

AUTO SECURITY BY AUDIOVOX

Model TSP-575

**REMOTE CONTROL AUTO SECURITY SYSTEM
WITH VOICE WARNING SYSTEM, PARKING LIGHT FLASHER, STARTER DISABLE,
GLASS BREAK DETECTOR & BUILT IN 2 - STAGE SHOCK SENSOR
INSTALLATION GUIDE & OWNER'S MANUAL**

**SYSTÈME DE SÉCURITÉ AUTOMOBILE À TÉLÉCOMMANDE AVEC SYSTÈME
AVERTISSEUR VOCAL, CLIGNOTEMENT DES FEUX DE POSITION,
INHIBITION DU DÉMARREUR, DÉTECTEUR DE BRIS DE VERRE ET CAPTEUR DE
CHOCS INCORPORÉ À DEUX ÉTAGES
GUIDE D'INSTALLATION ET D'UTILISATION**

**SISTEMA DE SEGURIDAD PARA AUTOMOVILES A CONTROL REMOTO,
CON SISTEMA DE ALARMA DE VOZ, DESTELLADOR DE LAS LUCES DE
ESTACIONAMIENTO, DESACTIVADOR DEL ARRANCADOR, DETECTOR DE ROTURA DE
VIDRIOS Y DETECTOR DE CHOQUE INCORPORADO DE 2 ETAPAS
GUIA DE INSTALACION Y MANUAL DEL PROPIETARIO**

INTRODUCTION

Your new TSP-575 Automotive Security System has been designed with many advanced features that will help to ensure the safety of your vehicle and it's contents. Taking a few moments to read this manual will provide you with important information required to take advantage of the system's full potential.

Performing the installation procedure in the order that the steps are outlined in this manual should provide you with a quick and trouble free installation, and remember, if you have questions at any time during the installation, call 1-800-225-6074 for the AUDIOVOX INSTALLATION HOT LINE.

TABLE OF CONTENTS

Mounting Components

Mounting the Siren Control Module.....	1
-Mounting the Hood and Trunk Pin Switches	
Mounting the Dash L.E.D. Indicator.....	2
-Mounting the Valet Toggle Switch	
-Mounting the (2) Relays	
Mounting the Glass Break Detector.....	3

Wiring the System

- Routing the Wiring Harness	
-Connecting the RED wire	
Connecting the BLACK wire.....	4
-Connecting the WHITE wire	
-Connecting the BROWN wire	
-Connecting the L.E.D.	
-Connecting the Valet Switch	
Connecting the DARK GREEN wire.....	5
-Connecting the Starter Disable Relay	
-Connecting the Parking Light Flasher Relay	
Connecting the Glass Break Detector Module.....	6
-2 Pin Door Lock Interface Connector	

Programming the Keychain Transmitter

Completing the Installation

-Thin BLACK wire	
-BLACK Loop wire	
-BLUE Loop wire	
WHITE Loop wire.....	7
-GREEN Loop wire	
-Final Touches	

Adjusting the Sensitivity of the Shock Sensor

Adjusting the Sensitivity of the Glass Break Detector

Operating the System

-Arming the System	
-Protection While the System is Armed.....	8
-Disarming the System	
-Disarming After an Intrusion	
-Decreasing the Sensitivity of the Shock Sensor	

Remote Panic Operation

Valet Switch Operation

Backing Up Alert

Replacing the Transmitter Battery

Troubleshooting.....

Schematic.....

.....10

INTRODUCTION

Votre nouveau Système de sécurité pour véhicule, Modèle TSP-575, a été conçu avec de nombreuses fonctions incorporant une technique pointue qui vous aideront à assurer la sécurité de votre véhicule et de son contenu. Les quelques moments que vous consacrerez à la lecture du présent manuel vous apporteront une quantité importante de renseignements nécessaires pour tirer le meilleur parti de toutes les possibilités du système. Si vous effectuez l'installation en suivant l'ordre des opérations indiquées dans le manuel, vous ne devriez rencontrer aucun problème et procéder rapidement. Souvenez-vous que si vous avez la moindre question à poser au cours de l'installation, vous pouvez appeler AUDIOVOX INSTALLATION—LIGNE D'URGENCE au 1-800-225-6074.

TABLE DES MATIÈRES

Montage des composants

Montage du module de commande de la sirène.....	11
- Montage des commutateurs à fiche du capot et du coffre	
Montage de l'indicateur D.E.L. du tableau de bord.....	12
- Montage de l'interrupteur à bascule de secours	
- Montage des deux (2) relais	
Montage du détecteur de bris de verre.....	13

Câblage du système

- Acheminement du faisceau de conducteurs	
- Connexion du fil ROUGE	
Connexion du fil NOIR.....	14
- Connexion du fil BLANC	
- Connexion du fil BRUN	
- Connexion de la D.E.L.	
- Connexion de l'interrupteur de secours	
Connexion du fil Vert Foncé.....	15
- Raccordement du relais d'inhibition de démarreur	
- Connexion du relais Dispositif de Clignotement Des Feux De Position	
Raccordement du module détecteur de bris de verre.....	16
-Connecteur à deux fiches pour interface de verrouillage des portes	

Programmation des transmetteurs de porte-clés

Achèvement de l'installation

- Fil NOIR fin	
- Fil en boucle NOIR	
- Fil en boucle BLEU	
Fil en boucle BLANC.....	17
- Fil en boucle VERT	
- Détails de finition	

Réglage de sensibilité du détecteur de vibrations

Réglage de la sensibilité du détecteur de bris de verre

Fonctionnement du système

- Armement du système	
Protection pendant que le système est armé.....	18
- Désarmement du système	
- Désarmement après une intrusion	
- Diminution de la sensibilité du détecteur de vibrations par le transmetteur du porte-clés	
- Télécommande du système anti-panique	
- Fonctionnement de l'interrupteur de secours	
Avertisseur de marche arrière.....	19
- Remplacement des piles de transmetteurs	

Dépannage

Schémas.....

.....20

INTRODUCCION

Su nuevo Sistema de Seguridad para Automóviles TSP-575 está diseñado con muchas funciones de avanzada que le ayudarán a garantizar la seguridad del vehículo y su contenido. Dedique un tiempo a leer este manual a fin de obtener información importante que le servirá para aprovechar al máximo la capacidad potencial del sistema. Si sigue el procedimiento de instalación en el orden que se describen los pasos en el presente manual, podrá realizar la instalación rápidamente y sin dificultad alguna, y recorde que en caso de tener alguna pregunta o duda en cualquier momento de la instalación, puede llamar al 1-800-225-6074 que es el teléfono sin cargo de información sobre instalación de Audiovox.

INDICE

Instalación del los componentes

Instalación del módulo de control de la sirena.....	21
-Instalación de los interruptores de clavija del capó y el baúl	
Instalación del indicador L.E.D. en el tablero de instrumentos.....	22
-Instalación del interruptor de palanca del modo valet	
-Instalación de los (2) relés	
Instalación del detector de rotura de vidrios.....	23

Cableado del sistema

- Colocación del ames de cables	
-Conexión del cable ROJO	
Conexión del cable NEGRO.....	24
- Conexión del cable BLANCO	
-Conexión del cable MARRON	
-Conexión del L.E.D.	
-Conexión del interruptor del modo valet	
Conexión del cable verde oscuro.....	25
- Conexión del relé de desactivación del arrancador	
- Conexión del relé- Funcion de destello de las luces de estacionamiento	
-Conexión del módulo detector de rotura de vidrios.....	26
-Conector de 2 clavijas para interconexión con la cerradura de la puerta	

Programación de los transmisores de llavero

Terminación de la instalación

-Cable fino NEGRO	
-Cable en bucle NEGRO	
-Cable en bucle AZUL	
Cable en bucle BLANCO.....	27
-Cable en bucle VERDE	
-Toques finales	

Ajuste de la sensibilidad del detector de choque

Ajuste de la sensibilidad del detector de rotura de vidrios

Operación de sistema

-Activación del sistema	
Protección mientras el sistema está activado.....	28
-Desactivación del sistema	
-Desactivación después de una intrusión	
-Reducción de la sensibilidad del detector de choque por medio del transmisor de llavero	
-Operación a la distancia en caso de emergencia	
-Operación del interruptor del modo valet	
- Alerta de reserva	
Cambio de la pila del transmisor.....	29

Resolución de problemas

Diagrama esquemático.....

.....30

MOUNTING THE COMPONENTS

1. Mounting The Siren Control Module

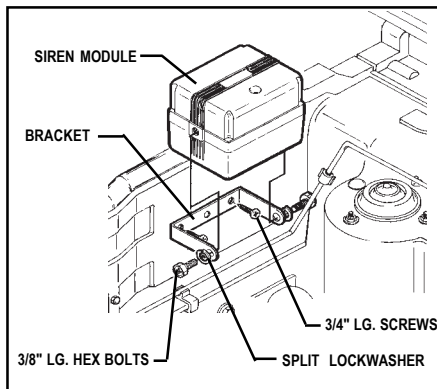
Select a flat, metal surface within the engine compartment, but not on the engine, for the siren control module. Keep in mind that the horn end must be facing down to prevent water from entering the module.

A location on the firewall, which is not easily accessible from underneath the vehicle, is preferred. This location will provide optimum operation of the shock sensor, and prevent the potential thief from disconnecting the alarm from below the vehicle.

You should also locate the control module away from hot or moving components within the engine compartment, and avoid areas where water will run off or collect during heavy rainstorms.

To mount the siren control module;

- A. Secure the module mounting bracket to the selected location using the (2) 3/4" long screws provided. Carefully drill a 1/8" diameter pilot hole for starting the screws.
- B. In most cases, if the bracket has been secured to a solid metal surface, you can connect the BLACK wire from the wiring harness to the siren mounting bolt. Using a 10 mm wrench or socket, secure the siren module (and eyelet terminal on the end of the BLACK wire) to the bracket using the (2) 3/8" long hex head bolts and (2) split lock washers provided.



2. Mounting the Hood and Trunk Pin Switches

Two pin switches are provided to protect the hood and trunk lids of the vehicle, and should be used on any hood or trunk lid that does not turn a courtesy light on. The switches must always be mounted into a grounded metal part of the vehicle, as they simply will not operate when mounted into plastic or fiberglass.

The mounting surface must be at a height that will cause the plunger to depress 1/4" when the hood or trunk lid is closed.

IMPORTANT! Since the pin switch is designed to be depressed when the hood / trunk lid is closed onto it, a dimple can occur on the exterior paint surface if the switch is mounted where it will contact a single metal thickness area of the hood / trunk lid. Always mount the pin switch where it will contact a double wall area of the hood / trunk lid.

When choosing the pin switch mounting location, it is important to position the switch and/or bracket where water cannot collect or flow. Avoid all drip " gutters " on hood / trunk fenders. Look for locations that are sealed with rubber gaskets when the hood / trunk lid is closed. Excessive water on these parts will cause corrosion, resulting in a loss of protection to the hood / trunk lids. Also, any holes made to mount the switches will rust when water is allowed to penetrate. There are three different mounting methods available. They are;

1. Direct mounting into a trunk lip, radiator cross brace, etc.

- A. Drill a 1/4" diameter hole into the selected mounting surface. Be sure there is adequate clearance behind the surface for the pin switch.
- B. Thread the pin switch into the hole using a 7/16" wrench or deep well socket.

2. Mounting using the right angled bracket

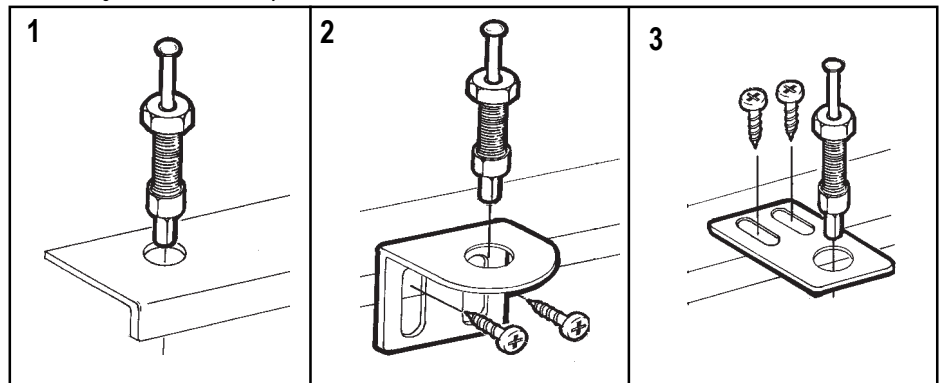
- A. Secure the bracket to the desired mounting surface using (2) sheet metal screws.
- B. Screw the pin switch into the bracket.

NOTE : The height of the pin switch can be adjusted by loosening the screws and sliding the bracket up or down.

3. Mounting using the flat bracket.

- A. Secure the bracket to the mounting surface using (2) sheet metal screws.
- B. Screw the pin switch into the bracket.

NOTE : This bracket can be bent to accommodate specific mounting requirements.



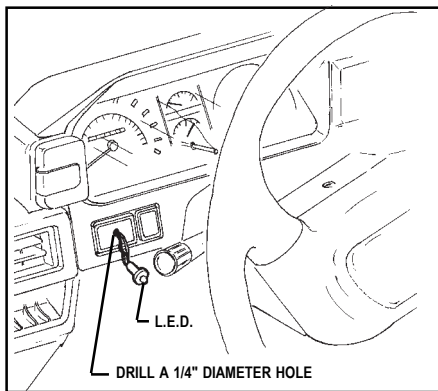
3. Mounting The Dash L.E.D. Indicator

Select an area on the dashboard or center console that will provide the most visibility from all angles outside the vehicle (driver's window, passenger's window, rear window, etc.).

IMPORTANT ! Make sure there is adequate room for the body of the L.E.D. behind the panel in the selected location. You should also be sure that the drill will not pierce any wires, or damage other components after passing through the panel. It is always best to remove the panel from the vehicle before drilling the hole.

To mount the L.E.D.;

- A. Drill a 1/4" diameter hole at the selected mounting location.
- B. Pass the L.E.D. wires through the hole from the front of the panel, and press the body of the L.E.D. into the hole until fully seated.



4. Mounting the Valet Toggle Switch

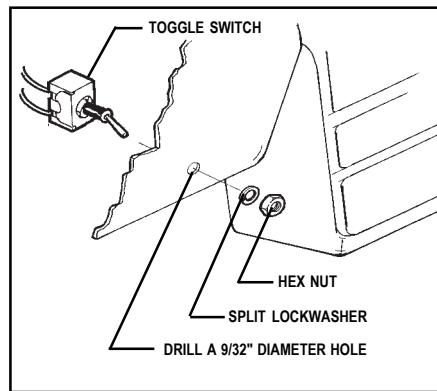
Select a flat area on the lower dash lip, where the switch is readily accessible to the driver, but will not be accidentally bumped. Other alternate locations are on the driver's side kick panel, or the side of the lower steering column cover.

Since this is a " protected " (will only operate when the key is in the ignition) bypass switch, it does not have to be concealed, however concealing the switch is always recommended, as this provides an even higher level of security to the vehicle.

IMPORTANT ! Make sure there is adequate room behind the panel for the body of the switch in the selected location. You should also be sure that the drill will not pierce any wires, or damage other components after passing through the panel. It is always best to remove the panel from the vehicle before drilling the hole.

To mount the valet bypass switch;

- A. Drill a 9/32 " diameter hole in the selected switch location.
- B. Pass the switch through the hole from behind the panel, and secure from the front using the split lockwasher and hex nut provided.

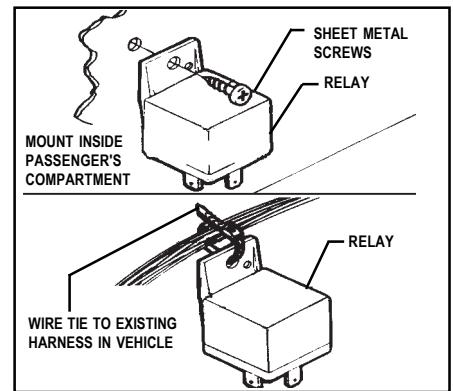


5. Mounting the (2) Relays

The relays can be mounted in the engine compartment, but it is best to mount the starter cut relay in the passenger's compartment, where it will not be exposed to the environment. The relay that will be used to disable the vehicle's starter should be mounted close to the wires coming from the ignition switch. The relay that will be used to flash the vehicle's parking lamps should be mounted near one of the front parking light clusters.

To mount the relays;

- A. Screw the relay to the mounting surface, using a sheet metal screw through the hole in the relay mounting tab.
- B. Secure the relay to an existing wire harness or other component using cable ties.

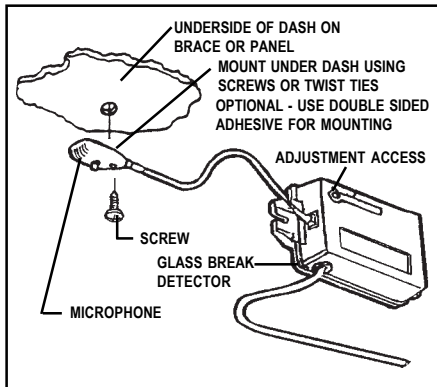


6. Mounting the Glass Break Detector

The glass break detector module should be mounted behind the dashboard, in an area that will allow the extension cable from the microphone to be plugged in. The microphone should be mounted on the lower dash lip, pointing toward the rear of the vehicle. Mounting the microphone to hard plastic panels or plastic air conditioning ducts is not recommended, as normal expansion and contraction of plastics may cause enough noise to create a false trigger. You should also mount the microphone below eye level, as the red L.E.D. will flicker on and off whenever a sharp noise is detected.

To mount these components;

- A. Use the screws or wire ties to mount the glass break module behind the dashboard.
- B. Mount the microphone using the enclosed screw, or an optional double sided adhesive pad.
- C. Plug the microphone cable into the glass break module, and secure the cable along it's path using wire ties.



WIRING THE SYSTEM

Making the connections to the vehicle, as described in this wiring section, may be beyond the technical abilities of the average consumer. If you have any questions with the wiring procedures, please call a qualified automotive technician, or call the AUDIOVOX HOT LINE at 1 -800 -225 -6074. Prior to making any connections, a 12 Volt logic probe should be used to confirm the proper connection point.

IMPORTANT! The 9 pin white connector on the end of the main harness that plugs into the siren control module should remain disconnected during the wiring portion of the installation. Leaving this disconnected will ensure that the keychain transmitters are properly programmed later in the installation.

1. Routing The Wiring Harness

The DARK BLUE, GRAY, ORANGE, BROWN, and WHITE wires must be routed through the firewall, and into the passenger compartment of the vehicle.

In most cases, the RED wire will also be routed into the passenger compartment, to the courtesy light fuse. Before proceeding with the wire routing, verify the location of the courtesy light fuse, as a small percentage of vehicles locate this fuse in the engine compartment, and in these cases, it will not be necessary to route the RED wire through the firewall.

If you have installed a pin switch into the trunk, you will also need to route the DARK GREEN extension wire through the firewall, and to the previously installed trunk pin switch.

After confirming these component locations, route the DARK BLUE, WHITE, GREY and RED wires towards their connection points. Caution should be used when routing wires. Keep wires away from all hot surfaces, and any moving parts of the vehicle (radiator fans, accelerator or brake pedal linkage, etc.).

When routing wires through the firewall, be sure to pass the wires through an existing rubber grommet. Failure to do this can result in damage to wires from sharp metal edges, and an eventual failure of the security system.

2. Connecting the RED Wire

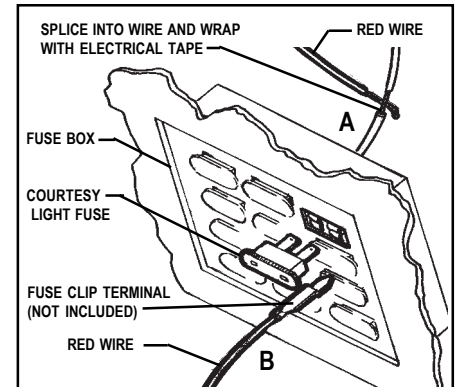
Locate the courtesy lamp fuse. Both sides of the fuse will indicate + 12 Volts on the logic probe while the fuse is plugged in. Remove the fuse, and test the contacts that the fuse plugs into. One of the contacts will not indicate + 12 Volts. This is where the RED wire will be connected.

Connection Method A;

- A. Locate the wire coming from this fuse terminal at the back of the fusebox.
- B. Splice the RED wire from the harness to this wire, and insulate with electrical tape.

Connection Method B;

- A. " Fuse clip " terminals, which will plug in with the contacts of the fuse, are available at most electronics stores. This method of connection may be easier in some vehicles.
- B. Refer to the specific instructions included with the fuse clip terminals.



3. Connecting the BLACK Wire

The larger BLACK wire (not the thin black antenna wire), should have been connected to ground during the siren module mounting procedure. If you were unsure of the ground reliability of the siren module mounting bracket, you can connect the eyelet on the end of the BLACK wire to any non painted bolt on the firewall or fender, which is threaded directly into a metal surface of the vehicle.

4. Connecting the WHITE wire

Locate a fuse in the vehicle's fusebox that shows + 12 volts on the logic probe when the ignition key is switched to the " ON " or " RUN " position, and shows 0 volts when the key is switched to the " OFF " position (radio or wiper fuse).

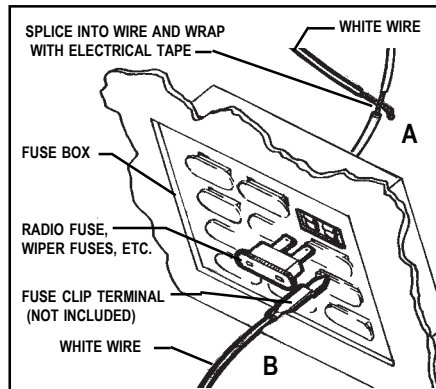
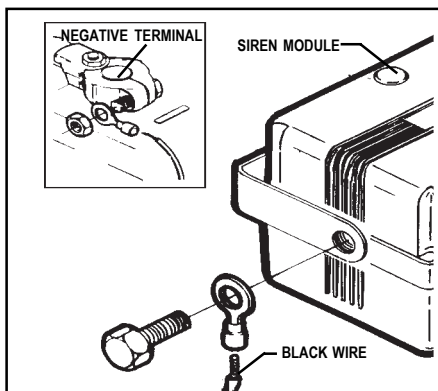
After you have located a suitable fuse, switch the ignition key to the " ON " position, remove the fuse, and probe the contacts where the fuse plugs into. One of the contacts will not show 12 volts on the logic probe; this is where the WHITE wire will be connected.

Connection Method A;

- A. Locate the wire coming from this fuse terminal at the back of the fusebox.
- B. Splice the WHITE wire from the harness to this wire, and insulate with electrical tape.

Connection Method B;

- A. " Fuse clip " terminals, which will plug in with the contacts of the fuse, are available at most electronics stores. This method of connection may be easier in some vehicles.
- B. Refer to the specific instructions included with the fuse clip terminals.



Page 4

5. Connecting the BROWN wire

Continue to route the BROWN wire (along with the DARK GREEN wire for connection to the trunk pin switch) to the back of the vehicle, and remove the panels to gain exposure to the reverse lights.

Switch the ignition key to the " ON " position (DO NOT START THE VEHICLE), set the parking brake, and move the gear shift selector to reverse. Move to the back of the vehicle, and verify that the back up lights are on.

Probe the wires going to the back up light bulb, and locate the wire that shows + 12 volts on the logic probe. Move the gear shift selector back to the park position, and verify that this same wire now shows 0 volts. This is where the BROWN wire will be connected.

Splice the BROWN wire to this wire, and insulate with electrical tape.

6. Connecting the L.E.D.

6a. Connecting the DARK BLUE wire

Connect the DARK BLUE wire from the main harness to the BLUE wire from the dash mounted L.E.D. Be sure to insulate this connection with electrical tape.

6b. Connecting the RED wire from the L.E.D.

Splice the Red wire from the dash mounted L.E.D. to the larger RED wire from the main harness. Be sure to insulate this splice with electrical tape.

7. Connecting the Valet Switch

7a. Connecting the GRAY wire

Connect the GRAY wire from the main harness to the GRAY wire from the Valet Switch. Be sure to insulate this connection with electrical tape.

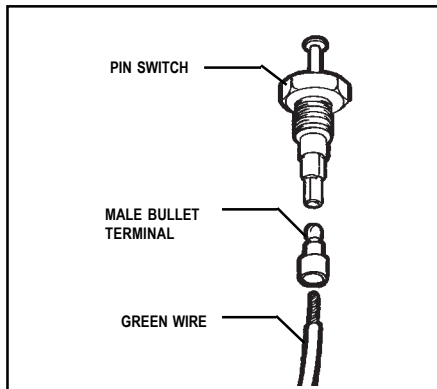
7b. Connecting the BLACK wire from the Valet Switch

Connect the BLACK wire from the Valet Switch to a solid, grounded, metal part of the vehicle. It can be connected to any metal, non - painted bolt that screws into the inner frame in the kick panel.

8. Connecting the DARK GREEN wire

Trim the DARK GREEN wire to the proper length, strip 1/4 " of the insulation, and crimp one of the male bullet terminals provided onto the end of the wire. Plug the bullet terminal onto the receptacle at the bottom of the hood pin switch.

If you have installed a trunk switch, you should have already routed the DARK GREEN extension wire to the rear of the vehicle. Crimp the other bullet terminal onto the end of the extension, and plug it onto the bottom of the trunk pin switch. You will also need to splice the other end of the DARK GREEN extension wire to the DARK GREEN wire from the main harness, and insulate the splice with electrical tape.



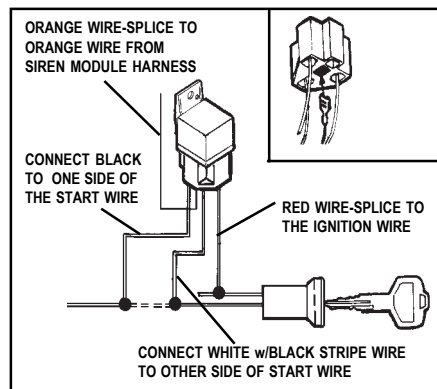
9. Connecting the Starter Disable Relay

IMPORTANT! The relay has been shipped with (1) BLACK wire loose. When using the relay to disable the starter, load the BLACK wire into the relay connector in the location shown in the diagram.

- 9a. Connect the ORANGE wire from the relay harness to the ORANGE wire from the main harness. Be sure to insulate this splice with electrical tape.
- 9b. Gain access to the wires coming from the ignition switch. Connect the RED wire from the relay harness to the wire from the ignition switch that shows + 12 volts on the logic probe when the key is switched to the " ON or RUN " and " START " positions, and shows 0 volts when the key is switched to the " OFF " position. Be sure to insulate this connection with electrical tape.
- 9c. Locate the wire coming from the ignition switch that shows + 12 volts on the logic probe when the starter motor is cranking, and shows 0 volts when the key is switched to the " OFF ", " ACCESSORY ", and " ON or RUN " positions. Cut this wire and try to start the vehicle to verify that the starter motor will not engage.

Connect the WHITE w/ BLACK stripe wire from the relay harness to one side of the cut starter wire, and connect the BLACK wire to the other side of the cut wire.

CAUTION! Be sure these wires are securely connected, and properly insulated. If this connection separates, the vehicle will not start, even when using the ignition key.

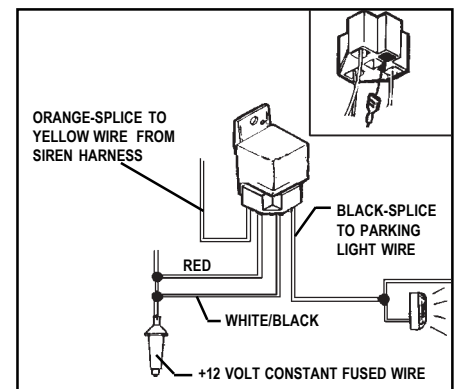


Page 5

10. Connecting the Parking Light Flasher Relay

IMPORTANT! The relay has been shipped with (1) BLACK wire loose. When using the relay to flash the vehicle's parking lights, load the BLACK wire into the relay connector in the location shown in the diagram.

- 10a. Connect the ORANGE wire from the relay harness to the YELLOW wire from the main harness. Be sure to insulate this splice with electrical tape.
- 10b. Gain access to the wires coming from the back of one of the front parking lamp sockets. Switch the parking lights on, and locate the wire that shows + 12 volts on the logic probe. Switch the parking lights off, and verify that this wire now shows 0 volts. Connect the BLACK wire from the relay socket to this wire, and insulate the connection with electrical tape.
- 10c. Connect both the RED wire from the relay socket and the WHITE w/ BLACK stripe wire from the relay socket to a + 12 volt battery fused wire (minimum 15 Amp fuse) in the vehicle. These wires can be connected to the positive battery terminal, however when connecting them to the positive battery terminal, you must add an in line fuse of at least 15 Amps. Connect one side of the fuse to the positive battery terminal, and the other side of the fuse to the RED and WHITE w/ BLACK stripe wires from the relay connector.



11. Connecting the Glass Break Detector Module

- A. Connect the RED wire from the glass break detector module to the RED wire from the main siren control module harness.
- B. Connect the BLACK wire from the glass break detector module to the BLACK wire from the main siren control module harness, or to a solid, metal, chassis ground source.
- C. Connect the WHITE wire from the glass break detector module to the DARK GREEN wire from the main siren control module harness.

12. 2 Pin Door Lock Interface Connector

There is an additional 2 pin connector coming out of the siren control module, with a RED and a BLACK wire. This connector is used for the optional door lock interface, which will remotely lock and unlock your vehicle's existing power door locks when arming and disarming. Only the AA 9158 door lock interface should be used with this alarm. If you are not installing the door lock interface, do not make any connections to these two wires.

PROGRAMMING THE KEYCHAIN TRANSMITTERS

The two keychain transmitters that are included with this system are a "code learning" type Radio Frequency transmitter, which simply means that the siren control module will learn and remember the individual code number of each transmitter. The siren control module will learn the individual codes of (2) transmitters only. An attempt to program a third transmitter will erase the code number of the first transmitter programmed.

IMPORTANT! Save these programming instructions in a place where you can easily find them in the future. Whenever the vehicle's battery is disconnected for servicing, the transmitters will need to be reprogrammed.

To Program the Transmitters;

- A. The main harness connector should be disconnected from the siren control module at this step of the installation procedure. If it is not, unplug the connector.
- B. Be sure to have both keychain transmitters in hand, then plug the main harness connector into the siren control module. You should hear a short "chirp" from the siren.
- C. Press and hold the larger arming button on transmitter number 1 until the siren sounds one long "chirp".
- D. Immediately press and hold the larger arming button on transmitter number 2 until the siren sounds one long "chirp".
- E. Both transmitters should now be programmed. You can test this by pressing the arming button on each transmitter, which will result in the appropriate "ARMED" or "DISARMED" indication from the siren module.

IMPORTANT! If only one transmitter is operating, repeat the programming procedure. Once the harness connector is plugged in, you have only 15 seconds in which to program both transmitters. This short time window is required in order to provide a high level of security.

COMPLETING THE INSTALLATION

You will notice (5) additional wires, which come directly out of the rubber wire exit boot from the siren control module, and are not part of the main harness. These wires are used to customize the installation, and are required in some vehicles.

1. Thin BLACK Wire

This is the antenna wire for the receiver that is built into the siren control module. Fully extend this wire, and route it as high in the engine compartment as possible, for maximum transmitter range.

2. BLACK Loop Wire

This pair of wires exits the rubber boot, and are terminated with 1/8" mating male and female spade connectors.

This system can be programmed to arm actively or passively. Insurance discounts are usually larger for passive arming security systems.

Active arming means that the security system will only arm when the transmitter button is pressed. To select the active arming feature, simply plug the two terminals on the BLACK wire loop together.

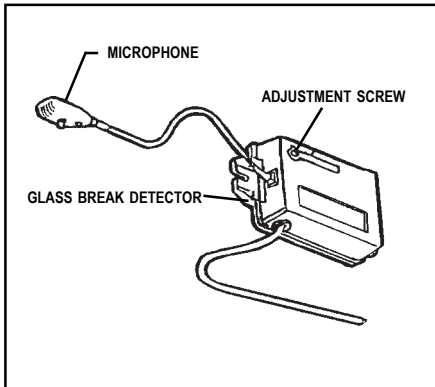
Passive arming means that the security system will automatically arm 60 seconds after the ignition key has been switched off. You still have the option of arming the system immediately by pressing the transmitter button, but if you forget to do this, the system will automatically arm and provide full protection to the vehicle. To select the passive arming feature, be sure the two terminals on the BLACK wire loop are disconnected, and individually insulate each end with electrical tape.

3. BLUE Loop Wire

This wire exits the rubber boot, and immediately loops back into the rubber boot.

The siren control module is programmed at the factory for voice activation. If you wish to eliminate the voice response of the system (replace the word "ARMED" with one single "chirp" - replace the word "DISARMED" with two "chirps" - replace the word "INTRUSION" with four "chirps" - and replace the words "ATTENTION, BACKING UP" with "three chirps..pause..three chirps..etc."), simply cut this blue wire loop, and individually insulate both sides with electrical tape.

NOTE: The "ATTENTION INTRUSION" voice message during the 60 second alarm cycle will always be active. There is no way to eliminate this voice message.



4. WHITE Loop Wire

This wire exits the rubber boot, and immediately loops back into the rubber boot.

Three minutes after the alarm has been armed, the voltage sensing circuitry becomes active. This voltage sensing monitors the voltage level of the vehicle, and when it sees a change (i.e. a door opens, and the interior light turns on), the alarm is triggered.

Many vehicles incorporate an electronic cooling fan, which will automatically switch on after the vehicle has been turned off. If this fan switches on shortly after the alarm has been armed, the system will not trigger due to the three minute delay.

If your vehicle does not have an electronic cooling fan which turns on after the vehicle has been turned off, you may elect to bypass the three minute arming delay of the voltage sense circuit. The system can be modified so that six seconds after arming, the voltage sensing circuitry becomes active. The three minute time delay can be eliminated by cutting the WHITE wire loop. After cutting the WHITE wire loop, individually insulate both ends of the wire with electrical tape.

Do not cut this loop if your vehicle is equipped with an electronic cooling fan, as you will experience false alarms.

5. GREEN Loop Wire

This wire exits the rubber boot, and immediately loops back into the rubber boot.

Cutting this wire will eliminate the voltage sensing feature of the alarm. When this wire is cut, opening the doors will not trigger the system.

This loop wire should be cut only if you want to protect the vehicle from sudden impacts to the glass or body panels, but do not want the alarm to trigger when a door has been opened.

6. Final Touches

If there are any wires from the main harness that you did not connect, simply because you did not wish to activate a particular feature, you should either insulate the ends of these wires with electrical tape and tie them where they cannot be damaged, or simply remove any unused wires from the main harness connector.

ADJUSTING THE SENSITIVITY OF THE SHOCK SENSOR

The purpose of a shock detector is to "sense" strong impacts to the vehicle's glass and body panels, but ignore light bumps to the vehicle. This alarm is programmed to report these impacts in two ways.

A lighter impact will cause the alarm to sound a series of short "chirps",

warning anyone tampering with the vehicle to stop immediately.

A more forceful impact will cause the alarm to sound for its full 60 second cycle, informing you that a serious violation attempt has occurred.

IMPORTANT ! Setting the sensitivity of the shock sensor too high will cause false alarms. A substantial amount of force is required to actually break automotive glass, and the shock sensor should be set accordingly.

Before proceeding with the adjustment, make sure that all screws securing the siren control module to the bracket, and securing the bracket to the vehicle, are securely tightened.

To adjust the shock sensor;

A. Locate and remove the small rubber plug on the back of the siren control module.

B. Gently turn the adjustment screw fully counter - clockwise, then clockwise approximately 1/8 of a turn. Do not over turn this screw, as maximum rotation is approximately 270°. You should stop applying pressure as soon as you feel a slight amount of resistance.

C. Close the hood, arm the alarm (ARMED or " 1 CHIRP "), and allow six seconds for the shock sensor to stabilize.

D. Firmly strike the front bumper of the vehicle with the side of a closed fist, considering the amount of force required to break a window.

CAUTION ! Never perform this test on the vehicle's glass, as you may break a window.

E. If the alarm did not sound, or if only the warning chirps were activated, then the sensitivity will need to be increased. Disarm the alarm, and open the hood to gain access to the siren control module.

F. Gently turn the adjustment screw approximately 1/8 turn clockwise (increasing sensitivity), and repeat the test.

G. Repeat this procedure until a firm strike causes the alarm to trigger, and a less forceful impact causes the alarm to sound the warning chirps.

H. When the adjustment is set, replace the rubber plug on the back of the siren module.

ADJUSTING THE SENSITIVITY OF THE GLASS BREAK DETECTOR

The alarm does not need to be armed when adjusting the sensitivity of this sensor. Simply observe the red L.E.D. on the microphone while making the adjustments.

A. Gently turn the adjustment screw counterclockwise until a slight

resistance is felt, then turn it clockwise about 1/4 rotation.

B. Observe the L.E.D., move to the inside rear of the vehicle, and firmly clap your hands two quick times.

C. If the L.E.D. turned on briefly, no further adjustment is necessary.

D. If the L.E.D. did not turn on, gently turn the adjustment screw another 1/8 rotation clockwise, and repeat the test. Continue until the adjustment is properly set.

IMPORTANT ! Do not set the sensitivity too high, as doing so will cause false alarms created by noises outside the vehicle. The sensitivity should be set to detect the loud sound of breaking glass within the automobile.

OPERATING THE SYSTEM

In this section, the operation of the system is described according to the voice messages that are programmed into the siren control module. The equivalent chirp tones are shown in parenthesis for those users that have disabled the voice (see blue wire loop).

1. Arming the System

A. Exit the vehicle, and close and lock all doors.

B. Press and release the larger arming button on the keychain transmitter. The system will respond with "ARMED" (one single chirp), and the parking lights will flash one time.

C. The red dash mounted L.E.D. will begin to flash, and after approximately six seconds, the shock sensing feature of the system will be activated. The voltage sensing circuit will begin its countdown, and after approximately three minutes, opening a light activated door will trigger the alarm.

D. If the system has been installed using the automatic passive arming feature, then 60 seconds after switching the ignition key off, the alarm will automatically arm providing the hood and trunk lids are closed. During the 60 second automatic arming cycle, the dash mounted L.E.D. will flash rapidly.

IMPORTANT ! If the WHITE loop wire was cut during the installation procedure, the voltage sensing feature of the alarm will become active six seconds after arming the system (see COMPLETING THE INSTALLATION, WHITE Loop Wire). You will not need to wait the three minutes before opening a door will cause the alarm to trigger.

2. Protection While the System is Armed

- A. Opening a door (or any light activated entry point), will cause the alarm to immediately sound for the complete 60 second alarm cycle. The parking lights will flash on and off continuously during the 60 second alarm cycle.
- B. Whenever the system is armed, any unauthorized attempt to start the vehicle will be prevented.
- C. While the system is armed, the red dash mounted L.E.D. will constantly flash, discouraging any would be thieves.
- D. Any light impact to the vehicle glass or body panels will cause the system to immediately sound the warning chirps, discouraging any further attempts to enter the vehicle.
- E. Any forceful impact to the vehicle will cause the system to immediately sound the alarm and flash the parking lights for the complete 60 second alarm cycle. At the end of the cycle, the alarm will re - arm itself, and resume monitoring the vehicle.
- F. As a backup, if you have remotely shut the shock sensor off, the glass break detector will hear the noise made by breaking glass, and sound the alarm for the complete 60 second cycle.

3. Disarming the System

- A. When you return to the vehicle, press and release the larger arming button on the keychain transmitter. The system will respond with " DISARMED " (two chirps), and the vehicle's parking lights will flash two times.
- B1. If the alarm has been wired for ACTIVE operation, then the red dash mounted L.E.D. will turn off, indicating that the system is disarmed, and it is safe to enter the vehicle.
- B2. If the alarm has been wired for PASSIVE operation, then the red dash mounted L.E.D. will begin to flash rapidly, indicating that the system is disarmed, but in the automatic re - arming mode. Within 60 seconds of disarming the system, you will need to turn the ignition key to the on position to stop the system from re - arming.

4. Disarming After an Intrusion

When disarming, if the system responds with " INTRUSION " (four chirps), and the vehicle's parking lights flash three times, you are being alerted that the alarm was triggered during your absence. Additionally, the red dash mounted L.E.D. will blink 3 times .. pause .. blink 3 times .. etc., to provide an added visual indication that the alarm had been triggered. These intrusion indicators are stored in the system's memory, and will only be erased when the ignition key is switched on.

5. Decreasing the Sensitivity of the Shock Sensor via the Keychain Transmitter

There may be some circumstances when you will want to arm the system, but decrease the sensitivity of the shock sensor, or simply turn the shock sensor off. This feature can be useful during extreme thunderstorms, or when parking on or near heavy construction sites.

To arm and decrease shock sensitivity,

- A. Follow the normal arming procedure by pressing the larger button on the keychain transmitter.
- B. Immediately after arming, press and release the smaller button on the keychain transmitter.
- C. In approximately five seconds, the siren will sound one long chirp, indicating that the sensitivity of the shock sensor has been reduced 30 percent.

To arm and turn the shock sensor off,

- A. Follow the normal arming procedure by pressing the larger button on the keychain transmitter.
- B. Immediately after arming, press and release the smaller button on the keychain transmitter two times.
- C. In approximately five seconds, the siren will sound one short chirp, followed by one long chirp, indicating that the shock sensor has been turned off.

IMPORTANT ! Any time the shock sensor has been adjusted using the keychain transmitter, disarming then re arming the system will return the shock sensor to its normal operating sensitivity.

6. Remote Panic Operation

The alarm can be activated via the keychain transmitter to draw attention to your vehicle during an emergency situation.

To activate the panic feature;

- A. Press and hold the larger button on the keychain transmitter for 3 seconds.
- B. The alarm will sound, and the parking lights will flash for the full 60 second alarm cycle.
- C. To silence the alarm before the 60 second shutdown, press and release the larger button on the keychain transmitter.

WARNING ! In most areas, it is illegal to activate the alarm while the vehicle is moving. For the safety of your passengers and other motorists, do not activate the alarm while your vehicle is in motion.

7. Valet Switch Operation

If you lose or misplace your keychain transmitter, or if the transmitter fails to disarm the system, an emergency bypass switch is included to temporarily disarm the system. To use the switch;

- A. Open the driver's door. The alarm will sound !
- B. Insert the key into the ignition switch, and turn it to the "on" position.
- C. Move the valet switch to the "ON" position. The alarm will disarm, and the vehicle can now be started.
- D. The dash mounted L.E.D. will turn on solid, and remain on until the system is switched out of valet mode.

When in the valet mode, all functions of the system are inoperative, and the system cannot be armed until it is switched out of valet. The panic feature, and the optional keyless entry feature will operate when the system is in the valet mode.

To switch out of the valet mode;

- A. Turn the ignition key to the "on" position, then move the valet switch to the "OFF" position.
- B. The dash mounted L.E.D. will turn off, and the system will return to normal operation.

8. Backing Up Alert

For additional safety, especially in residential areas, the system includes a back up alert.

Any time the vehicle is running, and the gear shift selector is moved to reverse, the system responds with " ATTENTION BACKING UP " (3 chirps...pause...3 chirps), and repeats this message until the vehicle is shifted out of reverse.

9. Replacing the Transmitter Battery

The keychain transmitters have a small, red L.E.D. visible through the top cover. This L.E.D. can be used to indicate battery condition. You will also notice a decrease in effective transmitter range as the battery deteriorates.

The replacement battery must be a 12 volt type GP23A or equivalent.

To replace the transmitter battery;

- A. Remove the small phillips head screw from the bottom of the transmitter, and carefully pry the top cover (button side) away from the transmitter.
- B. Remove the discharged battery, making note of the orientation of the + and - contacts, and dispose of properly.
- C. Install the new battery, taking care to place the + and - contacts in the correct position.
- D. Replace the transmitter cover, taking care not to damage the L.E.D. or switches on the circuit board.
- E. Replace the small phillips head screw through the bottom of the transmitter.

TROUBLESHOOTING :

Symptom : The siren does not chirp when the harness is first plugged in.

Check :

- A. Verify that the fuse in the red wire from the siren control module is in good condition. Replace it if it is blown.
- B. Verify that the connections of the red and black wires have been made according to the wiring section of this manual.

Symptom : The transmitters will not program to the siren control module.

Check :

- A. You have only 15 seconds after applying power to the siren control module in which to program both transmitters.

Symptom : The alarm will not arm and disarm using the keychain transmitter.

Check :

- A. Verify the transmitter battery is in good condition. Try both transmitters. Replace the transmitter battery if necessary.
- B. Verify that the transmitter is programmed to the siren control module. When the vehicle's battery is disconnected, or when power is removed from the siren control module, the transmitters need to be re-programmed. Follow the programming instructions in this manual.
- C. Verify that the fuse in the red wire from the siren control module is in good condition. Replace it if it is blown.
- D. Verify that the connections of the red and black wires have been made according to the wiring section of this manual.

Symptom : The alarm will not sound when opening the hood or trunk lid where a pin switch was added.

Check :

- A. Verify the pin switch is set to the proper height. The plunger of the switch must depress 1/4" when the hood or trunk lid is closed.
- B. You must wait approximately 10 seconds after arming before the pin switch circuit is activated.
- C. Verify that the pin switch and/or pin switch bracket is mounted to a grounded metal surface of the vehicle.

Symptom : The alarm will not sound when opening a door that turns a courtesy light on.

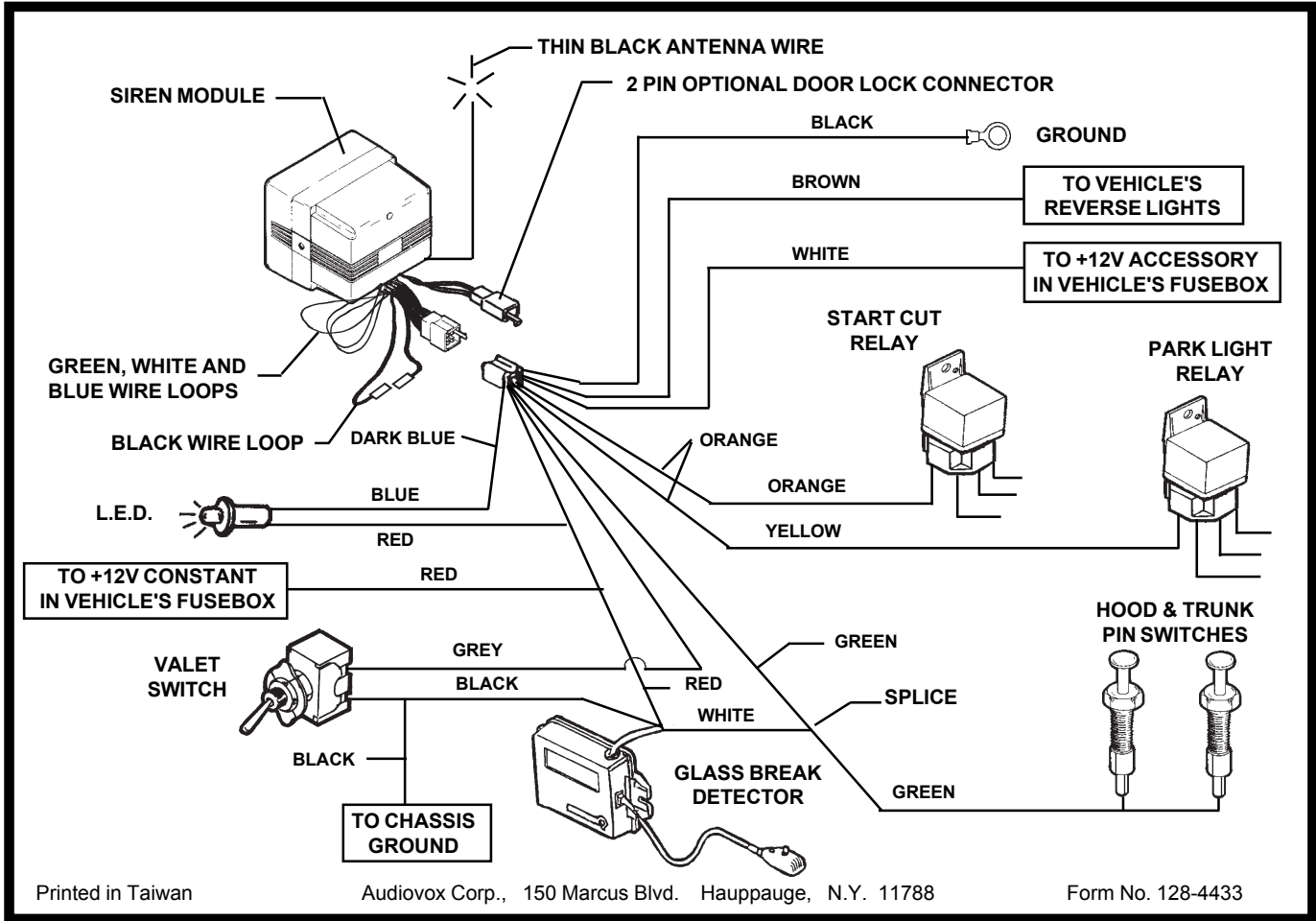
Check :

- A. Verify that the light selector switch is in the door position.
- B. Verify that the dome light bulb turns on. The alarm will only sound if the bulb turns on. Replace the bulb if it is not turning on.
- C. There is a 3 minute delay after arming, before the courtesy light sensing circuit of the alarm is energized. Make sure that the full 3 minutes has elapsed.

Symptom : The bypass switch will not disarm the alarm.

Check :

- A. The ignition key must be turned to the on position before activating the switch.
- B. Verify the connections to the GRAY wire, BLACK wire from the switch, and WHITE wire from the main harness. Repair the connections if necessary.



MONTAGE DES COMPOSANTS

1. Montage du module de commande de la sirène

Choisir une surface métallique plane à l'intérieur du compartiment du moteur, mais qui ne soit pas sur le moteur, pour monter le module de commande de la sirène. Il faut garder à l'esprit que le côté de l'avertisseur doit être tourné vers le bas pour empêcher que l'eau ne pénètre dans le module.

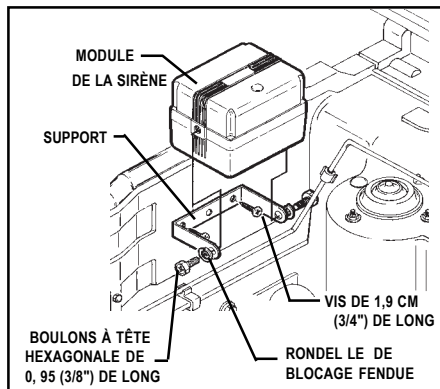
Un emplacement sur la cloison pare-feu à laquelle on ne peut accéder depuis le dessous du véhicule est préférable. Un tel emplacement fournit des conditions de fonctionnement optimales au capteur de vibrations et empêche tout malfaiteur éventuel de déconnecter l'alarme par le dessous du véhicule.

Il faut aussi que le module de commande soit placé aussi loin que possible des composants chauds ou mobiles à l'intérieur du compartiment du moteur, et il faut également éviter les zones où l'eau risque de couler ou de s'accumuler pendant les gros orages.

Pour monter le module de commande de la sirène:

A. Fixer la patte de support de montage du module à l'emplacement choisi à l'aide des deux (2) vis de 1,9 cm (3/4") de long fournies avec le module. Il faut percer avec précautions un trou pilote de 0,32 cm (1/8") de diamètre pour amorcer les vis.

B. Dans la plupart des cas, lorsque la patte de support a été fixée sur une surface métallique solide, on peut connecter le fil NOIR sortant du faisceau de conducteurs au boulon de montage de la sirène. Avec une clé ou une douille de 10 mm, fixer le module de la sirène (et la borne en illet située à l'extrémité du fil NOIR) au support à l'aide des deux (2) boulons à tête hexagonale de 0,95 cm (3/8") de long et des deux (2) rondelles de blocage fendues fournis avec le module.



2. Montage des commutateurs à fiche des capots du moteur et du coffre

Deux commutateurs à fiche sont fournis pour protéger les capots du moteur et du coffre du véhicule, et il faut les utiliser avec tout capot qui n'allume pas automatiquement une lampe de service. Les commutateurs doivent toujours être montés dans une partie métallique du véhicule mise à la masse, car ils ne fonctionnent absolument pas lorsqu'ils sont montés sur une partie en matière plastique ou en fibre de verre. La surface de montage doit être à une hauteur permettant à la fiche de s'enfoncer de 0,64 cm (1/4") lorsque les capots du moteur ou du coffre sont fermés.

ATTENTION! Comme le commutateur à fiche est conçu pour être enfoncé lorsque le capot se referme sur lui, ceci risque de créer une bosse dans le métal et d'écailler la peinture à l'extérieur si le commutateur entre en contact avec une partie métallique du capot de simple épaisseur à cet endroit-là. C'est pourquoi il faut toujours monter le commutateur à fiche à un endroit où il pourra entrer en contact avec une partie métallique du capot de moteur ou de coffre ayant une double épaisseur.

Lorsqu'on choisit l'emplacement du commutateur à fiche, il est important de veiller à ce que ni le commutateur ni la patte de support ne soient à un endroit où l'eau puisse s'accumuler ou couler. Il faut éviter toutes les gouttières du capot sur les ailes/le coffre. Il faut rechercher les emplacements étanchés par des joints en caoutchouc lorsque les capots du moteur/du coffre sont fermés. Trop d'eau sur ces pièces risquerait de les corroder, ce qui aboutirait à diminuer la protection des capots. Tous les trous perforés pour monter les commutateurs risqueraient également de rouiller si l'eau pouvait y pénétrer. Il existe trois méthodes de montage différentes, à savoir:

1. Montage direct dans une lèvres du coffre, un croisillon de radiateur, etc.

A. Percer un trou de 0,64 cm (1/4") dans la surface de montage choisie. Il faut s'assurer qu'il existe un dégagement suffisant derrière la surface pour le commutateur à fiche.

B. Visser le commutateur à fiche dans le trou à l'aide d'une clé à douille ou d'une douille de 1,11 cm (7/16").

2. Montage à l'aide d'une équerre de support.

A. Fixer l'équerre à la surface de montage choisie à l'aide des deux (2) vis à métaux.

B. Visser le commutateur à fiche dans l'équerre.

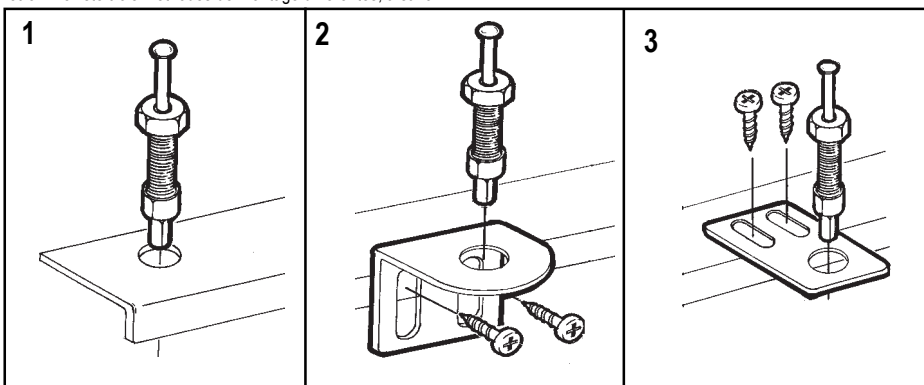
REMARQUE: On peut régler la hauteur du commutateur à fiche en desserrant les vis et en faisant glisser l'équerre vers le bas ou vers le haut.

3. Montage à l'aide d'une patte de fixation plate.

A. Fixer la patte à la surface de montage choisie à l'aide des deux (2) vis à métaux.

B. Visser le commutateur à fiche dans l'équerre.

REMARQUE: On peut courber cette patte de fixation pour l'adapter aux conditions de montage particulières.



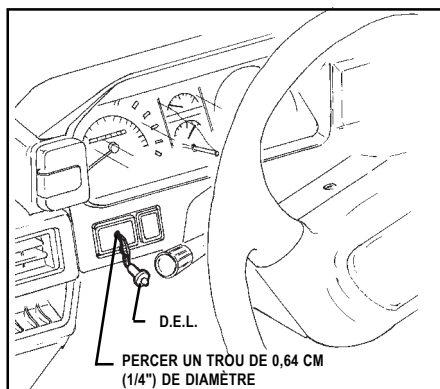
3. Montage de l'indicateur D.E.L. du tableau de bord

Choisir l'emplacement sur le tableau de bord ou au centre de la console qui sera le plus visible de l'extérieur du véhicule, à partir de tous les angles possibles (fenêtre du conducteur, fenêtres passagers, lunette arrière, etc.).

ATTENTION! Il faut s'assurer qu'il existe suffisamment de place pour le corps de la D.E.L. derrière le panneau de montage à l'emplacement choisi. Il faut également veiller à ce que la perceuse ne sectionne aucun fil et n'endommage aucun composant après avoir percé le panneau. Il est toujours recommandé d'enlever le panneau du véhicule avant de percer le trou.

Pour monter la D.E.L., il faut:

- Perçer un trou de 0,64 cm (1/4") de diamètre à l'emplacement choisi pour l'installation.
- Faire passer les fils de la D.E.L. à travers le trou à partir de l'avant du panneau, et enfoncer le corps de la D.E.L. dans le trou jusqu'à ce que celle-ci soit bien assise.



4. Montage de l'interrupteur à bascule de secours

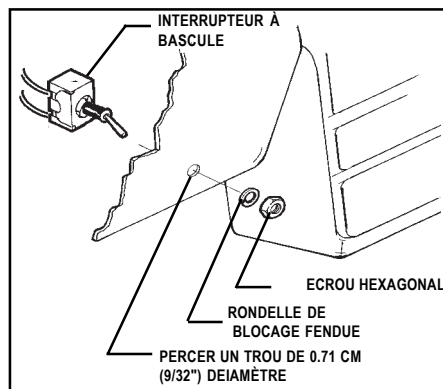
Choisir une zone plane sur le rebord inférieur du tableau de bord, à un endroit où l'interrupteur soit facile d'accès pour le conducteur, sans qu'il risque pourtant d'être accidentellement accroché. On peut proposer comme autres emplacements possibles, le panneau latéral inférieur près des pédales, ou le côté inférieur de la colonne de direction.

Comme il s'agit d'un interrupteur "protégé" (qui ne fonctionne que si la clé de contact est dans le démarreur), monté en couplage, il n'est pas indispensable de le cacher; pourtant, il est toujours recommandé de cacher cet interrupteur car ceci confère un niveau de sécurité plus élevé au véhicule.

ATTENTION! Il faut s'assurer qu'il se trouve suffisamment de place derrière le panneau pour le corps de l'interrupteur, à l'emplacement choisi. Il faut également veiller à ce que la perceuse ne sectionne aucun fil et n'endommage aucun composant après avoir percé le panneau. Il est toujours recommandé d'enlever le panneau du véhicule avant de percer le trou.

Pour monter l'interrupteur de secours en couplage, il faut:

- Perçer un trou de 0,71 cm (9/32") de diamètre à l'endroit choisi pour installer l'interrupteur.
- Faire passer l'interrupteur à travers le trou par l'arrière du panneau, et le fixer à l'avant à l'aide de la rondelle de blocage fendue et de l'écrou hexagonal fournis avec l'interrupteur.

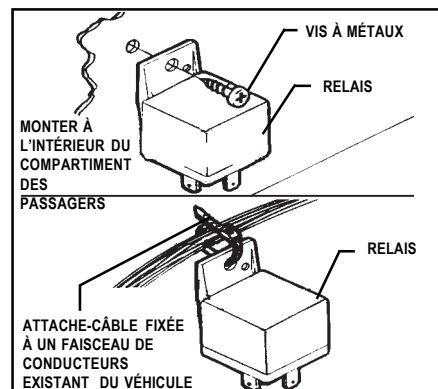


5. Montage des deux (2) relais

Les relais peuvent être montés dans le compartiment-moteur, mais il est préférable de monter les relais d'inhibition du démarreur dans l'habitacle, là où il ne sera pas exposé à l'environnement. Le relais qui sera utilisé pour inhiber le démarreur du véhicule doit être monté à proximité des fils provenant du contacteur d'allumage. Le relais qui sera utilisé pour faire clignoter les feux de position du véhicule doit être monté à proximité d'un des blocs de feux de position avant.

Pour monter les relais :

- Visser le relais sur la surface de montage à l'aide d'une vis à tôle à travers le trou pratiqué dans la patte de montage du relais.
- Fixer solidement le relais à un harnais de fils existant ou autre composant à l'aide d'attaches de câble.

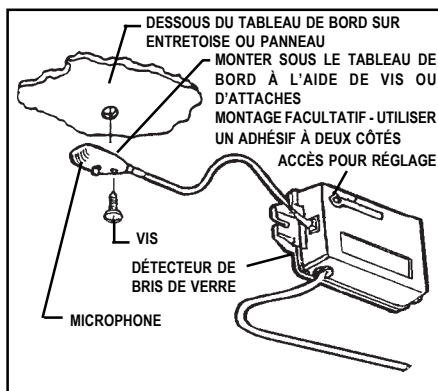


6. Montage du détecteur de bris de verre

Le module détecteur de bris de verre doit être monté derrière le tableau de bord, dans une section permettant le branchement du câble de rallonge provenant du microphone. Le microphone doit être monté sur le rebord inférieur du tableau de bord, pointant vers l'arrière du véhicule. Le montage du microphone sur des panneaux en plastique dur ou sur des conduits en plastique de climatisation n'est pas recommandé car l'expansion et la contraction normales des matières plastiques peuvent produire suffisamment de bruit pour créer une fausse alarme. Le microphone doit également être monté sous le niveau des yeux car la DEL rouge clignotera chaque fois qu'un bruit fort est détecté.

Pour monter ces composants :

- Utiliser les vis ou attaches pour monter le module bris de verre derrière le tableau de bord.
- Monter le microphone à l'aide de la vis fournie, ou d'un coussinet adhésif à double côté facultatif.
- Brancher le câble du microphone dans le module bris de verre, et fixer solidement le câble sur son trajet à l'aide d'attaches.



CÂBLAGE DU SYSTÈME

Il est possible que la réalisation des connexions au véhicule, telles que décrites dans la présente section relative au câblage, dépasse le niveau des connaissances techniques d'un consommateur moyen. Si vous avez la moindre question à poser au sujet des méthodes de câblage, veuillez appeler un électricien spécialiste des circuits électriques sur véhicules, ou bien encore, appelez AUDIOVOX-URGENCES au 1-800-225-6074. Avant d'effectuer une connexion quelconque, il faut utiliser une sonde logique de 12 volts pour confirmer que la tension soit correcte au point de connexion.

ATTENTION! Le connecteur blanc à 9 broches situé à l'extrémité du faisceau de conducteurs principal, qui se branche dans le module de commande de la sirène, doit rester déconnecté pendant l'opération de câblage de l'installation. En laissant ce connecteur déconnecté, on assure que les transmetteurs du porte-clés seront convenablement programmés, plus tard au cours de l'installation.

1. Acheminement du faisceau de conducteurs

Les fils BLEU FONCÉ, GRIS, ORANGE, BRUN ET BLANC doivent être acheminés à travers la cloison pare-feu dans le compartiment des passagers.

Dans la plupart des cas, le fil ROUGE doit aussi être amené dans le compartiment des passagers, jusqu'au fusible des lampes de service (portes, plafonnier). Avant de continuer l'acheminement des fils, vérifier où se trouve l'emplacement du fusible des lampes de service, car un faible pourcentage de véhicules ont ce fusible placé dans le compartiment du moteur, et dans ces cas-là, il n'est pas nécessaire d'acheminer le fil ROUGE à travers la cloison pare-feu.

Si vous avez installé un interrupteur à fiche dans le coffre, il faut également que vous acheminiez le fil de rallonge VERT FONCÉ à travers la cloison pare-feu, jusqu'à l'interrupteur à fiche préalablement installé dans le coffre.

Après avoir confirmé les emplacements des composants, acheminer les fils BLEU FONCÉ, BLANC, GRIS ET ROUGE vers leurs points de connexion. Il faut agir avec précaution lorsqu'on achemine les câbles. Il faut éviter que les fils touchent des surfaces chaudes et mobiles à l'intérieur du véhicule (ventilateurs de radiateur, tringlerie de l'accélérateur ou de la pédale de frein, etc.).

Pour traverser la cloison pare-feu, il faut veiller à ce que les fils passent à travers un canon isolant en caoutchouc déjà en place. A défaut de procéder ainsi, les conducteurs risqueraient de s'endommager en frottant contre les bords coupants du métal, ce qui pourrait éventuellement entraîner la défaillance du système de sécurité.

2. Connexion du fil ROUGE

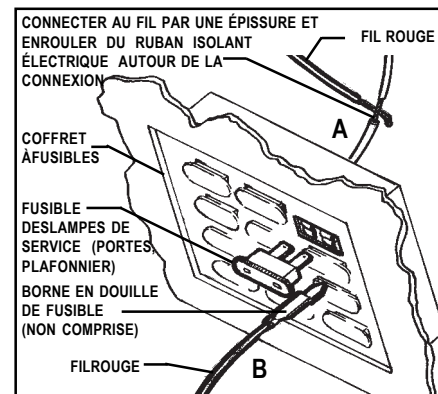
Repérer le fusible des lampes de service. Les deux côtés du fusible doivent indiquer +12 volts sur la sonde logique pendant que le fusible est enfilé. Enlever le fusible et tester les contacts dans lesquels le fusible s'enfiche. L'un des contacts n'indiquera pas +12 volts. Ceci est le point où le fil ROUGE doit être connecté.

Connexion par la méthode A:

- Repérer le fil sortant de cette borne de fusible, à l'arrière du coffret à fusibles.
- Connecter le fil ROUGE du faisceau à ce conducteur par une épissure qu'il faut protéger avec du ruban isolant électrique.

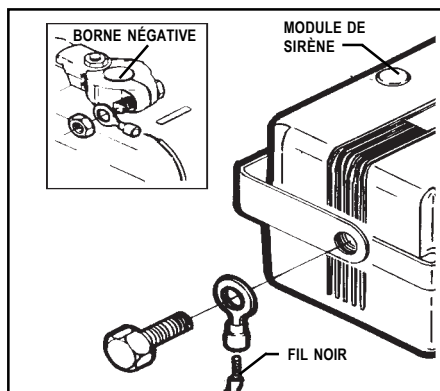
Connexion par la méthode B:

- On peut se procurer dans presque tous les magasins de matériel électronique des bornes en "douilles de fusible", qui s'enfilent dans les contacts de fusible. Cette méthode de connexion peut être plus facile dans certains véhicules.
- Consulter les instructions spécifiques comprises dans le paquet de bornes en douilles de fusible.



3. Connexion du fil NOIR

Le fil NOIR le plus gros (et non le fil noir mince servant de fil d'antenne) doit avoir été connecté à la masse au cours du montage du module de commande de la sirène. Si vous n'avez pas confiance dans la mise à la masse effectuée sur la patte de support de fixation du module de sirène, vous pouvez connecter l'illet situé à l'extrémité du fil NOIR à l'un quelconque des boulons non peints situés dans la cloison pare-feu ou l'aile qui sont vissés directement dans les filets d'une plaque métallique du véhicule.



4. Connexion du fil BLANC

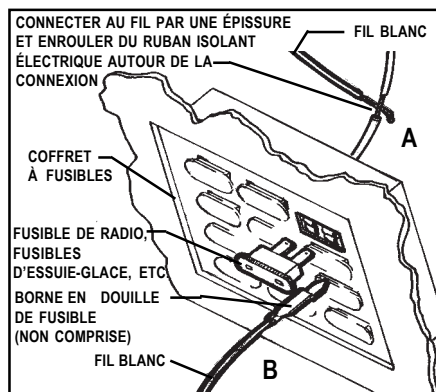
Repérer un fusible dans le coffret à fusibles du véhicule qui indique +12 volts sur la sonde logique lorsque la clé de contact est sur "MARCHÉ" ou "DÉMARRAGE" et 0 volt lorsque la clé de contact est sur la position "ARRÊT" (fusible de radio ou d'essuie-glace). Après avoir identifié un tel fusible, tourner la clé de contact sur la position "MARCHÉ," enlever le fusible, et tester les contacts dans lesquels le fusible s'enfiche. L'un des contacts n'indiquera pas 12 volts sur la sonde logique; c'est le contact auquel le fil BLANC doit être connecté.

Connexion par la méthode A:

- Repérer le fil sortant de cette borne de fusible à l'arrière du coffret à fusibles.
- Connecter le fil BLANC du faisceau à ce fil par une épissure et protéger la connexion avec du ruban isolant électrique.

Connexion par la méthode B:

- On peut se procurer dans presque tous les magasins de matériel électronique des bornes en "douilles de fusible", qui s'enfichent dans les contacts de fusible. Cette méthode de connexion peut être plus facile dans certains véhicules.
- Consulter les instructions spécifiques comprises dans le paquet de bornes en douilles de fusible.



5. Connexion du fil BRUN

Continuer l'acheminement du fil BRUN (ainsi que du fil VERT FONCÉ à connecter au commutateur à fiche du coffre) jusqu'à l'arrière du véhicule, et enlever les panneaux pour avoir accès aux feux de marche arrière.

Tourner la clé de contact sur la position "MARCHÉ" (NE PAS FAIRE DÉMARRER LE VÉHICULE), appliquer le frein de stationnement et placer le levier de changement de vitesse sur la position marche arrière. Inspecter l'arrière du véhicule pour constater que les feux de marche arrière soient allumés.

Essayer les fils qui rejoignent les ampoules de feux de marche arrière et repérer le fil indiquant +12 volts sur la sonde logique. Remettre le levier de changement de vitesse sur la position stationnement et vérifier que le même fil indique maintenant 0 volt. C'est là où le fil BRUN doit être connecté.

Connecter le fil BRUN à ce fil par une épissure et protéger la connexion avec du ruban isolant électrique.

6. Connexion de la D.E.L

6a. Connexion du fil BLEU FONCÉ

Connecter le fil BLEU FONCÉ sortant du faisceau principal au fil BLEU sortant de la D.E.L. montée sur le tableau de bord. Il faut surtout bien protéger cette connexion avec du ruban isolant électrique.

6b. Connexion du fil ROUGE sortant de la D.E.L.

Connecter par une épissure le fil ROUGE sortant de la D.E.L. montée sur le tableau de bord au fil ROUGE plus gros sortant du faisceau principal. Il faut surtout bien protéger cette épissure avec du ruban isolant électrique.

7. Connexion de l'interrupteur de secours

7a. Connexion du fil GRIS

Connecter le fil GRIS sortant du faisceau principal au fil GRIS sortant de l'interrupteur de secours. Il faut bien protéger cette connexion avec du ruban isolant électrique.

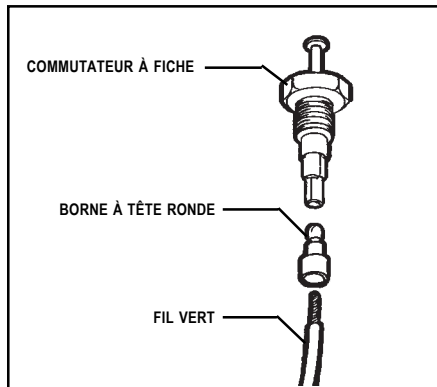
7b. Connexion du fil NOIR sortant de l'interrupteur de secours

Connecter le fil NOIR sortant de l'interrupteur de secours à une pièce métallique solide du véhicule mise à la masse. Le fil NOIR peut être connecté à tout boulon métallique, non peint, qui se visse dans le châssis interne, dans le panneau situé près des pédales.

8. Connexion du fil VERT FONCÉ

Couper le fil VERT FONCÉ à la longueur nécessaire, enlever l'isolant sur une longueur de 0,64 cm (1/4") et sertir l'une des bornes mâles à tête ronde fournies avec le système à l'extrémité du fil. Enficher la borne à tête ronde dans le réceptacle situé au fond du commutateur à fiche du capot de moteur.

Si vous avez installé un commutateur à fiche pour le capot de coffre, vous devez avoir déjà acheminé la rallonge de fil VERT FONCÉ vers l'arrière du véhicule. Sertir la borne à tête ronde à l'extrémité de la rallonge et l'enficher dans le fond du commutateur à fiche du coffre. Il faut également connecter l'autre extrémité du fil de rallonge VERT FONCÉ au fil VERT FONCÉ sortant du faisceau de conducteurs principal par une épissure et protéger cette dernière avec du ruban isolant électrique.



9. Raccordement du relais d'inhibition de démarreur

ATTENTION! Le relais a été expédié avec un (1) fil NOIR libre. Lorsqu'on utilise le relais pour mettre le démarreur hors service, il faut charger le fil NOIR dans le connecteur du relais à l'emplacement indiqué sur le schéma.

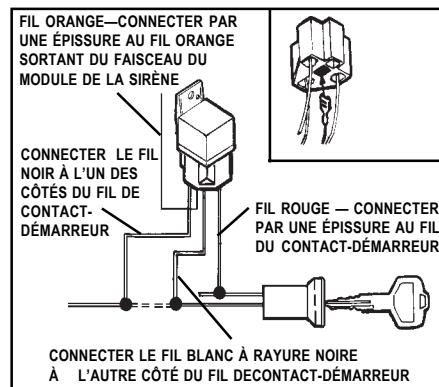
9a. Connecter le fil ORANGE sortant du faisceau du relais au fil ORANGE sortant du faisceau principal. Il faut bien protéger cette épissure avec du ruban isolant électrique.

9b. Ménager l'accès aux fils sortant du contact-démarreur. Connecter le fil ROUGE sortant du faisceau du relais au fil sortant du contact-démarreur qui indique +12 volts sur la sonde logique lorsqu'on tourne la clé de contact sur la position "MARCHE" et "DÉMARRAGE" et 0 volt lorsque la clé est sur la position "ARRÊT". Il faut bien protéger cette connexion avec du ruban isolant électrique.

9c. Repérer le fil sortant du contact-démarreur qui indique +12 volts sur la sonde logique lorsque le moteur de démarreur commence à tourner et 0 volt lorsque la clé est tournée sur les positions "ARRÊT", "ACCESSOIRE" ET "MARCHE" ou "DÉMARRAGE". Couper ce fil et essayer de faire démarrer le véhicule pour vérifier que le moteur de démarreur ne s'engrène pas.

Connecter le fil BLANC à rayure NOIRE sortant du faisceau du relais à l'un des côtés du fil de démarreur coupé et connecter le fil NOIR à l'autre côté du fil coupé.

ATTENTION! Il faut bien s'assurer que ces fils soient fermement connectés et convenablement isolés. Si cette connexion venait à se rompre, le véhicule ne pourrait pas démarrer, même en utilisant la clé de contact.



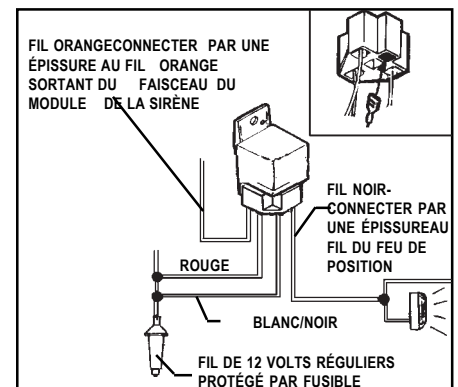
10. Connexion du relais DISPOSITIF DE CLIGNOTEMENT DES FEUX DE POSITION

ATTENTION! Le relais a été expédié avec un (1) fil NOIR libre. Lorsqu'on utilise le relais pour faire clignoter les feux de position du véhicule, il faut charger le fil NOIR dans le connecteur du relais à l'emplacement indiqué sur le schéma.

10a. Connecter le fil ORANGE sortant du faisceau du relais au fil JAUNE sortant du faisceau principal. Il faut bien protéger cette épissure avec du ruban isolant électrique.

10b. Ménager l'accès aux fils sortant de l'arrière de l'une des douilles d'ampoule de feux de position avant. Allumer les feux de position et repérer le fil qui indique +12 volts sur la sonde logique. Éteindre les feux de position et vérifier que ce fil indique alors 0 volt. Connecter le fil NOIR sortant de la douille du relais à ce fil et protéger la connexion avec du ruban isolant électrique.

10c. Connecter ensemble le fil ROUGE et le fil BLANC à rayure NOIRE sortant tous deux de la douille du relais à un fil de 12 volts relié à la batterie et protégé par un fusible (fusible de 15 ampères minimum) dans le véhicule. Ces fils peuvent être connectés à la borne positive de la batterie, toutefois, lorsqu'on les connecte effectivement à la borne positive de la batterie, il faut ajouter un fusible en ligne d'au moins 15 ampères. Connecter l'un des côtés du fusible à la borne positive de la batterie, et l'autre côté du fusible aux fils ROUGE et BLANC à RAYURE NOIRE sortant du connecteur de relais.



11. Raccordement du module détecteur de bris de verre

- A. Raccorder le fil ROUGE provenant du module détecteur de bris de verre au fil ROUGE provenant du harnais principal du module de commande de sirène.
- B. Raccorder le fil NOIR provenant du module détecteur de bris de verre au fil NOIR provenant du harnais principal du module de commande de sirène ou à un châssis métallique solide comme source de terre.
- C. Raccorder le fil BLANC provenant du module détecteur de bris de verre au fil VERT FONCÉ provenant du harnais principal du module de commande de sirène.

12. Connecteur à deux (2) fiches pour interface de verrouillage des portes

Il existe un connecteur à deux fiches supplémentaire sortant du module de commande de la sirène, avec un fil ROUGE et un fil NOIR. Ce connecteur est utilisé pour servir d'interface optionnel de verrouillage des portes; le dispositif verrouille et déverrouille à distance les verrous de porte électriques existant sur le véhicule lorsqu'on arme ou désarme le système. Il faut utiliser avec cette alarme uniquement un interface de verrouillage de portes AA9158. Si vous n'installez pas cet interface de verrouillage de portes, ne raccordez ces deux fils à rien d'autre.

PROGRAMMATION DES TRANSMETTEURS DE PORTE-CLÉS

Les deux transmetteurs de porte-clés compris avec le présent système sont des transmetteurs de type à radiofréquence programmables, ce qui signifie simplement que le module de commande de la sirène peut sauvegarder en mémoire et réutiliser le numéro de code individuel de chaque transmetteur. Le module de commande de la sirène enregistre les codes individuels de deux (2) transmetteurs seulement. Si l'on essaie de programmer un troisième transmetteur, cela efface le numéro de code du premier transmetteur programmé.

ATTENTION! Conserver les instructions de programmation suivantes en lieu sûr et facile d'accès pour pouvoir les utiliser à l'avenir. Chaque fois que la batterie du véhicule est déconnectée à l'occasion d'une séance d'entretien ou de maintenance, il faut reprogrammer les transmetteurs.

Comment programmer les transmetteurs:

- A. Le connecteur du faisceau principal doit être déconnecté du module de commande de la sirène à ce point des opérations d'installation. S'il ne l'est pas, il faut le déconnecter.
- B. Vérifier que les deux transmetteurs de porte-clés sont dans votre main, puis enficher le connecteur du faisceau principal dans le module de commande de la sirène. On doit alors entendre un son bref émis par la sirène.
- C. Appuyer sur le gros bouton d'armement du transmetteur N° 1 et maintenir le bouton enfoncé jusqu'à ce que la sirène émette un son long.
- D. Appuyer immédiatement sur le gros bouton d'armement du transmetteur N° 2 et le maintenir enfoncé jusqu'à ce que la sirène émette un son long.
- E. Les deux transmetteurs doivent alors être programmés. On peut faire un test de vérification en appuyant sur le bouton d'armement de chaque transmetteur, ce qui doit fournir une indication de

système "ARMÉ" ou "DÉSARMÉ" en provenance du module de la sirène.

ATTENTION! Si un seul transmetteur fonctionne, il faut recommencer l'opération de programmation. Une fois que le connecteur du faisceau est enfiché, on dispose de 15 secondes seulement pour programmer les deux transmetteurs. Ce créneau de courte durée est nécessaire pour assurer un haut niveau de sécurité.

ACHÈVEMENT DE L'INSTALLATION

Vous avez pu remarquer cinq (5) fils supplémentaires sortant directement de l'enveloppe en caoutchouc canalisant la sortie des fils du module de commande de la sirène et qui ne font pas partie du faisceau principal. Ces fils sont utilisés pour adapter l'installation à certaines circonstances et sont nécessaires dans certains véhicules.

1. Fil NOIR fin

Il s'agit du fil d'antenne réceptrice incorporée dans le module de commande de la sirène. Il faut allonger ce fil au maximum dans la direction du point ayant la plus haute élévation à l'intérieur du compartiment du moteur pour obtenir une portée de transmission maximum.

2. Fil en boucle NOIR

Cette paire de fils sort de l'enveloppe en caoutchouc et se termine par une paire de connecteurs à cosse de 0,32 cm (1/8"), mâle et femelle, qui s'emboîtent.

Ce système peut être programmé pour un armement actif ou passif. Les ristournes d'assurance sont généralement plus importantes lorsque les systèmes de sécurité sont à armement passif.

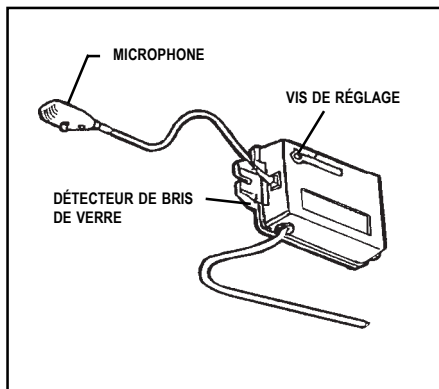
Armement actif signifie que le système de sécurité ne s'arme que lorsqu'on appuie sur le bouton du transmetteur. Pour choisir le dispositif d'armement actif, il suffit d'enficher les deux bornes de la boucle de fil NOIR l'une dans l'autre.

Armement passif signifie que le système de sécurité est automatiquement armé 60 secondes après que la clé de contact ait été tournée sur la position "ARRÊT". On a encore l'option d'armer le système immédiatement en appuyant sur le bouton du transmetteur, mais en cas d'oubli, le système s'arme automatiquement et fournit une protection maximum au véhicule. Pour choisir le dispositif d'armement passif, il faut s'assurer que les deux bornes du fil NOIR en boucle sont déconnectées et isolées l'une de l'autre à leur extrémité par du ruban isolant électrique.

3. Fil en boucle BLEU

Ce fil sort de l'enveloppe en caoutchouc et retourne immédiatement dans l'enveloppe en faisant une boucle.

Le module de commande de la sirène est programmé en usine pour



répondre par synthèse vocale. Si l'on veut éliminer la réponse vocale du système (en remplaçant le mot "ARMÉ" par un seul son bref, le mot "DÉSARMÉ" par deux sons brefs; le mot "EFFRACTION" par quatre sons brefs; les mots "ATTENTION, MARCHE ARRIÈRE" par trois sons brefs... une pause... trois sons brefs... etc.), il suffit de couper cette boucle de fil BLEU et de protéger les deux extrémités du fil individuellement avec du ruban isolant électrique.

REMARQUE: Le message vocal "ATTENTION, EFFRACTION" au cours des 60 secondes du cycle d'alarme reste toujours actif. Il n'existe aucun moyen d'éliminer ce message vocal.

4. Fil en boucle BLANC

Ce fil sort de l'enveloppe en caoutchouc et y retourne immédiatement en faisant une boucle.

Trois minutes après que l'alarme ait été armée, le circuit de détection de tension devient actif. Ce système de détection de tension contrôle le niveau de la tension dans le véhicule, et lorsqu'un changement est détecté (par exemple, lorsqu'une porte s'ouvre et que les lampes de portes ou le plafonnier s'allument), l'alarme est déclenchée.

De nombreux véhicules incorporent un ventilateur de refroidissement électronique qui se met en marche automatiquement dès que le véhicule est arrêté. Lorsque ce ventilateur se met en marche peu de temps après que l'alarme ait été armée, le système ne se déclenche pas en raison des trois minutes de délai.

Si votre véhicule ne possède pas de ventilateur de refroidissement électronique se mettant en marche après l'arrêt du véhicule, vous pouvez choisir de modifier les trois minutes du délai d'armement du circuit de détection de tension.

On peut modifier le système de sorte que six secondes après l'armement le circuit de détection de tension soit activé. On peut éliminer le délai de trois minutes en coupant la boucle de fil BLANC. Après avoir coupé la boucle de fil BLANC, il faut protéger les deux extrémités du fil individuellement avec du ruban isolant électrique. Ne pas couper cette boucle si le véhicule est équipé d'un ventilateur de refroidissement électronique car cela ferait déclencher de fausses alarmes.

5. Fil en boucle VERT

Ce fil sort de l'enveloppe en caoutchouc et y retourne immédiatement en faisant une boucle.

En coupant ce fil, on élimine le dispositif de détection de tension de l'alarme. Lorsque le fil est coupé, l'ouverture des portes ne déclenche pas le système.

Cette boucle de fil doit être coupée seulement lorsqu'on veut protéger le véhicule des chocs soudains contre les glaces ou contre la

carrosserie, mais sans désirer que l'alarme se déclenche lorsqu'une porte a été ouverte.

6. Détails de finition

S'il reste des fils sortant du faisceau principal que vous n'avez pas connectés, simplement parce que vous ne désirez pas activer un dispositif particulier, il faut, soit isoler les extrémités de ces fils avec du ruban isolant électrique et les attacher à un point où cela ne les endommagera pas, soit enlever tout fil inutile du faisceau de conducteurs principal.

RÉGLAGE DE SENSIBILITÉ DU DÉTECTEUR DE VIBRATIONS

La raison d'être d'un détecteur de vibrations est de capter les chocs importants dirigés contre les glaces ou la carrosserie du véhicule, tout en ignorant les coups légers pouvant atteindre le véhicule. L'alarme est programmée pour rendre compte de ces chocs de deux manières. Un choc léger provoque l'alarme qui émet une série de sons brefs, avertissant quiconque se trouve en train d'attaquer le véhicule d'arrêter immédiatement.

Un choc plus puissant déclenche l'alarme qui retentit pendant un cycle complet de 60 secondes, vous informant qu'un essai d'effraction sérieux a eu lieu.

ATTENTION! Lorsque la sensibilité du détecteur de vibrations est trop élevée, ceci provoque des fausses alarmes. Il faut appliquer une force importante pour effectivement briser les glaces d'une automobile, et le détecteur de vibrations doit être réglé en conséquence. Avant d'effectuer le réglage, il faut s'assurer que toutes les vis de fixation du module de commande de la sirène à la patte de support, et de la patte de support au véhicule, sont strictement serrées.

Pour régler le détecteur de vibrations, il faut:

A. Repérer le petit bouchon en caoutchouc à l'arrière du module de commande de la sirène et l'enlever.

B. Avec précaution, tourner la vis de réglage à fond, dans le sens inverse des aiguilles d'horloge, puis environ d'1/8 de tour dans le sens direct. Ne pas trop tourner cette vis, car son angle de rotation maximum est d'environ 270 degrés. Il faut arrêter toute pression dès que l'on sent la moindre résistance.

C. Fermer le capot, armer l'alarme ("ARMÉ" ou 1 son bref), et permettre au détecteur de vibrations de se stabiliser en 6 secondes.

D. Frapper le devant du pare-choc du véhicule avec le côté d'un poing fermé, avec la force que l'on peut imaginer pour briser une fenêtre.

ATTENTION! Ne jamais effectuer ce test sur une fenêtre du véhicule, car celle-ci pourrait se briser.

E. Si l'alarme sonore ne retentit pas, ou si l'on n'entend que les sons

brefs d'avertissement de l'alarme, il faut alors augmenter la sensibilité du détecteur. Pour ceci, désarmer l'alarme et ouvrir le capot du moteur pour avoir accès au module de commande de la sirène.

F. Tourner la vis de réglage d'1/8 de tour environ avec précaution, dans le sens direct des aiguilles d'horloge (sensibilité croissante), et recommencer le test.

G. Recommencer l'opération jusqu'à ce qu'un coup ferme fasse déclencher l'alarme et qu'un coup un peu moins puissant déclenche les sons brefs d'avertissement de l'alarme.

H. Lorsque le réglage est terminé, remettre le bouchon en caoutchouc en place à l'arrière du module de la sirène.

RÉGLAGE DE LA SENSIBILITÉ DU DÉTECTEUR DE BRIS DE VERRE

La sensibilité de ce capteur peut être réglée sans que l'alarme ne soit armée. Il suffit d'observer la DEL sur le microphone tout en procédant aux réglages.

A. Tourner délicatement la vis de réglage en sens anti-horaire jusqu'à ce qu'une légère résistance se fasse sentir, puis la tourner en sens horaire d'environ un quart de tour.

B. Observer la DEL, se déplacer dans l'habitacle vers l'arrière du véhicule et frapper énergiquement et rapidement les mains deux fois.

C. Si la DEL s'est allumée brièvement, aucun autre réglage n'est nécessaire.

D. Si la DEL ne s'est pas allumée, tourner délicatement la vis de réglage d'un autre 1/8 de tour en sens horaire, et répéter le test. Continuer jusqu'à ce que la sensibilité soit bien réglée.

IMPORTANT! Ne pas régler la sensibilité à un niveau trop élevé, ce qui causera de fausses alarmes créées par des bruits à l'extérieur du véhicule. La sensibilité doit être réglée de manière à détecter le bruit fort du bris de verre à l'intérieur de l'automobile.

FONCTIONNEMENT DU SYSTÈME

Le fonctionnement du système est décrit dans la présente section en fonction des messages vocaux programmés dans le module de commande de la sirène. Les sons brefs équivalents sont indiqués entre parenthèses pour les usagers ayant désactivé la synthèse vocale (voir les explications données dans la section sur le fil en boucle BLEU).

1. Armement du système

A. Sortir du véhicule et fermer toutes les portes en les verrouillant.

B. Enforcer et relâcher le gros bouton d'armement sur l'émetteur placé sur la chaîne porte-clefs. Le système répondra par "ARMÉ" (un seul

piaulement) et les feux de position clignoteront une fois.

- C. L'indicateur rouge de la D.E.L. montée sur le tableau de bord commence à clignoter, et après six secondes environ, le dispositif de détection de vibrations est activé. Le circuit de détection de tension commence son compte à rebours et après trois minutes environ, l'ouverture d'une porte activant l'allumage d'une lampe fait déclencher l'alarme.
- D. Lorsqu'on a installé le système selon la méthode d'armement automatique passif, 60 secondes après que l'on ait tourné la clé de contact sur "ARRÊT" l'alarme s'arme automatiquement à condition que les capots du moteur et du coffre soient fermés. Pendant le cycle d'armement automatique de 60 secondes, la D.E.L. montée sur le tableau de bord clignote rapidement.

ATTENTION! Lorsqu'on a coupé le fil en boucle BLANC au cours de l'installation, le dispositif de détection de tension de l'alarme s'active pendant les 6 secondes suivant l'armement du système (voir ACHÈVEMENT DE L'INSTALLATION, Fil en boucle BLANC). On n'a plus besoin alors d'attendre trois minutes avant que l'ouverture d'une porte provoque le déclenchement de l'alarme.

2. Protection pendant que le système est armé

- A. L'ouverture d'une porte (ou de tout point d'entrée activé par lumière) fera retentir l'alarme immédiatement pendant le cycle complet d'alarme de 60 secondes. Les feux de position clignoteront continuellement durant le cycle d'alarme de 60 secondes.
- B. Toute tentative non autorisée de mettre le véhicule en marche sera empêchée pendant que le système est armé.
- C. Pendant que le système est armé, la DEL rouge montée sur le tableau de bord clignotera constamment, ce qui découragera tout voleur potentiel.
- D. Sous l'effet de tout impact léger au verre ou aux panneaux de carrosserie du véhicule, le système fera retentir immédiatement les piaulements avertisseurs, décourageant ainsi toute autre tentative de pénétrer dans le véhicule.
- E. Sous l'effet de tout impact violent au véhicule, le système fera immédiatement retentir l'alarme et clignoter les feux de position pour le cycle complet d'alarme de 60 secondes. Au terme du cycle, l'alarme se réarmera et reprendra la surveillance du véhicule.
- F. En tant que mesure auxiliaire, si le capteur de chocs a été inactivé à distance, le détecteur de bris de verre entendra le bruit produit par le verre qui se brise et fera retentir l'alarme pendant le cycle complet de 60 secondes.

3. Désarmement du système

- A. De retour au véhicule, enfoncer et relâcher le gros bouton d'armement

sur l'émetteur placé sur la chaîne porte-clés. Le système répondra par "DÉSARMÉ" (deux piaulements), et les feux de position du véhicule clignoteront deux fois.

- B1. Si l'alarme a été câblée en vue d'un fonctionnement ACTIF, la DEL rouge montée sur tableau de bord s'éteindra alors, ce qui indique que le système est désarmé, et qu'on peut entrer dans le véhicule en toute sécurité.
- B2. Si l'alarme a été câblée en vue d'un fonctionnement PASSIF, la DEL rouge montée sur tableau de bord se mettra alors à clignoter rapidement, ce qui indique que le système est désarmé mais en mode de réarmement automatique. Dans les 60 secondes du désarmement du système, il faudra tourner la clé de contact à la position de marche pour empêcher le système de se réarmer.

4. Désarmement après une intrusion

Lors du désarmement, si le système répond par "INTRUSION" (quatre piaulements) et les feux de position du véhicule clignotent trois fois, ceci signifie que l'alarme a été déclenchée en son absence. En outre, la DEL rouge montée sur tableau de bord clignotera trois fois ... pause ... clignotera trois fois ... etc., pour aviser ultérieurement du déclenchement de l'alarme. Ces indicateurs d'intrusion sont sauvegardés dans la mémoire du système et ne seront effacés que lorsque la clé de contact sera tournée en position de marche.

5. Diminution de la sensibilité du détecteur de vibrations à l'aide du transmetteur de porte-clés

Il peut se trouver des circonstances dans lesquelles on veut armer le système tout en réduisant la sensibilité du détecteur de vibrations, ou simplement mettre ce dernier hors circuit. Cette possibilité du dispositif peut être utile pendant les gros orages, ou en cas de stationnement près d'un chantier de construction avec engins lourds.

Pour armer et diminuer la sensibilité, il faut:

- A. Suivre la méthode normale d'armement en appuyant sur le gros bouton du transmetteur de porte-clés.
- B. Immédiatement après avoir armé, appuyer sur le bouton plus petit du transmetteur de porte-clés et le relâcher sans délai.
- C. Dans les cinq secondes suivantes environ, la sirène émet un son long, indiquant que la sensibilité du détecteur de vibrations a été réduite de 30 pour cent.

Pour armer et mettre le détecteur hors circuit, il faut:

- A. Suivre la méthode normale d'armement en appuyant sur le gros bouton du transmetteur de porte-clés.
- B. Immédiatement après avoir armé, appuyer sur le bouton plus petit du transmetteur de porte-clés et le relâcher sans délai deux fois de suite.

C. Dans les cinq secondes suivantes environ, la sirène émet un son bref suivi d'un son long, indiquant que le détecteur de vibrations a été mis hors circuit.

ATTENTION! Chaque fois que le détecteur de vibrations est réglé à l'aide du transmetteur de porte-clés, le réarmement du système après un désarmement redonne au détecteur de vibrations sa sensibilité opérationnelle normale.

6. Télécommande du système anti-panique

L'alarme peut être activée à l'aide du transmetteur de porte-clés pour attirer l'attention sur votre véhicule au cours d'une situation d'urgence.

Pour activer le dispositif anti-panique, il faut:

- A. Appuyer sur le gros bouton du transmetteur de porte-clés et le maintenir enfoncé pendant 3 secondes.
- B. L'alarme retentit continuellement pendant 60 secondes.
- C. Pour arrêter l'alarme avant l'écoulement des 60 secondes, appuyer sur le gros bouton du transmetteur de porte-clés et le relâcher sans délai.

AVERTISSEMENT! Dans la plupart des pays et circonscriptions, il est illégal de déclencher l'alarme pendant qu'un véhicule se déplace. Pour la sécurité des passagers et des autres véhicules, il ne faut pas activer l'alarme pendant que votre véhicule roule.

7. Fonctionnement de l'interrupteur de secours

En cas de perte du transmetteur de porte-clés, ou lorsque le transmetteur ne parvient pas à désarmer le système, l'interrupteur de secours installé en couplage et compris avec le système permet de désarmer temporairement le système.

Pour utiliser l'interrupteur, il faut:

- A. Ouvrir la porte du conducteur. L'alarme retentit!
- B. Introduire la clé de contact dans le démarreur et la tourner sur la position "MARCHE".
- C. Placer l'interrupteur de secours sur la position "MARCHE". L'alarme se désarme et l'on peut alors faire démarrer le véhicule.
- D. La D.E.L. montée sur le tableau de bord reste allumée en permanence—sans clignoter—jusqu'à ce que l'on change la position de l'interrupteur de secours.

Lorsque le système fonctionne au moyen de l'interrupteur de secours, toutes les fonctions de sécurité du système sont inopérantes et on ne peut armer le système tant que l'interrupteur n'est pas mis sur la position "ARRÊT". Le dispositif anti-panique et les autres fonctions optionnelles relatives à l'entrée dans le véhicule indépendamment de la clé de contact, restent efficaces lorsque le système fonctionne avec l'interrupteur de secours.

Pour sortir du mode de fonctionnement avec l'interrupteur de secours, il faut:

A. Tourner la clé de contact sur la position "MARCHE", puis placer l'interrupteur de secours sur la position "ARRÊT".

B. La D.E.L. montée sur le tableau de bord s'éteint et le système revient à son mode opérationnel normal.

8. Avertisseur de marche arrière

Pour manœuvrer avec plus de sécurité, surtout dans les zones résidentielles, le système comprend un avertisseur de marche arrière. Chaque fois que le véhicule roule et que le levier de changement de vitesse vient sur la position de marche arrière, le système répond par les mots "ATTENTION, MARCHÉ ARRIÈRE" (3 sons brefs... une pause... 3 sons brefs) et répète ce message tant que le levier de changement de vitesse n'est pas déplacé sur une autre position.

9. Remplacement des piles du transmetteur

Les transmetteurs de porte-clés ont une petite D.E.L. rouge visible à travers la partie supérieure du boîtier. Cette D.E.L. peut être utilisée comme indicateur de condition de la pile. On se rend compte également de la condition de détérioration de la pile par la réduction effective de la portée du transmetteur.

Il faut remplacer la pile par une pile de 12 volts de type GP23A ou équivalent.

Pour remplacer la pile du transmetteur, il faut:

A. Enlever la petite vis à tête cruciforme du fond du transmetteur et soulever avec précaution le couvercle du boîtier (côté bouton) pour l'enlever du transmetteur.

B. Enlever la pile usée, en prenant note de l'orientation des contacts + et -, et s'en débarrasser selon la réglementation.

C. Installer la pile neuve, en plaçant les contacts + et - dans le bons sens.

D. Remonter le couvercle du transmetteur en prenant soin de n'endommager ni la D.E.L. ni les composants de la carte de circuits intégrés.

E. Revisser la petite vis à tête cruciforme au fond du transmetteur.

DÉPANNAGE:

Symptôme: La sirène n'émet aucun son au moment où l'on branche le faisceau de conducteurs.

Vérification:

A. Vérifier que le fusible placé sur le fil ROUGE venant du module de commande de la sirène soit en bon état. Le remplacer s'il a sauté.

B. Vérifier que les connexions des fils ROUGE et NOIR ont bien été faites suivant les instructions de la section Câblage du manuel.

Symptôme: Les transmetteurs ne programment pas le module de commande de la sirène.

Vérification:

A. Vous ne disposez que de 15 secondes après avoir mis le module de commande de la sirène sous tension pour programmer les deux transmetteurs.

Symptôme: On ne peut ni armer ni désarmer l'alarme avec le transmetteur de porte-clés.

Vérification:

A. Vérifier que la pile du transmetteur est en bon état. Essayer les deux transmetteurs. Remplacer la pile du transmetteur si nécessaire.

B. Vérifier que le transmetteur soit programmé dans le module de commande de la sirène. Lorsque la batterie du véhicule est déconnectée, ou lorsqu'on débranche le module de commande de la sirène, il faut reprogrammer les transmetteurs. Suivre les instructions du manuel relatives à la programmation.

C. Vérifier que le fusible placé sur le fil ROUGE venant du module de commande de la sirène soit en bon état. Le remplacer s'il a sauté.

D. Vérifier que les connexions des fils ROUGE et NOIR ont bien été faites suivant les instructions de la section Câblage du manuel.

Symptôme: L'alarme ne se déclenche pas lorsqu'on ouvre le capot du moteur ou du coffre alors que l'on a installé un commutateur à fiche.

Vérification:

A. Vérifier que le commutateur à fiche soit réglé à la bonne hauteur. Les fiches de commutateur doivent pouvoir s'enfoncer de 0,64 cm (1/4") lorsque les capots du moteur et du coffre sont fermés.

B. Il faut attendre 10 secondes environ après avoir armé le système pour que le commutateur à fiche soit activé.

C. Vérifier que le commutateur à fiche et/ou la patte de support du commutateur soient montés sur une surface métallique du véhicule mise à la masse.

Symptôme: L'alarme ne retentit pas lorsqu'on ouvre une porte qui doit provoquer l'allumage d'une lampe de service.

Vérification:

A. Vérifier que le sélecteur de lampe soit placé sur la position Porte.

B. Vérifier que l'ampoule du plafonnier s'allume. L'alarme ne retentit que si l'ampoule s'allume. Remplacer l'ampoule si elle ne s'allume pas.

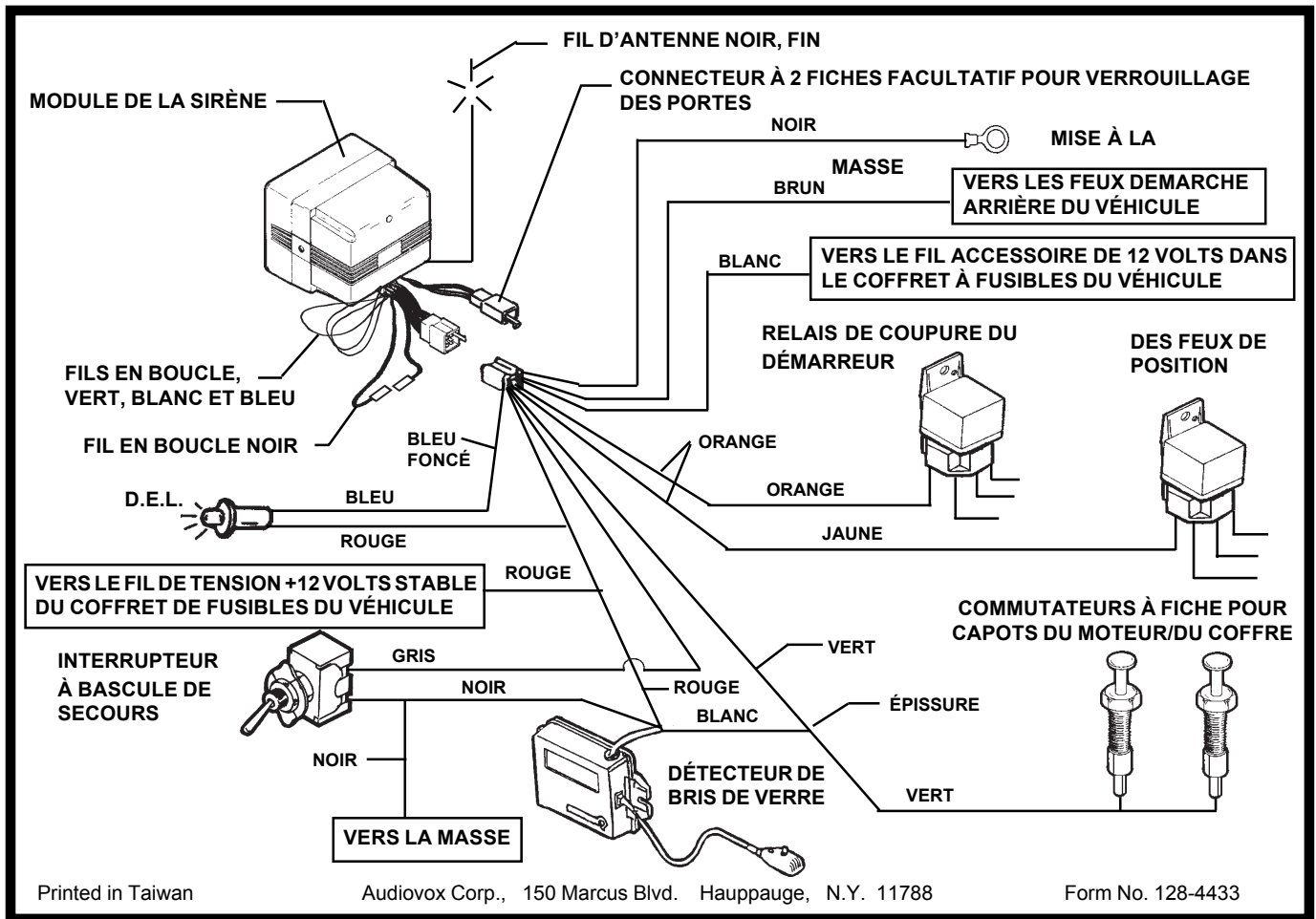
C. Il existe un délai de 3 minutes après l'armement avant que le circuit de détection de l'allumage des lampes de service (portes et/ou plafonnier) de l'alarme soit excité. Il faut s'assurer que les 3 minutes pleines se sont écoulées.

Symptôme: L'interrupteur de secours à bascule ne désarme pas l'alarme.

Vérification:

A. Il faut tourner la clé de contact sur la position "MARCHE" avant d'activer l'interrupteur.

B. Vérifier les connexions au fil GRIS, au fil NOIR venant de l'interrupteur, et au fil BLANC venant du faisceau principal. Réparer les connexions le cas échéant.



INSTALACION DE LOS COMPONENTES

1. Instalación del módulo de control de la sirena

Seleccione una superficie metálica plana dentro del compartimiento del motor, pero no sobre el motor, para efectuar la instalación del módulo de control de la sirena. Tenga en cuenta que el extremo de la bocina debe estar hacia abajo para impedir que entre agua en el módulo.

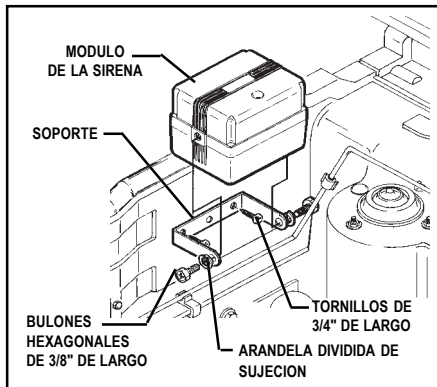
Es preferible buscar un lugar en la mampara cortafuegos al que no se pueda acceder con facilidad desde abajo. Este lugar proporcionará una operación óptima del detector de choque e impedirá que el potencial ladrón desconecte la alarma por abajo del vehículo.

También deberá ubicar el módulo de control lejos de los componentes que se calienten o muevan dentro del compartimiento del motor, y evite aquellas partes por donde correrá agua o se acumulará agua durante una tormenta de lluvia.

Para instalar el módulo de control de la sirena:

A. Coloque el soporte de montaje del módulo en el sitio elegido utilizando los (2) tornillos largos de 3/4 pulgadas provistos. Agujereee con cuidado un orificio piloto de 1/8 pulgadas de diámetro para comenzar a colocar los tornillos.

B. En la mayoría de los casos, si se fijó el soporte a una superficie metálica sólida, podrá conectar el cable NEGRO del amés de cableado al perno de montaje de la sirena. Con una llave o un adaptador de 10 mm, asegure el módulo de la sirena (un terminal tipo ojal en el extremo del cable NEGRO) al soporte utilizando los (2) bulones de cabeza hexagonal de 3/8 pulgadas de largo y las (2) arandelas divididas de sujeción provistas.



2. Instalación de los interruptores de clavija del capó y el baúl

Se proveen dos interruptores de clavija para proteger las tapas del capó y el baúl del vehículo, los que deberán usarse en cualquier tapa de capó o baúl que no encienda una luz de posición auxiliar. Siempre se deben instalar los interruptores en una parte metálica del vehículo que tenga conexión a tierra, dado que no funcionarán si se los coloca en una parte plástica o de fibra de vidrio.

La superficie de montaje debe estar a una altura que permita al pestillo bajar 1/4 pulgada cuando se cierre la tapa del capó o el baúl.

IMPORTANTE: Dado que el interruptor de clavija está diseñado para bajar al cerrarse la tapa del capó o baúl, puede abollonarse la superficie exterior de la pintura si se lo instala en un lugar donde hará contacto con una parte metálica simple de la tapa del capó/baúl. Siempre trate de instalar el interruptor de clavija donde haga contacto con una superficie doble de la tapa del capó/baúl.

Al elegir la ubicación para la instalación del interruptor de clavija, es importante colocar el interruptor y/o el soporte en un lugar donde no vaya a correr ni a acumularse agua. Evite todas las "canaletas" de desagüe de los paragolpes o defensas del capó/baúl. Busque aquellos lugares que queden sellados con juntas de goma al cerrarse la tapa del capó/baúl. Si llegara a haber una cantidad excesiva de agua en estas partes, se provocaría corrosión y una pérdida de protección para las tapas del capó/baúl. Además, cualquiera de los orificios que se hagan para

instalar los interruptores se oxidarán al dejar que penetre agua. Se dispone de tres métodos de instalación diferentes, a saber:

1. Instalación directa en un borde del baúl, una riostra transversal del radiador, etc.

A. Perfore un orificio de 1/4 pulgadas de diámetro en la superficie elegida para la instalación. Asegúrese de que haya la suficiente distancia atrás de la superficie para el interruptor de clavija.

B. Enrosque el interruptor de clavija en el orificio usando una llave de 7/16 pulgadas o un adaptador para orificios profundos.

2. Instalación con un soporte en ángulo recto

A. Fije el soporte en la superficie de instalación deseada utilizando (2) tornillos para metales laminados.

B. Atornille el interruptor de clavija en el soporte.

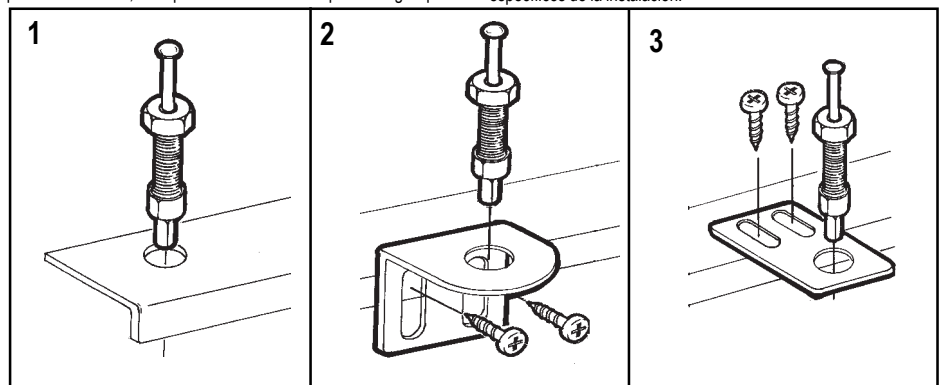
NOTA: La altura del interruptor de clavija puede ajustarse aflojando los tornillos y moviendo el soporte hacia arriba o hacia abajo.

3. Instalación con un soporte plano

A. Fije el soporte a la superficie de instalación con (2) tornillos para metales laminados.

B. Atornille el interruptor de clavija en el soporte.

NOTA: Este soporte puede doblarse para adaptarlo a los requisitos específicos de la instalación.



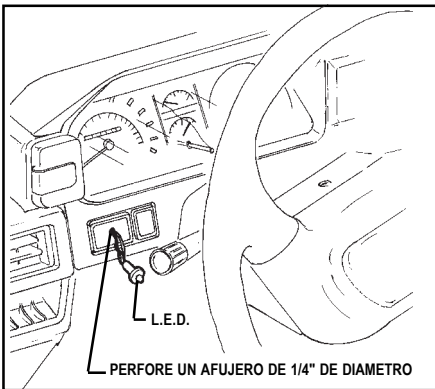
3. Instalación del indicador L.E.D. en el tablero de instrumentos

Elija un lugar del tablero de instrumentos o la consola central que proporcionará la mayor visibilidad desde cualquier ángulo afuera del vehículo (la ventanilla del conductor, la ventanilla del pasajero, la ventanilla trasera, etc.)

IMPORTANTE: Cerciórese de que haya suficiente espacio para el cuerpo del L.E.D. atrás del panel en el lugar elegido. También deberá asegurarse de que el taladro no perforé ningún cable ni dañe algún otro componente después de pasar por el panel. Siempre es mejor quitar el panel del vehículo antes de perforar el agujero.

Para instalar el L.E.D.:

- Perfore un orificio de 1/4 pulgadas de diámetro en el lugar de instalación elegido.
- Pase los cables del L.E.D. por el orificio desde la parte delantera del panel y ejerza presión sobre el cuerpo del L.E.D. hacia adentro del agujero hasta que quede bien asentado.



4. Instalación del interruptor de palanca del modo valet

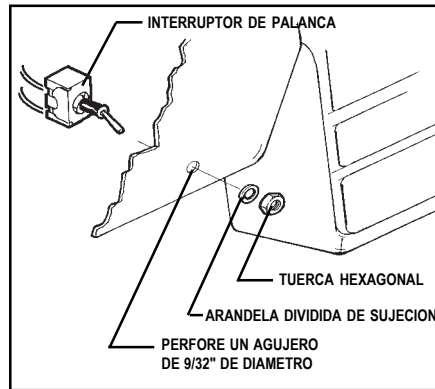
Elija un lugar plano en el borde inferior del tablero de instrumentos, donde el interruptor quede bien a mano para el conductor, pero que no se pueda tocar en forma accidental. Otras alternativas de lugares de instalación pueden ser el panel lateral del conductor o el costado de la tapa inferior de la columna de dirección.

Dado que se trata de un interruptor de derivación "protegido" (solamente funcionará cuando la llave esté en el contacto), no es necesario que esté escondido; pero siempre se recomienda esconderlo porque proporciona un mayor grado de seguridad al vehículo.

IMPORTANTE: Cerciórese de que haya suficiente espacio atrás del panel para el cuerpo del interruptor en el lugar elegido. También deberá asegurarse de que el taladro no perforé ningún cable ni dañe algún otro componente después de pasar por el panel. Siempre es mejor quitar el panel del vehículo antes de perforar el agujero

Para instalar el interruptor de derivación del modo valet:

- Perfore un agujero de 9/32 pulgadas de diámetro en el lugar elegido para el interruptor.
- Pase el interruptor por el agujero desde atrás del panel y asegúrelo por adelante usando la arandela dividida de sujeción y la tuerca hexagonal provistas.



Page 22

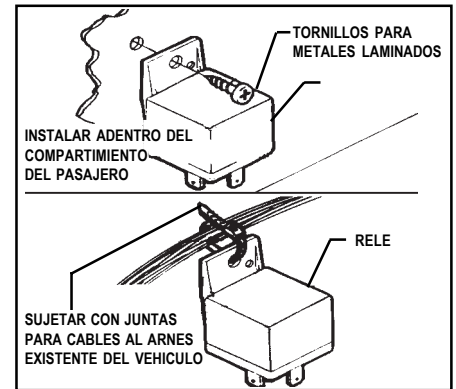
5. Instalación de los (2) relés

Los relés pueden instalarse en el compartimiento del motor, pero es mejor instalar el relé de corte del arrancador en el compartimiento del pasajero, donde no estará expuesto al medio ambiente. El relé que se utilizará para desactivar el arrancador del vehículo deberá instalarse cerca de los cables del interruptor de encendido o contacto. El relé que se usará para destellar las luces de estacionamiento del vehículo deberá instalarse cerca del conjunto delantero de luces de estacionamiento.

Para instalar los relés:

- Enrosque el relé en la superficie de montaje, utilizando un tornillo para metales laminados a través del agujero de la lengüeta de montaje del relé.
- Fije el relé a un arnés de cables que ya exista o a algún otro componente utilizando juntas para cables.

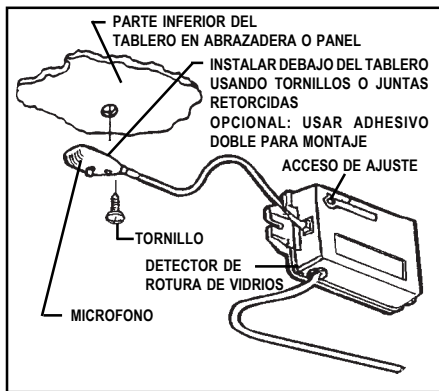
6. Instalación del detector de rotura de vidrios:



El módulo detector de rotura de vidrios deberá instalarse detrás del tablero de instrumentos, en un lugar que permitirá enchufar el cable de extensión del micrófono. Se habrá de instalar el micrófono en el borde inferior del tablero de instrumentos, apuntando hacia la parte trasera del vehículo. No se recomienda instalar el micrófono en los paneles de plástico duro o los conductos de plástico del aire acondicionado, dado que la expansión y contracción normal de los plásticos puede ocasionar ruidos que generen una falsa alarma. También deberá colocar el micrófono por debajo del nivel de la vista, dado que el L.E.D. rojo comenzará a parpadear intermitentemente cuando detecte un ruido agudo.

Para instalar estos componentes:

- A. Use los tornillos o las juntas retorcidas para instalar el módulo detector de rotura de vidrios detrás del tablero de instrumentos.
- B. Instale el micrófono con el tornillo provisto o un adhesivo doble opcional.
- C. Enchufe el cable del micrófono en el módulo detector de rotura de vidrios y asegure el cable en todo su recorrido con juntas para cables.



CABLEADO DEL SISTEMA

Efectuar las conexiones al vehículo, según lo que se describe en esta sección de cableado, puede representar una tarea que supera los conocimientos técnicos del consumidor medio. Si tiene alguna pregunta respecto de los procedimientos de cableado, sírvase llamar a un técnico especialista en automóviles, o bien llame a la LINEA TELEFONICA SIN CARGO DE AUDIOVOX al 1-800-225-6074. Antes de efectuar alguna conexión, deberá usar un medidor lógico de 12 voltios para confirmar el punto de conexión adecuado.

IMPORTANTE: El conector blanco de 9 clavijas que está en el extremo del arnés principal que se enchufa en el módulo de control de la sirena debe quedar desconectado durante la porción de cableado de la instalación. Al dejarlo desconectado, se asegurará de que los transmisores de llavero estén bien programados más adelante en la instalación.

1. Colocación del arnés de cables

Los cables AZUL OSCURO, GRIS, ANARANJADO, MARRON Y BLANCO deben pasarse por la mampara cortafuegos y hacia adentro del compartimiento del pasajero del vehículo.

En la mayoría de los casos, el cable ROJO también se pasará hacia el compartimiento del pasajero, hasta el fusible de la luz de posición auxiliar. Antes de proseguir con la colocación de los cables, verifique la ubicación del fusible de la luz de posición auxiliar, dado que un pequeño porcentaje de los vehículos tienen este fusible en el compartimiento del motor, y en estos casos no será necesario pasar el cable ROJO por la mampara cortafuegos.

Si ha instalado un interruptor de clavija en el baúl, también necesitará pasar el cable de extensión VERDE OSCURO por la mampara cortafuegos y hasta el interruptor de clavija previamente instalado en el baúl.

Después de confirmar la ubicación de estos componentes, pase los cables AZUL OSCURO, BLANCO, GRIS Y ROJO hacia sus puntos de conexión. Trabaje con mucho cuidado al pasar los cables. Mantenga los cables alejados de todas las superficies calientes y de cualquier pieza móvil del vehículo (ventilador del radiador, articulación del acelerador o del pedal de freno, etc.)

Al pasar los cables por la mampara cortafuegos, asegúrese de pasar los cables por algún ojal de goma existente; en caso contrario, se podrían dañar los cables con los bordes metálicos afilados y producir, en última instancia, alguna falla en el sistema de seguridad.

2. Conexión del cable ROJO

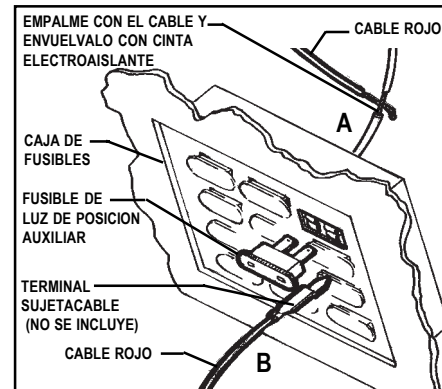
Ubique la luz de posición auxiliar. Ambos lados del fusible marcarán 12+ voltios en el medidor lógico cuando el fusible esté conectado. Quite el fusible y pruebe los contactos donde se enchufa el mismo. Uno de los contactos no indicará +12 voltios. Este es el lugar donde se conectará el cable ROJO.

Método A de conexión:

- A. Ubique el cable que sale de este terminal del fusible en la parte trasera de la caja de fusibles.
- B. Empalme el cable ROJO del arnés a este cable y aislole con cinta electroaislante.

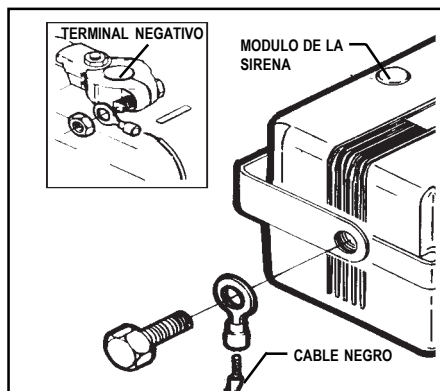
Método B de conexión:

- A. Los terminales sujetafusibles, en los que se enchufarán los contactos del fusible, se consiguen en la mayoría de las tiendas de productos electrónicos. Este método de conexión puede resultar más fácil en algunos vehículos.
- B. Consulte las instrucciones específicas que traen los terminales sujetafusibles.



3. Conexión del cable NEGRO

El cable NEGRO más grande (no el cable negro delgado de la antena) deberá haberse conectado a tierra durante el procedimiento de instalación del módulo de la sirena. Si no estuviera seguro de la confiabilidad de la conexión a tierra del soporte de montaje del módulo de la sirena, puede conectar el ojal del extremo del cable NEGRO a cualquier perno no pintado de la mampara cortafuegos o la defensa o parachoques, que se enrosque directamente en una superficie metálica del vehículo.



4. Conexión del cable BLANCO

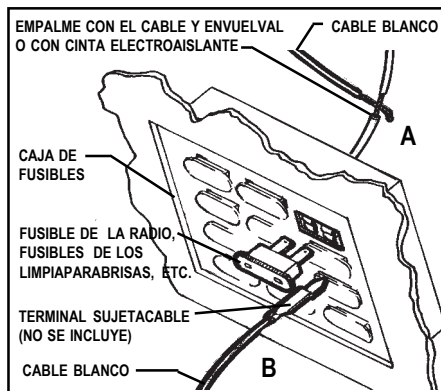
Ubique un fusible en la caja de fusibles del vehículo que marque +12 voltios en el medidor lógico cuando la llave de contacto esté en la posición "ON" o "RUN", y que marque 0 voltios cuando la llave se encuentre en la posición "OFF" (fusible de la radio o del limpiaparabrisas). Después de haber ubicado un fusible adecuado, mueva la llave de contacto a la posición "ON", quite el fusible y pruebe los contactos en los que se conecta el fusible. Uno de los contactos no marcará 12 voltios en el medidor lógico; este es el lugar en que se conectará el cable BLANCO.

Método A de conexión:

- A. Ubique el cable que sale de este terminal del fusible en la parte trasera de la caja de fusibles.
- B. Empalme el cable BLANCO del arnés a este cable y aislalo con cinta electroaislante.

Método B de conexión:

- A. Los terminales sujetafusibles, en los que se enchufarán los contactos del fusible, se consiguen en la mayoría de las tiendas de productos electrónicos. Este método de conexión puede resultar más fácil en algunos vehículos.
- B. Consulte las instrucciones específicas que traen los terminales sujetafusibles.



Page 24

5. Conexión del cable MARRON

Continúe pasando el cable MARRON (junto con el cable VERDE OSCURO para la conexión con el interruptor de clavija del baúl) hacia la parte trasera del vehículo y quite los paneles para dejar al descubierto las luces de marcha atrás.

Coloque la llave de contacto en la posición "ON" (NO ARRANQUE EL VEHICULO), ponga el freno de mano y mueva el selector de marchas hacia la marcha atrás. Vaya hasta la parte trasera del vehículo y verifique que las luces de marcha atrás estén encendidas.

Pruebe los cables que van a la luz de la marcha atrás y ubique el cable que marca +12 voltios en el medidor lógico. Vuelva a mover el selector de marchas a la posición de estacionamiento y verifique que este mismo cable ahora indique 0 voltios. Este es el lugar en que se conectará el cable MARRON.

Empalme el cable MARRON con este cable y aislalo con cinta electroaislante.

6. Conexión del L.E.D.

6a. Conexión del cable AZUL OSCURO

Conecte el cable AZUL OSCURO del arnés principal de cables al cable AZUL del L.E.D. instalado en el tablero de instrumentos. Asegúrese de aislar esta conexión con cinta electroaislante.

6b. Conexión del cable ROJO del L.E.D.

Empalme con el cable ROJO del L.E.D. instalado en el tablero de instrumentos al cable ROJO más grande del arnés principal. Asegúrese de aislar este empalme con cinta electroaislante.

7. Conexión del interruptor del modo valet

7a. Conexión del cable GRIS

Conecte el cable GRIS del arnés principal de cables al cable GRIS del interruptor del modo valet. Asegúrese de aislar esta conexión con cinta electroaislante.

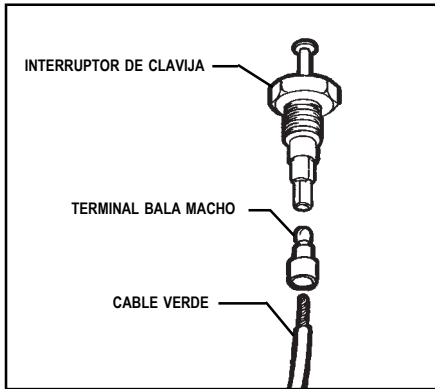
7b. Conexión del cable NEGRO del interruptor del modo valet

Conecte el cable NEGRO del interruptor del modo valet a una parte metálica del vehículo que esté conectada a tierra. Puede conectarse con cualquier perno metálico no pintado que se atornille en la estructura interna del panel lateral.

8. Conexión del cable verde oscuro

Recorte el cable VERDE OSCURO hasta alcanzar el largo adecuado, quite 1/4 pulgada de la aislación y pliegue uno de los terminales bala machos provistos en el extremo del cable. Conecte el terminal bala en el receptáculo de la parte inferior del interruptor de clavija del capó.

Si ha instalado un interruptor en el baúl, ya habrá pasado el cable de extensión VERDE OSCURO hacia la parte trasera del vehículo. Pliegue el terminal bala hacia el extremo de la extensión y conéctelo en la parte inferior del interruptor de clavija del baúl. También tendrá que empalmar el otro extremo del cable de extensión VERDE OSCURO con el cable VERDE OSCURO del arnés principal, y aislar el empalme con cinta electroaislante.



11. Conexión del módulo detector de rotura de vidrios

9. Conexión del relé de desactivación del arrancador

IMPORTANTE: El relé viene con (1) cable NEGRO suelto. Al usar el relé para desactivar el arrancador, coloque el cable NEGRO en el conector del relé en la ubicación que se indica en el diagrama.

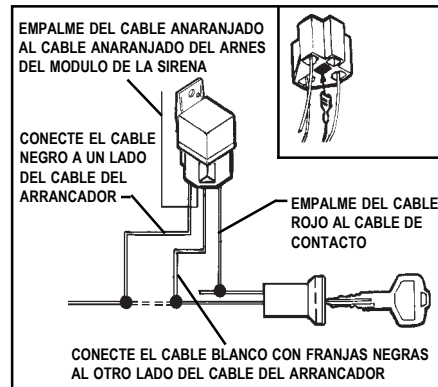
9a. Conecte el cable ANARANJADO del arnés del relé al cable ANARANJADO del arnés principal. Asegúrese de aislar este empalme con cinta electroaislante.

9b. Acérquese a los cables que salen del interruptor de contacto. Conecte el cable ROJO del arnés del relé al cable del interruptor de contacto que marque +12 voltios en el medidor lógico cuando se coloque la llave de contacto en las posiciones "ON" o "RUN" y "START", y que marque 0 voltios cuando se coloque la llave de contacto en la posición "OFF". Cerciórese de aislar esta conexión con cinta electroaislante.

9c. Ubique el cable que sale del interruptor de contacto y que marque +12 voltios en el medidor lógico cuando el motor del arrancador esté en funcionamiento, y que marque 0 voltios cuando se coloque la llave de contacto en las posiciones "OFF", "ACCESSORY" y "ON o RUN". Corte este cable y trate de arrancar el vehículo para verificar que el motor del arrancador no funcionará.

Conecte el cable BLANCO con franjas NEGRAS del arnés del relé a un lado del cable del arrancador cortado y conecte el cable NEGRO al otro lado del cable cortado.

ATENCIÓN: Asegúrese de que estos cables estén bien conectados y debidamente aislados. Si esta conexión se separa, el vehículo no arrancará, aún cuando use la llave de contacto.



Page 25

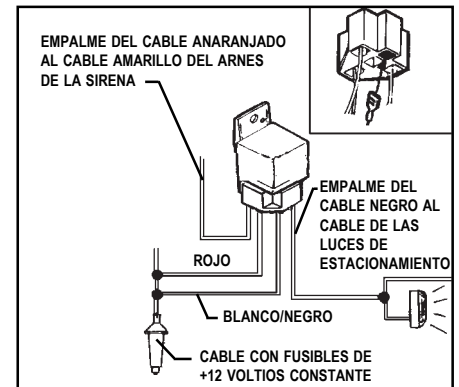
10. Conexión del relé - FUNCION DE DESTELLO DE LAS LUCES DE ESTACIONAMIENTO

IMPORTANTE: El relé viene con (1) cable NEGRO suelto. Al usar el relé para destellar las luces de estacionamiento del vehículo, coloque el cable NEGRO en el conector del relé en la ubicación que se indica en el diagrama.

10a. Conecte el cable ANARANJADO del arnés del relé al cable AMARILLO del arnés principal. Asegúrese de aislar este empalme con cinta electroaislante.

10b. Acérquese a los cables que salen de la parte trasera de uno de los zócalos de las luces de estacionamiento delanteras. Encienda las luces de estacionamiento y ubique el cable que marque +12 voltios en el medidor lógico. Apague las luces de estacionamiento y verifique que este cable marque 0 voltios. Conecte el cable NEGRO del zócalo del relé a este cable y aisle la conexión con cinta electroaislante.

10c. Conecte el cable ROJO del zócalo del relé y el cable BLANCO con franjas NEGRAS del zócalo del relé a un cable con fusibles de la batería de +12 voltios (fusibles de 15 amperios como mínimo) del vehículo. Estos cables pueden conectarse al terminal positivo de la batería, pero al conectarlos al terminal positivo deberá agregar un fusible en línea de 15 amperios como mínimo. Conecte un lado del fusible al terminal positivo de la batería y el otro lado del fusible a los cables ROJO y BLANCO con franjas BLANCAS del conector del relé.



- A. Conecte el cable ROJO del módulo detector de rotura de vidrios al cable ROJO del arnés principal del módulo de control de la sirena.
- B. Conecte el cable NEGRO del módulo detector de rotura de vidrios al cable NEGRO del arnés principal del módulo de control de la sirena o a una conexión a tierra sólida y metálica del chasis.
- C. Conecte el cable BLANCO del módulo detector de rotura de vidrios al cable VERDE OSCURO del arnés principal del módulo de control de la sirena.

12. Conector de 2 clavijas para interconexión con la cerradura de la puerta

Hay otro conector de 2 clavijas que sale del módulo de control de la sirena, con un cable ROJO y uno NEGRO. Este conector se usa para la interconexión opcional de la cerradura de la puerta, lo que trabará y destrabará en forma remota las cerraduras eléctricas que ya tienen las puertas del vehículo al activar o desactivar el sistema. Solamente debe usarse la interfaz para cerradura de puerta AA 9158 con esta alarma. Si usted no instala la interconexión para las cerraduras de las puertas, no realice ninguna conexión con estos dos cables.

PROGRAMACION DE LOS TRANSMISORES DE LLAVERO

Los dos transmisores de llavero que vienen con este sistema son transmisores de radiofrecuencia tipo "lenguaje cifrado", lo que simplemente significa que el módulo de control de la sirena aprenderá y recordará el número de código individual de cada uno de los transmisores. El módulo de control de la sirena aprenderá los códigos individuales de (2) transmisores solamente. Si intenta programar un tercer transmisor, se borrará el número de código del primer transmisor programado.

IMPORTANTE: Guarde estas instrucciones de programación en un sitio en donde las encontrará más adelante. Siempre que la batería del vehículo se desconecte para algún servicio de mantenimiento, será necesario volver a programar los transmisores.

Para programar los transmisores:

- A. El conector del arnés principal del módulo de control de la sirena ya deberá estar desconectado a esta altura del procedimiento de instalación. En caso contrario, desconecte el conector.
- B. Asegúrese de tener ambos transmisores de llavero a mano, luego conecte el conector del arnés principal en el módulo de control de la sirena. Deberá oír un "pitido" corto proveniente de la sirena.
- C. Apriete el botón de activación más grande del transmisor número 1, y manténgalo apretado hasta que la sirena emita un "pitido" prolongado.
- D. De inmediato apriete y mantenga apretado el botón de activación más grande del transmisor número 2 hasta que la sirena emita un "pitido" prolongado.
- E. Los dos transmisores ya están programados. Usted puede comprobarlo apretando el botón de activación de cada uno de los transmisores, lo que resultará en la correspondiente indicación "ACTIVADO" o "DESACTIVADO" en el módulo de la sirena.

IMPORTANTE: Si solamente uno de los transmisores está en funcionamiento, repita el procedimiento de programación. Una vez que el conector del arnés esté conectado, tendrá sólo 15 segundos para programar ambos transmisores. Este período breve es necesario para brindar un alto nivel de seguridad.

TERMINACION DE LA INSTALACION

Notará que hay (5) cables adicionales que salen directamente de la salida de goma para cables del módulo de control de la sirena, los que no forman parte del arnés principal. Estos cables se usan para adaptar la instalación a las necesidades personales y son necesarios en algunos vehículos.

1. Cable fino NEGRO

Este es el cable de la antena para el receptor que está incorporado en el módulo de control de la sirena. Extienda completamente este cable y colóquelo lo más alto posible en el compartimiento del motor para lograr una distancia máxima para el transmisor.

2. Cable en bucle NEGRO

Este par de cables sale de la salida de goma y está terminado con conectores de pala hembra y macho de 1/8 pulgadas.

Se puede programar este sistema para activarse en forma activa o pasiva. Los descuentos en las pólizas de seguros son mucho más grandes para los sistemas de seguridad con activación pasiva. La activación pasiva implica que el sistema de seguridad sólo se activará al oprimir el botón del transmisor. Para elegir la función de activación activa, simplemente enchufe los dos terminales juntos en el cable en bucle NEGRO.

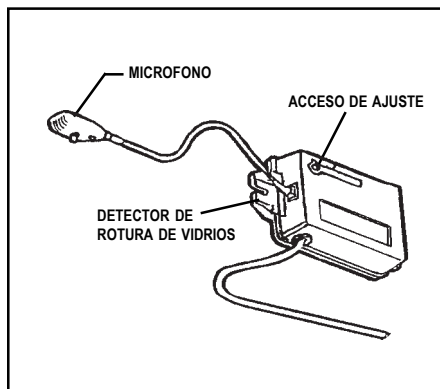
La activación pasiva significa que el sistema de seguridad se activará automáticamente 60 segundos después de haber apagado la llave de contacto. Todavía dispondrá de la opción de activar el sistema de inmediato al apretar el botón del transmisor, pero si se olvida de hacerlo, el sistema se activará automáticamente y brindará protección total al vehículo. Para elegir la función de activación pasiva, asegúrese de que los dos terminales del cable en bucle NEGRO estén desconectados y aisle individualmente cada uno de los extremos con la cinta electroaislante.

3. Cable en bucle AZUL

Este cable sale de la salida de goma y vuelve inmediatamente a la misma.

El módulo de control de la sirena viene de fábrica programado para ser activado verbalmente. Si desea eliminar la respuesta vocal del sistema (sustituya la palabra "ARMED" con un solo "pitido" - reemplace la palabra "DISARMED" con dos "pitidos" - cambie la palabra "INTRUSION" por cuatro "pitidos" y reemplace las palabras "ATTENTION, BACKING UP" por tres pitidos-pausa-tres pitidos... etc.), simplemente corte este bucle del cable azul y aisle individualmente ambos lados con cinta electroaislante.

NOTA: El mensaje de voz "ATTENTION INTRUSION" durante el ciclo de alarma de 60 segundos siempre estará activo. No hay forma de eliminar este mensaje vocal.



4. Cable en bucle BLANCO

Este cable sale de la salida de goma y vuelve inmediatamente a la misma.

Tres minutos después de haber activado la alarma, el circuito de detección de voltaje se activa. Esta detección de voltaje controla el nivel de voltaje del vehículo y cuando nota un cambio (por ejemplo, una puerta se abre y las luces interiores se encienden), se prende la alarma.

Muchos vehículos traen un ventilador refrigerador electrónico, que automáticamente se enciende después de que se apaga el vehículo. Si este ventilador se enciende poco después de que se ha activado la alarma, el sistema no se comenzará a funcionar debido al retardo de tres minutos.

Si su vehículo no tiene un ventilador refrigerador electrónico que se encienda después de que se apaga el vehículo, puede optar por pasar por alto el retardo de activación de tres minutos del circuito detector de voltaje. El sistema puede modificarse para que a los seis segundos después de la activación, se active el circuito detector de voltaje. El retardo de tres minutos puede eliminarse cortando el bucle del cable BLANCO. Después de cortar este bucle del cable BLANCO, aisle individualmente ambos extremos del cable con cinta electroaislante. No corte este bucle si el vehículo está equipado con un ventilador refrigerador electrónico, dado que podrá producirse falsas alarmas.

5. Cable en bucle VERDE

Este cable sale de la salida de goma y vuelve inmediatamente a la misma.

Al corta este cable se eliminará la función de detección de voltaje de la alarma. Cuando se corta este cable, al abrir las puertas no se encenderá el sistema. Este cable en bucle deberá cortarse únicamente si desea proteger el vehículo contra golpes abruptos contra los paneles de vidrio o chapa, pero no quiere que la alarma se encienda al abrir una puerta.

6. Toques finales

Si queda algún cable del arnés principal que usted no conectó, simplemente porque no quiso activar una determinada función, tendrá que aislar los extremos de estos cables con cinta electroaislante y atarlos en un lugar donde no puedan dañarse, o simplemente quitar cualquier cable que no se use del conector del arnés principal.

AJUSTE DE LA SENSIBILIDAD DEL DETECTOR DE CHOQUE

El propósito de un detector de choque es "detectar" los impactos fuertes sobre los paneles de vidrio y chapa del vehículo, pero no prestar atención alguna a los golpes suaves que sufra el vehículo. Esta alarma está programada para indicar estos impactos de dos maneras.

Un golpe más suave hará que la alarma emita una serie de sonidos en forma de "pitidos" cortos, advirtiéndole a la persona que trate de forzar el vehículo que deje de hacerlo de inmediato.

Un golpe más fuerte hará que la alarma suene durante todo el ciclo de 60 segundos, informándole que se ha producido un intento serio de forzar el vehículo.

IMPORTANTE: Al fijar la sensibilidad del detector de choque en un nivel muy alto se producirán falsas alarmas. Se requiere bastante fuerza para romper el vidrio de un automóvil y el detector de choque debe ajustarse en forma acorde.

Antes de proceder con el ajuste, asegúrese de que todos los tornillos que sujetan el módulo de control de la sirena al soporte y que fijan el soporte en el vehículo, estén bien apretados.

Para ajustar el detector de choque:

A. Ubique y quite el pequeño tapón de goma de la parte trasera del módulo de control de la sirena.

B. Gire con suavidad el tornillo de ajuste totalmente hacia la izquierda y luego hacia la derecha [en dirección horaria] aproximadamente 1/8 de una vuelta. No gire demasiado el tornillo, dado que la rotación máxima es alrededor de 270°. Deberá dejar de ejercer presión tan pronto como sienta un poco de resistencia.

C. Cierre el capó, active la alarma (ARMED o "1 PITIDO") y deje que el detector de choque se estabilice durante seis segundos.

D. Golpee con firmeza el paragolpes delantero del vehículo con el costado del puño cerrado, teniendo en cuenta la fuerza que se necesita para romper una ventanilla.

ATENCIÓN: Nunca lleve a cabo esta prueba sobre el vidrio del vehículo dado que puede llegar a romperlo.

E. Si la alarma no sonó, o si solamente se activaron los pitidos de advertencia, entonces será necesario incrementar la sensibilidad. Desactive la alarma y abra el capó para tener acceso al módulo de control de la sirena.

F. Gire con suavidad el tornillo de ajuste 1/8 de vuelta hacia la derecha (se aumenta la sensibilidad) y repita la prueba.

G. Repita este procedimiento hasta que la alarma se encienda cuando se trate de un golpe fuerte y la alarma emita pitidos de advertencia cuando el impacto sea menos fuerte.

H. Cuando esté listo el ajuste, vuelva a colocar el tapón de goma en la parte trasera del módulo de control de la sirena.

AJUSTE DE LA SENSIBILIDAD DEL DETECTOR DE ROTURA DE VIDRIOS

No es necesario que la alarma esté activada al ajustar la sensibilidad de este detector. Simplemente observe el L.E.D. rojo del micrófono mientras realiza los ajustes.

A. Gire con suavidad el tornillo de ajuste hacia la izquierda (en dirección contraria a las agujas del reloj) hasta sentir una pequeña resistencia, luego gírelo a la derecha alrededor de 1/4 de vuelta.

B. Observe el L.E.D., vaya hasta la parte trasera interior del vehículo y golpee las manos con firmeza dos veces.

C. Si el L.E.D. se enciende por un instante, no es necesario realizar ningún otro ajuste.

D. Si el L.E.D. no se enciende, gire con suavidad el tornillo otro 1/8 de vuelta hacia la derecha y repita la prueba. Continúe hasta tanto el ajuste sea correcto.

IMPORTANTE: No fije la sensibilidad en un nivel demasiado alto, dado que al hacerlo se producirán falsas alarmas por los ruidos que haya afuera del vehículo. La sensibilidad debe fijarse para detectar el ruido fuerte de un vidrio al romperse dentro del automóvil.

OPERACION DEL SISTEMA

En esta sección se describe la operación del sistema de acuerdo con los mensajes de voz que están programados en el módulo de control de la sirena. Los tonos de pitidos equivalentes se indican entre paréntesis para aquellos usuarios que han desactivado la voz (véase las indicaciones para el cable en bucle azul).

1. Activación del sistema

A. Salga del vehículo y cierre y trabe todas las puertas.

B. Apriete y suelte el botón de activación más grande del transmisor de llavero. El sistema responderá con el mensaje "ARMED" (un solo pitido) y las luces de estacionamiento destellarán una vez.

C. El L.E.D. rojo montado en el tablero de instrumentos comenzará destellar y después de aproximadamente seis segundos, la función de detección de choque del sistema se activará. El circuito de detección de voltaje comenzará su cuenta regresiva, y después de aproximadamente tres minutos, al abrirse una puerta activada por las luces se encenderá la alarma.

D. Si se ha instalado el sistema utilizando la función de activación pasiva automática, a los 60 segundos después de apagar la llave de contacto, la alarma se activará automáticamente, siempre y cuando las tapas del capó y el baúl estén cerradas. Durante el ciclo de activación automática de sesenta segundos, el L.E.D. montado en el tablero de instrumentos destellará rápidamente.

IMPORTANTE: Si se cortó el cable en bucle BLANCO durante el procedimiento de instalación, la función de detección del voltaje de la alarma se activará a los seis segundos de activar el sistema (Véase TERMINACION DE LA INSTALACION, Cable en bucle BLANCO). No tendrá que esperar los tres minutos, al abrirse una puerta se encenderá la alarma.

2. Protección mientras el sistema está activado

- A. Al abrirse una puerta (o cualquier punto de entrada activado por las luces) la alarma sonará de inmediato durante todo el ciclo completo de 60 segundos. Las luces de estacionamiento destellarán en forma intermitente constantemente durante el ciclo de 60 segundos de la alarma.
- B. Cuando el sistema esté activado, se impedirá todo intento no autorizado de arrancar el vehículo.
- C. Mientras el sistema está activado, el L.E.D. rojo montado en el tablero de instrumentos destellará constantemente con lo que desalentará a cualquier posible ladrón.
- D. Todo impacto suave sobre los paneles de vidrio o chapa del vehículo hará que el sistema emita los pitidos de advertencia, desalentando cualquier otro intento de entrar al vehículo.
- E. Todo impacto fuerte sobre el vehículo encenderá de inmediato el sistema y la alarma sonará y las luces de estacionamiento destellarán durante todo el ciclo de alarma de 60 segundos. Al final del ciclo, la alarma se volverá a activar automáticamente y proseguirá con la protección del vehículo.
- F. Como medida extra de precaución, si usted apagó el detector de choque en forma remota, el detector de rotura de vidrios escuchará el ruido provocado por un vidrio que se rompe y hará sonar la alarma durante el ciclo completo de 60 segundos.

3. Desactivación del sistema

- A. Cuando regrese al vehículo, apriete y suelte el botón de activación más grande que tiene el transmisor de llavero. El sistema responderá con el mensaje "DISARMED" (dos pitidos) y las luces de estacionamiento del vehículo destellarán dos veces.
- B1. Si los cables de la alarma se prepararon para la operación ACTIVA, entonces el L.E.D. rojo montado en el tablero de instrumentos se apagará, indicando que el sistema está desactivado y que ya se puede entrar al vehículo con seguridad.
- B2. Si los cables de la alarma se prepararon para la operación PASIVA, entonces el L.E.D. rojo montado en el tablero de instrumentos comenzará a destellar rápidamente, indicando que el sistema está desactivado, pero en la modalidad de reactivación automática. A los 60 segundos de desactivar el sistema, tendrá que mover la llave de

contacto a la posición ON para evitar que el sistema se vuelva a activar.

4. Desactivación después de una intrusión

Al desactivar, si el sistema responde con el mensaje "INTRUSION" (cuatro pitidos) y las luces de estacionamiento del vehículo destellan tres veces, usted estará avisado de que se encendió la alarma durante su ausencia. Además, el L.E.D. rojo montado en el tablero de instrumentos parpadeará tres veces ... hará una pausa ... otras tres veces ... etc. para brindarle una indicación visual adicional de que se había encendido la alarma. Estos indicadores de intrusión están almacenados en la memoria del sistema y no se borrarán al poner en contacto la llave del automóvil.

5. Reducción de la sensibilidad del detector de choque por medio del transmisor de llavero

Pueden presentarse situaciones en que usted desee activar el sistema, pero reduciendo la sensibilidad del detector de choque, o simplemente quiera apagar totalmente el detector de choque. Esta función puede ser útil durante grandes tormentas de truenos, o cuando estacione el automóvil cerca de una obra en construcción.

Para activar y disminuir la sensibilidad de choque:

- A. Siga el procedimiento de activación normal apretando el botón más grande del transmisor de llavero.
- B. Inmediatamente después de la activación, apriete y suelte el botón más pequeño del transmisor de llavero.
- C. A los cinco segundos aproximadamente, la sirena emitirá un pitido prolongado, indicando que la sensibilidad del detector de choque se redujo en un 30 por ciento.

Para activar y apagar el detector de choque:

- A. Siga el procedimiento de activación normal apretando el botón más grande del transmisor de llavero.
- B. Inmediatamente después de la activación, apriete y suelte el botón más pequeño del transmisor de llavero dos veces.
- C. A los cinco segundos aproximadamente, la sirena emitirá un sonido de pitido corto, seguido por un pitido prolongado, indicando que se apagó el detector de choque.

IMPORTANTE: Todas las veces que se haya ajustado el detector de choque utilizando el transmisor de llavero, la activación y reactivación del sistema servirá para que el detector de choque vuelva a su nivel normal de sensibilidad de operación.

6. Operación a la distancia en caso de emergencia

La alarma puede activarse por medio del transmisor de llavero para atraer la atención al vehículo durante una situación de emergencia.

Para activar la función de emergencia:

- A. Apriete y mantenga apretado el botón más grande del transmisor de llavero durante 3 segundos.
- B. La alarma sonará y continuará haciéndolo durante 60 segundos.
- C. Para apagar la alarma antes de que termine el ciclo de 60 segundos, apriete y suelte el botón más grande del transmisor de llavero.

ADVERTENCIA: En casi todos los casos es ilegal activar la alarma cuando el vehículo se encuentra en movimiento. Por la seguridad de sus pasajeros y los demás motoristas, no active la alarma cuando su vehículo esté en movimiento.

7. Operación del interruptor del modo valet

Si pierde o no encuentra el transmisor de llavero, o bien si el transmisor falla y no desactiva el sistema, existe un interruptor de derivación para casos de emergencia que desactiva temporalmente el sistema. Para usar este interruptor:

- A. Abra la puerta del conductor. Sonará la alarma.
- B. Coloque la llave en el contacto y gírela hasta la posición "ON".
- C. Mueva el interruptor del modo valet a la posición "ON". Se desactivará la alarma y se podrá poner en marcha el vehículo.
- D. El L.E.D. montado en el tablero de instrumentos quedará encendido constantemente hasta que se saque al sistema del modo valet. Cuando se encuentra en el modo valet, todas las funciones de seguridad del sistema no están en funcionamiento y el sistema no puede activarse hasta tanto sacarlo de esa modalidad. La función para casos de emergencia y la función opcional de ingreso sin llave funcionan cuando el sistema se encuentra en el modo valet.

Para sacar al sistema del modo valet:

- A. Coloque la llave de contacto en la posición "ON" y luego mueva el interruptor del modo valet a la posición "OFF".
- B. El L.E.D. montado en el tablero de instrumentos se apagará y el sistema volverá a la operación normal.

8. Alerta de reserva

Para mayor seguridad, especialmente en las zonas residenciales, el sistema incluye una alerta de reserva.

En cualquier momento en que el automóvil esté en funcionamiento y se mueva el selector de marchas hacia la marcha atrás, el sistema responde con el mensaje "ATTENTION BACKING UP" (3 pitidos ... pausa ... 3 pitidos) y repite este mensaje hasta que se saca el vehículo de la marcha atrás.

9. Cambio de la pila del transmisor

Los transmisores de llavero tienen un L.E.D. rojo pequeño que se puede ver a través de la tapa superior. Este L.E.D. puede usarse para indicar la condición de la pila. Notará que hay una disminución del rango efectivo del transmisor a medida que se va gastando la pila. Use un pila de 12 voltios tipo GP23A o equivalente.

Para cambiar la pila del transmisor:

- A. Quite los tornillos pequeños de cabeza Phillips de la parte inferior del transmisor y levante con cuidado la tapa superior (del lado del botón) para quitarla del transmisor.
- B. Saque la pila descargada, fijándose en la orientación de los contactos + y - y descártela como corresponda.
- C. Instale la pila nueva, teniendo la precaución de colocar los contactos + y - en la posición correcta.
- D. Vuelva a colocar la tapa del transmisor, teniendo cuidado para no dañar el L.E.D. o los interruptores de la placa del circuito.
- E. Vuelva a instalar el pequeño tornillo Phillips en la parte inferior del transmisor.

RESOLUCION DE PROBLEMAS:

Síntoma: La sirena no emite pitidos cuando se enchufa el amnés por primera vez.

Verifique:

- A. Verifique que el fusible del cable rojo del módulo de control de la sirena esté en buenas condiciones. Reemplácelo si está quemado.
- B. Verifique que las conexiones de los cables rojo y negro se hayan hecho de acuerdo con la sección de cableado de este manual.

Síntoma: Los transmisores no programa el módulo de control de la sirena.

Verifique:

- A. Tiene sólo 15 segundos después de energizar el módulo de control de la sirena para programar ambos transmisores.

Síntoma: La alarma no se activa ni desactiva con el transmisor de llavero.

Verifique:

- A. Verifique que la pila del transmisor esté en buenas condiciones. Pruebe ambos transmisores. Cambie la pila del transmisor si es necesario.
- B. Verifique que el transmisor esté programado en el módulo de control de la sirena. Cuando se desconecta la batería del vehículo, o cuando se desconecta el módulo de control de la sirena, es necesario volver a reprogramar los transmisores. Siga las instrucciones de programación de este manual.
- C. Verifique que el fusible del cable rojo del módulo de control de la sirena esté en buenas condiciones. Cámbielo si está quemado.
- D. Verifique que las conexiones de los cables rojo y negro se hayan hecho de acuerdo con las secciones de cableado de este manual.

Síntoma: La alarma no suena cuando se abre el capó o el baúl en el que se agregó un interruptor de clavija.

Verifique:

- A. Verifique que el interruptor de clavija esté puesto a la altura adecuada. El pestillo del interruptor deberá bajar 1/4 pulgada cuando se cierre la tapa del capó o el baúl.
- B. Deberá esperar aproximadamente 10 segundos después de activar el sistema para poder activar el circuito del interruptor de clavija.
- C. Verifique que el interruptor de clavija y/o el soporte del mismo estén instalados sobre una superficie metálica del vehículo que tenga conexión a tierra.

Síntoma: La alarma no suena cuando se abre una puerta que enciende la luz de posición auxiliar.

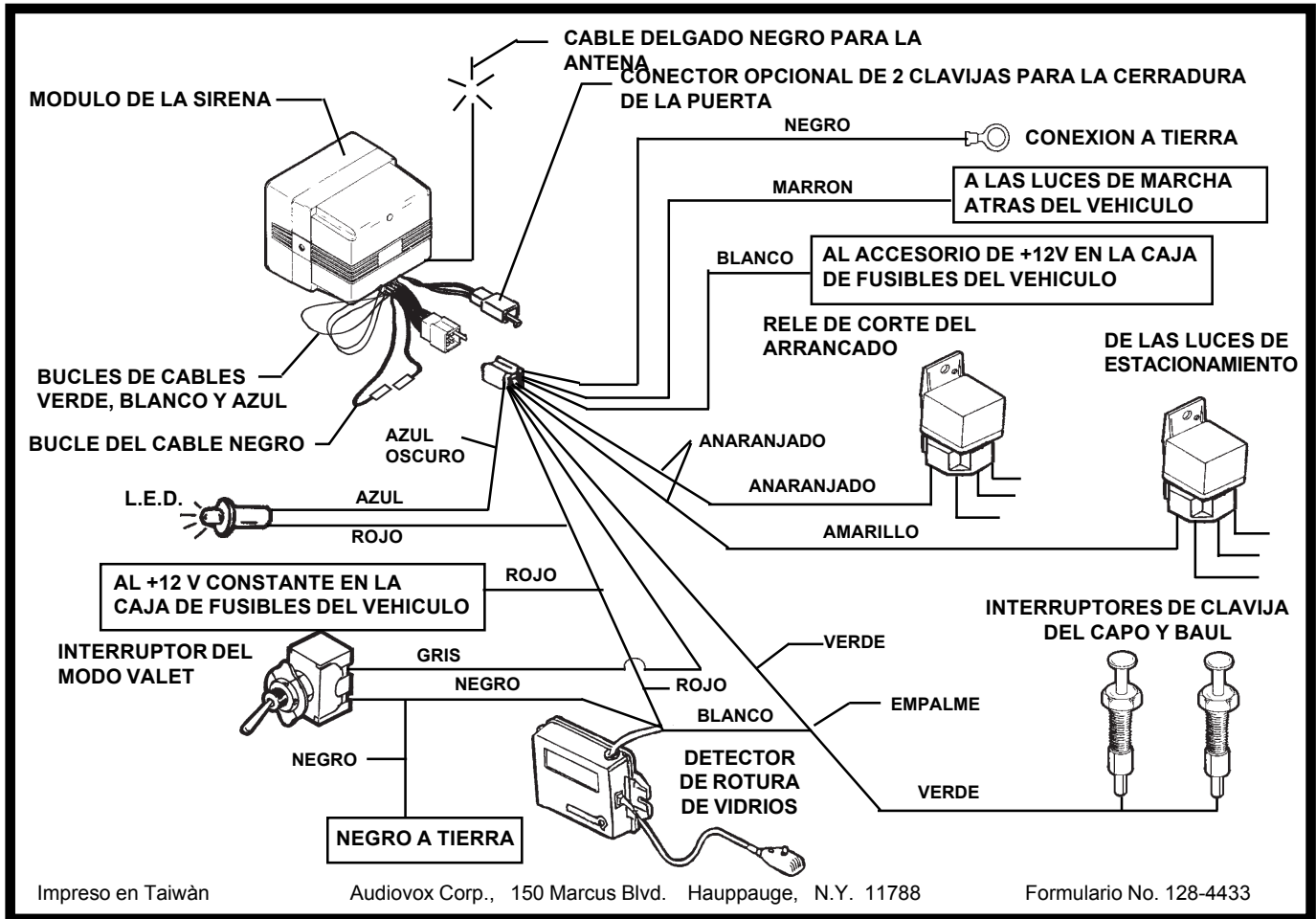
Verifique:

- A. Verifique que el interruptor del selector de luces esté en la posición correspondiente a la puerta.
- B. Verifique que la bombilla de luz se encienda. La alarma solo sonará si la bombilla se enciende. Cambie la bombilla si no se enciende.
- C. Hay un retardo de 3 minutos después de la activación, antes de que el circuito de detección de la luz de posición auxiliar se energice. Asegúrese de que hayan transcurrido los tres minutos.

Síntoma: El interruptor de paso o derivación no desactiva la alarma.

Verifique:

- A. La llave de contacto debe estar en la posición "ON" antes de activar el interruptor.
- B. Verifique las conexiones del cable GRIS, el cable NEGRO del interruptor y el cable BLANCO del amnés principal. Repare las conexiones si es necesario.



Impreso en Taiwàn

Audiovox Corp., 150 Marcus Blvd. Hauppauge, N.Y. 11788

Formulario No. 128-4433

Free Manuals Download Website

<http://myh66.com>

<http://usermanuals.us>

<http://www.somanuals.com>

<http://www.4manuals.cc>

<http://www.manual-lib.com>

<http://www.404manual.com>

<http://www.luxmanual.com>

<http://aubethermostatmanual.com>

Golf course search by state

<http://golfingnear.com>

Email search by domain

<http://emailbydomain.com>

Auto manuals search

<http://auto.somanuals.com>

TV manuals search

<http://tv.somanuals.com>