

MODEL SP-11CDP 10-DISC CD CHANGER

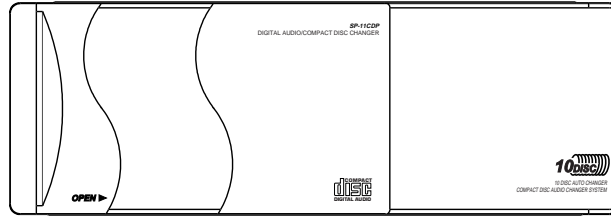


INSTALLATION MANUAL

PACKING LIST

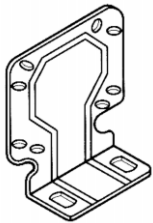
MAIN UNIT

Changer



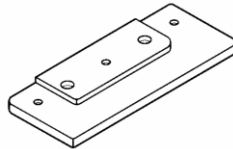
INSTALLATION PARTS

Bracket



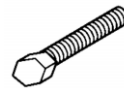
2 pcs

Stud Bracket



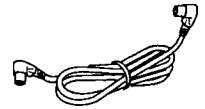
2 pcs

Hexagonal Bolt
(M6 x 15)



4 pcs.

5 Meter Din Cable



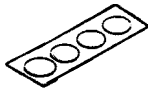
1 pc.

Machine Screw
(M4x 10)



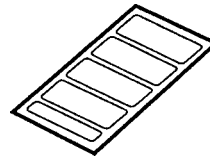
4 pcs.

Screw Hole Cover Labels



1 pc.

Index seal sheet



1 pc.

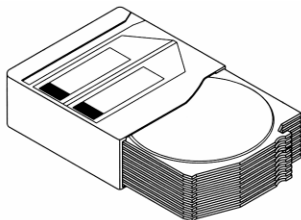
Hexagonal Nut
(M6)



4 pcs.

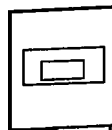
OTHER ACCESSORIES

CD Magazine (P/N SP11M)



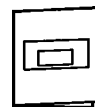
1 pc.

Installation Manual



1 pc.

Owner's Manual



1 pc.

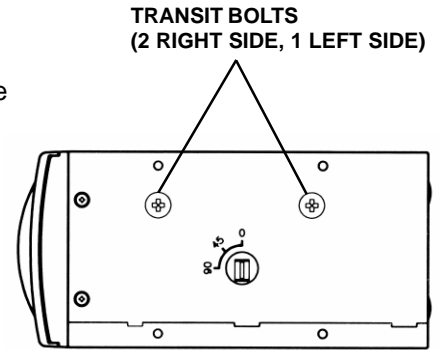
BEFORE INSTALLING THE UNIT

Transport Lock Screws

The mechanism in the CD changer is "locked" into place during shipment by the transport screws. Be sure to remove the screws prior to installation.

● Caution ●

After removing the transport lock screws, place a piece of masking tape over each screw hole. The tape will keep out dust, which could cause the unit to malfunction.



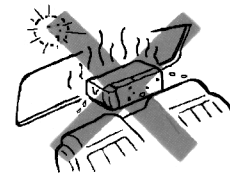
Installation and Wiring Precautions

- 1 To prevent a short-circuit,
 - Be sure to turn off the ignition and remove the negative (-) battery cable, prior to installation.
 - Connect power wires last.

Note

If the changer is to be installed in a car that is equipped with an on-board drive or navigation computer, do not disconnect the battery cable. If the cable is disconnected, the computer memory may be lost. Under these conditions, use extra caution during installation, to prevent a short circuit.

- 2 Do not install the unit in the following locations.
 - Locations exposed to direct sunlight.
 - Where hot air is discharged from the car heater.
 - In areas subject to extreme temperatures.

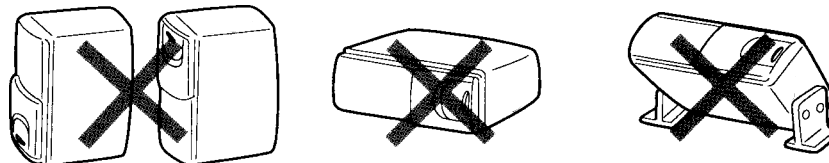


- 3 Incorrect installation can cause the sound to "skip" when playing a disc. Mount the unit firmly in place, using the supplied brackets and screws.

- 4 Be careful not to damage the car wiring.

- 5
 - Be sure to use the supplied screws.
 - Be careful not to snag any wires when tightening screws.
 - Do not use any of the screws that are part of the brake or steering system, to install the unit.

- 6
 - This unit cannot be installed on either side or up-side down. Installation in such positions will cause the mechanism to malfunction.



INSTALLATION

The unit can be installed horizontally, vertically or at a 45° angle. The position of the built-in anti-vibration springs (left and right side), must correspond to the mounting position chosen. If the springs are not set correctly for the type of installation chosen, the anti-vibration compensation will not be effective and vibration may cause the disc to skip.

CAUTION

After setting the built-in anti-vibration springs, place masking tape over the holes. The tape will keep out dust, which could cause the unit to malfunction.

HORIZONTAL INSTALLATION

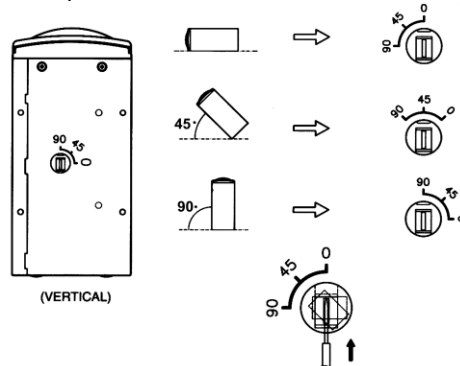
Set the 2 anti-vibration springs to position "0".

VERTICAL INSTALLATION

Set the 2 anti-vibration springs to position "90".

45° ANGLE INSTALLATION

Set the 2 anti-vibration springs to position "45".



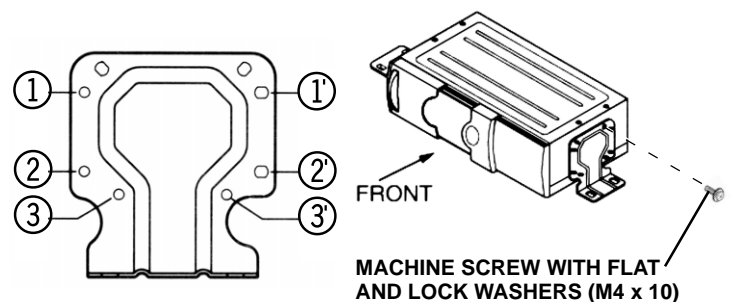
ANTI-VIBRATION SPRINGS POSITION

PROCEDURE FOR HORIZONTAL INSTALLATION W/O STUDS

- 1** Attach a bracket to each side of the unit, using the machine screws with integral flat and lock washers (M4 x 10). In the horizontal position, use bracket mounting holes 1 and 1' as shown at the right.

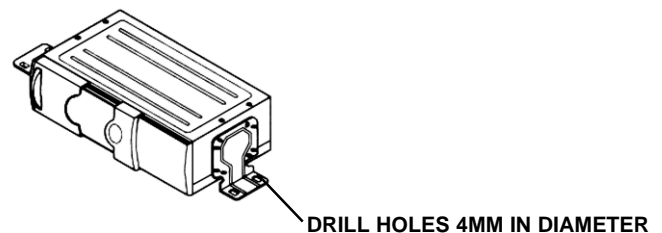
Set anti-vibration springs to position "0" as shown above.

NOTE: Use masking tape to cover unused mounting holes on sides of unit.

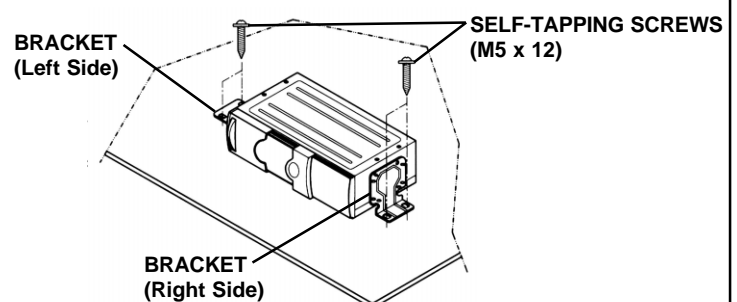


- 2** Determine unit mounting location, and drill four mounting holes.

Never mount the unit near the fuel tank.



- 3** Secure the unit in place, using four self-tapping screws (M5 x 12). Use RTV (silicone sealer) on screw threads and around the holes to prevent moisture intrusion.

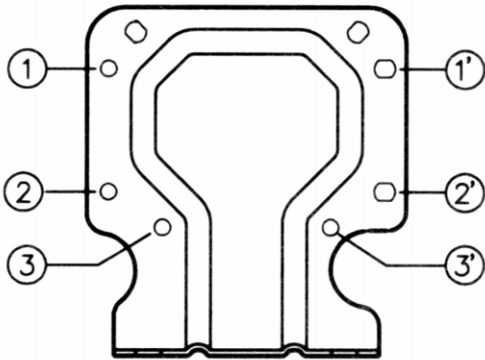


PROCEDURE FOR VERTICAL INSTALLATION W/O STUDS

Note

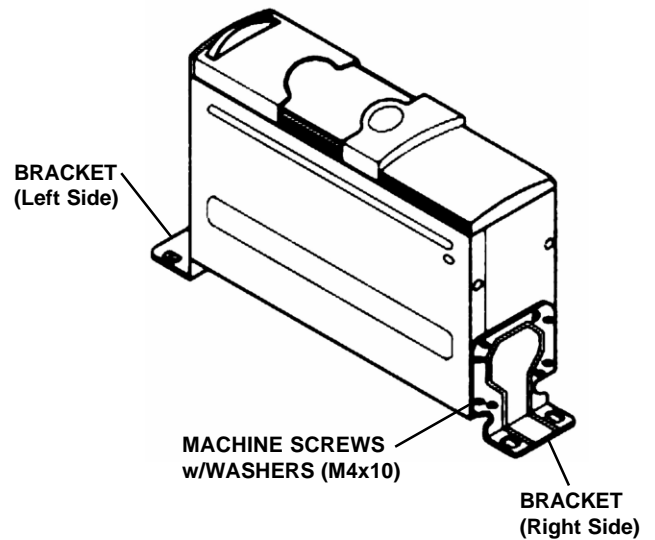
If the anti-vibration spring position has been changed and verified for vertical mounting (as shown on page 4), start with step 2.

- 1** Set the 2 anti-vibration springs to position "90".



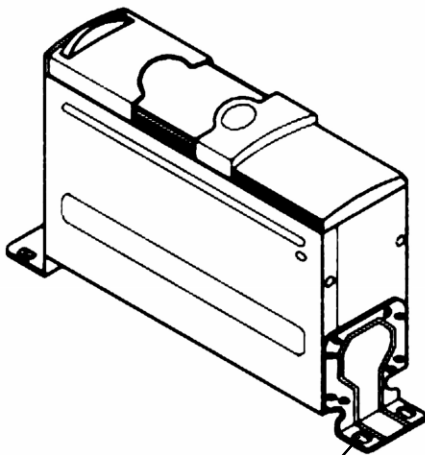
- 2** Attach bracket to each side of the unit, using machine screws with integral flat and lock washers. (M4 x 10). In the vertical position, use holes 2 and 2' as shown at left.

NOTE: Use masking tape to cover unused mounting holes on sides of unit.

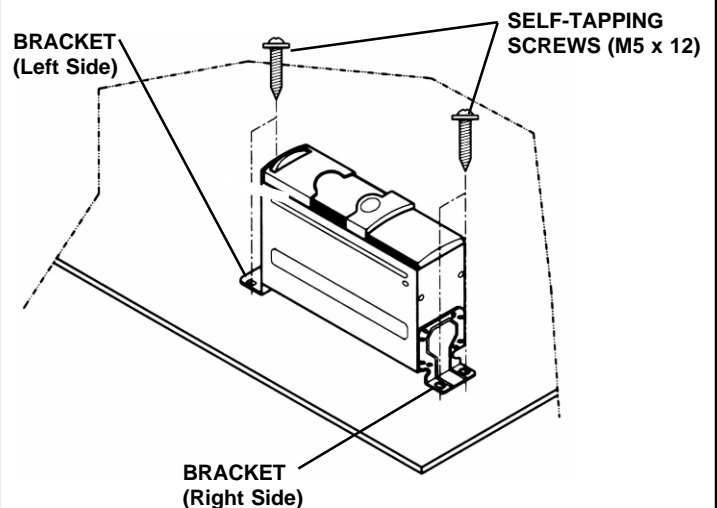


- 3** Determine the mounting location, and drill four mounting holes.

Never mount the unit near the fuel tank.



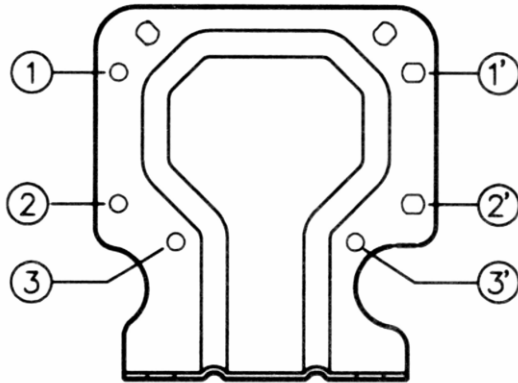
- 4** Mount the unit in place, using four self-tapping screws (M5 x 12). Use RTV (silicone sealer) on screw threads and around the holes to prevent moisture intrusion.



PROCEDURE FOR 45° ANGLE INSTALLATION W/O STUDS

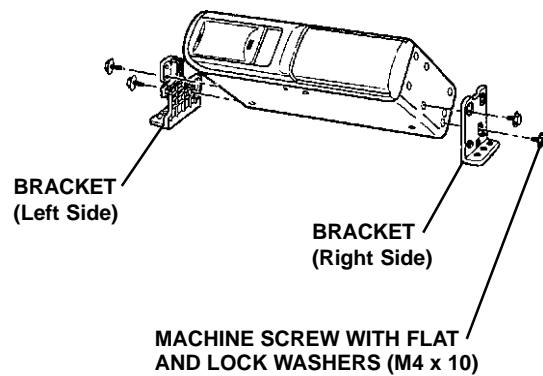
Note
If the anti-vibration spring position has been changed and verified for 45° angle mounting (as shown on page 4), start with step 2. Determine the mounting location, and drill four mounting holes.

1 Set the 2 anti-vibration springs to position "45°".

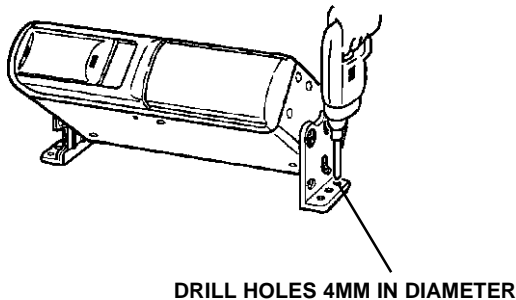


2 Attach bracket to each side of the unit, using the machine screws with flat and lock washers (M4x 10). In the 45 position, use holes 1 and 3' as shown at left.

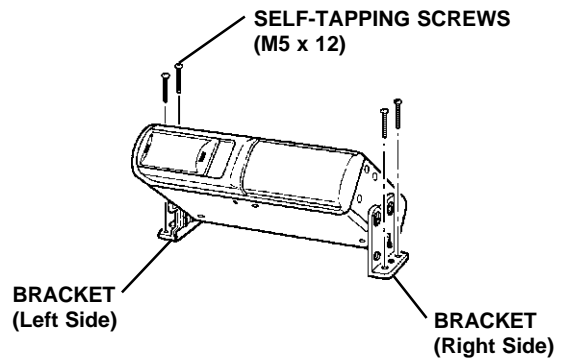
NOTE: Use masking tape to cover unused mounting holes on sides of unit.



3 Never mount the unit near the fuel tank.



4 Mount the unit in place, using four self-tapping screws (M5 x 12). Use RTV (silicone sealer) on screw threads and around the holes to prevent moisture intrusion.

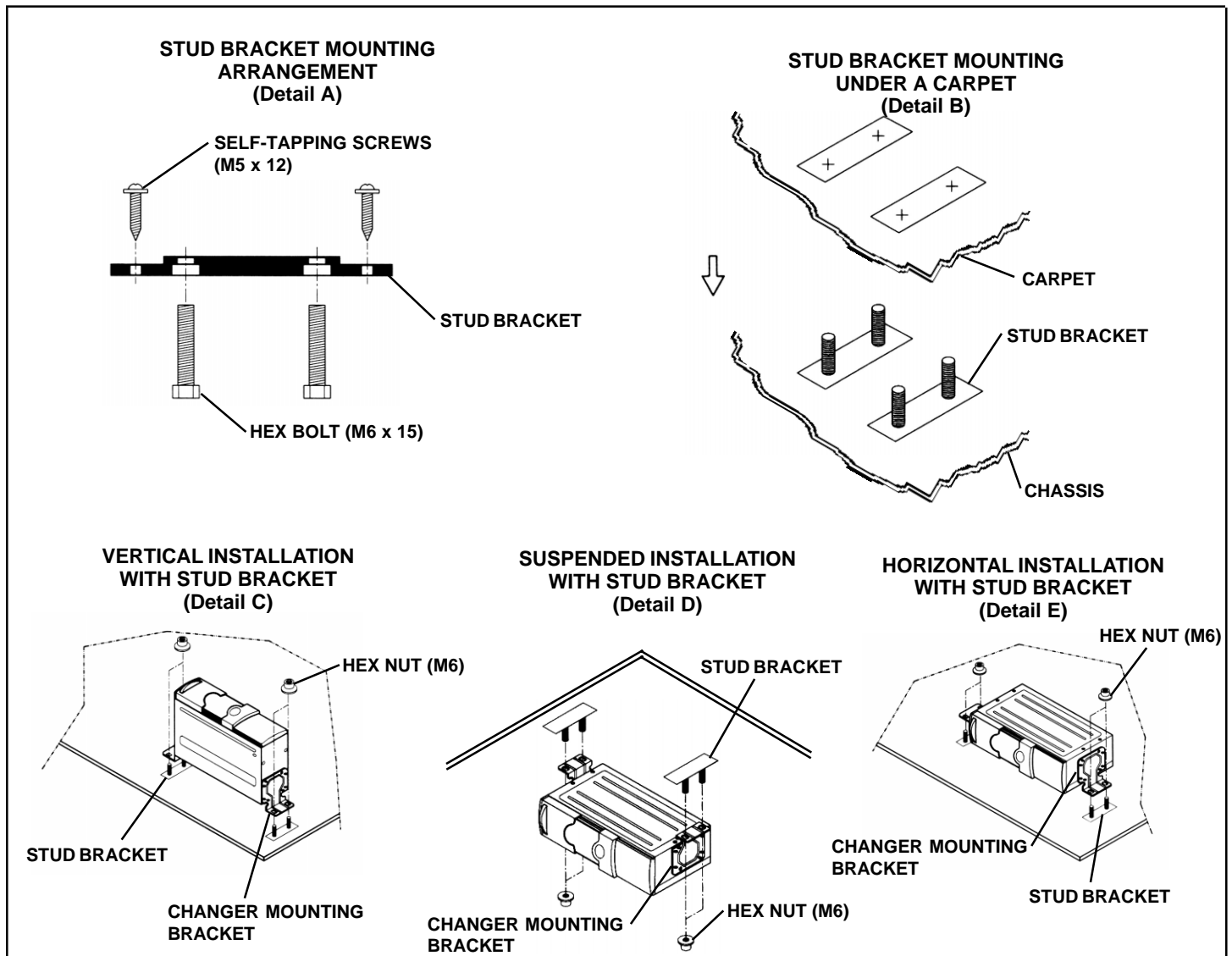


PROCEDURE FOR CHANGER INSTALLATION USING MOUNTING STUDS

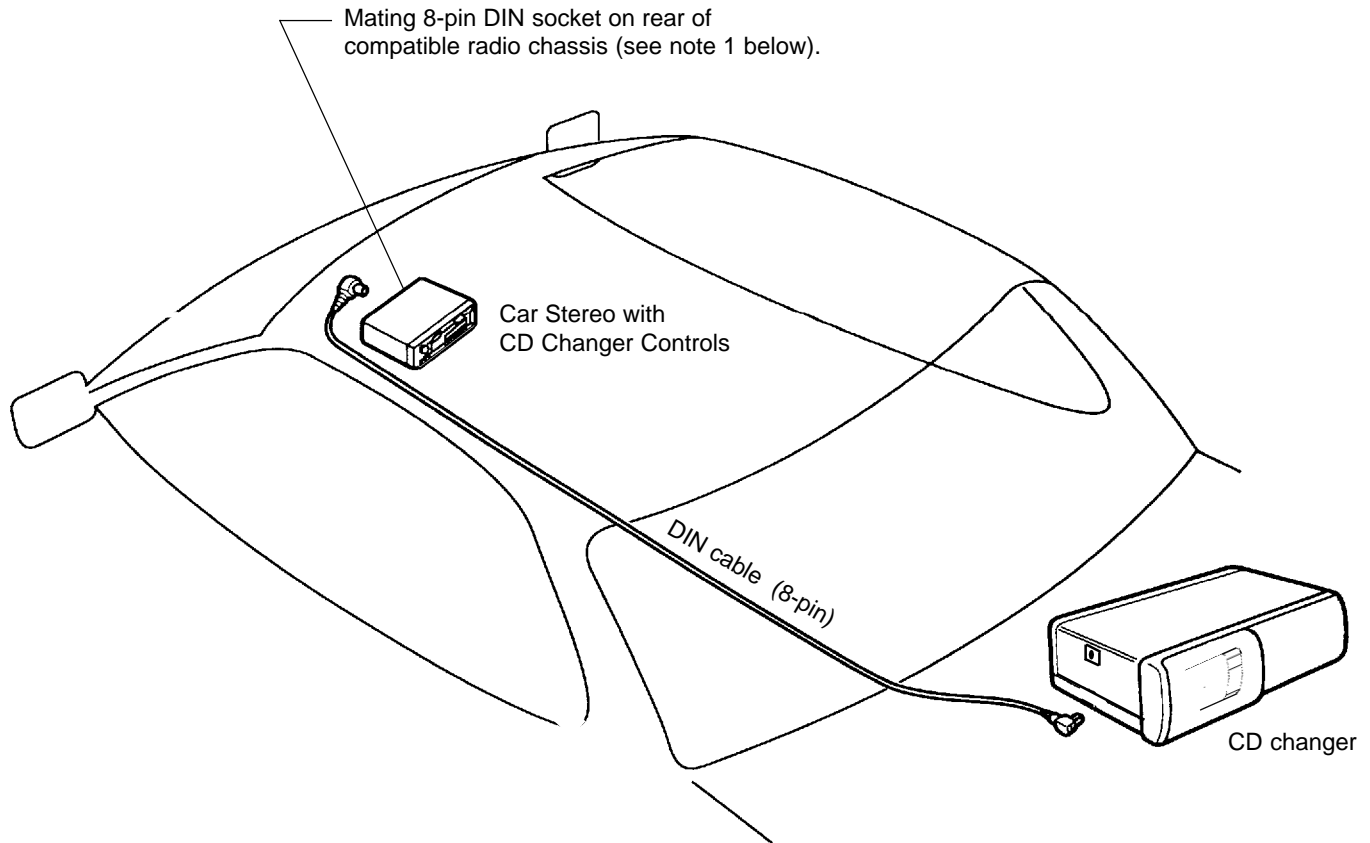
Note:

Make sure the anti-vibration spring position has been changed and verified for the proper angle mounting (as shown on page 4).

- 1 Determine mounting location. If unit is to be installed onto mounting studs located under carpet, lift carpet to expose metal chassis and mark position of each stud as shown below in detail A and B.
- 2 Insert two hexagonal mounting bolts through underside of each bracket (detail A) and mount stud bracket in position using two self-tapping screws into metal chassis. Hex bolt heads should be flush with underside of stud bracket.
- 3 Replace carpet over bracket studs (detail B), mark position of stud end of each bolt, and cut holes in carpet so bolts protrude through carpet.
- 4 Proceed with unit mounting by positioning unit mounting brackets over protruding hex bolts as shown in details C, D and E. Secure mounting brackets to bolts using hex lock nuts.
- 5 If mounting studs are to be located directly on mounting surface with no carpet in between, mount changer directly on studs as illustrated below in details A, C, D and E.



VEHICLE WIRING



- NOTE:** 1. Check with your Audiovox car audio dealer to be sure your stereo is directly compatible with this CD changer.
2. Wiring instructions for use with FM Modulator/Commander Systems are included with the CDC-MC1, CDC-MCR2, P-MC3 and P-MCR4 accessories.

Free Manuals Download Website

<http://myh66.com>

<http://usermanuals.us>

<http://www.somanuals.com>

<http://www.4manuals.cc>

<http://www.manual-lib.com>

<http://www.404manual.com>

<http://www.luxmanual.com>

<http://aubethermostatmanual.com>

Golf course search by state

<http://golfingnear.com>

Email search by domain

<http://emailbydomain.com>

Auto manuals search

<http://auto.somanuals.com>

TV manuals search

<http://tv.somanuals.com>