

In normal daily use, the TERK XM6 Outdoor Home Antenna is a rugged, high-performance antenna that does not require any special attention.

Troubleshooting

When a problem occurs with the installation of the XM6 antenna the receiver will display one of the following error messages.

ANTENNA

The antenna is not connected properly.

- Check and make sure that all the connections between the antenna, adapter and receiver are secure.

NO SIGNAL

XM signal is being blocked from reaching the XM antenna.

- Keep in mind that the antenna needs to be in the line of sight with the XM satellites. The antenna needs to be located on the outside of your house or building with an unobstructed view of the open sky.

Other Symptoms

If there are issues with your receiver, please review the receiver owners manual. Should any problem persist with your antenna after you have made the above checks, call Audiovox at the number listed below.

12 Months Limited Warranty

AUDIOVOX ELECTRONICS CORPORATION (the Company) warrants to the original retail purchaser of this product that should this product or any part thereof, under normal use and conditions, be proven defective in material or workmanship within 12 months from the date of original purchase, such defect(s) will be repaired or replaced with new or reconditioned product (at the Company's option) without charge for parts and repair labor.

To obtain repair or replacement within the terms of this Warranty, the product is to be delivered with proof of warranty coverage (e.g. dated bill of sale), specification of defect(s), transportation prepaid, to an approved warranty station or the Company at the address shown below.

This Warranty does not extend to the elimination of externally generated static or noise, to costs incurred for installation, removal or reinstallation of the product, damage to speakers, accessories, or vehicle and home electrical systems, malfunction of satellite transmissions, repeater signal or receiver unit.

This Warranty does not apply to any product or part thereof which, in the opinion of the Company, has suffered or been damaged through alteration, improper installation, mishandling, misuse, neglect, accident, or by removal or defacement of the factory serial number/bar code label(s). THE EXTENT OF THE COMPANY'S LIABILITY UNDER THIS WARRANTY IS LIMITED TO THE REPAIR OR REPLACEMENT PROVIDED ABOVE AND, IN NO EVENT, SHALL THE COMPANY'S LIABILITY EXCEED THE PURCHASE PRICE PAID BY PURCHASER FOR THE PRODUCT.

This Warranty is in lieu of all other express warranties or liabilities. ANY IMPLIED WARRANTIES, INCLUDING ANY IMPLIED WARRANTY OF MERCHANTABILITY, SHALL BE LIMITED TO THE DURATION OF THIS WRITTEN WARRANTY. ANY ACTION FOR BREACH OF ANY WARRANTY HEREUNDER INCLUDING ANY IMPLIED WARRANTY OF MERCHANTABILITY MUST BE BROUGHT WITHIN A PERIOD OF 48 MONTHS FROM DATE OF ORIGINAL PURCHASE. IN NO CASE SHALL THE COMPANY BE LIABLE FOR ANY CONSEQUENTIAL OR INCIDENTAL DAMAGES FOR BREACH OF THIS OR ANY OTHER WARRANTY, EXPRESS OR IMPLIED, WHATSOEVER. No person or representative is authorized to assume for the Company any liability other than expressed herein in connection with the sale of this product.

Some states do not allow limitations on how long an implied warranty lasts or the exclusion or limitation of incidental or consequential damage so the above limitations or exclusions may not apply to you. This Warranty gives you specific legal rights and you may also have other rights which vary from state to state.

U.S.A. : AUDIOVOX ELECTRONICS CORPORATION, 150 MARCUS BLVD., HAUPPAUGE, NEW YORK 11788 • 1-800-645-4994 CANADA : CALL 1-800-645-4994 FOR LOCATION OF WARRANTY STATION SERVING YOUR AREA 128-7351

About XM Satellite Radio
For more information about
XM Satellite Radio service,
visit www.XMradio.com

To activate your XM service
please call 1-888-539-7474

**For customer service and
technical information: 1.800.290.6650**



For Customer Service
Visit Our Website At
www.audiovox.com
Product Information, Photos,
FAQ's, Owner's Manuals

TERK and the TERK logo are registered trademarks of AUDIOVOX Corp.
The XM name and related logos are trademarks of XM Satellite Radio Inc.

XM6

Outdoor XM Satellite Radio Home Antenna

Download from www.Somanuals.com. All Manuals Search And Download.



TERK
by AUDIOVOX



Table of Contents

XM6

About Installation	2
Introduction	2
Applications	2
Box Contents	3
Placing the Antenna	3
Installation	4
Adjustments	6
Cable Installation	6
Specification	7
Use and Care	8
Troubleshooting	8
Limited Warranty	8
About XM Satellite Radio	8

About Installation

Installation of antennas can require extensive experience with a variety of mechanical and electrical procedures. Although the instructions in this guide explain how to install the TERK XM6 Outdoor XM Satellite Radio Home Antenna in a general sense, they do not show the exact installation methods for every home and/or building.

IMPORTANT: If you are not comfortable performing a complex installation, you may want to seek a professional for installation.

Introduction

The TERK XM6 Outdoor Satellite Radio Home Antenna is a high-performance antenna designed specifically for XM home receivers and XM Plug & Play systems.

The package includes all the necessary mounting hardware, to attach to a wall, roof or mast on your home or building. Remember to save your sales receipt and this guide so both are available for future reference.

NOTE: To achieve best XM Satellite Radio reception, also refer to your XM radio owner's manual.

Applications

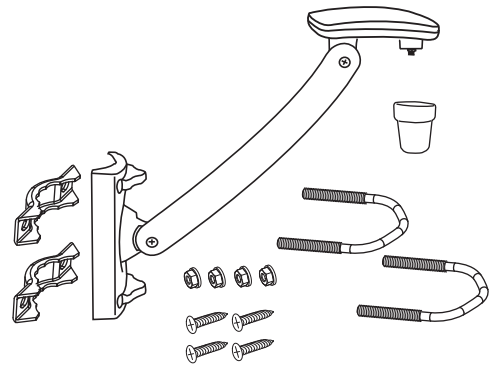
The TERK XM6 Antenna can be installed on a variety of homes and buildings in a number of different mounting options as shown in the installation section on pages 4 and 5.



Box Contents

XM6

Parts for the TERK XM6 Outdoor Home Antenna



- 1 XM6 Antenna
- 2 U-bolts, 2 mount brackets, 4 nuts
- 4 (#10) screws

Verify that your TERK XM6 package includes the above items. RG6 coaxial cable is required for installation (sold separately).

For optimized performance do not exceed a cable length of 100 feet without the use of the Terk amplifier XMAMP18 (sold separately).

Placing the Antenna

For best reception of the XM satellite signal, it is important to make sure the antenna is mounted in the proper location on your house or building and facing toward the satellites.

It is recommended that your antenna be positioned so that it has an unobstructed view of the southeastern sky in order to receive the strongest satellite signal. Most XM receivers have a signal strength indicator visible at the top of the display screen during normal listening. The signal strength is indicated by up to three vertical bars; three bars represent the strongest signal.

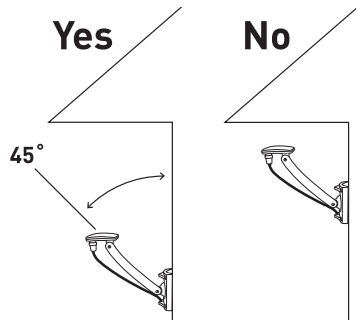


Installation

XM6

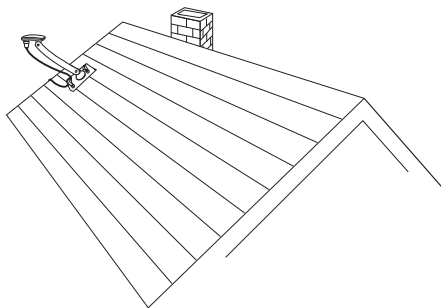
Now that you have determined where to place the antenna, you have three different mounting options. Each option is described below.

Wall Mount



Please determine where to mount the antenna. Once the mounting location has been determined, take a pencil and mark through the bracket, onto the house wall, the four screw locations. Then set the mounting bracket down and pre-drill holes in the four locations you just marked (drill bit size 3/32 is recommended with #10 screws). Position the mounting bracket over the four pre-drilled holes and screw in the top two #10 screws, that are included with this package through the mounting bracket into the wall of the house. Then screw in the bottom two. At this point, move onto the Adjustment section of the owner's manual on page 6.

Roof Mount

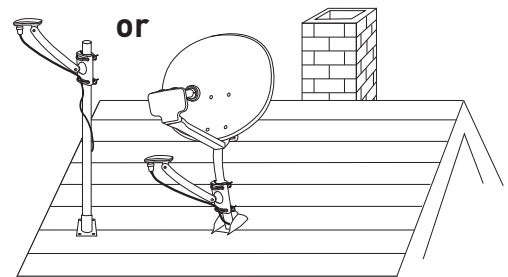


Installation

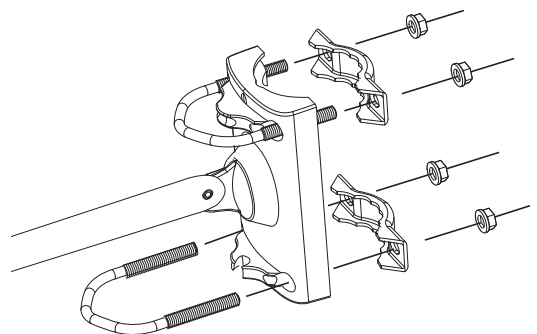
XM6

We recommend mounting the antenna on a roof as high up as possible as shown on page 4. The antenna should not be blocked by an obstruction like trees or a chimney. Once you have determined your mounting location, place the mounting bracket on that location on the roof. Take your drill and pre-drill holes, using a 3/32 drill bit, through the top two holes on the mounting bracket. Screw in two of the #10 screws included with this package, through the mounting bracket into the pre-drilled holes in the roof. Repeat this step for the bottom two holes. At this point, move onto the Adjustment section of the owner's manual on page 6.

Mast Mount



The XM6 can be mounted to most masts. We recommend mounting the antenna to a mast on the roof or on the mast of a satellite TV dish. You will need the 2 U-bolts, 2 mount brackets and 4 nuts for this installation. Once you have determined where on the mast you wish to mount the antenna, place the mounting bracket in that location against the mast. Put one of the U-bolts through the top two holes on the mounting bracket. Take one of the mount brackets and insert it through the two ends of the U-bolt on the other side of the mast. Make sure the inside of the curve of the mount bracket is towards the mast. Using one hand to hold the mounting bracket and U-bolt bracket take your other hand and place one nut on one end of the U-bolt, then turn the nut four or five complete rotations and then place one nut on the other end of the U-bolt, turn the nut four or five complete rotations. Make sure the mounting bracket is in the desired location and tighten both nuts until the mounting bracket is secure on the mast. Before mounting the bottom U-bolt, please refer to the last step on the Cable Installation section on page 6. Repeat these steps for the second U-bolt. Once complete, move to the Adjustment section of the owner's manual on page 6.



4

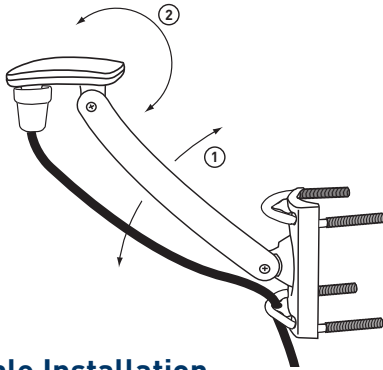
5



Adjustments

XM6

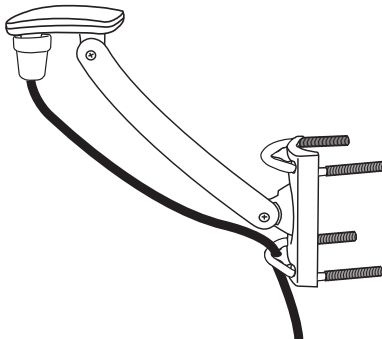
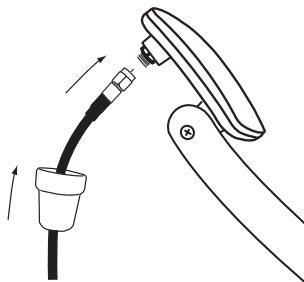
To make sure the antenna is level please make the adjustments to the antenna arm and the antenna radome. You will have to loosen the Phillips screws to rotate and adjust. Once the adjustment has been made to the desired position, tighten the Phillips screw. Be careful not to over tighten. We recommend that you make the adjustments, if needed, to each area in the order that is shown below.



Cable Installation

At this point you are ready to attach the RG6 coaxial cable (sold separately). Take either end of cable and insert it through the rubber boot then screw the connector onto the bottom of the antenna as shown below. Screw the connector on by hand as far as it can go. It is not necessary to use any special tools for this.

Once the cable is secured onto the antenna, slide the rubber onto the antenna as shown. For improved wire management, the coaxial cable can be inserted into a notch near the bottom of mounting bracket.



At this point, please determine the best way to route the rest of the cable into your home to the XM home receiver or XM Plug & Play system.

If additional cable length is required an in-line amplifier (XMAMP18) is needed for each additional 100 feet of RG6 coaxial cable.

6



Specifications

XM6

Electrical Specifications

Antenna	
Frequency:	2332.5 to 2345 MHz
Bandwidth:	12.5 MHz
Impedance:	50 ohms
Polarization:	LHCP (Circular)

LNA

Gain:	30 dB, typical
Noise Figure :	1 dB, typical
Current Drain:	70 mA, maximum

Mechanical Specifications

Antenna Dimensions:

Radome:	3 1/4" x 3 1/4"
Arm Length:	8"
Mounting bracket:	4 3/4" x 2 7/8"

Cable Type:	RG-6 coaxial (sold separately)
Cable Length:	Up to 100 feet

Connectors Antenna:	F connector
Connectors Cable:	F connector
Adapter:	F connector to SMB

Mounting Hardware

Nuts:	Stainless Steel
Screws and U-Bolts:	Stainless Steel
Weight including cable:	1.75 lbs

Other Specifications

Temperature:	-40 °F to +185 °F, operating
--------------	------------------------------

Quality and Performance Tests

XM Approved:	Per Specification RX000002H-010000
--------------	---------------------------------------

7

Free Manuals Download Website

<http://myh66.com>

<http://usermanuals.us>

<http://www.somanuals.com>

<http://www.4manuals.cc>

<http://www.manual-lib.com>

<http://www.404manual.com>

<http://www.luxmanual.com>

<http://aubethermostatmanual.com>

Golf course search by state

<http://golfingnear.com>

Email search by domain

<http://emailbydomain.com>

Auto manuals search

<http://auto.somanuals.com>

TV manuals search

<http://tv.somanuals.com>