



Models CDC-FDC

INSTALLATION GUIDE FOR:

CD CHANGER INTERFACE CABLE for 1999–2000 FORD VEHICLES

Form No. 128-5659

CAUTION: FOLLOW THE CONNECTION SEQUENCE DESCRIBED BELOW TO ENSURE PROPER RECOGNITION OF THE CD CHANGER BY THE FACTORY RADIO.
DO NOT FORCE CONNECTORS TOGETHER. LINE UP LOCATING TABS AND CAREFULLY MATE CONNECTORS.

NOTE: Only works with 6 Disc CD Changer.

INSTALLATION INSTRUCTIONS FOR THE CDC-FDC: (Fig. 1)

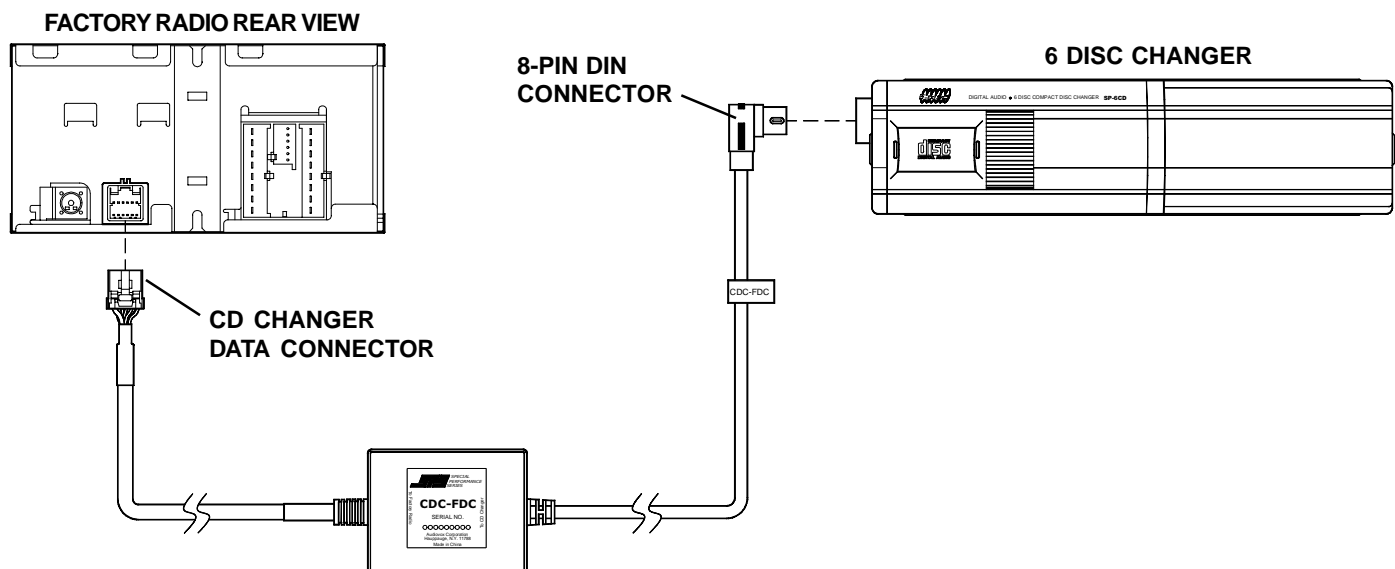
IMPORTANT : Installation must be done with vehicle and radio in OFF position.

1. Mount the Six Disc CD Changer at the desired location in the trunk following the installation instructions supplied with the CD Changer.
2. Carefully connect the 8-pin circular din connector from the CDC-FDC to the mating socket on the Six Disc CD Changer.
3. Route the CDC-FDC cable toward the existing factory CD Changer connector on back of radio.
4. With the vehicle off, carefully connect the CDC-FDC male connector to the female CD Changer connector on back of factory radio.

OPERATION CHECK:

1. Load CD's into the CD Changer cartridge and insert the cartridge into the changer.
2. Start vehicle and allow CD Changer to cycle.
Perform a brief functional test to verify proper operation according to the owner's manual.

CDC-FDC Installation Diagram (Fig. 1)



Free Manuals Download Website

<http://myh66.com>

<http://usermanuals.us>

<http://www.somanuals.com>

<http://www.4manuals.cc>

<http://www.manual-lib.com>

<http://www.404manual.com>

<http://www.luxmanual.com>

<http://aubethermostatmanual.com>

Golf course search by state

<http://golfingnear.com>

Email search by domain

<http://emailbydomain.com>

Auto manuals search

<http://auto.somanuals.com>

TV manuals search

<http://tv.somanuals.com>