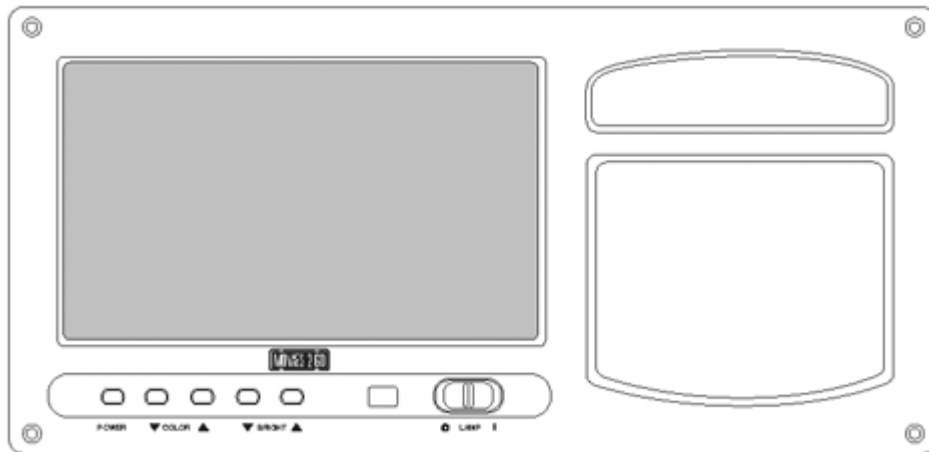




MMSV58

5.8" LCD SUN VISOR MONITOR
WITH MIRROR AND DOME LIGHT



Installation Guide

Notice

An LCD display and/or video monitor may be installed in a motor vehicle and visible to the driver if the LCD display or video monitor is used for vehicle information, system control, rear or side observation or navigation. If the LCD display or video monitor is used for television reception, video or DVD play, the LCD display or video monitor must be installed so that these features will only function when the vehicle is in 'park' or when the vehicle's parking brake is applied.

An LCD display or video monitor used for television reception, video or DVD play that operates when the vehicle is in gear or when the parking brake is not applied, must be installed to the rear of the driver's seat where it will not be visible, directly or indirectly, to the operator of the motor vehicle.



The lightning flash with the arrowhead within a triangle is intended to alert the user that parts inside the product are



The exclamation point within a triangle is intended to alert the user that important operating and servicing instructions

WARNING:

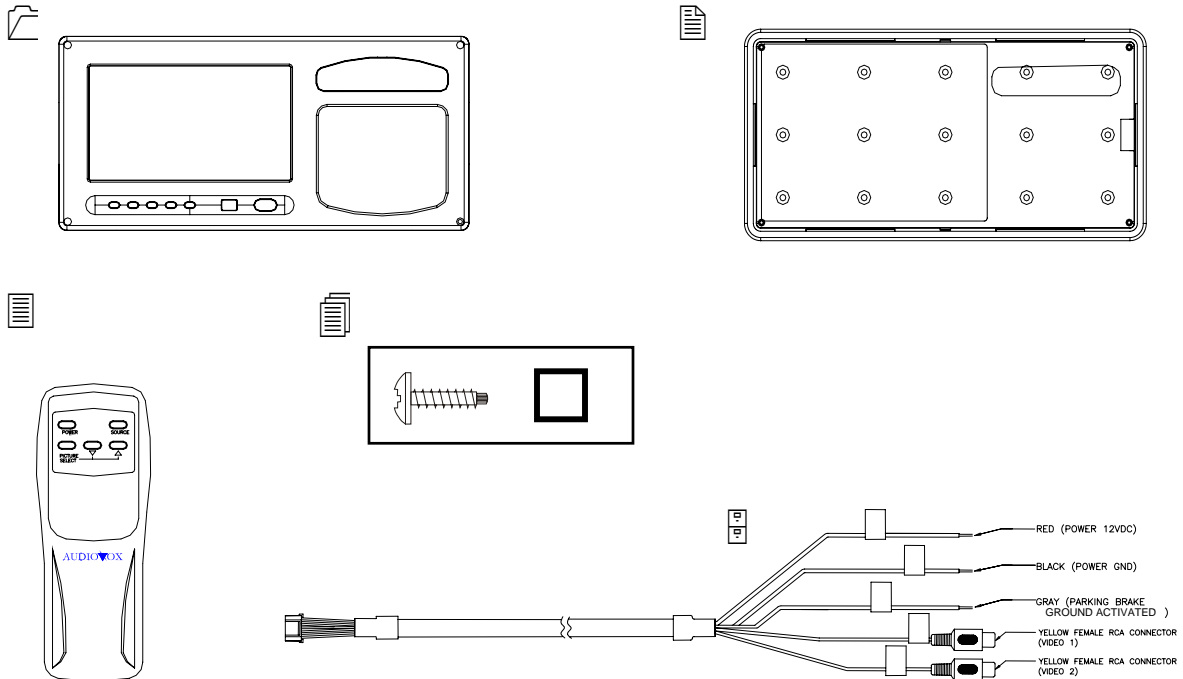
TO PREVENT FIRE OR ELECTRIC SHOCK HAZARD, DO NOT OPEN

Warnings

- ◆ Keep the LCD display clean and dry.
- ◆ Do not use any solvents or cleaning materials when cleaning the LCD display.
- ◆ Do not use any abrasive cleaners, they may scratch the LCD display. Use only a lightly dampened lint free cloth to wipe the LCD display if it is dirty.
- ◆ Remember to leave the dome light switch in the off positions when the vehicle is unattended, as the dome lights, if left on, can drain the vehicle's battery.
- ◆ Do not apply pressure to the LCD display.
- ◆ Caution children to avoid touching or scratching the LCD display, as it may become dirty or damaged.
- ◆ This product is designed to operate with a 12 volt, negative ground battery system.
- ◆ Do not operate the monitor at temperatures below 32°F (0°C) or above 104°F (40°C).
- ◆ Do not expose to direct sunlight for extended periods of time.
- ◆ Never attempt your own repairs. This unit should be installed and repaired by qualified technicians or service personnel.
- ◆ Use proper insulation material to prevent short-circuiting of the supply system.

MATERIALS INCLUDED IN THIS PACKAGE:

- 1) MMSV58 Sun Visor Video Monitor (P/N 136-3781) (1 pc)
- 2) Monitor Mounting Shroud (P/N 1024053) (1pc)
- 3) Remote Control (P/N 136-B3696) (1pc)
- 4) Hardware Package:-
 - M2.5 x # 8" Screws (4 pcs)
 - Rubber Screw Plug Caps ((138-1324) (4 pcs)
- 5) 7 Pin Power Wire Harness (P/N1123455) (1 pc)



TOOLS REQUIRED:

- Rotary Tool
- Phillips Screwdriver
- Utility or Razor Knife or Shears
- Wire Strippers
- Upholstery hook tool (for removal of panels as necessary)
- Electrical Tape
- Masking Tape
- Multimeter (to verify 12 volt DC and continuity; Do not use a test light or logic probe)
- Fine Point Marker – to mark visor
- Misc. electrical connectors (to connect to vehicle power source). Requirements will vary from vehicle to vehicle.

INSTALLATION NOTES

- **NOTE:** System component installation options vary, see the individual owner's manuals for each component in your system to obtain a full understanding of each component's operation.
- **NOTE:** Each vehicle is different. Your specific disassembly and reassembly may vary slightly from the installation guide shown.

INSTALLING THE MMSV58

1. Remove the Sun Visor from the vehicle.

With Illuminated Vanity Mirror

- Remove visor attaching hardware (screw) and set aside for re-assembly.
- Pull visor downward and disconnect any power connections.
- Once the visor is removed, place it on clean flat work surface

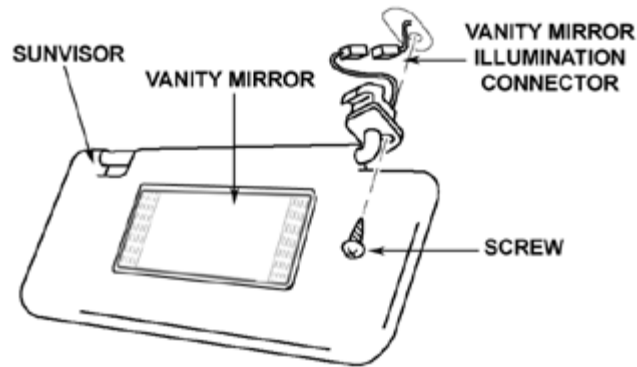


Figure 1. Sun Visor With Vanity Mirror

Without Illuminated Vanity Mirror

- Remove visor attaching hardware (screw) and save for re-assembly.
- Once the visor is removed, place it on clean flat work surface

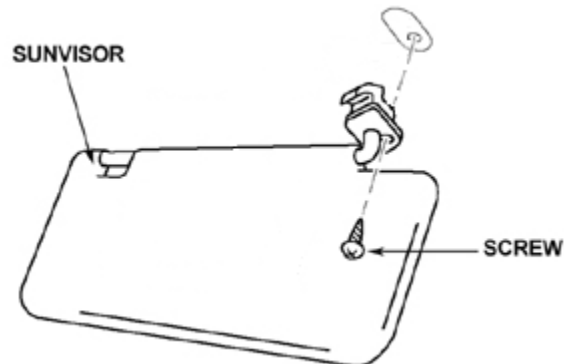


Figure 2. Sun Visor Without Vanity Mirror

2. Remove all accessories from the visor such as mirror/door/light assemblies, etc (if applicable) and set aside for re-assembly.

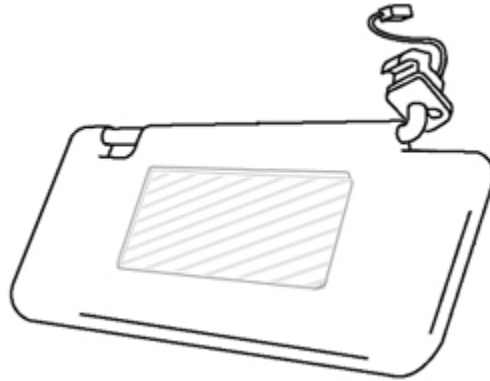


Figure 3. Sun Visor With All Accessories Removed

3. Once all accessories are removed, check the dimensions and material depth of the sun visor to estimate the fit for your application.

NOTE: If the visor had no accessories to remove and does not have a open cavity, measure the thickness of the visor material between the rigid material in the center and the surface.

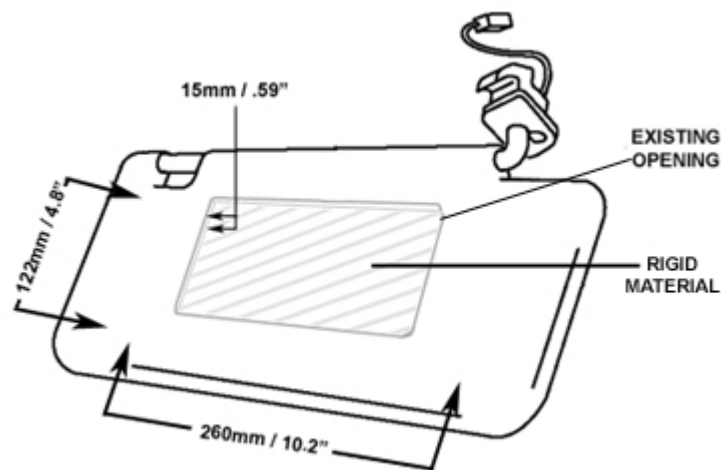


Figure 4. Sun Visor With All Accessories Removed

4. Using the rear of the visor-mounting shroud as a template, mark the visor.

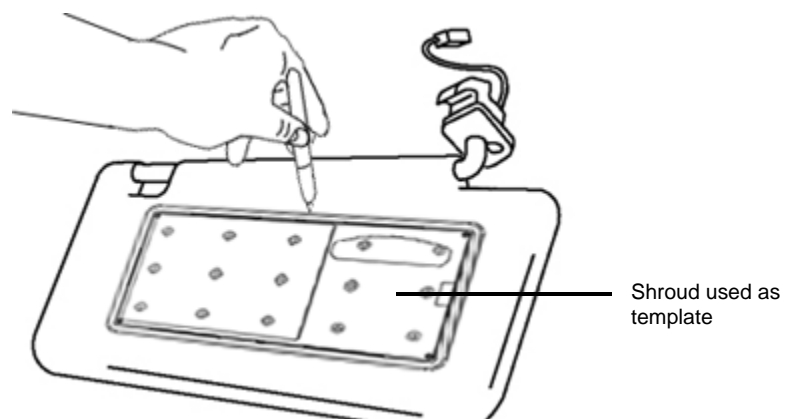


Figure 5. Marking The Visor Material

- Using a Razor Knife cut an "X" through the material.

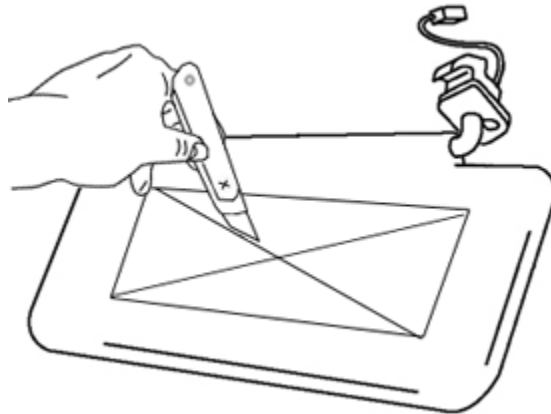


Figure 5. Cutting The Visor Material

- Peel back the 4 flaps. Carefully cut out the plastic of the visor using a rotary tool. Be sure that the tool does not grab the fabric/leather or damage may occur to the material. Lay the 4 flaps back into the visor cavity.
- Push the power/signal harness connector thru the back of the shroud and press the shroud in the visor cavity. **NOTE:** The cavity may require some grinding using a rotary tool to properly seat the shroud into the cavity. If grinding is needed be sure not to damage the visor material.

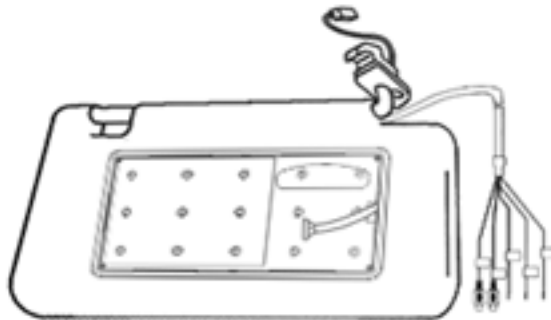


Figure 6. Power/Signal Harness And Shroud Installed

- Adhere the visor mounting shroud. (Example: silicone, two part quick drying epoxy, hot glue, screws if a double wall is present, double side tape, etc) Place the shroud back into the cavity and apply a good amount of pressure to the base if glue tape or epoxy is used sets. Make sure you have pulled the monitor connector through the access hole on the lower right hand side of the shroud. **NOTE:** When using glue or double side tape, make sure to use only high temperature rated products that can handle the extreme temperatures of the vehicles interior
- Plug the power power/signal harness into the rear of the MMSV58.

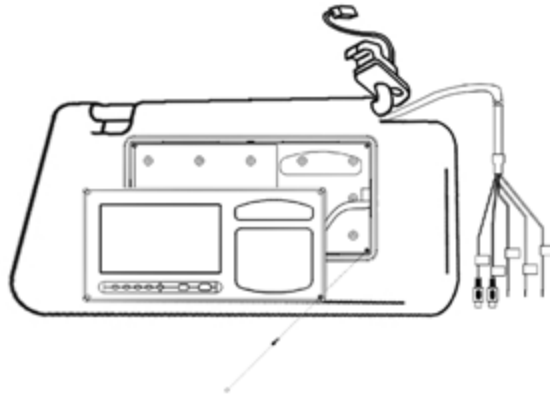


Figure 7. Installing The Monitor Shroud

10. Snap the screen into the visor mounting shroud. Screw the screen to the visor mounting shroud using the 4 screws (supplied).
11. Install the 4 screw caps (supplied) in the holes on the 4 corners of the assembly.

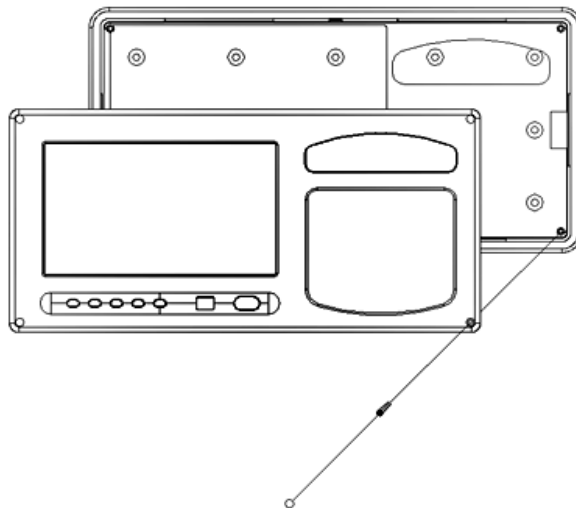


Figure 8. Installing The Monitor

12. Reinstall the sun visor in its original position using the attaching hardware removed in step 1. of this installation procedure.
13. Route the power/signal harness from the sun visor down the A-Pillar and behind the dashboard for connections to the video equipment and/or backup camera.

WIRING

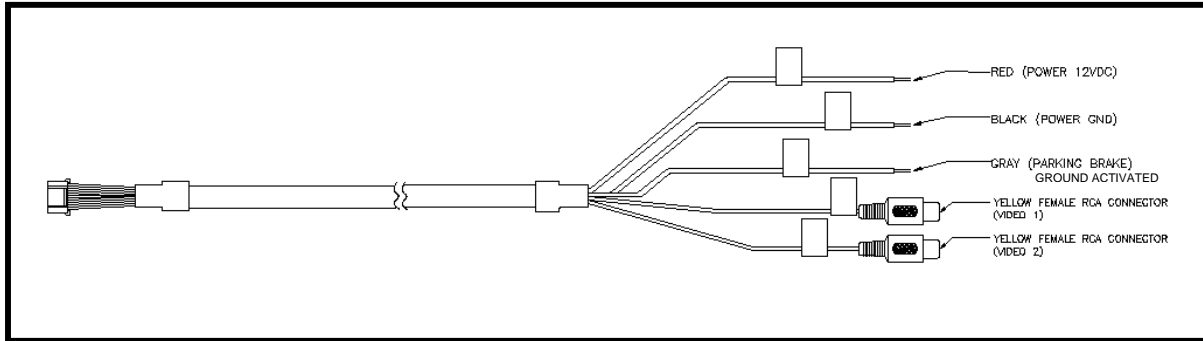


Figure 9. Power/Signal Harness

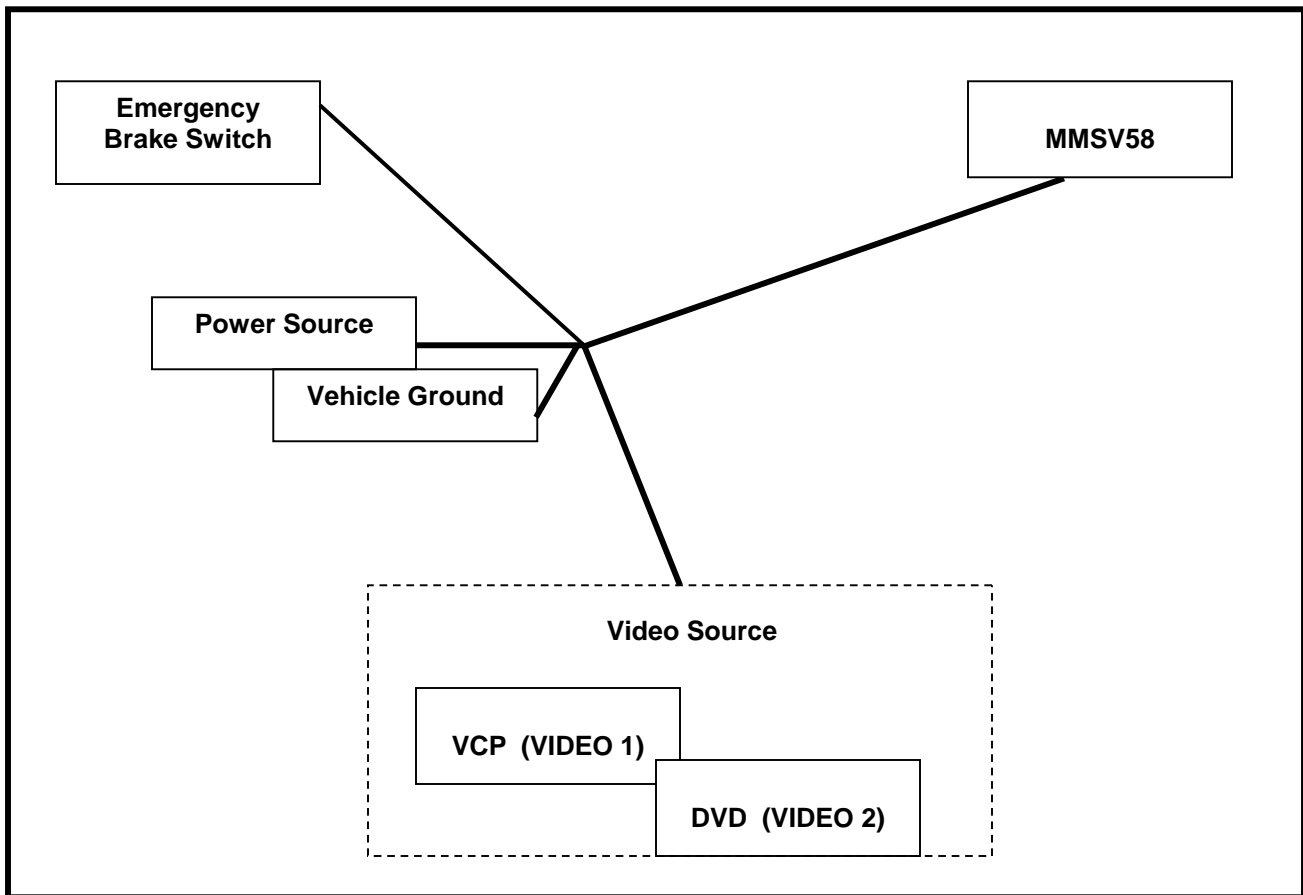


Figure 10. Typical System Installation

TROUBLESHOOTING

Symptom:

Remedy:

No power at Video Monitor

-Verify +12 VDC on Red wire at 7 pin Harness behind video monitor. Verify ground connection with continuity test from known good ground to black wire at 7 pin Harness

Power but no video or sound

-Verify that the correct source is selected (i.e.: 1,2,3 or 4). Verify that the source is on and playing a known good media (such as a videotape). Verify connections at both ends of the source component harness. Verify that the Gray wire is connected to the Emergency Brake wire.

No Infrared Remote Functions

-Check batteries in the hand held remote.

Free Manuals Download Website

<http://myh66.com>

<http://usermanuals.us>

<http://www.somanuals.com>

<http://www.4manuals.cc>

<http://www.manual-lib.com>

<http://www.404manual.com>

<http://www.luxmanual.com>

<http://aubethermostatmanual.com>

Golf course search by state

<http://golfingnear.com>

Email search by domain

<http://emailbydomain.com>

Auto manuals search

<http://auto.somanuals.com>

TV manuals search

<http://tv.somanuals.com>