

INTRODUCTION

Congratulations on your purchase of the Jensen MPA6611X Mobile Receiver. It's a good idea to read all of the instructions before beginning the installation. We recommend having your Jensen MPA6611X installed by a reputable installation shop.

Features

XM READY

- Requires Terk XMD1000 Satellite Tuner (Sold Separately)
- Requires Terk XMDJEN100 XM Cables (Sold Separately)
- Advanced display shows the artist, song title and XM channel and category at a glance
- Direct Channel entry

MP3 / WMA

- MP3 / WMA- CD-R/RW compatible
- ID3 tag compatible
- MP3 / WMA quick file search via rotary volume knob
- MP3 / WMA song surfing
- MP3 / WMA file search by title, artist or folder
- MP3 / WMA direct track access
- Supports up to 32 characters for file or folder names
- MP3 / WMA "loaded/inserted" icon
- High-speed audible fast forward/rewind
- MP3 100-second ESP - Electronic Skip Protection
- WMA 200-second ESP - Electronic Skip Protection
- 16MB SDRAM buffer

CD

- Last position memory
- Random/repeat/intro
- High-speed audible track search
- 1-Bit D/A converter
- Anti-shock mechanism
- 40-second ESP - Electronic Skip Protection

AM/FM Tuner

- 30 station presets (18 FM/12AM)
- JENSEN Plus Tuner II
- Auto station store
- Preset scan
- One-touch memory
- Auto stereo/mono
- Manual local/distance
- Manual tuning up/down
- Auto seek tuning up/down
- 5-second Scan tuning

Chassis

- Motorized swing-down detachable faceplate
- 1.0 DIN
- Import ISO/DIN mountable
- 20-pin power harness

General

- INTEGRATED SD CARD READER
 - Supports MP3 and WMA Playback
 - Supports up to 1GB SD card
- INTEGRATED Front Panel USB Input
 - USB 2.0 compatible
 - Supports up to a 1GB SD Card
 - Supports most standard "THUMB DRIVES"
 - Playback MP3 / WMA files from your thumb drive
- User friendly setup menu
 - LCD contrast control
 - Clock
 - Switchable Bi-color preset illumination - Red or Blue
- Ergo style Infrared remote control (included)
- High contrast positive Liquid Crystal Display (LCD)
- MOSFET audio IC
- Electronic volume, bass, treble, balance, fader
- Rotary encoder audio control
- Programmable turn-on volume
- Multi-button power on
- Keyless CD eject
- 2-Pair Front / Rear pre-amp outputs
- 5V Peak / 2V RMS RCA pre-amp output voltages
- 200-ohm low impedance preamp output
- 1-Subwoofer pre-amp output (RCA) (adjustable level control)
- 200Hz low pass subwoofer crossover
- 1-Pair rear RCA auxiliary input
- **Flex-Fader**
- iEQ5 - instant EQ
- 5-selectable iEQ curves - Beat, Jazz, Classic, Pop and Rock
- iX-Bass - instant eXtended bass

jLINK Ready (Included)

- Controls all iPod's except "Shuffle"
- Displays all text information including category, track name, artist and channel number
- Requires jLINK iPod Approved Cable (**Sold Separately**)

PREPARATION

Tools and Supplies

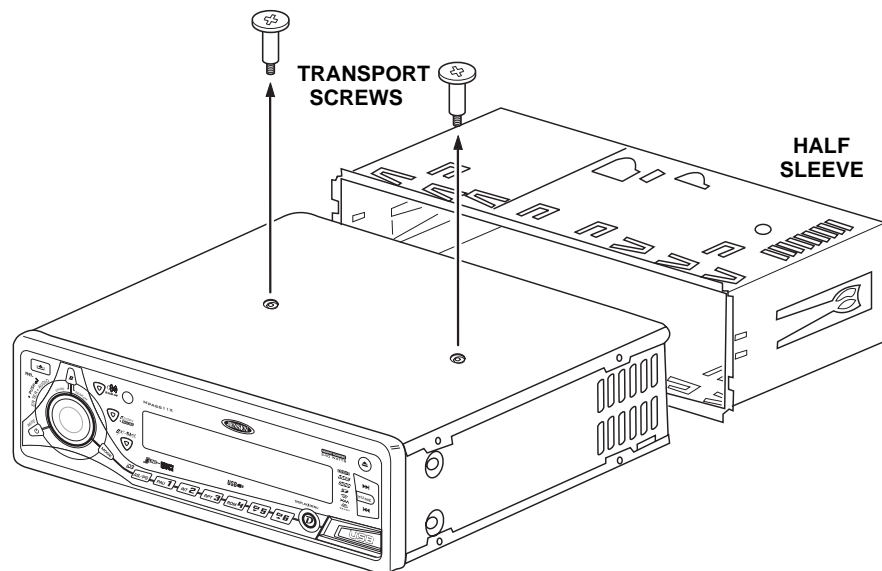
The following tools and supplies are needed to install the radio.

- Torx type, flathead and Philips screwdrivers
- Wire cutters and strippers
- Tools to remove existing radio (screwdriver, socket wrench set or other tools)
- Electrical tape
- Crimping tool
- Volt meter/test light
- Crimp connections
- 18 gauge wire for power connections
- 16-18 gauge speaker wire

SPEAKER REQUIREMENTS: Only connect speakers rated in the load impedance of 4 ohms. Speakers with a load impedance less than 4 ohms could damage the unit.

Pre-installation

1. **Disconnect Battery**
Before you begin, always disconnect the battery negative terminal.
2. **Remove Transport Screws**
3. **Remove Radio from Sleeve**
Lift latches on both sides of sleeve to remove half-sleeve from radio.



WIRING

Wiring with a Wiring Adapter (Purchased Separately)

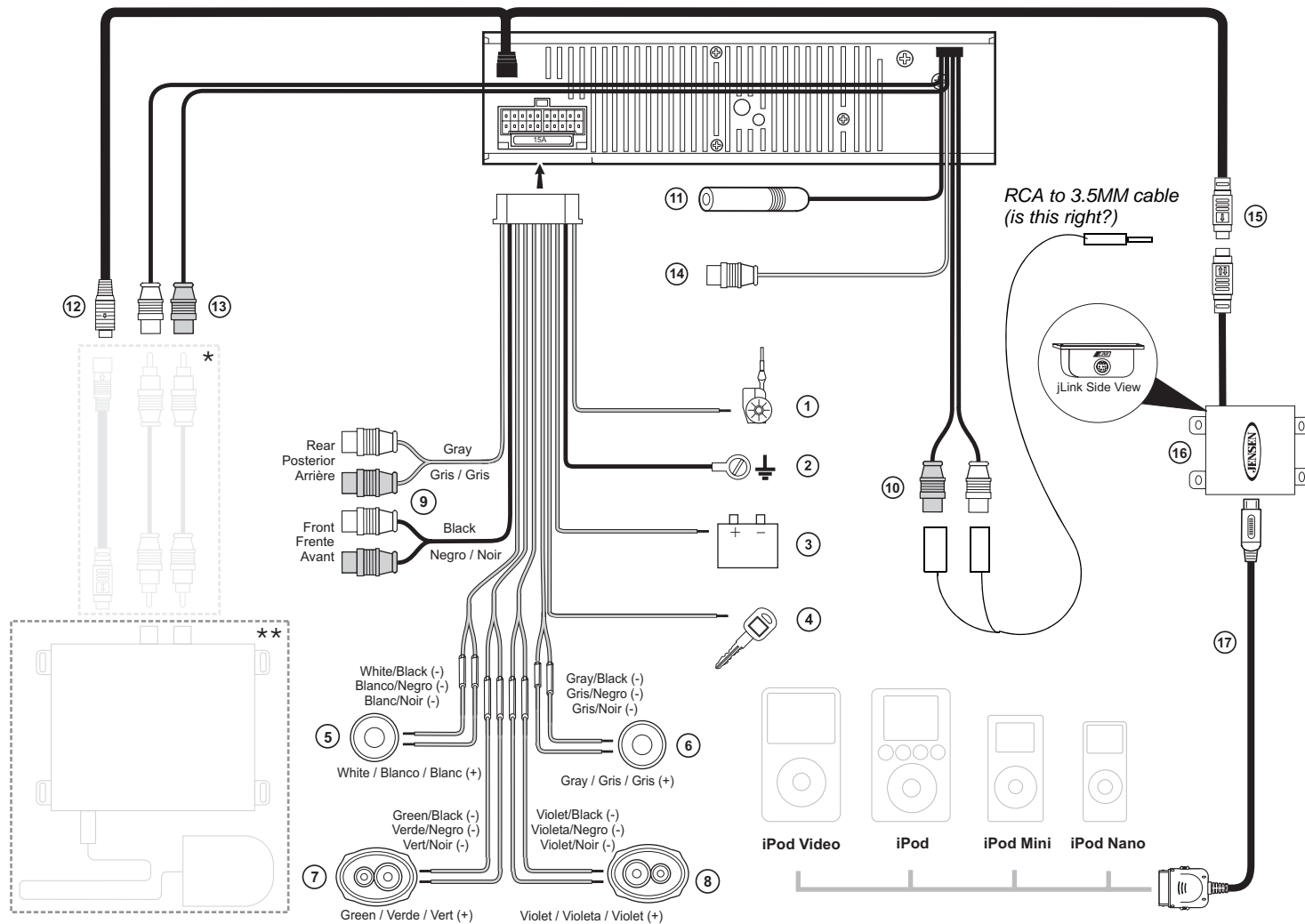
Connect Wires

You can make all these connections without even being in the vehicle.

1. Splice or crimp wires.
2. Attach wiring adapter to the car wiring harness.

Wiring Diagram / Color Codes

1. Power Antenna (dark blue wire) - Connect to the power antenna or a amplifier. If not used, tape the bare end of wire.
2. Ground (black wire) - Connect to the ground terminal or a clean, unpainted part of the chassis.
3. Memory/Battery (yellow wire) - Connect to the battery or to a 12 volt power source that is always alive. The radio will not work if this wire is not connected.
4. Accessory/Ignition (red wire) - Connect to the existing radio wire or radio fuse.
5. Left front speaker
6. Right front speaker
7. Left rear speaker
8. Right rear speaker
9. RCA Outputs to Amplifier
10. Auxiliary Input RCAs (yellow)
11. Antenna
12. XM® Direct Connect Cable
13. XM® Audio Input (black RCAs)
14. Subwoofer Output (blue)
15. iPod/jLink connector - Use this 8-pin DIN socket to connect your jLink or iPod cable.
16. jLink adapter
17. iPod Cable



NOTE: The amplifier in this radio is only designed for use with four speakers. Never combine (bridge) outputs for use with two speakers. Never ground negative speaker leads to chassis ground. Failure to wire exactly as shown may cause electrical damage to the radio.

*TERK XMDJEN100 cables sold separately.

**TERK XMD1000 Direct Tuner and antenna sold separately.

Fuses

When replacing a fuse, make sure the new fuse is the correct type and amperage. Using an incorrect fuse could damage the radio. The MPA6611X uses one 15 amp fuse located below the wiring connector (15 amp fast blow ATO).

Reconnect Battery

When wiring is complete, reconnect the battery negative terminal.

Technical Assistance

If you require assistance, contact Technical Support at 1-800-323-4815 from 8:30am to 7:00pm EST Monday through Friday and from 9:00am to 5:00pm EST on Saturday.

Connecting the Satellite Radio Receiver (optional)

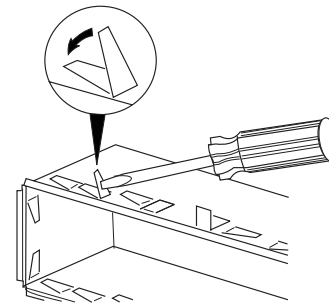
Before you can listen to XM[®] satellite radio, you must install the XM[®] Direct Receiver and antenna (purchased separately). The XM[®] Direct Receiver is the central data receiving equipment required to process the satellite signals from the external antenna. It is typically installed in the dash, under the seat, or in the trunk or rear of the vehicle. Do not mount the XM[®] Direct Receiver near a heater vent or where it can be exposed to extreme temperatures. In addition, when running the wire for the external antenna do not kink or pinch the antenna cable. A sharp 90 degree bend or slight "nick" to the outer cable sheath will cause signal degradation. The wiring diagram on page 3 will help you identify the proper connections.

INSTALLATION

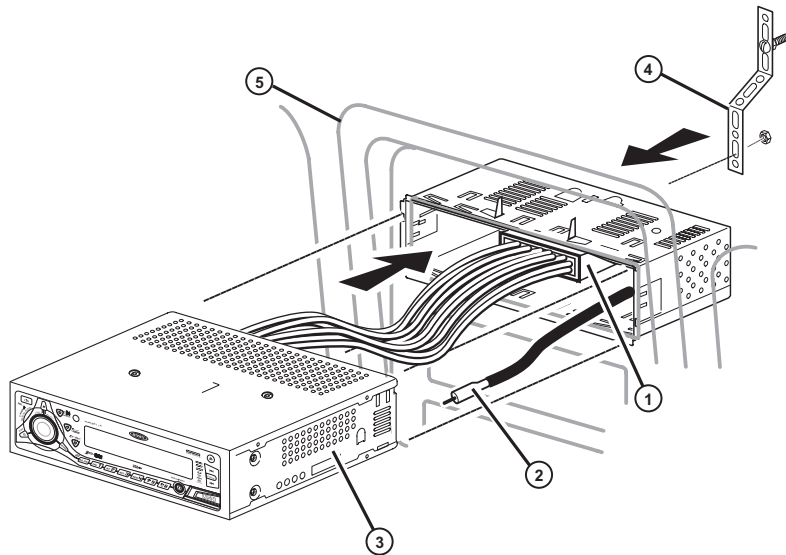
This unit is designed for installation in cars, trucks and vans with an existing radio opening. In many cases, a special installation kit will be required to mount the radio into the dashboard. These kits are available at electronics supply stores and car stereo specialty shops. Always check the kit application before purchasing to make sure the kit works with your vehicle. If you have trouble locating a kit or need installation assistance, contact Technical Support at 1-800-323-4815 from 8:30am to 7:00pm EST Monday through Friday and from 9:00am to 5:00pm EST on Saturday.

Universal Installation Using Mounting Sleeve

1. Remove the detachable front panel, if it is attached to the chassis, by pushing the "Release" button.
2. Slide the mounting sleeve off of the chassis if it has not already been removed. If it is locked into position, use the removal keys (supplied) to disengage it. The removal keys are depicted on page 5.
3. Check the dashboard opening size by sliding the mounting sleeve into it. If the opening is not large enough, carefully cut or file as necessary until the sleeve easily slides into the opening. Do not force the sleeve into the opening or cause it to bend or bow. Check that there will be sufficient space behind the dashboard for the radio chassis.
4. Locate the series of bend tabs along the top, bottom and sides of the mounting sleeve. With the sleeve fully inserted into the dashboard opening, bend as many of the tabs outward as necessary to firmly secure the sleeve to the dashboard.



- Place the radio in front of the dashboard opening so the wiring can be brought through the mounting sleeve.



- Follow the wiring diagram carefully and make certain all connections are secure and insulated with crimp connectors or electrical tape to ensure proper operation.
- After completing the wiring connections, attach the front panel and turn the unit on to confirm operation (vehicle ignition switch must be on). If the unit does not operate, recheck all wiring until the problem is corrected. Once proper operation is achieved, turn the ignition switch off and proceed with final mounting of the chassis.
- Carefully slide the radio into the mounting sleeve making sure it is right-side-up until it is fully seated and the spring clips lock it into place.
- Attach one end of the perforated support strap (supplied) to the screw stud on the rear of the chassis using the hex nut provided. Fasten the other end of the perforated strap to a secure part of the dashboard either above or below the radio using the screw and hex nut provided. Bend the strap, as necessary, to position it. **CAUTION:** The rear of the radio must be supported with the strap to prevent damage to the dashboard from the weight of the radio or improper operation due to vibration.
- Re-attach the front panel to the chassis and test radio operation by referring to the operating instructions for the unit.

NOTE: For proper operation of the CD player, the chassis must be mounted within 20° of horizontal. Make sure the unit is mounted within this limitation.

Kit Installation

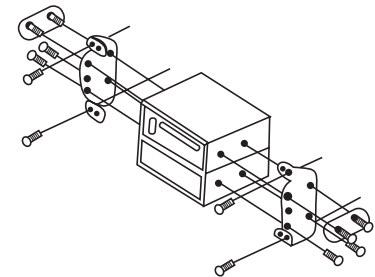
If your vehicle requires the use of an installation kit to mount this radio, follow the instructions included with the installation kit to attach the radio to the mounting plate supplied with the kit.

- Wire and test the radio as outlined in the Universal Installation instructions.
- Install the radio/mounting plate assembly to the sub-dashboard according to the instructions in the installation kit.
- Attach the support strap to the radio and dashboard as described in the Universal Installation instructions.
- Replace the dashboard trim panel.

ISO Installation

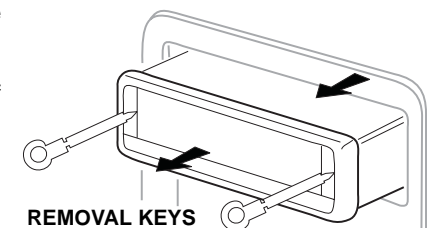
This unit has threaded holes in the chassis side panels which may be used with the original factory mounting brackets of some vehicles to mount the radio to the dashboard. Please consult with your local car stereo shop for assistance on this type of installation.

- Remove the existing factory radio from the dashboard or center console mounting. Save all hardware and brackets as they will be used to mount the new radio.
- Carefully unsnap the plastic frame from the front of the new radio chassis. Remove and discard the frame.
- Remove the factory mounting brackets and hardware from the existing radio and attach them to the new radio. Do not exceed M5 x 9 MM maximum screw size. Longer screws may damage components inside the chassis.
- Wire the new radio to the vehicle as outlined in the Universal Installation instructions.
- Mount the new radio assembly to the dashboard or center console using the reverse procedure of step 1.



Removing the Radio

To remove the radio after installation, remove the trim ring by lifting in the center and pulling it off from either side. Insert the removal keys straight back until they lock, and then pull the radio out. If removal keys are inserted at an angle, they will not lock properly to release the unit.



OPERATION

Power

Press the power button (1) or any other button on the front of the radio (except Eject) to turn the unit on. *Press and hold* the power button to turn the unit off.

Mode

Press **MODE** (2) to select a different mode of operation, as indicated on the display panel. Available modes include TUNER (F1, F2, F3, AM1, AM2), XM RADIO (if connected), S-CDP (CD), USB Host, SD/MMC and AUX (auxiliary). CD mode appears in the menu only if a CD is present in the CD player.

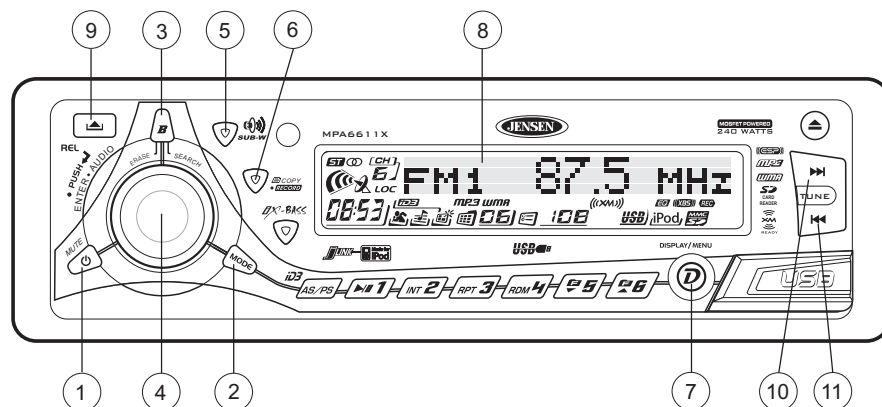
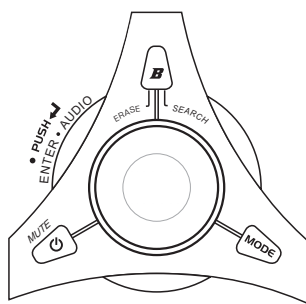
Audio Mute

Press the power/**MUTE** button (1) to silence the audio volume. "Mute" flashes in the display. Press power/**MUTE** again to restore volume to the previous setting.

Volume / Audio Control

To increase the volume, rotate the volume control (4) clockwise. To decrease the volume, rotate the volume control counter-clockwise. When volume is adjusted, the volume level will be shown on the display panel as a number ranging from "0" (lowest) to "46" (highest).

Press the volume control repeatedly to step through the following audio functions, if available: VOLUME, SUBWOOFER, SUB-W LPF, IX-BASS, BASS, BASS CFQ, BASS-Q, MIDDLE, MID-CFQ, MIDDLE-Q, TREBLE, TRE-CFQ, BALANCE, FADER and back to VOLUME. The unit automatically exits audio control mode after five seconds of inactivity.



SUBWOOFER

The sub-woofer level control is only applicable if the unit is connected to an optional sub-woofer speaker. In addition, the SUBWOOFER level control option will only appear in the

Audio Menu if the sub-woofer function is activated by pressing the **SUB-W** button (5) on the control panel.

To adjust the sub-woofer level from "00" to "12", press the volume control until "SUBWOOFER" appears in the display. Rotate the control clockwise to increase or counter-clockwise to decrease the subwoofer level.

SUB-W LPF (Sub-woofer Low Pass Filter)

The sub-woofer LPF control is only applicable if the unit is connected to an optional sub-woofer speaker. In addition, the SUB-W LPF option will only appear in the Audio Menu if the sub-woofer function is activated by pressing the **SUB-W** button (5) on the control panel.

To adjust the sub-woofer LPF, press the volume control until "SUB-W LPF" appears in the display. Rotate the control to select one of the following four Low Pass Filter options: FLAT, 80Hz, 120Hz, 160Hz.

iX-BASS

The iX-Bass option will only appear in the Audio Menu if the "iX-Bass" feature is activated by pressing the **iX-BASS** button (20) on control panel.

To adjust the iX-BASS, press the volume control until "iX-BASS" appears in the display. Rotate the control to select one of the following three Bass Boost levels: Low, Mid, High.

BASS

To adjust the bass level from "-6" to "+6", press the volume control until "BAS" appears in the display. Rotate the control clockwise to increase or counter-clockwise to decrease the bass. "0" represents a flat response.

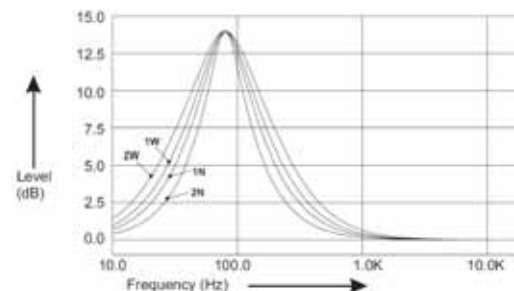
BASS CFQ (Bass Center Frequency)

To adjust the Bass Center Frequency, press the volume control until "BASS CFQ" appears in the display. Rotate the control to select one of the following Bass Center Frequency options: 60Hz, 80Hz, 100Hz, 200Hz.

BASS-Q (Bass Quality Factor)

To adjust the Bass Quality Factor, press the volume control until "BASS-Q" appears in the display. Rotate the control to select one of the following Bass Quality Factor options: 2N, 1N, 1W. The following chart depicts the curve characteristics for each step.

Bass Quality Factor Curve Characteristics



MIDDLE

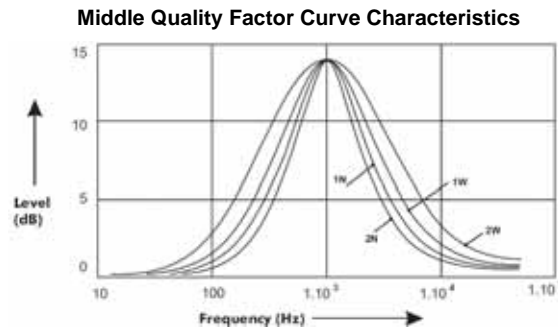
To adjust the middle level from "-6" to "+6", press the volume control until "MIDDLE" appears in the display. Rotate the control clockwise to increase or counter-clockwise to decrease the middle level. "0" represents a flat response.

MID-CFQ (Middle Center Frequency)

To adjust the Middle Center Frequency, press the volume control until "MID-CFQ" appears in the display. Rotate the control to select one of the following Middle Center Frequency options: 500Hz, 1KHz, 1.5KHz, 2.5KHz.

MIDDLE-Q (Middle Quality Factor)

To adjust the Middle Quality Factor, press the volume control until "MIDDLE-Q" appears in the display. Rotate the control to select one of the following Middle Quality Factor options: 2N, 1N, 1W, 2W. The following chart depicts the curve characteristics for each step.



TREBLE

To adjust the treble level from "-6" to "+6", press the volume control until "TREBLE" appears in the display. Rotate the control clockwise to increase or counter-clockwise to decrease the treble. "0" represents a flat response.

TRE-CFQ (Treble Center Frequency)

To adjust the Treble Center Frequency, press the volume control until "TRE-CFQ" appears in the display. Rotate the control to select one of the following Treble Center Frequency options: 10KHz, 12.5KHz, 15KHz, 17.5KHz.

BALANCE

To adjust the balance from "L12" (full left) to "R12" (full right), press the volume control until "BAL" appears in the display. Rotate the control clockwise or counter-clockwise to adjust the balance between the left and right speakers. "C00" represents a center balance.

FADER

To adjust the fader from "F12" (full front) to "R12" (full rear), press the volume control and rotate it clockwise or counter-clockwise to adjust the fader between the front and rear speakers. "C00" represents an equal balance between the front and rear speakers.

iX-Bass

Press **iX-BASS** (20) to activate the iX-BASS feature. When listening to music at low volume levels, this feature will boost the bass and treble ranges to compensate for the characteristics of human hearing. When this feature is activated, "iX-BASS On" will appear in the display. Press **iX-BASS** again to select "iX-BASS Off". The XBS icon will appear and remain in the display when the iX-BASS feature is activated.

Equalizer Selector

The equalizer function applies preset sound effects to the unit's audio output signal. Press **IEQ5** (6) to step through the following equalizer options: "Pop", "Jazz", "Classic", "Beat", "Rock", and "Off". The equalizer options appear in the display as they are accessed.

When the equalizer function is activated, the most recently selected bass/treble levels cannot be adjusted. When the equalizer function is not active, the unit will return to the most recently selected bass and treble levels.

Liquid Crystal Display (LCD)

The liquid crystal display (LCD) panel (8) displays the frequency, time and activated functions of the unit, including a combination audio level/disc indicator, which appears as dual disc icons with circular bar graphs depicting the audio signal. In addition, the display contains a receive signal indicator that depicts the relative strength of the incoming broadcast frequency.

NOTE: LCD panels may take longer to respond when subjected to cold temperatures for an extended period of time. In addition, the visibility of the numbers on the LCD may decrease slightly. The LCD display will return to normal when the temperature increases to a normal range.

Display Options

Press **DISPLAY/MENU** (7) to navigate through the following options:

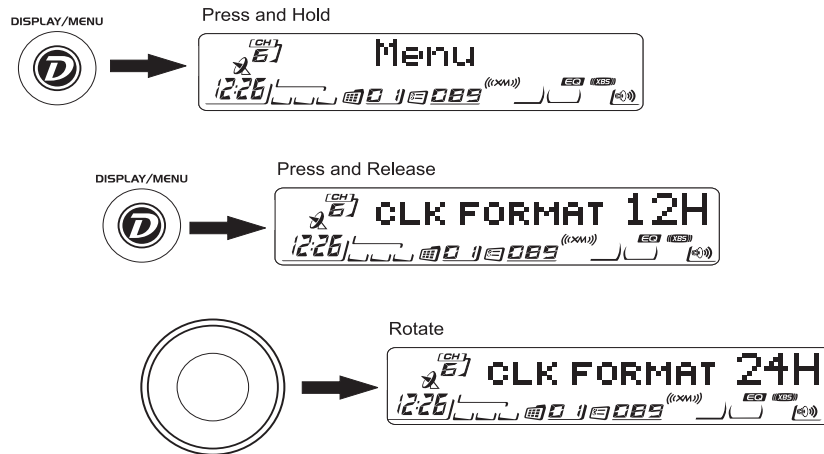
- Tuner: **FREQ** > Spectrum
- CDP/MP3/WMA: **Elapsed Time** > Spectrum
- XM mode: **Channel Name** > Spectrum

NOTE: You can press the DISPLAY/MENU button to view the clock when the ignition is off.

Menu Operation

A second function of the **DISPLAY / MENU** button (7) is to access a menu of radio options. Press **DISPLAY / MENU** for more than three seconds to access the menu. "Menu" will appear in the display. Navigate the menu by pressing **DISPLAY / MENU** momentarily to move forward to the next option. The menu can also be navigated by using the **UP TUNING** (10) or **DOWN**

TUNING (11) button to move to the next or previous option. Once the desired option appears in the display, adjust that option by rotating the volume control within five seconds.



The following options are adjusted through this menu feature:

Contrast

The contrast level of the display is set at "CONTRAST 05" by default. Rotate the volume control to adjust the contrast level from "00" to "10".

Clock Format

This option allows selection of a 12 hour or 24 hour clock format. "CLK FORMAT 12H" is the default setting. Rotate the volume control to change to the 24 hour clock format.

Clock Set

The time on the clock will be set to "12:00" as the default. Program the current time by rotating the volume control clockwise to adjust the minutes and counter-clockwise to adjust the hours.

Local / Distance Selector

This feature is used to designate the strength of the signals at which the radio will stop during automatic tuning. "Distant" is the default, allowing the radio to stop at a broader range of signals. To set the unit to select only strong local stations during automatic tuning, rotate the volume control to select "Local". "LOC" appears in the display.

Programmable Turn-on Volume

Use the "VOL PGM" option to select the default volume the radio will assume when first turned on. To program a specific start-up volume level, rotate the volume control to select the desired level.

Beep Tone

The beep tone feature allows the selection of an audible beep tone to be heard each time a button is pressed on the face of the radio. "BEEP TONE On" is the default display. Rotate the volume control to select the "BEEP TONE Off" option.

Illumination Color

The "COLOR" option allows selection between two colors for the backlight illumination of the unit. "COLOR 1" is the default display and will illuminate the unit in blue backlight. Rotate the volume control to select "COLOR 2", which will illuminate the display in red backlight.

REC MODE

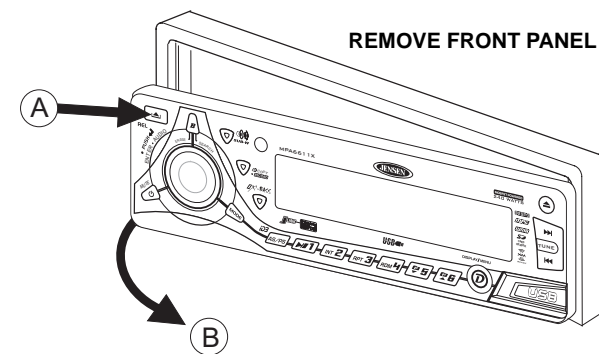
This option allows you to select the appropriate record bit rate for your USB device. "High" records at 96K bits per second and "Low" records at 48K bits per second.

Front Panel Release

The front panel release button (9) releases the mechanism that holds the front panel to the chassis.

Detaching the Front Panel

To detach the front panel, first press the front panel release button to release the left side of the panel. Next, grasp the released side and pull it off the chassis. After removing the front panel, store it in the supplied carrying case to protect it from dirt and damage.



Re-attaching the Front Panel

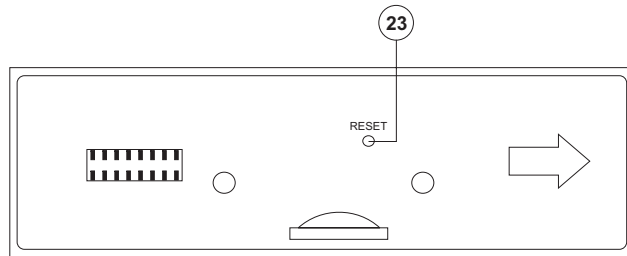
To re-attach the front panel, make sure the electrical terminals on the back of the panel are free of dust and dirt, as debris could cause intermittent operation or other malfunctions. Position the right side of the panel in place so that it is correctly engaged, then lightly press the left side of the panel until the mechanism locks it into place.

NOTE: Always use the OPEN button to slide the front panel up/down. Do not attempt to manually move the front panel, as this may cause serious damage.

NOTE: Do not attempt to remove the front panel in the slide down position, as this may cause serious damage.

Reset Button

The reset button (23) is located on the front of the chassis and can only be accessed with the front panel removed. The reset circuitry protects the microprocessor circuitry. Since resetting the unit will erase the time and preset memories, it should only be activated upon initial installation after all wiring is complete or if there is a malfunction of any of the switches on the unit. In these circumstances, pressing the reset button will clear the system and return the unit to normal operation.



TUNER OPERATION

Select a Band

Press **B** (3) to change between three FM bands and two AM bands. Each band stores up to six preset stations.

Tuning

Manual Tuning

Press the **UP TUNING** (10) or **DOWN TUNING** (11) button for more than three seconds to enter manual tuning mode, then press the **UP TUNING** or **DOWN TUNING** buttons to move the radio frequency number up or down one step.

Auto Seek Tuning

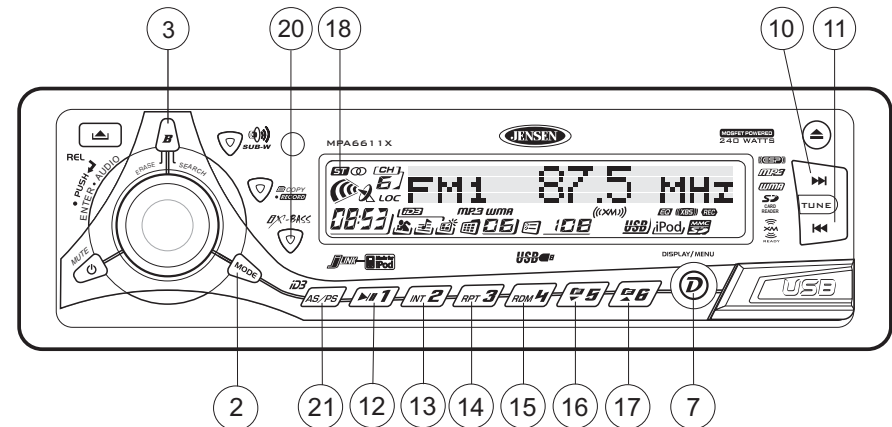
Press the **UP TUNING** (10) or **DOWN TUNING** (11) button for less than three seconds to move to next station automatically.

Preset Stations

Six numbered preset buttons store and recall stations for each band.

Store a Station

Select a band (if needed), then select a station. Hold a preset button (12-17) for three seconds. The preset number will appear in the display.



Recall a Station

Select a band (if needed). Press a preset button (12-17) to select the corresponding stored station.

Automatically Store / Preset Scan

Automatically Store

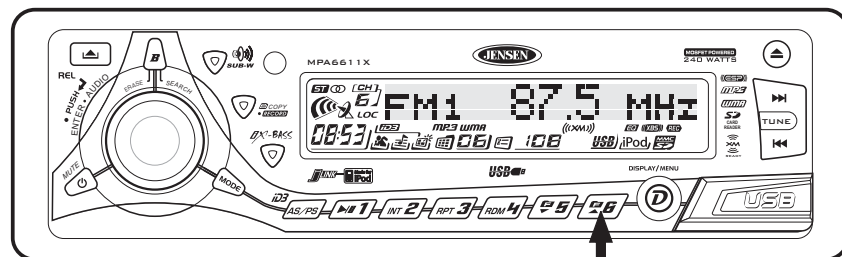
Automatically selects six strong stations and stores them in the current band. Select a band (if needed). Press **AS/PS** (21) for more than three seconds. The new stations replace any stations already stored in that band.

Preset Scan

Scans stations stored in the current band. Select a band (if needed). Press **AS/PS** (21) for less than three seconds. The unit will pause for ten seconds at each preset station. Press **AS/PS** again to stop scanning when the desired station is reached.

Stereo

The unit will automatically pick up a stereo signal, when available. When in stereo mode, the "ST" icon (18) appears in the display. When no stereo signal is available, the unit will automatically revert to mono operation, and no icon will be displayed.



Preset Number Appears

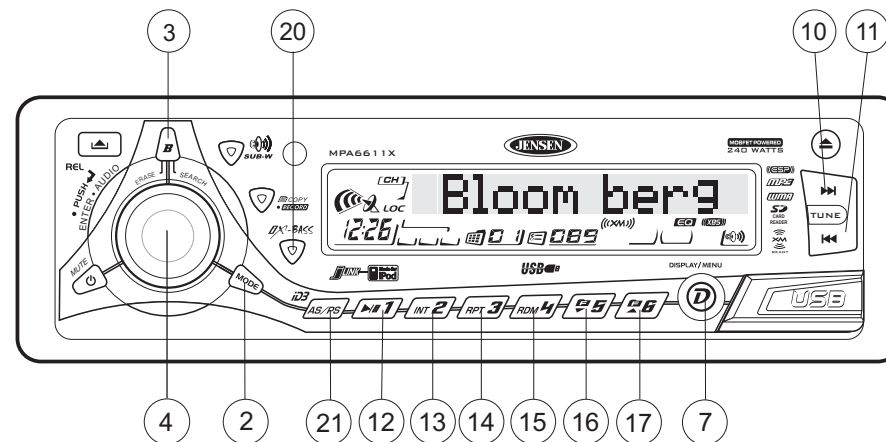


XM[®] RADIO OPERATION

Listeners can subscribe to XM[®] Radio on the Web by visiting www.xmradio.com, or by calling (800) 967-2346. Customers should have their Radio ID ready (see "Displaying the Identification (ID) Code"). Customers can receive a limited number of free-to-air channels without activation.

Accessing XM[®] Radio Mode

To switch to XM[®] Radio mode, press **MODE** (2) until "XM RADIO" appears on the display.



Displaying the Identification (ID) Code

Before you listen to XM[®] Radio, you must subscribe to the service using your radio's identification number. To display the radio ID, press the **DOWN TUNING** (11) button to access channel 000. The screen displays "RADIO ID" followed by an 8-figure ID number.

Selecting a Station

Press the **UP TUNING** (>>) or **DOWN TUNING** (<<) button (10 and 11) to change to another station. *Press and hold* the **UP TUNING** (10) or **DOWN TUNING** (11) button for more than one second to fast forward or fast reverse through the stations.

Preset Stations

Press **B** (3) to change between three XM[®] Radio bands. Each band stores up to six preset stations. You can store and recall a total of 18 preset stations.

Store a Station

1. Select a band (if needed), then select a station.
2. Hold a preset button (12 – 17) for three seconds. The preset number appears in the display.

Recall a Station

1. Select a band (if needed).
2. Press a preset button (12 – 17) to select the corresponding stored station.

Tuner Modes

Press the **AS/PS** button (21) to change the tuner mode to the following options in the order listed.

- Channel Name
- Genre (News, Sports, Hits, Kids, etc.)
- Artist name
- Song Name
- 11 Bar Spectrum Indicator

If the selected channel name, artist, or title exceeds eleven characters, the display information will scroll twice upon selection.

Category Mode

To select stations in a specific category, perform the following steps.

1. Press and hold the **B** button (3) until "Direct-T" appears.
2. Press **B** again to display "CATEGORY".
3. Turn the rotary encoder to move through the available categories.
4. Press the **ENTER** button (rotary encoder) to select the displayed category.
5. Once a category is selected, turn the rotary encoder to select stations in the current category.
6. Press the **ENTER** button (rotary encoder) to select the displayed channel.

To change the category while in category mode, press the **AS/PS** button (21). "CATEGORY" will flash in the display, allowing you to use the 5 and 6 buttons to select a different category.

Direct Tuning Mode

To enter a station directly, perform the following steps.

1. Press and hold the **B** button (3) until "Direct-T" appears.
2. Turn the rotary encoder to display XM CH 0 _ _.
3. Turn the rotary encoder again to select the first digit of the desired channel (0, 1, or 2).
4. Press the **ENTER** button (rotary encoder) to enter the first number and move to the second position.
5. Turn the rotary encoder again to select the second digit of the desired channel (0 - 9).
6. Press the **ENTER** button (rotary encoder) to enter the second number and move to the third position.

NOTE: Use the **UP TUNING (>>|)** or **DOWN TUNING (|<<)** button (10 and 11) to move between the first and third positions.

7. Turn the rotary encoder again to select the third digit of the channel you want to tune to (0 - 9).
8. Press the **ENTER** button (rotary encoder) to enter the third number and access the channel.

NOTE: If the channel is unauthorized or invalid, "CH Unavail" appears on the LCD and return to the input interface after 2 seconds.

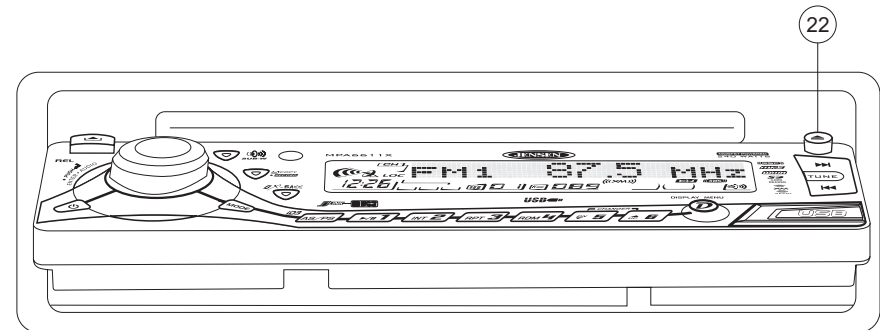
CD PLAYER OPERATION

Insert CD

Press the **EJECT** button (22) and the motorized front panel will slide down automatically to display the disc slot. With the label surface facing up, fully insert a compact disc into the slot until the mechanism engages and pulls the disc in. After inserting a disc, the unit will pause for a few seconds and then automatically return to the closed position and begin playing the disc.

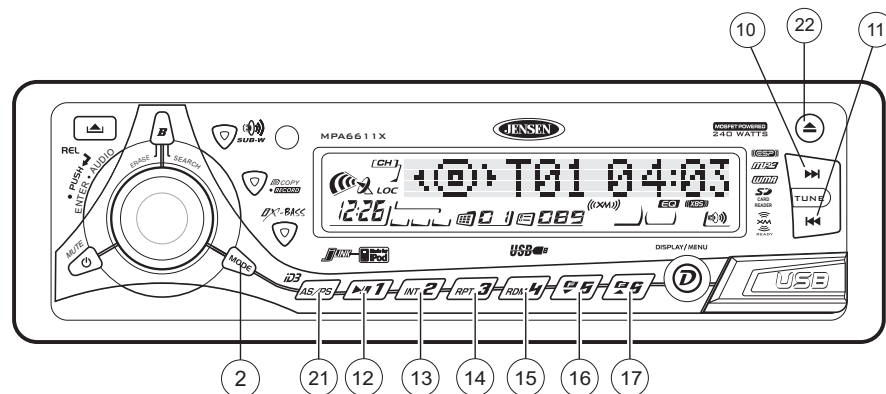
Eject CD

Press the **EJECT** button (22) and the motorized front panel will slide automatically down to display the disc slot.



The unit will automatically stop CD play and eject the disc. If the disc is not removed from the unit within 15 seconds, the disc will be reloaded to prevent accidental damage.

NOTE: The unit is designed for play of standard 5" (12 cm.) compact discs only. Do not attempt to use 3" (8 cm.) CD singles in this unit, either with or without an adaptor, as damage to the player and/or the disc may occur. Such damage will not be covered by the warranty on this product.



Pause

Press the pause >|| button (12) to suspend disc play. Press the pause button again to resume disc play.

Track Select

Press the **UP TUNING** (10) or **DOWN TUNING** (11) button for less than one second to advance to the next track on the CD. The selected track number will appear on the display. *Press and hold* the **UP TUNING** (10) or **DOWN TUNING** (11) button for more than one second to fast forward or fast reverse through the disc. CD play starts when the button is released.

Intro Scan (INT)

During disc play, press **INT** (13) to play the first 10 seconds of each track on the disc. When the desired track is reached, press **INT** again to end the scan and play the selected track.

Repeat (RPT)

Press **RPT** (14) during disc play to continuously repeat the track. Press **RPT** again to stop repeating.

Random (RDM)

Press **RDM** (15) during disc play to play all tracks on a CD in random, shuffled order. Press **RDM** again to stop random play.

Display CD Text

Press **AS/PS** (21) to display any text encoded on the CD (song title, artist, etc.).

CD Player Error Codes

If a problem should develop while operating the CD player, an error code (ER-1, ER-2, etc.) may appear on the display panel. This can indicate a number of problems with the unit, including a mechanical error or an error in the microprocessor control of the player. If an error code should appear, try ejecting and reloading the disc into the player. While the disc is out of the unit, make sure it is clean and undamaged, and then load it correctly. If this does not solve the problem, pressing the reset button may help, but will erase the time and preset memory. If the suggested measures do not solve the problem, contact an authorized warranty station near you or contact customer service at 1-800-323-4815 for further assistance.

MP3/WMA OPERATION

MP3 and WMA (Windows Media Audio) music files are digital audio files that are compressed to allow more files on a single CD. This unit can play MP3/WMA directly from files contained on a CD-R/RW using the buttons on the receiver (or optional remote) as described below. Many types of software are available for converting audio files into MP3/WMA formats. Jensen recommends *Nero*, *MusicMatch Jukebox* or *Roxio Easy CD Creator*. Depending on the media type and recording method, some CD-R/RW's may be incompatible with this unit. The unit supports playback of MP3/WMA and CDDA (CDA), Mixed-Mode CDs and CD-Extra (including multi-session discs), but **discs on which the session has not been closed will not play.**

Notes on MP3/WMA Play

This unit can play MP3 (MPEG1, 2, 2.5 Audio Layer 3). However, the MP3 recording media and accepted formats are limited. When writing MP3/WMA, pay attention to the following restrictions.

Acceptable Media

The MP3/WMA recording media acceptable to this unit are CD-ROM, CD-R and CD-RW and USB devices. When using CD-RW, use full format rather than quick format to prevent malfunction.

Acceptable Medium Formats

The following formats are available for the media used in this unit. The maximum number of characters used for file name including the delimiter (".") and three-character extension are indicated in parentheses.

- ISO 9660 Level 1 (11 characters)
- ISO 9660 Level 2 (31 characters)
- Joliet (31 characters)
- Romeo (31 characters)

Up to 200 characters can be displayed in the long file name format. For a list of available characters, see the instruction manual of the writing software and the section "Entering File and Folder Names" below. The media reproducible on this unit has the following limitations:

- Maximum number of nested folders: 8
- Maximum number of files per disc: 999
- Maximum number of folders per disc: 255

MP3/WMA written in formats other than those listed above will not play successfully and their file names or folder names will not be displayed properly.

MP3/WMA Encoder and CD Writer Settings

Use the following settings when compressing audio data in MP3 data with the MP3 encoder.

- Transfer bit rate : 8 - 320 kbps
- Sampling frequency : 8, 11.025, 12, 16, 22.05, 24, 32, 44.1, 48 kHz

When using a CD writer to record MP3/WMA up to the maximum disc capacity, disable additional writing. To record an empty disc up to the maximum capacity at once, select the "disc at once" option.

Entering ID3 Tag

This unit supports ID3 tag versions 1.0 and 1.1. For the character codes, refer to the table to the right. The unit also supports CD-TEXT encoded discs for Album, Track and Artist Title information.

Entering File and Folder Names

Names using the code list characters are the only file names and folder names that can be entered and displayed. Using any other character will cause the file and folder names to be displayed incorrectly. The unit recognizes and plays only files with the MP3/WMA extension.

	0	1	2	3	4	5	6	7	8	9	A	B	C	D	E	F
0			0	P	p						A	D	a	d		
1		1	A	Q	a	q					±	A	N	á	n	
2		=	2	B	R	b	r				c	±	A	O	á	ó
3		#	3	C	S	c	s				£	±	A	O	á	ó
4		\$	4	D	T	d	t				□	±	A	O	á	ó
5		%	5	E	U	e	u				μ	±	A	O	á	ó
6		&	6	F	V	f	v				¡	±	A	O	á	ó
7		'	7	G	W	g	w				\$	±	Ç	X	ç	+
8		(8	H	X	h	x				¿	±	E	O	é	è
9)	9	I	Y	i	y				©	±	E	U	é	ú
A		*	A	J	Z	j	z				±	±	E	U	é	ú
B		+	B	K	I	k	i				=	±	E	U	é	ú
C		<	C	L	\	l	l				~	±	I	U	i	ü
D		=	D	M	J	m	j				⊙	±	I	Y	i	ÿ
E		>	E	N	A	n	-				⊙	±	A	P	i	p
F		/	F	?	O	-	o				±	±	I	B	i	ÿ

NOTE: A file name entered with characters not on the code list may not play correctly.

Writing Files into a Medium

When a medium containing MP3/WMA data is loaded, the unit checks all data. If the medium contains many folders or non-MP3/WMA files, MP3/WMA play will be delayed, it may take time for the unit to move to the next file, and searches may not be performed smoothly. Loading such a medium may produce loud noise and cause damage to the speakers. **Do not attempt to play a medium containing a non-MP3/WMA file with the MP3/WMA extension or a medium containing non MP3/WMA files.**

Electronic Shock Protection

- 40 seconds for CDDA (CDA)
- 120 seconds for MP3 recorded at 44.1kHz, 128kbps
- 200 seconds for WMA recorded at 44.1kHz, 128kbps

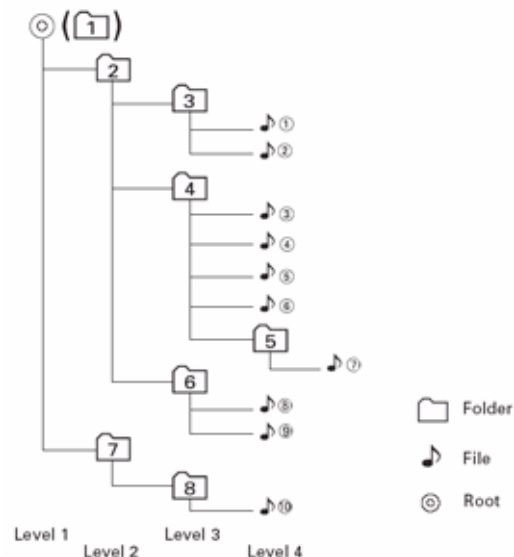
Bit Rates

The unit supports bit rates from 32 - 320 kbps.

File Playing Order

When selected for play, files and folders (Folder Search, File Search or Folder Select) are accessed in the order they were written by the CD writer. As a result, the order in which they are expected to be played may not match the order in which they are actually played. You may be able to set the order in which MP3/WMA are to be played by writing them onto a medium such as a CD-R with their file names beginning with play sequence numbers such as "01" to "99".

For example, a medium with the following folder/file hierarchy is subject to Folder Search, File Search or Folder Select as shown below.



Loading an MP3/WMA Disc

Press the **EJECT** button (22) to lower the front panel, then Insert an MP3/WMA disc. After the disc is loaded, the track number and elapsed time will appear, then the display will scroll through any ID3 Tag information while the file is playing.

Pause

Press the pause >|| button (12) to suspend disc play. Press the pause button again to resume disc play.

Accessing the ID3 Tag

Press **AS/PS** (21) repeatedly during MP3/WMA play to access the ID3 information manually. The display will show any of the following information that is programmed on the disc: Folder Name, File Name, Album Title, Track Title, Artist Title.

ICON	DESCRIPTION
	FOLDER ICON
	FILE ICON
	TRACK ICON
	ARTIST ICON
	ALBUM ICON

Track Select

Press the **UP TUNING** (10) or **DOWN TUNING** (11) button for less than one second to advance to the next track on the disc, or for more than one second to fast forward or fast reverse through the disc. Disc play starts when the button is released.

Navigating Folders

Press the Folder Down (16) button (also the "5" button) to skip to the next folder, or press the Folder Up (17) button (also the "6" button) to return to the previous folder.

Intro Scan (INT)

During disc play, press **INT** (13) to play the first 10 seconds of each track on the disc. When the desired track is reached, press **INT** again to end the scan and play the selected track. Press **INT** for more than three seconds to play the first 10 seconds of each track in the current folder. When the desired track is reached, press **INT** again for more than three seconds to end the scan and play the selected track.

Repeat (RPT)

Press **RPT** (14) to repeatedly play the current file. Press **RPT** again to resume normal play. Press **RPT** for more than three seconds to repeatedly play all files in the current folder. Press **RPT** again for more than three seconds to resume normal play.

Random (RDM)

Press **RDM** (15) to randomly play all files on the disc. Press **RDM** again to resume normal play. Press **RDM** for more than three seconds to randomly play all files in the current folder. Press **RDM** again for more than three seconds to resume normal play.

MP3/WMA File or Folder Search

The unit offers three methods of searching for files or folders on a disc:

Direct File Number Search

Press **B** (3). The LCD will display "Number", and the illumination around the **ENTER** button (rotary encoder) (4) will blink. Rotate the knob to select the desired track number, then press in on the knob to confirm and play the selected file.

Navigation Search

Press **B** (3) twice. The LCD will display "Navigate", and the illumination around the **ENTER** button (rotary encoder) (4) will blink. Rotate the knob to navigate through all folders and sub-folders on the disc. The folder names will be displayed on the LCD. Press the select knob for more than three seconds to play the first file in the folder. Press the select knob for less than three seconds to access the sub-folders or files. Rotate the select knob to navigate, then press the select knob to confirm and begin file play. During navigation search, press **AS/PS** or rotate the select knob counter-clockwise to move back to the last upper level of a folder.

IPOD OPERATION

Accessing iPod Mode

This unit is equipped with an iPod ready function that will allow you to control your iPod (if compatible) using the front panel control buttons. The following iPod versions are supported:

- iPod 3G (Firmware version 2.2 only)
- iPod Mini
- iPod Photo
- iPod Nano
- iPod 5G (Video)

The unit will automatically switch to iPod mode when an iPod is plugged into the iPod cable. To return to the iPod menu from any other source menu, press the **MODE** button (2) on the front panel or remote control until "iPod" appears on the display.

NOTE: The MPA6611X will not select video files regardless of whether or not a video file was the last file playing when the iPod was plugged into the radio. Only music files are supported.

Turning the iPod On/Off

The iPod power turns on automatically when the iPod is connected to 30-pin iPod cable, as long as the automobile ignition is turned on. You can turn the iPod off by disconnecting it from the cable or by turning the ignition off. When the ignition is turned off, the iPod will pause and then enter sleep mode after 2 minutes.

NOTE: The iPod will continuously recharge when connected to unit, as long as the vehicle ignition is turned on.

Viewing Playback Information

Press the **AS/PS** button (21) to display iPod playback information in the following order:

- Album
- Song Title
- Artist

Play/Pause

Press the **>/||** button (12) to suspend or resume play.

Track Selection

Select a Track

Press the **UP TUNING** button (10) or **DOWN TUNING** button (11) for < 1 second to advance to the next song in the current folder.

Audible Fast Forward / Fast Reverse

Press and hold the **UP TUNING** button (10) or **DOWN TUNING** button (11) for > 1 second to fast forward or fast reverse. Playback begins when the button is released.

Repeat (RPT)

Press the **RPT** button (14) < 3 seconds during disc play to continuously repeat the selected song. Press and hold **RPT** (14) > 3 seconds during disc play to continuously repeat the entire album/folder. Press **RPT** again to stop the repeat function.

Shuffle (SHF)

Press the **RDM** button (15) during disc play to play all songs in the current folder/album in random, shuffled order. Press and hold **RDM** (15) > 3 seconds during disc play to play the songs in all folders in random, shuffled order. Press **RDM** again to stop random play.

Searching Mode

During iPod playback mode, press the **B** button (3) to enter iPod Searching Mode. Press the **B** button repeatedly to access search modes in the following order:

- Playlist
- Artist
- Album
- Song
- Genre

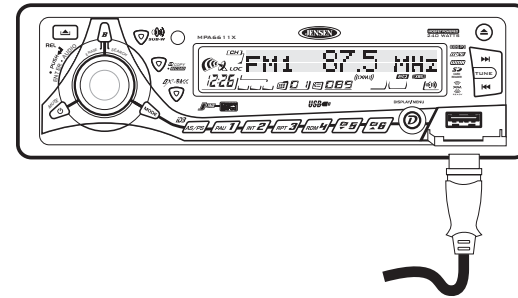
After selecting the desired search mode, press the **AUDIO** button (rotary encoder) within 10 seconds to confirm the search mode. Rotate the rotary encoder knob to navigate through the Album, Artist or Songs contained on your iPod. Press the **ENTER** button (rotary encoder) (4) to play the selected song. During the searching mode, press **AS/PS** to quickly return to the top level of the Album, Playlist, Genre, etc.

Using a USB Device or SD Card

NOTE: Media (Multimedia Card / CD-R) with a ROOT directory containing only music, movie or JPEG files may cause the RANDOM / REPEAT function to work incorrectly. To ensure the proper playback of music, movie, and JPEG files, place all media files inside folders on the data storage media.

Loading a USB Device

USB devices can be played through the USB connector on the front panel. To access files on a USB device, insert the USB device as indicated below:

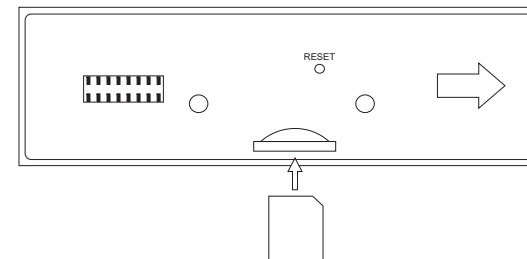


After inserting an USB device containing MP3 or WMA files, "USB Host" appears on the display and the unit will automatically scan the card for music files and begin playback.

To eject the USB device, press the **MODE** button (2) to select a different source. Pull the USB device straight out and return the cover to the closed position.

Loading an SD Card

To insert an SD card, you must first remove the front panel to reveal the SD card slot (see "Front Panel Release" on page 8). Insert your SD Card as illustrated below and then reinstall the front panel.



After inserting an SD device containing MP3 or WMA files, "SD/MMC" appears on the display and the unit will automatically scan the card for music files and begin playback.

To eject the SD card, remove the front panel and then press in on the SD card to release it. Pull the SD card straight out and replace the front panel.

Navigating Files

Please refer to "MP3/WMA Operation" on page 12 for information regarding directory navigation and file searching.

NOTE: The MPA6611X will recognize MOST flash memory based storage devices. The MPA6611X does not support USB multi-card or all-in-one card readers with a flash memory device inserted. Up to 1GB storage devices are supported.

Copy/Record Feature

This unit is equipped with a Copy/Record feature that will copy music from the radio or a disc to the USB device or SD card. The copy function works only when playing MP3 files, while the record feature works when copying music from the tuner or a disc. To copy or record files:

1. Load a USB device or SD card.
2. Press the **MODE** button (2) to select the music source.
3. Press the **COPY/RECORD** button (6) to activate the record/copy feature.
4. If both an SD card and USB device are installed, turn the rotary encoder to select a source.
5. Press the **ENTER** button (rotary encoder) (4) to begin recording. "REC >>>" followed by the elapsed time will appear on the screen and the recorded file will be placed in a folder on your USB or SD card.
6. Press **COPY/RECORD** again to stop recording.

Erase Feature

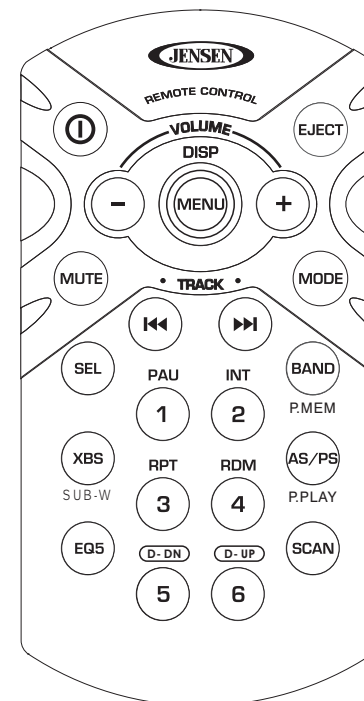
To erase recorded files:

1. *Press and hold* the **B** button. "DELETE" followed by the current track number appears on the screen.
2. To delete the current file, press the **ENTER** button (rotary encoder).
3. To delete a different file, rotate the rotary encoder to select the file you want to delete
4. Press the **ENTER** button (4) to delete the selected file.

REMOTE CONTROL

The remote control will allow you to control the basic functions of the MPA6611X.

The remote control sensor is at the top left of the **SUB-W** button (5).



CARE AND MAINTENANCE

CD Player

The following guidelines will help you extend the life of your CD player:

1. When cleaning the vehicle interior, do not get water or cleaning fluids on the unit.
2. The CD player will not operate properly in extreme hot/cold or under damp conditions. In case of such conditions, wait until the vehicle interior reaches a normal temperature or any condensation on the disc player lens has evaporated before using the player.
3. Never insert anything other than round 5" CDs into the player. Attempting to insert CDs of other sizes (even with an adaptor) will cause damage not covered by the warranty.
4. Always remove the CD when the player is not in use.
5. The unit is designed with a vibration dampening CD mechanism to minimize interruption of disc play due to normal vibration in a moving vehicle. However, occasional sound skips may occur when driving on very rough roads. This will not scratch or damage the disc, and normal play will resume when the rough conditions cease.

Compact Discs

CD-R and CD-RW Capability

Depending on media type and method of "recording/burning", some CD-R/RWs may be incompatible with this unit. After "recording/burning", the session must be closed. Please refer to your software's recommended procedures for closing a disc/session. Review your recording software to familiarize yourself with the correct "recording/burning" procedures. We recommend using the latest versions of ROXIO™ or NERO™ burning software.

In addition, **this unit will only recognize the CDDA (Compact Disc Digital Audio), .MP3 and .WMA formats** "recorded / burned" onto a CD-R/RW. **This unit does not support .WAV, .OGG or other formats.**

CD Care and Handling

Dirt, dust, scratches and warpage can cause skips in the playback and deterioration of sound quality. Please follow these guidelines to take care of your compact discs.

1. Carefully wipe fingerprints, dust and dirt from the disc's playing surface with a soft cloth. Wipe in a straight motion from the inside to the outside of the disc.
2. Never use chemicals such as record sprays or household cleaners to clean CDs, as they can irreparably damage the disc's surface.
3. Discs should be kept in their storage cases when not in use.
4. Do not expose discs to direct sunlight, high temperatures or high humidity for long periods.
5. **Do not stick paper, tape or CD labels on disc surfaces, as internal damage may occur.**

TROUBLESHOOTING

Problem	Cause	Corrective Action
Does not operate (display does not light)	No power to yellow wire; no power to red wire	Check connection with test light; check vehicle fuse with test light
	Inline fuse blown	Replace fuse
	Front panel not installed properly	Reinstall front panel
No power to unit	Inline fuse blown	Check/replace fuse
No speakers operate (display lights normally)	Speaker harness not connected	Connect speaker harness; check speaker wires
Not all speakers operate	Incorrect splices or connections	Check all splices and connections
	Speaker wires shorting to chassis ground or to each other	Check splices, insulate all bare wires
Blows fuses	Power wire shorting to ground	Make sure wire is not pinched
	Speaker wires shorting to ground	Make sure wire is not pinched
	Incorrect fuse/fuse too small	Install fuse of correct rating
CD skips too much	Receiver mount is not solid or backstrap is not secure	Check mounting and backstrap, tighten if needed
	Installation angle more than 30%	Adjust angle to less than 30%
ERROR 1	Mechanism error	Press reset button
No File	No supported files found on disc/card	Insert different disc card with appropriate file type
Disc error	Disc dirty, scratched, upside down	Replace with clean, properly installed disc

SPECIFICATIONS



CEA Power Ratings

Power Output	18 watts RMS X 4 channels into 4-ohms @ < 1% THD+N
Signal to Noise Ratio	70dBA below reference. (Reference: 1 watt, 4-ohms)
Dynamic Power	88 Watts @ 4-Ohms all channels driven
Frequency Response	20Hz to 20kHz (-3dB), Auxiliary input used as source reference
Reference Supply Voltage	14.4VDC

CD Player

Signal to Noise Ratio	>90dBA
Frequency Response	20Hz to 20kHz, -3dB
Channel Separation	> 55dB @ 1kHz
D/A converter	.1-Bit/Ch

FM Tuner

Tuning Range	87.5MHz - 107.9MHz
Mono Sensitivity	12dBf
50dB Stereo Quieting Sensitivity	16dBf
Stereo Separation @ 1kHz	>30dB
Frequency Response	30Hz to 14kHz, -3dB

AM Tuner

Tuning Range	530kHz - 1720kHz
Sensitivity @ 20dB Signal to Noise	30uV
Frequency Response	50Hz - 2kHz, -3dB

Auxiliary Input

Input Sensitivity	.400mV RMS for 1 watt RMS into 4-ohms
Frequency Response	20Hz to 20kHz, -3dB
Input Impedance	10k-ohms

General

Power Supply	11 to 16VDC, negative ground
Fuse	.15 amp, ATO type
Wire Harness	20-pin quick-disconnect
DIN chassis dimensions	2" X 7" X 7" (51mm x 178mm x 178mm)

Specifications subject to change without notice.

12-MONTH LIMITED WARRANTY

AUDIOVOX CORPORATION (the Company) warrants to the original retail purchaser of this product that should this product or any part thereof, under normal use and conditions, be proven defective in material or workmanship within 12 months from the date of original purchase, such defect(s) will be repaired or replaced with new or reconditioned product (at the Company's option) without charge for parts and repair labor. To obtain repair or replacement within the terms of this Warranty, please contact Jensen at the telephone number provided below.

This Warranty does not extend to the elimination of car static or motor noise, to correction of antenna problems, to costs incurred for installation, removal, or reinstallation of the product, or damage to tapes, compact discs, accessories or vehicle electrical systems. This Warranty does not apply to any product or part thereof which, in the opinion of the Company, has suffered or been damaged through alteration, improper installation, mishandling, misuse, neglect, accident, or by removal or defacement of the factory serial number/bar code label(s) or markings. THE EXTENT OF THE COMPANY'S LIABILITY UNDER THIS WARRANTY IS LIMITED TO THE REPAIR OR REPLACEMENT PROVIDED ABOVE AND, IN NO EVENT, SHALL THE COMPANY'S LIABILITY EXCEED THE PURCHASE PRICE PAID BY PURCHASER FOR THE PRODUCT.

This Warranty is in lieu of all other express warranties or liabilities. ANY IMPLIED WARRANTIES, INCLUDING ANY IMPLIED WARRANTY OF MERCHANTABILITY, SHALL BE LIMITED TO THE DURATION OF THIS WRITTEN WARRANTY. ANY ACTION FOR BREACH OF ANY WARRANTY HEREUNDER INCLUDING ANY IMPLIED WARRANTY OF MERCHANTABILITY MUST BE BROUGHT WITHIN A PERIOD OF 12 MONTHS FROM DATE OF ORIGINAL PURCHASE. IN NO CASE SHALL THE COMPANY BE LIABLE FOR ANY CONSEQUENTIAL OR INCIDENTAL DAMAGES FOR BREACH OF THIS OR ANY OTHER WARRANTY, EXPRESS OR IMPLIED, WHATSOEVER. No person or representative is authorized to assume for the Company any liability other than expressed herein in connection with the sale of this product.

Some states do not allow limitations on how long an implied warranty lasts or the exclusion or limitation of incidental or consequential damage so the above limitations or exclusions may not apply to you. This Warranty gives you specific legal rights and you may also have other rights which vary from state to state.

U.S.A: 1-800-323-4815

CANADA: Call 1-800-323-4815 for location of warranty station serving your area.

if it's too
LOUD
you're too
OLD!



Audiovox Electronics Corporation
Hauppauge, NY 11788
Technical Assistance: 1-800-323-4815
www.jensen.com

© 2006 Audiovox
Ver. 062106
Printed in China

Free Manuals Download Website

<http://myh66.com>

<http://usermanuals.us>

<http://www.somanuals.com>

<http://www.4manuals.cc>

<http://www.manual-lib.com>

<http://www.404manual.com>

<http://www.luxmanual.com>

<http://aubethermostatmanual.com>

Golf course search by state

<http://golfingnear.com>

Email search by domain

<http://emailbydomain.com>

Auto manuals search

<http://auto.somanuals.com>

TV manuals search

<http://tv.somanuals.com>