

**P-98**

**HIGH POWER DETACHABLE FACE  
ELECTRONICALLY-TUNED AM/FM/MPX RADIO WITH COMPACT  
DISC PLAYER AND QUARTZ CLOCK**

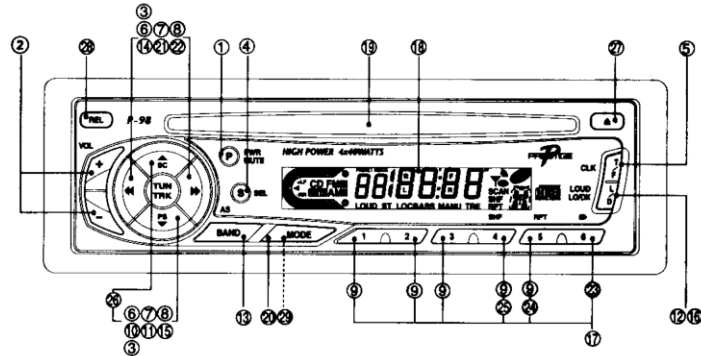
**AUTORADIO AM/FM/MPX GRANDE PUISSANCE À SYNTONISATION  
ÉLECTRONIQUE AVEC FAÇADE AMOVIBLE, DOTÉ D'UN LECTEUR DE  
DISQUE COMPACT ET D'UNE MONTRE À QUARTZ**

**RADIO AM/FM/MPX DE ALTA POTENCIA, CON SINTONIZACIÓN ELECTRÓNICA,  
PANEL DELANTERO DESMONTABLE, TOCADISCOS DE DISCOS COMPACTOS  
Y RELOJ DE CUARZO**



**OWNER'S  
MANUAL**

# OPERATING INSTRUCTIONS



## ① ON-OFF POWER BUTTON / MUTE

Press this button momentarily to turn the unit on. The unit will also turn on automatically when a compact disc is inserted if the ignition switch is "on". Press and hold the **PWR** button for 2 seconds to turn the unit "off".

This button is also used to mute the volume level when the unit is turned on. The **MUTE** indication will blink on the display and the audio will mute to the pre-set level.

**NOTE:** See section on "Mute level".

## ② VOLUME CONTROL

To increase the volume level, press the + side of the button. The volume will increase and the level will be shown on the display panel from a minimum of 0 to a maximum of 80. To increase the volume quickly, keep the button pressed. To decrease the

volume level, press the - side of the button. Keep the button pressed to decrease the volume quickly. The display will automatically return to the normal indication 5 seconds after the last volume adjustment or when another function is activated. These buttons are also used to adjust the mute level.

## ③ TUNE/LEVEL CONTROL ( << / >> ) ( ▲ / ▼ )

Use << / >> buttons for tuning radio, CD player track selection and for level adjustment of the bass, treble and balance features.

Use the ▲ / ▼ buttons for scan tuning, pre-set scan tuning, scan play in CD mode and for level adjustment of bass, treble and fader.

## ④ SELECT BUTTON (SEL)

**SELECT FUNCTION:** This button is used to select the audio function (bass, treble, balance, or fade) to be adjusted using the Level Control ③, as well as the mute level and level meter sensitivity.

**⑤ DISPLAY (T/F) BUTTON  
IGNITION-OFF CLOCK CALL**

During radio operation, a momentary press of the button will change the display from frequency to clock time. Press again and the radio display will change back to frequency.

During CD operation, a momentary press of the button will change the display from track elapsed time to clock time.

**IGNITION-OFF CLOCK CALL:** To check the time with the vehicle ignition switch in the "off" position, momentarily press the T/F button. The display will illuminate and show the time and then automatically shut off after 5 seconds.

**⑥ BASS CONTROL**

To adjust the bass level, first select the Bass mode by pressing the Select button ④ so that the level number above the **BASS** indication is flashing. Within 5 seconds of choosing the Bass mode, press either the ►► / ▲ or the ◀◀ / ▼ buttons of the Level control ③ to adjust the bass response as desired. The bass level will be shown on the display panel from a minimum of -7 to a maximum of 7 (0 is flat response). The display will automatically return to the normal indication 5 seconds after the last adjustment or when another function is activated.

**⑦ TREBLE CONTROL**

To adjust the treble level, first select the Treble mode by pressing the Select button ④ so that the level number above the **TRE** indication is flashing. Within 5 seconds of choosing the Treble mode, press either the ►► / ▲ or the ◀◀ / ▼ buttons of the Level control ③ to adjust the treble response as desired. The treble level will be shown on the display panel from a minimum of -7 to

a maximum of 7 (0 is flat response). The display will automatically return to the normal indication 5 seconds after the last adjustment or when another function is activated.

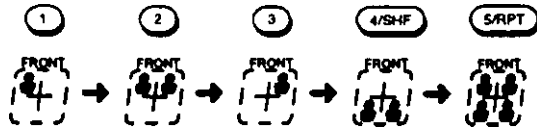
**⑧ LEFT/RIGHT BALANCE & FRONT/REAR FADER CONTROL**

To adjust the left-right speaker balance and front-rear fader, first select the Balance/Fader mode by pressing the Select button ④ so that the **L0 R0** indication appears on the display panel. Within 5 seconds of choosing the Balance/Fader mode, press the ◀◀ button of the Level Control ③ to adjust the stereo balance to the left channel speakers or the ►► button to adjust it to the right channel speakers. When the volume level between the right and left channels is equal, **L0** will be shown on the display panel. Adjusting the balance toward the right will increase the number on the right side of the display to a maximum of **R9** (full right). Adjusting the balance toward the left will increase the number on the left side of the display to a maximum of **L9** (full left). The display will automatically return to the normal indication 5 seconds after the last balance adjustment or when another function is activated.

Press the ▲ or the ▼ buttons of the Level Control ③ to adjust the front-rear speaker levels as desired. When the level of the front and rear speakers is equal, **F0** will be shown on the display panel. Adjusting the fader toward the front speakers will increase the number on the left side of the display to a maximum of **F9** (full front). Adjusting the fader toward the rear speakers will increase the number on the right side of the display to a maximum of **R9** (full rear). The display will automatically return to the normal indication 5 seconds after the last fader adjustment or when another function is activated.

## ⑨ SOUND STAGE PRE-SETS

The sound stage features allows the user to quickly adjust the balance and fader controls for optimum listening in each of the various seating positions in the vehicle. To select one of the five sound stage pre-sets, enter the balance/fader mode by pressing the select button ④ so that the **FO** indication appears on the display panel. Within 5 seconds of choosing the mode, press one of the following pre-set buttons as indicated below to optimize listening for the five seating position:



The sound stage pre-sets are factory set to the following conditions:

|       |   |                           |         |
|-------|---|---------------------------|---------|
| ①     | : | For the left front seat   | (R2 R4) |
| ②     | : | For the entire front seat | ( 0 R4) |
| ③     | : | For the right front seat  | (L2 R4) |
| ④/SHF | : | For the entire rear seat  | ( 0 F4) |
| ⑤/RPT | : | For the entire vehicle    | ( 0 0)  |

If desired, you can change the factory sound stage settings for each of the five seating positions by adjusting the balance and fader levels and then pressing the appropriate pre-set button for more than 2 seconds. The balance and fader indicator will blink when the new setting is stored.

## ⑩ MUTE LEVEL

To adjust the mute level, first select the mute mode by pressing the select button ④ so that the **MUTE** indication appears on the display. Within 5 seconds of choosing the mute level mode,

press the  $\downarrow$  button of the level control to decrease or the  $\uparrow$  to increase. The mute level can be decreased to -80 (silence) and increased to -0 (no effect) default setting is -20.

## ⑪ LEVEL METER SENSITIVITY

To adjust the level meter sensitivity, first select the level meter mode by pressing the select button ④ so that the **LE** indication is shown on the display. Use the  $\blacktriangle$  button to select **Hi** (High) sensitivity and  $\blacktriangledown$  button to select the **Lo** (Low) sensitivity setting for the level meter display. This feature allows the user to select the level meter scale.

## ⑫ LOUDNESS CONTOUR (L/D)

Pressing this button for longer than 2 seconds will activate the Loudness Contour as indicated by **LOUD** on the display panel. When listening to music at low volume levels, this feature will boost the bass and treble ranges to compensate for the characteristics of human hearing. Pressing the button again for longer than 2 seconds will deactivate the feature and **LOUD** will disappear from the display panel.

**NOTE:** Momentary presses of the button will change the radio sensitivity in Seek and Scan Tuning modes from local to distance and back again as described in section ⑩.

## ⑬ AM/FM BAND SELECTOR (BAND) AUTO-STORE TUNING (AS)

During radio operation, each momentary press of this button will change the radio band. The indication **AMI**, **AMII**, **FMI**, **FMII**, or **FMIII** will appear on the display panel according to your selection.

Pressing and holding the button for longer than 4 seconds will activate the Auto-Store Tuning function which will automatically scan the AM or FM bands and enter strong stations into the

pre-set memory positions for that band. If you have already set the pre-set memories on the AM or FM bands to your favorite stations, activating the Auto-Store feature will erase those stations and enter new ones. This feature is most useful when traveling in a new area where you are not familiar with the local stations.

**⑭ MANUAL UP/DOWN TUNING (▶▶ / ◀◀)  
AUTOMATIC SEEK TUNING**

Each time the ▶▶ side of the button is tapped, the radio will tune one frequency step higher. Similarly, each tap of the ◀◀ side of the button will tune one frequency step lower. To manually tune in a station, tap the button of the appropriate direction until the desired frequency is reached.

Pressing either side of the button for longer than 0.5 seconds and then releasing will activate the Automatic Seek Tuning function. The radio will seek the next available station and stop at that frequency. The Seek function can be stopped by pressing the button again or activating any other tuning function.

Pressing and holding either side of the button for longer than 0.5 seconds will cause the radio to continue tuning rapidly in the selected direction until the button is released at which point it will seek to the next available station.

**⑮ AUTOMATIC SCAN TUNING (▲ / SC)  
PRE-SET SCAN TUNING (▼ / PS)**

During radio operation, press this button to scan the stations on the band in use, stopping at each one for 8 seconds before continuing to the next station (the frequency on the display panel will flash during Scan mode operation). When a desired station is reached, press the button again to stop the Scan function and remain on the selected frequency. Scan mode will also be canceled by activating any other tuning function.

Pressing and holding the button for 2 seconds will activate the

Pre-Set Scan Tuning function which will scan the 6 stations pre-set into the memories of the AM band or the 12 stations pre-set into the FMI and FMII bands. The unit will stop at each pre-set station for 8 seconds before continuing to the next pre-set station (the pre-set number on the display panel will flash during Pre-Set Scan operation). Press the button again momentarily to stop Pre-Set Scan operation and remain on the selected frequency.

**⑯ LOCAL/DISTANT SELECTOR (L/D)**

This feature is used to select the strength of the signals at which the radio will stop during Automatic Seek and Scan Tuning. Momentarily pressing the button will select the Local setting (**LOC** will appear on the display panel) and only strong (local) stations will be received. Momentarily pressing the button again will select the Distant setting (**LOC** will disappear from the display panel) and the radio will stop at a wider range of signals, including weaker (more distant) stations.

**NOTE:** Pressing this button for longer than 2 seconds will activate or deactivate the Loudness Contour feature as described in Section ⑫.

**⑰ STATION PRE-SET MEMORIES**

To set any of the 6 pre-set memories in each band, use the following procedure:

1. Turn the radio on and select the desired band.
2. Select the first station to be pre-set using the Manual Up/Down or Automatic Seek Tuning Controls ⑭.
3. Press the pre-set button to be set and continue to hold it in. After approximately 2 seconds, the display will flash and the volume will be momentarily muted indicating that the station is now set into that pre-set memory position. The station can now be recalled at any time by pressing that button.

4. Repeat the above procedure for the remaining 5 pre-sets on that band and for the other 2 bands on the unit.

### ⑱ LIQUID CRYSTAL DISPLAY PANEL

The Liquid Crystal Display (LCD) panel displays the frequency, time, and activated functions.

**NOTE:** It is a characteristic of LCD panels that, if subjected to cold temperatures for an extended period of time, they may take longer to illuminate than under normal conditions. In addition, the visibility of the numbers on the LCD may slightly decrease. The LCD read-out will return to normal when the temperature increases to a normal range.

### ⑲ DISC SLOT

With the label surface facing up, gently insert the disc into the slot until the soft-loading mechanism engages (**LOAD** will appear on the display panel) and disc play begins. The **IN** indication and track number will appear on the display panel.

**NOTE:** This unit is designed for play of standard 5" (12cm) Compact Discs ONLY. Do not attempt to use 3" (8cm) CD-Singles in this unit, either with or without an adapter, as damage to the player and/or disc can occur. Such damage will not be covered by the Warranty on this product.

### ⑳ CD MODE SELECTOR (MODE)

When listening to radio with a disc loaded in the unit (**IN** on the display panel), press this button to return to disc play mode from the point at which play was stopped.

During disc play, pressing this button will stop play of the disc and switch to radio operation without ejecting the disc. During this time, the **IN** indication will remain on the display panel to show that a disc is still loaded in the unit. Press the button again to return to disc play from the point at which it was stopped.

### ㉑ TRACK SELECT (▶▶/◀◀)

These buttons are used to quickly select the beginning of a particular track. With each momentary tap of the Forward Track Select button ▶▶, the next higher track number will be selected as shown on the display panel. Similarly, with each momentary tap of the Backward Track Select button ◀◀, the next lower track number will be selected.

### ㉒ CUE/REVIEW FUNCTIONS (▶▶/◀◀)

High-speed audible search to any section of the disc can be made by the Cue and Review functions. Press and hold the Cue button ▶▶ to advance rapidly in the forward direction or the Review button ◀◀ to advance rapidly in the backward direction. During either function, the elapsed time within each track will automatically be shown on the display panel.

### ㉓ PAUSE/PLAY SELECTOR (6/II▶)

During disc play, press this button to temporarily stop play of the disc (**PAUS** indication will flash on the display panel). Press the button again to resume play of the disc from the point at which it was stopped. Pause mode will also be canceled by activating any other disc function.

### ㉔ REPEAT PLAY SELECTOR (5/RPT)

During disc play, press this button to repeat the play of the selected track (**RPT** will appear on the display panel). Play of the track will continue to repeat until the button is pressed again and the **RPT** indication disappears from the display panel. Repeat Play mode will also be canceled by activating Shuffle Play ㉕ or Track Scan ㉖ functions.

### ㉕ SHUFFLE PLAY SELECTOR (4/SHF)

During disc play, press this button to play the tracks on the disc

in a random shuffled order (**SHF** will appear on the display panel). In Shuffle Play mode, the Forward Track Select (+) will also select tracks in the random order instead of the normal progression. Backward Track Select (-) will only go back to the beginning of the track in play. The Shuffle Play mode can be canceled by pressing the button again (**SHF** indication will disappear from the display panel) or by activating the Repeat Play (24) or Track Scan (26) functions.

#### (26) TRACK SCAN (▲)

During disc play, press this button to play the first 10 seconds of each track on the disc (**SCAN** will appear and the track number on the display panel will flash during Track Scan operation). When a desired track is reached, press the Scan button again to cancel the function (**SCAN** will disappear and track number will stop flashing) and play of the selected track will continue. Track Scan mode will also be canceled by activating the Repeat Play (24), Shuffle Play (25), Track Select (21) or Cue/Review (22) functions.

#### (27) DISC EJECT (▲)

Disc play is stopped, the disc is ejected (**EJ** on display panel), and the unit will change to radio operation by pressing this button. If the disc is not removed from the unit within 10 seconds of being ejected, it will automatically be re-loaded into the unit to prevent damage (**IN** will appear on the display panel). Pressing the Eject button again before removing the disc will also reload the disc into the unit. Discs may be loaded or ejected with the ignition switch on or off.

#### (28) FRONT PANEL RELEASE BUTTON

This button is used to release the mechanism that holds the front panel to the chassis. To detach the front panel, press the button so that the left side of the panel is released. Grasp the released

side and pull it off of the chassis. To re-attach the panel, position the right side of the panel in place first and then press the left side of the panel until the mechanism locks it into place.

#### NOTES ON USE OF FRONT PANEL

1. Make sure the front panel is right-side-up when attaching it to the chassis as it cannot be attached when up-side down.
2. Do not press very hard on the front panel when attaching it to the chassis. No more than light to moderate pressure should be needed.
3. When attaching the front panel, make sure the right side is correctly engaged before pressing the left side to lock it into position.
4. When taking the front panel with you, please use the supplied carrying case to protect the panel from dirt and damage. Make sure there is no dust or dirt on the electrical terminals on the back of the panel as this could cause intermittent operation or other malfunctions.

#### (29) RE-SET BUTTON

A Re-Set button is located on the front of the chassis (front panel must be removed to access the button). The re-set circuitry is provided to protect the microprocessor circuitry and should only be activated under the following circumstances as it will erase the time and pre-set memories.

1. Upon initial installation after all wiring is complete.
2. After the position of the frequency step switch on the bottom of the chassis has been changed.
3. If there is a malfunction of any of the switches on the unit, pressing the Re-Set button may clear the system and return to normal operation.

---

## **SETTING THE CLOCK**

---

1. Turn the radio on so that the radio frequency or clock time is shown on the display panel.
2. Press and hold the T/F button (5) approximately 2 seconds until the time display begins flashing.
3. Press the ◀◀ to select hour adjustment and the ▶▶ to select minutes adjustment.
4. After selecting either hour or minute adjustment ▲ button to increment or the ▼ button to decrement to the correct time.
5. When the correct time is shown on the display panel, press the T/F button (5) again to return to normal display.

---

## **ERROR CODES**

---

If a problem should develop while operating the CD player, the following error codes may be displayed on the LCD panel.

**E-01:** Indicates an error in the unit reading the data on the disc.

**E-02:** Indicates an error in the laser focus on the disc. May be caused by high temperature conditions in which case play will resume when the temperature returns to normal range.

**E-03:** Indicates a data and focus error. May be caused by high temperature conditions in which case play will resume when the temperature returns to normal.

**E-04:** Indicates a mechanical error.

**E-05:** Indicates a problem with the loading or eject mechanism.

In case of any of the above indications, eject the disc, make sure it is clean, undamaged, and had been loaded correctly (label side up). Re-load the disc and check for proper operation or try another disc. You may also try pressing the Re-set button (29) on the front of the chassis (remove the front panel), but this will also erase the time setting and pre-set memories. If these suggestions do not solve the problem, contact an approved warranty station for further assistance.



## ***SPECIFICATIONS***

|                        |  |
|------------------------|--|
| Size:                  | 7" W x 2" H x 6-1/8" D<br>178 mm x 50 mm x 155 mm  |
| Operating Voltage:     | 12 volts DC, negative ground   |
| Output Power:          | 160 watts maximum<br>(40 watts x 4 channels)   |
| Output Wiring:         | Floating-ground type designed for 4 speaker use.<br>The amplifiers in this unit are NOT designed for<br>use with 2 speakers.<br>RCA low-level outputs (rear channels). |
| Output Impedance:      | Compatible with 4-8 ohm speakers.  |
| Low-Level Output:      | 2.0 volts (2,000 mv.)  |
| Tuning Range:          | AM: 530-1,710 KHz. (10 KHz. step)<br>FM: 87.5-107.9 MHz. (200 KHz. step)   |
| Sensitivity:           | AM: 20 uv.<br>FM: 1.5 uv.  |
| FM Stereo Separation:  | 30 dB  |
| CD Frequency Response: | 20 - 20,000 Hz. $\pm 1$ dB   |
| CD Signal/Noise Ratio: | 98 dB  |
| CD Channel Separation: | 60 dB  |
| CD Distortion:         | 0.2%   |

\*Specifications are subject to change without notice.

## **CARE AND MAINTENANCE**

The radio section of your new sound system does not require any maintenance. We recommend you keep this manual for reference on the many features found in this unit as well as how to set the clock.


The compact disc player section also requires no routine maintenance, but proper understanding of its use and handling will help you obtain maximum enjoyment of its capabilities. The following points should be observed:

- When cleaning the interior of the vehicle, do not get water or cleaning fluids on the unit.
- The CD player is a precision instrument and will not operate properly in extreme hot or cold. In case of such conditions, wait until the interior temperature of the vehicle reaches a normal temperature before using the player.
- If the temperature inside the player gets too hot, a protective circuit will automatically stop play of the disc. In this case, allow the unit to cool off before operating the player again.
- Never insert anything other than a 5" (12 cm) compact disc into the player as the mechanism can be damaged by foreign objects.
- Do not attempt to use 3" (8 cm) CD-Single discs in this unit, either with or without an adaptor, as damage to the player and/or disc may occur. Such damage will not be covered by the Warranty on this product.
- When not using the disc player, always remove the compact disc. Do not leave an ejected disc sitting in the disc slot as this can expose it to sunlight and other causes of damage.

- Do not attempt to open the unit chassis. There are no user serviceable parts or adjustments inside.
- When the vehicle warms up during cold weather or under damp conditions, moisture may condense on the lens of the disc player. Should this occur, the player will not operate properly until the moisture has evaporated.
- The unit is designed with a vibration dampening CD mechanism to minimize interruption of disc play due to normal vibration in a moving vehicle. When driving on very rough roads, however, occasional sound skips may occur. This will not scratch or damage the disc and normal play will resume when the rough conditions cease.

### **HANDLING COMPACT DISCS**

Dirt, dust, scratches, and warpage can cause skips in the playback and deterioration of sound quality. Please follow these guidelines to take care of your compact discs:

- Use only compact discs with the mark . The logo consists of the word "COMPACT" above "disc" in a stylized font, with "DIGITAL AUDIO" below it.
- Fingerprints, dust, and dirt should be carefully wiped off the disc's playing surface (shiny side) with a soft cloth. Wipe in a straight motion from the inside to the outside of the disc.
- Never use chemicals such as record sprays, household cleaners or thinner to clean compact discs. Such chemicals can irreparably damage the disc's surface.
- Discs should be kept in their storage cases when not in use.
- Do not expose discs to direct sunlight, high temperatures or high humidity for extended periods.
- Do not stick paper, tape, or labels on the disc surfaces nor write on them with any type of marker.

-9-



## 12 / 24 MONTH LIMITED WARRANTY

*Applies to automotive radios, radio/tape players, radio/CD players, CD changers, power amplifiers, equalizers and accessories.*

AUDIOVOX CORPORATION (the Company) warrants to the original retail purchaser of this product that should this product or any part thereof, under normal use and conditions, be proven defective in material or workmanship within 12 months from the date of original purchase, such defect(s) will be repaired or replaced with new or reconditioned product (at the Company's option) without charge for parts and repair labor.

To obtain repair or replacement within the terms of this Warranty, the product is to be delivered with proof of warranty coverage (e.g. dated bill of sale), specification of defect(s), transportation prepaid, to an approved warranty station or the Company at the address shown below.

The warranty period will be extended to 24 months from the date of original purchase if the product is installed by an authorized Prestige Audio dealer. To claim warranty service during this extended period, the bill of sale must specify that the product was installed by an authorized Prestige Audio dealer.

This Warranty does not extend to the elimination of externally generated static or noise, to correction of antenna problems, to costs incurred for installation, removal or reinstallation of the product, or to damage to tapes, compact discs, speakers, accessories, or vehicle electrical systems.

This Warranty does not apply to any product or part thereof which, in the opinion of the Company, has suffered or been damaged through alteration, improper installation, mishandling, misuse, neglect, accident, or by removal or defacement of the factory serial number/bar code label(s). THE EXTENT OF THE COMPANY'S LIABILITY UNDER THIS WARRANTY IS LIMITED TO THE REPAIR OR REPLACEMENT PROVIDED ABOVE AND, IN NO EVENT, SHALL THE COMPANY'S LIABILITY EXCEED THE PURCHASE PRICE PAID BY PURCHASER FOR THE PRODUCT.

This Warranty is in lieu of all other express warranties or liabilities. ANY IMPLIED WARRANTIES, INCLUDING ANY IMPLIED WARRANTY OF MERCHANTABILITY, SHALL BE LIMITED TO THE DURATION OF THIS WRITTEN WARRANTY. ANY ACTION FOR BREACH OF ANY WARRANTY HEREUNDER INCLUDING ANY IMPLIED WARRANTY OF MERCHANTABILITY MUST BE BROUGHT WITHIN A PERIOD OF 30 MONTHS FROM DATE OF ORIGINAL PURCHASE. IN NO CASE SHALL THE COMPANY BE LIABLE FOR ANY CONSEQUENTIAL OR INCIDENTAL DAMAGES FOR BREACH OF THIS OR ANY OTHER WARRANTY, EXPRESS OR IMPLIED, WHATSOEVER. No person or representative is authorized to assume for the Company any liability other than expressed herein in connection with the sale of this product.

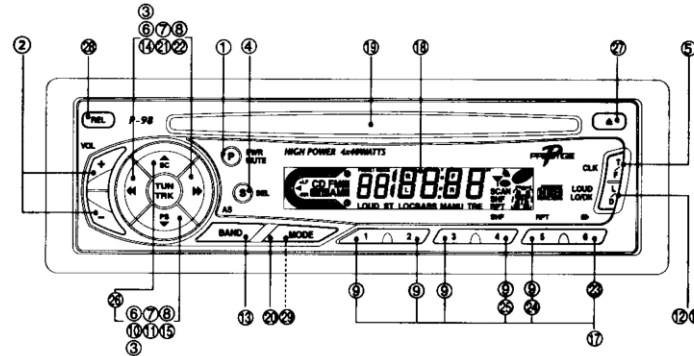
Some states do not allow limitations on how long an implied warranty lasts or the exclusion or limitation of incidental or consequential damage so the above limitations or exclusions may not apply to you. This Warranty gives you specific legal rights and you may also have other rights which vary from state to state.

**U.S.A. :** AUDIOVOX CORPORATION, 150 MARCUS BLVD., HAUPPAUGE, NEW YORK 11788 • 1-800-645-4994

**CANADA :** CALL 1-800-645-4994 FOR LOCATION OF WARRANTY STATION SERVING YOUR AREA

128-5543

# NOTICE D'UTILISATION



## ① TOUCHE DE MARCHE-ARRÊT/MISE EN SOURDINE

Appuyez brièvement sur cette touche pour allumer l'appareil. L'appareil s'allume également automatiquement lorsque l'on insère un disque compact, si le contact est mis. Maintenez la touche **PWR** enfoncée pendant 2 secondes pour éteindre l'appareil. Cette touche permet également la mise en sourdine lorsque l'appareil est allumé. L'indication **MUTE** clignote sur l'affichage et le volume est mis en sourdine au niveau pré réglé.

**REMARQUE** : Se reporter à la section « Volume de la mise en sourdine ».

## ② TOUCHES DE RÉGLAGE DU VOLUME

Pour augmenter le volume, appuyez sur la partie « + » de la touche. Le volume augmentera et le niveau s'inscrira sur le panneau d'affichage, sa valeur étant comprise entre 0 et 80.

Pour augmenter rapidement le volume, maintenez la touche

enfoncée. Pour baisser le volume, appuyez sur la partie « - » de la touche. Maintenez la touche enfoncée pour baisser le volume rapidement. L'affichage reviendra automatiquement à l'indication normale 5 secondes après le dernier réglage du volume ou lorsqu'une autre fonction sera activée. Ces touches servent également à régler le volume de la mise en sourdine.

## ③ TOUCHES DE SYNTONISATION/RÉGLAGE DU VOLUME (◀ / ▶) (▲ / ▼)

Utilisez les touches ◀ / ▶ pour syntoniser l'autoradio, sélectionner des plages pendant la lecture d'un CD ou pour régler le niveau des basses, des aigus et la balance.

Utilisez les touches ▲ / ▼ pour la syntonisation par balayage, la syntonisation automatique des présélections, le balayage des introductions des plages en mode CD ainsi que pour régler le niveau des basses, des aigus et l'équilibreur avant-arrière.

#### ④ SÉLECTEUR (SEL)

**FONCTION SÉLECTEUR :** Cette touche permet de sélectionner la fonction audio à régler (basses, aigus, balance ou équilibreur avant-arrière) à l'aide de la touche de réglage du volume ④ ainsi que le volume de la mise en sourdine et la sensibilité de l'indicateur de volume.

#### ⑤ TOUCHE D'AFFICHAGE (T/F)

##### APPEL DE L'HEURE CONTACT COUPÉ

Lorsque l'autoradio est allumé, une brève pression sur cette touche permet de passer de l'affichage de la fréquence à celui de l'heure. Appuyez de nouveau sur la touche pour revenir à l'affichage de la fréquence.

Lorsque vous écoutez un disque compact, une brève pression sur la touche permet de passer de l'affichage de la durée écoulée d'une plage à celui de l'heure.

**APPEL DE L'HEURE CONTACT COUPÉ :** Pour regarder l'heure lorsque le contact est coupé, appuyez brièvement sur la touche T/F. L'affichage lumineux indiquera l'heure puis s'éteindra automatiquement au bout de 5 secondes.

#### ⑥ RÉGLAGE DES BASSES

Pour régler le niveau des basses, commencez par sélectionner le mode Basses en appuyant sur le sélecteur ④ de façon à ce que le chiffre indiquant le niveau, situé au-dessus de l'indication **BASS**, clignote. Dans un délai de 5 secondes après avoir choisi le mode Basses, appuyez sur l'une des touches de réglage du volume ③ ►► / ▲ ou ◀◀ / ▼, pour régler les basses au niveau souhaité. Le niveau des basses s'affichera et sera compris entre **-7** et **7** (**0** représentant la fidélité uniforme). L'affichage reviendra automatiquement à l'indication normale 5 secondes après le dernier réglage ou lorsqu'une autre fonction sera activée.

#### ⑦ RÉGLAGE DES AIGUS

Pour régler le niveau des aigus, commencez par sélectionner le mode Aigus en appuyant sur le sélecteur ④ de façon à ce que l'indication **TRE** s'affiche. Dans un délai de 5 secondes après avoir choisi le mode Aigus, appuyez sur l'une des touches de réglage du volume ③, ►► / ▲ ou ◀◀ / ▼, pour régler les aigus au niveau souhaité. Le niveau des aigus s'affichera et sera compris entre **-7** et **7** (**0** représentant la fidélité uniforme). L'affichage reviendra automatiquement à l'indication normale 5 secondes après le dernier réglage ou lorsqu'une autre fonction sera activée.

#### ⑧ RÉGLAGE DE LA BALANCE ET DE L'ÉQUILIBREUR AVANT-ARRIÈRE

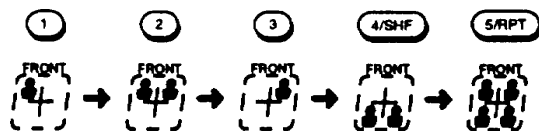
Pour régler la balance entre le haut-parleur droit et le haut-parleur gauche et l'équilibreur avant-arrière entre les haut-parleurs avant et arrière, commencez par sélectionner le mode Balance/Équilibreur en appuyant sur le sélecteur ④ de façon à ce que l'indication **0** s'affiche. Dans un délai de 5 secondes après avoir choisi ce mode, appuyez sur la touche ◀◀ de réglage du volume ③ pour privilégier les haut-parleurs de la voie gauche, ou sur la touche ►► pour privilégier les haut-parleurs de la voie droite. Lorsque le volume entre les voies droite et gauche est équilibré, le panneau d'affichage indique **0**. Régler une balance privilégiant la voie droite fait augmenter la valeur droite de l'affichage, avec un maximum de **R9** (voie gauche coupée). Régler une balance privilégiant la voie gauche fait augmenter la valeur gauche de l'affichage, avec un maximum de **L9** (voie droite coupée). L'affichage revient automatiquement à l'indication normale 5 secondes après le dernier réglage de la balance ou lorsqu'une autre fonction est activée.

Appuyez sur la touche ▲ ou sur la touche ▼ de réglage du

volume ③ pour régler les haut-parleurs avant et arrière au niveau souhaité. Lorsque le niveau des haut-parleurs avant et arrière est équilibré, le panneau d'affichage indique **0**. Réaliser un équilibrage privilégiant les haut-parleurs avant fait augmenter la valeur gauche de l'affichage, avec un maximum de **F9** (haut-parleurs arrière coupés). Réaliser un équilibrage privilégiant les haut-parleurs arrière fait augmenter la valeur droite de l'affichage, avec un maximum de **R9** (haut-parleurs avant coupés). L'affichage revient automatiquement à l'indication normale 5 secondes après le dernier réglage de l'équilibreur avant-arrière ou lorsqu'une autre fonction est activée.

### ⑨ PRÉRÉGLAGE DES NIVEAUX AUDIO

Le préréglage des niveaux audio permet à l'utilisateur de régler rapidement la balance et l'équilibreur avant-arrière de façon à ce que l'on puisse jouir d'une écoute optimale quel que soit le siège que l'on occupe dans le véhicule. Pour sélectionner l'un des cinq niveaux audio préréglés, accédez au mode Balance/Équilibreur en appuyant sur le sélecteur ④, de façon à ce que l'indication **0 0** s'affiche. Dans un délai de 5 secondes après avoir choisi ce mode, appuyez sur l'une des touches de préréglage suivantes, comme indiqué ci-dessous, afin d'optimiser l'écoute pour les cinq configurations de sièges :



Les niveaux audio sont préréglés en usine pour les configurations suivantes :

|       |                        |         |
|-------|------------------------|---------|
| ①     | : siège avant gauche   | (R2 R4) |
| ②     | : sièges avant         | ( 0 R4) |
| ③     | : siège avant droit    | (L2 R4) |
| 4/SHF | : banquette arrière    | ( 0 F4) |
| 5/RPT | : ensemble du véhicule | ( 0 0)  |

Si on le souhaite, il est possible de modifier les niveaux audio préréglés en usine pour chacune des cinq configurations de sièges en changeant le réglage de la balance et de l'équilibreur avant-arrière puis en appuyant sur la touche de préréglage appropriée pendant plus de 2 secondes. L'indicateur de la balance et de l'équilibreur avant-arrière clignote lorsque le nouveau réglage est mémorisé.

### ⑩ VOLUME DE LA MISE EN SOURDINE

Pour régler le volume de la mise en sourdine, commencez par sélectionner le mode Mise en sourdine en appuyant sur le sélecteur ④ de façon à ce que l'indication MUTE s'affiche. Dans un délai de 5 secondes après avoir choisi ce mode, appuyez sur la touche de réglage du volume pour le baisser ou l'augmenter. On peut baisser le volume de la mise en sourdine jusqu'à -80 (silence) et l'augmenter jusqu'à -0 (pas d'effet), le réglage par défaut étant de -20.

### ⑪ SENSIBILITÉ DE L'INDICATEUR DE VOLUME

Pour régler la sensibilité de l'indicateur de volume, commencez par sélectionner le mode Sensibilité de l'indicateur de volume en appuyant sur le sélecteur ④ de façon à ce que l'indication LE s'affiche. Appuyez sur la touche ▲ pour sélectionner une

sensibilité élevée (Hi) ou sur la touche ▼ pour sélectionner un réglage faible de la sensibilité (Lo) pour l'affichage de l'indicateur de volume. Cette fonction permet à l'utilisateur de choisir l'échelle de l'indicateur de volume.

### ⑫ **COMPENSATION PHYSIOLOGIQUE (L/D)**

Appuyer sur cette touche pendant plus de 2 secondes active la compensation physiologique comme l'indique la mention **LOUD** qui s'inscrit sur le panneau d'affichage. Lorsque vous écoutez de la musique à faible volume, cette fonction accentue les fréquences basses et aiguës de façon à compenser les insuffisances de l'oreille humaine. Appuyer de nouveau sur le sélecteur pendant plus de 2 secondes désactive la fonction et l'indication **LOUD** s'efface.

**REMARQUE :** De brèves pressions sur la touche font passer la sensibilité de l'autoradio, lorsque celui-ci se trouve sur les modes Repérage ou Balayage, de locale à distante et vice-versa, comme le décrit la section ⑩

### ⑬ **SÉLECTEUR DE BANDE AM/FM (BAND) MÉMORISATION AUTOMATIQUE DES STATIONS (AS)**

En mode Radio, chaque brève pression sur cette touche change de bande radio. L'une des indications **AMI**, **AMII**, **FMI** ou **FMII** s'inscrit sur le panneau d'affichage en fonction de votre sélection.

Maintenir la touche enfoncée plus de 4 secondes active la fonction de mémorisation automatique des stations qui balaie automatiquement les bandes AM ou FM et mémorise les stations dont la réception est bonne aux endroits réservés aux présélections de la bande correspondante.

Si vous avez déjà attribué les endroits réservés aux présélections

des bandes AM ou FM à vos stations favorites, activer la fonction de mémorisation automatique des stations effacera ces stations pour en mémoriser de nouvelles. Cette fonction est particulièrement utile lorsque vous voyagez dans une région dont vous ne connaissez pas les stations locales.

### ⑭ **SYNTONISATION MANUELLE VERS LE HAUT OU VERS LE BAS (▶▶ / ◀◀) SYNTONISATION AUTOMATIQUE PAR REPÉRAGE**

Chaque fois que l'on appuie légèrement sur la partie ▶▶ de la touche, l'autoradio se syntonise un pas de fréquence plus haut. De la même façon, chaque pression sur la partie ◀◀ de la touche syntonise l'appareil un pas de fréquence plus bas. Pour faire l'accord sur une station manuellement, appuyez légèrement sur la touche dans la direction voulue jusqu'à parvenir à la station désirée.

Appuyer sur un côté ou l'autre de la touche pendant plus de 0,5 seconde puis le relâcher active la fonction de syntonisation automatique par repérage. L'autoradio repère la station disponible suivante et s'arrête sur cette fréquence. Il est possible d'interrompre la fonction de repérage en appuyant de nouveau sur la touche ou en activant n'importe quelle autre fonction de syntonisation.

Appuyer sur un côté ou l'autre de la touche et le maintenir enfoncé pendant plus de 0,5 seconde a pour effet de poursuivre la syntonisation rapide de l'autoradio dans la direction choisie jusqu'à ce que l'on relâche la touche ; l'appareil repère alors la station disponible suivante et s'y arrête.

### ⑮ SYNTONISATION AUTOMATIQUE PAR BALAYAGE ( ▲/SC)

#### SYNTONISATION DES PRÉSÉLECTIONS PAR BALAYAGE ( ▼/PS)

En mode radio, appuyez sur cette touche pour balayer les stations de la bande utilisée. L'appareil s'arrête 8 secondes sur chaque station avant de passer à la suivante (la fréquence affichée clignote sur le panneau d'affichage en mode Balayage). Lorsque vous parvenez à une station intéressante, appuyez de nouveau sur la touche pour interrompre la fonction de balayage et rester sur la fréquence choisie. Le mode Balayage peut également être désactivé en activant n'importe quelle autre fonction de syntonisation.

Maintenir la touche enfoncée pendant 2 secondes active la fonction de syntonisation des présélections par balayage qui balaie les 6 stations mémorisées sur la bande AM ou les 12 stations mémorisées sur les bandes FMI et FMII. L'appareil s'arrête sur chacune des stations pré-réglées pendant 8 secondes avant de passer à la suivante (le numéro de la présélection clignote sur le panneau d'affichage au cours du balayage des présélections). Appuyez de nouveau brièvement sur la touche pour interrompre le balayage des présélections et rester sur la fréquence sélectionnée.

### ⑯ SÉLECTEUR LOCAL/DISTANT (L/D)

Cette fonction permet de choisir la puissance des signaux sur lesquels l'autoradio s'arrêtera lors de la syntonisation automatique par repérage et par balayage. Une brève pression sur la touche sélectionnera le réglage local (**LOC** s'inscrit sur le panneau d'affichage) et seules les stations dont le signal est puissant (stations locales) seront reçues. Une nouvelle pression

brève sur la touche sélectionnera le réglage distant (**LOC** s'effacera du panneau d'affichage) et l'autoradio s'arrêtera sur un plus grand nombre de signaux, dont ceux, plus faibles, émis par les stations plus éloignées.

**REMARQUE :** Appuyer sur cette touche pendant plus de 2 secondes active ou désactive la fonction de compensation physiologique décrite à la section ⑫.

### ⑰ PRÉSÉLECTION DES STATIONS

Pour effectuer l'une des 6 présélections possibles sur chacune des bandes, procédez comme suit :

1. Allumez l'autoradio et sélectionnez la bande désirée.
2. Choisissez la première station à mémoriser à l'aide des touches de syntonisation manuelle vers le haut ou vers le bas ou de syntonisation automatique par repérage ⑭.
3. Appuyez sur la touche de présélection choisie et maintenez-la enfoncée. Au bout de 2 secondes environ, l'affichage clignotera et le volume sera momentanément coupé, indiquant que la station est à présent mémorisée à cet endroit. Il est maintenant possible de rappeler la station à tout moment en appuyant sur cette touche.
4. Répétez la procédure ci-dessus pour les 5 touches de présélection restantes de cette bande ainsi que pour les deux autres gammes de fréquences de l'appareil.

### ⑱ PANNEAU D'AFFICHAGE À CRISTAUX LIQUIDES

Le panneau d'affichage à cristaux liquides (LCD) affiche la fréquence, l'heure et les fonctions activées.

**REMARQUE :** Les panneaux d'affichage à cristaux liquides présentent la particularité, s'ils sont soumis à des températures basses pendant des



périodes prolongées, de mettre plus de temps à s'allumer que dans des conditions normales. La visibilité des chiffres peut également s'en trouver légèrement affectée. L'affichage à cristaux liquides redevient normal lorsque la température se normalise.

### ⑲ FENTE D'INSERTION DU DISQUE COMPACT

Tenez le disque compact étiquette vers le haut et introduisez-le doucement dans la fente jusqu'à ce que le mécanisme s'engage (l'indication **LOAD** s'affiche) et que la lecture commence. L'indication **IN** et le numéro de la plage s'affichent.

**REMARQUE :** Cet appareil est conçu pour la lecture des disques compacts standard de 12 cm UNIQUEMENT. Ne tentez pas d'utiliser des mini-disques de 8 cm sur cet appareil, que ce soit avec ou sans adaptateur, car cela pourrait endommager le lecteur et/ou le disque. De tels dommages ne seront pas couverts par la Garantie de l'appareil.

### ⑳ SÉLECTEUR DE MODE CD (MODE)

Lorsque vous écoutez l'autoradio et qu'un disque compact se trouve dans l'appareil (l'indication **IN** est affichée), appuyez sur cette touche pour revenir au mode CD et reprendre la lecture là où elle avait été interrompue.

Lorsque vous écoutez un disque compact, appuyer sur cette touche interrompt la lecture et passe en mode Radio sans éjecter le disque. La mention **IN** reste affichée pour indiquer que le disque compact se trouve toujours dans l'appareil. Appuyez de nouveau sur la touche pour reprendre la lecture là où elle avait été interrompue.

### ㉑ RECHERCHE DE PLAGE (▶▶ / ◀◀)

Ces touches permettent d'aller rapidement au début de la plage voulue. Appuyer brièvement sur la touche de défilement des plages vers l'avant ▶▶ sélectionne la plage suivante et son numéro s'affiche. De la même façon, appuyer brièvement sur la touche de défilement des plages vers l'arrière ◀◀ sélectionne la plage précédente.

### ㉒ FONCTIONS DE REPÉRAGE/RETOUR RAPIDE (▶▶ / ◀◀)

Il est possible d'effectuer une recherche audible haute vitesse de n'importe quelle portion du disque compact grâce aux fonctions de repérage/retour rapide. Appuyez sur la touche de repérage rapide ▶▶ et maintenez-la enfoncée pour défiler rapidement vers l'avant, ou sur la touche de retour rapide ◀◀ pour défiler rapidement vers l'arrière. Lorsque l'on utilise l'une ou l'autre de ces fonctions, la durée écoulée de chaque plage est affichée.

### ㉓ SÉLECTEUR DE PAUSE/LECTURE (6/II▶)

Appuyez sur cette touche pour interrompre momentanément la lecture d'un disque compact (l'indication **PAUS** clignote sur l'affichage). Appuyez de nouveau sur cette touche pour reprendre la lecture là où elle avait été interrompue. Le mode Pause sera également désactivé par l'activation d'une autre fonction disque.

### ㉔ SÉLECTEUR DE RÉPÉTITION (5/RPT)

Pendant la lecture d'un disque compact, appuyez sur cette touche pour répéter la lecture de la plage choisie (l'indication **RPT** s'affiche). La lecture de la plage sera répétée jusqu'à ce que l'on appuie de nouveau sur la touche ; l'indication **RPT** s'effacera. Le mode Répétition sera également désactivé par l'activation des fonctions de lecture aléatoire ㉕ ou de balayage des introductions des plages ㉖.

### ②⑤ SÉLECTEUR DE LECTURE ALÉATOIRE (4/SHF)

Pendant la lecture d'un disque compact, appuyez sur cette touche pour lire les plages du disque dans un ordre aléatoire (l'indication **SHF** s'affiche). En mode Lecture aléatoire, la touche de défilement des plages vers l'avant (+) sélectionne également des plages dans un ordre aléatoire au lieu de la progression normale. La touche de défilement des plages vers l'arrière (-) retourne uniquement au début de la plage en cours. On pourra désactiver le mode Lecture aléatoire en appuyant de nouveau sur la touche (l'indication **SHF** s'effacera) ou en activant les fonctions de répétition ②④ ou de balayage des introductions des plages ②⑥.

### ②⑥ BALAYAGE DES INTRODUCTIONS DES PLAGES (▲)

Pendant la lecture d'un disque compact, appuyez sur cette touche pour lire les 10 premières secondes de chaque plage du disque compact (l'indication **SCAN** s'affiche et le numéro de la plage clignote pendant le balayage des introductions des plages). Lorsque vous avez trouvé la plage souhaitée, appuyez de nouveau sur la touche de balayage pour désactiver la fonction (l'indication **SCAN** s'effacera) et la lecture de la plage sélectionnée se poursuivra. Le mode Balayage des introductions des plages pourra également être désactivé en activant les fonctions de répétition ②④ de lecture aléatoire ②⑤ de recherche de plage ②① ou de repérage/retour rapide ②②.

### ②⑦ ÉJECTION DU DISQUE COMPACT (▲)

En appuyant sur cette touche, la lecture du disque compact s'interrompt, le disque est éjecté (**EJ** s'affiche) et l'appareil passe en mode Radio. Si le disque compact n'est pas retiré de l'appareil dans un délai de 10 secondes après avoir été éjecté, il sera automatiquement réinséré dans l'appareil pour éviter qu'il ne s'abîme (**IN** s'affichera). Il est possible d'insérer ou d'éjecter un disque que l'on ait mis ou non le contact.

### ②⑧ BOUTON DE VERROUILLAGE DE LA FAÇADE (REL)

Ce bouton permet de déverrouiller le mécanisme retenant la façade

au châssis. Pour détacher la façade, appuyez sur le bouton de façon à libérer sa partie gauche. Saisissez la partie délogée et retirez-la du châssis. Pour remettre la façade, mettez tout d'abord en place la partie droite, puis appuyez sur la partie gauche jusqu'au déclic du mécanisme de verrouillage.

### REMARQUES SUR L'UTILISATION DE LA FAÇADE

1. Assurez-vous que la façade est bien à l'endroit lorsque vous la fixez au châssis car on ne peut pas la fixer lorsqu'elle est à l'envers.
2. N'appuyez pas trop fort sur la façade en la fixant au châssis. Une pression légère ou moyenne devrait suffire.
3. En installant la façade, assurez-vous que la partie droite est bien en place avant d'appuyer sur la partie gauche pour l'emboîter.
4. Lorsque vous emportez la façade avec vous, utilisez la housse de transport fournie pour ne pas l'abîmer et la protéger de la poussière. Assurez-vous qu'il n'y a pas de poussière ni de saletés sur les bornes situées au dos de la façade car cela pourrait provoquer un faux contact ou tout autre mauvais fonctionnement.

### ②⑨ BOUTON DE RÉINITIALISATION

Un bouton de réinitialisation est situé sur le devant du châssis (la façade doit avoir été retirée pour pouvoir y accéder). Les circuits de réinitialisation sont là pour protéger les circuits du microprocesseur et ne doivent être activés que dans les circonstances suivantes car ils effacent l'heure et les présélections.

1. Après l'installation initiale, une fois tous les câblages effectués.
2. Lorsque l'on a modifié la position du sélecteur de paliers de fréquence situé sur le fond du châssis.
3. Si un sélecteur quelconque de l'appareil fonctionne mal, appuyer sur le bouton de réinitialisation permet de remettre le système à zéro et de revenir à un fonctionnement normal.

---

## RÉGLAGE DE LA MONTRE

---

1. Allumez l'autoradio de façon à ce que la fréquence radio ou l'heure soit affichée.
2. Enfoncez la touche T/F 5 pendant 2 secondes environ jusqu'à ce que l'affichage de l'heure se mette à clignoter.
3. Appuyez sur la touche ◀◀ pour régler les heures et sur la touche ▶▶ pour régler les minutes.
4. Après avoir sélectionné le réglage des minutes ou celui des heures, appuyez sur la touche ▲ pour incrémenter la valeur ou sur la touche ▼ pour la décrémenter jusqu'à ce que vous parveniez à l'heure voulue.
5. Lorsque l'heure voulue s'inscrit sur le panneau d'affichage, appuyez de nouveau sur la touche T/F⑤ pour revenir à l'affichage normal.

---

## CODES D'ERREUR

---

En cas de problème lors de l'utilisation du lecteur de CD, les codes d'erreur suivants pourront s'inscrire sur le panneau d'affichage à cristaux liquides.

**E-01 :** indique une erreur de lecture des données du disque compact par l'appareil.

**E-02 :** indique une erreur de convergence du laser sur le disque compact. Peut être causée par des températures élevées, auquel cas la lecture reprendra lorsque la température se normalisera.

**E-03 :** indique une erreur de données et de convergence. Peut être causée par des températures élevées, auquel cas la lecture reprendra lorsque la température redeviendra normale.

**E-04 :** indique une erreur mécanique.

**E-05 :** indique un problème du mécanisme d'insertion ou d'éjection.

Si l'une des indications ci-dessus s'affiche, éjectez le disque, assurez-vous qu'il est propre, qu'il n'est pas abîmé et qu'il a été correctement inséré (étiquette vers le haut). Insérez de nouveau le disque compact et vérifiez qu'il fonctionne bien ou essayez-en un autre. Vous pouvez également tenter d'appuyer sur le bouton de réinitialisation ②9 situé sur le devant du châssis (retirez la façade), mais l'heure et les présélections seront effacées. Si ces suggestions ne parviennent pas à résoudre le problème, contactez un centre de garantie agréé pour obtenir une aide supplémentaire.

## ***CARACTÉRISTIQUES TECHNIQUES***

|                              |   |
|------------------------------|---|
| Dimensions :                 | 178 (L) x 50 (H) x 155 (P) mm   |
| Tension de fonctionnement :  | 12 volts c.c., masse négative   |
| Puissance de sortie :        | 160 watts maximum<br>(4 x 40 watts)   |
| Câblage de sortie :          | Type circuit commun isolé de la masse conçu pour 4 haut-parleurs. Les amplis de cet pareil NE sont PAS conçus pour une utilisation avec 2 haut-parleurs (Sorties RCA bas niveau canaux arrière) |
| Impédance de sortie :        | Compatible avec des haut-parleurs de 4 à 8 ohms   |
| Sortie bas niveau :          | 2,0 volts (2 000 mV)  |
| Gamme d'accord :             | AM : 530 - 1 710 kHz (pas de 10 kHz)<br>FM : 87,5 - 107,9 MHz (pas de 200 kHz)  |
| Sensibilité :                | AM : 20 $\mu$ v<br>FM : 1,5 $\mu$ v   |
| Séparation des canaux FM :   | 30 dB   |
| Réponse en fréquence du CD : | 20 - 20 000 Hz $\pm$ 1 dB   |
| Rapport signal bruit du CD : | 98 dB   |
| Séparation des voies du CD : | 60 dB   |
| Distorsion du CD :           | 0.2%  |

\*Les caractéristiques techniques sont sujettes à modifications sans préavis.

## PRÉCAUTIONS ET ENTRETIEN

La partie autoradio de votre nouvelle chaîne stéréo ne nécessite aucun entretien. Nous vous conseillons de conserver ce manuel pour vous reporter ultérieurement aux nombreuses fonctions de cet appareil ainsi qu'au réglage de la montre.

La partie lecteur de disque compact ne requiert pas non plus d'entretien régulier, mais bien comprendre son fonctionnement et sa manipulation vous permettra de profiter au maximum de ses capacités. Les points suivants devront être observés:


- En nettoyant l'intérieur du véhicule, n'aspergez pas l'appareil d'eau ou de liquides de nettoyage.
- Le lecteur de CD est un instrument de précision et il ne fonctionnera pas correctement par des températures extrêmes. Dans de telles conditions, attendez que l'habitacle revienne à une température normale avant d'utiliser le lecteur.
- Si le lecteur chauffe trop, un circuit de protection interrompt automatiquement la lecture du disque compact. Dans ce cas, laissez l'appareil refroidir avant de réutiliser le lecteur.
- N'introduisez jamais autre chose qu'un disque compact de 12 cm dans le lecteur car le mécanisme peut être endommagé par des corps étrangers.
- Ne tentez pas d'utiliser de mini-disques de 8 cm sur cet appareil, que ce soit avec ou sans adaptateur, car cela pourrait endommager le lecteur et/ou le disque compact. De tels dommages ne seront pas couverts par la Garantie de l'appareil.
- Lorsque le lecteur n'est pas en service, retirez toujours le disque compact. Ne laissez pas le disque éjecté dans la fente d'insertion car il pourrait être exposé à la lumière du soleil et à d'autres agents susceptibles de l'endommager.
- Ne tentez pas d'ouvrir le châssis de l'appareil. Il ne contient pas de pièces pouvant être réparées par l'utilisateur ni de réglages.
- Lorsque le véhicule se réchauffe par temps froid ou humide, l'humidité peut se condenser sur la lentille du lecteur de disque

compact. Si tel est le cas, le lecteur ne fonctionnera pas correctement avant que l'humidité se soit évaporée.

- L'appareil est doté d'un mécanisme d'absorption des vibrations du CD de façon à minimiser les interruptions de lecture dues aux vibrations normales d'un véhicule en mouvement. Sur des routes particulièrement cahoteuses, cependant, le son pourra parfois sauter. Cela ne rayera pas et n'abîmera pas le disque compact et la lecture normale reprendra dès que l'état de la route s'améliorera.

### MANIPULATION DES DISQUES COMPACTS

Un disque sale, poussiéreux, rayé ou gondolé peut provoquer des sautes de lecture et réduire la qualité sonore. Veuillez suivre les recommandations suivantes pour l'entretien de vos disques compacts :

- Utilisez uniquement des disques compacts portant la marque 
- Les traces de doigts, la poussière et la saleté devront être minutieusement essuyées de la surface de lecture du disque compact (face brillante) à l'aide d'un chiffon doux. Essuyez de l'intérieur vers l'extérieur du disque, selon un mouvement linéaire.
- N'utilisez jamais de produits chimiques, tels que des aérosols pour disques en vinyle, des produits d'entretien ménagers ou du diluant pour nettoyer vos disques compacts. De tels produits peuvent endommager de manière irréversible la surface du disque.
- Les disques compacts doivent être conservés dans leurs boîtiers lorsqu'ils ne sont pas utilisés.
- N'exposez pas les disques compacts aux rayons du soleil, à des températures élevées ou à une trop grande humidité pendant des périodes prolongées.
- Ne collez pas de papier, de ruban adhésif ou d'étiquettes sur les surfaces du disque compact et n'écrivez pas non plus dessus au marqueur.



## GARANTIE LIMITÉE DE 12/24 MOIS

*Applicable aux autoradios, autoradios/cassette, autoradios/lecteurs de CD, changeurs de CD, amplis de puissance, égaliseurs et accessoires.*

AUDIOVOX CORPORATION (ci-après, « la Société ») garantit au premier acheteur au détail de cet appareil, que si, dans des conditions normales d'utilisation, il est démontré que cet appareil, ou une quelconque de ses pièces, présente un ou des défauts de matériaux ou de fabrication dans un délai de 12 mois à compter de la date du premier achat, le ou lesdits défauts seront réparés, ou la ou les pièces défectueuses remplacées par des pièces neuves ou remises à neuf (à la discrétion de la Société) sans frais à acquitter pour les pièces ou la main d'œuvre.

Pour pouvoir bénéficier des réparations ou du remplacement dans la limite des conditions de la présente Garantie, l'appareil doit être livré accompagné d'une preuve d'achat (par ex. une facture datée), de la description du ou des défauts, en port payé, à un centre de Garantie agréé ou à la Société à l'adresse indiquée ci-dessous.

La période de garantie sera prolongée à 24 mois à compter de la date du premier achat si l'appareil est installé par un dépositaire agréé Prestige Audio. Pour pouvoir bénéficier de la garantie durant cette période supplémentaire, la facture devra préciser que l'installation a été effectuée par un dépositaire agréé Prestige Audio.

La présente Garantie ne s'étend pas à l'élimination des parasites ou du souffle générés par une source extérieure, ni à la correction de problèmes d'antenne, ni aux frais engagés pour l'installation, le retrait ou la réinstallation de l'appareil, ni à l'endommagement des cassettes, des disques compacts, des haut-parleurs, des accessoires ou des circuits électriques du véhicule.

La présente Garantie ne s'applique à aucun appareil ou pièce de ce dernier ayant été, selon la Société, endommagé suite à des modifications, à une mauvaise installation, à une mauvaise manipulation, à un emploi abusif, à une négligence, à un accident ou à un retrait ou une mutilation de la ou des étiquettes de l'usine où figure le numéro de série/code barre. L'ÉTENDUE DE LA RESPONSABILITÉ DE LA SOCIÉTÉ EN VERTU DE LA PRÉSENTE GARANTIE SE LIMITE À LA RÉPARATION OU AU REMPLACEMENT PRÉVUS CI-DESSUS ET N'EXCÉDERA EN AUCUN CAS LE MONTANT PAYÉ PAR L'ACHETEUR POUR L'APPAREIL.

La présente Garantie remplace toute autre garantie ou responsabilité expresse. TOUTE GARANTIE EXPRESSE OU TACITE, Y COMPRIS TOUTE GARANTIE TACITE DE QUALITÉ MARCHANDE, SERA LIMITÉE À LA DURÉE DE LA PRÉSENTE GARANTIE ÉCRITE. TOUTE ACTION EN JUSTICE POUR INOBSERVATION D'UNE QUELCONQUE GARANTIE EN VERTU DES PRÉSENTES, Y COMPRIS DE TOUTE GARANTIE TACITE DE QUALITÉ MARCHANDE, DEVRA ÊTRE INTENTÉE DANS UN DÉLAI DE 30 MOIS À COMPTER DE LA DATE DU PREMIER ACHAT. EN AUCUN CAS LA SOCIÉTÉ NE SERA RESPONSABLE DE QUELQUE DOMMAGE CONSÉCUTIF OU INDIRECT QUE CE SOIT, DÙ À L'INOBSERVATION DE LA PRÉSENTE GARANTIE OU DE TOUTE AUTRE GARANTIE, EXPRESSE OU TACITE, QUELLE QU'ELLE SOIT. Personne ni aucun représentant n'est autorisé à assumer au nom de la Société une quelconque responsabilité autre que celle formulée aux présentes en rapport avec la vente de cet appareil.

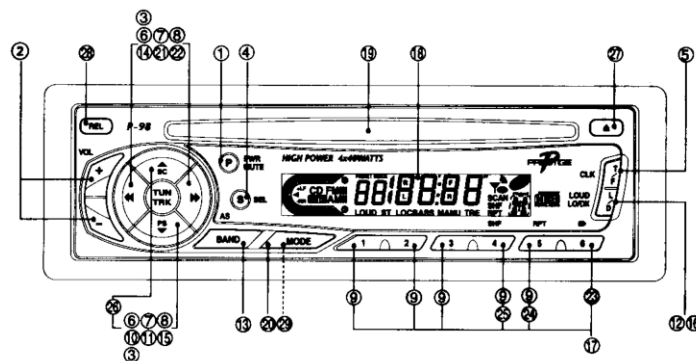
Certains États n'autorisent pas les limitations de durée sur les garanties tacites, ni l'exclusion des dommages indirects ou consécutifs ou les restrictions les concernant, les restrictions ou exclusions ci-dessus ne s'appliquent donc peut-être pas à votre cas. La présente Garantie vous donne certains droits légaux spécifiques ; il est également possible que vous ayez d'autres droits qui peuvent varier selon les États.

**ÉTATS-UNIS :** AUDIOVOX CORPORATION, 150 MARCUS BLVD, HAUPPAUGE, NEW YORK 11788 • 1-800-645-4994

**CANADA :** APPELEZ LE 1-800-645-4994 POUR OBTENIR L'ADRESSE D'UN CENTRE DE GARANTIE DESSERVANT VOTRE RÉGION.

128-5543

# INSTRUCCIONES DE OPERACIÓN



## ① BOTÓN DE ENCENDIDO/APAGADO/SILENTE

Pulse este botón rápidamente para encender la unidad. La unidad también se encenderá automáticamente al insertarse un disco compacto si la ignición está encendida. Pulse y mantenga pulsado el botón **PWR** durante 2 segundos para apagar la unidad.

Este botón también se usa para silenciar el nivel del volumen cuando la unidad se enciende. La indicación **MUTE** parpadeará en la pantalla y el audio se silenciará al nivel prefijado.

**NOTA:** Véase la sección sobre "Nivel de Silente"

## ② CONTROL DE VOLUMEN

Para aumentar el nivel del volumen, pulse el lado + del botón. El volumen aumentará y el nivel se indicará en la pantalla, desde un mínimo de 0 hasta un máximo de 80. Para aumentar rápidamente

el volumen, mantenga el botón pulsado. Para disminuir el nivel del volumen, pulse el lado - del botón. Mantenga el botón pulsado para disminuir el volumen rápidamente. La pantalla regresará automáticamente a la indicación normal 5 segundos después del último ajuste de volumen o cuando se activa otra función. Estos botones también se usan para ajustar el nivel de silente.

## ③ CONTROL DE SINTONIZACIÓN/NIVEL (◀/▶)(▲/▼)

Use los botones ◀ / ▶ para la sintonización de selección de una pista de tocadiscos CD y para el nivel de ajuste de los bajos, altos y equilibrio. Use los botones ▲ / ▼ para la sintonización por exploración, sintonización por exploración prefijada, reproducción por exploración en el modo CD y para el ajuste de nivel de los bajos, altos y atenuación.

#### ④ BOTON SELECTOR (SEL)

**SELECCIONAR FUNCIÓN:** Este botón se usa para seleccionar la función de audio (bajos, altos, equilibrio y atenuación) a ajustarse, usando el Control de Nivel ③, así como el nivel de silente y la sensibilidad del medidor de nivel.

#### ⑤ BOTÓN DE PANTALLA (T/F)

##### ENCENDIDO DE RELOJ CON LA IGNICIÓN APAGADA

Durante la operación del radio, pulse momentáneamente el botón para cambiar la pantalla de la frecuencia a la hora en el reloj. Púlselo de nuevo y la pantalla del radio regresará a la frecuencia.

Durante la operación del tocadiscos CD, pulse momentáneamente el botón para cambiar la pantalla del tiempo de pista transcurrido a la hora en el reloj.

**ENCENDIDO DEL RELOJ CON LA IGNICIÓN APAGADA:** Para averiguar la hora con la ignición del vehículo apagada, pulse momentáneamente el botón T/F. La pantalla se iluminará y mostrará la hora y luego se apagará automáticamente después de 5 segundos.

#### ⑥ CONTROL DE BAJOS

Para ajustar el nivel de bajos, primero seleccione el modo de Bajos, pulsando el Botón Selector ④ para que parpadee el número de nivel arriba de la indicación **BASS**. Dentro de los 5 segundos después de seleccionar el modo de Bajos, pulse los botones ►► / ▲ o ◀◀ / ▼ del Control de nivel ③ para ajustar la respuesta de los bajos según se desee. El nivel de bajos aparecerá en la pantalla desde un mínimo de -7 hasta un máximo de 7 (0 es una respuesta plana). La pantalla regresará automáticamente a la indicación normal 5 segundos después del último ajuste o cuando se activa otra función.

#### ⑦ CONTROL DE ALTOS

Para ajustar el nivel de altos, primero seleccione el modo de Altos, pulsando el Botón Selector ④ para que parpadee el número de nivel arriba de la indicación **TRE**. Dentro de los 5 segundos después de seleccionar el modo de Altos, pulse los botones ►► / ▲ o ◀◀ / ▼ del Control de nivel ③ para ajustar la respuesta de los altos según se desee. El nivel de altos aparecerá en la pantalla desde un mínimo de -7 hasta un máximo de 7 (0 es una respuesta plana). La pantalla regresará automáticamente a la indicación normal 5 segundos después del último ajuste o cuando se activa otra función.

#### ⑧ EQUILIBRIO IZQUIERDO/DERECHO Y CONTROL DE ATENUACIÓN DELANTERA/TRASERA

Para ajustar el equilibrio de los altavoces izquierdo-derecho y la atenuación delantera/trasera, primero seleccione el modo de Equilibrio/Atenuación, pulsando el Botón selector ④ para que aparezca la indicación **L R 0** en la pantalla. Dentro de 5 segundos después de seleccionar el modo de Equilibrio/Atenuación, pulse el botón ◀◀ del Control de nivel ③ para ajustar el equilibrio estereofónico a los altavoces del canal izquierdo o el botón ►► para ajustarlo a los altavoces del canal derecho. Cuando el nivel de volumen entre los canales derecho e izquierdo es igual, aparecerá **L R 0** en la pantalla. El ajuste de equilibrio hacia la derecha aumentará el número en el lado derecho de la pantalla a un máximo de **R9** (totalmente a la derecha). El ajuste de equilibrio hacia la izquierda aumentará el número en el lado izquierdo de la pantalla hasta un máximo de **L9** (totalmente a la izquierda). La pantalla regresará automáticamente a la indicación

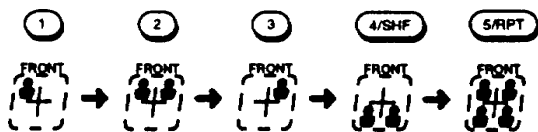


normal 5 segundos después del último ajuste de equilibrio o cuando se activa otra función.

Pulse los botones ▲ o ▼ del Control de nivel ③ para ajustar los niveles de los altavoces delanteros/traseros según se desea. Cuando el nivel de los altavoces delanteros/traseros es igual, la pantalla mostrará **L0**. El ajuste de atenuación hacia los altavoces delanteros aumentará el número en el lado izquierdo de la pantalla hasta un máximo de **F9** (totalmente hacia delante). El ajuste de atenuación hacia los altavoces traseros aumentará el número en el lado derecho de la pantalla hasta un máximo de **R9** (totalmente hacia atrás). La pantalla regresará automáticamente a la indicación normal 5 segundos después del último ajuste de atenuación o cuando se activa otra función.

### ⑨ AJUSTES DE SONORIDAD PREFIJADOS

Las características de sonoridad permiten que el usuario ajuste rápidamente los controles de equilibrio y atenuación para óptima reproducción en cada una de las distintas posiciones de asientos en el vehículo. Para seleccionar uno de los ajustes de sonoridad prefijados, entre en el modo de equilibrio/atenuación, pulsando el botón selector ④ hasta que aparezca la indicación **L0 R0** en la pantalla. Dentro de 5 segundos después de seleccionar el modo, pulse uno de los siguientes botones preajustados según se indica abajo para optimizar la reproducción para la posición de cinco asientos.



Los ajustes de sonoridad prefijados vienen ajustados de fábrica para las siguientes condiciones:

|       |   |                                     |         |
|-------|---|-------------------------------------|---------|
| ①     | : | Para el asiento delantero izquierdo | (R2 R4) |
| ②     | : | Para el asiento delantero completo  | ( 0 R4) |
| ③     | : | Para el asiento delantero derecho   | (L2 R4) |
| 4/SHF | : | Para el asiento trasero completo    | ( 0 F4) |
| 5/RPT | : | Para el vehículo entero             | ( 0 0)  |

Si así se desea, podrá cambiar los ajustes de sonorización de fábrica para cada una de las cinco posiciones de asientos, ajustando los niveles de equilibrio y atenuación y luego pulsando el botón de preajuste apropiado durante más de 2 segundos. El indicador de equilibrio atenuación parpadeará una vez que se haya registrado el ajuste nuevo.

### ⑩ NIVEL DE SILENTE

Para ajustar el nivel de silente, primero seleccione el modo silente, pulsando el botón selector ④ para que aparezca la indicación MUTE en la pantalla. Dentro de 5 segundos después de seleccionar el modo de nivel de silente, pulse el botón del control de nivel para aumentar o disminuirlo. El nivel de silente puede disminuirse a -80 (silencio) y aumentarse a -0 (sin efecto); el ajuste prefijado es de -20.

### ⑪ SENSIBILIDAD DE MEDIDOR DE NIVEL

Para seleccionar la sensibilidad del medidor de nivel, primero seleccione el modo de medidor de nivel, pulsando el botón selector ④ para que aparezca la indicación LE en la pantalla. Use el botón ▲ para seleccionar el ajuste de sensibilidad Hi (alta) y el botón ▼ para seleccionar el ajuste de sensibilidad Lo (baja) para la pantalla de medidor de nivel. Esta característica permite que el usuario seleccione la escala del medidor de nivel.

### ⑫ **CONTORNO DE INTENSIDAD (L/D)**

Pulse este botón durante más de 2 segundos para activar el Contorno de Intensidad, según se muestra con la indicación **LOUD** en la pantalla. Cuando se escucha música con niveles de volumen bajos, esta característica reforzará las gamas de bajos y altos para compensar las características de la audición humana. Pulse este botón de nuevo durante más de 2 segundos para desactivar esta característica, y la indicación **LOUD** desaparecerá de la pantalla.

**NOTA:** Cada vez que se pulsa este botón momentáneamente, la sensibilidad del radio en los modos de Sintonización por Búsqueda y por Exploración cambiará de local a distante y viceversa, según se describe en la sección ⑩.

### ⑬ **SELECTOR DE BANDA AM/FM (BANDA) SINTONIZACIÓN CON AUTORREGISTRO (AS)**

Durante la operación del radio, cada vez que se pulse momentáneamente este botón, se cambiará la banda del radio. La indicación **AMI**, **AMII**, **FMI**, **FMII** o **FMIII** aparecerá en la pantalla, de acuerdo con su selección. Pulse y mantenga pulsado el botón durante más de 4 segundos para activar la función de Sintonización con Autorregistro, que explorará automáticamente las bandas AM o FM y entrará las estaciones potentes en las posiciones de memoria prefijadas para dicha banda. Si ya ha asignado las memorias de presintonización en las bandas AM o FM a sus estaciones preferidas, la activación de la característica de Autorregistro borrará dichas estaciones y entrará otras nuevas. Esta característica resulta más útil cuando se viaja a una zona nueva donde no conoce las estaciones locales.

### ⑭ **SINTONIZACIÓN MANUAL ASCENDENTE DESCENDENTE (▶▶ / ◀◀)**

#### **SINTONIZACIÓN POR BÚSQUEDA AUTOMÁTICA**

Cada vez que se de un golpecito en el lado ▶▶ del botón, el radio se sintonizará un paso de frecuencia más alto. De modo similar, cada vez que se de un golpecito en el lado ◀◀ del botón, se sintonizará un paso de frecuencia más bajo. Para sintonizar una estación manualmente, golpee suavemente el botón del sentido apropiado hasta que se llegue a la frecuencia deseada.

Pulse cualquier lado del botón durante más de 0,5 segundos y luego suéltelo para activar la función de Sintonización por Búsqueda Automática. El radio buscará la siguiente estación disponible y se detendrá en esa frecuencia. La función de Búsqueda podrá detenerse pulsando de nuevo el botón o activando otra función de sintonización.

Pulse y mantenga pulsado cualquier lado del botón durante más de 0,5 segundos para que el radio continúe sintonizándose rápidamente en la dirección seleccionada hasta que se suelte el botón, en cuyo momento, buscará la siguiente estación disponible.

### ⑮ **SINTONIZACIÓN POR EXPLORACIÓN AUTOMÁTICA (▲ / SC) SINTONIZACIÓN POR EXPLORACIÓN DE ESTACIONES PRESINTONIZADAS (▼ / PS)**

Durante la operación del radio, pulse este botón para explorar las estaciones en la banda en uso, parando en cada una durante 8 segundos antes de continuar hasta la siguiente estación (la frecuencia en la pantalla parpadeará durante la operación en el modo de Exploración). Cuando se llegue a una estación

deseada, pulse el botón de nuevo para detener la función de Exploración y permanecer en la frecuencia seleccionada. El modo de Exploración también se cancelará al activar cualquier otra función de sintonización.

Pulse y mantenga pulsado el botón durante 2 segundos para activar la función de Sintonización por Exploración Prefijada, que explorará las 6 estaciones presintonizadas en las memorias de la banda AM o las 12 estaciones presintonizadas en las bandas FMI y FMII. La unidad se detendrá en cada estación presintonizada durante 8 segundos antes de continuar a la siguiente estación presintonizada (el número prefijado en la pantalla parpadeará durante la operación de Exploración Prefijada). Pulse el botón de nuevo momentáneamente para detener la operación de Exploración Prefijada y permanecer en la frecuencia seleccionada.

#### ⑩ SELECTOR DE LOCAL/DISTANTE (L/D)

Esta característica se usa para seleccionar la potencia de las señales en las cuales el radio se detendrá durante la Sintonización Automática por Búsqueda y por Exploración. Pulse este botón momentáneamente para seleccionar el ajuste Local (en la pantalla aparecerá **LOC**) y sólo se recibirán las estaciones potentes (locales). Pulse de nuevo el botón momentáneamente para seleccionar el ajuste Distante (**LOC** desaparecerá de la pantalla) y el radio se detendrá en una gama de señales mas extensa, incluso las estaciones más débiles (más distantes).

**NOTA:** Si se pulsa este botón durante más de 2 segundos, se activará o desactivará la característica de Contorno de Intensidad descrita en la Sección ⑫.

#### ⑰ MEMORIAS CON ESTACIONES PRESINTONIZADAS

Use el siguiente procedimiento para ajustar cualquiera de las 6 memorias prefijadas en cada banda:

1. Encienda el radio y seleccione la banda deseada.
2. Seleccione la primera estación a presintonizarse, usando los Controles Manuales de Sintonización Ascendente/ Descendente o por Búsqueda Automática ⑭.
3. Pulse el botón de presintonización a sintonizarse y manténgalo pulsado. Después de aproximadamente 2 segundos, la pantalla parpadeará y el volumen se silenciará momentáneamente, lo que indica que la estación ya está asignada a esa posición de memoria presintonizada. Ahora podrá recuperar la estación en cualquier momento, pulsando ese botón.
4. Repita el procedimiento arriba descrito para las 5 posiciones de memoria presintonizadas en esa banda y para las otras 2 bandas de la unidad.

#### ⑱ PANTALLA DE CRISTAL LÍQUIDO

La Pantalla de Cristal Líquido (LCD) muestra la frecuencia, la hora y las funciones activadas.

**NOTA:** Una de las características de las pantallas LCD es que, cuando están expuestas a temperaturas frías durante un período prolongado, podrán demorarse más para iluminarse que bajo condiciones normales. Asimismo, es posible que se disminuya ligeramente la visibilidad de los números en la pantalla LCD. La lectura en la pantalla LCD regresará al nivel normal cuando la temperatura aumenta a una gama normal.

### ⑲ RANURA DE DISCO

Con la superficie de la etiqueta hacia arriba, inserte suavemente el disco en la ranura hasta que el mecanismo de carga suave se enganche (en la pantalla aparecerá **LOAD**) y comenzará la reproducción. En la pantalla aparecerá la indicación **IN** y el número de pista.

**NOTA:** Esta unidad está diseñada para el uso de Discos Compactos estándar de 5" (12 cm) SOLAMENTE. No trate de usar los CD-Sencillos de 3" (8 cm) en esta unidad, ya sea con o sin adaptador, ya que podrán ocurrir daños al tocadiscos y/o al disco. Estos daños no estarán cubiertos por la Garantía de este producto.

### ⑳ SELECTOR DE MODO CD (MODO)

Cuando se escucha el radio con un disco cargado en la unidad (**IN** en la pantalla), pulse este botón para regresar al modo de reproducción de disco desde el punto en que se detuvo la reproducción.

Durante la reproducción del disco, pulse este botón para detener la reproducción del disco y regresar a la operación del radio sin expulsar el disco. Durante este período, la indicación permanecerá en la pantalla para indicar que hay un disco todavía cargado en la unidad. Pulse el botón de nuevo para regresar a la reproducción del disco desde el punto en que se detuvo.

### ㉑ SELECCIÓN DE PISTA (▶▶/◀◀)

Estos botones se usan para seleccionar rápidamente el comienzo de una pista específica. Con cada golpecito momentáneo en el botón Selector de Avance de Pista ▶▶, se

seleccionará el siguiente número de pista más alto según se muestra en la pantalla. De modo similar, con cada golpecito momentáneo del botón Selector de Retroceso de Pista ◀◀, se seleccionará el siguiente número de pista más bajo.

### ㉒ FUNCIONES DE SEÑALIZACIÓN/REVISIÓN (▶▶/◀◀)

Con las funciones de Señalización y Revisión podrá efectuarse una búsqueda audible de alta velocidad de cualquier sección del disco. Pulse y mantenga pulsado el botón de Señalización ▶▶ para avanzar rápidamente hacia delante o el botón de Revisión ◀◀ para retroceder rápidamente hacia atrás. Durante cualquiera de las funciones, el tiempo transcurrido dentro de cada pista se indicará automáticamente en la pantalla.

### ㉓ SELECTOR DE PAUSA/REPRODUCCIÓN (6/II▶)

Durante la reproducción de un disco, pulse este botón para detener temporalmente la reproducción del disco (la indicación **PAUS** parpadeará en la pantalla). Pulse el botón de nuevo para reanudar la reproducción del disco desde el punto en que se detuvo. El modo de Pausa también se cancelará al activar cualquier otra función de disco.

### ㉔ SELECTOR DE REPRODUCCIÓN REPETIDA

Durante la reproducción de un disco, pulse este botón para repetir la reproducción de la pista seleccionada (en la pantalla parecerá **RPT**). La reproducción de la pista continuará repitiéndose hasta que el botón se pulse de nuevo y la indicación **RPT** desaparezca de la pantalla. El Modo de reproducción repetida también se cancelará al activar las funciones de Reproducción Aleatoria ㉕ o Exploración de pista ㉖.

### ②⑤ **SELECTOR DE REPRODUCCIÓN ALEATORIA (4/SHF)**

Durante la reproducción de un disco, pulse este botón para que se toquen las pistas en el disco por orden aleatorio (SHF aparecerá en la pantalla). En el modo de reproducción aleatoria, el Botón Selector de Avance de Pista (+) también seleccionará pistas por orden aleatorio en vez de la progresión normal. El botón Selector de Retroceso de Pista (-) sólo regresará al comienzo de la pista que se reproduce. El modo de Reproducción Aleatoria podrá cancelarse pulsando el botón de nuevo (la indicación SHF desaparecerá de la pantalla) o al activar las funciones de Reproducción Repetida ②④ o Exploración de Pistas ②⑥.

### ②⑥ **EXPLORACIÓN DE PISTA (▲)**

Durante la reproducción del disco, pulse este botón para tocar los primeros 10 segundos de cada pista en el disco (aparecerá SCAN y el número de pista parpadeará en la pantalla durante la operación de Exploración de Pista). Cuando se llegue a una pista deseada, pulse de nuevo el botón de Exploración para cancelar la función (SCAN desaparecerá y el número de pista dejará de parpadear), y continuará la reproducción de la pista seleccionada. El modo de Exploración de Pista también se cancelará al activarse las funciones de Reproducción Repetida cp, Durante la reproducción del disco, pulse este botón para tocar los primeros 10 segundos de cada pista en el disco (aparecerá SCAN y el número de pista parpadeará en la pantalla durante la operación de Exploración de Pista). Cuando se llegue a una pista deseada, pulse de nuevo el botón de Exploración para cancelar la función (SCAN desaparecerá y el número de pista dejará de parpadear), y continuará la reproducción de la pista seleccionada. El modo de Exploración de Pista también

se cancelará al activarse las funciones de Reproducción Repetida ②④, Reproducción Aleatoria ②⑤ Selección de pista ②① o Señalización/Revisión ②.

### ②⑦ **EXPULSIÓN DE DISCO (▲)**

Al pulsar este botón, la reproducción del disco se detiene, el disco se expulsa (EJ en la pantalla) y la unidad cambiará a la operación de radio. Si el disco no se saca de la unidad dentro de los 10 segundos después de ser expulsado, se recargará automáticamente en la unidad para evitar daño (IN se aparecerá en la pantalla). Pulse de nuevo el botón de Expulsión antes de quitar el disco para recargar el disco en la unidad. El disco podrá cargarse o expulsarse con la ignición del auto encendida o apagada.

### ②⑧ **BOTÓN DE DESENGANCHE DE PANEL DELANTERO**

Este botón se usa para desenganchar el mecanismo que mantiene el panel delantero fijado a la caja. Para desmontar el panel delantero, pulse el botón para que se desenganche el lado izquierdo del panel. Agarre el lado desenganchado y hágalo hacia fuera para separarlo de la caja. Para montar el panel de nuevo, primero sitúe el lado derecho del panel en posición y luego presione el lado izquierdo del panel hasta que el mecanismo lo enganche en posición.

### **NOTAS SOBRE EL USO DEL PANEL DELANTERO**

1. Cerciórese de que el panel delantero esté correctamente orientado con la parte superior hacia arriba al montarlo a la caja, ya que no podrá engancharse cuando está invertido.

2. No presione muy duro sobre el panel delantero para montarlo a la caja. No debe necesitarse más de una presión ligera a moderada.
3. Al montar el panel, cerciórese de que se enganche correctamente el lado derecho antes de presionar sobre el lado izquierdo para engancharlo en posición.
4. Cuando se lleva el panel delantero con usted, por favor use el estuche suministrado para protegerlo contra suciedad y daños. Cerciórese de que no haya polvo o suciedad en los terminales eléctricos en la parte trasera del panel, ya que esto podría ocasionar operación intermitente u otros malfuncionamientos.

#### **29 BOTÓN DE REAJUSTE**

Hay un botón de reajuste situado en la parte delantera de la caja

(hay que quitar el panel delantero para obtener acceso al botón). Los circuitos de reajuste se proporcionan para proteger los circuitos del microprocesador y sólo deben activarse bajo las siguientes circunstancias, ya que borrarán la hora y las memorias de estaciones presintonizadas.

1. A la instalación inicial, después de completarse todo el alambrado.
2. Después de haberse cambiado la posición del conmutador de frecuencia de avances escalonados en el fondo de la caja.
3. Si ocurre un malfuncionamiento de cualquiera de los conmutadores de la unidad, pulse el botón de Reajuste para tratar de despejar el sistema y devolverlo a la operación normal.

---

## **CÓMO AJUSTAR EL RELOJ**

---

1. Encienda el radio para que aparezca la radiofrecuencia u hora del reloj en la pantalla.
2. Pulse y mantenga pulsado en botón T/F 5 durante aproximadamente 2 segundos hasta que la hora comience a parpadear.
3. Pulse el botón ◀◀ para seleccionar el ajuste de horas y el botón ▶▶ para seleccionar el ajuste de minutos.
4. Después de seleccionar el ajuste de horas o minutos, pulse el botón ▲ para aumentar o el botón ▼ para disminuir la hora correcta.
5. Cuando la hora correcta aparezca en la pantalla, pulse el botón T/F ⑤ de nuevo para regresar a la pantalla normal.

---

## **CÓDIGOS DE ERROR**

---

Si ocurre un problema durante la operación del tocadiscos CD, los siguientes códigos de error podrán aparecer en la pantalla:

**E-01:** Indica un error en la lectura de los datos en el disco por la unidad.

**E-02:** Indica un error en el enfoque láserico en el disco. Podrá ser ocasionado por condiciones de alta temperatura, en cuyo caso la reproducción se reanudará cuando la temperatura regrese a la gama normal.

**E-03:** Indica un error de datos o de enfoque. Podrá ser ocasionado por una condición de alta temperatura, en cuyo caso la reproducción se reanudará cuando la temperatura regrese a la gama normal.

**E-04:** Indica un error mecánico.

**E-05:** Indica un problema con el mecanismo de carga o de expulsión.

En caso de cualquiera de las indicaciones arriba descritas, expulse el disco, cerciórese de que esté limpio, sin dañar y que se había cargado correctamente (lado de la etiqueta hacia arriba). Cargue el disco de nuevo y compruebe la operación correcta o pruebe otro disco. También podrá pulse el botón de Reajuste ⑨ en la parte delantera de la caja (quite el panel delantero), pero esto también borrará el ajuste de hora y memorias prefijadas. Si estas sugerencias no resuelven el problema, comuníquese con una estación de servicio de garantía aprobado para ayuda.

## **ESPECIFICACIONES**

|                              |  |
|------------------------------|--|
| Tamaño:                      | 7" An x 2" Al x 6 1/8" Fondo<br>(182 x 53 x 155 mm)  |
| Voltaje de operación:        | 12 voltios CD, tierra negativa   |
| Potencia de salida:          | 160 vatios máximo<br>(40 vatios x 4)   |
| Cableado de salida:          | Tipo de puesta a tierra flotante diseñado para uso con 4 altavoces.<br>Los amplificadores de esta unidad NO están diseñados para uso con altavoces.<br>Salidas de nivel bajo RCA (canales traseros). |
| Impedancia de salida:        | Compatible con 4 altavoces de 8 ohmios.  |
| Salida de bajo nivel:        | 2,0 voltios (2.000 mv.)  |
| Gama de sintonización:       | AM: 530-1.710 KHz (intervalos de 10 KHz)<br>FM: 87,5-107,9 MHz (intervalos de 200 KHz)   |
| Sensibilidad:                | AM: 20 ìv.<br>FM: 1,5 ìv.  |
| Separación estereofónica FM: | 30 dB  |
| Respuesta de frecuencia CD:  | 20-20.000 Hz m 1 dB  |
| Relación señal/ruido CD:     | 98 dB  |
| Separación de canales CD:    | 60 dB  |
| Distorsión CD:               | 0,2%   |

\*Especificaciones sujetas a cambio sin previo aviso.



## ***CUIDADO Y MANTENIMIENTO***

La sección de radio de su nuevo sistema estereofónico no requiere mantenimiento. Le recomendamos que guarde este manual para referencia sobre las múltiples características de esta unidad, y también para información sobre el ajuste del reloj.


La sección de tocadiscos de discos compactos tampoco requiere mantenimiento de rutina pero una comprensión a fondo de su uso y manejo le ayudará a aprovechar al máximo sus capacidades. Deberán observarse los siguientes puntos.

- Cuando limpia el interior del vehículo, no deje que agua o líquidos de limpieza penetren en la unidad.
- El tocadiscos de discos compactos es un instrumento de precisión y no funcionará debidamente a temperaturas sumamente frías o calientes. En caso de estas condiciones, espere que la temperatura interior del vehículo alcance una temperatura normal antes de usar el tocadiscos.
- Si la temperatura en el interior del tocadiscos sube demasiado, un circuito protector detendrá automáticamente la reproducción del disco. En este caso, deje que la unidad se enfríe antes de operar el tocadiscos de nuevo.
- Sólo inserte un disco compacto de 5" (12 cm) dentro del tocadiscos, ya que el mecanismo podrá dañarse si se introducen objetos extraños.
- No trate de usar discos CD-Sencillos de 3" (8 cm) en esta unidad, con o sin un adaptador, ya que podrán ocurrir daños al tocadiscos y/o el disco. Estos daños no estarán cubiertos por la Garantía sobre este producto.
- Cuando no usa el tocadiscos, saque siempre el disco compacto. No deje un disco expulsado dentro de la ranura de disco, ya que podrá quedar expuesto a la luz solar y otras causas de daños.
- No trate de abrir la caja de la unidad. No contiene piezas susceptibles a servicio por el usuario.

- Cuando el vehículo se calienta durante el tiempo frío o bajo condiciones húmedas, es posible que la humedad pueda condensarse en el lente del tocadiscos. Si esto ocurre, el tocadiscos no funcionará correctamente hasta que la humedad se haya evaporado.
- La unidad está diseñada con un mecanismo CD amortiguador de vibraciones para minimizar la interrupción de la reproducción del disco debido a la vibración normal de un vehículo en movimiento. No obstante, cuando maneja sobre carreteras llenas de baches, pueden ocurrir saltos ocasionales de sonido. Esto no rayará ni dañará el disco y la reproducción normal se reanudará cuando las condiciones mejoren.

### **MANEJO DE LOS DISCOS COMPACTOS**

La suciedad, polvo, rasguños y pandeo pueden ocasionar saltos en la reproducción y un deterioro de la calidad sonora. Por favor, observe las siguientes pautas para cuidar sus discos compactos.

- Sólo use discos compactos que lleven la marca . The logo consists of the word "COMPACT" in a small font above the word "DISC" in a large, stylized font, with "DIGITAL AUDIO" in a smaller font below "DISC".
- Usando un paño suave, quite cuidadosamente las huellas digitales, el polvo y la suciedad de la superficie de reproducción (lado brillante) del disco. Pase el paño en un movimiento recto desde adentro hacia afuera del disco.
- Nunca use agentes químicos por ejemplo, rocíos de discos, detergentes domésticos o disolventes para limpiar los discos compactos. Estos agentes químicos podrán ocasionar daños irreparables a la superficie del disco.
- Los discos deben guardarse en sus estuches de almacenamiento cuando no están en uso.
- No exponga los discos a la luz solar directa, temperaturas altas o elevados niveles de humedad durante periodos prolongados.
- No pegue papel, cinta o etiquetas a las superficies del disco ni escriba sobre las superficies con ningún tipo de marcador.



## GARANTÍA LIMITADA DE 12/24 MESES

*Se aplica a radios radio/tocacasetes, radio/tocadiscos de discos compactos CD, cambiadores de discos compactos CD, amplificadores de potencia, compensadores y accesorios de automóvil.*

AUDIOVOX CORPORATION (la Empresa) garantiza al comprador minorista original de este producto que, en caso de que se comprobare que este producto o cualquier parte del mismo, bajo condiciones y uso normales, tuviere un defecto de materiales o hechura dentro de los 12 meses después de la fecha de compra original, dicho defecto o defectos serán reparados o reemplazados con un producto nuevo o reacondicionado (a opción de la Empresa) sin cargo por piezas y mano de obra de reparación.

Para obtener la reparación o el reemplazo dentro de los términos de la presente Garantía, el producto debe ser entregado con constancia de cobertura de garantía (p. ej., recibo de compraventa fechado), una especificación del defecto o defectos, con transporte prepago, a una estación de garantía aprobada o a la Empresa a la dirección indicada abajo.

El período de garantía se prorrogará hasta 24 meses a partir de la fecha de compra original si el producto es instalado por un distribuidor autorizado Prestige Audio. Para obtener el servicio de garantía durante este período prorrogado, el recibo de compraventa debe especificar que el producto fue instalado por un distribuidor autorizado Prestige Audio.

Esta Garantía no cubre la eliminación de ruido o estática externamente generado, ni la corrección de problemas de antena, costos incurridos para la instalación, remoción o reinstalación del producto, ni a daños a cassetes, discos compactos, altavoces, accesorios o sistemas eléctricos del vehículo.

Esta Garantía no se aplica a ningún producto o parte del mismo que, en opinión de la Empresa, hubiere sido objeto de, o hubiere sufrido daño debido a alteración, instalación indebida, maltrato, mal uso, negligencia, accidente o debido a la remoción o alteración de la etiqueta o etiquetas de fábrica con el número de serie/código de barras. LA RESPONSABILIDAD DE LA EMPRESA BAJO LA PRESENTE GARANTÍA QUEDA LIMITADA A LA REPARACIÓN O EL REEMPLAZO ESTIPULADO ARRIBA Y LA RESPONSABILIDAD DE LA EMPRESA BAJO NINGUNA CIRCUNSTANCIA PODRÁ EXCEDER EL PRECIO DE COMPRA PAGADO POR EL COMPRADOR POR EL PRODUCTO.

Esta garantía sustituye toda garantía o responsabilidad expresa adicional. CUALESQUIER GARANTÍAS IMPLÍCITAS, INCLUSO CUALQUIER GARANTÍA IMPLÍCITA DE COMERCIABILIDAD, QUEDARÁ LIMITADA A LA DURACIÓN DE LA PRESENTE GARANTÍA. CUALQUIER OTRA ACCIÓN DEBIDO A VIOLACIÓN DE CUALQUIER GARANTÍA BAJO EL PRESENTE, INCLUSO CUALQUIER GARANTÍA IMPLÍCITA DE COMERCIABILIDAD, DEBERÁ ENTABLARSE DENTRO DE UN PERÍODO DE 30 MESES A PARTIR DE LA FECHA DE COMPRA ORIGINAL. LA EMPRESA NO SERÁ RESPONSABLE BAJO NINGUNA CIRCUNSTANCIA POR NINGÚN DAÑO CONSECUENTE O INCIDENTAL DEBIDO A LA VIOLACIÓN DE ÉSTA O DE CUALQUIER OTRA GARANTÍA, YA SEA EXPRESA O IMPLÍCITA.

Ninguna persona o representante está autorizado a asumir, en nombre de la Empresa, ninguna responsabilidad con excepción de la expresada en la presente garantía en relación con la venta de este producto.

Algunos estados no permiten limitaciones sobre la duración de una garantía implícita o la exclusión o limitación de daños incidentales o consecuentes, así que es posible que las limitaciones arriba expresadas no se apliquen a usted. Esta Garantía le confiere derechos legales específicos, y es posible que también tenga otros derechos, que varían entre un estado y otro.

**EE.UU. :** AUDIOVOX CORPORATION, 150 MARCUS BLVD., HAUPPAUGE, NUEVA YORK 11788 • 1-800-645-4994  
**CANADÁ :** LLAME AL 1-800-645-4994 PARA AVERIGUAR EL LUGAR DE LA ESTACIÓN DE GARANTÍA DE SU ÁREA

---

---

©2000 Audiovox Corporation, Hauppauge, N.Y. 11788

Printed in Singapore

128-5691A

## Free Manuals Download Website

<http://myh66.com>

<http://usermanuals.us>

<http://www.somanuals.com>

<http://www.4manuals.cc>

<http://www.manual-lib.com>

<http://www.404manual.com>

<http://www.luxmanual.com>

<http://aubethermostatmanual.com>

Golf course search by state

<http://golfingnear.com>

Email search by domain

<http://emailbydomain.com>

Auto manuals search

<http://auto.somanuals.com>

TV manuals search

<http://tv.somanuals.com>