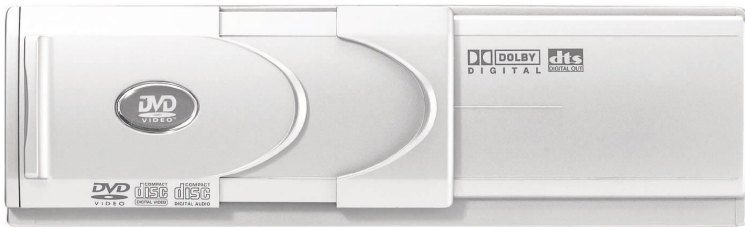




AUDIOVOX[®]
ELECTRONICS CORP.



ULTRA SLIM MULTIFUNCTION CAR 6 DISC DVD CHANGER

PAV6D
PAV6D

128-6908

INTRODUCTION

■ **Thank you for purchasing the DVD Changer**

The DVD Changer offers the following features:

- 6-disc DVD VIDEO/ VIDEO CD/ AUDIO CD/ CD-RW/MP3 capability.
- Dual video outputs (front and rear seats)
- FM MODULATOR (OPTIONAL)
- COMMAND CONTROLLER (OPTIONAL)
- Remote Control

We hope you will read this manual so you understand the diverse functions contained in this unit and use the DVD Changer to its full potential. Please keep this manual for future reference.

■ **The local number of this device is "1".**



■ **The TV signal output format is selectable and can be either "NTSC" or "PAL".**



■ **The symbols used for this manual (**DVD** , **VCD** , **CD**) have the following meanings;**

DVD Disc contains DVD Video

VCD Disc contains VIDEO CD

CD Disc contains AUDIO CD

CD-ROM Disc contains files created by a PC

TABLE OF CONTENTS

■ Before Use

Cautions when handling the discs	1~2
For safe and effective operation	2~3
Types of the discs available	4~5
Before using the device (power on)	5~7
Remote Control	7~8
Names and functions of each unit	9~13

■ Basic operations

Power off	13~14
Play & stop	14~15
Fast play	15~16
Movement to next/previous chapter or track	16~17

■ Other operations

Slow play	17~18
Voice Selection	18~19
Subtitle Selection	19~20
Selection of screen angles	20~21
Selection of disc	21~22
Selection of PBC function	22~23
Display of disc list	23~24
Change of screen display	25~27

■ Before use

Basic operation 1 for change of setup	28
Basic operation 2 for change of setup	29
TV screen change 1 (vertical/horizontal image ratio)	29~30
TV screen change 2 (vertical/horizontal image ratio)	30~31
Setup for the optical digital output	31~32
Other setups	33~37

■ How to use DVD CHANGER

Names and functions of each unit	38
How to use the magazine	39~40
Descriptions about DVD CHANGER operation	41~46

■ Trouble shooting (before returning DVD CHANGER to us)

47~50

■ Specifications

50~51

■ Wiring diagrams

Wiring 1 (SVC-680A)	52
Wiring 2 (SVC-680B)	53
Wiring 3 (SVC-680C)	54

HANDING COMPACT DISC

Dirt, dust, scratches, and warped discs can cause skips in the playback and deterioration of sound quality.

Please follow these guidelines to take care of your discs:



- Use only compact discs with the mark
- Fingerprints, dust, and dirt should be carefully wiped off the disc's playing surface (shiny side) with a soft cloth. Wipe in a straight motion from the inside to the outside of the disc.
- Never use chemicals such as record sprays, household cleaners or thinner to clean compact discs. Such chemicals can irreparably damage the disc's surface.
- Discs should be kept in their storage cases when not in use.
- Do not expose discs to direct sunlight, high temperatures or high humidity for extended periods.
- Do not stick paper, tape, or labels on the disc surfaces nor write on them with any type of marker.

SAFETY PRECAUTIONS

- This device is designed to be operated in a DC 12V negative ground system.
- Please install and operate the device as specified by this manual.
- Do not open the device to repair it. There are no user serviceable parts.
- Do not allow the unit to come in contact with excessive moisture, especially when cleaning. Clean with a damp cloth.
- Condensation
If the CD Changer is exposed to excessive moisture, the unit may not read the disc. Allow sufficient time for the optical lens to dry.
- Video/audio trouble
When your car is driven on a rough road you may experience video/audio skipping. This situation is unavoidable and CD Changer will operate correctly when the road surface becomes smooth again.

For safety reasons, when changing video media it is recommended that the vehicle is not in motion, and that you do not allow children to unfasten seat-belts to change video media or make any adjustments to the system except through the remote control. System adjustments can be accomplished using the remote control unit, while seat-belts remain fastened. Enjoy your entertainment system and remember the safety of all of the passengers in the vehicle should always remain the number one priority.

Use care to prevent dirt and foreign objects from entering the DVD Changer compartment. Be especially careful not to spill liquids of any kind onto the media controls or into the system. If liquid is accidentally spilled onto the system, immediately turn the system OFF and consult a qualified service technician

When the vehicle is parked in direct sunlight or in an extremely cold place for a long period of time, wait until the cabin temperature of the vehicle is at a comfortable temperature before operating the system

The driver must not attempt to operate any function of the DVD Changer while the vehicle is in motion. Give full attention to driving and to the road. Pull off the road and park in a safe place before inserting or extracting DVD's from the system. A remote control is included with the system to allow the rear seat occupants to operate most system functions without distracting the driver or removing seat belts.

DISC TYPES

■ The following disc types may be used with this DVD Changer.

Disc type and logo mark	Size of disc	Max. playing time
DVD Video	5 inch (12 _{cm})	Approx. 133 min. (SS/SL) Approx. 242 min. (SS/DL) Approx. 266 min. (SD/SL) Approx. 484 min. (DS/DL) SS= one side DS= both sides SL= one-side layer DL= dual layers
Video CD	5 inch (12 _{cm})	Approx. 74 min.
Audio CD	5 inch (12 _{cm})	Approx. 74 min.
CD-ROM	5 inch (12 _{cm})	MP3 : MP3 music files

■ The following discs types cannot be played by the DVD Changer:

- DVD-R • DVD-RAM • DVD-ROM • DVD-Audio
- CD-G • Mixed CD(Date) • Active Audio(Date) • VCD • Multi-session disc
- In case you designate other regional numbers but “1” or “ALL” for DVD Video display
- You can play by TV method setting disc recorded with TV signals but NTSC or PAL
- When session is closed, the Multi-session disc will not be played.

Note :

The discs recorded with CD-R and CD-RW can be played, but successful playback depends on the recording conditions.

■ **Dual layer DVD Video disc**

When you play a dual layer disc, you may experience a time lag between the end of first layer and the start of second layer. Namely, the images may be stopped or the sound will mute for a few seconds. Such problems are common for any dual layer disc.

■ **Local Region numbers (locally limited numbers)**



The local region number for this device is “1”

There are local region numbers **assigned** for DVD play and DVD video discs. If these numbers are not matched, the disc will not play. This device cannot play discs with other local numbers but “1” or “ALL” .

Note :

- The disc with “ALL” local number allotted will not be limited in terms of the coverage. Such a disc can be played with the DVD players with any local number allotted.
- The discs with no local numbers indicated
 1. They can be played with the DVD player with the same local number.
 2. played with the DVD players with “ALL” allotted.
- The discs recorded in TV signal formats other than NTSC or PAL cannot be played even if their local number is “1” or “ALL” .

■ PBC (play control) - compatible video CD

This device is compatible with PBC-compatible video CDs.

In addition to the typical sound or animation plays, PBC-compatible video CD uses the PBC menus recorded in the disc, so that CD may be played in an interactive mode.

■ TV signal formats (NTSC/PAL)

NTSC/PAL modes can be set up in the SET-UP mode of this device.

Pre-Operational Check

When wiring is completed, you should follow the procedures provided below before operating the DVD Changer.

The DVD Changer is designed to play DVD video/video CD/audio CD. The video signals may be directly connected to the video input and the audio signals can be connected to the AUX input of FM modulator head unit, respectively using a DIN cable.

■ When connecting the DVD CHANGER with a FM MODULATOR

① Setting for operation

1. Insert the disc into the magazine and then install the magazine into the DVD Changer. Then the DVD Changer checks the disc in the magazine.
2. Turn on the power for the car stereo and then connect the audio signals.
3. Set the radio at 88.7MHz. (Frequency is determined depending on the type of FM modulator.)
4. Turn on the monitor and then switch to video mode.

Note : Please refer to the manuals for car stereo and monitor.

② Power on and play

1. Turn on the power for the monitor by pressing the power button of the remote control. The initial screen will display "DISC CHECK" enabled. After disc checks the number 1 disc will be played.
2. Use the car stereo and control buttons to adjust the audio (volume, balance, tone, etc.) according to your preference. Adjust the video (shade, contrast, tone, etc.,) using the monitor controls.

Note.

- When the magazine is inserted, the device will check the discs in each tray to set the disc list. When "DISC BEING CHECKED" is displayed, the disc list is being set. If you want to play the disc without waiting for disc list setting, please press DISC UP/DN(▲, ▼) and the ENTER button.
- When using a DVD, the title menu screen and DVD menu screen will be displayed depending on the type of discs. When using a video CD, the PBC menu screen will be displayed depending on the type of discs.
- The playback information will differ depending on the disc types (DVD/video CD/audio CD/MP3).
- Refer to the manuals for the car stereo and monitor.

■ When connecting DVD CHANGER directly with Head Unit

1. Insert the disc into the magazine and then install the magazine into DVD Changer.
The DVD Changer will check the disc in the magazine.
2. Turn on the monitor and change the switch.
3. Turn on the car stereo and press DVD Changer mode and the button of the car stereo to switch to DVD Changer. The initial screen will display "DISC CHECK" enabled.
When disc checking is complete, the number 1 disc will be played.
When you press DISC UP/DN (▲, ▼)ENTER button during disc checking, disc checking will be stopped to play the disc you have designated.
4. Adjust the audio(volume, balance, tone, etc..) by using the car stereo control buttons.
And adjust the video (shade, contrast, tone, etc..) by using the monitor controls.

Note.

- When you insert the magazine, the DVD Changer will check the discs in each tray to set the disc list. When "DISK BEING CHECKED" appears it means that a disc list is being set.
If you want to play a disc without waiting for disc list setting, press DISC UP/DN(▲, ▼) ENTER button.
- When using a DVD, the title menu screen or DVD menu screen will display depending on the disc type. In case of video CD, the PBC menu screen will be displayed.
- The playback information displayed differs depending on types of discs (DVD/video CD/audio CD/MP3).
- The power source for DVD Changer can be turned on/off using the car stereo controls.
When using a remote control optical receiver, do not use the power button of on the remote control.
- The displays of car stereo may not match the ones controlled by remote control.
(Namely, if the switcher is set to repeat mode, it will not be shown on the display of car stereo.)
- Please refer to the manuals for car stereo and monitor.

Remote Control

■ How to insert the battery

1. Press the cover of the battery and pull it towards you.
2. Insert a lithium battery (CR-2025) and then, push to close the cover.



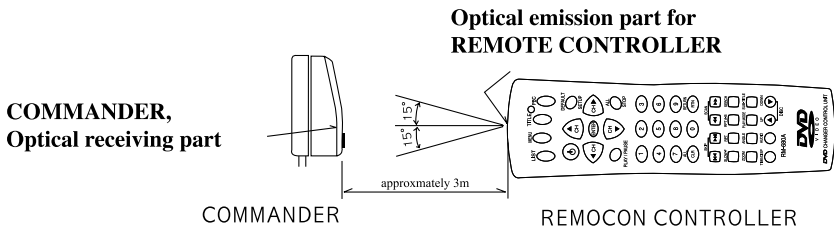
■ **When the battery is discharged, please dispose of the battery according to local environmental codes.**

■ Remote control operation

Aim the remote control towards the photo receiver of the sensor. The remote control will work within about 15 degrees vertically and horizontally and approximately 10 feet (3meters) from the photo sensor.

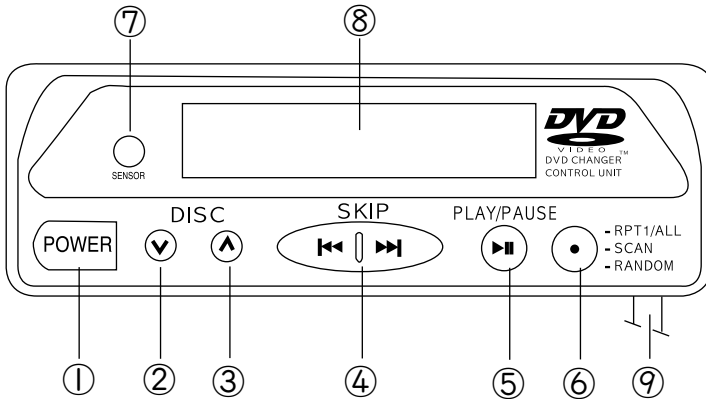
Note.

As the battery is discharged, the range of the remote control operation may be narrowed. When range decreases, replace the battery.



Controls and Indicators

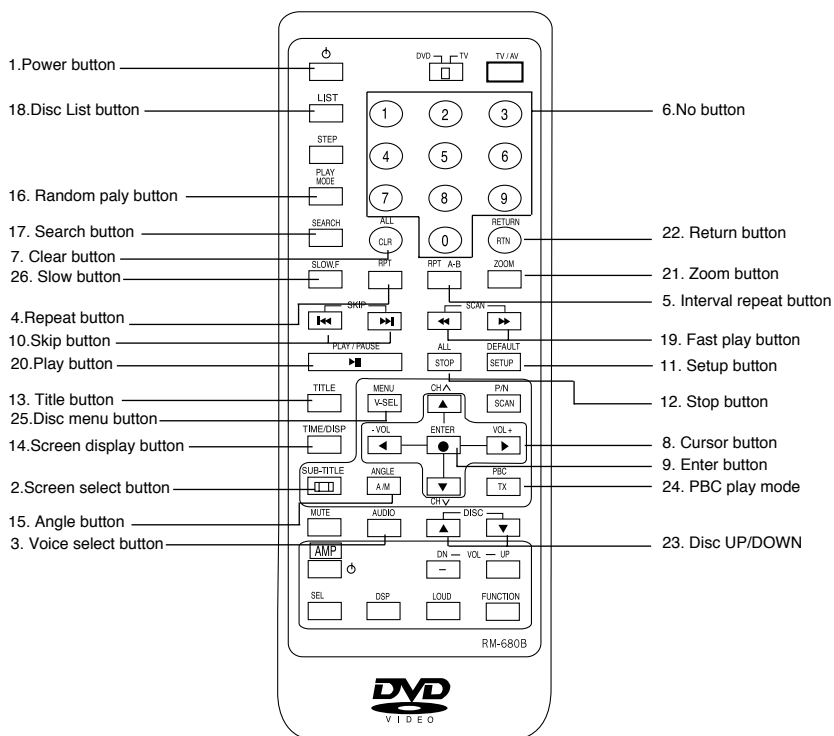
► COMMANDER



- ① POWER ON/OFF BUTTON
- ② DISC DOWN SELECT BUTTON
- ③ DISC UP SELECT BUTTON
- ④ TRACK UP/DOWN SELECT BUTTON
- ⑤ PLAY/STOP SELECT BUTTON
- ⑥ REPEAT ONE → SCAN ONE → RANDOM ONE TOGGLE SELECT BUTTON
- ⑦ REMOTE CONTROL SENSOR
- ⑧ LCD DISPLAY
- ⑨ COMMANDER ↔ FM MODULATOR CONNECTION CABLE JACK

NO	KEY FUNCTION		REMARK
	SHORT PRESS	LONG PRESS(1.5SEC)	
1	POWER button		
2	DISC-DOWN button		
3	DISC-UP button		
4	⏮ (TRACK UP button)	⏮ (CD Fast Play button)	DOUBLE KEY
5	⏭ (TRACK DOWN button)	⏭ (CD Fast Play button)	DOUBLE KEY
6	PLAY / STOP		
7	REPEAT ONE/ALL/SCAN/RANDOM		TOGGLE KEY

REMOCON



Caution : The Amp buttons on the lower part of the device are used with our designated amplifier, do not use them for this DVD device.

1. Power button

Turn the power source for DVD CHANGER ON/OFF

2. Screen (subtitle) select button

When this button is pressed during DVD play, you can switch to the subtitle language recorded.

3. Voice (audio) select button

- When you press this button during DVD play, you can switch to audio language recorded.
- If a disc is recorded with mix of video and audio CDs, it can be switched to an audio output format (RIGHT, MONO, LEFT MONO, STEREO).

For example, if a disc is recorded with L-CH: English and R-CH:

Chinese, L-CH/R-CH Chinese will be played when R-CH MONO audio is selected.

4. Repeat button
This button allows you to repeat disc play.
5. Interval repeat button (A ~ B)
When this button is pressed during play, it will allow you to repeat a selected part of the title or track you want.
6. Number button (0 ~ 9)
You may use this button during PBC play to switch to the search mode or program list setup.
7. Clear button
You may clear the number which you entered by mistake.
8. Cursor button
This button may be used when you select an item from the screen.
9. Enter button
You may use this button when selecting or playing a disc.
10. Skip button (◀◀ , ▶▶)
 - When this button is pressed during play, you will skip/return to the chapter or track.
 - When you press this button (▶▶) while DVD/video CD is paused, you will skip over the next frame to play the disc.
11. Setup button
When this button is pressed during stop, you will return to the setup screen.
12. Stop button (■)
DISC play will be stopped by this button.
13. Title button
When you press this button during DVD play, you will move to the title menu screen.
14. Screen display button (TIME/ DISP)
 - When you press this button during DVD or video CD play, the working time will be displayed. When you press it again, you may change the format of the time display.
 - When you press it during audio CD play, you may change the format of the time display.
15. Angle button
When this button is pressed during DVD play, the angle will be changed.
This function may be used for a multi-angle recorded screen.
16. Random play button (PLAY MODE)
When you press this button during audio CD play, the play format changes between

scan, random and ordinary play.

INTRO SCAN → INTRO SCAN OFF → RANDOM → RANDOM OFF

17. Search button

When pressed during DVD play, you can select your desired title or chapter for play.

When pressed during VCD play, you can select the desired time for play.

18. Disc list button (LIST)- Displayed only after full loading

The disc list included in the magazine will be displayed. You may select your desired disc from the disc list screen for play or limit the disc to a certain format.

19. Fast play button (◀◀ , ▶▶)

When pressed during play, you will play the disc fast forwards or backwards.

20. Play button (▶)

This button will play the disc.

If this button is pressed during fast forwards or backwards play, next frame play or slow play, you will switch to the ordinary play mode.

Pause button (||)

When this button is pressed during play, DVD or video or audio will stop temporarily.

If this button is pressed again, the device will return to the play mode.

21. Zoom button

This button will be activated only for DVD or video CD.

Whenever it is pressed, zooming will toggle among ZOOM × 1, — × 1.5, — × 2, — × 4, — OFF.

22. Return button

This button will move you to the previously selected screen from setup or other procedures.

23. Disc UP/DOWN (▲ , ▼)

This button will allow you to select and play your desired disc.

24. PBC play MODE

During play, this button will display the PBC menu recorded in the PBC-compatible video CD.

25. Disc menu button (MENU)

This button will be activated only for DVD or video CD.

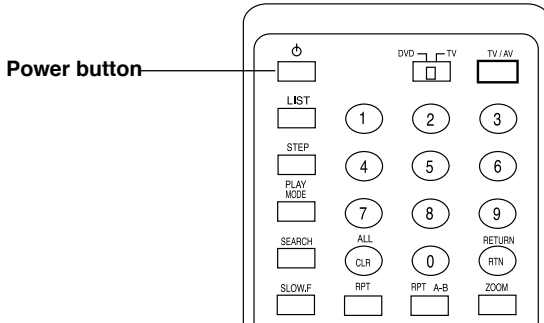
For DVD : This button will display the ROOT menu, or allow you to play from a certain time if there is no such menu.

For VIDEO CD : This button will display the menu during PBC ON, if the disc is a PBC compatible disc.

26. Slow button

The disc will be played slow.

Power OFF



■ **Power button (when using FM modulator and commander)**

When turning on the power again (beginning to play the disc again), you are advised to set the FM radio receiver at 88.7 MHz or 89.1 MHz (the frequency selected by Frequency Select switch on the FM modulator). Then press the power button. The disc begins to be played from the position where previous play was stopped.

Note :

When you want to listen in a different car stereo mode (radio mode or CD mode), turn off DVD CHANGER power. Otherwise, excessive radio noise or receiver trouble could result.

■ **When DVD CHANGER is directly connected with the receiver of a CD switching controller**

Please turn off the car stereo or switch to other modes (radio mode, CD mode, etc.).

If you want to turn on the power again (play again), follow the procedures below.

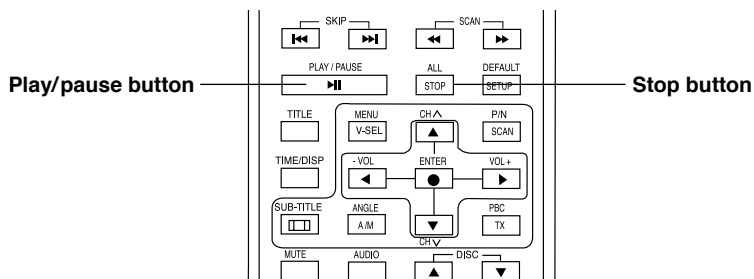
Then, the disc begins to play from the position where the previous play was stopped.

- In case the power for car stereo is off, turn it on. (In case the device mode is not set up, press the Enter button of the switcher mode.)
- When you listen another car stereo mode (radio mode or CD mode), press the Car Stereo Switcher select button.

Note.

- Do not use the power button for remote control.
- Please refer to the car stereo manual.

Play Stop



■ Play stop

Press the Stop button. The upper part of the screen shows “STOP”, disabling the play mode. (And the play resume function will be activated.)

■ Play resume button

- Pressing the Stop button during play will store the position of play stop. This is called play resume function. If this function is activated, the device will indicate the tray number, track and time of MP3, audio CD and CD-RW discs.
- In any of the following cases, the play resume function will be disabled.
 - When the Stop button is pressed again
 - When the magazine is removed and then, inserted again.

If you want to play it again, press the PLAY button.

■ Pause (temporary stop)

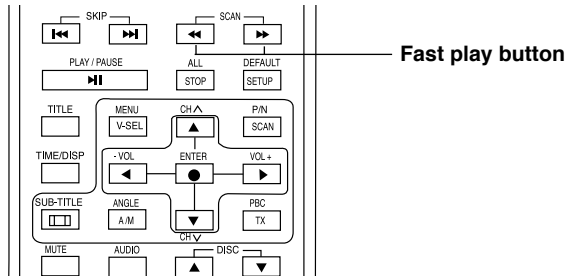
Press the Pause button.

In the case of an audio CD, play will be stopped with the operating time flashing.

In the case of a DVD or video CD, the video will be stopped (the sound will also be stopped). If you press the Pause button again, the disc will be played from the point where it was stopped.

In some cases video or audio may be stopped just after DVD or video CD begins to be played. Such problems are caused not because of a machine trouble but because of the disc features. Regardless, if you press the Play button again, the disc will be played.

Fast Play



■ DVD and video CD

During play, press (◀◀ or ▶▶) button.

- If you want to play fast forwards, press [▶▶] button.
When pressing this button, the upper part of the screen will display FAST FWD × 1, — × 2, — × 4, — × 8. Then, the disc will be played fast forwards.
- If you want to play fast backwards, press [◀◀] button.
When pressing this button, the upper part of the screen will display FAST BWD × 1, — × 2, — × 4, — × 8. Then, the disc will be played fast backwards.

If you want to reduce the speed of fast forwards or backwards play:

During fast forward play, press [◀◀] button, or press [▶▶] button during fast backward play.

If you want to return to the normal play speed,

Press the Play button [▶].

Note.

- During fast forward or backward play, the sound will be disabled.
- For some discs, the intervals which cannot be activated by fast forward or backward play may be included. At such intervals, the playing speed will be automatically set at the ordinary speed.

■ Audio CD, MP3 CD

During play, press [◀◀ or ▶▶] button.

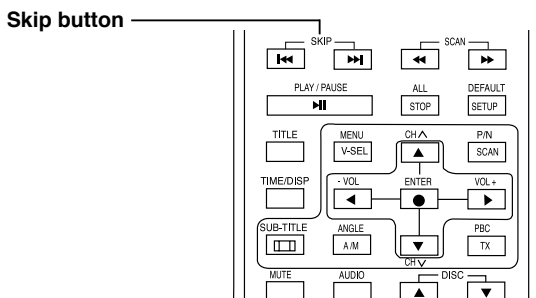
- If you want to play the disc fast forwards, press [▶▶] button.
When pressing the button, the disc will be played in the order of FAST FWD × 2 → — × 16 → PLAY
- If you want to play the disc fast backwards, press [◀◀] button.
When pressing the button, the disc will be played in the order of FAST BWD × 2 → — × 16 → PLAY

If you want to return to the normal speed, Press the Play button [►].

Note.

- During fast forward or backward play, the sound may be disabled or skipped over.
- When the end of the disc is reached during fast forward play, the next disc in the magazine will be automatically selected. When the end of the disc is reached during fast backward play, play of the first track will begin.

Movement to Next/Previous Chapter or Track



During play, press the skip button [**⏮, ⏭**].

If you want to move to next chapter or track, press [**⏭**] button.

Example of forwards skip button : **SKIP FWD 008**

If you want to return to previous chapter or track, press [**⏮**] button.

Example of backwards skip button : **SKIP BWD 007**

Pressing [**⏮**] button once will move you to the chapter being played or the beginning of the track.

■ When moving directly to next/previous chapter or track

• For a DVD

If you want to move directly to your desired chapter, press the Search button, chapter number and Enter button in that order.

Example of pressing Search button : **TITLE : 01/04 CHAPTER : 000/017**

Example of selecting chapter 8 : **TITLE : 01/04 CHAPTER : 008/017**

• For a CD, CD-RW, MP3

If you want to move directly to your desired track, press the track number and Enter button.

Example of selecting track 8 : **SELECT : 008**

Note.

- Chapters are parts of the audio or image recorded on the DVD. Tracks are divisions of audio or image (in case of video CD) recorded on a video CD or audio CD.
- For some discs, their chapters or tracks may not allow for such a function.

Slow Play

■ Press **Slow button**.

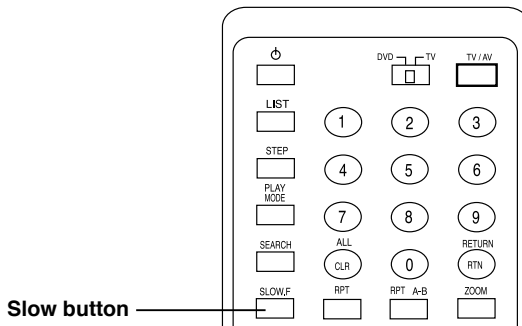
■ The disc will be played in the order of **SLOW FWD** × 1/2 → — × 1/4 → — × 1/8
→ **BWD** × 1/2 → — × 1/4 → — × 1/8 → **PLAY**.

Note.

- During slow play, the sound will be disabled.
- Slow play may not be activated depending on disc type or its running positions.
- For some discs, slow play may degrade the image quality of the disc.

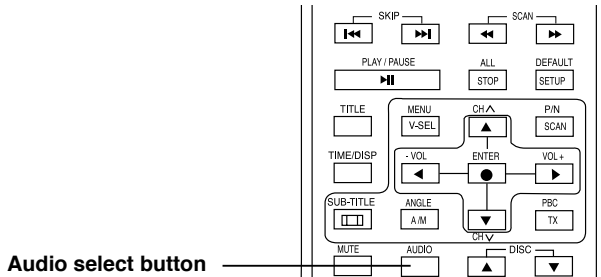
If you want to return to normal play :

Press Play button.



Switch to voice

Some discs contain multi-language audio tracks. In such cases, you may select your desired language as follows;



- 1 During play, press Audio Select button.
The voice language selected will be displayed on the upper part of the screen for 3 seconds.

Example of a voice display : **AUDIO 02/03 ENGLISH**

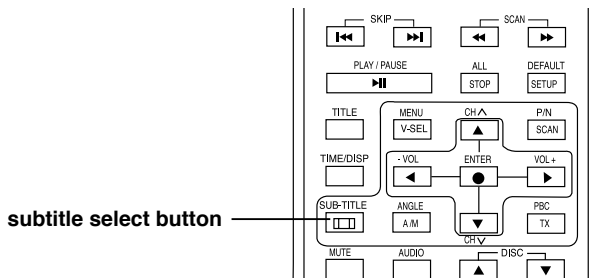
- 2 With a voice language displayed, use the voice select button to select your desired voice language. When you press the button, the voice language will be selected from the language list recorded on the disc.
- 3 Press the Enter button.
If not pressed after selection, the voice language will be automatically selected 3 seconds later.

Note.

- This function can be used only when multi-language voices are recorded in the disc.
- The voice language may be switched also on DVD menu or setup screen.
- Some disc may only allow to select audio via it's title or disc menu.

Subtitle Selection

In some DVD discs, a screen language is recorded. In such a case, you may select to display the screen language or hide it. In addition, some discs include multi-languages recorded. In such a case, you may select your desired screen language.



- 1 During play, press sub-title Select button.
Then, the language selected will be displayed on the upper part of screen for 3 seconds.

Example of a subtitle display : **SUBTITLE 01/02 ENGLISH**

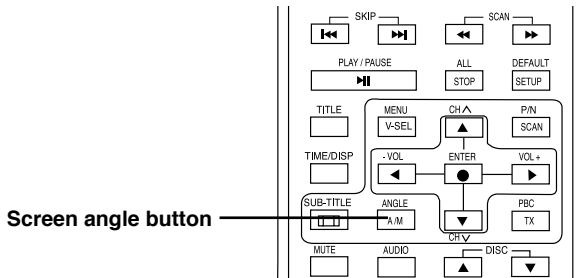
- 2 When a screen language is displayed, use the screen select button to select or deselect it. (You may want to erase the screen language.)
Whenever pressing the screen select button, the screen languages will be toggled.
- 3 Press the Enter button.
If you do not press Enter after selection, the screen language will be selected about 3 sec. later.

Note.

- This screen language selection function can be used only for the discs with multi-languages recorded.
- In some discs, this function will not work.
This function will not work for the screen languages displayed on DVD menu or setup screen. In such a case, switch the screen language menu on DVD menu or setup screen. If a screen language is included in both disc and setup, switch it on the setup screen.
- At stage2, you may use the up/down cursors to select a screen language.

Change of screen angles

Some DVD discs have the scenes recorded to be viewed from diverse angles. You may select your desired angle to view it.



- 1 While the scenes recorded from diverse angles are played, press the screen angle button. Then, your selected angle will be displayed on the upper part of the screen for about 3 seconds.

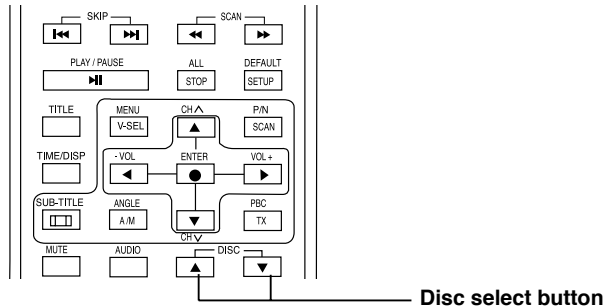
Example of on angle display : **ANGLE 01/03**

- 2 While an angle number is displayed, use the screen angle button to select your desired angle. If you do not press Enter button after selection, the angle will be selected about seconds later. (When the angle number display has disappeared)

Note.

- The function can be used for the scenes recorded from multi-angles.
- The numbers of recorded angles differ depending on discs and scenes.
- You may change the angles during ordinary play.
You cannot change the angles during slow play or frame-precending play.
- If a scene whose angle can be changed emerges, it will switch to the selected angle at stage 2.
- At stage 2, you may use up/dn cursors to select an angle number.

Selection of DISC



Press the disc select button[▲ or ▼].

If you want to proceed to next disc, press [▲] button..

If you want to return to the previous disc, press [▼] button.

Note.

- During disc selection, the trays not containing the discs will be skipped over.
- You may select a disc from the displayed disc list included in the magazine.
- The playing procedures differ depending on the type of discs selected.

DVD :

When select a disc, it will be played from the beginning.

The functions after disc selection will differ depending on the types of discs.

For example, some discs will be played again from its beginning.

Sometimes, title menu screen or DVD menu screen will be displayed.

When title menu screen or DVD menu screen is displayed, select the desired menu item you wish to play.

Video CD/ Audio CD

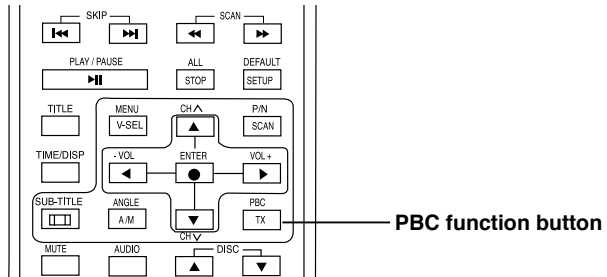
When you select a disc, the first track will be played.

When the last track has been played, the next disc in the magazine will be automatically selected.

In case of some PBC (play controlled)-compatible video CD, the menu screen will be displayed after its selection. Select the item to have it played. When the selected item is played, the menu screen will be displayed again.

Playback Control(PBC) Function

This function will display the PBC menu when using a video CD. The following describes when an interactive menu is played.



PBC play function

1 When PBC menu screen is displayed, use the number buttons (0~9) to enter the item number you want to use.

If you want to enter the item number “10”

- Press (1). Then, “- 1” will be displayed on the upper left of the screen.
- Press (0). Then, the display on the upper left of the screen will turn to “- -10”.

2 Press the Enter button.

3 For other selections, repeat steps **1** and **2** .

Note.

- This device is set initially at PBC OFF MODE.
- If you enter a wrong number, press Clear button to delete it.
- If you want to stop PBC playback and go to normal playback please refer to the chapter describing “PBC playback and ordinary playback”
- The PBC menu is stored in the disc and the contents may differ depending on the type of disc.
- If using a compatible video CD, pressing Disc Menu button during play will move to the menu.

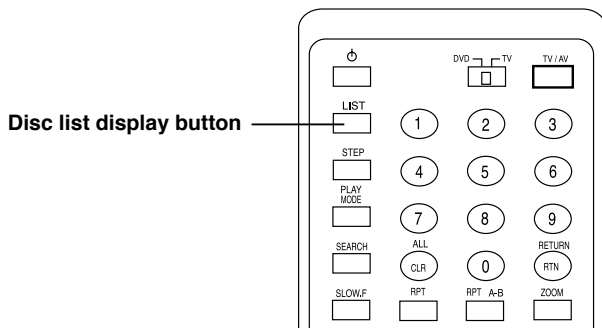
If you want to display the PBC menu during PBC play,
Press the Return button.

PBC play and normal play (PBC OFF MODE)

Pressing PBC button at PBC play mode will toggle to the normal play mode.

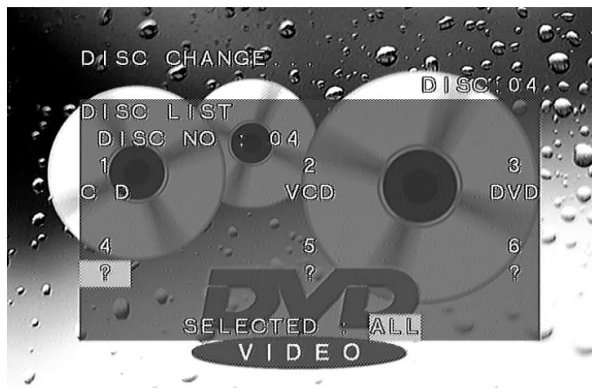
Display of disc list

You may display the disc list that is included in the magazine or check the disc formats (DVD, video CD, audio CD). you can also select your desired disc to be played.



Press the List button

- Then, the screen showing the disc list will appear.



Disc list

The magazine tray numbers and the disc list in the tray will be displayed.

- Tray #1 includes audio CD.
- Tray #2 includes video CD.
- Tray #3 includes DVD.
- Tray #4 is currently being read.
- Discs have not been checked for trays #5 and #6.

About disc list

When the magazine is inserted, the DVD Changer checks the discs in each tray to create the disc list. While the disc list is being created, pressing the Play button will stop the checking process **and** begin to play first disc.

Note.

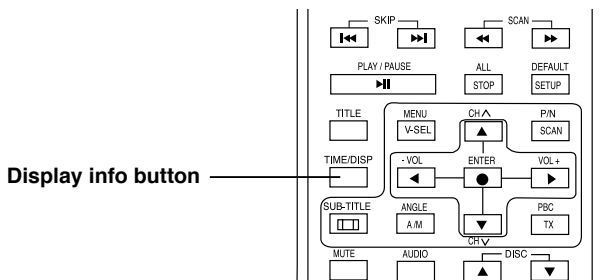
- The tray not including the disc or the tray including the disc which cannot be played by the DVD Changer will be displayed as “-”.
- Only the number will be displayed for the tray including the disc not checked.

To turn off the screen displaying the disc list, Press List or Return button.

If you want to select a disc to be played,

- Use the cursor button to select the tray including desired disc from the disc list.
- Press the Enter button.
The selected disc begins to be played.

Displaying playback information




When the display button (TIME/DISP) is pressed, the following screens are displayed depending on the disc contents.

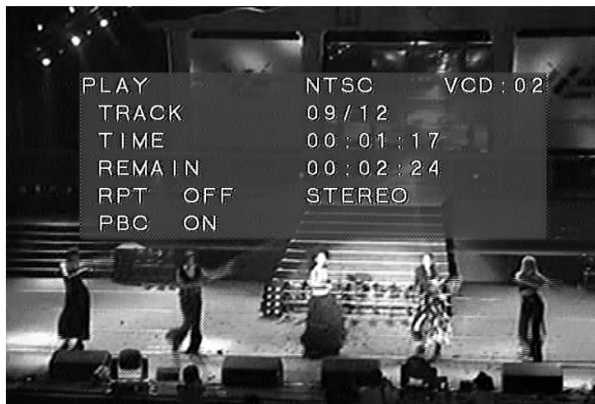
▶ Playing a DVD



■ Description

• PLAY		Playback status
• NTSC		Video signal standard
• DVD : 01		Disc information
• TITLE	01 / 09	Current TITLE
• CHAPTER	004 / 044	Current CHAPTER
• TIME	00:06:25	Elapsed time
• REMAIN	01:58:00	Remaining time
• SUB TITLE OFF	00 / 03	Subtitle status
• AUDIO KOREAN	01 / 03	Audio / Language status
• RPT OFF		Repeat mode status
• 	1/1	Camera angle
• AC-3		Sound effect

► Playing a VIDEO CD



■ Description

- TRACK 09 / 12 TRACK information
- PBC OFF Play control button

► Playing an AUDIO CD



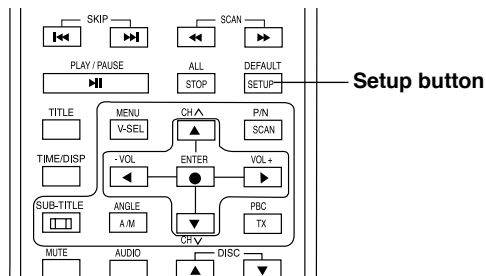
► Playing MP3 CD



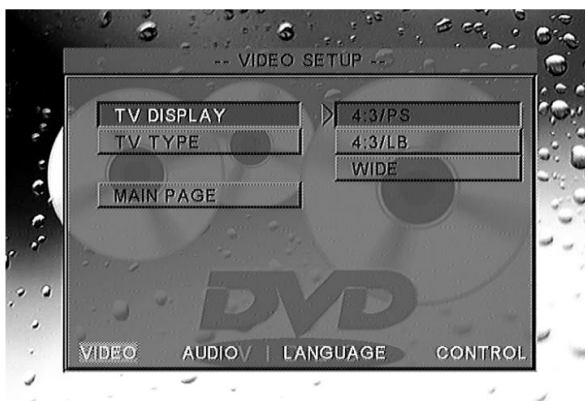
- When a MP3 CD is played, its file, folder and title will not be displayed.
- Pressing the screen display button (TIME/DISP) will display title, producer, disc number and the year of production. (Korean ones will not be displayed.)



Basic operation 1 Changing Setup (DVD)



- 1 If you want to stop playing, press the Stop button.
(You can only change the setup while the DVD Changer is in the stop mode.)
- 2 Press the Setup button. The setup screen will be displayed.



- 3 Use Up/Dn cursor button to select the item and press Enter button.
The setup screen for the item selected will be displayed.

Basic operation 2 Changing Setup

Note :

The contents setup will be maintained until changed.

If you want to return to the previous screen during change of setup,

Press Return button or left cursor button.

If you want to stop or terminate the setup change procedure,

① Press the Setup button.

Then, " ■ " screen will be displayed again.

② Press the Play button.

Play mode will be activated.

Note.

- In case of video and audio CDs, the play resume function will be activated from the position where the play was stopped.
- In case of a DVD, the disc will be played from the start. If the setup has not been changed, the play resume function will be activated from the position where the play was stopped.

TV screen change1(vertical/horizontal image ratio)

There are two types of monitors. The ordinary monitor has 4:3 horizontal/vertical image ratio, while the wide monitor has 16:9 image ratio. Any of the following 3 types can be used for some DVDs, which may store multi-image ratios. Set the image ratio according to your monitor type.

■ 4:3 Letter Box

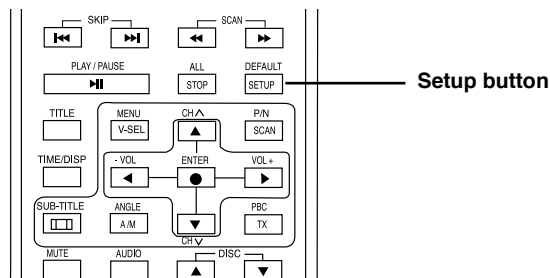
This can be selected for an ordinary monitor. If a wide image DVD of 16:9 image ratio is played, the vertical length will be compressed with black bands on upper and lower parts of screen.

■ 4:3 Pan & Scan

This can be selected for an ordinary monitor. If a wide image DVD of 16:9 image ratio is played, some of the left and right parts of the screen will be cut.

■ 16:9 Wide screen

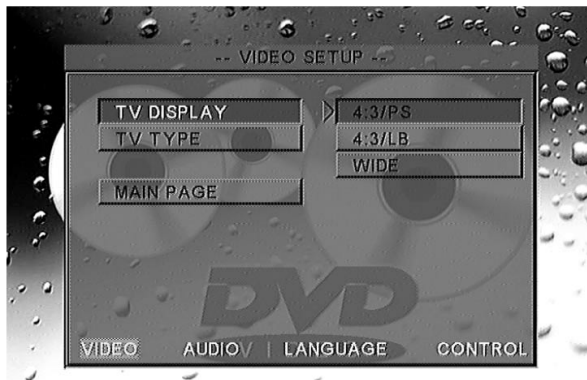
When a wide image DVD of 16:9 ratio is played, it can be played full-screen on a wide monitor. To have the image displayed full-screen, set the monitor at “Full” or an equivalent mode. Refer to the manual of your monitor for details.



- 1 Run steps 1 and 2 for Basic operation to change the setup and to display the setup screen.
- 2 Use Up/Dn cursor button to select “ **SETUP** ” and press Enter button. The setup screen will be displayed.

TV screen change2 (vertical/horizontal image ratio)

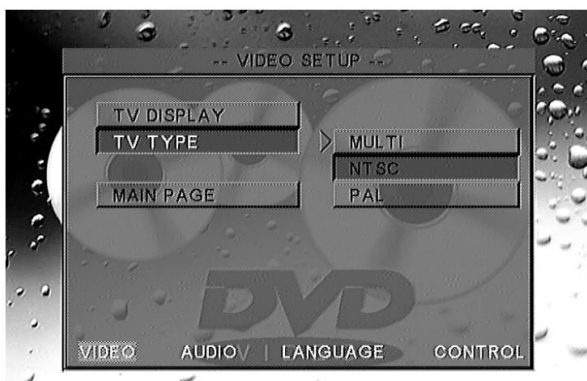
- 3 Use Up/Down cursor button to set an image ratio(4:3 Letter Box, 4:3 Pan & Scan, 16:9 Wide Screen) and press Enter button. Then, the main setup screen will be displayed again.



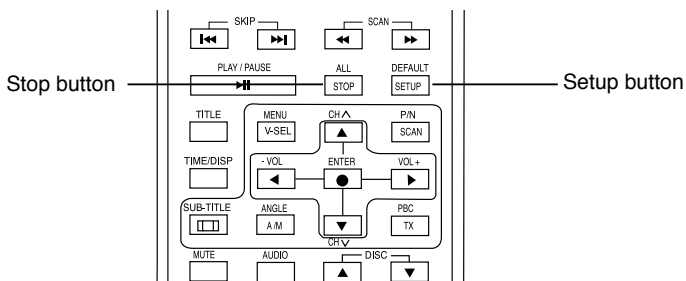
Note.

- When you have selected an image ratio which is not stored in the disc, any image ratio stored in the disc may be used during play. Some discs include only a single image ratio.
- If you setup "16:9 WideScreen" for an ordinary monitor, the image may be distorted. For an ordinary monitor, use the setup 4:3 Letter Box or 4:3 Pan & Scan.
- If a wide monitor is set at "Full" or an equivalent mode and the DVD Changer is set for "4:3 Letter Box or 4:3 Pan & Scan", the image may not look natural. If you want to use a wide monitor to view "4:3 Letter Box or 4:3 Pan & Scan" image, set the monitor to 4:3 image ratio.

- 4 Use Up/Dn cursor button to setup a TV signal format (MULTI, NTSC, PAL) and press the Enter button. Then, the main setup screen will be displayed again.

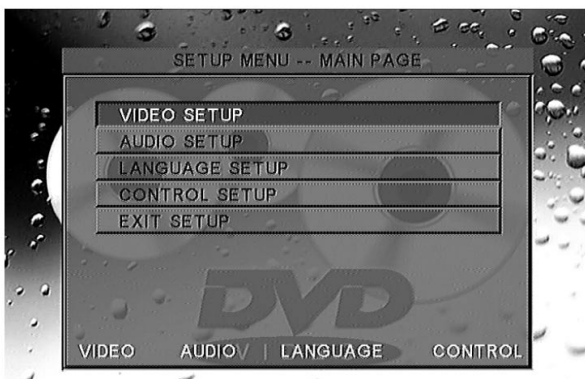


Setup for the optical digital output

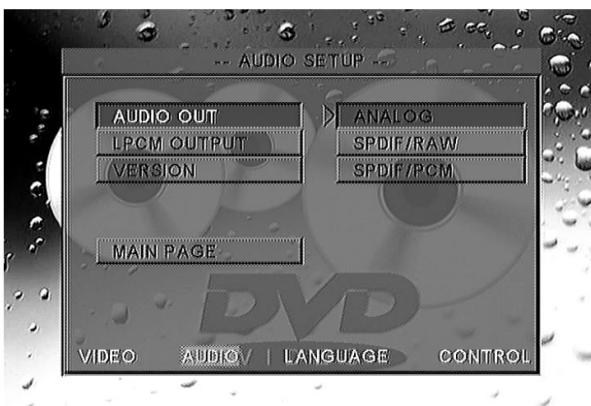


- 5 If you want to stop playing, press Stop button.

When you press Stop button during play, "PRE-STOP" will be displayed on screen. You may press the button again only with "STOP" displayed. Pressing Setup button will display the following screen:



- Select AUDIO SETUP with the cursor.



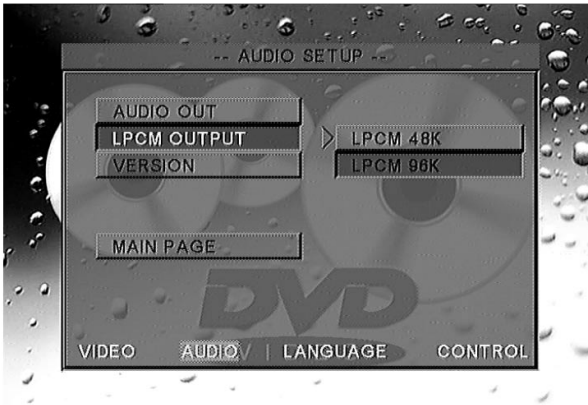
- Analog output is the default for audio output.
If you want to change to optical output, set "SPDIF/RAW (or PCM)" for the audio output.
- Select "MAIN PAGE" and then "EXIT SETUP" from Setup menu. Press Play button to change to optical output.

※ **About RAW and PCM**

- RAW : Selectable when Dolby digital decoder is connected with the audio. When Dolby digital format (signal) audio is played, it will be output without its change.
- PCM : Selectable when Dolby digital decoder is not connected with the audio. Dolby digital format (signal) audio will be changed to linear PCM before output.

Other setups

6 Setup for digital audio output



- This is a mode selecting PCM voice signal recorded in DVD.
- Use Up/Dn cursor to select “LPCM OUTPUT” and press the Enter button.

※ About LPCM 48K and LPCM 96K

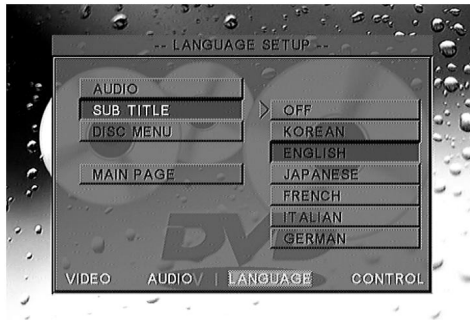
- LPCM 48K :Selected when DVD sampling frequency is set at 48KHz.
- LPCM 96K :Selected when DVD sampling frequency is set at 96KHz.

7 You may change DVD audio language.

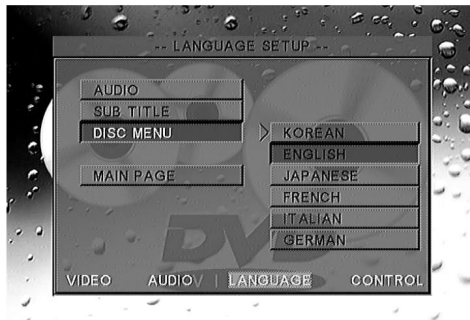
Use Up/Dn cursor to select your desired language and press the Enter button.



- 8 You may change the subtitle language of DVD.
Use Up/Dn cursor to select your desired subtitle language and press the Enter button.

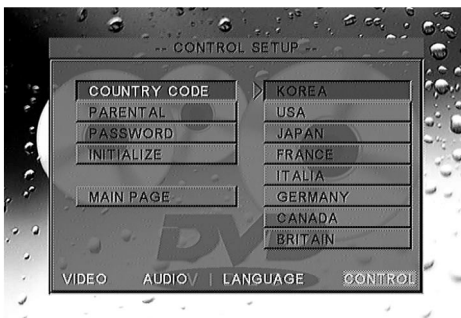


- 9 Change the disc menu language



- Use Up/Dn cursor to select your desired language and press the Enter button.

- 10 This mode sets a local code.
Select your desired local code and change it.



- Use Up/Dn cursor to select desired region code and press Enter button.
- The local codes are as follows.

• USA, CANADA



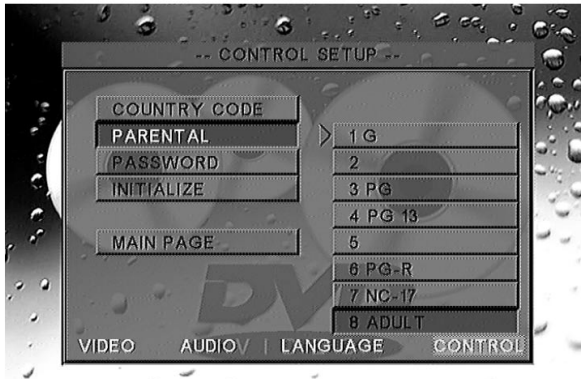
• KOREA



• JAPAN, FRANCE, ITALIA, GERMANY, BRITAIN



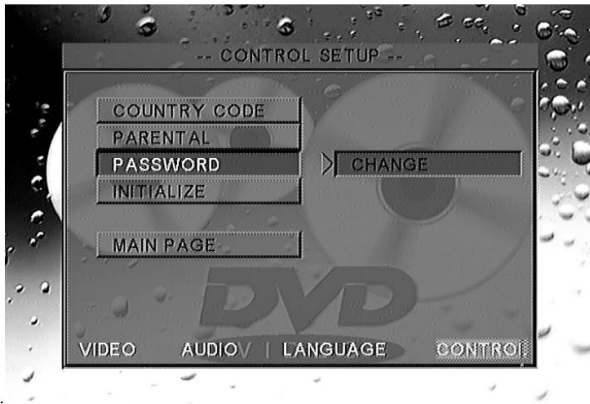
ii Parental control



■ PARENTAL CONTROLS DESCRIPTIONS

1G 2	For general audience. No age requirement.
3PG	Parental Guidance suggested. some material may not be suitable for children.
4PG 13	Parents Strongly cautioned. Some material may be inappropriate for children under 13.
5	Some material may be inappropriate for children under 13.
6PG-R	Limited strongly cautioned.
7CN-17	No one 17 and under allowed.
8 Adult	

12 Setting password.



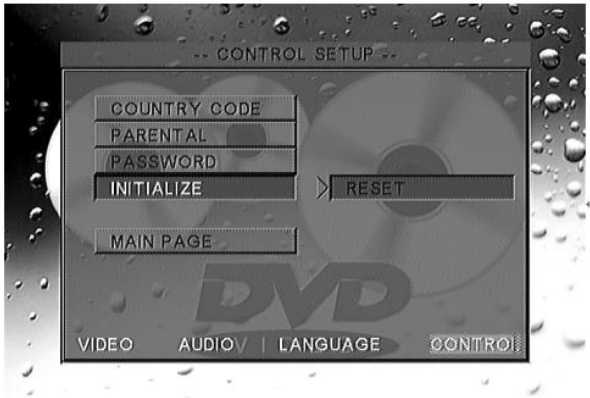
- Use Up/Dn buttons to select Password Change and press the Enter button.
- Enter a PASSWORD and press the Enter button.



Note.

- The default password is "5700", use this password in case you forgot the current password.

13 Initializing the setup menu.

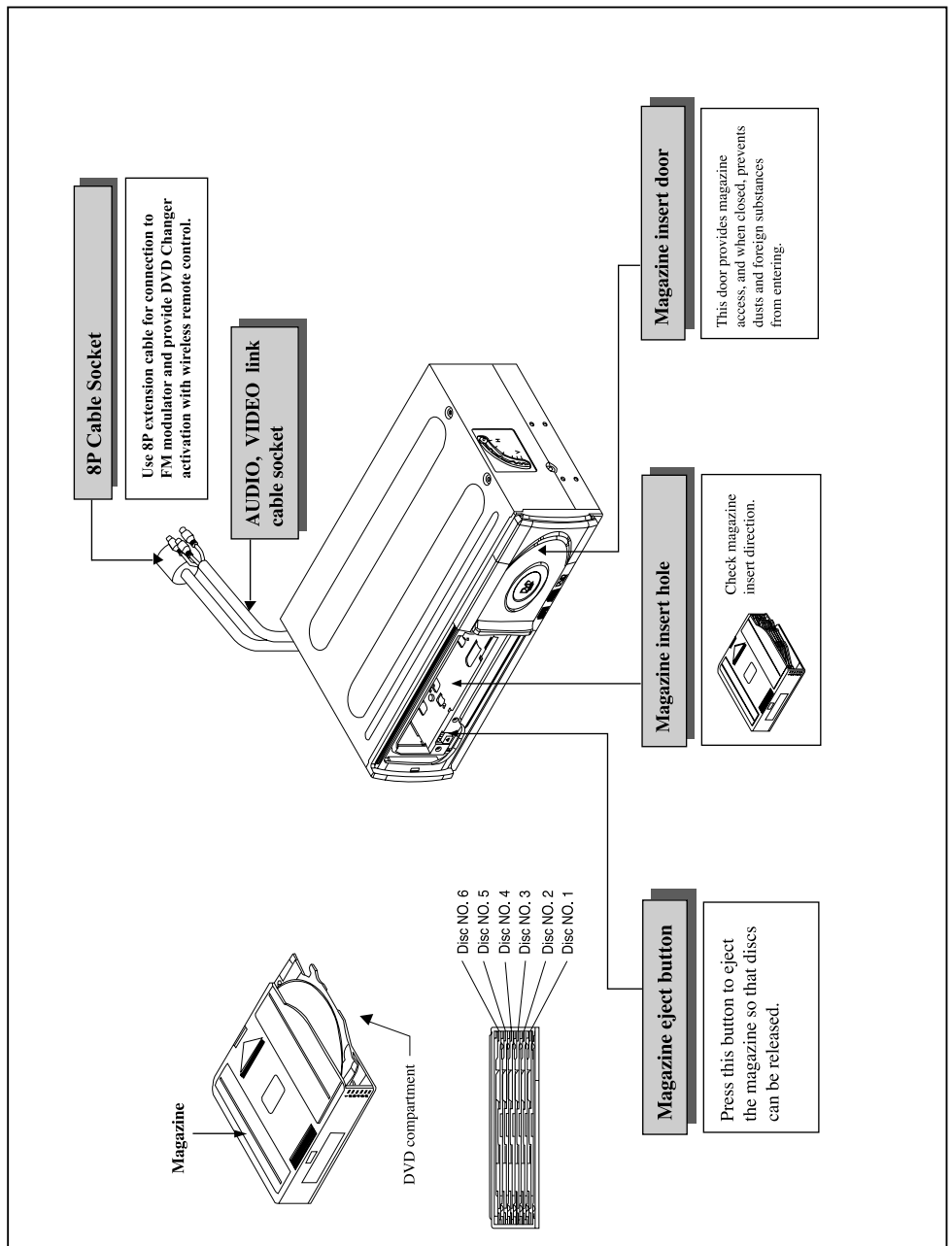


- Use Up/Dn cursor to select INITIALIZE, then RESET and press Enter button to initialize the setup menu.

Note.

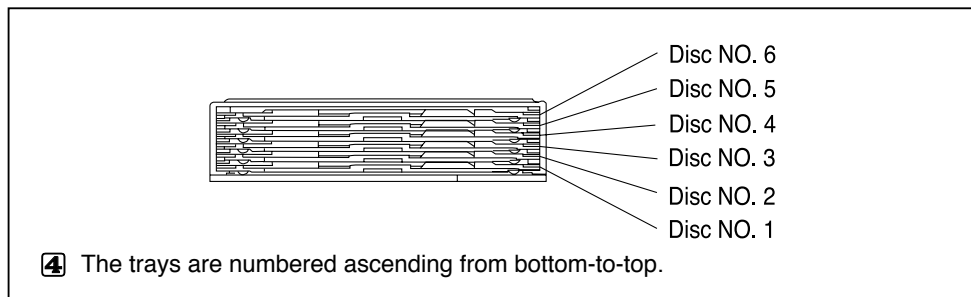
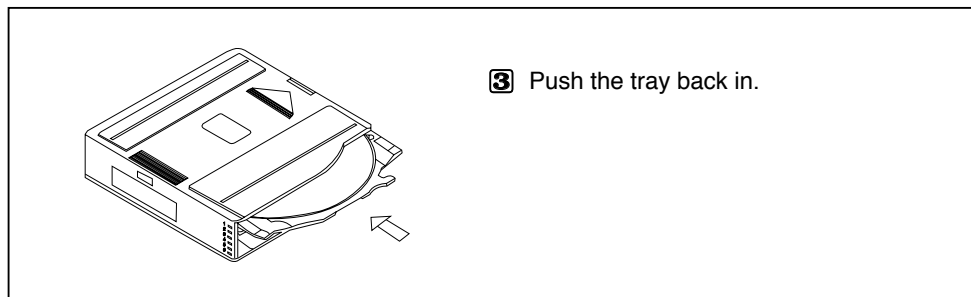
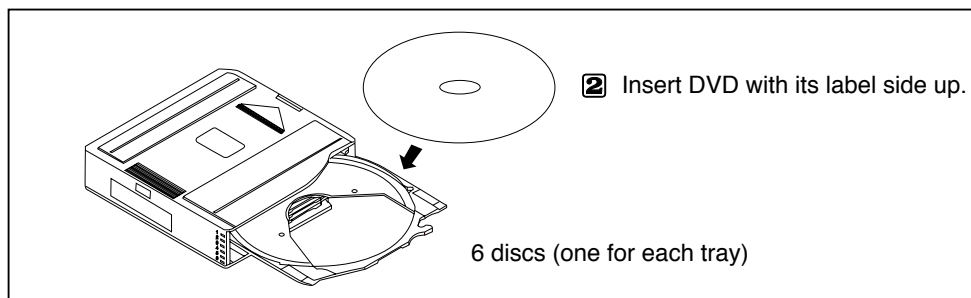
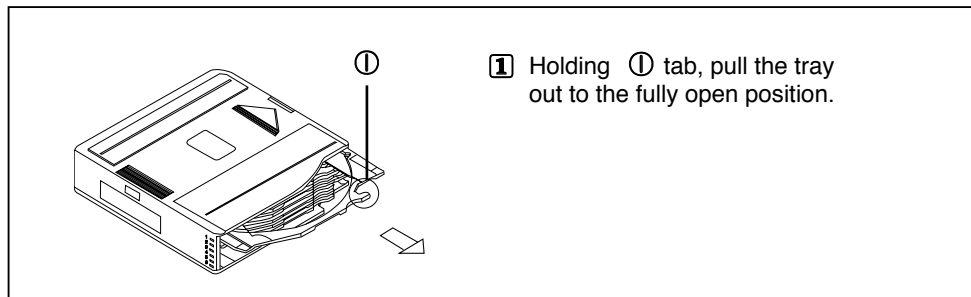
All settings except parental control and password will be restored to factory settings.

Names and functions of each unit



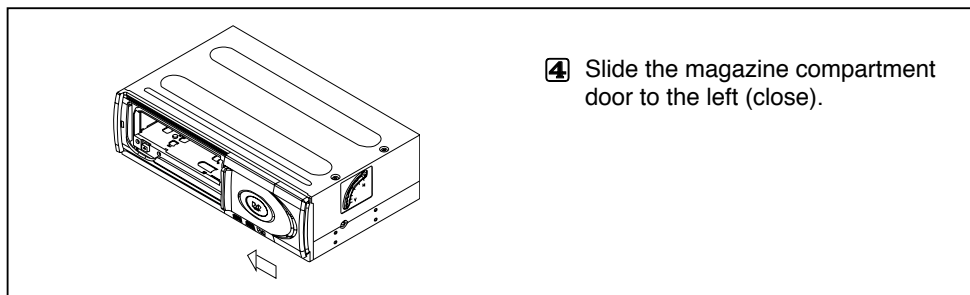
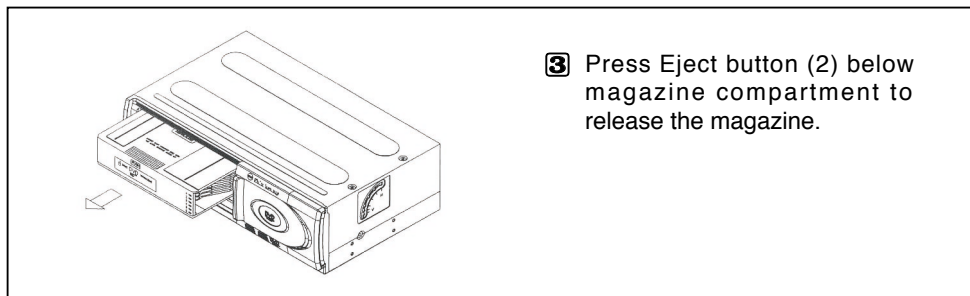
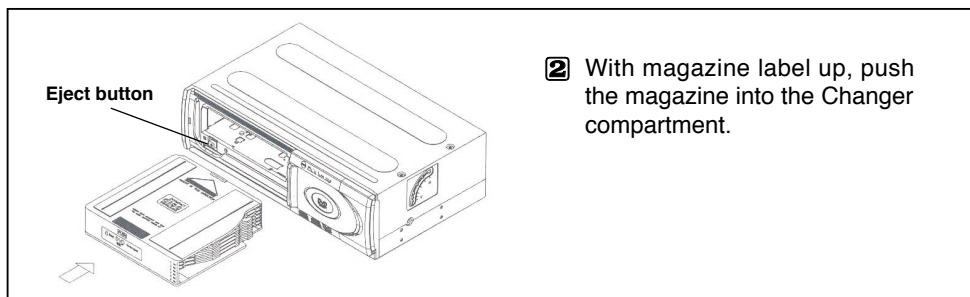
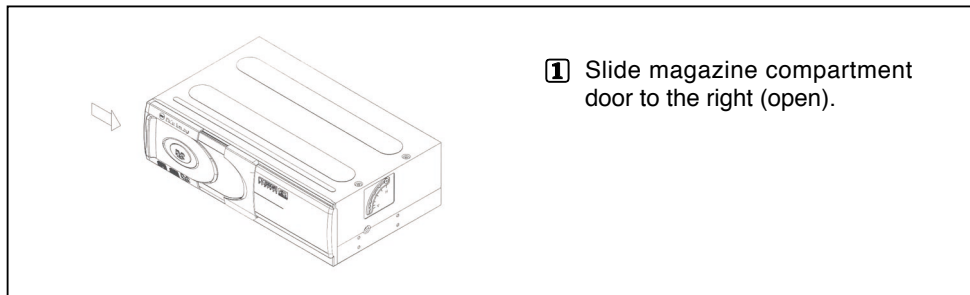
How to use the Magazine

■ How to insert DVD into magazine.



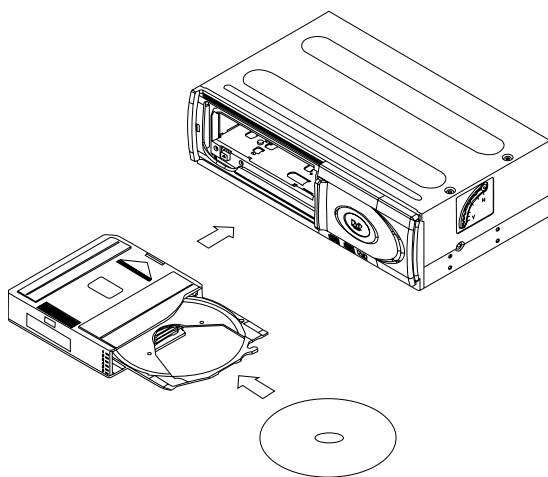
How to insert and eject the magazine

■ How to insert DVD into magazine.



Description about DVD CHANGER actions

- As previously explained, after proper connections insert a DVD into the magazine and then insert the magazine into DVD CHANGER. The DVD CHANGER then checks if a DVD is inserted and generates a 'click' sound.

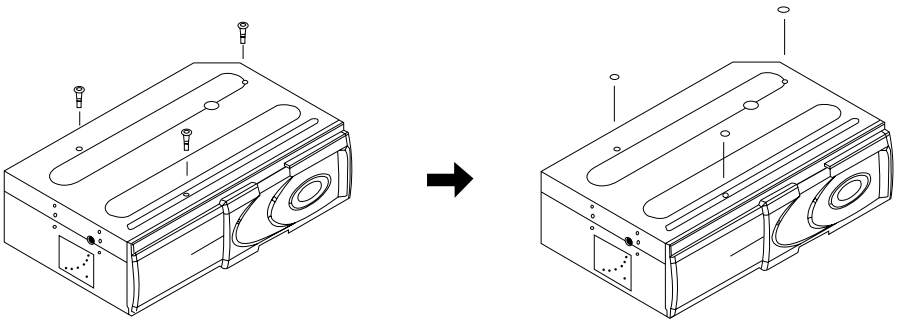


- 1 Use the supplied cables to interconnect the system. Refer to the associated manual for each product for details.

3 How to load

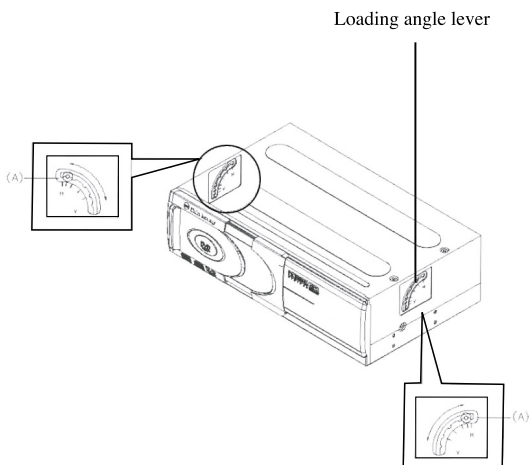
- Remove the transport screws.

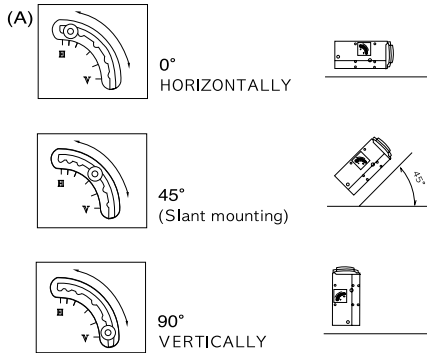
Remove 3 transport screws on the bottom of the unit that protect the device during transportation. Attach a cover label to the holes. Keep the screws for moving the main body in the future for service, etc.



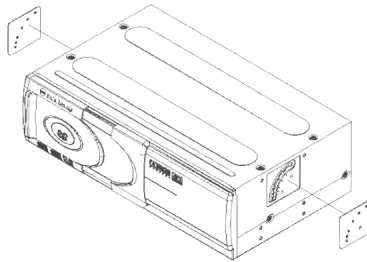
- Set the loading angle.

Set the loading angle (A) on each side to the desired position (0 degree; horizontal, 22.5, 45, 67.5 and 90 degrees:vertical)



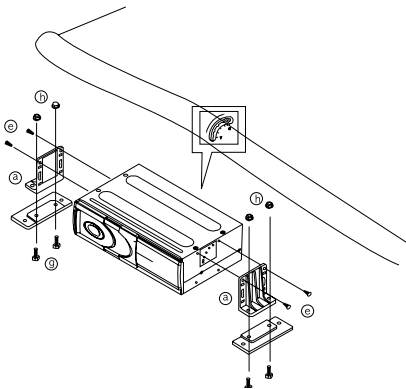


■ Attach cover tape over each adjustment lever after adjustment.

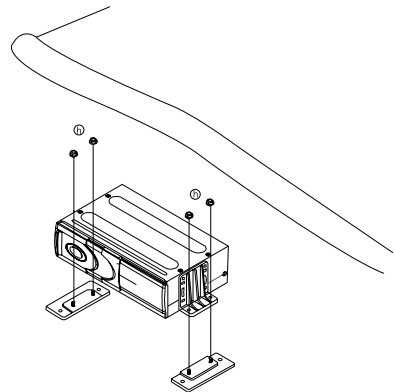


■ Horizontal installation

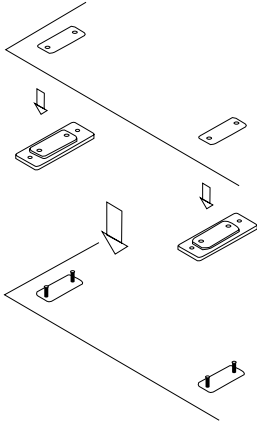
① Composition



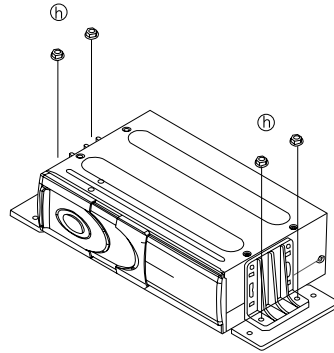
② Temporary removal



3 Punching the carpet



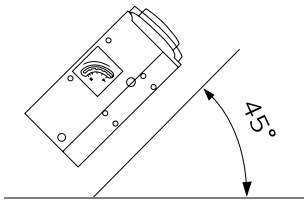
4 Final mounting



Note.
Refer to accessories for parts.

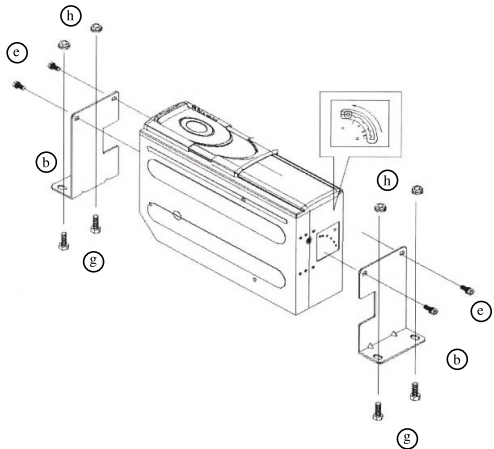
Slanted installation

Turn loading angle to 45 degree position.

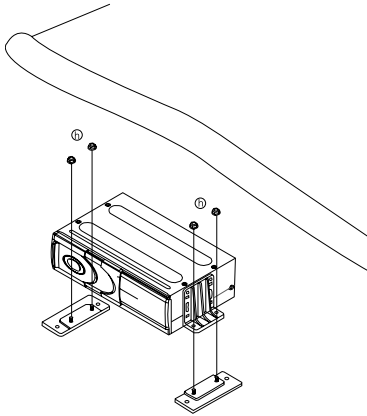


Vertical installation

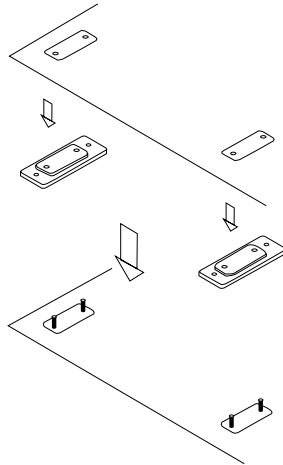
1 Composition



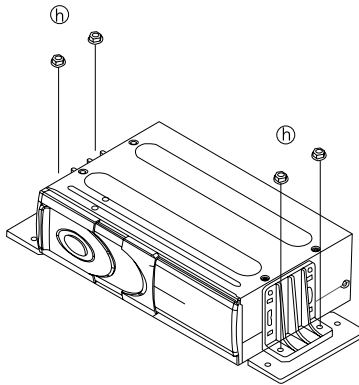
② Temporary removal



③ Punching the carpet



④ Final mounting



Note.

Refer to the accessories list for parts. Suspended installation (upper installation)

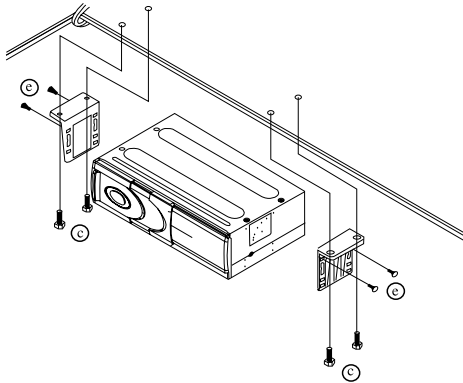
When installing the main body in the trunk under the rear window :

- Check if the main body can be suspended horizontally.
- The main body should not affect the torsion bar of the trunk lid.
- Select the loading position properly.

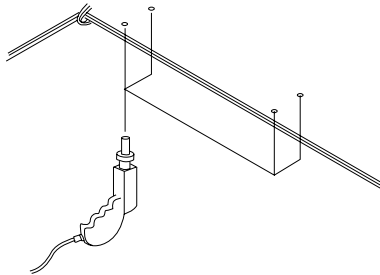
Note.

Ensure that no objects are present on the opposite side of the installation surface before punching holes.

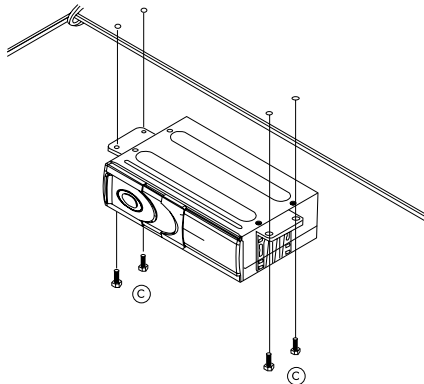
1 Composition



2 Punching



3 Completion



Note. Refer to the accessories for parts.

Trouble shooting 1(before returning DVD CHANGER to us)

Some troubles can be caused due to errors in the basic installation setup and interconnections. Please review the troubleshooting guide prior to returning the changer for service.

Trouble	Cause	Shooting
The power source cannot be turned on.	The fuse may be burnt. Power wires not correctly connected.	Replace the fuse. If the fuse is burnt again, refer it to your supplier. Check if the device is well connected.
The magazine cannot be installed.	Inserting method may not be correct.	Insert the magazine correctly.
Disc cannot be played.	The disc may not be inserted or it may be inserted up-side-down. The disc may be dirty. The battery voltage of your vehicle may be low. A disc which cannot be played by the device may be inserted. A DVD whose local number cannot be supported by the device may be inserted. An audio/video limiting functions may be activated to disable DVD. While TV format switch is set at NTSC, a disc recorded with PAL format may be inserted. While TV format is set at PAL, a disc recorded with NTSC format may be inserted.	Insert the disc with its labeled side upwards. Clean the disc, removing the dusts. Charge the battery. If the device does to work, please refer to your supplier. Make sure to use only disc with contents that are supported by this player. The local number of the device is "1". Use the DVD with the local region number of "1" or "ALL". Check the Parental levels at the setup menu. Check the TV signal format of the disc. Check the TV signal format of the disc.
When pressing a function button, a hand icon is displayed to disable the device.	The disc being played may not allows this function.	Only functions that are allowed by the contents of the disc can be used.
Poor color or tone quality of image	Brightness, tone or hue may not be set correctly.	Adjust brightness, color or hue on the monitor connected to the device.

<p>The image is displayed.</p>	<p>Brightness may be set lowest.</p> <p>The parking brake is released.</p> <p>The wire connection may be wrong.</p>	<p>Adjust the brightness adequately.</p> <p>If the parking brake is not released, the monitor linked to the front seat video output will not display the image.</p> <p>Check the connection.</p>
<p>No sound</p>	<p>Set the volume at the lowest.</p> <p>Wrong connection</p> <p>You may have set fast forwards or backwards play, pre-frame or slow play.</p>	<p>Adjust the volume of car stereo or monitor connected with the device.</p> <p>Check the connection.</p> <p>No sound will be generated during fast forwards or backwards play, pre-frame or slow play.</p>
<p>Poor sound or image quality</p>	<p>Filthy or scratched disc</p> <p>Vibration may occur at the position where the switcher is installed.</p> <p>Poor color or tone of the image</p>	<p>Clean the disc. Do not use a scratched disc.</p> <p>When the device vibrates, the sound may be interrupted. When vibration stops, the device will work normally.</p> <p>The monitor may have been aged or deteriorated.</p>
<p>The remote control will not work.</p>	<p>The LED transmitter of remote control may not aim at the receiver of the control sensor.</p> <p>The remote control may be far away from its sensor.</p> <p>The photo space between remote control and its sensor may be blocked.</p> <p>The battery may be discharged.</p> <p>The battery may not have been correctly inserted.</p>	<p>The photo emission point should aim at the photo receiver.</p> <p>The remote control should be used within 3 meters (10feet) from its sensor.</p> <p>Any obstruction should be cleared.</p> <p>Replace the battery.</p> <p>Check the polarity +/-) and insert the battery correctly.</p>

Troubleshooting 2(before returning DVD CHANGER to us)

Trouble	Cause	Shooting
The screen is not displayed.	The screen may not be included in the DVD being played.	The screen cannot be played.
No subtitles are displayed.	The subtitle may be set at "Off"	Select a subtitle to be played.
The screen will not disappear.	Only a single language may be included in the DVD being played. The DVD being played may prohibit the toggle between languages.	There will be no toggle among languages if multi-languages are not stored in the disc.
Voice or screen language selected cannot be used.	You may have selected a language that is not available in the DVD being played.	There will be no toggle between languages.
The image ratio selected at setup stage cannot be used.	You may have selected an image ratio not stored in the DVD being played.	You cannot switch to an image ratio not stored in the disc. In such a case, you cannot use the image ratios stored in the disc.
The angle cannot be changed.	Only a single angle may be included in the DVD being played or parts of an image may be stored for multi-angles. The DVD being played may prohibit angle change.	The angles cannot be changed for the disc or scene not stored for multi-angles. You cannot change the angle.
Device displays a message stating that this title cannot be played.	PARENTAL control is enabled and prohibits play of this DVD.	Check the PARENTAL control levels in the setup menu.
Video CD menu screen will not be displayed.	A video CD not compatible with PBC may be used.	Use a PBC-compatible video CD.

Specifications

■ PLAYER main body

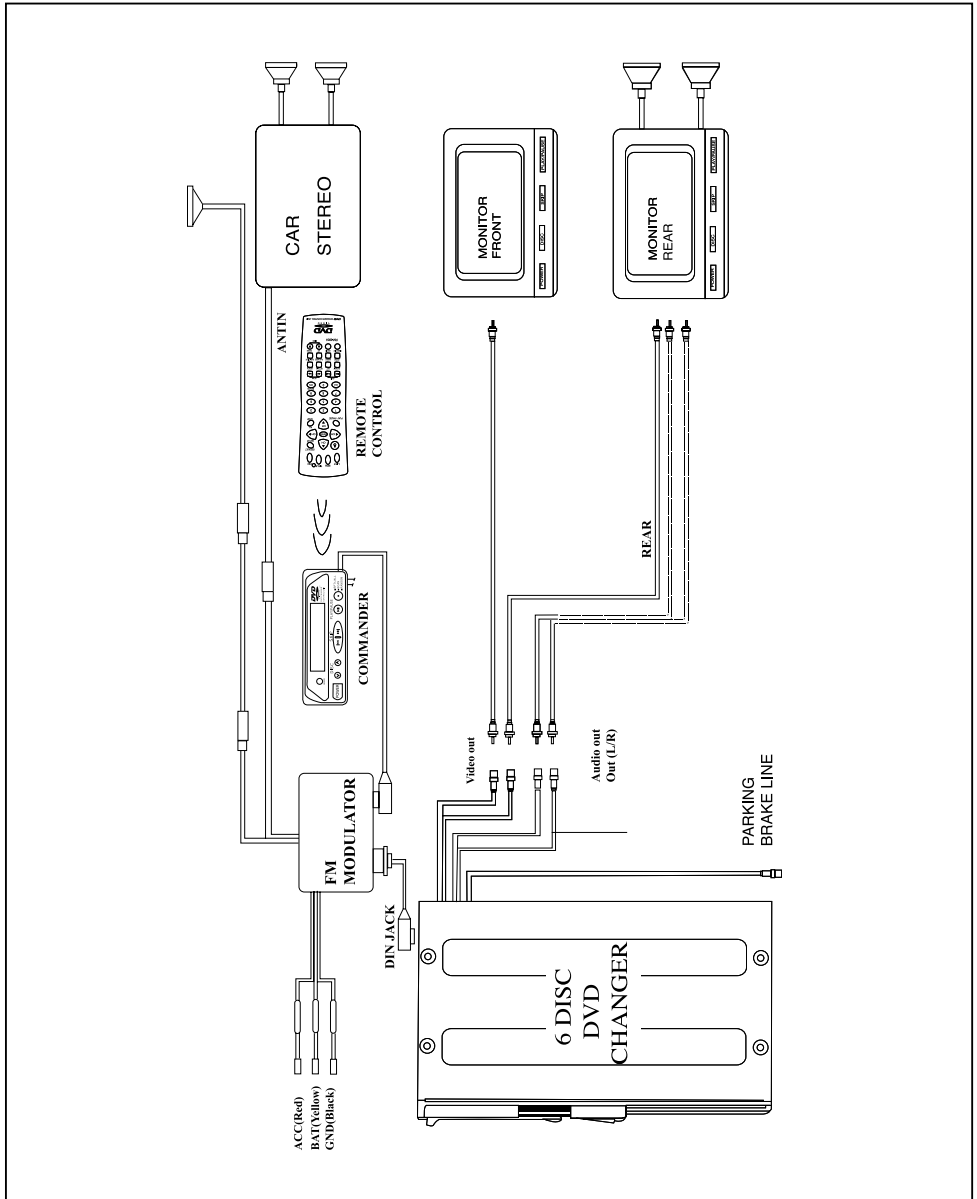
Type	6-disc DVD CHANGER
Local Region Code	1 (USA , CANADA)
Playable disc	Type : DVD, video CD, audio CD, MP3 Size : 5 inches(12cm)
TV signal format	NTSC color/PAL color (selectable)
Pickup	Photo semi-conductor laser (DVD:DPD, CD: 3-beam)
Channel	2-channel stereo, 5.1 channel (optical cable)
Frequency response	20 Hz~20kHz
Dynamic range	90dB
Signal/noise ratio	90dB
Total harmonic distortion	0.01%
Channel separation	85dB
Wow and flutter	Below measurement limit
Output level	1Vrms
Power requirement	DC 12V(Usually 14.4V)
Drain current	1A(Maximum)
Size (L × W × H)	About 255 × 168 × 76mm
Weight	About 2.2kg

■ FM modulator (option)

Size (L × W × H)	About 150 × 26 × 45mm
Weight	About 220g

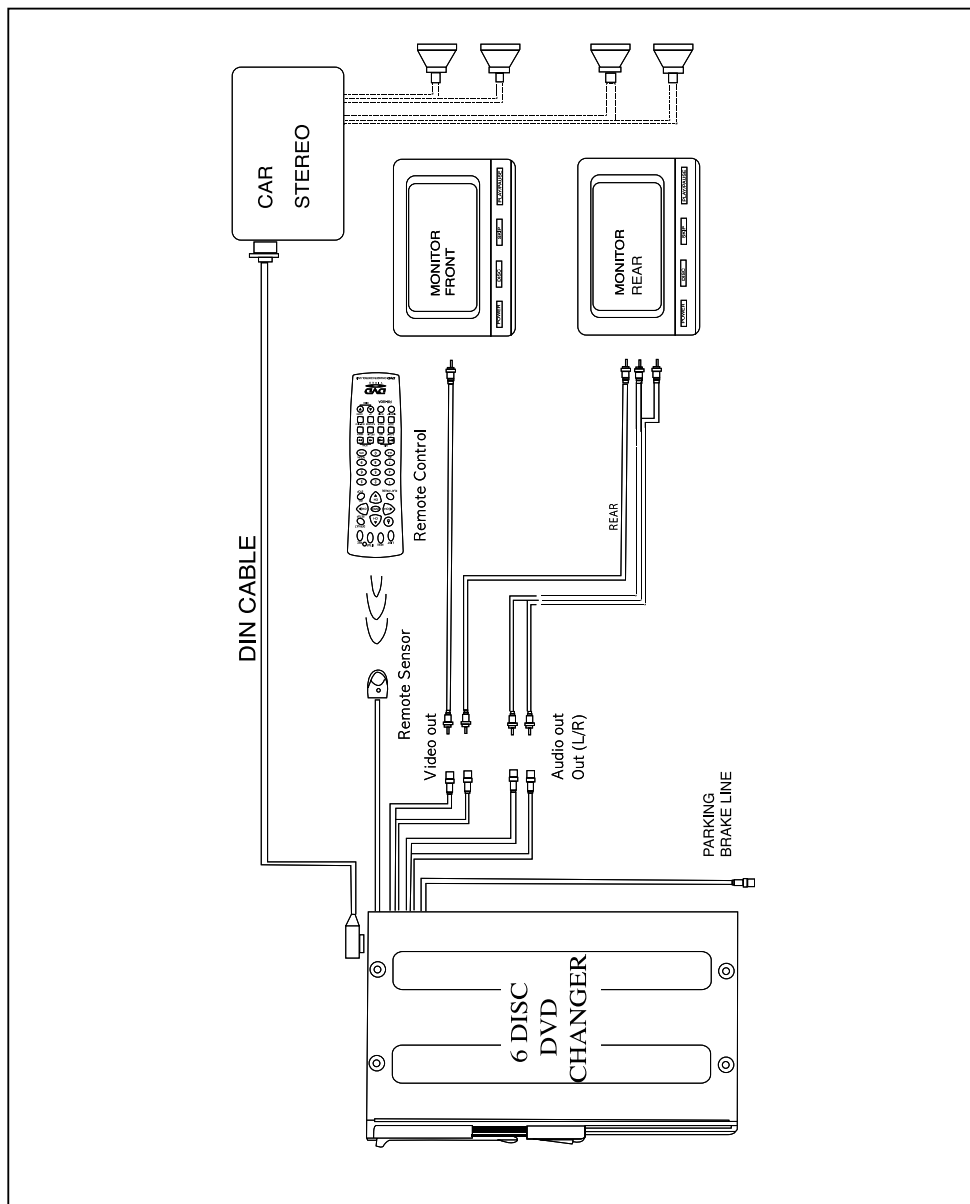
Wiring diagram

1 Wiring 1 FM MODULATOR TYPE CONNECTION



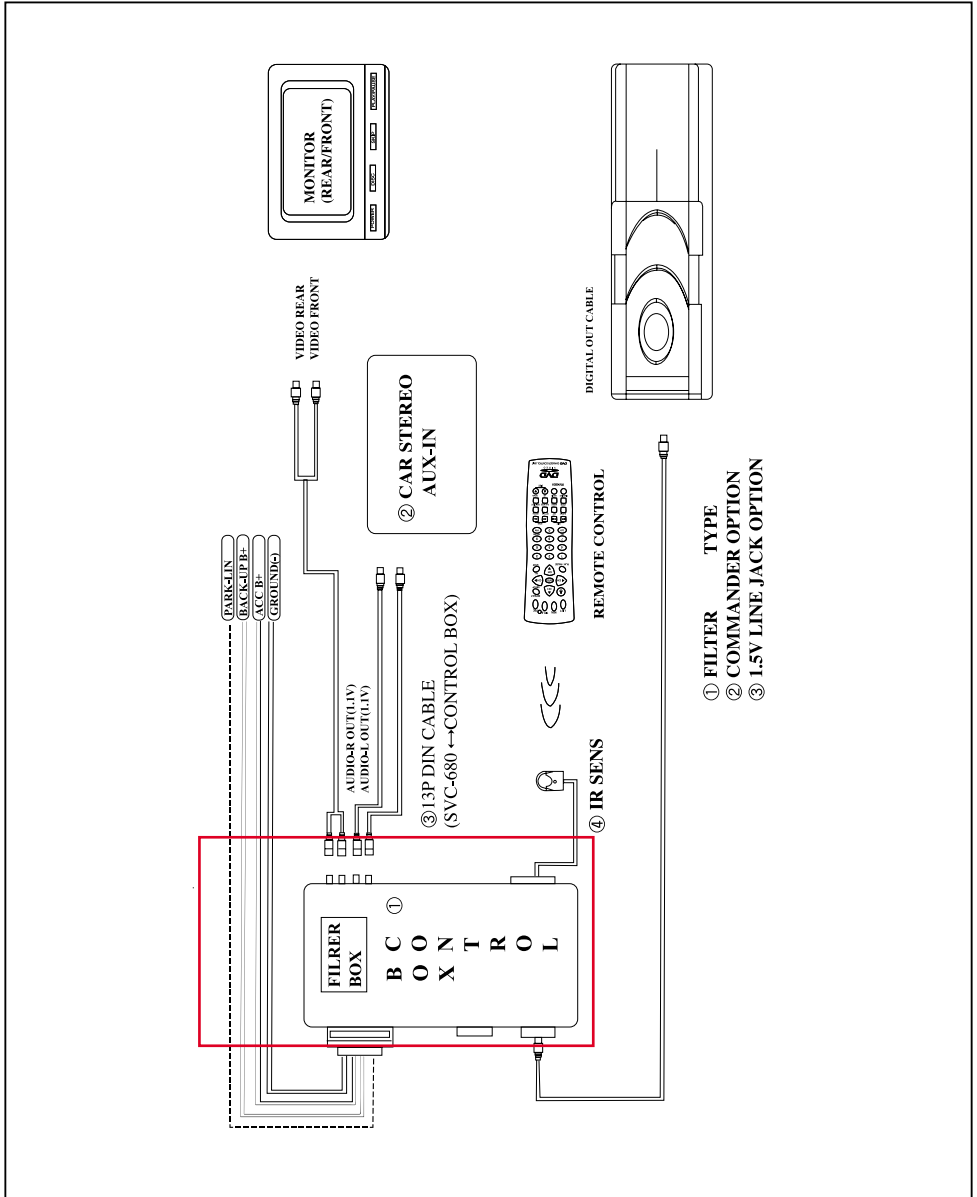
Wiring diagram

2 Wiring 2 HEAD UNIT/TYPE CONNECTION



Wiring diagram

3 Wiring 3 NO COMMUNICATION WITH HEAD UNIT.



PRINTED IN KOREA

Free Manuals Download Website

<http://myh66.com>

<http://usermanuals.us>

<http://www.somanuals.com>

<http://www.4manuals.cc>

<http://www.manual-lib.com>

<http://www.404manual.com>

<http://www.luxmanual.com>

<http://aubethermostatmanual.com>

Golf course search by state

<http://golfingnear.com>

Email search by domain

<http://emailbydomain.com>

Auto manuals search

<http://auto.somanuals.com>

TV manuals search

<http://tv.somanuals.com>