



AUDIOVOX®
ELECTRONICS CORP.

PAV-9



**MOTORIZED 7" IN-DASH
LCD COLOR MONITOR
WITH AM/FM STEREO RADIO**

Any changes or modifications in construction of this device that is not expressly approved by the party responsible for compliance could void the user's warranty.



WARNING

The exclamation point within an equilateral triangle and “WARNING” are intended to alert the user to the presence of important operating instructions. Failure to heed the instruction will result in severe injury or death

DO NOT WATCH VIDEO WHILE DRIVING

Watching the video may distract the driver from looking ahead of the vehicle and cause an accident.

DO NOT OPERATE ANY FUNCTION THAT TAKES YOUR ATTENTION AWAY FROM SAFELY DRIVING YOUR VEHICLE

Any function that requires your prolonged attention should only be performed after coming to a complete stop. Always stop the vehicle in a safe location before performing these functions. Failure to do so may result in an accident.

DO NOT DISASSEMBLE OR ALTER

Attempts to disassemble or alter may lead to an accident, fire and/ or electric shock.

KEEP SMALL ARTICLES OUT OF THE REACH OF CHILDREN

Store small articles (screws etc.) in places not accessible to children. If swallowed, consult a physician immediately.

USE THE CORRECT AMPERE RATING WHEN REPLACING FUSES

Replace fuses only with fuses of the same ampere rating. Failure to do so may result in a fire and / or damage to the vehicle.

HALT USE IMMEDIATELY IF A PROBLEM APPEARS

When problems appear, stop using the system immediately and contact the dealer from whom you purchased the equipment.



CAUTION

The exclamation point within an equilateral triangle and “CAUTION” are intended to alert the user to the presence of important operating instructions. Failure to heed the instruction can result in injury or material damage.

DO NOT RAISE THE VOLUME EXCESSIVELY

Keep the volume at a level where you can still hear outside noises while driving. Driving while unable to hear outside could cause an accident.

DO NOT USE THIS EQUIPMENT OUTSIDE THE VEHICLE

Do not use this equipment for purposes other than those listed for a vehicle. Failure to do so may result in an electric shock or an injury.

KEEP FOREIGN OBJECTS OUT OF THE MONITOR COMPARTMENT

Keep foreign objects out of the monitor compartment. Also, avoid placing your hands in the area where it might interfere with the monitor's operation.

STOP THE VEHICLE BEFORE CARRYING OUT ANY OPERATION THAT COULD INTERFERES WITH YOUR DRIVING.

If the operation of this unit (such as raising or lowering of the monitor, etc) interferes with your driving, stop the vehicle in a safe location before attempting operation.

DO NOT MIX WITH BATTERIES WITH OLD BATTERIES. INSERT WITH THE CORRECT BATTERY POLARITY

Do not mix new batteries with old batteries and do not replace with other than specified batteries. When inserting the batteries, be sure to observe proper polarity (+ and -) as instructed. Battery rupture or chemical leakage can cause and injury or equipment malfunctions.



CAUTION

The exclamation point within an equilateral triangle and “CAUTION” are intended to alert the user to the presence of important operating instructions. Failure to heed the instruction can result in injury or material damage.

Operation of some of the functions of this unit is very complex. Because of this, it was deemed necessary to place these functions into a special SETUP screen. This will restrict operation of these functions to times when the vehicle is parked. This ensures the focus of the driver’s attention will be on the road and not on the unit. This has been done for the safety of the driver and passengers.

TEMPERATURE

Be sure the temperature inside the vehicle is between +60 (+140 F) AND -5 C (+23F) before turning your unit on.

FUSE REPLACEMENT

When replacing the fuses, the replacement must be the same amperage as shown on the fuse holder. If the fuse(s) blow more than once, carefully check all electrical connections for shorted circuitry. Also have your vehicle voltage regulator checked.

MAINTENANCE

If you have problems, do not attempt to repair the unit yourself. Return it to an authorized dealer or service center.

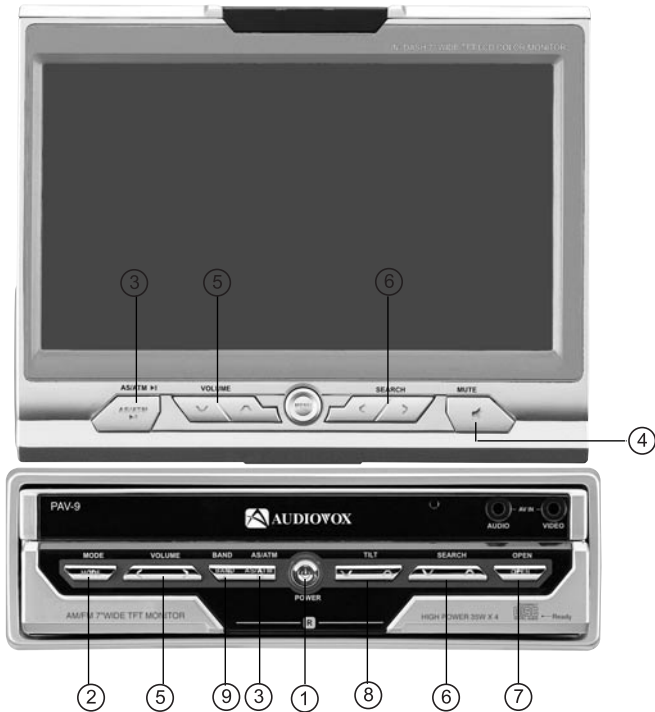
INSTALLATION LOCATION

Make sure the unit will not be exposed to:

- ▶ Direct sun & heat
- ▶ High humidity
- ▶ Excessive dust
- ▶ Excessive vibrations

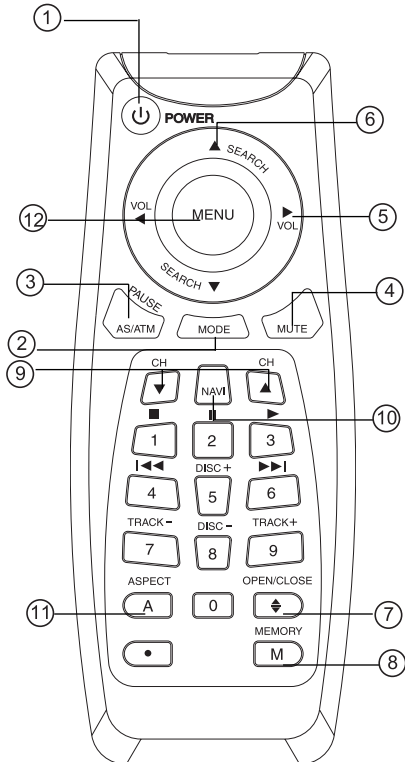
INTRODUCTION

MONITOR



- ① POWER ON/ OFF BUTTON
- ② MODE SELECTION BUTTON
- ③ AS/ATM BUTTON
- ④ SOUND MUTE BUTTON
- ⑤ VOLUME UP/DOWN ADJUST BUTTON
- ⑥ SEARCH UP/DOWN BUTTON
- ⑦ OPEN/CLOSE BUTTON
- ⑧ TILT UP/DOWN BUTTON
- ⑨ BAND SELECTION BUTTON

REMOTE CONTROL



- ① POWER ON/ OFF BUTTON
- ② MODE SELECTION BUTTON
- ③ AS/ATM BUTTON
- ④ SOUND MUTE BUTTON
- ⑤ VOLUME UP/DOWN ADJUST BUTTON
- ⑥ SEARCH UP/DOWN BUTTON
- ⑦ OPEN/CLOSE BUTTON
- ⑧ MANUAL MEMORY BUTTON
(MENU IN TV MODE)
- ⑨ CHANNEL UP/DOWN BUTTON
- ⑩ NAVIGATION BUTTON
- ⑪ ASPECT BUTTON
- ⑫ MENU SELECTION BUTTON

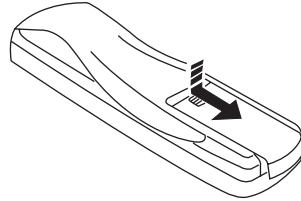
REMOTE CONTROL UNIT

Replacing battery

Applicable battery : Use two “AAA” sized dry batteries.

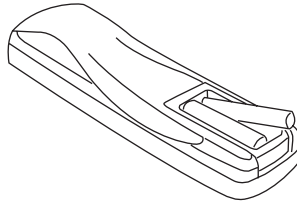
1. Opening the battery cover.

Push and slide the cover in the arrow direction, and the cover will be removed.



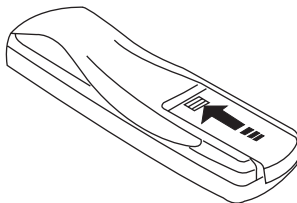
2. Replacing the battery.

Remove the old batteries. Insert new ones matching the (+) and (-) polarities as shown in the diagram inside the unit.



3. Closing the cover.

Push the cover in the arrow direction until a click is heard.



POWER ON / OFF

PASSWORD



1. POWER ON

- 1) Press the POWER button to turn the power on and the monitor will open. When the monitor is opened, it requires a password as pictured above. Press the number button of the remote control to input "0000" and then the last mode will be displayed.
- 2) You can also turn the power on by pressing the OPEN/CLOSE button. The power will turn on and the monitor will open.

2. POWER OFF

- 1) Press the POWER button again to turn the power off.
- 2) If you turn the power off by pressing the POWER button with the monitor open, the monitor will close. If the car key is pulled out, or the OPEN/CLOSE button is pressed the monitor will be automatically closed.

OPENING THE MONITOR

Press OPEN/CLOSE button or power button and then the monitor will open.

NOTE

If the OPEN/CLOSE button is pressed when the monitor is closed and the power is off, the monitor will open and the power will turn on.

TO CHANGE PASSWORD

1. Press the menu button repeatedly while in radio mode or AV mode until the volume menu is selected. The monitor displays following picture.

VOLUME MENU

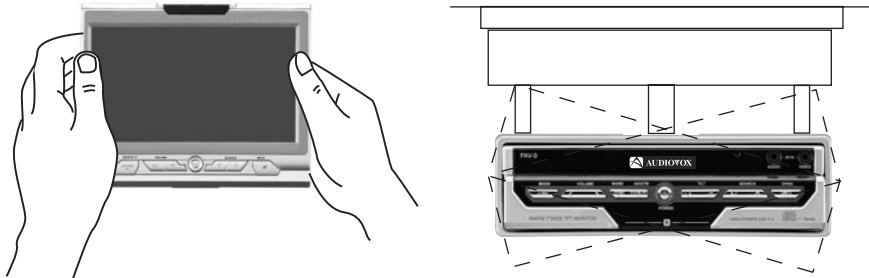


1. Press the search up/down button to select "password" to change the password.
2. Press the number buttons of the remote control to enter a new 4 digit password.

NOTE

If you forgot password, contact the dealer from whom you purchased the equipment.

CLOSING THE MONITOR



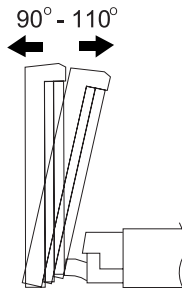
1. Hold the left and right upper side of the monitor and set the left and right angle of the monitor parallel with the front of the unit as the picture above.
2. Press OPEN/CLOSE button or power button then the monitor will be closed.

NOTE

1. If the left and right angle of the monitor is not parallel to the front of the unit, the monitor cannot be closed.
2. If the OPEN/CLOSE button is pressed while radio or video is on, the monitor will be closed. But the sound will stay on. Press the POWER button to turn the sound off.

ADJUSTING THE TILT POSION.

1. Press the MENU button repeatedly on the radio or remote until the USER SELECT menu is displayed.
2. Press the SEARCH UP/DOWN button to select TILT POSITION.
3. Press the VOLUME ◀ or ▶ button. Each time you press the VOLUME ◀ or ▶ button, the monitor will slant forward or backward on step. This tilt position can be adjusted in 4 steps. For more information, see page 21 of owner's manual.

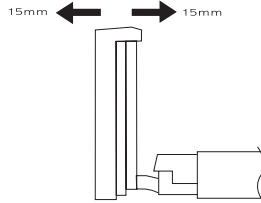


NOTE

You can also adjust TILT position by pushing the TILT UP/DOWN button on the unit. Each time you press the TILT UP/DOWN button, the monitor slants backward or forward one step. The tilt position can be adjusted in 4 steps.

ADJUSTING THE SLIDE POSITION

1. Press the MENU button repeatedly on the radio or remote until the USER SELECT menu is displayed.
2. Press the SEARCH UP/DOWN button to select MOVE
3. Press the VOLUME ► button to select FORWARD. The monitor will slide one step (.6" to the left.
4. Press the VOLUME ◀ button to select BACKWARD. The monitor will slide one step (.6") to the back. For more information, see page 21 of owner's manual.



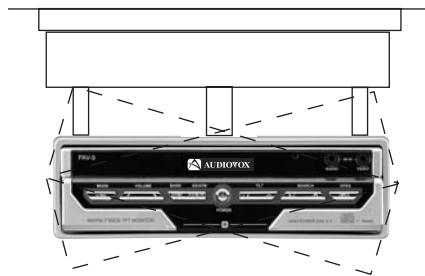
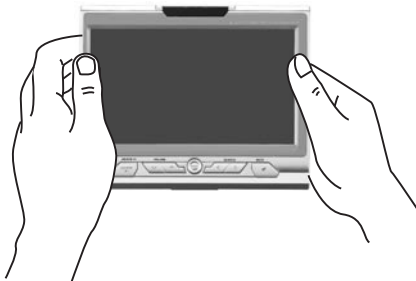
NOTE : The screen must be in tilt position 1 or 2 to allow the backward + forward adjustment.

1. If the VOLUME ► button is pressed when FORWARD is selected, the monitor will not slide to the front.
2. If the VOLUME ◀ button is pressed when BACKWARD is selected, the monitor will not slide to the back.

ADJUSTING THE LEFT/RIGHT VIEWING POSITION

The monitor left/right position can be adjusted for easier viewing by hand operating.

- 1) Hold the left and right upper side of the monitor and adjust the monitor angle for the desired viewing angle.
- 2) The monitor must be returned to the locked position before closing the monitor.



SELECTING MODE

Press the MODE button to select the desired mode. Each time you press the button, the mode changes as follows.

RADIO -> AV1 -> AV2 -> AV3 (CD/DVD CHANGER) -> AV4 (TV)



NOTE

1. AV3 has only a video input.
2. The CD/DVD changer must be connected to the 8 pin DIN socket on the rear of the unit with 8 pin DIN cable in our CD or DVD changer gift box.
3. The video output of CD or DVD changer must be connected to the AV3 video input. If the video output of changer is not connected to AV3 video input, AV3 video input can be used for a video input of another video source.

ADJUSTING VOLUME

Press the VOLUME ◀ or ▶ button to adjust the volume level.

AUDIO MUTE

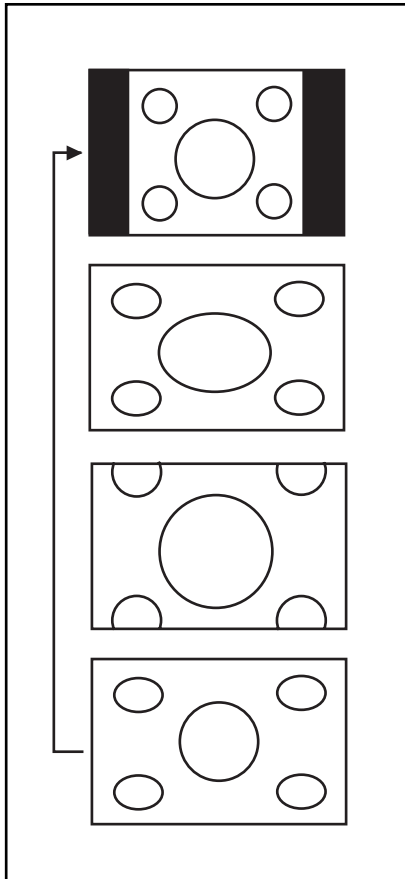
Press the MUTE button to mute the audio. Press the MUTE button or the volume ◀ or ▶ again to return to the previous audio level.

RESET

1. If the unit does not seem to be working right, press the RESET switch with a pencil or other pointed object. The RESET switch is mounted behind the small hole on the upper right of the front face, to the left of the AUDIO INPUT jack.
2. If the RESET switch is pressed, the power will turn off, press the POWER button to turn the power on.
3. If reset does not solve the problem, consult your installer.

ADJUSTING THE TV/VIDEO PICTURE MODE (ASPECT)

Each time you press A (ASPECT) button, the picture mode switches between Normal, Full, Zoom and Wide.



NORMAL MODE

The monitor displays normal picture at the center of the screen with the proportion of 4 to 3. The screen shows a vertical black belt at each side.

FULL MODE

The monitor displays normal picture wider by stretching out horizontally with the proportion of 16 to 18.

ZOOM MODE

The monitor displays normal picture wider by stretching out horizontally and vertically with the proportion of 4 to 3. The screen doesn't show upper and down part of the picture slightly.

WIDE MODE

The monitor displays normal picture wider by unevenly stretching out horizontally with the proportion of 16 to 9. The stretching proportion is bigger toward each side of the picture.

NOTE

You can also select the picture mode manually by pressing the function button on the unit as follows.

1. Press the MODE button to select radio mode.
2. Press the MENU button repeatedly until RADIO SUB MENU is selected.
3. Press the SEARCH UP/DOWN button to select SCREEN.
4. Press the VOLUME ◀ or ▶ button to select the desired picture mode.

RADIO CONTROL

Press the OPEN/CLOSE button to turn the power on and open the monitor. The monitor shows following picture

RADIO SUB MENU



NOTE

1. Each time you press the MENU button on RADIO MAIN MENU screen, the menu on the screen changes as follows.

RADIO SUB -> VOLUME -> USER SELECT -> PICTURE -> RADIO MAIN



2. You can select the items on each menu by pressing the SEARCH UP/DOWN button.
3. You can adjust the level of the selected items by pressing the VOLUME UP/DOWN button.

MANUAL TUNING

Press the CH UP/DOWN button to move downward or upward one step respectively until the desired station frequency is selected.

MANUAL STORING OF STATION

1. Tune in the desired radio station you wish to store on the CH number.
2. Press the M (MEMORY) button to store the desired radio station. The station will be selected into the next CH number of the last CH number previously stored station.
3. Up to 30 radio stations can be stored in each band. FM 1 : 30, FM 2 : 30, AM 1 : 30, AM 2 : 30 stations (total 120 stations).

AUTO MEMORY OF STATION

1. Press the AS/ATM button for at least 2 seconds. The frequency on the display continues to change while the auto memory is in progress. The tuner will automatically seek and can store up to 30 stations in each band in order of frequency signal. They can be stored in FM 1 : 30, FM 2 : 30, AM 1 : 30 and AM 2 : 30 stations (total 120 stations).
2. When the auto memory has been completed, the tuner goes to the station stored in the CH no. 1.

NOTE

In DISC CHANGER mode, you can pause or playback the current CD/DVD by pressing the AS/ATM button.

TUNING TO A STORED STATION

Press the SEARCH UP/DOWN button repeatedly until the desired station is selected.

SELECTING FREQUENCY STEP FOR YOUR COUNTRY

1. Press the MENU button on radio mode. The monitor shows following picture.

RADIO SUB MENU



2. Press the SEARCH UP/DOWN button to select RADIO BAND.
3. When RADIO BAND is selected, press CH UP/DOWN button to select the radio band area (EUROPE or USA) for your county. Each time you press the CH UP/DOWN button, the band switches as EUROPE -> USA



RADIO BAND

1. Press the SEARCH UP/DOWN button to select RADIO BAND.
2. When RADIO BAND is selected, press the VOLUME ◀ or ▶ button, the band switches as follows.

FM 1 -> FM 2 -> AM 1 -> AM 2



3. You can also select the band by pushing the BAND button on the unit. Each time you press the BAND button, the band switches as follows.

FM 1 -> FM 2 -> AM 1 -> AM 2



TREBLE

1. Press the SEARCH UP/DOWN button to select TREBLE.
2. Press the VOLUME ◀ or ▶ button to adjust treble level.

BASS

1. Press the SEARCH UP/DOWN button to select BASS.
2. Press the VOLUME ◀ or ▶ button to adjust bass level.

SUB WOOFER

1. Press the SEARCH UP/DOWN button to select SUB WOOFER.
2. Press the VOLUME ◀ or ▶ button to adjust sub woofer level.

LOUDNESS

1. Press the SEARCH UP/DOWN button to select LOUDNESS.
2. Press the VOLUME ◀ or ▶ button to adjust loudness level.

SETTING THE NAVIGATION

1. Connect a NAVIGATION system to the AV1 or AV2 input terminals on the rear of the unit.
2. Press the MODE button to select radio mode.
3. Press the MENU button to select following picture.

RADIO SUB MENU



4. Press the SEARCH UP/DOWN button to select NAVIGATION.
5. Press the VOLUME ◀ or ▶ button to select AV1 or AV2 that NAVIGATION system is connected to. Each time you press this button, AV input changes as follows.

AV1 -> AV2 -> OFF



WATCHING THE NAVIGATION PICTURE

Press the NAVI button on the remote. The monitor will display the navigation picture only and the Navigation announcement will not be heard.

The previously selected audio source will continue to play. However rear monitors (if connected) will still display whatever you were watching before you pressed the NAVI button.

If Navigation is selected on the Radio menu as pictured above, the monitor and rear monitors (if connected) show the Navigation picture and the Navigation announcement will be heard.

You are not able to watch and listen to whatever you were watching or listening to before you selected Navigation on the Radio menu.

SETTING THE CAMERA IN

1. Connect a back up camera video output to the AV1,2 or 3 video input terminals on the rear of the unit.
 - * When the DVD changer is connected to AV3 video input, the rear view camera can be connected only to AV1 or AV2 video input.
2. Press the MODE button to select radio mode.
3. Press the MENU button to select following picture.



4. Press the SEARCH UP/DOWN button to select CAMERA IN.
5. Press the VOLUME ◀ or ▶ button to select AV1,2 or 3 mode that rear view camera is connected. Each time you press this button, AV input changes as
 AV1 -> AV2 -> AV3 -> OFF
6. Press the CH ▼ or ▲ button to see either the normal display or 180° reversed display.

WATCHING THE BACK VIEW PICTURE

When the vehicle is put in reverse, the monitor displays the back up camera picture.

WIRING CONNECTION

Connect orange color connection wire named “REVERSE GEAR” to a switched power output terminal of the R (reverse) gear. See page 26 : BASIC CONNECTIONS.

NOTE

If AV input connected to the rear view camera is selected with the MODE button, the monitor does not show the rear view camera picture. The monitor shows only the WARNING picture.

CD/DVD CHANGER CONTROL

When a CD or DVD changer is connected to this unit with the 8 pin DIN cable, AV3 mode will change to DISC CHANGER mode and the DISC CHANGER control menu is displayed on the screen.

1. Press the MODE button to select DISC CHANGER (AV3) mode. Each time you press this button, the display changes as follows.

RADIO -> AV1 -> AV2 -> AV3 (CD or DVD CHANGER) -> AV4 (TV)

2. When DISC CHANGER (AV3) mode is selected, the monitor displays the following picture.



3. Press the SEARCH UP/DOWN button to select an item.
4. Press the CH UP/DOWN button to adjust the level of the selected item. You can also adjust the level upward by pushing the BAND button on the unit.

NOTE

1. Each time the MENU button is pressed on DISC CHANGER mode, the menu displayed on the screen changes as follows.

DISC CHANGER -> VOLUME -> USER SELECTOR -> PICTURE -> OSD OFF

2. CD or DVD changer must be connected to the 8 pin DIN socket on the rear of the unit with the 8 pin DIN cable in CD/DVD changer gift box.
3. The video output of DVD changer must be connected to the AV3 video input.

CD/DVD STATUS

This shows the current CD/DVD status (DISK CHECK, SEEK, PLAY, ETC)

PLAY TIME

This shows playing time of the disc being played.

DISC NUMBER

1. Press the SEARCH UP/DOWN button to select DISC NUMBER.
2. Each time you press the CH UP button, the disc next in the CD/DVD changer will be selected and the displayed disc number increases by one.
3. Each time you press the CH DOWN button, the previous disc in the CD/DVD changer will be selected and the displayed disc number decreases by one.

TRACK NUMBER

1. Press the SEARCH UP/DOWN button to select TRACK NUMBER.
2. Each time you press CH UP button, the next track will be selected and the displayed track number increases by one.
3. Each time you press CH DOWN button, the previous track will be selected and the displayed track number decreases by one.

INTRO SCAN

1. Press the SEARCH UP/DOWN button to select INTRO SCAN.
2. Press the CH UP/DOWN button to select the item.
Each time you press the CH UP/DOWN button or the BAND button, the item changes as ONE -> ALL -> OFF

↑

ALL : The first 10 seconds of first track of all the discs will be played in succession.
ONE : The first 10 seconds of each track of the selected disc will be played in succession.
OFF : INTRO SCAN will be off.

REPEAT

1. Press the SEARCH UP/DOWN button to select REPEAT.
2. Press the CH UP/DOWN button or the BAND button to select the item.
Each time you press the CH button, the item changes as ONE -> ALL -> OFF

↑

ALL : All the tracks on the current disc will be played repeatedly.
ONE : The selected track on the current disc will be displayed repeatedly.
OFF : REPEAT will be off.

RANDOM

1. Press the SEARCH UP/DOWN button to select RANDOM.
2. Press the CH UP/DOWN button or the BAND button to select the item.
Each time you press the CH button, the item changes as ONE -> ALL -> OFF

↑

ALL : The tracks on all the discs in the CD/DVD changer will be displayed in random order.
ONE : All the tracks on the current disc will be played in random order.
OFF : RANDOM will be off.

PAUSE

Press the AS/ATM button to pause playback. Press the button again to resume playback.

DIRECT CD/DVD CHANGER CONTROL

In the DISC CHANGER mode, you can directly control CD/DVD changer functions just by pressing the buttons on the remote control of the monitor unit.

- STOP ■ button : To make the playing of the disc stop.
- PAUSE || button : To stop the playing of the disc. Press again to play again.
- PLAY ► button : To make the disc play.
- REW I◀◀ button : To scan backward until you reach the desired section of the track.
- FF ►► | button : To scan forward until you reach the desired section of the track.
- DISC + button : To search forwards through the discs in the CD/DVD changer until you reach the desired disc.
- DISC - button : To search backwards through the discs in the CD/DVD changer until you reach the desired disc.
- TRACK ►► button : To search forwards through the tracks on the disc until you reach the desired track.
- TRACK ◀◀ button : To search backwards through the tracks on the disc until you reach the desired track.

NOTE

1. The AS/ATM button on the remote control can be used as the PAUSE button.
2. When the DISC CHANGER mode is selected again after switching the CD/DVD changer mode to other modes or the power of the monitor unit is turned on again after turned it off, the disc starts at the last played position.
3. When the ignition is switched on again after the car key is pulled out while in CD/DVD changer mode, the disc plays at the beginning of the track last played.

VOLUME ADJUSTMENT OF EACH CHANNEL

You can adjust the volume level of each channel of the radio or AV sources connected to this unit.

ADJUSTING THE VOLUME OF EACH CHANNEL

1. Press the MENU button repeatedly on radio or AV mode until VOLUME MENU is selected. The monitor shows following picture.



2. Press the SEARCH UP/DOWN button to select the audio channel that you want to adjust.
3. Press the VOLUME ◀ or ▶ button to adjust the volume level of the selected audio channel.

DEFAULT

1. Press the SEARCH UP/DOWN button to select DEFAULT.
2. Press the VOLUME ◀ or ▶ button select ON or OFF.

Each time you press the VOLUME ◀ or ▶ button, the display changes as follows.

ON -> OFF

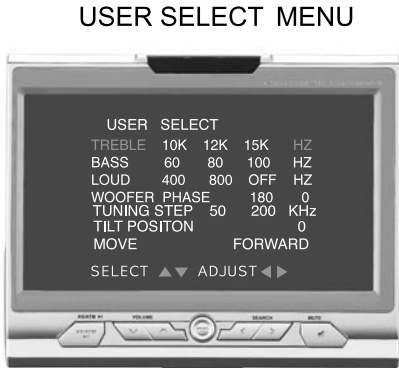


FINE ADJUSTMENT FOR CENTER FREQUENCY AND TILT/SLIDE POSITION

1. Press the MENU button when the monitor shows following picture.



The monitor shows following picture



2. Press SEARCH UP/DOWN button to select the items that you want to adjust.
3. Press the VOLUME ◀ or ▶ button to adjust the level of the selected item.

1. Press the MENU button when the monitor shows following picture.

VOLUME MENU



The monitor shows following picture

USER SELECT MENU



2. Press SEARCH UP/DOWN button to select the items that you want to adjust.
3. Press the VOLUME ◀ or ▶ button to adjust the level of the selected item.

SELECTING COLOR/SOUND SYSTEM

1. Press the SEARCH UP/DOWN button to select COLOR SYSTEM for the video source on PICTURE mode.

PICTURE MENU



2. Press the VOLUME ◀ or ▶ button to select PAL or NTSC for the video source.

NOTE

To select the color system for the TV when the TV tuner box is connected to the AV4 input of this unit,

1. Select color system (PAL or NTSC) for the video source COLOR SYSTEM on PICTURE menu on radio mode first.
2. Select color and sound system again at COLOR SYSTEM on FUNCTION menu on TV mode. For more information, see page 5 & 6 "COLOR & SOUND SYSTEM" in owner's manual for the TV tuner.

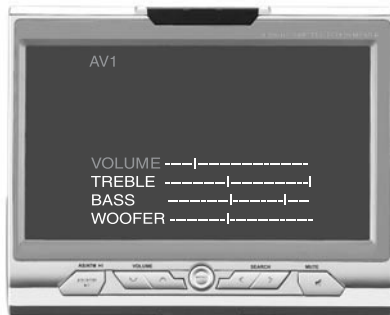
NOTE

If the monitor displays the picture in black & white color, select the color system again for the video source.

VOLUME CONTROL ON AV MODE

To adjust audio level of AV system on AV mode.

1. Press the VOLUME ◀ or ▶ button. The monitor shows following picture.



2. Press SEARCH UP/DOWN button to select the items that you want to adjust.
3. Press the VOLUME ◀ or ▶ button to adjust the audio level of the selected item.

NOTE

1. Each time the MENU button is pressed on AV1,2 or 3 mode, the menu is selected as follows.

VOLUME -> USER SELECTOR -> PICTURE



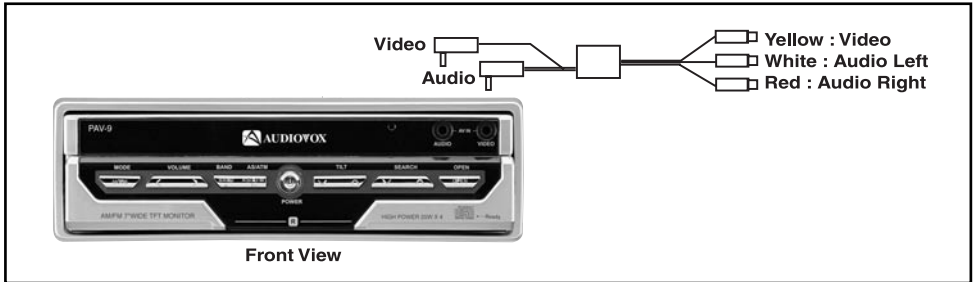
2. You can select the items on each menu by pressing the SEARCH UP/DOWN button,
3. You can adjust the level of the selected items by pressing the VOLUME ◀ or ▶ button.

WARNING SCREEN

The monitor shows following warning picture when the parking brake is not set or when driving to prevent accidents that may be caused while watching the screen. The monitor shows the warning picture only and does not show any other pictures, but you can enjoy the sound only by adjusting the volume.



AV INPUT FACE PLATE OF THE UNIT



NOTE

3.5mm AV input on the front face of the unit is same input with AV1 input on the rear of the unit. If the sources are not connected to both input terminals, the front 3.5mm input has priority over the AV1 input.

PRECAUTIONS

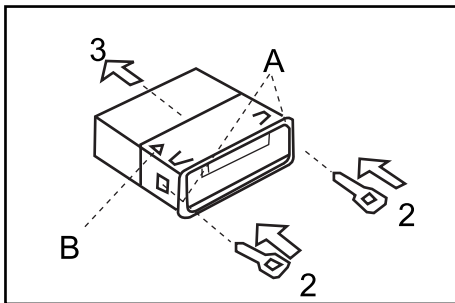
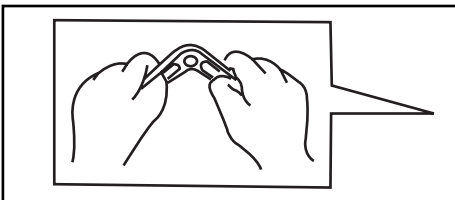
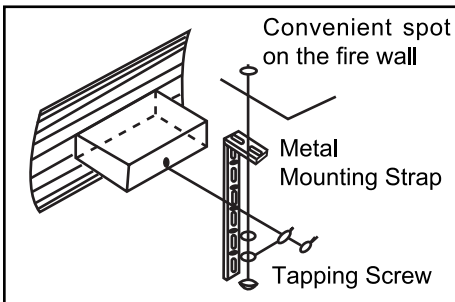
Choose the mounting location carefully so that the unit will not interfere with the normal driving functions of the driver. Avoid installing the unit where it would be subject to high temperatures, such as from direct sunlight or hot air from the heater or where it would be subject to dust, dirt or excessive vibration. Use only the supplied mounting hardware for a safe and secure installation.

MOUNTING ANGLE ADJUSTMENT

Adjust the mounting angle to less than 20° .

MOUNTING EXAMPLE

Installation in the dashboard



STRAP

Be sure to use the strap to secure the back of the unit in place. The strap can be bent by hand to the desired angle.

HOLDER

After inserting the holder into the dashboard, select the appropriate tabs according to the thickness of the dashboard material and bend them inwards to secure the holder in place.

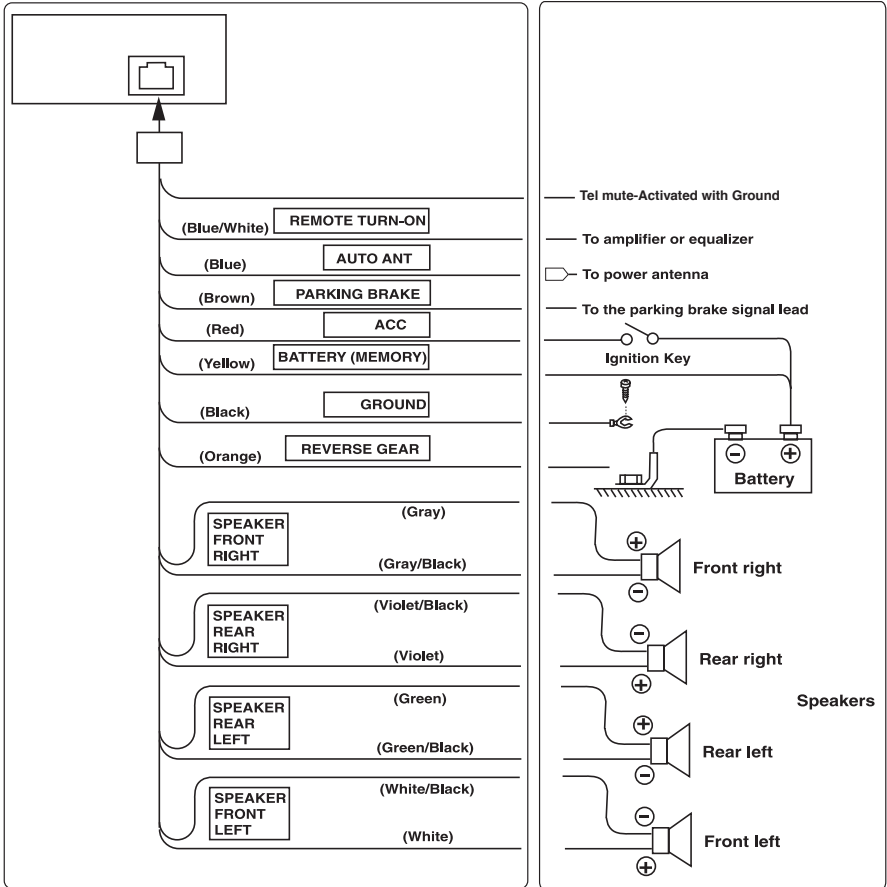
HOW TO DETACH THE MOUNTING FRAME

1. Insert release keys into the slots A.
2. Remove the frame B from the unit.

NOTE

Keep the release keys in the safe place, as you may need it in the future to remove the unit from the car.

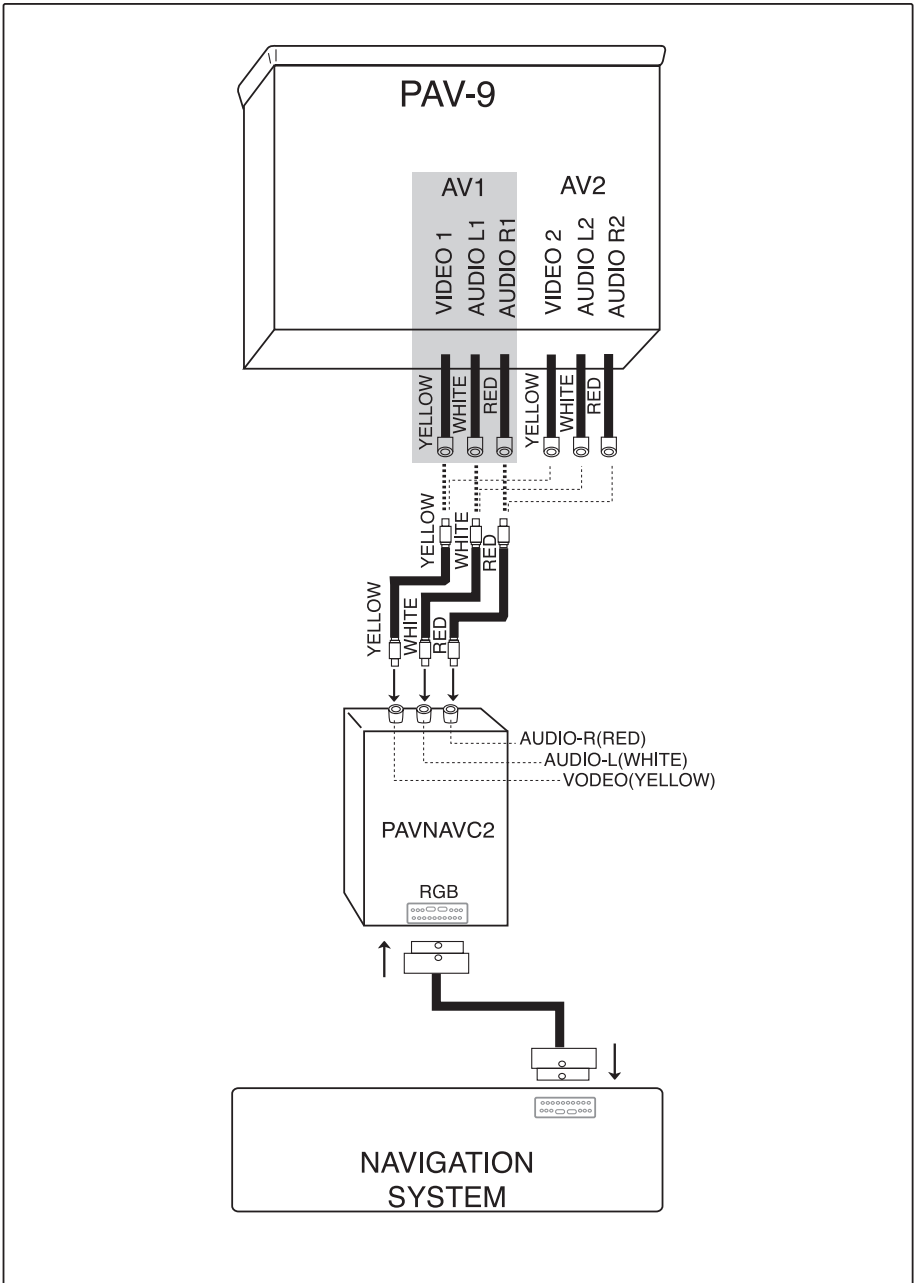
BASIC CONNECTIONS



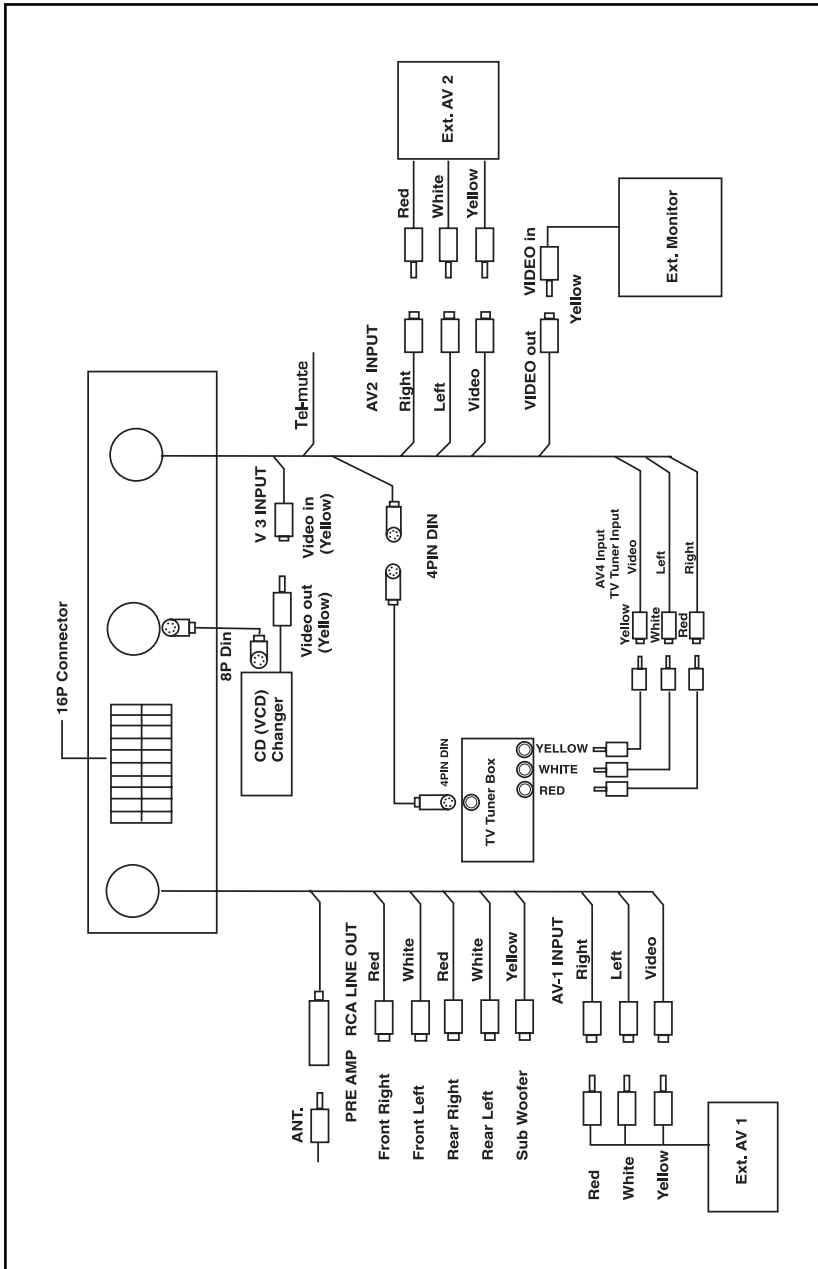
NOTE

1. Be sure that the PARKING SENSOR WIRE must be grounded or opened. If it is connected to ACC (B+), the unit can be damaged.
2. Do not ground the POWER ANTENNA or REMOTE TURN ON wire. If it is grounded, the unit can be damaged.

CONNECTING PAVNAVC2 TO NAVIGATION & PAV-9



CONNECTING TO CD CHANGER AND TV TUNER BOX



SPECIFICATIONS

AM SECTION

USA BAND Frequency Range	530 ~ 1710 Khz
Frequency Step	10 Khz
EUROPEAN BAND Frequency Range	522 ~ 1620 Khz
Frequency Step	9 Khz
Intermediate Frequency	450 Khz
Usable Sensitivity	32 dB
Image Rejection Ratio	45 dB
IF Rejection Ratio	100 dB

FM SECTION

Frequency Range	87.5 ~ 108 MHZ
Frequency Step Manual Tuning	50 KHZ
Seek Tuning	100 KHZ
Intermediate Frequency	10.7 MHZ
Usable Sensitivity	12 DB
Image Rejection Ratio	45 DB
IF Rejection Ratio	60 DB

CD CHANGER

Signal/Noise Ratio	>80 DB
Frequency Response	20 KHZ ~ 20 KHZ
Channel Separation	>60 DB
D/A Converter	16 BIT/CH

AMPLIFIER

Total Max Power	140 WATTS PEAK
Power Output	35W X 4

GENERAL

Power Supply	DC 14.4 V (11V~15V)
Polarity	Negative Ground Only
Speaker Impedance	4 ~ 8 Ω
Fuses	Fast Blow (1A and 10A)
Dimensions	178 (W) x 50 (H) x 155 (D)mm
Weight Net	2.5 Kgs
Gross	3.5 Kgs



12 MONTH LIMITED WARRANTY

Applies to Audiovox Video products

AUDIOVOX ELECTRONICS CORPORATION (the Company) warrants to the original retail purchaser of this product that should this product or any part thereof, under normal use and conditions, be proven defective in material or workmanship within 12 months from the date of original purchase, such defect(s) will be repaired or replaced with reconditioned product (at the Company's option) without charge for parts and repair labor.

To obtain repair or replacement within the terms of this Warranty, the product is to be delivered with proof of warranty coverage (e.g. dated bill of sale), specification of defect(s), transportation prepaid, to the Company at the address shown below.

This Warranty does not extend to the elimination of externally generated static or noise, to correction of antenna problems, to costs incurred for installation, removal or reinstallation of the product, or to damage to tapes, discs, speakers, accessories, or electrical systems.

This Warranty does not apply to any product or part thereof which, in the opinion of the Company, has suffered or been damaged through alteration, improper installation, mishandling, misuse, neglect, accident, or by removal or defacement of the factory serial number/bar code label (s). THE EXTENT OF THE COMPANY'S LIABILITY UNDER THIS WARRANTY IS LIMITED TO THE REPAIR OR REPLACEMENT PROVIDED ABOVE AND, IN NO EVENT, SHALL THE COMPANY'S LIABILITY EXCEED THE PURCHASE PRICE PAID BY PURCHASER FOR THE PRODUCT.

This Warranty is in lieu of all other express warranties or liabilities. ANY IMPLIED WARRANTIES, INCLUDING ANY IMPLIED WARRANTY OF MERCHANTABILITY, SHALL BE LIMITED TO THE DURATION OF THIS WRITTEN WARRANTY. ANY ACTION FOR BREACH OF ANY WARRANTY HEREUNDER INCLUDING ANY IMPLIED WARRANTY OF MERCHANTABILITY MUST BE BROUGHT WITHIN A PERIOD OF 30 MONTHS FROM DATE OF ORIGINAL PURCHASE. IN NO CASE SHALL THE COMPANY BE LIABLE FOR ANY CONSEQUENTIAL OR INCIDENTAL DAMAGES FOR BREACH OF THIS OR ANY OTHER WARRANTY, EXPRESS OR IMPLIED, WHATSOEVER. No person or representative is authorized to assume for the Company any liability other than expressed herein in connection within the sale of this product.

Some states do not allow limitations on how long an implied warranty lasts or the exclusion or limitation of incidental or consequential damage so the above limitations or exclusions may not apply to you. This Warranty gives you specific legal rights and you may also have other rights, which vary from state to states.

U.S.A : AUDIOVOX ELECTRONICS CORP, 150 MARCUS BLVD., HAUPPAUGE, NEW YORK 11786 *1-800-645-4994

CANADA : CALL 1-800-645-4994 FOR LOCATION OF WARRANTY STATION SERVING YOUR AREA.

WARNING

DO NOT HOLD THE LCD SCREEN PANEL WHILE IT IS OPENING OR CLOSING UNTIL IT IS COMPLETELY OPENED OR CLOSED. OTHERWISE, THE MOTORIZED MECHANISM WILL BE DAMAGED.

BEFORE WORKING THE UNIT, READ THE OWNER'S MANUAL CAREFULLY AND FOLLOW UP THE INSTRUCTIONS IN IT. ALWAYS WORK THE UNIT WITH THE REMOTE CONTROLLER OR THE FUNCTION BUTTONS ON THE UNIT. OTHERWISE, THE UNIT CAN BE DAMAGED.

Free Manuals Download Website

<http://myh66.com>

<http://usermanuals.us>

<http://www.somanuals.com>

<http://www.4manuals.cc>

<http://www.manual-lib.com>

<http://www.404manual.com>

<http://www.luxmanual.com>

<http://aubethermostatmanual.com>

Golf course search by state

<http://golfingnear.com>

Email search by domain

<http://emailbydomain.com>

Auto manuals search

<http://auto.somanuals.com>

TV manuals search

<http://tv.somanuals.com>