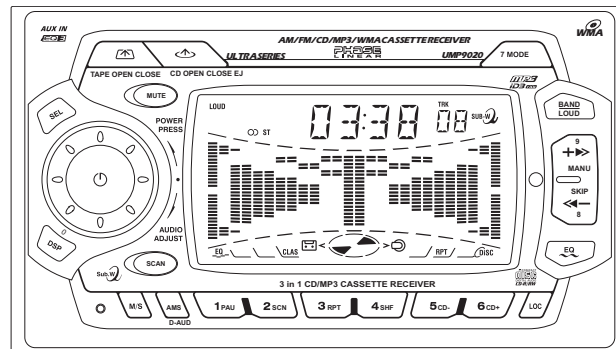


PHASE LINEAR

UMP9020

Owner's Manual/Manual del Usuario/Manual de L'Utilisateur



AM/FM/CD/MP3/WMA Cassette Receiver

Receptor Casete AM/FM/CD/MP3/WMA

Ampli-Syntoniseur Cassette AM/FM/CD/
MP3/WMA

PREPARATION

Getting Started

It's a good idea to read all of the instructions before beginning the installation.

Contents

Installation Instructions.....	3
Wiring	4
Operating Instructions	5
CD Player Operation	9
MP3/WMA Player Operation	12
Tape Player Operation.....	14
CD Changer Controls	15
Wireless Remote Control Operation.....	16
Care and Maintenance	17
Specifications	18
90 Day Limited Warranty.....	19

Installation Requirements

This unit is designed for installation in cars, trucks, and vans with an existing radio opening. In many cases, a special installation kit will be required to mount the radio to the dashboard. These kits are available at electronics supply stores and car stereo specialty shops. Always check the kit application before purchasing to make sure the kit works with your vehicle. If you need a kit but cannot locate one, call our

customer support line at 1-800-323-4815. (U.S.A. and Canada only.)

Tools and Supplies

The following tools and supplies are needed to install the radio.

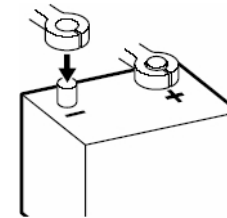
- Torx type, flathead and Philips screwdrivers
- Wire cutters and strippers
- Tools to remove existing radio (screwdriver, socket wrench set or other tools)
- Electrical tape
- Crimping tool
- Volt meter/test light
- Crimp connections
- 18 gauge wire for power connections
- 16-18 gauge speaker wire

Speaker Requirements

Only connect speakers rated with a load impedance of 4 ohms. Speakers with a load impedance of less than 4 ohms could damage the unit.

Disconnect Battery

Before you begin, disconnect the battery negative terminal.



Toll-Free Installation Assistance

If you require assistance, contact Technical Support at 1-800-323-4815 from 8:30 a.m. to 7:00 p.m. EST Monday through Friday and from 9:00 a.m. to 5:00 p.m. EST on Saturday. (U.S.A. and Canada only.)

INSTALLATION INSTRUCTIONS

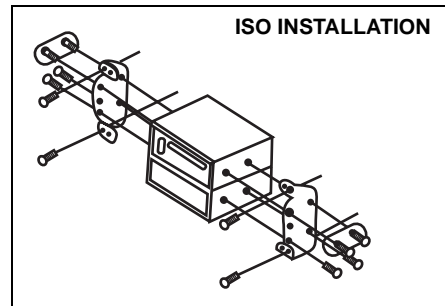
ISO Installation

This unit is designed to fit into a 2.0 DIN dashboard opening, found in many imported cars. The unit has threaded holes in the chassis side panels which may be used with the original factory mounting brackets of some Toyota, Nissan, Mitsubishi, Isuzu, Hyundai and Honda vehicles to mount the radio to the dashboard. Please consult with your local car stereo specialty shop for assistance on this type of installation.

1. Remove the existing factory radio from the dashboard or center console mounting. Save all hardware and brackets as they will be used to mount the new radio.
2. Carefully unsnap the plastic frame from the front of the new radio chassis. Remove and discard the frame.
3. Remove the factory mounting brackets and hardware from the existing radio and attach them to the new radio.

CAUTION: Do not exceed M5 X 6 MM screw size. Longer screws may touch and damage components inside the chassis.

4. Place the radio in front of the dashboard opening so the wiring can be brought through the mounting sleeve. Follow the wiring diagram carefully and make certain

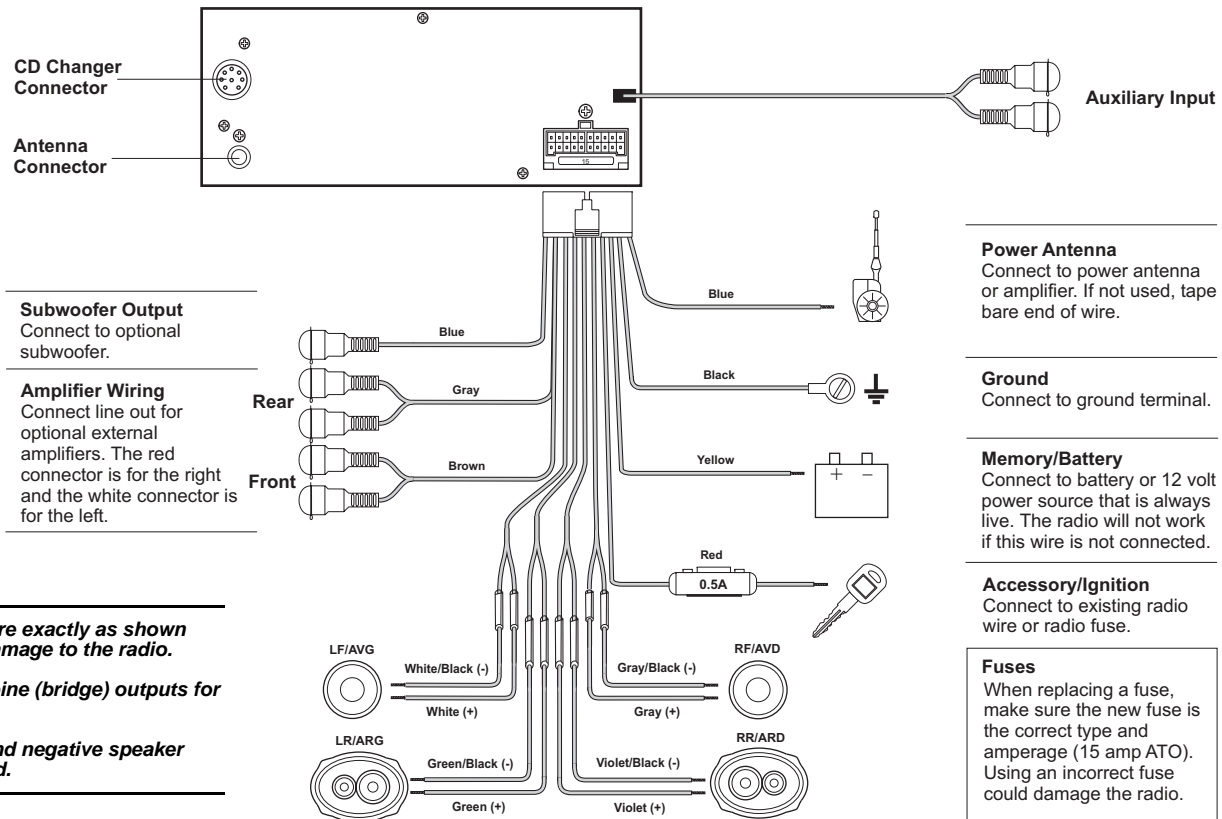


- all connections are secure and insulated with wire nuts or electrical tape. After completing the wiring connections, plug the 14-pin connector into the mating socket on the rear of the chassis, attach the front panel, and turn the unit on to confirm operation (vehicle ignition switch must be "on"). If the unit does not operate, re-check all wiring until the problem is corrected.
5. Mount the new radio assembly to the dashboard or center console using the reverse procedure in step 1.

CAUTION: The support strap must be used to prevent damage to the dashboard from the weight of the radio or improper operation due to vibration.

CAUTION: For proper operation of the CD player, the chassis must be mounted within 20° of horizontal. Make sure the unit is mounted within this limitation.

WIRING



CAUTION: Failure to wire exactly as shown may cause electrical damage to the radio.

WARNING! Never combine (bridge) outputs for use with 1 speaker.

WARNING! Never ground negative speaker leads to chassis ground.

OPERATING INSTRUCTIONS

① Power On/Off Button

Press the **POWER** button (1) to turn the unit on and off when the vehicle ignition switch is on. If the radio is off when the ignition switch is turned off, the **POWER** button must be pressed to turn the radio on after the ignition switch is turned on. If the ignition switch is turned off while the radio is on, the radio will come on automatically when the ignition switch is again turned on.

② Liquid Crystal Display Panel

The Liquid Crystal Display (LCD) panel displays the frequency, time and all activated functions. The display contains a color-coded graph that provides a visual representation of the signal level, represented by the number and amplitude of the segments.

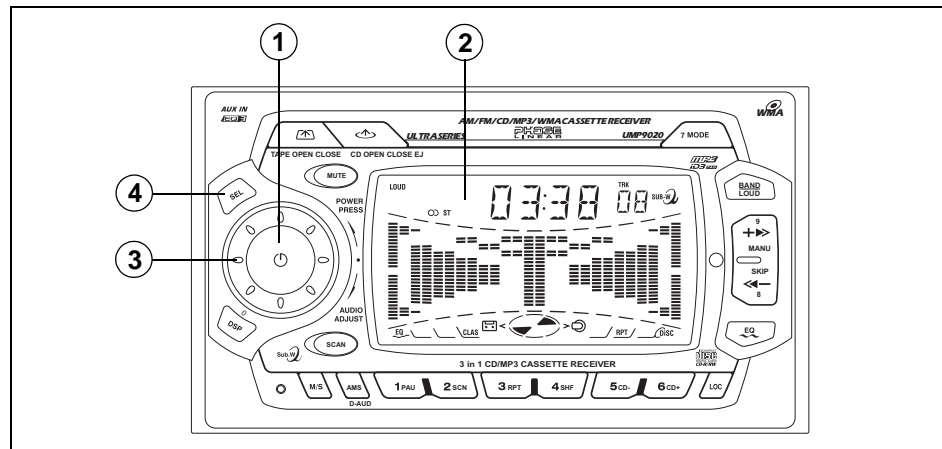
NOTE: It is a characteristic of LCD panels that, if subjected to cold temperatures for an extended period of time, they may take longer to illuminate than under normal conditions. In addition, the visibility of the numbers on the LCD may slightly decrease. The LCD read-out will return to normal when the temperature inside the vehicle increases to a normal range.

③ Volume Control

To increase or decrease the volume level, turn the **AUDIO ADJUST** control (3). The volume will increase/decrease and the level will be shown on the display panel from a minimum of "00" to a maximum of "100". The display automatically returns to the normal indication 5 seconds after the last volume adjustment or when another function is activated. This knob is also used to adjust the bass, treble, balance and fader levels.

④ Audio Control (SEL)

Press the **SEL** button (4) twice to set the unit for bass adjustment ("BAS" and the setting number will momentarily appear on the display panel). Press the button additional times to select treble (TRB), balance (BAL), fader (FAD), and volume (VOL). The display returns to the normal indication 5 seconds after the last adjustment or when another function is activated. Turn the **AUDIO ADJUST** control (3) to adjust the levels.



OPERATING INSTRUCTIONS

4 Bass Control

To adjust the bass level, press the **SEL** button (4) until "BAS" appears on the display panel. Within five seconds, rotate the **AUDIO ADJUST** control (3) to adjust the bass from "-10" to "+10". "00" represents a flat response.

4 Treble Control

To adjust the treble level, press the **SEL** button (4) until "TRB" appears on the display panel. Within five seconds, rotate the **AUDIO ADJUST** control (3) to adjust the treble from a minimum of "-10" to a maximum of "+10". "00" represents a flat response.

4 Left/Right Balance Control

To adjust the left-right speaker balance, press the **SEL** button (4) until the "BAL" indication appears on the display panel. Within five seconds, rotate the **AUDIO ADJUST** control (3) to adjust the balance between the left and right speakers from "10L" (full left) to "10R" (full right). "L=R" represents an equal balance level between the left and right speakers.

4 Rear/Front Fader Control

To adjust the rear/front speaker balance, press the **SEL** button (4) until "FAD" appears on the display

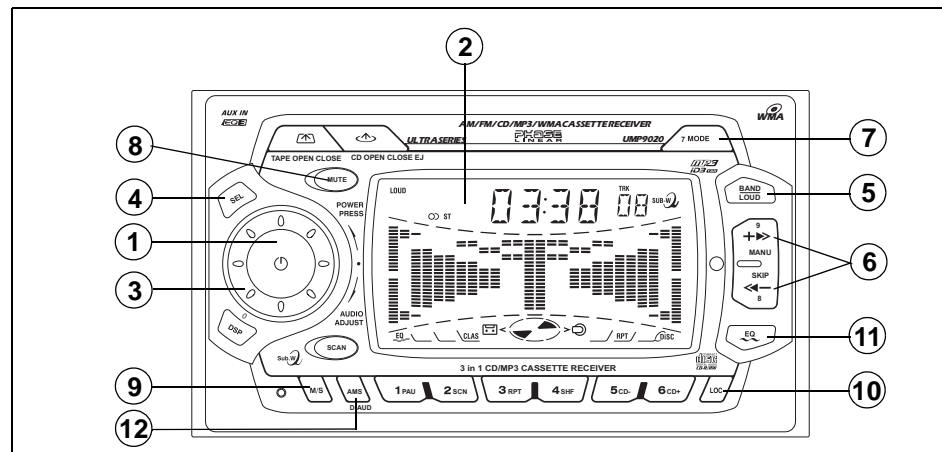
panel. Within five seconds, rotate the **AUDIO ADJUST** control to adjust the balance between the front and rear speakers from "10F" (full front) to "10R" (full rear). "F=R" represents an equal balance level between the front and rear speakers.

5 AM/FM Band Selector (BAND)

During radio play, press the **BAND** button (5) to move through one AM and three FM bands. The indications "AM" or "FM" appear on the display panel according to your selection.

5 Loudness Control (BAND/LOUD)

When listening to music at low volumes, this feature will boost the bass and treble ranges to compensate for the characteristics of human hearing. *Press and hold* the **BAND/LOUD** button (5) to activate this feature as indicated by "LOUD" on the display panel. *Press and hold* the **BAND/LOUD** button again to deactivate the function. "LOUD" disappears from the display.



OPERATING INSTRUCTIONS

⑥ Tuning Control

Seek Tuning

Press either side of the **MANU/SKIP** (▶▶, ◀◀) button (6) to tune rapidly to the next available station and stop. If the radio is in the local mode (indicated by "LOC" on the display panel), the radio will stop at the next strong local station, skipping the distant stations.

Manual Tuning

To manually select a radio station, press and hold either side of the **MANU/SKIP** (▶▶, ◀◀) button (6) until "MANUAL" appears in the display. Within five seconds, use the up or down tuning buttons to advance the unit one digit higher or lower.

⑦ Mode Button (MODE)

Press the **MODE** button (7) to change between radio, TV, AUX, CD or CD changer play. When a CD is playing, you can press this button to revert to radio operation.

⑦ Subwoofer (MODE)

To activate the subwoofer, press and hold the **MODE** button (7) for more than 2 seconds.

⑧ Audio Mute (MUTE)

Press the **MUTE** button (8) to mute the volume from the system. "MUTE" will flash on the display panel and the volume will be muted. Press the **MUTE** button again or turn the **AUDIO ADJUST** control (3) to return the volume level to the setting in use before the Mute function was activated.

⑨ FM Mono Select (M/S)

During FM radio operation, press the **M/S** button (9) to select mono or stereo reception of the broadcast signal. Under normal reception conditions, the unit should be left in the stereo mode. When tuned to an FM stereo signal, the "ST" icon appears on the display panel. If the stereo signal is too noisy, press the **M/S** button to switch to monaural reception. To return to stereo reception mode, press the button again.

⑩ Local Button (LOC)

When stereo signals are weak or intermittent, you can activate the Local mode by pressing the **LOC** button (10). "LOCAL" and the "LOC" icon appear on the display. This mode favors access to local stations whose signals are much stronger; thereby improving radio reception. Press the **LOC** button again to terminate Local receive mode (the "LOC" icon disappears from the display panel).

⑪ Equalizer Selector (EQ)

The **EQ** button (11) applies preset sound effects to the unit's audio output signal. When pressed, it will activate one of the following modes: "FLAT", "CLASSICS", "POP M", "ROCK M" or "DSP OFF". When the Equalizer function is active, the bass and treble levels cannot be changed. When the **EQ** function is not active, the unit returns to the user-set bass and treble level.

⑫ Pre-Set Scan/Auto-Store (AMS)

Press the **AMS** button (12) to scan the stations stored in either the AM or all three FM bands (depending on which band is currently selected). The unit stops at each pre-set station for 10 seconds (the pre-set station number on the display will flash as the corresponding station is played). Press **AMS** again to stop pre-set scan and listen to the selected frequency.

Press and hold the **AMS** button (12) for 2 seconds to activate the Auto-Store tuning feature. This feature automatically scans and enters up to 6 stations into the pre-set for the band in use. If the radio is in the local mode, only the stronger local stations are stored. Activating the Auto-Store feature erases any existing pre-set stations. This feature is most useful when traveling in a new area where you are not familiar with the local stations.

OPERATING INSTRUCTIONS

13 - 18 Station Pre-Set Memories

To set any one of the 6 pre-set memories (13-18) in each band, use the following procedure:

1. Turn the radio on and select a band.
2. Select the first station to be pre-set using the **MANU/SKIP** buttons (6).
3. Press and hold the pre-set button (13-18) to be set for approximately 2 seconds. The pre-set number appears on the display panel. The station is now stored and can be recalled at any time by pressing that button.
4. Repeat the above procedure for the remaining 5 pre-sets. Six stations can be stored for each band.

1. Turn the vehicle ignition and radio on.
2. Press the **DSP** button (20) to display the clock.
3. *Press and hold* the **DSP** button (20) until the time flashes.
4. Press the Down Tuning (1<<<) button (6) to adjust the hours and the AM/PM indication or the Up Tuning (>>>1) button to adjust the minutes.

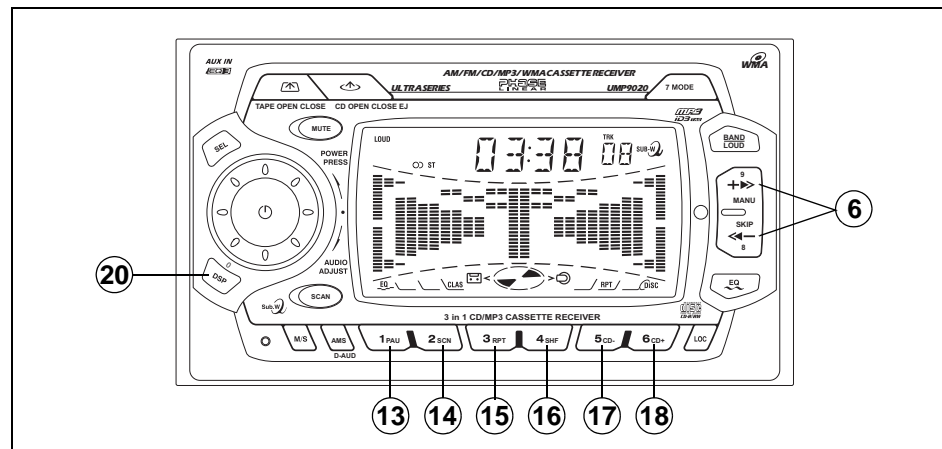
The adjusted time will remain on the LCD display for 5 seconds, or until the **DSP** button is pressed again.

20 Display Selector (DSP)

This unit can display either the clock time or radio frequency/CD player functions. Ordinarily, the radio frequency or CD player track indication is displayed, but the unit will display the time when the **DSP** button (20) is pressed. The time will display for approximately 5 seconds then return to the radio or CD player function display.

Setting the Clock

To set the clock, perform the following steps:

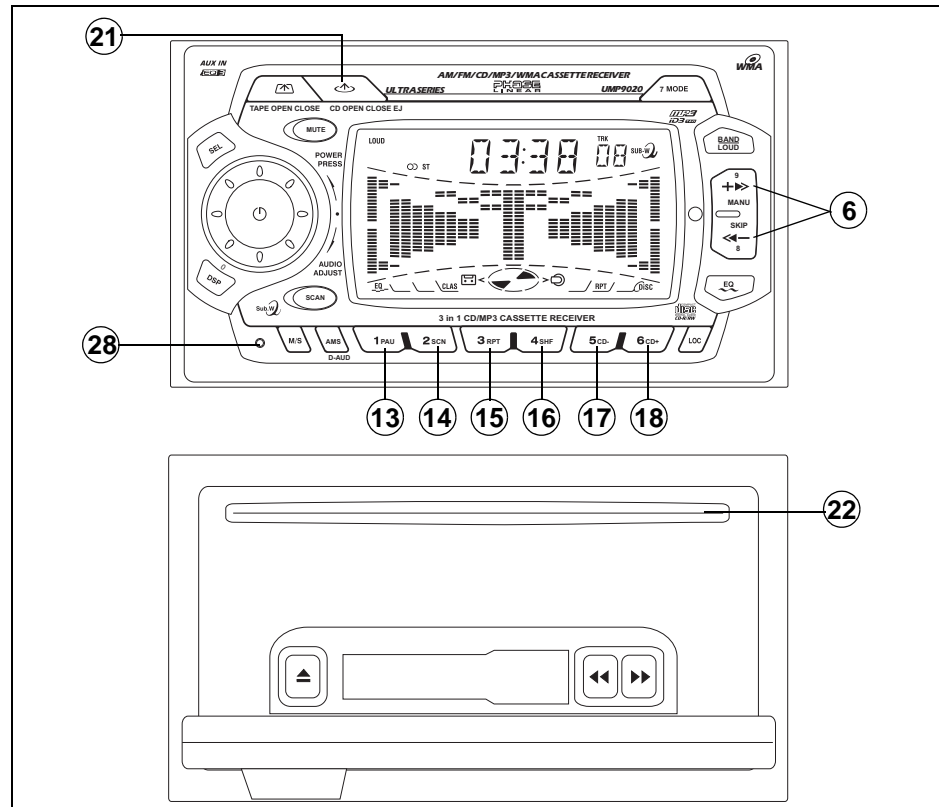


CD PLAYER OPERATION

21 CD Open/Close/Disc Slot

To access the disc slot, located behind the front panel, press the **CD OPEN CLOSE EJ** button (21). This causes the front panel to open and fold down, revealing the disc slot (22). With the front panel in this fold-down position, gently insert the disc into the slot (label side facing up) until the soft-loading mechanism engages and pulls the disc in. Lift the front panel back into position and press to close. The "CdP" indication will momentarily appear on the display. The disc play indication (Ⓢ) illuminates and becomes animated, the disc in symbol (Ⓢ) appears and the track number appears on the display panel along with the elapsed playing time.

NOTE: The unit is designed for play of standard 5" (12 cm.) compact discs only. Do not attempt to use 3" (8 cm.) CD singles in this unit, either with or without an adaptor, as damage to the player or the disc may occur. Such damage will not be covered by the warranty on this product.



CD PLAYER OPERATION

13 CD Play/Pause Selector

During disc play, press the **PAU** (play/pause) button (13) to pause the disc. When paused, the disc symbol stops moving, "S-PAUSE" is displayed, and play is suspended. When **PAU** is pressed again, playback resumes from the point at which disc play was stopped and continues until all tracks on the disc have been played, after which playback automatically stops (unless the repeat mode has been selected).

6 Forward Track Selector

During disc play, the up-tuning side of the **MANU/SKIP** button (6) is used to quickly select the beginning of a particular track in the forward direction. With each press of the button, the next higher track number is selected, as shown on the display panel.

6 Backward Track Selector

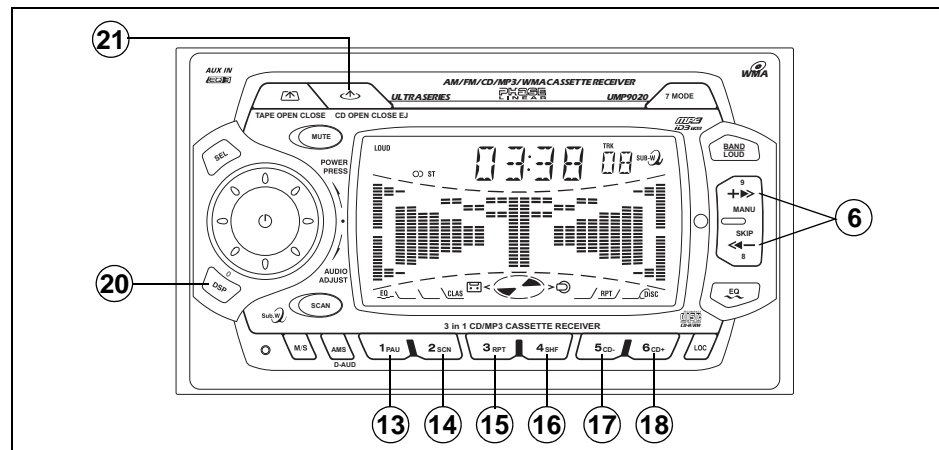
During disc play, the down-tuning side of the **MANU/SKIP** button (6) is used to quickly select the beginning of a particular track in the backward direction. With each press of the button, the next lower track number is selected, as shown on the display panel.

6 Cue/Review Functions

Use the Cue and Review functions to perform a high-speed audible search to any section of a disc. *Press and hold* the up tuning side of the **MANU/SKIP** button (6) to advance rapidly in the forward direction (the disc play symbol rotates forward on the display panel) or the down tuning side of the **MANU/SKIP** button (6) to advance rapidly in the backward direction (the disc symbol rotates backwards on the display panel).

14 Track Scan Select (SCN)

During disc play, press the **SCN** button (14) to play the first 10 seconds of each track. ("S-SCN" will be displayed). When a desired track is reached, press the **SCN** button again to cancel the function and play the selected track. You can also cancel the Scan mode by activating the Repeat Play, Random Play or track select functions.



CD PLAYER OPERATION

⑮ Repeat Play Selector (RPT)

During disc play, press the **RPT** button (15) to repeat the playback of a desired track (S-RPT appears on the display panel). Play of the selected track will continue to repeat until the Track Repeat function is cancelled by pressing the button again or by activating the Scan or Random play function, causing the "S-RPT" indication to disappear. You can also cancel Repeat Play mode by activating the Track Scan or Random Play functions.

⑯ Random Play Mode (SHF) Selector

During disc play, press the **SHF** button (16) to play the tracks on the disc in a random or shuffled order ("S-SHF" appears on the display panel). In Random Play mode, pressing the up or down **MANU/SKIP** buttons (6) will select tracks in a random order instead of the normal progression. To cancel, press the **SHF** button again. The "S-SHF" indication disappears. You can also cancel Random Play mode by activating the Track Scan or Random Play functions.

⑰ Disc Eject Button

Press the **CD OPEN CLOSE EJ** button (21) to allow the front panel to fold down, exposing the disc slot (22). *Press and hold* the **CD OPEN CLOSE EJ** button to eject the disc and revert to radio operation. Discs may be ejected with the vehicle ignition switch on or off. If an ejected disc is not removed from the disc slot within 15 seconds of being ejected, the disc will be re-inserted automatically, and the disc symbol will reappear on the display to show that a disc is still installed in the unit.

NOTE: To prevent a disc from accidentally being damaged, always remove the disc from the unit when disc play is finished.

MP3/WMA PLAYER OPERATION

Instructions for Insert/Eject, Play/Pause, Track Selection, Cue/Review, Scan, Repeat, and Random are the same for CD and MP3 operation. Please see the CD Player Operation section for information about these topics.

After inserting an MP3/WMA disc, "MP3 T" and the track number momentarily appear, followed by the ID Tag (if supported). After these initial indications, the track number and song title alternately appear, with the song title scrolling right to left across the display.

Display Information (DSP)

Press the **DSP** button (20) to display the ID3 tag, if available. The ID tag can specify the song title, artist, album, year and/or comments. If no ID tag is available, "-NO ID3" will appear in the display following the comments.

Directory Up/Down

Press preset **5** (17) or preset **6** (18) to move through the MP3/WMA directories/folders. If the disc does not contain any directories/folders, and all the songs/files are in the Root Directory, then these buttons will be inactive while playing this type of disc.

Direct Access

The **D-AUD** button (12) functions as the "MP3 Search" button in MP3 mode.

Direct Song/File Access

Press the **D-AUD** button (12) one time to enable direct track searching. Use the preset buttons 1-6, 7 (MODE), 8 (◀), 9 (▶) and 0 (DSP) to select the desired song/file. Press the **BAND** button (5) to play the selected song/file or do nothing and the unit will search and play the song/file within three seconds.

Searching a Directory/Folder or Song/File by Name

1. Press the **D-AUD** button (12) two times to enable directory or file name searching.
2. Use the corresponding buttons from *Table 1* to input the characters A-Z, _ (underscore), - (minus), + (plus), 0-9 or use the rotary encoder to access all characters. (See *Table 1* for key assignment details).
3. Press the **SEL** button (4) to confirm entry of each character.
4. Press the **BAND** button (5) to begin the search. If the selected entry is a directory name, " ` ` " will be displayed.
5. Use the Up Tuning (▶) or Down Tuning (◀) buttons (6) to select the song/file in this directory/folder.
6. Press **BAND** (5) to play the selected song/file.

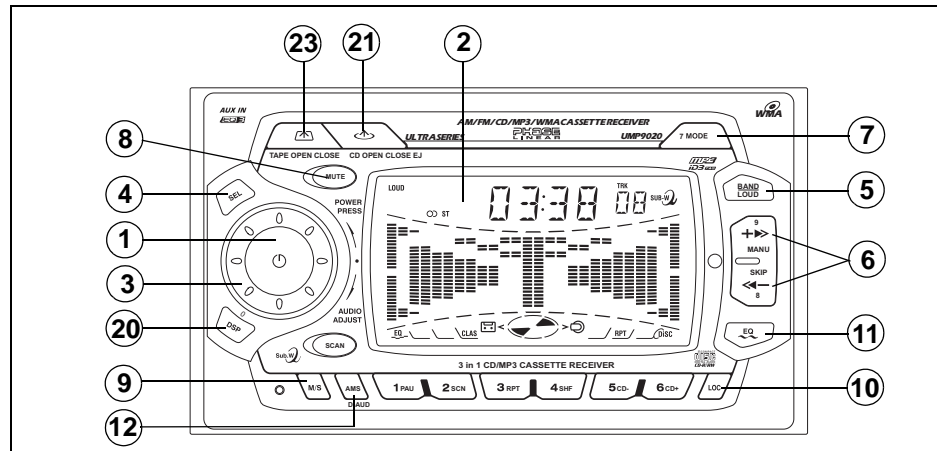
Table 1: Key Assignments

AMS	Mode Select
BAND	ENTER
1	A, B, C, 1
2	D, E, F, 2
3	G, H, I, 3
4	J, K, L, 4
5	M, N, O, 5/Directory Down
6	P, Q, R, 6/Directory Up
MODE	S, T, U, 7
◀	V, W, X, 8
▶	Y, Z, SPACE, 9
SEL	Character Shift Right
DSP	_, -, +, 0
AUDIO ADJUST	Character Select (A, B-8, 9, 0)

MP3 PLAYER OPERATION

Searching from the Root Directory

1. Press the **D-AUD** button (12) three times to enable root directory searching.
2. Use the Up Tuning (▶▶) and Down Tuning (◀◀) buttons (6) to select the desired directory/song. The display will list all available directories and songs. If a directory is present, a "D-DIR" icon will appear in the display indicating that the current selection is a directory.
3. Press the **BAND** button (5) to access the directory. " ` ` " will appear in the display indicating that a directory has been selected for searching.
4. Use the Up Tuning (▶▶) or Down Tuning (◀◀) buttons (6) to select the song/file.
5. Press the **BAND** button (5) to play your selection.



Searching from the Current Directory/Folder

1. Press the **D-AUD** button (12) four times to enable current directory searching.
2. Use the Up Tuning (▶▶) and Down Tuning (◀◀) buttons (6) to select the desired song/file.
3. Press the **BAND** button (5) to play your selection.

TAPE PLAYER OPERATION

23 Cassette Door/Insert

To access the cassette door, located behind the front panel, press the **TAPE OPEN CLOSE** button (23). The front panel will open and fold down to the horizontal position, allowing room to insert a cassette into the player. To insert a cassette, hold the cassette with the exposed tape edge of the side to be played to the right and insert it fully into the cassette door. As the cassette is engaged and begins playing, "TAPE" appears on the display panel accompanied by the tape symbol (⏮). Direction of play is indicated by an animated cursor which moves in a square pattern. Clockwise rotation indicates left-to-right tape motion, while counter-clockwise rotation indicates right-to-left tape motion. When the cassette reaches the end of one side, the unit automatically changes direction of play as shown by the arrow indications on the display panel.

25 Fast-Forward/Rewind Buttons

The fast forward and rewind buttons cause the tape to move rapidly in the direction indicated by the arrows. If the fast-forward (⏭) button is pushed when the tape is moving from left to right, the tape quickly advances forward. If the

rewind (⏮) button is pressed while the tape is moving from right to left, the tape rewinds. To stop fast tape movement, lightly push the opposite button. If the tape is allowed to fast-forward or rewind all the way to the end, play automatically starts from the beginning.

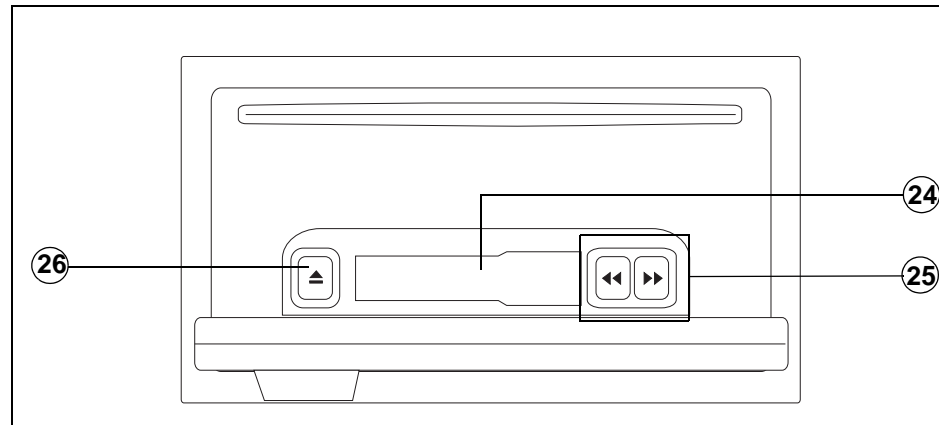
25 Tape Program Selector

To manually reverse tape direction and play the other side of the cassette, lightly push both the fast-forward and rewind buttons (25) at the same time. The change of direction is indicated by the animated cursor on the display panel.

26 Tape Eject Button

To stop tape playback and eject the tape, press the tape eject (⏮) button (26), located behind the front panel. If the button is not visible, press the **TAPE OPEN CLOSE** button (23) to release the front panel and lower it to the horizontal position. Radio operation resumes when the cassette is ejected.

NOTE: To avoid damage to the cassette or radio, remove the cassette when not in use.



CD CHANGER CONTROLS

Built into the UMP9020 are controls to operate an optional CD changer. Please check with your Phase Linear car stereo specialist or call 1-800-323-4815 for recommendations of the models that will work with this radio.

Adjustment of the audio functions (volume, tone, balance, and fader) and CD functions (Pause/Play, SCN, SHF, RPT and TRACK selection) for the CD changer operate in the same manner as they do for radio play. See the Operation and CD Player Operation sections for information about these topics.

The following controls will operate the CD changer when it is installed and connected to this radio. Refer to the owner's manual included with the CD changer for instructions on the installation and correct loading and use of the CD magazine.

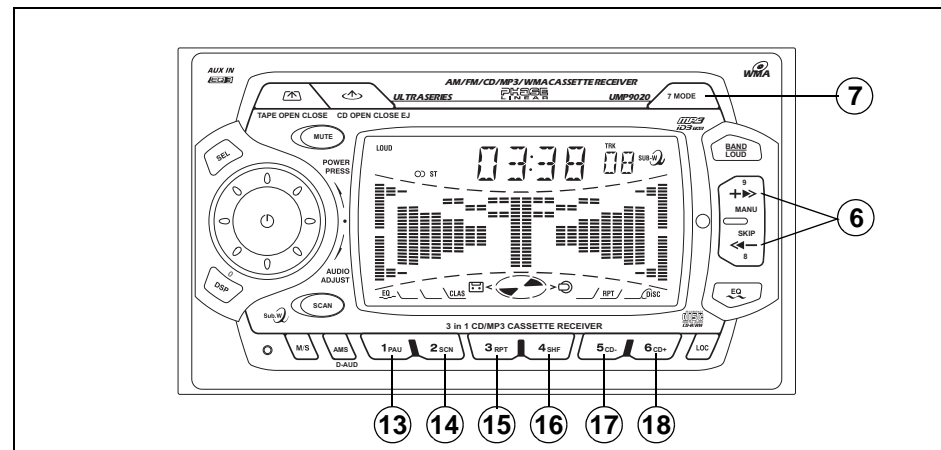
⑦ CD Changer Mode Selector (MODE)

Press the **MODE** button (7) to select operation of the CD changer, as shown by "CDC" on the display panel. Disc play begins and the disc and track number are shown on the display panel. If a new magazine has been loaded into the changer, play begins from the first track of the first disc in the magazine. If a magazine was

already in the changer, play resumes from the track on the disc previously in play.

⑰, ⑱ Disc Select (CD-/CD+)

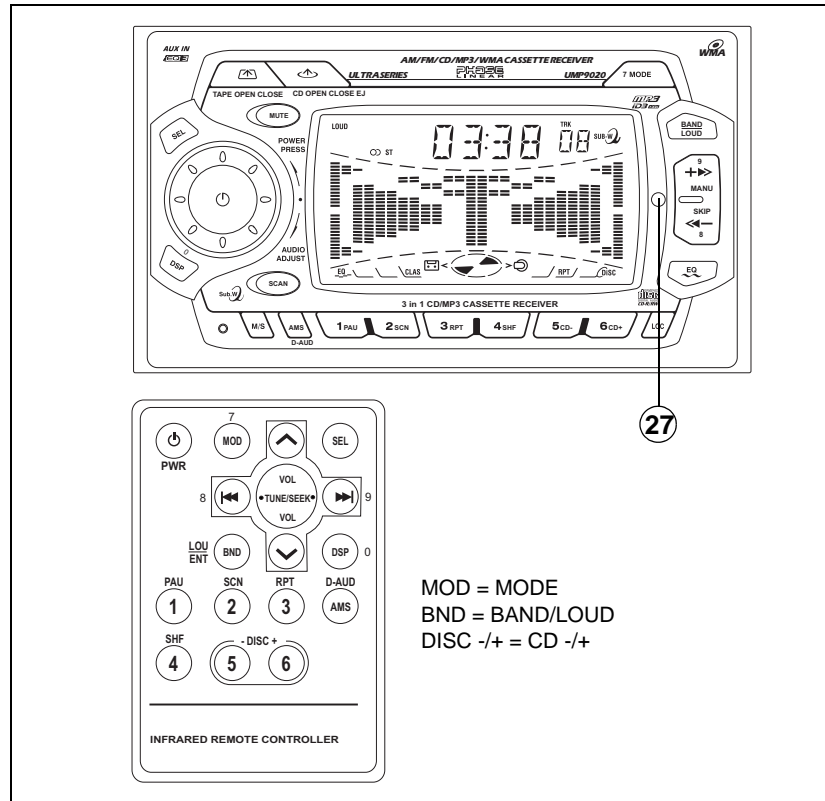
The **CD-/CD+** buttons (17 and 18) are used to select the desired disc for play. To advance to a higher number disc, press the **CD+** button (18). To move to a lower number disc, press the **CD-** button (17). The number of the disc in play is shown on the display panel.



WIRELESS REMOTE CONTROL OPERATION

The infrared remote controller will allow you to control the basic functions of the UMP9020.

The infrared sensor (27) detects the infrared command signal from the remote control unit.



CARE AND MAINTENANCE

Your new radio/CD player does not require any maintenance. However, proper understanding of its use and handling will help you obtain maximum enjoyment of its capabilities. We recommend that you keep this manual for reference on the many features of this unit as well as how to set the clock. The following points should be observed:

- When cleaning the interior of the vehicle, do not get water or cleaning fluids on the unit.
- The CD player is a precision instrument and will not operate properly in extreme heat or cold. If such conditions occur, wait until the interior of the vehicle reaches a normal temperature before using the player.
- If the temperature inside the player gets too hot, a protective circuit will automatically stop play of the disc. In this case, allow the unit to cool before operating the player again.
- Never insert anything other than a 5" (12 cm) compact disc into the player as the mechanism can be damaged by foreign objects.
- Do not attempt to use 3" (8 cm) CD-Single discs in this unit, either with or without an adaptor, as damage to the player and/or

disc may occur. Such damage will not be covered by the Warranty on this product.

- When not using the disc player, always remove the compact disc. Do not leave an ejected disc sitting in the disc slot as this can expose it to sunlight and other causes of damage.
- Do not attempt to open the unit chassis. There are no user-serviceable parts or adjustment points inside.
- When the vehicle warms up during cold weather or under damp conditions, condensation may appear on the lens of the disc player. Should this occur, the player will not operate properly until the moisture has evaporated.
- The unit is designed with a vibration dampening CD mechanism to minimize interruption of disc play due to normal vibration. When driving on rough roads, however, occasional sound skips may occur. This will not scratch or damage the disc and normal play will resume when the rough conditions cease.

Handling Compact Discs

Dirt, dust, scratches and warping can cause skips in the playback and deterioration of sound quality. Please follow these guidelines to take care of your compact discs:

- Carefully wipe fingerprints, dust and dirt from the disc's playing surface with a soft cloth. Wipe in a straight motion from the center to the outside of the disc.
- Never use chemicals such as record sprays or household cleaners to clean CDs, as they can irreparably damage the disc's surface.
- Discs should be kept in their storage cases when not in use.
- Do not expose discs to direct sunlight, high temperatures or high humidity for long periods.
- Do not stick paper, tape or labels on disc surfaces.

RESET BUTTON

A Reset button (28) is located behind the faceplate on the left side (the front panel must be in the horizontal position to access the button). The Reset function is provided to protect the microprocessor circuitry and should only be activated under the following circumstances as it will erase the time and pre-set memories: Upon initial installation after all wiring is completed; If there is a malfunction of any of the switches on the unit, pressing the Reset button may clear the system and return to normal operation.

SPECIFICATIONS

CD-R and CD-RW Capability

Depending on media type and method of "recording/burning", some CD-R/RWs may be incompatible with this unit. After "recording/burning", **the session must be closed**. Please refer to your software's recommended procedures for closing a disc/session. Review your recording software to familiarize yourself with the correct "recording/burning" procedures. We recommend using the latest versions of ROXIO™ or NERO™ burning software.

In addition, this unit will only recognize the CDDA (Compact Disc Digital Audio), .MP3 and .WMA formats "recorded / burned" onto a CD-R/RW. This unit does not support .WAV, .OGG or other formats.

Technical Specifications



CEA Power Ratings

Power Output: 13 watts RMS X 4 channels into 4-ohms @ < 1% THD+N
 Signal to Noise Ratio: 70dBA below reference.
 (Reference: 1 watt, 4-ohms)
 Frequency Response: 20Hz to 20kHz, -3dB
 Reference Supply Voltage: 14.4VDC

CD Player

Signal to Noise Ratio: >75dBA
 Frequency Response: 20Hz to 18kHz, -3dB
 Channel Separation: > 55dB @ 1kHz
 D/A converter: 1Bit/Ch

FM Tuner

Tuning Range: 87.5MHz - 107.9MHz
 Mono Sensitivity: 18dBf
 50dB Stereo Quieting Sensitivity: 20dBf
 Stereo Separation @ 1kHz: >30dB
 Frequency Response: 30Hz to 12kHz, -3dB

AM Tuner

Tuning Range: 530kHz - 1710kHz
 Sensitivity @ 20dB Signal to Noise: 30uV
 Frequency Response: 30Hz - 2kHz, -3dB

General

Power Supply: 11 to 16VDC, negative ground
 Fuses: Battery - 15 amp/ATO, Ignition/
 Accessory - 0.5 amp AGC
 20 pin quick-connect harness
 Double Din Chassis Dimensions: 4"H x 7"W x
 7"D (102mm x 178mm x 178mm)

Specifications subject to change without notice.

90 DAY LIMITED WARRANTY

AUDIOVOX CORPORATION (the Company) warrants to the original retail purchaser of this product that should this product or any part thereof, under normal use and conditions, be proven defective in material or workmanship within 90 days from the date of original purchase, such defect(s) will be repaired or replaced with new or reconditioned product (at the Company's option) without charge for parts and repair labor. To obtain repair or replacement within the terms of this Warranty, the product is to be delivered with proof of warranty coverage (e.g. dated bill of sale), specification of defect(s), transportation prepaid, to the warranty center at the address shown below.

This Warranty does not extend to the elimination of car static or motor noise, to correction of antenna problems, to costs incurred for installation, removal, or reinstallation of the product, or damage to tapes, compact discs, accessories or vehicle electrical systems. This Warranty does not apply to any product or part thereof which, in the opinion of the Company, has suffered or been damaged through alteration, improper installation, mishandling, misuse, neglect, accident, or by removal or defacement of the factory serial number/bar code label(s) or markings. THE EXTENT OF THE COMPANY'S

LIABILITY UNDER THIS WARRANTY IS LIMITED TO THE REPAIR OR REPLACEMENT PROVIDED ABOVE AND, IN NO EVENT, SHALL THE COMPANY'S LIABILITY EXCEED THE PURCHASE PRICE PAID BY PURCHASER FOR THE PRODUCT.

This Warranty is in lieu of all other express warranties or liabilities. ANY IMPLIED WARRANTIES, INCLUDING ANY IMPLIED WARRANTY OF MERCHANTABILITY, SHALL BE LIMITED TO THE DURATION OF THIS WRITTEN WARRANTY. ANY ACTION FOR BREACH OF ANY WARRANTY HEREUNDER INCLUDING ANY IMPLIED WARRANTY OF MERCHANTABILITY MUST BE BROUGHT WITHIN A PERIOD OF 30 MONTHS FROM DATE OF ORIGINAL PURCHASE. IN NO CASE SHALL THE COMPANY BE LIABLE FOR ANY CONSEQUENTIAL OR INCIDENTAL DAMAGES FOR BREACH OF THIS OR ANY OTHER WARRANTY, EXPRESS OR IMPLIED, WHATSOEVER. No person or representative is authorized to assume for the Company any liability other than expressed herein in connection with the sale of this product.

Some states do not allow limitations on how long an implied warranty lasts or the exclusion or limitation of incidental or consequential damage so the above limitations or exclusions

may not apply to you. This Warranty gives you specific legal rights and you may also have other rights which vary from state to state.

U.S.A: Audiovox Corporation, 150 Marcus Blvd., Hauppauge, NY 11788, 1-800-323-4815
CANADA: Call 1-800-323-4815 for location of a warranty station serving your area.

Audiovox Electronics Corporation
150 Marcus Boulevard
Hauppauge, NY 11788
1-800-323-4815
www.audiovox.com

©2005 Audiovox
v.041005
Printed in China

UMP9020

Manual del Usuario

PREPARACIÓN

Comenzando

Es buena idea leer completamente las instrucciones antes de iniciar la instalación.

Contenido

Instrucciones de Instalación	23
Cableado	24
Instrucciones de Operación.....	25
Funcionamiento del Lector de CD.....	29
Operacion del Equipo de MP3	32
Operacion del Equipo de Casete	34
Controls del Cambiador de CD	35
Operación del Control Remoto Inalámbrico	36
Cuidados y Mantenimiento.....	37
Especificaciones.....	38
Garantía Limitada de 3 Meses	39

Requisitos para la Instalación

Esta unidad está diseñada para instalarse en autos, camiones y camionetas con abertura para radio preexistente. En muchos casos, se necesitará un equipo de instalación especial para montar el radio al tablero de instrumentos. Estos equipos se consiguen en tiendas de artículos electrónicos o tiendas de estéreos para automóviles. Antes de comprar el equipo, asegúrese de que funcione con su vehículo. Si

necesita un equipo de instalación pero no puede conseguirlo, llame a nuestra línea de atención al cliente al 1-800-645-4994 (sólo para U.S.A. y Canadá).

Herramientas y Provisiones

Las siguientes herramientas y provisiones son necesarias para instalar el radio:

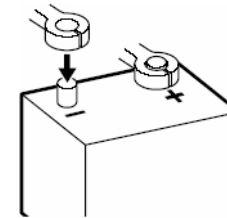
- Llave torx, destornilladores plano y Philips
- Cúter y peladores de cables
- Herramientas para remover la radio existente (destornillador, equipo de llave de casquillo y otras herramientas)
- Cinta aisladora
- Enganchador
- Voltímetro / luz de prueba
- Conexiones para enganchar
- Cable de calibre 18 para conexiones eléctricas, cable de altoparlante de calibre 16 a 18

Requerimientos del Altavoz

Solamente conecte los altavoces de carga de impedancia de 4 ohms. Altavoces con una carga de impedancia menor a los 4 ohms pueden dañar la unidad.

Desconecte la Batería

Antes de empezar, siempre desconecte la terminal negativa de la batería.



Asistencia Gratuita en la Instalación

Si requiere asistencia, llame al Soporte Técnico al 1-800-323-4815 de lunes a viernes de 8:30 AM a 7:30 PM tiempo del este y los sábados de 9:00 AM a 5:00 PM tiempo del este (para USA y Canadá solamente.)

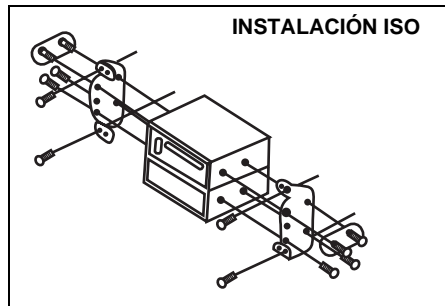
INSTRUCCIONES DE INSTALACIÓN

Instalación ISO

Esta unidad está diseñada para ser insertada en la apertura 2.0 DIN de un tablero, las cuales se encuentran en muchos autos importados. Esta unidad tiene agujeros roscados en los paneles laterales del chasis que pueden utilizarse con las ménsulas de montar originales de fábrica que vienen en algunos vehículos Toyota, Nissan, Mitsubishi, Isuzu, Hyundai y Honda para montar el radio al tablero. Por favor, consulte en su tienda local especialista en estéreos de automóviles si necesita asistencia en este tipo de instalación.

1. Quite del tablero el radio existente de fábrica o centre la consola de montaje. Guarde todos los elementos y ménsulas pues serán utilizados para montar el nuevo radio.
2. Con cuidado destrabe el marco plástico del frente del chasis del nuevo radio. Quite y deseche el marco.
3. Quite las ménsulas y elementos de montaje que vienen de fábrica con el radio existente y adhiéralos al nuevo radio.

NOTA: No exceda el tamaño de tornillo de M5 x 9MM. Tornillos más largos pueden tocar y dañar componentes dentro del chasis.



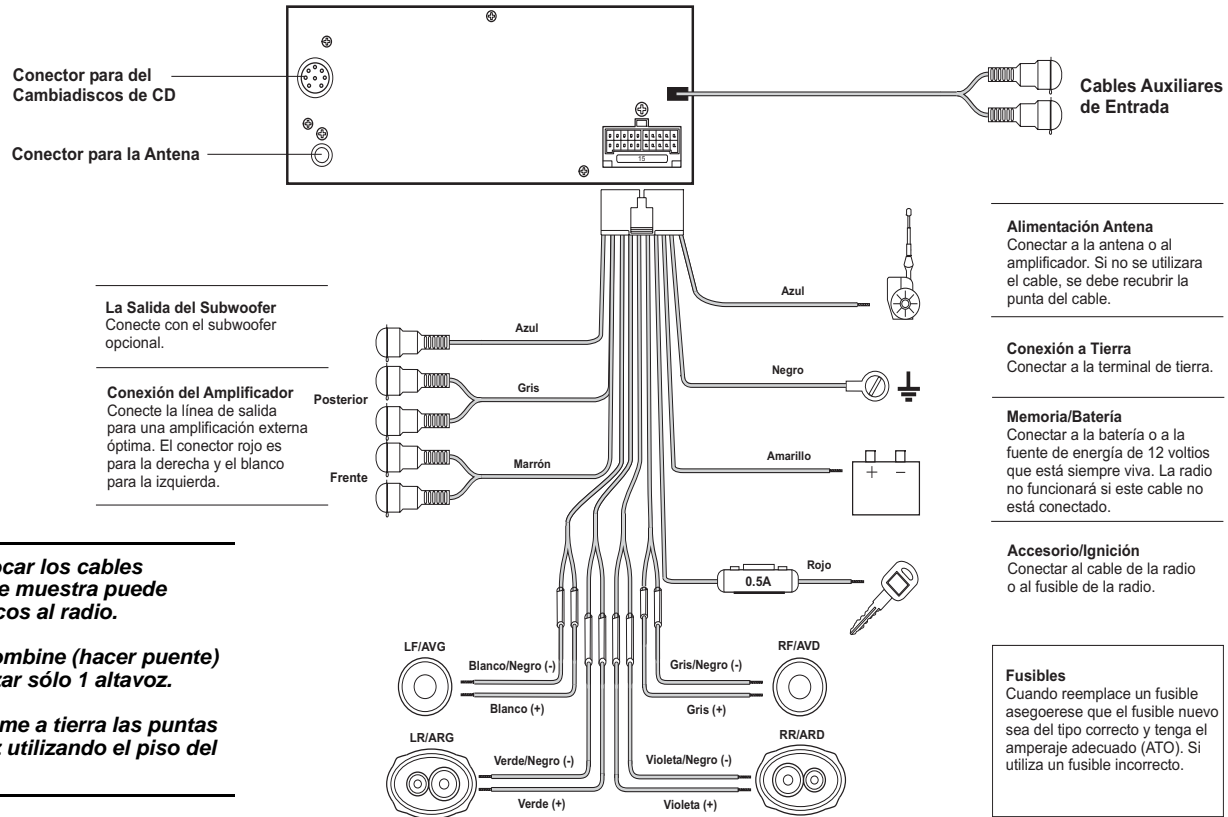
4. Ubique el radio en frente de la apertura del tablero de manera tal que los cables puedan pasar por la manga de montaje. Siga el diagrama de cableado detalladamente y asegúrese de que todas las conexiones estén seguras y aisladas con tuercas para cables y cinta aisladora para asegurar el apropiado funcionamiento de la unidad. Luego de completar las conexiones del cableado, encienda la unidad para confirmar la operación (la ignición del vehículo debe estar encendida). Si la unidad no opera, verifique nuevamente todas las conexiones de cables hasta que se solucione el problema.

5. Monte el ensamblaje del nuevo radio al tablero o a la consola central utilizando el procedimiento reverso al paso 1.

CUIDADO: La cinta de soporte se debe utilizar para prevenir daños al tablero debido al peso del radio o una inadecuada operación causada por vibraciones.

CUIDADO: Para una correcta operación del equipo de CD, el chasis debe estar montado dentro de los 20° de horizontalidad. Asegúrese de que la unidad esté montada dentro de este límite.

CABLEADO



CUIDADO: El no colocar los cables exactamente como se muestra puede causar daños eléctricos al radio.

¡CUIDADO! Nunca combine (hacer puente) las salidas para utilizar sólo 1 altavoz.

¡CUIDADO! Nunca tome a tierra las puntas negativas del altavoz utilizando el piso del chasis.

INSTRUCCIONES DE OPERACIÓN

① Botón de Encendido / Apagado (POWER)

Presione el botón **POWER** (1) para encender o apagar la unidad cuando la ignición del vehículo esté en marcha. Si el radio está apagado cuando la ignición se apaga, deberá presionar el botón **POWER** para encender el radio cuando vuelva a encender la ignición. Si el radio está encendido cuando la ignición se apaga, el radio se encenderá automáticamente cuando se encienda nuevamente la ignición.

② Panel con Pantalla de Cristal Líquido

La Pantalla de Cristal Líquido (LCD, por sus siglas en inglés) exhibe la frecuencia del radio, la hora y todas las funciones activas. La pantalla consiste en un gráfico de barras codificado en colores. Estas secciones brindan una representación visual del nivel de señal, figurado por el número y amplitud de los segmentos en cada gráfico.

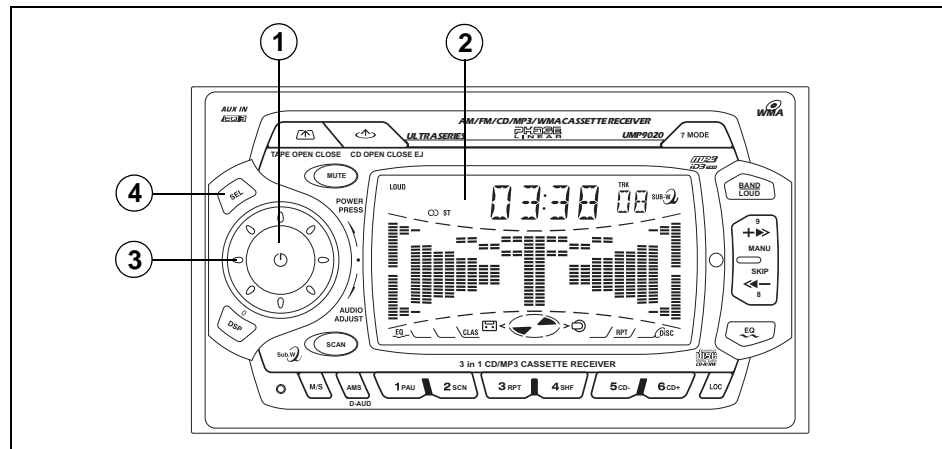
NOTA: Es una característica de los paneles LCD que al ser sometidos a bajas temperaturas por períodos de tiempo prolongados, pueden necesitar más tiempo para iluminarse que bajo condiciones normales. Además, puede bajar levemente la visibilidad de los números en el LCD. La visibilidad del LCD retornará a la normalidad cuando la temperatura dentro del vehículo suba a un rango normal.

③ Control de Volumen (AUDIO ADJUST)

Para incrementar o disminuir el nivel de volumen, gire el control de volumen (**AUDIO ADJUST**, 3). El volumen incrementará y el nivel aparecerá en la pantalla del panel desde un mínimo de "00" a un máximo de "100". La pantalla volverá automáticamente a lo que exhibe normalmente luego de 5 segundos del último ajuste de volumen o cuando se active otra función.

④ Botón de Selección (SEL)

Presione el botón **SEL** (4) doce vez para ajustar el nivel de graves en la unidad (aparecerá momentáneamente en pantalla "BAS" y el número seleccionado). Presione sucesivamente este botón para seleccionar niveles agudos ("TRB" aparecerá en pantalla), balance izquierdo-derecho (BAL), balance delantero-trasero (FAD) y volumen (VOL). La pantalla volverá a lo que exhibe normalmente luego de 5 segundos del último ajuste de volumen o cuando se active otra función. Gire el botón **AUDIO ADJUST** para ajustar los niveles.



INSTRUCCIONES DE OPERACIÓN

④ Control de Graves

Para ajustar el nivel de graves, presione el botón **SEL** (4) hasta que "BAS" aparezca en la pantalla del panel. Dentro de los cinco segundos, rote el control de volumen (**AUDIO ADJUST**, 3) para ajustar los sonidos graves desde "-10" a "+10". "00" representa un sonido neutro.

④ Control de Agudos

Para ajustar el nivel de agudos, presione el botón **SEL** (4) hasta que "TRB" aparezca en la pantalla del panel. Dentro de los cinco segundos, rote el control de volumen (**AUDIO ADJUST**, 3) para ajustar los sonidos agudos desde un mínimo de "-10" hasta un máximo de "+10". "00" representa un sonido neutro.

④ Control de Balance Izquierdo-Derecho

Para ajustar el balance izquierdo-derecho, presione el botón **SEL** (4) hasta que "BAL" aparezca en la pantalla del panel. Dentro de los cinco segundos, rote el control de volumen (**AUDIO ADJUST**, 3) para ajustar el balance entre los altavoces izquierdo y derecho desde "10L" (completamente a la izquierda) hasta "10R" (completamente a la derecha). "L=R" representa un balance equilibrado entre los altavoces derecho e izquierdo.

④ Control de Balance Delantero/Trasero

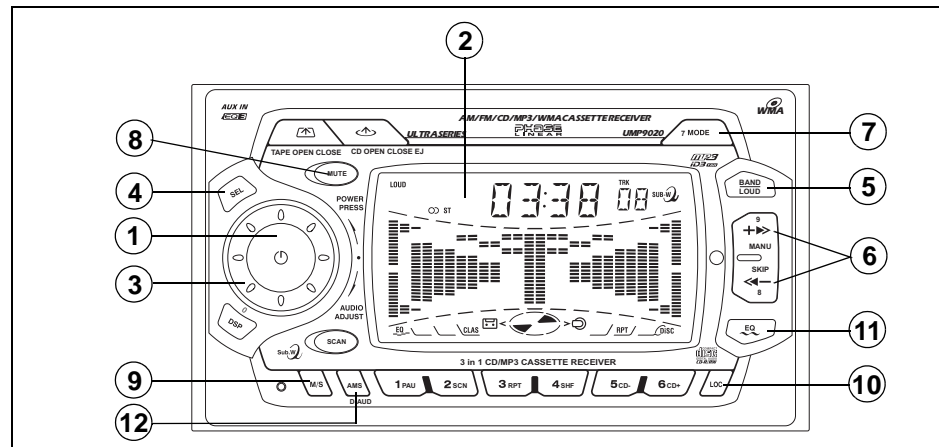
Para ajustar el balance delantero-trasero, presione el botón **SEL** (4) hasta que "FAD" aparezca en la pantalla del panel. Dentro de los cinco segundos, rote el control de volumen (**AUDIO ADJUST**, 3) para ajustar el balance entre los altavoces trasero y delantero desde "10F" (completamente trasero) hasta "10R" (completamente delantero). "F=R" representa un balance equilibrado entre los altavoces traseros y delanteros.

⑤ Selector de Banda AM/FM (BAND)

Durante la operación del radio, cada vez que se presione el botón **BAND** (5), la banda del radio cambia. La indicación de "AM" o "FM" aparece en la pantalla de acuerdo a su selección.

⑤ Control de Sonoridad (BAND/LOUD)

Cuando escuche música en volumen bajo, esta función potenciará los rangos graves y agudos para compensar y adecuarse a las características del oído humano. Presione y mantenga el botón **BAND/LOUD** (5) para activar esta función indicada en la pantalla por "LOUD ON". Presione nuevamente el botón **BAND/LOUD** para desactivar esta función y "LOUD OFF" aparecerá en pantalla.



INSTRUCCIONES DE OPERACIÓN

6 Control de Sintonía

Control de Sintonía Búsqueda

Presione cualquier lado del botón de **MANU/SKIP** (▶▶, ◀◀) (6) templar rápidamente a la estación disponible siguiente y parar. Si el radio está en modo local (indicado por "LOC" en pantalla), el radio se detendrá en la próxima estación local fuerte, saltando las estaciones distantes.

Control de Sintonía Manual

Para seleccionar manualmente una estación de radio, presione y mantenga uno de los lados del botón **MANU/SKIP** (▶▶, ◀◀) (6) hasta que el "MANUAL" aparece en la exhibición. En el plazo de cinco segundos, presione uno de los lados del botón para sintonizar a la próxima estación disponible y parar.

7 Botón de Modo (MODE)

Presione el botón de modo (**MODE**, 7) para cambiar entre radio, TV, AUX, CD o cambiador de CD. Cuando un CD esté ejecutándose, presionar este botón volverá el equipo a recepción de radio.

7 Subwoofer (MODE)

Para activar el subwoofer, presione y sostenga el botón del **MODE** (7) por más de 2 segundos.

8 Audio Mudo (MUTE)

Presione el botón **MUTE** (8) para apagar el volumen del sistema. El "MUTE" destellará en el panel de exhibición y el volumen será silenciado. Presione el botón **MUTE** otra vez o dé vuelta al control **AUDIO ADJUST** (3) para volver el volumen llano al ajuste en uso antes de que la función muda fuera activada.

9 Selección de FM Mono (MON)

Durante la operación de radio FM, presione el botón **M/S** (9) para seleccionar recepción monoaural o estéreo de la señal de transmisión. Bajo condiciones normales de recepción, la unidad se debe dejar en modo estéreo, indicado en pantalla por el icono "ST" cuando se sintoniza una señal de estéreo FM. Si la señal estéreo es muy ruidosa, para lograr un sonido cómodo presione el botón **M/S** y así cambiará a recepción monoaural. Para volver a modo de recepción en estéreo, presione el botón nuevamente de manear a tal que aparezca nuevamente la indicación "ST".

10 Botón Local (LOC)

Durante la operación del radio, las señales recibidas están usualmente en modo estéreo indicadas por el icono "ST"; sin embargo, cuando las señales son débiles o intermitentes puede ser útil activar el modo Local presionando el botón **LOC** (10). "LOC" aparece en pantalla. Este modo favorece el acceso a estaciones locales cuyas señales sean más fuertes, mejorando en consecuencia la recepción del radio. Presione el botón **LOC** nuevamente para finalizar el modo de recepción local ("LOC" desaparece de pantalla).

11 Selector de Ecuilizador (EQ)

El botón de ecualización (**EQ**, 11) aplica efectos de sonido preseleccionados a la señal de salida de audio de la unidad. Cuando es presionado, se activa

uno de los siguientes modos: "FLAT" (plano), "CLASSICS" (clásicos), "POP M" (pop), "ROCK M" (rock) o "DSP OFF". Cuando la función de Ecuilización está activada, los niveles graves y agudos se pueden cambiar y acomodar al oído del usuario. Cuando la función de ecualización (EQ) no está activada, la unidad va a retornar a los niveles graves y agudos seleccionados por el usuario.

12 Exploración de Memorias Almacenadas / Almacenaje Automático (AMS/D-AUD)

Presione el botón **AMS** (12) por un momento para explorar las estaciones almacenadas en banda AM o FM actualmente. Esta unidad se detiene en cada estación almacenada previamente por 10 segundos (el número de la estación almacenada destellará en pantalla mientras la estación correspondiente suena). Presione **AMS** nuevamente para detener la exploración y escuchar una frecuencia seleccionada.

Presione y mantenga el botón **AMS** (12) por más de 2 segundos para activar la función de sintonía con Almacenaje Automático. La función de Sintonía Automática explora automáticamente e ingresa hasta 6 estaciones en las memorias de almacenaje en la banda en uso. Si el radio está en modo local (LOC en pantalla) el radio explora e ingresa solamente las estaciones locales más fuertes. Activar la función de Almacenaje Automático borra cualquier estación almacenada previamente. Esta función es más útil cuando usted viaja a un lugar nuevo donde no conoce las estaciones locales.

INSTRUCCIONES DE OPERACIÓN

13 - 18 Memorias para Almacenar Estaciones de Radio

Para configurar cualquiera de los 6 botones (13 a 18) de memoria en cada banda, utilice el siguiente procedimiento:

1. Encienda el radio y seleccione una banda.
2. Seleccione la primer estación que desee almacenar utilizando los botones de sintonía/pista/saltear (**MANU/SKIP**, 6).
3. Mantenga presionado por 2 segundos aproximadamente el botón de almacenaje a utilizar. El número de la memoria aparecerá en pantalla. La estación estará guardada y se puede acceder a ella en cualquier momento presionando el botón asociado a ella.
4. Repita el procedimiento anterior para los siguientes 5 botones de almacenaje. Se pueden almacenar seis estaciones en cada una de las bandas.

20 Selector de Visualización (DSP)

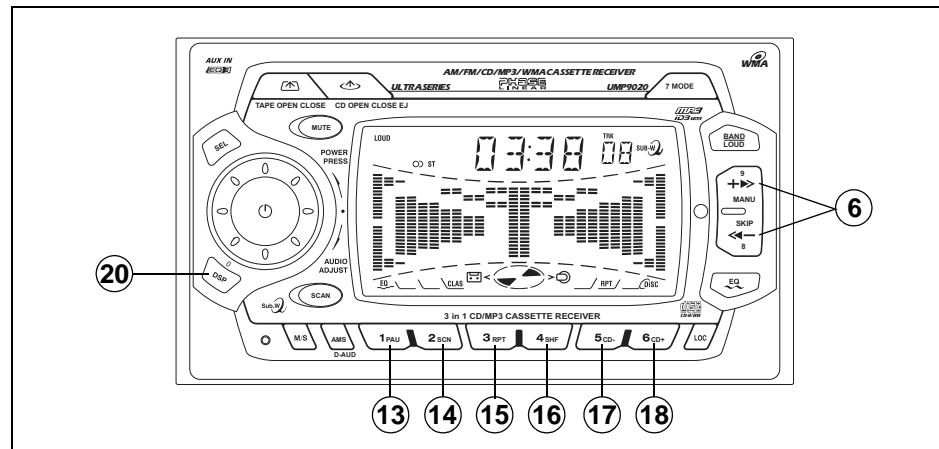
Esta unidad puede exhibir por un lado el reloj o por otro la frecuencia del radio o las funciones de reproducción de CD. Generalmente se exhibe la frecuencia del radio o la indicación de la pista del CD, pero la unidad mostrará la hora cuando se presione el botón **DSP** (20). La hora se exhibirá por 5 segundos aproximadamente, luego volverá a visualizarse el radio o la reproducción del CD.

Poniendo en Hora el Reloj

Para poner en hora el reloj, siga las siguientes instrucciones:


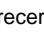
1. Encienda la ignición del vehículo y el radio.
2. Presione el botón **DSP** (20) hasta que la hora aparezca en pantalla.
3. Mientras mantenga presionado el botón **DSP** hasta los flashes de la en pantalla.
4. Presione el botón de sintonía hacia abajo (**◀**) (6) para ajustar la hora y la indicación AM/PM o el botón de sintonía hacia arriba (**▶**) (6) para ajustar los minutos.

La hora seleccionada permanecerá en pantalla por 5 segundos, o hasta que el botón **DSP** sea presionado nuevamente.

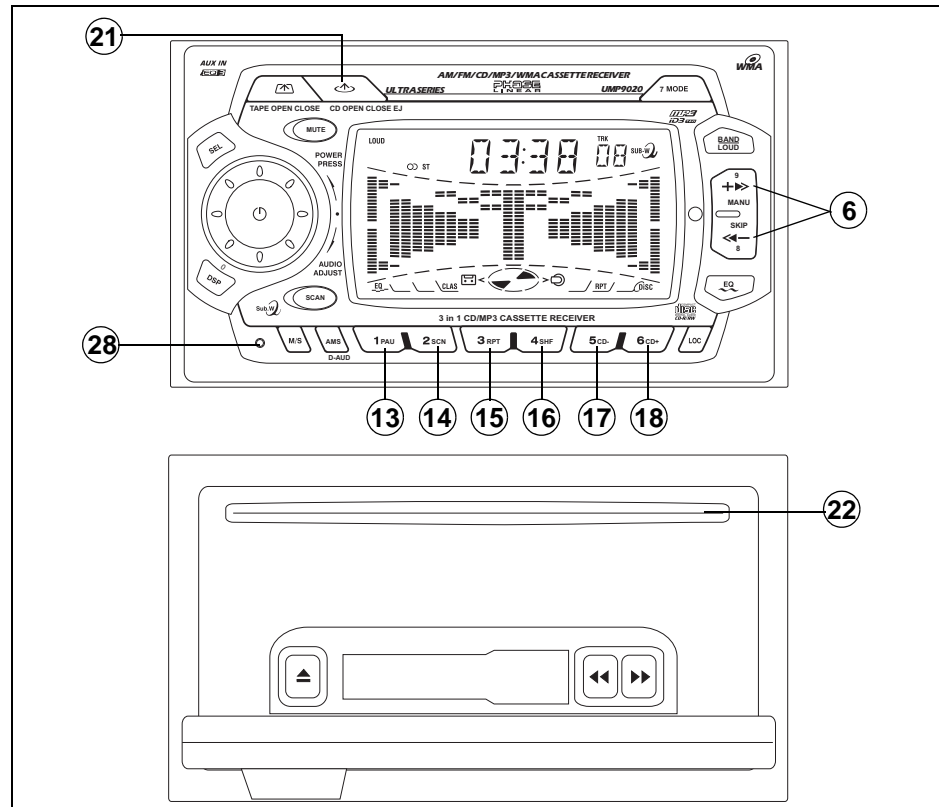


FUNCIONAMIENTO DEL LECTOR DE CD

21 Abrir/Cerrar/Apertura de Disco

Para acceder a la ranura para disco ubicada detrás del panel delantero, presione el botón **OPEN** (21). Esto hace que el panel delantero se abra y doble hacia abajo, dejando a la vista la ranura para disco (22). Con el panel delantero hacia abajo, inserte el disco suavemente dentro de la ranura (con el sello hacia arriba) hasta que el mecanismo de carga suave de CD engancha y jala el disco hacia adentro. Levante el panel delantero nuevamente dentro de la posición y presione para cerrarse. La indicación "CdP" aparecerá momentáneamente en pantalla. La indicación de reproducción () se ilumina y se mueve, el símbolo de disco adentro () aparece y el número de pista aparece en pantalla junto con el tiempo de reproducción transcurrido.

NOTA: La unidad está diseñada para pasar discos compactos estándar de 5" solamente (12 cm.). No intente utilizar CD simples de 3" (8 cm.) en esta unidad, con o sin adaptador, pues puede causar daños en el equipo y/o en el disco. Tales daños no serán cubiertos por la garantía de este producto.



FUNCIONAMIENTO DEL LECTOR DE CD

13 Selector de Ejecución CD/ Pausa

Durante la ejecución de un CD, el presionar este botón **PAU** (13) detendrá el disco. Cuando esto suceda, el símbolo de disco destellará y se suspenderá su ejecución. Cuando se presione nuevamente, la ejecución reiniciará desde el punto en el cual el disco se detuvo y continuará hasta que todas las pistas en el disco se hayan reproducido, luego de lo cual la reproducción se detendrá automáticamente (a menos que el modo de repetición haya sido seleccionado).

6 Selector de Pistas Hacia Adelante

Durante la reproducción, el botón de adelanto de pistas **MANU/SKIP** **▶▶** (6) sirve para seleccionar rápidamente el inicio de una pista en particular que se encuentre más adelante. Cada vez que presione el botón, el número de la próxima pista será seleccionado como se muestra en pantalla.

6 Selector de Pistas Hacia Atrás

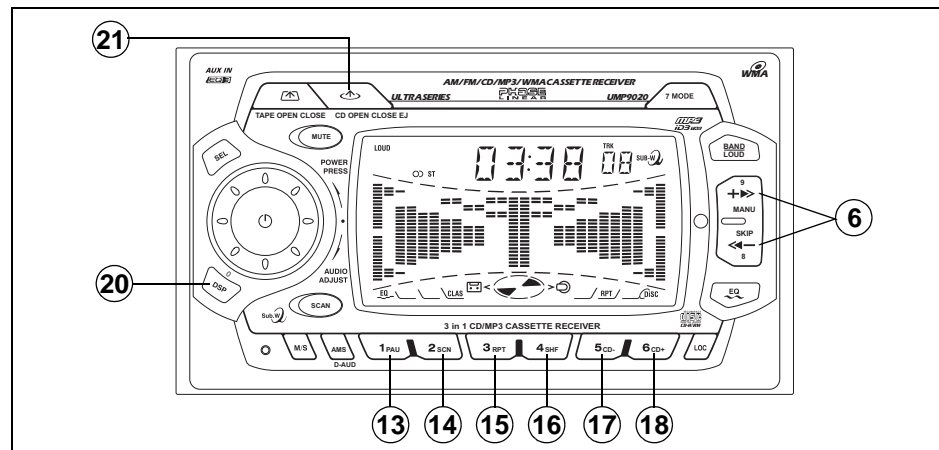
Durante la reproducción, el botón de pistas hacia atrás **MANU/SKIP** **◀◀** (6) sirve para seleccionar rápidamente el inicio de una pista en particular que se encuentre más atrás. Cada vez que presione el botón, el número de la pista anterior será seleccionado como se muestra en pantalla.

6 Funciones de Avance y Retroceso Rápido

Se puede realizar una búsqueda audible de alta velocidad en cualquier sección del disco con la función de Avance y Retroceso. Presione y mantenga el botón de pista hacia adelante **MANU/SKIP** **▶▶** (6) para adelantar rápidamente (el símbolo de reproducción de disco rotará hacia adelante en la pantalla) o el botón de pista hacia atrás **MANU/SKIP** **◀◀** (6) para ir rápidamente en dirección reversa (el símbolo de disco rotará hacia atrás en la pantalla).

14 Selector de Exploración de Pista (SCN)

Durante la reproducción de un disco, presione el botón 2 de exploración (**SCN**, 14) para reproducir los primeros 10 segundos de cada pista ("S-SCN" y el número de pista aparecerán en pantalla). Cuando se alcance la pista deseada, presione el botón de exploración nuevamente para cancelar la función y reproducir la pista seleccionada.



FUNCIONAMIENTO DEL LECTOR DE CD

15 Selector de Reproducción con Repetición (RPT)

Durante la reproducción de un disco, presione el botón **RPT** (15) para repetir la pista deseada ("S-RPT" aparece en pantalla). La ejecución de la pista seleccionada continuará repitiéndose hasta que la función de Repetición de Pistas sea cancelada presionando nuevamente el botón o activando las funciones de Exploración o Selección Aleatoria, de tal modo que "S-RPT" desaparezca de pantalla. También puede cancelar el modo Repetición activando las funciones Exploración de Pistas o Reproducción Aleatoria.

16 Selector de Reproducción Aleatoria (SHF)

Durante la reproducción del disco, presione el botón **SHF** (16) para reproducir las pistas de forma aleatoria o desordenada ("S-SHF" aparecerá en pantalla). En modo de Reproducción Aleatoria, presionando los botones de sintonía/pista/saltear hacia arriba o hacia abajo (**MANU/SKIP**, 6) seleccionará pistas en orden aleatorio en vez de una progresión normal. Para cancelar, presione el botón **SHF** nuevamente. La indicación "S-SHF" desaparece. También puede cancelar el modo Reproducción Aleatoria activando las funciones

Exploración de Pistas o Reproducción Aleatoria.

21 Botón de Expulsión de Disco

Presione el botón de abrir (**CD OPEN CLOSE EJ**, 21) para doblar hacia abajo el panel delantero, exponiendo la ranura de disco (22). Presione y sostenga el botón **CD OPEN CLOSE EJ** para expulsar el disco y para invertir para radiar la operación. Los discos pueden ser expulsados con la ignición del vehículo encendida o apagada. Si un disco expulsado no se quita de la ranura luego de 15 segundos de ser expulsado, el disco se reinsertará automáticamente y el símbolo de disco reaparecerá en pantalla para mostrar que un disco está aún adentro de la unidad.

NOTA: Para prevenir el daño accidental de un disco, siempre quítelo de la unidad cuando se finalice la reproducción del mismo.

OPERACIÓN DEL EQUIPO DE MP3/WMA

Las instrucciones para Insertar/Expulsar, Ejecutar/Detener, Selección de Pista, Avance y Retroceso, Escaneo, Repetición y Reproducción Aleatoria son las mismas para CD y MP3. Por favor, vea la sección Operación de Equipo de CD para obtener información sobre estos temas.

Luego de insertar un disco MP3/WMA, "MP3 T" y el número de pista aparecen momentáneamente en pantalla, seguidos por la Etiqueta Identificatoria (si el equipo tiene esta función). Luego de estas indicaciones iniciales, el número de pista y nombre de la canción aparecen alternativamente, con el nombre de la canción desplazándose por la pantalla de derecha a izquierda.

Información en Pantalla

Presione **DSP** (20) para mostrar la etiqueta ID3 si está disponible. La etiqueta identificatoria contiene el nombre de la canción, artista, álbum, año y/o comentarios. Si no hay etiquetas identificatorias disponibles, "-NO ID3" aparecerá en la pantalla siguiendo los comentarios.

El Directorio y la Carpeta Buscan Encima de/Abajo

La prensa preestableció **5** (17) o preestableció **6** (18) para moverse con el MP3/WMA directorios/archivos. Si el disco no contiene ningún directorios/folders, y todos los canciones/archivos están en el directorio de raíz, después estos botones serán inactivos mientras que juegan este tipo de disco.

Acceso Directo

El botón de **D-AUD** (12) funciona como el botón "búsqueda MP3" en el modo MP3.

Acceso Directo de la Canción o del Archivo

Presione el botón de **D-AUD** (12) una vez para permitir buscar directo de la pista. Utilice preestablecen los botones 1-6, 7 (MODE), 8 (◀), 9 (▶) y 0 (DSP) para seleccionar el canción/archivo deseado. Presione el botón de la **BAND** (5) para jugar la canción seleccionada o archivar o no hacer nada y la unidad buscará y jugará la canción o el archivo en el plazo de tres segundos.

Directorio o Nombre del Archivo de la Búsqueda

1. Presione el botón de **D-AUD** (12) dos veces para permitir buscar del directorio o del nombre del archivo.
2. Utilice los botones correspondientes de la *Tabla 1* para entrar los caracteres A-Z, _ (raya), - (menos), + (más), 0-9 o para utilizar el codificador rotatorio para tener acceso a todos los caracteres. (Véase la *Tabla 1* para los detalles dominantes de la asignación.)
3. Presione el botón de **SEL** (4) para confirmar la entrada de cada carácter.
4. Presione el botón de la **BAND** (5) para comenzar la búsqueda. Si la entrada seleccionada es un nombre de directorio, el "" será exhibido.

5. Utilice ▶ y ◀ los botones (6) para seleccionar el directorio o la canción deseado.
6. Presione el botón de la **BAND** (5) para jugar su selección.

Table 1: Dominantes de la Asignación

AMS	Modo Selecto
BAND	ENTRE
1	A, B, C, 1
2	D, E, F, 2
3	G, H, I, 3
4	J, K, L, 4
5	M, N, O, 5/Directorio Abajo
6	P, Q, R, 6/Directorio Encima de
MODE	S, T, U, 7
◀	V, W, X, 8
▶	Y, Z, ESPACIO, 9
SEL	La Derecha De Cambio De Carácter
DSP	_, -, +, 0
AUDIO ADJUST	Carácter Selecto (A, B-8, 9, 0)

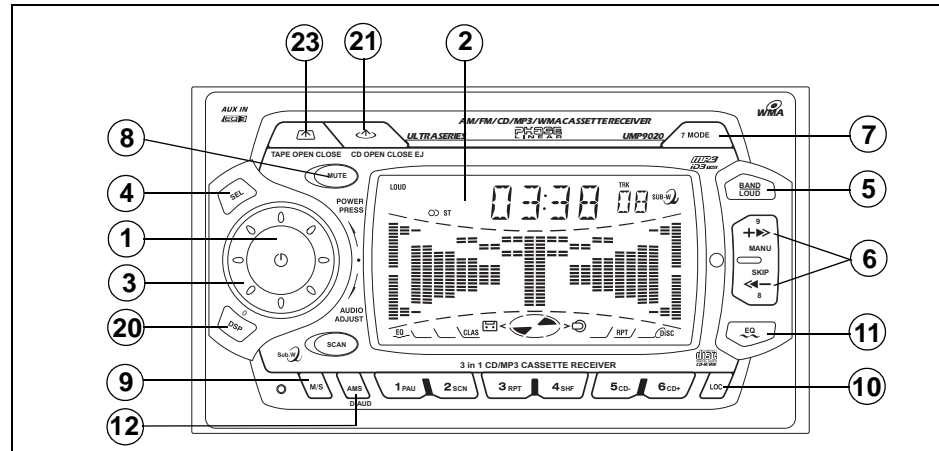
OPERACIÓN DEL EQUIPO DE MP3/WMA

Directorio De Raíz De la Búsqueda

1. Presione el botón de **D-AUD** (12) tres veces de permitir buscar del directorio de raíz.
2. Utilice ►► y ◀◀ los botones (6) para seleccionar el directorio o la canción deseado. La exhibición enumerará todos los directorios y canciones disponibles. Si un directorio está presente, un icono de "D-DIR" aparecerá en la exhibición que indica que la selección actual es un directorio.
3. Presione el botón de la **BAND** (5) para tener acceso al directorio. " " aparecerá en la exhibición que indica que un directorio se ha seleccionado para buscar.
4. Utilice ►► y ◀◀ los botones (6) para seleccionar el directorio o la canción deseado.
5. Presione el botón de la **BAND** (5) para jugar su selección.

Directorio Actual De la Búsqueda

1. Presione el botón de **D-AUD** (12) cuatro veces de permitir buscar del directorio actual.
2. Utilice ►► y ◀◀ los botones (6) para seleccionar la canción deseada.
3. Presione el botón de la **BAND** (5) para jugar su selección.



OPERACIÓN DEL EQUIPO DE CASETE

23 Puerta de Casete/Insertar

Para acceder a la puerta para casete ubicada detrás del panel delantero, presione el botón **TAPE OPEN CLOSE** (23). El panel delantero se abrirá y doblará hacia abajo en posición horizontal, permitiendo espacio para insertar un casete dentro del reproductor. Para insertar un casete, sostenga el casete con el borde con la cinta expuesta hacia la derecha del lado que se desea escuchar, e insértelo completamente dentro de la puerta del casete. Cuando el casete es enganchado e inicia su reproducción, "TAPE" aparece en pantalla acompañado del símbolo de casete (T). La dirección de reproducción se indica por un cursor animado el cual se mueve en forma de cuadrado. La rotación en el sentido de las agujas del reloj indica un movimiento de cinta de izquierda a derecha, mientras que la rotación contraria indica un movimiento de cinta de derecha a izquierda. Cuando el casete alcanza el final de un lado, la unidad automáticamente cambia la dirección de reproducción, como lo muestra la indicación de la flecha en pantalla.

25 Botones de Avance/ Retroceso Rápido

Los botones de avance y retroceso rápido (25) hacen que el casete se mueva rápidamente en la dirección que indican las flechas. Si el botón de avance rápido (▶▶) se presiona cuando el casete está en movimiento de izquierda a derecha, el

casete avanza rápidamente hacia adelante. Si se presione el botón de retroceso rápido (◀◀) mientras el casete se mueve de derecha a izquierda, el casete retrocede. Para detener el movimiento rápido del casete, suavemente presione el botón opuesto. Si se deja al casete adelantar o retroceder rápidamente hasta el final, la reproducción se inicia automáticamente desde el principio.

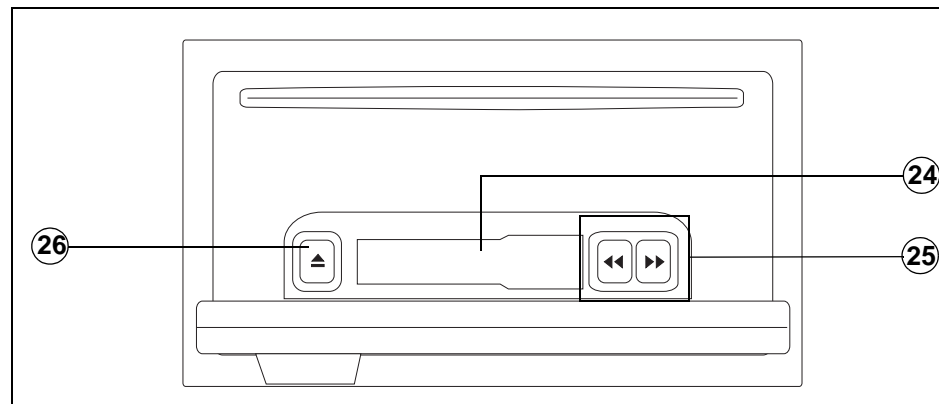
25 Selector de Programa de Casete

Para revertir manualmente la dirección del casete y reproducir el otro lado del casete, suavemente presione ambos botones de avance y retroceso rápido (25) al mismo tiempo. El cambio de dirección se indica por el cursor animado en pantalla.

26 Botón de Expulsión de Casete

Para detener la reproducción del casete y expulsarlo, presione el botón de expulsión ▲ de casete (26), ubicado detrás del panel delantero. Si el botón no está visible, presione el botón de abrir (**TAPE OPEN CLOSE**, 23) para liberar el panel delantero y bajarlo hasta la posición horizontal. La operación del radio automáticamente se reanuda cuando el casete sea expulsado.

NOTA: Nunca deje un casete dentro del equipo cuando no lo utilice. Hacer eso puede causar daños en el casete y/o en el mecanismo de la unidad. Siempre presione el botón de expulsión y quite el casete.



CONTROLES DEL CAMBIADOR DE CD

Dentro del UMP9020 se encuentran los controles para operar un cambiador de CD opcional. Por favor, verifique con su especialista de estéreo de autos Phase Linear/Audiovox o llame al 1-800-323-4815 para obtener recomendaciones sobre modelos que funcionen con este radio.

Las funciones de ajuste de audio (volumen, tono y balances) y de CD (Pausa/Reproducción, SCN, SHF, RPT y TRACK), operan para el cambiador de CD de la misma manera que lo hacen para el radio. Por favor, lea las secciones Operación y Operación de Reproductor de CD para obtener información sobre estos temas.

Los siguientes controles operarán el cambiador de CD cuando esté instalado y conectado a este radio. Diríjase al manual del propietario incluido en el cambiador de CD para obtener instrucciones sobre su instalación, y correcta carga y uso del compartimento de discos compactos.

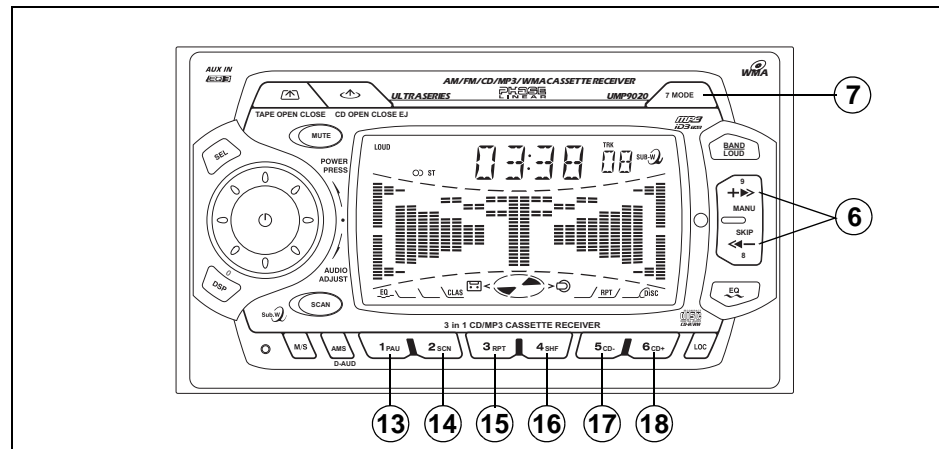
7 Selector de Modo del Cambiador de CD (MODE)

Presione el botón de modo **MODE** (7) para seleccionar operar el cambiador de CD. "CDC" aparecerá en pantalla. La ejecución del disco comenzará y aparecerán en pantalla el disco y

el número de pista. Si se ha realizado una nueva carga del compartimento para discos compactos, la reproducción comenzará desde la primera pista del primer disco en el compartimento. Si el compartimento ya estaba en el cambiador, la reproducción se reanudará desde la pista del disco que estaba previamente en uso.

17, 18 Selección de Disco (DISC + / DISC -)

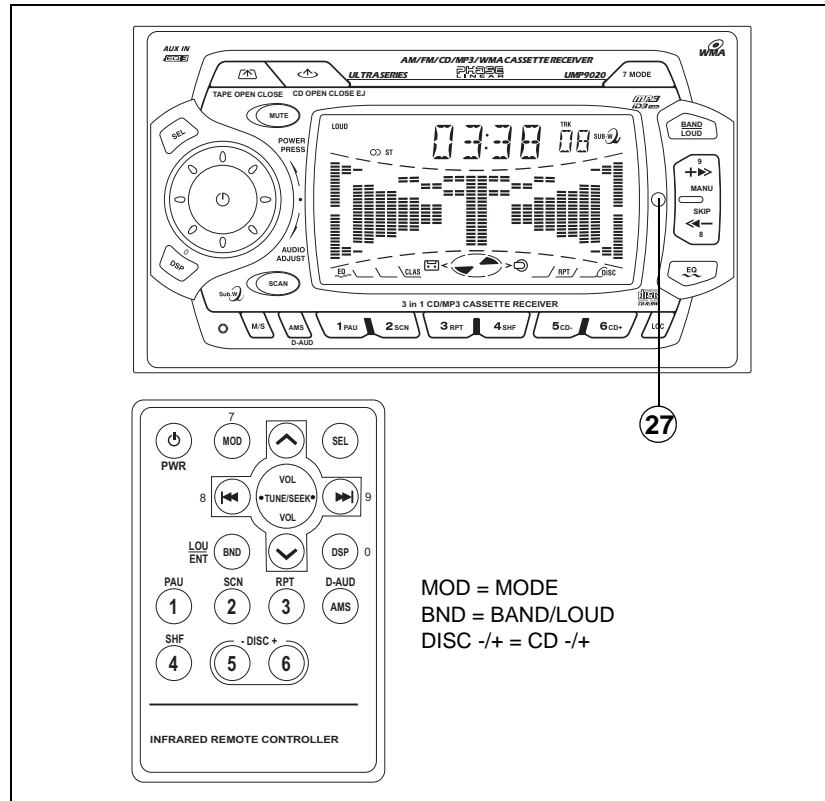
Los botones de **CD-/CD+** (17 y 18) se utilizan para seleccionar el disco que se desea reproducir. Para avanzar a un disco con un número más alto, presione el botón **CD+** (18). Para volver a un disco con un número más bajo, presione el botón **CD-** (17). El número de disco en ejecución aparecerá en pantalla.



OPERACIÓN DEL CONTROL REMOTO INALÁMBRICO

El control remoto le permitirá controlar las funciones básicas del UMP9020.

El sensor infrarrojo (27) detecta la señal de comando infrarroja de la unidad de control remoto.



CUIDADOS Y MANTENIMIENTO

Su nuevo reproductor de radio/CD no requiere mantenimiento. Sin embargo, el entender cómo se lo utiliza y mantiene adecuadamente le ayudará a sacar el máximo provecho de sus capacidades. Recomendamos que conserve este manual para utilizarlo como referencia sobre las funciones de esta unidad así como también la manera en poner en hora el reloj. Se deben respetar los siguientes puntos:

- Cuando limpie el interior del vehículo, no utilice agua o líquidos de limpieza sobre la unidad.
- El reproductor de CD es un instrumento de precisión y no funcionará adecuadamente bajo calor o frío extremos. Si tales condiciones se dan, espere hasta que el interior del vehículo alcance una temperatura normal antes de utilizar el reproductor.
- Si la temperatura dentro del reproductor llega a ser muy caliente, un circuito de protección automáticamente detendrá la ejecución del disco. En este caso, deje que la unidad se enfríe antes de utilizar nuevamente el reproductor.
- Nunca inserte nada que no sea un disco compacto de 5" (12 cm) dentro del reproductor, pues el mecanismo puede ser dañado por objetos extraños.
- No intente utilizar un CD simple de 3" (8 cm.) en esta unidad, con o sin adaptador, pues puede causar daños en el equipo y/o

en el disco. Tales daños no serán cubiertos por la garantía de este producto.

- Cuando no utilice el reproductor, quite el disco compacto. Nunca deje un disco expulsado en la ranura de discos, pues quedaría expuesto a luz solar y a otros posibles daños.
- No intente abrir el chasis de la unidad. No hay partes aprovechables por el usuario o puntos para ajustar por adentro.
- Cuando el vehículo se calienta durante clima frío o bajo condiciones de humedad, puede aparecer condensación en los lentes del reproductor de discos. Si esto ocurre, el reproductor no operará apropiadamente hasta que la humedad se haya evaporado.
- La unidad posee un mecanismo de amortiguación de vibraciones para minimizar la interrupción de la ejecución del disco debido a la vibración normal de un vehículo en movimiento. Sin embargo, cuando esté conduciendo en caminos en malas condiciones, es posible que algunos sonidos se escapen. Esto no rayará o dañará el disco y cuando las malas condiciones del camino cesen, volverá a sonar el disco normalmente.

Manipulando Discos Compactos

Suciedad, polvo, rayas o combas pueden causar saltos en la reproducción y deterioro de la calidad del sonido. Por favor, siga estos

lineamientos para cuidar de sus discos compactos:

- Con cuidado limpie con un paño suave huellas digitales, polvo y suciedad de las superficies del disco. Realice un movimiento recto desde el centro al exterior del disco.
- Nunca utilice químicos tales como vaporizadores para discos o limpiadores del hogar para limpiar CD, pues pueden dañar la superficie del disco irreparablemente.
- Los discos se deben guardar en sus cajas cuando no están en uso.
- No exponga discos a la luz directa del sol, a altas temperaturas o a condiciones de alta humedad por periodos prolongados.
- No pegue papel, cinta o etiquetas en las superficies de los discos.

BOTÓN DE REINICIO

Un botón para reiniciar (28) se encuentra detrás de la cobertura, en el lado izquierdo (el panel delantero debe estar en posición horizontal para acceder al botón). La función de Reinicio (reset) se provee para pretejer el circuito del microprocesador y solamente se debe activar bajo las siguientes circunstancias, pues borrará la hora y las memorias almacenadas previamente: En la instalación inicial, luego de completar todo el cableado; Si hay un mal funcionamiento de cualquiera de los interruptores de la unidad, el presionar el botón de Reinicio puede limpiar el sistema y volver a un normal funcionamiento.

ESPECIFICACIONES

Capacidad de los CD-R y de CD-RW

Dependiendo del tipo de medio y método de grabación, algunos CD-R/RW pueden ser incompatibles con esta unidad. Luego de grabar el CD, **se debe cerrar la sesión**. Por favor, siga los procedimientos recomendados por su programa de grabación para cerrar un disco. Revise su programa de grabación para familiarizarse con los procedimientos correctos de grabación de CD. Recomendamos utilizar las últimas versiones de los programas para grabar discos compactos ROXIO™ o NERO™.

Esta unidad solamente reconocerá los formatos **CDDA (Audio Digital de Disco Compacto) y .MP3 grabados en un CD-R/RW**. Esta unidad no lee .WMA, .WAV, .OGG u otros formatos.

Especificaciones Técnicas



Categorías de Energía CEA

Salida de Energía: Canales 13 watts RMS X4 en 4-ohms en < 1% THD+N
 Señal a Coeficiente de Ruido: 70dBA bajo referencia. (Referencia: 1 watt, 4-ohms)
 Frecuencia de Respuesta 20Hz a 20kHz, -3dB
 Voltaje de Suministro de Referencia: 14.4VDC

Reproductor de CD

Señal a Coeficiente de Ruido: >75dBA
 Frecuencia de Respuesta 20Hz a 18kHz, -3dB
 Separación de Canal: > 55dB en 1kHz
 Convertidor D/A: 1Bit/Ch

Sintonizador FM

Rango de Sintonía: 87.5MHz - 107.9MHz
 Sensibilidad Monoaural: 18dBf
 Sensibilidad de Silenciamiento Estéreo de 50dB: 20dBf
 Separación de Estéreo en 1kHz >30dB

Frecuencia de Respuesta 30Hz a 12kHz, -3dB

Sintonizador AM

Rango de Sintonía: 530kHz -1710kHz
 Sensibilidad en 20dB Señal a Ruido: 30uV
 Frecuencia de Respuesta 30Hz-2kHz, -3dB

General

Alimentación: 11 a 16VDC, negativo a tierra
 Fusibles: Batería - 15 amp/ATO, Ignición/
 Accesorio - 0.5 amp/AGC
 Arnés de conexión rápida de pin 20
 2.0 Din Dimensiones: 4"H x 7"W x 7"D (102mm x 178mm x 178mm)

Especificaciones sujetas a cambios sin notificación.

GARANTIA LIMITADE DE 3 MESES

AUDIOVOX CORPORATION (la Compañía) garantiza al comprador minorista original del presente producto que en el caso de que este producto o cualquiera de las partes del mismo, bajo circunstancias y condiciones de uso normal, tuviera algún defecto, tanto en el material como en la mano de obra, dentro de un plazo de 3 meses a partir de la fecha de compra original, dicho(s) defecto(s) serán reparados o reemplazados (a criterio de la Compañía) sin cargo alguno por las piezas y la mano de obra para la reparación. Para obtener servicios de reparación o sustitución en virtud de los términos y las condiciones de la presente Garantía, se enviará el producto con la correspondiente constancia de la garantía (es decir, la factura con la fecha de compra), especificando los defectos, con flete prepagado, a algún sitio de servicios bajo garantía autorizado o a la Compañía a la dirección que se indica a continuación.

Esta Garantía no cubre la eliminación de la estática del automóvil ni los ruidos del motor, la corrección de los problemas de antena, los gastos incurridos para la remoción o la reinstalación del producto, o los daños provocados a las cintas, los discos compactos, los accesorios o los sistemas eléctricos del vehículo. Esta Garantía no se aplica a aquellos productos, o partes de los mismos, que según opinión de la Compañía, hayan sufrido algún daño o fue dañado como consecuencia de alguna alteración, instalación incorrecta, maltrato, uso indebido, negligencia, accidente o por la

eliminación o mutilación de las etiquetas correspondientes al número de serie y código de barras de la fábrica. LA RESPONSABILIDAD QUE LA COMPAÑÍA ASUME EN VIRTUD DE LA PRESENTE GARANTIA SE LIMITA A LA REPARACION O LA SUSTITUCION QUE SE MENCIONAN ANTES Y, BAJO NINGUNA CIRCUNSTANCIA, LA RESPONSABILIDAD DE LA COMPAÑÍA HABRA DE EXCEDER EL PRECIO DE COMPRA QUE EL COMPRADOR PAGO POR EL PRODUCTO.

Esta Garantía reemplaza a toda otra garantía expresa o implícita. TODA GARANTIA IMPLICITA, INCLUYENDO AQUELLAS GARANTIAS IMPLICITAS DE BUENA CALIDAD Y COMERCIALIZACION, ESTARA LIMITADA A LA DURACION DE ESTA GARANTIA ESCRITA. CUALQUIER TIPO DE DEMANDA JUDICIAL POR INCUMPLIMIENTO DE ALGUNAS DE LAS CONDICIONES DE LA GARANTIA ESPECIFICADA EN EL PRESENTE, INCLUIDA CUALQUIER GARANTIA IMPLICITA DE BUENA CALIDAD Y COMERCIALIZACION, DEBERA PRESENTARSE EN EL PLAZO DE 30 MESES A PARTIR DE LA FECHA DE LA COMPRA ORIGINAL. DE NINGUN MODO LA COMPAÑÍA TENDRA RESPONSABILIDAD ALGUNA POR CUALQUIER DAÑO O PERJUICIO INDIRECTO O INCIDENTAL OCASIONADO POR EL INCUMPLIMIENTO DE LA PRESENTE GARANTIA, O DE CUALQUIER OTRA GARANTIA EXPRESA O IMPLICITA. Ninguna

persona ni representante está autorizada a asumir responsabilidad alguna en nombre de la Compañía, excepto por lo expresado en la presente garantía, en relación con la venta de este producto.

Algunos estados no permiten limitaciones respecto de la duración de una garantía implícita o la exclusión o limitación de los daños indirectos incidentales, por lo tanto, es posible que las limitaciones antes citadas no correspondan en su caso. La presente Garantía le otorga derechos especiales y usted puede gozar de otros derechos que varían de un estado a otro.

U.S.A : Audiovox Corporation, 150 Marcus Blvd., Hauppauge, NY 11788, 1-800-323-4815

CANADA: Llamar a 1-800-323-4815 para la ubicación de la estación que le proporciona servicio de garantía.

Audiovox Electronics Corporation
150 Marcus Boulevard
Hauppauge, NY 11788
1-800-323-4815
www.audiovox.com

©2005 Audiovox
v.041005
Impreso en China

UMP9020

Manual de L'Utilisateur

For instructions in English, refer to page 2.

Para obtener instrucciones en Español, dirijase a la página 22.

PRÉPARATION

Mise en marche

C'est une bonne idée de lire toutes les instructions avant de commencer l'installation.

Table des matières

Instructions d'installation	43
Câblage	44
Instructions d'opération	45
Opération de la platine CD	49
Opération de platine MP3/WMA.....	53
Opération de platine de cassette.....	54
Des controles changeur CD	55
Opération de contrôle sans fil à distance	56
Soin et entretien	57
Specifications	58
Garantie limitée de 3 mois.....	59

Exigences d'installation

Cet appareil est destiné à être installé dans des voitures, des camions et des camionnettes avec une ouverture radio existante. Dans bien des cas, une trousse d'installation spéciale sera exigée pour monter la radio sur le tableau de bord. Ces troussees sont disponibles dans des magasins de fournitures électroniques et des boutiques qui spécialisent dans des stéréos voitures. Vérifiez toujours l'application de la

trousse avant de l'acheter pour assurer que la trousse est compatible avec votre véhicule. Si vous avez besoin d'une trousse et ne pouvez pas en trouver une, veuillez prendre contact avec notre soutien client à 1-800-645-4994 (Etats-Unis et Canada seulement).

Outils et matériel

Vous aurez besoin des outils et du matériel suivants pour installer la radio :

- Type Torx des tournevis plat et Philips
- Des coupeurs de fil et séparateurs d'épuisement
- Outils pour enlever la radio existante (tournevis, un ensemble de clés à douille et d'autres outils)
- Bande électrique
- Outil à sertissage
- Voltmètre/lumière d'épreuve
- Connexions à sertissage
- Fer jauge 18 pour branchage puissance, fer jauge 16 – 18 de haut parleur

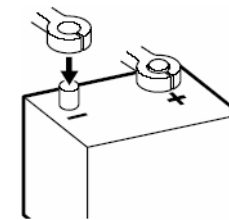
Pour les haut parleurs

Ne connectez que les haut parleurs qui sont évalués pour une impédance de charge de 4

ohms. Des hauts parleurs avec une impédance de charge de moins de 4 ohms peuvent nuire à l'appareil.

Débrancher la batterie

Il faut toujours débrancher la borne de batterie négative avant de commencer.



Aide d'installation gratuite

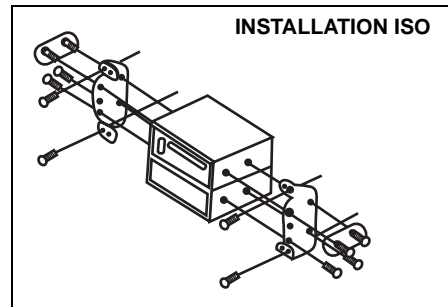
Si vous avez besoin d'aide, prenez contact avec Soutien Technique à 1-800-323-4815 de 8H30 à 19H EST lundi jusqu'à vendredi, et de 9H à 17H EST le samedi (Etats-Unis et Canada seulement).

INSTRUCTIONS D'INSTALLATION

Installation ISO

L'appareil est conçu pour aller dans une ouverture de tableau de bord 2.0 DIN que l'on trouve dans beaucoup de voitures étrangères. L'appareil a des trous taraudés dans les flancs du châssis qui peuvent être utilisés avec les équerres de montage d'usine de certains véhicules Toyota ; Nissan, Mitsubishi, Isuzu, Hyundai et Honda pour monter la radio sur le tableau de bord. Veuillez prendre contact avec votre boutique spécialisée ; local, dans des stéréos voiture pour aide dans ce type d'installation.

1. Enlevez la radio d'usine existante de la planche de bord ou du console central de montage. Préservez tout le matériel et les consoles qui seront utilisés pour monter la nouvelle radio.
2. Ouvrez d'un coup sec le cadre plastique du devant du châssis de la nouvelle radio. Enlevez et jetez le cadre.
3. Enlevez les supports de montage et le matériel de la radio existante et attachez-les à la nouvelle radio.



A NOTER : Ne dépassez pas une taille de clou de 5mm x 9mm. Des clous plus longs peuvent nuire aux composants à l'intérieur du châssis.

4. Placez la radio devant l'ouverture du tableau de bord pour que le câblage puisse être placé à travers le manchon de montage. Suivez le schéma du câblage et assurez-vous que toutes les connexions sont sûres et isolées avec des serres-fils ou de la bande électrique pour assurer le bon fonctionnement de l'appareil. Après avoir terminé avec les connexions du câblage mettez l'appareil en marche pour confirmer l'opération (le véhicule doit être

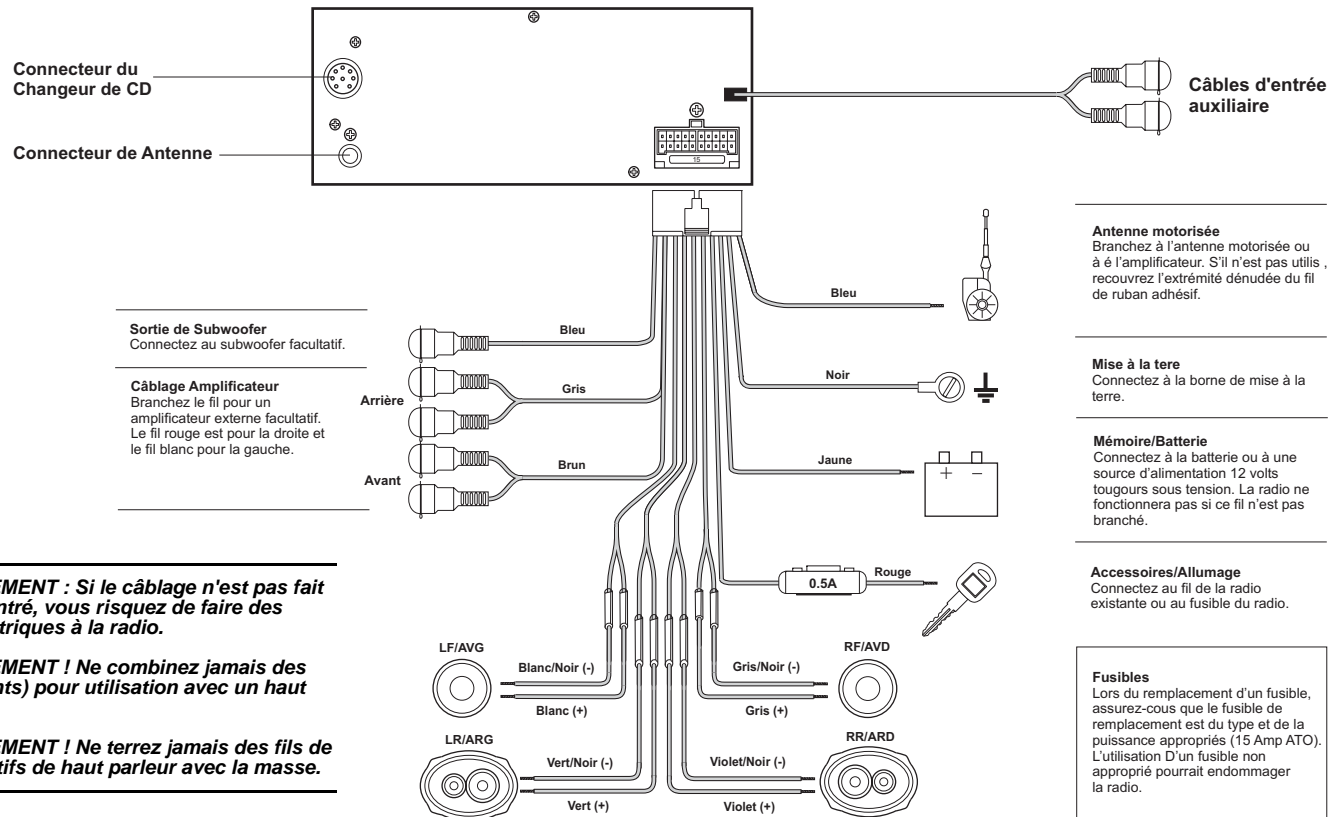
allumé). Si l'appareil ne fonctionne pas, vérifiez de nouveau tout le câblage jusqu'à ce que le problème soit résolu.

5. Montez l'ensemble de la nouvelle radio à la planche de bord ou au console central en renversant la procédure établie par (1).

AVERTISSEMENT : La courroie de soutien doit être utilisée pour empêcher qu'il y ait des dégâts au tableau de bord du poids de la radio ou une opération incorrecte à cause de la vibration.

AVERTISSEMENT : Pour une bonne opération de la platine CD le châssis doit être monté dans un angle de 20° de l'horizontal. Assurez vous que l'appareil est monté avec cette limitation.

CÂBLAGE



AVERTISSEMENT : Si le câblage n'est pas fait comme montré, vous risquez de faire des dégâts électriques à la radio.

AVERTISSEMENT ! Ne combinez jamais des sorties (ponts) pour utilisation avec un haut parleur.

AVERTISSEMENT ! Ne terrez jamais des fils de sortie négatifs de haut parleur avec la masse.

Antenne motorisée
Branchez à l'antenne motorisée ou à é l'amplificateur. S'il n'est pas utilis , recouvrez l'extrémité dénudée du fil de ruban adhésif.

Mise à la tere
Connectez à la borne de mise à la terre.

Mémoire/Batterie
Connectez à la batterie ou à une source d'alimentation 12 volts toujours sous tension. La radio ne fonctionnera pas si ce fil n'est pas branché.

Accessoires/Allumage
Connectez au fil de la radio existante ou au fusible du radio.

Fusibles
Lors du remplacement d'un fusible, assurez-vous que le fusible de remplacement est du type et de la puissance appropriés (15 Amp ATO). L'utilisation D'un fusible non approprié pourrait endommager la radio.

INSTRUCTIONS D'OPERATION

① Bouton puissance en marche/en arrêt

Appuyez sur le bouton **POWER** (1) pour mettre l'appareil en marche ou en arrêt lorsque le véhicule est allumé. Lorsque l'appareil est en arrêt, l'horloge est automatiquement affichée sur le panneau d'affichage à cristaux liquides, à moins que le clé de contact est en arrêt. Lorsque la radio est en arrêt quand le clé de contact est en arrêt, il faut appuyer sur le bouton **POWER** pour mettre la radio en marche après avoir allumé le véhicule. Si le clé de contact est mis en arrêt lorsque la radio est en marche, la radio va se mettre en marche automatiquement lorsque le clé de contact est remis en marche.

② Panneau d'affichage à cristaux liquides

Le panneau de l'affichage à cristaux liquides affiche la fréquence, l'heure et toutes les fonctions activées. L'affichage comprend une graphique à barres codée en couleur. Ces sections fournissent une représentation visuelle du niveau de signalment, représentée par le nombre et l'amplitude des segments dans chaque graphique.

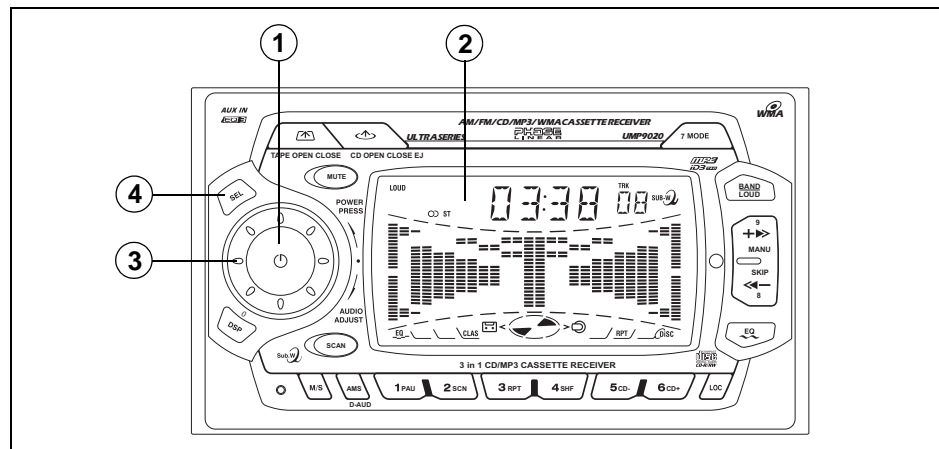
A NOTER : C'est un caractéristique des panneaux d'affichage à cristaux liquides que lorsqu'ils sont exposés à des températures froides pendant des périodes longues, ils peuvent mettre un peu plus longtemps pour s'allumer que dans des conditions normales. En outre, la visibilité des numéros sur le panneau d'affichage à cristaux liquides peut diminuer. La lecture du panneau d'affichage à cristaux liquides va revenir au normal lorsque les températures à l'intérieur du véhicule augmentent jusqu'au niveau normal.

③ Contrôle du volume

Pour augmenter ou diminuer le niveau du volume tourner le contrôle volume (**AUDIO ADJUST**, 3). Le volume augmentera et le niveau sera affiché sur le panneau d'affichage d'un minimum de « 00 » jusqu'au maximum de « 100 ». L'affichage reviendra automatiquement au normal dans 5 secondes, après le dernier ajustement du volume ou lorsqu'une autre fonction est activée. Ce bouton est aussi utilisé pour ajuster les niveaux basse, aigu, égaliseur et équilibre.

④ Bouton de sélection (SEL)

Appuyez sur le bouton **SEL** (4) deux fois pour régler l'appareil pour ajustement du basse (BAS et le numéro de réglage va apparaître momentanément sur le panneau d'affichage). Appuyez sur le bouton de nouveau en nouveau pour sélectionner le l'aigu (TRB), l'égaliseur (BAL) et équilibreur (FAD) et volume (VOL). Tournez le bouton **AUDIO ADJUST** pour ajuster les niveaux.



INSTRUCTIONS D'OPERATION

④ Contrôle de basse

Pour ajuster le niveau de basse, appuyez sur le bouton **SEL** (4) jusqu'à ce que le mot **BAS** apparaisse sur le panneau d'affichage. Dans 5 secondes, faites tourner le contrôle du volume (**AUDIO ADJUST**, 3) pour ajuster le basse de « -10 » à « +10 ». « 00 » représente une réponse plate.

④ Contrôle de aigu

Pour ajuster le niveau d'aigu, appuyez sur le bouton **SEL** (4) jusqu'à ce que « **TRB** » apparaisse sur le panneau d'affichage. Dans 5 secondes, faites tourner le contrôle volume (**AUDIO ADJUST**, 3) pour ajuster l'aigu d'un minimum de « -10 » jusqu'au maximum de « +10 ». « 00 » représente une réponse plate.

④ Contrôle d'équilibre droite/ gauche

Pour ajuster l'équilibre entre les hauts parleurs de droite et de gauche, appuyez sur le bouton **SEL** (4) jusqu'à ce que « **BAL** » apparaisse sur le panneau d'affichage. Dans cinq secondes, faites tourner le contrôle volume (**AUDIO ADJUST**, 3) pour ajuster l'équilibre entre les hauts parleurs de droite et de gauche de « 10R » (plein droite) à « 10L » (plein gauche). « L=R » représente un équilibre parfait entre les hauts parleurs de droite et de gauche.

④ Contrôle d'équilibre avant/ arrière

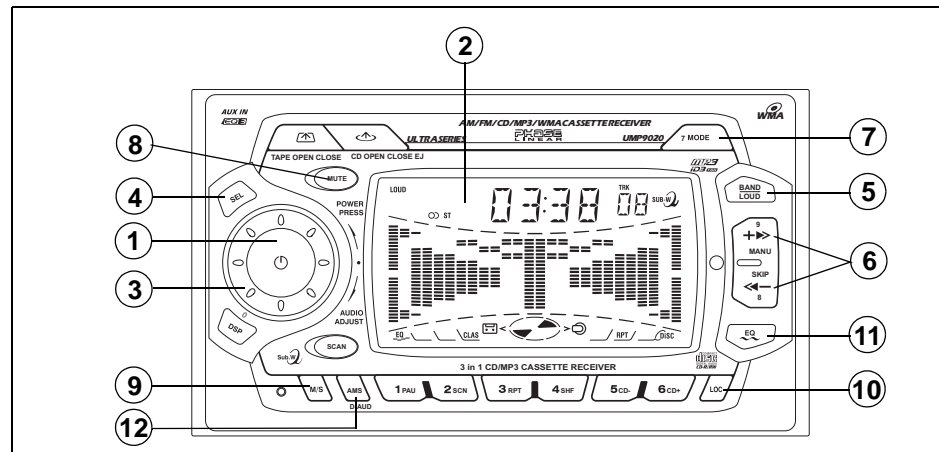
Pour ajuster l'équilibre entre les hauts parleurs d'avant et d'arrière, appuyez sur le bouton **SEL** (4) jusqu'à ce que « **FAD** » apparaisse sur le panneau d'affichage. Dans cinq secondes, faites tourner le contrôle volume (**AUDIO ADJUST**, 3) pour ajuster l'équilibre entre les hauts parleurs d'avant et d'arrière de « 10R » (plein arrière) à « 10F » (plein avant). « F=R » représente un équilibre parfait entre les hauts parleurs d'avant et d'arrière.

⑤ Sélectionneur de bande AM/FM

Alors que la radio est en train de jouer, chaque fois que le bouton **BAND** (5) est appuyé, la bande de la radio change. Les indications « **AM** » ou « **FM** » apparaissent sur le panneau d'affichage selon votre sélection.

⑤ Contrôle d'intensité (BAND/LOUD)

Lorsque vous écoutez la musique à des volumes bas, cette fonction va augmenter des gammes basse et aigu pour compenser les caractéristiques de l'ouïe humaine. Appuyez sur le bouton **BAND/LOUD** (5) pour activer cette fonction comme indiqué par « **LOUD ON** » sur le panneau d'affichage. Appuyez de nouveau sur le bouton **BAND/LOUD** pour désactiver cette fonction et « **LOUD OFF** » va apparaître sur le panneau d'affichage.



INSTRUCTIONS D'OPERATION

⑥ Contrôle de syntonisation

Contrôle de syntonisation à la recherche

Appuyez sur n'importe quel côté du bouton **MANU/SKIP** (6) pour syntoniser rapidement jusqu'à la prochaine station de radio et arrêtez-vous. Si la radio est dans la mode locale (indiqué par « LOC » sur le panneau d'affichage), la radio va s'arrêter à la prochaine station de radio forte et va sauter les stations distantes.

Contrôle de syntonisation à la main

Pour sélectionner une station de radio à la main, appuyez et maintenez sur n'importe quel côté du bouton **MANU/SKIP** (▶◀, ◀▶) (6) jusqu'à ce que le « MANUAL » paraisse dans l'affichage. Dans cinq secondes, employez l'haut ou vers le bas l'accord se bouton pour avancer le chiffre de l'unité une plus haut ou inférieur.

⑦ Bouton mode (MODE)

Appuyez sur le bouton **MODE** (7) pour changer entre radio, TV, AUX, CD, changeur CD. Lorsqu'un CD est en train de jouer, vous pouvez appuyer sur ce bouton pour revenir à l'opération radio.

⑦ Subwoofer (MODE)

Pour activer le subwoofer, appuyez sur et tenez le bouton de **MODE** (7) pendant plus de 2 secondes.

⑧ Muet audio (MUTE)

En appuyant sur le bouton **MUTE** (8), une indication « MUTE » va apparaître sur le panneau d'affichage et le volume sera assourdi. En appuyant de nouveau sur le

bouton **MUTE**, ou en appuyant sur les boutons contrôle volume ou le bouton de sélection (**AUDIO ADJUST**, 3) vous pouvez retourner le niveau du volume au réglage en utilisation avant que la fonction **MUTE** ait été activée.

⑨ Sélection FM mono (MON)

Pendant l'opération radio FM, appuyez sur le bouton **M/S** (9) pour sélectionner la réception mono ou stéréo du signal transmis. Dans les conditions de réception normale, l'appareil doit être laissé en mode stéréo comme indiqué par l'icône **ST** sur le panneau d'affichage, lorsque vous êtes sur un signal stéréo FM. Si le signal stéréo fait trop de bruit et empêche une écoute confortable, appuyez sur le bouton **M/S** pour changer à une écoute mono. Pour revenir à la mode de réception stéréo, appuyez de nouveau sur ce bouton.

⑩ Bouton local (LOC)

Pendant l'opération radio, les signaux reçus sont d'habitude en mode stéréo comme indiqué par l'icône **ST** ; cependant, lorsque les signaux sont faibles ou intermittents, il vaut la peine d'activer le mode Local (**LOC**) en appuyant sur le bouton **LOC** (10) (« LOC » apparaît sur l'affichage). Ce mode favorise l'accès aux stations locales, dont les signaux sont plus forts et donne une réception radio améliorée. Appuyez de nouveau sur le bouton **LOC** pour terminer la mode de réception locale (« LOC » disparaît du panneau d'affichage).

⑪ Sélectionneur d'égaliseur (EQ)

Le bouton **EQ** (11) applique des effets sonores pré-réglés au signal de sortie audio de l'appareil. Lorsqu'il est appuyé, il va activer une des modes suivantes : **FLAT**, **CLASSICS**, **POP M**, **ROCK M**, ou **DSP OFF**. Lorsque la fonction Egaliseur est active, les niveaux de basse et d'aigu peuvent toujours être changés pour accommoder l'oreille de l'auditeur. Lorsque la fonction **EQ** n'est pas active, l'appareil reviendra aux niveaux de basse et d'aigu réglés par l'auditeur.

⑫ Balayage pré-réglé/auto stockage (AMS)

Appuyez sur ce bouton **AMS** (12) pour balayer les stations stockées dans la bande AM ou FM courante. L'appareil s'arrête à chaque station pré-réglée pendant 10 secondes (le numéro de la station pré-réglée sur l'affichage va clignoter lorsque la station correspondante est jouée). Appuyez de nouveau sur **AMS** pour arrêter le balayage pré-réglé et écouter la fréquence sélectionnée.

Appuyez sur le bouton **AMS** (12) pendant plus de 2 secondes pour activer la fonction syntonisation Auto Stockage. La fonction Auto Stockage balaye automatiquement et entre jusqu'à 6 stations dans la mémoire pré-réglée de la bande en usage. Si la radio est en mode locale (« LOC » sur le panneau d'affichage) la radio ne balaye et entre que les stations fortes locales. Si vous activez la fonction Auto Stockage, vous effacez toutes les stations pré-réglées existantes. Cette fonction est très utile lorsque vous voyagez dans une région nouvelle où vous ne connaissez pas les stations locales.

INSTRUCTIONS D'OPERATION

⑬ - ⑱ Mémoires pré-réglées de station

Pour régler une des 6 mémoires pré-réglées (13-18) dans chaque bande, utilisez la procédure suivante :

1. Mettez la radio en marche et sélectionnez une bande
2. Sélectionnez la première station à être pré-réglée en utilisant les boutons **MANU/ SKIP** (6).
3. Appuyez sur le bouton pré-réglé à être réglé et maintenez pour à peu près 2 secondes. Le numéro pré-réglé va apparaître sur le panneau d'affichage. La station est maintenant stockée et peut être rappelée à n'importe quel moment en appuyant sur ce bouton.
4. Répétez la procédure ci-dessus pour les 5 pré-réglés qui restent. Six stations peuvent être stockées pour chacune des bandes.

⑳ Sélectionneur de l'affichage

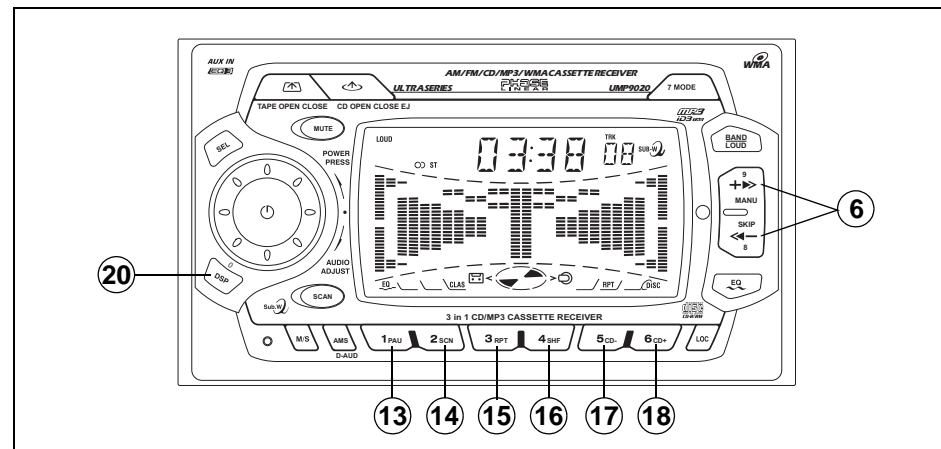
Cet appareil peut afficher soit le temps de l'horloge soit les fonctions fréquence radio/platine CD. Normalement, l'indication de la fréquence radio ou la piste de platine CD est affichée, mais l'appareil va afficher le temps lorsque le bouton **DSP** (18) est

appuyé. Le temps sera affiché pendant cinq secondes et puis l'appareil reviendra à l'affichage de l'opération radio ou à la fonction platine CD.

Régler l'horloge



1. Mettez en marche l'allumage du véhicule et la radio.
2. Appuyez sur le bouton de **DSP** (20) pour montrer l'horloge.
3. Appuyez sur et tenez le bouton de **DSP** (20) jusqu'à ce que le temps clignote.
4. Appuyez sur le bouton vers le bas d'accord (**◀**) (6) pour ajuster les heures et l'indication d'AM/PM ou le bouton d'accord haut (**▶**) (6) d'ajuster les minutes.

Le temps ajusté demeurera sur l'affichage d'affichage à cristaux liquides pendant 5 secondes, ou jusqu'à **DSP** le bouton est appuyé sur encore.

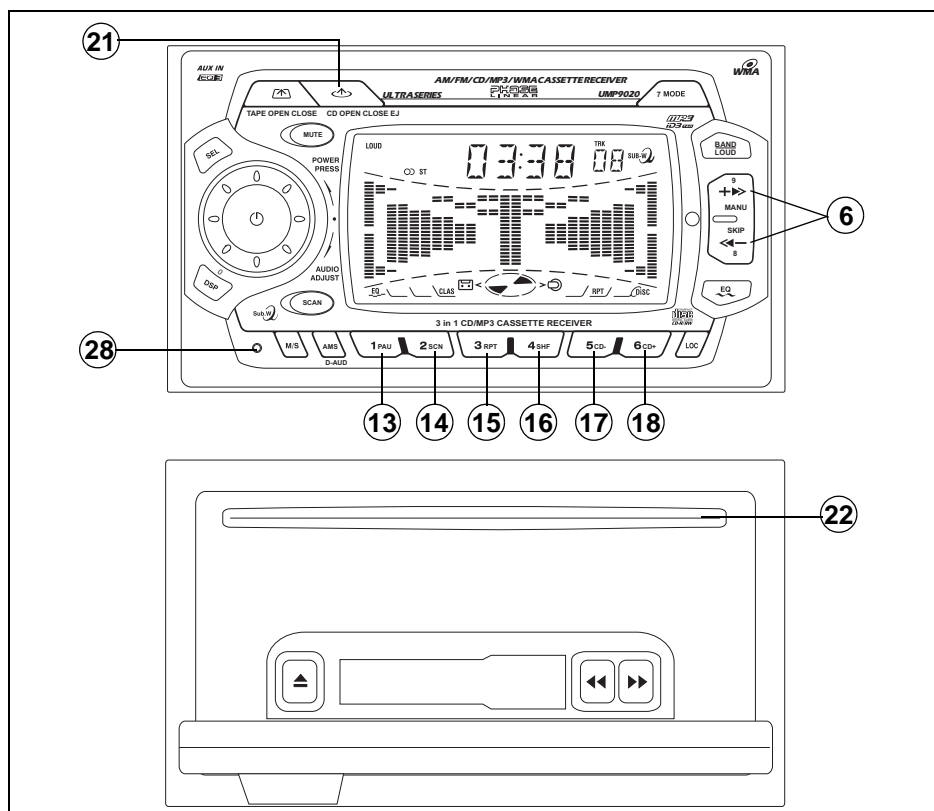


OPÉRATION DE LA PLATINE CD

21 Fente CD ouvert/fermé/ disque

Pour accéder à la fente du disque située derrière le panneau d'avant, appuyez sur le bouton **OPEN** (21). Le panneau d'avant ouvre et se déplie révélant la fente du disque (22). Avec le panneau d'avant dans cette position de dépli, insérez doucement le disque dans la fente (étiquette en haut) jusqu'à ce que le mécanisme de chargement doux s'engage et tire le disque vers l'intérieur. Soulevez le panneau avant de nouveau dans la position et serrez pour se fermer. L'indication « CdP » va apparaître momentanément sur l'affichage. L'indication reproduction du disque () s'allume et devient animé, le symbole de disque () apparaît et le numéro de piste apparaît sur le panneau d'affichage avec le temps de reproduction écoulé.

A NOTER : Cet appareil est conçu pour jouer des disques compacts de taille standard 5" (12 cm) seulement. N'essayez pas d'utiliser des disques compacts de 3" (8cm), avec ou sans adaptateur, comme cela peut causer des dégâts à la platine ou au disque. De tels dégâts ne seront pas couverts par le garanti sur ce produit.



OPÉRATION DE LA PLATINE CD

13 Sélectionneur de jeu CD/ pause

Appuyant sur ce bouton **PAU** (13) alors qu'un disque est en train de jouer va faire une pause. En pause, le symbole du disque va clignoter et le jeu sera suspendu. Lorsque vous appuyez sur ce bouton de nouveau, la reproduction va reprendre à partir de l'endroit où le disque s'était arrêté et va continuer jusqu'à ce que toutes les pistes aient été jouées, après quoi la reproduction va s'arrêter automatiquement (à moins que la mode de répétition ait été sélectionnée).

6 Sélectionneur de piste avancée

Le bouton de piste avancée (**MANU/SKIP** ►►, 6) est utilisée, lorsque le disque est en train de jouer pour sélectionner le début d'une piste dans le sens avancé. Avec chaque appui du bouton, le prochain numéro de piste supérieur va être sélectionné comme indiqué par le panneau d'affichage.

6 Sélectionneur de piste reculé

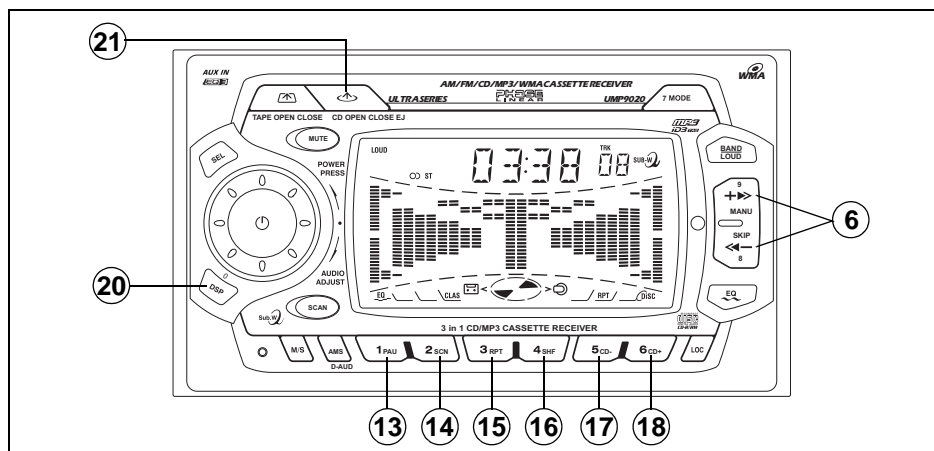
Le bouton de piste reculée (**MANU/SKIP** ◀◀, 6) est utilisée lorsque le disque est en train de jouer pour sélectionner rapidement le début d'une piste dans le sens reculé. Avec chaque appui du bouton, le prochain numéro de piste inférieur va être sélectionné comme indiqué par le panneau d'affichage.

6 Fonctions repère/revue

Une recherche audible à grande vitesse peut être effectuée en utilisant les fonctions Repère et Revue. Appuyez et maintenez sur le bouton **MANU/SKIP** (►►, 6) pour avancer rapidement dans (le symbole du jeu du disque va tourner dans le sens avancé dans le panneau d'affichage) ou sur le bouton **MANU/SKIP** (◀◀, 6) pour reculer rapidement (le symbole du jeu du disque va tourner dans le sens reculé dans le panneau d'affichage).

14 Sélection du balayage de piste (SCN)

Appuyez sur le bouton **SCN** (14), alors que le disque est en train de jouer, pour jouer les dix premières secondes de chaque piste. (« S-SCN » sera affiché avec le numéro de piste). Lorsque vous arrivez à une piste désirée, appuyez de nouveau sur le bouton **SCN** pour annuler cette fonction et jouer la piste sélectionnée.



OPÉRATION DE LA PLATINE CD

15 Sélectionneur de jeu répété (RPT)

Alors qu'un disque est en train de jouer, appuyez sur le bouton **RPT** (15) pour répéter la reproduction d'une piste désirée (« S-RPT » apparaît sur le panneau d'affichage). La reproduction de la piste sélectionnée va continuer à se répéter jusqu'à ce que la fonction Répétition de Piste soit annulée en appuyant de nouveau sur ce bouton, ou en activant les fonctions Balayage ou Reproduction au hasard qui fait que l'indication « S-RPT » disparaît. Vous pouvez aussi annuler la mode de Reproduction Répétée en activant les fonctions Balayage de piste ou Reproduction au hasard.

16 Sélectionneur de mode reproduction au hasard (SHF)

Alors qu'un disque est en train de jouer, appuyez sur le bouton **SHF** (16) pour jouer les pistes sur un disque dans un ordre mélangé ou au hasard (« S-SHF » apparaît sur le panneau d'affichage). En mode Reproduction au Hasard, vous pouvez appuyer sur les boutons **MANU/ SKIP** vers le haut ou vers le bas (6) pour sélectionner des pistes dans un ordre mélangé au lieu de la progression normale. Pour annuler, appuyez de nouveau sur le bouton

SHF. L'indication « S-SHF » disparaît. Vous pouvez annuler la mode de Reproduction au hasard, en activant les fonctions Balayage de piste ou Reproduction au hasard.

21 Bouton d'éjection du disque

Appuyez sur le bouton **CD OPEN CLOSE EJ** (21) qui permet au panneau d'avant de se déplier, exposant la fente du disque (22). Appuyez sur et tenez le bouton **CD OPEN CLOSE EJ** pour éjecter le disque et pour retourner pour transmettre par radio l'opération. Des disques peuvent être éjectés avec le commutateur d'allumage en marche ou en arrêt. Si un disque éjecté n'est pas enlevé dans 15 secondes, le disque va être automatiquement réinséré et le symbole du disque va apparaître sur le panneau d'affichage pour indiquer qu'un disque est toujours logé dans l'appareil.

A NOTER : Pour éviter de nuire au disque, enlevez toujours le disque de l'appareil lorsque le jeu du disque est terminé.

OPERATION DE PLATINE MP3/WMA

Les instructions pour Insérez et Éjectez le CD, Pause, Saut de Plage, Balayage, Répétition, et Lecutre Aléatoire sont les mêmes pour le CD et l'opération MP3. Veuillez voir la section d'opération de joueur de CD pour des informations sur ces matières.

Après insertion d'un disque de MP3/WMA, « MP3 T » et le numéro de la piste apparaît pendant quelques secondes, suivi par l'onglet ID. Après ces indications initiales, le numéro de la piste et le nom de la chanson apparaissent alternativement et le nom de la chanson se défile de droite à gauche sur le panneau d'affichage.

L'information d'affichage

Appuyez sur **DSP** (20) pour afficher l'onglet ID3 si soutenu. L'onglet ID peut spécifier le nom de la chanson, l'artiste, l'album, l'année et/ou des commentaires. Si un onglet ID n'est pas disponible, le mot « -NO ID3 » va apparaître juste après les commentaires.

L'annuaire et la chemise Recherchent haut/bas

La pression a préréglé **5** (17) ou a préréglé **6** (18) pour se déplacer par le MP3/WMA annuaires/chemises. Si le disque ne contient aucun directories/folders, et tous les chansons/dossiers sont dans le répertoire racine, alors

ces boutons seront inactifs tout en jouant ce type de disque.

Utilisation du bouton de recherche de MP3 (D-AUD)

Le bouton de **D-AUD** (12) fonctionne comme bouton recherche MP3 en mode MP3.

Accès direct de chanson ou de dossier

Appuyez sur le bouton de **D-AUD** (12) une fois pour permettre la recherche directe de voie. Employez préréglent des boutons 1-6, 7 (MODE), 8 (◀), 9 (▶) et 0 (DSP) pour choisir le chanson/dossier désiré. Appuyez sur le bouton de **BAND** (5) pour jouer la chanson choisie ou classer ou ne faire rien et l'unité recherchera et jouera la chanson ou le dossier dans trois secondes.

Annuaire ou nom de fichier de recherche

1. Appuyez sur le bouton de **D-AUD** (12) deux fois pour permettre la recherche d'annuaire ou de nom de fichier.
2. Utilisez les boutons correspondants du *Tableau 1* pour entrer les caractères A-Z, _ (soulignage), - (sans), + (plus), 0-9 ou pour employer l'encodeur rotatoire pour accéder à tous les caractères. (Voir le *Tableau 1* pour les détails principaux de tâche.)
3. Appuyez sur le bouton de **SEL** (4) pour confirmer l'entrée de chaque caractère.

4. Appuyez sur le bouton de la **BAND** (5) pour commencer la recherche. Si l'entrée choisie est un nom d'annuaire, le « ` ` » sera montré.
5. Employez ▶ et ◀ des boutons (6) pour choisir l'annuaire ou la chanson désiré.
6. Appuyez sur le bouton de la **BAND** (5) pour jouer votre choix.

Tableau 1: Principaux de tâche

AMS	Mode Choisi
BAND	ENTREZ
M1	A, B, C, 1
M2	D, E, F, 2
M3	G, H, I, 3
M4	J, K, L, 4
M5	M, N, O, 5/Annuaire Vers le bas
M6	P, Q, R, 6/Annuaire Vers le haut
MODE	S, T, U, 7
◀	V, W, X, 8
▶	Y, Z, ESPACE, 9
SEL	Droite De Décalage De Caractère
DSP	_, -, +, 0
AUDIO ADJUST	Caractère Choisi (A, B-8, 9, 0)

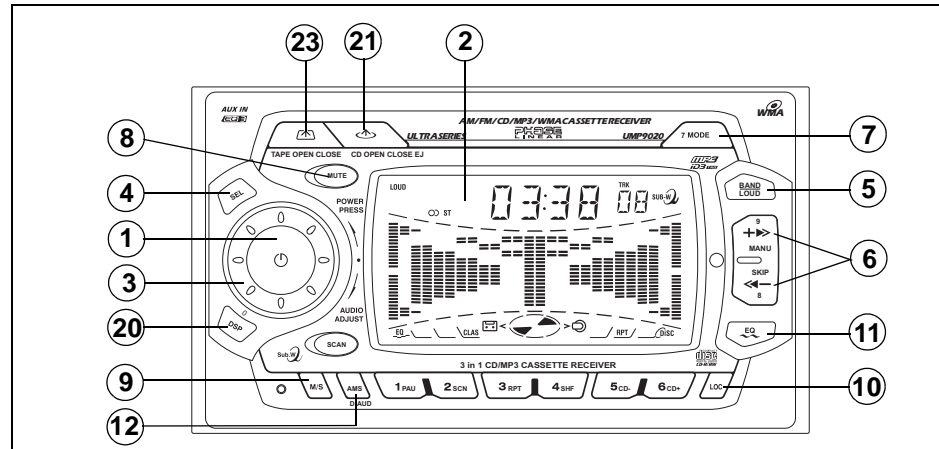
OPERATION DE PLATINE MP3/WMA

Répertoire racine de recherche

1. Appuyez sur le bouton de **D-AUD** (12) trois fois de permettre la recherche de répertoire racine.
2. Employez **▶▶** et **◀◀** des boutons (6) pour choisir l'annuaire ou la chanson désiré. L'affichage énumérera tous les annuaires et chansons disponibles. Si un annuaire est présent, une icône d'D-DIR sera évident dans l'affichage indiquant que le choix courant est un annuaire.
3. Appuyez sur le bouton de la **BAND** (5) pour accéder à l'annuaire « ` ` » sera évident dans l'affichage indiquant qu'un annuaire a été choisi pour la recherche.
4. Employez **▶▶** et **◀◀** des boutons (6) pour choisir l'annuaire ou la chanson désiré.
5. Appuyez sur le bouton de la **BAND** (5) pour jouer votre choix.

Annuaire courant de recherche

1. Appuyez sur le bouton de **D-AUD** (12) quatre fois de permettre la recherche d'annuaire courant.
2. Employez **▶▶** et **◀◀** des boutons (6) pour choisir la chanson désirée.
3. Appuyez sur le bouton de la **BAND** (5) pour jouer votre choix.



OPERATION DE PLATINE CASSETTE

23 Porte de la cassette/insérer

Pour accéder à la porte de la cassette, située derrière le panneau d'avant, appuyez sur le bouton **TAPE OPEN CLOSE** (23). Le panneau d'avant va s'ouvrir et se déplier dans une position horizontale, permettant l'insertion d'une cassette dans l'appareil. Pour insérer une cassette, tenez la cassette avec la bande exposée du côté à être joué à la droite, et insérez-la dans la porte de la magnétophone. Aussitôt que la cassette est engagée et commence la reproduction, « TAPE » apparaît sur le panneau d'affichage et le symbole de la bande (T) apparaît. La direction de la reproduction est indiquée par un curseur animé qui se déplace dans un carré. Le mouvement dans le sens des aiguilles d'une montre indique un mouvement de la bande de gauche à droite, et un mouvement contre le sens des aiguilles d'une montre indique un mouvement de droite à gauche. Lorsque la cassette arrive à la fin d'un côté l'appareil automatiquement change de direction comme indiqué par les flèches sur le panneau d'affichage.

25 Les boutons avance rapide et recul rapide

Les boutons avance rapide et recul rapide fait en sorte que la bande se déplace rapidement dans la direction indiquée par les flèches. Si le bouton d'avance rapide (▶▶) est appuyé lorsque la bande se déplace de gauche à droite, la bande avance rapidement. Si le bouton de recul rapide (◀◀) est appuyé alors que la bande se déplace de droite à

gauche, la bande rembobine. Pour arrêter le mouvement rapide de la bande, appuyez légèrement le bouton contraire. Si vous permettez à la bande d'avancer ou de reculer rapidement jusqu'à la fin, la reproduction commence automatiquement dès le début.

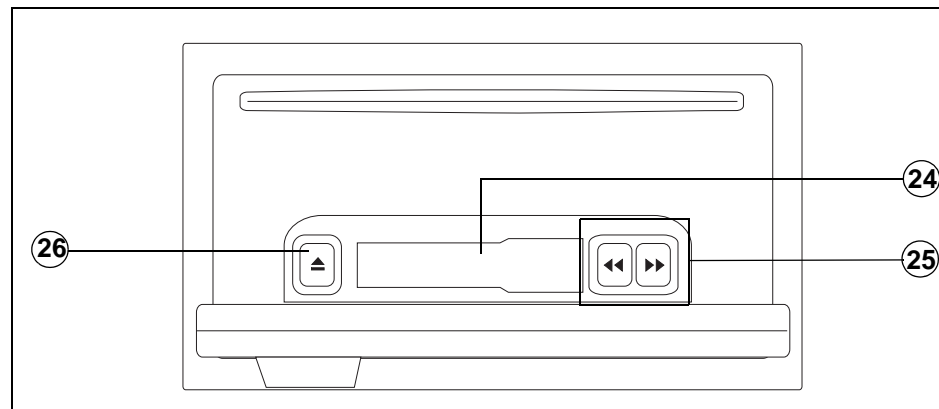
25 Sélectionneur de programme magnétophone

Pour changer la direction de la bande à la main et jouer l'autre côté de la bande, appuyez légèrement sur les boutons avance rapide et recul rapide (25) à la fois. Le changement de la direction est indiqué par le curseur animé sur le panneau d'affichage.

26 Bouton d'éjection

Pour arrêter la reproduction de la bande et l'éjecter, appuyez sur le bouton d'éjection ▲ de la cassette (26), situé derrière le panneau d'avant. Si le bouton n'est pas visible, appuyez sur le bouton **TAPE OPEN CLOSE** (23) pour relâcher le panneau d'avant et le rabaisser dans une position horizontale. L'opération radio reprend automatiquement lorsque la cassette est éjectée.

A NOTER : Ne laissez jamais une cassette engagée lorsque la magnétophone n'est pas en usage. Ceci peut nuire à la cassette et/ou au mécanisme de l'appareil. Appuyez toujours sur le bouton d'éjection et enlevez la cassette.



DES CONTROLES CHANGEUR CD

Des contrôles sont encastrés dans le UMP9020 pour opérer un changeur CD facultatif. Veuillez consulter avec votre spécialiste stéréo radio Phase Linear/Audiovox ou appeler 1-800-323-4815 pour des recommandations sur les modèles qui sont compatibles avec cette radio.

Ajustements des fonctions audio (volume, tonalité, équilibreur et égaliseur) et des fonctions CD (Faire pause/Jouer, SCN, SHF, RPT et sélection TRACK) pour le changeur CD opèrent de la même manière que pour la radio. Voir les sections Opération et Opération de la platine CD pour avoir des informations sur ces sujets.

Les contrôles suivants vont opérer le changeur CD lorsqu'il est installé et branché à cette radio. Référez-vous au guide du propriétaire fourni avec le changeur CD pour des instructions sur l'installation et le chargement correct et l'utilisation du chargeur CD.

⑦ Sélection de mode changeur CD (MODE)

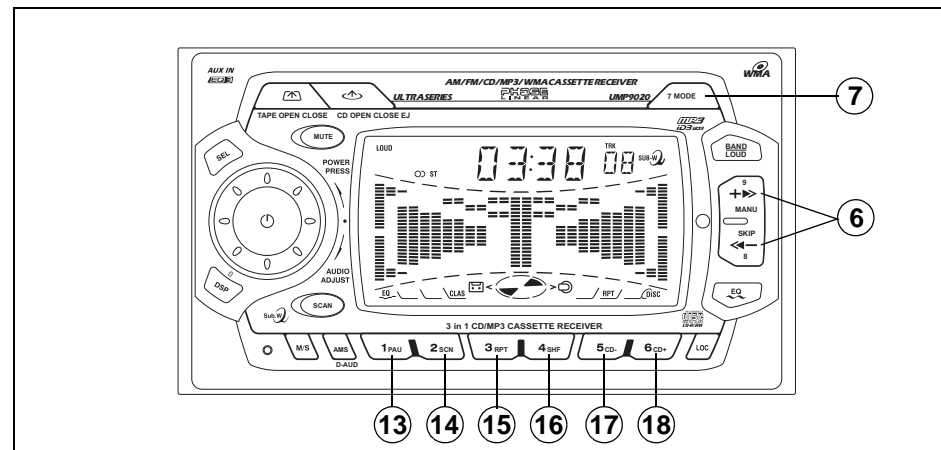
Appuyez sur le bouton **MODE** (7) pour sélectionner l'opération du changeur CD, comme montré par « CDC » sur le panneau d'affichage. La reproduction du disque va commencer et le numéro du disque et de la piste seront affichés sur le panneau d'affichage.

Si un nouveau chargeur a été chargé dans le changeur, la reproduction reprendra à partir de la première piste du premier disque dans le chargeur. Si le chargeur était déjà dans le changeur, la reproduction, reprendra à partir de la piste du disque qui était précédemment joué.

⑰, ⑱ Sélection du disque (CD-/CD+)

Ces boutons **CD-/CD+** (17 et 18) sont utilisés pour sélectionner le disque désiré. Pour avancer jusqu'à un disque de numéro supérieur

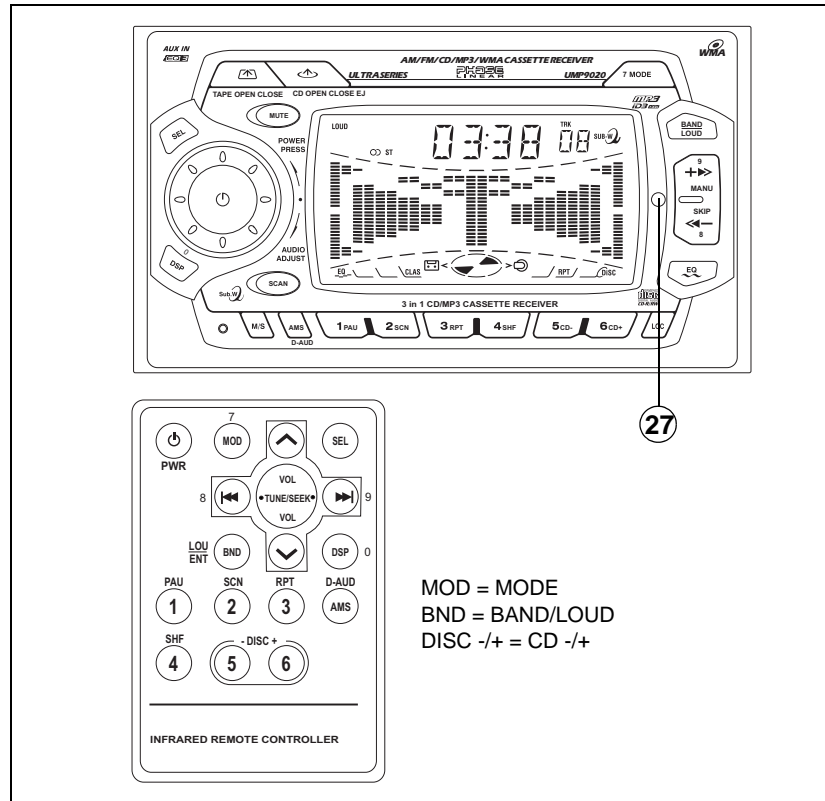
appuyez sur le bouton **CD+** (18). Pour revenir à un disque de numéro inférieur, appuyez sur le bouton **CD-** (17). Le numéro du disque en jeu sera affiché dans le panneau d'affichage.



OPÉRATION DE CONTRÔLE SANS FIL À DISTANCE

La télécommande vous permet de contrôler les fonctions de base du UMP9020.

La sonde infrarouge (27) détecte le signalement de commande infrarouge depuis l'unité de télécommande.



SOIN ET ENTRETIEN

Votre nouvelle platine CD/radio n'a pas besoin d'être entretenu. Cependant, une compréhension correcte de son utilisation et manipulation vous aidera à obtenir une jouissance maximum de ses capacités. Nous recommandons que vous gardez ce guide comme référence pour les fonctions multiples de cet appareil, aussi bien que pour régler l'horloge. Gardez les points suivants à l'esprit :

- Lorsque vous nettoyez le véhicule, ne versez pas d'eau ou de détergents liquides sur l'appareil.
- La platine CD est un instrument de précision et ne fonctionnera pas dans des froids ou des chaleurs extrêmes. Si de telles conditions prévalent, attendez que la température à l'intérieur du véhicule redevienne normale avant de jouer.
- Si la température à l'intérieur de la platine devient trop chaud, un circuit de protection va automatiquement arrêter le jeu. Dans ce cas, permettez à l'appareil de se refroidir avant de l'utiliser.
- N'insérez jamais rien d'autre qu'un disque compact de 5" (12cm) dans la platine comme ce mécanisme peut souffrir des dégâts à cause des objets étrangers.
- N'essayez jamais d'utiliser des disques compacts de 3" (8cm) dans cet appareil, avec ou sans adaptateur, comme cela peut nuire à la platine ou au disque. De tels dégâts ne seront pas couverts par le garanti sur ce produit.

- Enlevez toujours le disque compact, si vous n'utilisez pas la platine. Ne laissez jamais un disque compact dans la fente à disque comme cela peut l'exposer aux rayons du soleil et autres facteurs qui peuvent nuire.
- N'essayez pas d'ouvrir le châssis de l'appareil. Il n'y a pas de pièces qui sont susceptibles à être dépanné par l'utilisateur ou des points d'ajustement à l'intérieur.
- Lorsque le véhicule se réchauffe pendant la saison froide ou dans des conditions humides, de la condensation peut apparaître sur les lentilles de la platine. Si cela arrive, la platine ne fonctionnera pas jusqu'à ce que l'humidité ait évaporé.
- L'appareil est conçu avec un mécanisme d'amenuisement de vibrations pour minimiser l'interruption du jeu du disque à cause de la vibration normale d'un véhicule en mouvement. Lorsque vous conduisez sur les surfaces rugueuse, des sauts de son peuvent arriver. Cela ne nuira pas au disque et le jeu normal reprendra lorsque les conditions rugueuses disparaissent.

Manipulation des disques compacts

De la poussière, des saletés, des égratignures et des torsions, peuvent produire des sauts dans la reproduction et une détérioration dans la qualité du son. Suivez ces conseils pour entretenir vos disques compacts :

- Essuyez des empreintes digitales, de la poussière et des saletés déposées sur la surface du disque avec un torchon doux. Essuyez dans un mouvement droit à partir du centre du disque jusqu'au bord.
- N'utilisez jamais des produits chimiques tels que des vaporisateurs pour disque ou des détergents domestiques pour nettoyer vos disques compacts. Ces produits peuvent irrémédiablement nuire à vos disques.
- Gardez les disques dans leur boîte de stockage lorsque vous ne les écoutez pas.
- N'exposez pas les disques aux rayons de soleil directs, à des températures très chaudes ou à l'humidité pendant de longues périodes.
- Ne collez pas de papier, de la bande adhésive ou des étiquettes sur la surface du disque.

BOUTON RESET

Un bouton Reset (28) est situé derrière la dalle à côté gauche (le panneau d'avant doit être dans la position horizontale pour accéder à ce bouton). La fonction Reset est fourni pour protéger la circuiterie du microprocesseur et doit être activé dans des circonstances suivantes parce qu'elle effacera l'heure et les mémoires pré-réglées. Après installation de départ et lorsque tout le câblage a été terminé, s'il y a un mauvais fonctionnement de l'un des interrupteurs sur l'appareil, vous pouvez appuyer sur le bouton Reset pour nettoyer le système et revenir à l'opération normale.

SPECIFICATIONS

Capacité CD-R et CD-RW

Dépendant du type de média et des méthodes d'enregistrement quelques CD-R/RW peuvent être incompatible avec cet appareil. **La séance doit être close après l'enregistrement.** Référez-vous aux procédures recommandées de votre logiciel pour clore un disque/séance. Revoyez votre logiciel d'enregistrement afin de vous familiariser avec les procédures d'enregistrement correctes. Nous recommandons les dernières versions de logiciel d'enregistrement ROXIO™ et NERO™.

Cet appareil ne reconnaîtra que les formats CDDA (Compact Disc Digital Audio) et .MP3 enregistré ou inscrit de mémoire morte sur un CD-R/RW. Cet appareil ne soutient pas de formats .WMA, .WAV, .OGG ou autres.

Spécifications techniques



Indices de puissance CEA

Sortie puissance : 13 watts RMS x 4 chaînes multiplié par 4 ohms @ < 1% THD + N
Rapport signalment au bruit : 70dBA sous référence (Référence : 1 watt, 4ohms)
Réponse fréquence : 20Hz à 20kHz, -3dB
Référence d'alimentation voltage : 14.4 VDC

Platine CD

Rapport signalment au bruit : >75dBA
Réponse fréquence : 20Hz à 18kHz, -3dB
Séparation des chaînes : >55dB @ 1kHz
Convertisseur D/A : 1bit/Ch

Tuner FM

Gamme de syntonisation : 87.5 MHz à 107.9 MHz
Sensibilité mono : 18dBf
Sensibilité d'assourdissement stéréo 50dB : 20dBf

Séparation stéréo @ 1kHz : >30dB
Réponse fréquence : 30Hz à 12kHz, -3dB

Tuner AM

Gamme de syntonisation : 530 kHz à 1710kHz
Sensibilité @ 20dB signalment au bruit: 30 uV
Réponse fréquence : 30Hz à 2kHz, -3dB

Général

Alimentation : 11 à 16 VDC, terre négative
Fusibles : Pile -15amp/ATO, Allumage/
Accessoire -0.5amp/AGC
20 pin harnais à connexion rapide
Dimensions 2 Din: 4"H x 7"W x 7"D (102mm x 178mm x 178mm)

Les spécifications peuvent changer sans avis préalable.

GARANTIE LIMITÉE DE 3 MOIS

AUDIOVOX CORPORATION (la Société) garantit à l'acheteur initial du produit que si tout ou partie de ce produit, en cours d'utilisation et sous des conditions normales, venait à présenter des vices de matière primitive ou des défauts de fabrication, dans les 3 mois suivant la date d'achat initial, ce(s) défaut(s) sera(seront) réparé(s) ou remplacé(s) par un produit neuf ou reconditionné (au choix de la Société), sans frais de pièces ni de main-d'oeuvre. Si ce produit doit être réparé ou remplacé durant la période de la Garantie, il doit être expédié, accompagné d'un document prouvant qu'il est couvert par la garantie (ex. contrat de vente daté) en précisant la (les) déféctuosité(s), transport prépayé, au centre de garantie dont l'adresse apparaît ci-dessous.

Cette Garantie ne couvre pas l'élimination des parasites ou des bruits générés par le moteur, la correction des problèmes d'antenne, les frais encourus pour l'installation, le retrait ou la réinstallation du produit, ni les dommages causés aux cassettes, disques compacts, accessoires ou au système électrique du véhicule. Cette Garantie ne s'applique pas aux produits ou aux parties constituantes qui, de l'avis de la Compagnie, ont été endommagés par suite de modification, d'installation incorrecte, de mauvaise manipulation, d'utilisation abusive, de négligence, d'accident,

ou encore du retrait ou du griffonnage des inscriptions ou de l'étiquette code à barres/ numéro de série installé en usine. SELON LES TERMES DE CETTE GARANTIE, LA RESPONSABILITE DE LA SOCIETE EST LIMITEE A LA REPARATION OU AU REMPLACEMENT, TEL(LE) QU'IL(ELLE) EST STIPULE(E) CI-DESSUS ET, EN AUCUN CAS, LA RESPONSABILITE DE LA SOCIETE NE POURRA EXCEDER LE PRIX D'ACHAT PAYE PAR L'ACHETEUR DU PRODUIT.

Cette Garantie remplace toute autre garantie expresse ou responsabilité. TOUTE GARANTIE TACITE, COMPRENANT TOUTE GARANTIE DE QUALITE LOYALE ET MARCHANDE, EST LIMITEE A LA DUREE DE CETTE GARANTIE ECRITE. TOUTE ACTION POUR RUPTURE DE TOUTE GARANTIE, SELON LES TERMES DE LA PRESENTE, COMPRENANT TOUTE GARANTIE IMPLICITE DE QUALITE LOYALE ET MARCHANDE, DOIT ETRE INTENTEE DANS LES 30 MOIS A COMPTER DE LA DATE D'ACHAT INITIAL. EN AUCUN CAS LA SOCIETE NE SERA RESPONSABLE DE TOUT DOMMAGE INDIRECT OU FORTUIT POUR RUPTURE DE CETTE GARANTIE OU DE TOUTE AUTRE GARANTIE, EXPRESSE OU IMPLICITE, DE QUELLE QUE NATURE QUE CE SOIT. Aucune personne ni aucun

représentant n'est autorisé(e) à assumer, au nom de la Société, d'autre responsabilité que celle exprimée dans la présente, et se rapportant à la vente de ce produit.

Certains Etats n'autorise pas les restrictions relatives à la durée d'application des garanties implicites ni l'exclusion ou la limitation des dommages indirects ou fortuits. Dans ces Etats, de telles limitations ou exclusions ne s'appliquent donc pas. Cette Garantie vous donne des droits juridiques spécifiques et vous pouvez également jouir d'autres droits, suivant l'Etat dans lequel vous vivez.

U.S.A : Audiovox Corporation, 150 Marcus Blvd., Hauppauge, NY 11788, 1-800-323-4815

CANADA: Composez le 1-800-323-4815 connaître l'adresse du poste de garantie de votre région.

Audiovox Electronics Corporation
150 Marcus Boulevard
Hauppauge, NY 11788
1-800-323-4815
www.audiovox.com

©2005 Audiovox
v.041005
Imprimé en Chine

Free Manuals Download Website

<http://myh66.com>

<http://usermanuals.us>

<http://www.somanuals.com>

<http://www.4manuals.cc>

<http://www.manual-lib.com>

<http://www.404manual.com>

<http://www.luxmanual.com>

<http://aubethermostatmanual.com>

Golf course search by state

<http://golfingnear.com>

Email search by domain

<http://emailbydomain.com>

Auto manuals search

<http://auto.somanuals.com>

TV manuals search

<http://tv.somanuals.com>