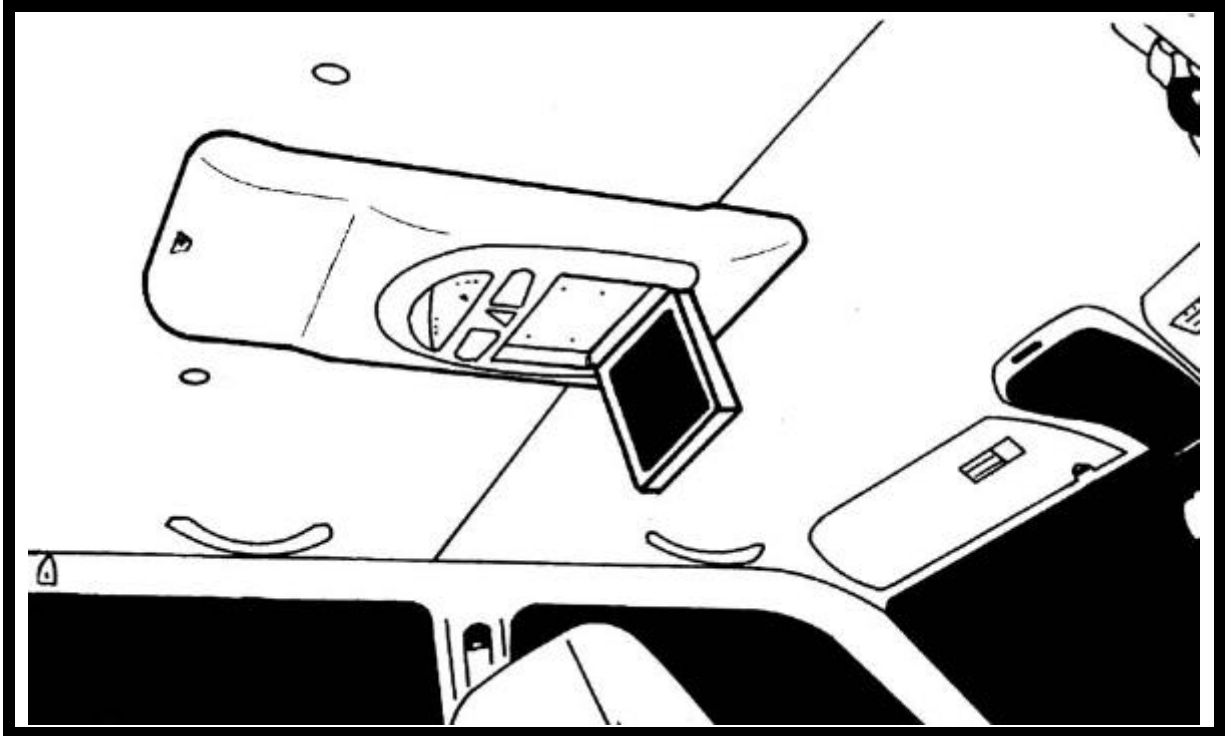


INSTALLATION INSTRUCTIONS  
FOR  
50-0245x-002 SERIES 1181285  
50-0245x-014 SERIES 1181286  
FORD EXPLORER  
OVERHEAD CONSOLE for use with FLIPDOWN VIDEO SYSTEM



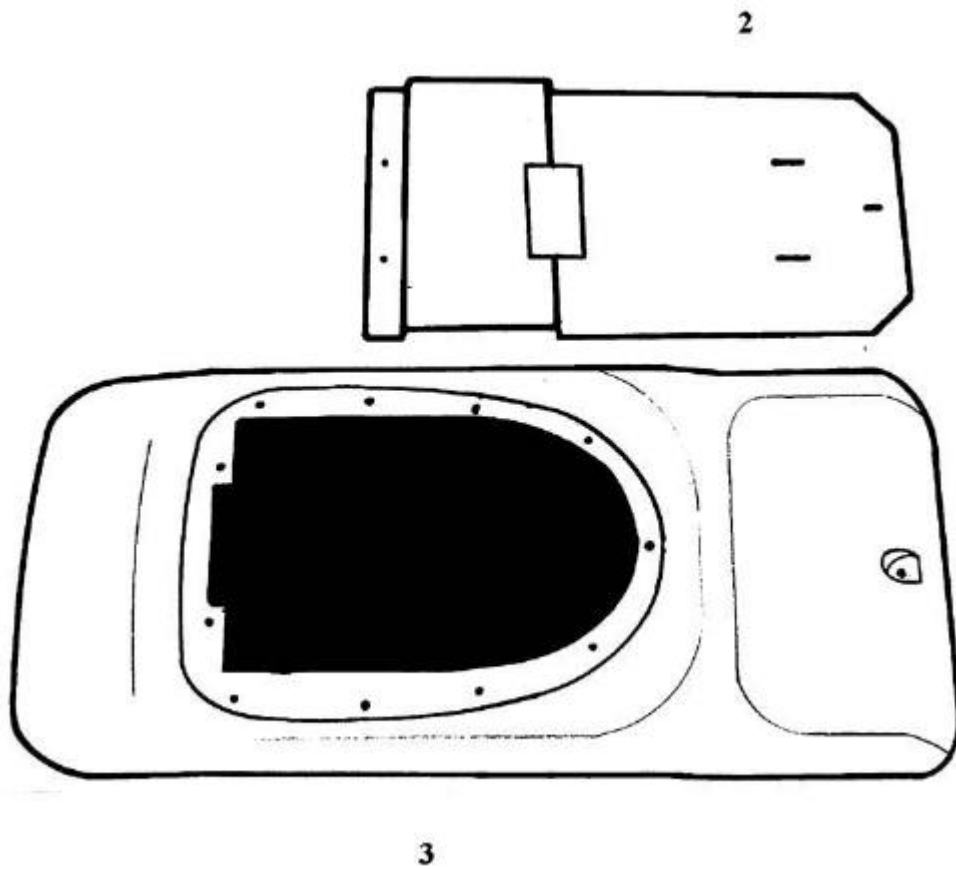
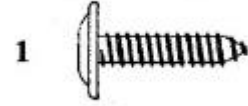
These instructions are intended for use only by experienced professionals in the automotive customizing business. Special tools and equipment, as well as specialized handling and care of product during installation, may be required. Before beginning this installation, carefully read through the following instructions. **Use extreme care when cutting headliner material.** Check for wiring or other componentry above headliner material. Cut only where indicated.

Materials/ Tools required for this installation:

1. #2 Phillips screwdriver
2. Powered screwdriver or drill with adapter
3. 3/32" drill bit
4. Razor knife or similar
5. Awl or similar tool
6. 18 GA wire 4' - 6'
7. Audiovox Series 640/650 Video Module

MATERIALS PROVIDED FOR INSTALLATION:

ITEM	Description	QTY
1	SCREW, # 8 X 3/4" PWH	3
2	MOUNTING BRACKET	1
3	CONSOLE	1



## I. PREPARATION OF VEHICLE INTERIOR

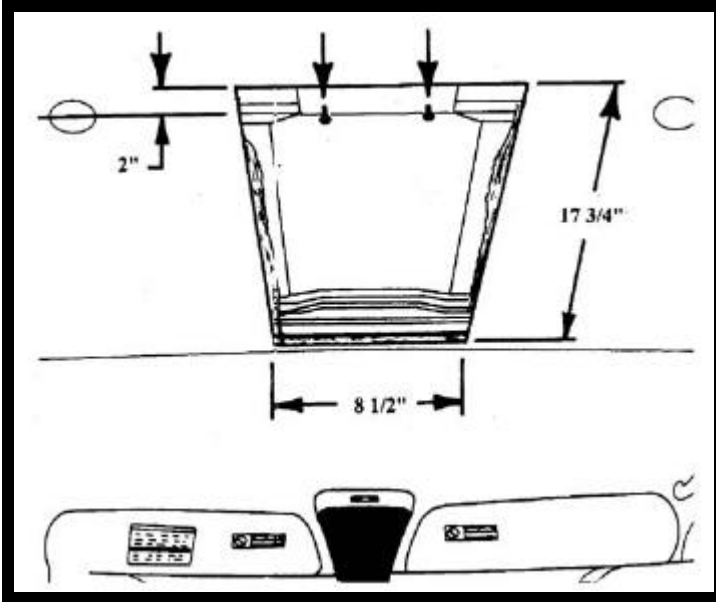


FIGURE 1

1. Carefully trim headliner as shown.  
**Caution: Before cutting headliner material, check for wiring or other componentry above headliner. Cut only where indicated.** Make sure that the 8 1/2" cut is centered left to right in vehicle. See Figure 1.
2. Remove and retain (2) two O.E. screws which secures O.E. bracket to roof brace. See Fig. 1.

3. Install console mounting bracket (item 2 pg 2) over O.E. bracket on roof brace. Secure rear of bracket using (2) two O.E. screws. Secure front of bracket using (2) two #8 x 3/4" screws (item 1 pg 2) See Figure 2.

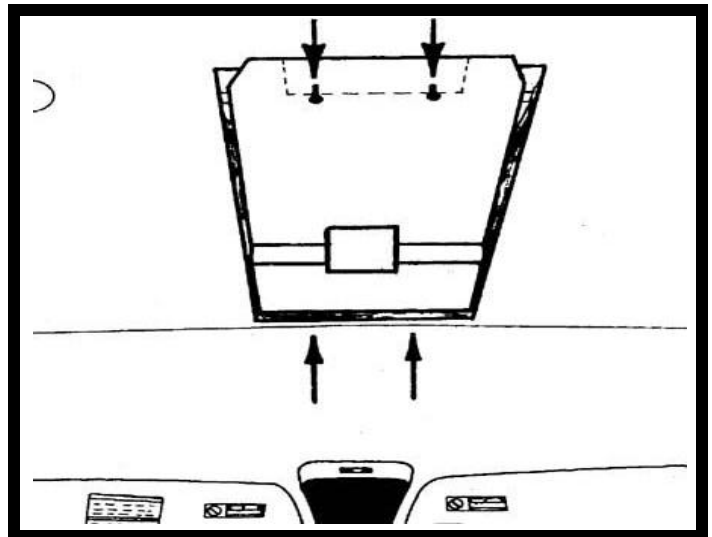
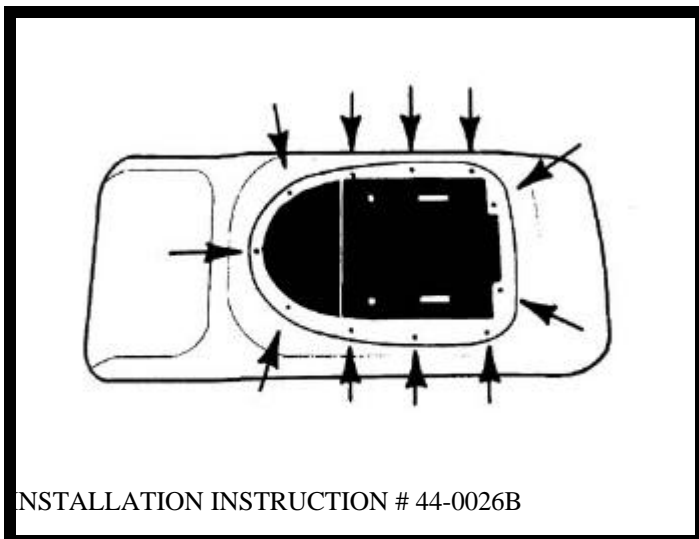


FIGURE 2

## II. PREPARATION OF CONSOLE FOR INSTALLATION

4. Install the video system in console (item 3 pg 2) and secure using hardware supplied with video system. Start all screws before tightening. Begin with the rear center screw, then alternately tighten screws around the perimeter of pod. See Figure 3. Refer to owner's manual supplied with video system. **Caution: Do not overtighten screws.**



INSTALLATION INSTRUCTION # 44-0026B

July 7, 1999  
Printed in the U.S.A.

### III. INSTALLATION OF CONSOLE

5. Install and route all video and audio cables, and any other added component requirements to their respective places in the vehicle. Refer to component installation instructions for wiring diagrams. The suggested routing of the video system cable is as follows: Above the headliner from video system to B-pillar. Rearward to the C-pillar. Down the C-pillar to the floor. Route the power lead to an accessory controlled source. Connect the ground lead to the vehicle chassis. Route the remaining wiring (RCA plugs, Remote Sensor extension, etc.) to the VCP location. See Figure 4. Connect per instructions included with the video system. If video system is to be used as a television, install an appropriate antenna per instructions included with the antenna.

6. Construct a jumper harness that will connect the vehicle's dome light wires to the lights in video system. Connect the white wire from video system to the O.E. black/ blue wire. Connect black wire from video system to the chassis ground.

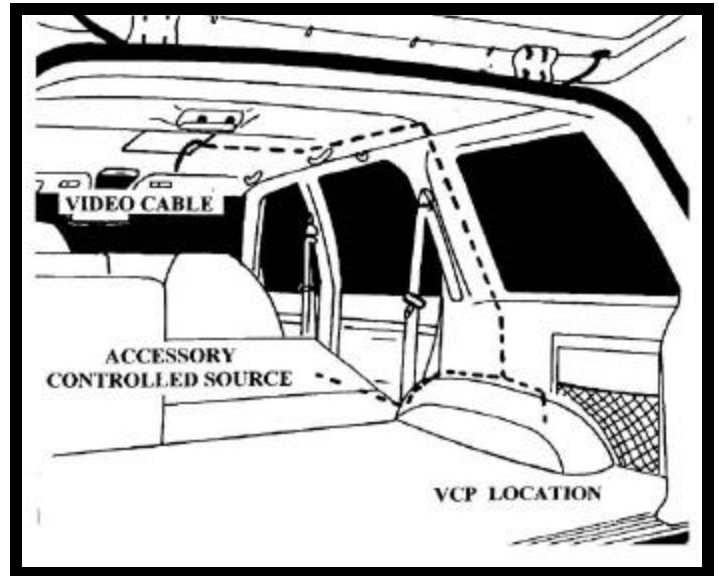
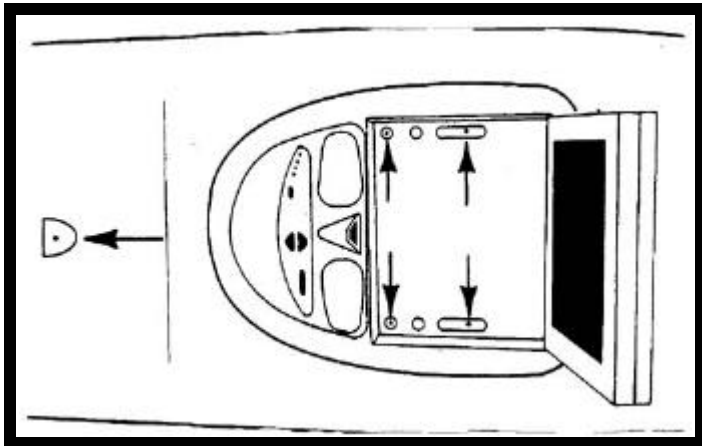


FIGURE 4

7. Place the overhead console in vehicle and loosely fit it against headliner. Check that console is centered in vehicle and matches all contours of headliner. Using an awl or similar tool, align the rear mounting hole with hole in bracket. Apply upward pressure to console and secure using (1) one #8 x 3/4" screw. See Fig. 5. Release video screen from locked position and mark the locations of the mounting bosses in the video system on the mounting bracket using an awl or similar tool. Remove console from vehicle.



8. Using a 3/32" drill bit, drill (4) four holes in mounting bracket at locations previously marked.

9. Raise console into approximate position and connect all wiring to components. Route video cable through hole in bracket and connect wiring and cabling to video system per instructions included with video system.
10. Check function of all components and lights. See operating instructions for video system operations check. For further assistance, refer to the video system manual for the technical support phone number listed for your area.
11. Carefully position console against headliner. Release video screen from locked position. Lower video screen to viewing position for access to mounting locations in top of video system housing and align holes in housing with holes in mounting bracket. Secure using hardware supplied with video system. See Figure 5. **Caution: Do not overtighten screws.** Make sure that wires do not get pinched between bosses on video system and mounting bracket. Close video screen.
12. Secure rear of console using (1) one #8 x 3/4" screw (item 1 pg 2). See Figure 5.

FIGURE 3

## Free Manuals Download Website

<http://myh66.com>

<http://usermanuals.us>

<http://www.somanuals.com>

<http://www.4manuals.cc>

<http://www.manual-lib.com>

<http://www.404manual.com>

<http://www.luxmanual.com>

<http://aubethermostatmanual.com>

Golf course search by state

<http://golfingnear.com>

Email search by domain

<http://emailbydomain.com>

Auto manuals search

<http://auto.somanuals.com>

TV manuals search

<http://tv.somanuals.com>