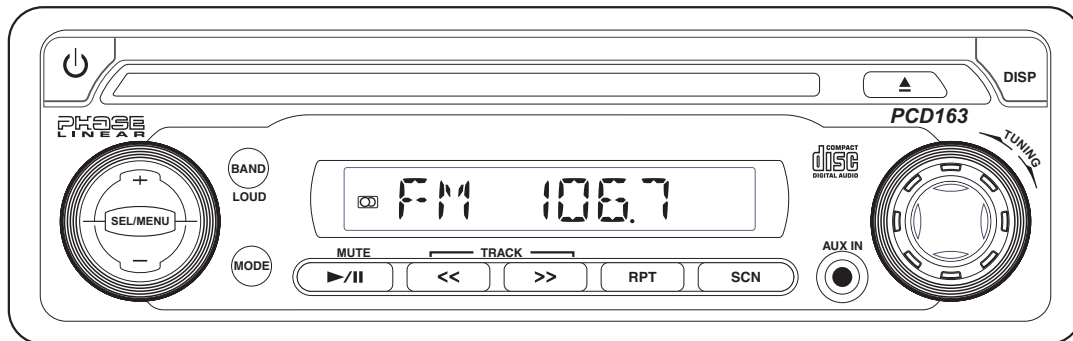


PHASE LINEAR

PCD163

Owner's Manual/Manual del Usuario/Manual de L'Utilisateur



AM/FM/CD Receiver

Receptor AM/FM/CD

AM/FM/CD Ampli-Syntoniseur

Para obtener instrucciones en Español, dirijase a la página 16.

Pour des instructions en Français, référez-vous à la page 30.

PREPARATION

Getting Started

It's a good idea to read all of the instructions before beginning the installation.

Contents

Installation Instructions.....	3
Wiring	5
Operating Instructions	6
CD Player Operating Instructions.....	10
Care and Maintenance.....	12
Specifications	13

Installation Requirements

This unit is designed for installation in cars, trucks, and vans with an existing radio opening. In many cases, a special installation kit will be required to mount the radio to the dashboard. These kits are available at electronics supply stores and car stereo specialty shops. Always check the kit application before purchasing to make sure the kit works with your vehicle. If you need a kit but cannot locate one, call our customer support line at 1-800-323-4815. (U.S.A. and Canada only.)

Tools and Supplies

The following tools and supplies are needed to install the radio.

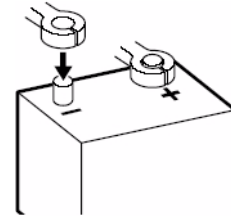
- Torx type, flathead and Philips screwdrivers
- Wire cutters and strippers
- Tools to remove existing radio (screwdriver, socket wrench set or other tools)
- Electrical tape
- Crimping tool
- Volt meter/test light
- Crimp connections
- 18 gauge wire for power connections
- 16-18 gauge speaker wire

Speaker Requirements

Only connect speakers rated with a load impedance of 4 ohms. Speakers with a load impedance of less than 4 ohms could damage the unit.

Disconnect Battery

Before you begin, disconnect the battery negative terminal.



Toll-Free Installation Assistance

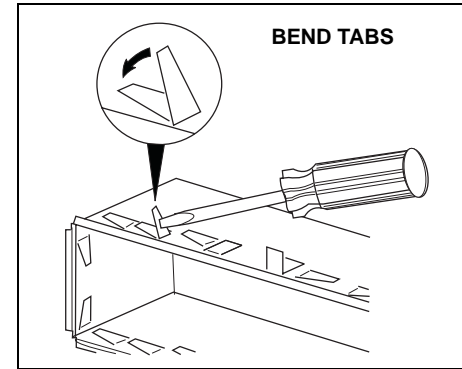
If you require assistance, contact Technical Support at 1-800-323-4815 from 8:30 a.m. to 7:00 p.m. EST Monday through Friday and from 9:00 a.m. to 5:00 p.m. EST on Saturday. (U.S.A. and Canada only.)

INSTALLATION INSTRUCTIONS

Installation Using the Mounting Sleeve

- Slide the mounting sleeve off the chassis. If it is locked into position, use the removal tools (supplied) to disengage it.
- Check the dashboard opening size by sliding the mounting sleeve into it. If the opening is too small, carefully cut or file as necessary until the sleeve easily slides into the opening. Do not force the sleeve into the opening or cause it to bend or bow. Check for sufficient space behind the dashboard for the radio chassis.
- Locate the series of bend tabs along the top, bottom, and sides of the mounting sleeve. With the sleeve fully inserted into the dashboard opening, bend as many of the tabs outward as necessary to firmly secure the sleeve to the dashboard.
- Place the radio in front of the dashboard opening so the wiring can be brought through the mounting sleeve. Follow the wiring diagram carefully and make certain all connections are secure and insulated with wire nuts or electrical tape. After completing the wiring connections, turn the unit on to confirm operation (vehicle ignition must be "on"). If the unit does not operate, re-check all wiring until the problem is corrected.

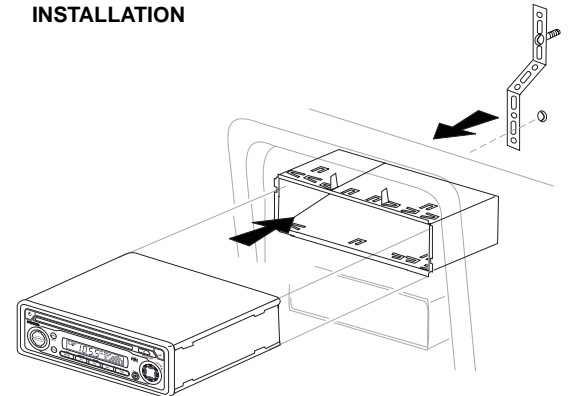
- Make sure the radio is right-side up, then carefully slide the radio into the mounting sleeve until it is fully seated and the spring clips lock it into place.
- Attach one end of the perforated support strap (supplied) to the screw stud on the rear of the chassis using the hex nut provided. Fasten the other end of the perforated strap to a secure part of the dashboard either above or below the radio to position it as necessary. Bend the strap to position it as necessary.
- Test the radio using the Operating Instructions that follow.



CAUTION: The support strap must be used to prevent damage to the dashboard from the weight of the radio or improper operation due to vibration.

CAUTION: For proper operation of the CD player, the chassis must be mounted within 20° of horizontal. Make sure the unit is mounted within this limitation.

INSTALLATION



INSTALLATION INSTRUCTIONS

Installation Using a Kit

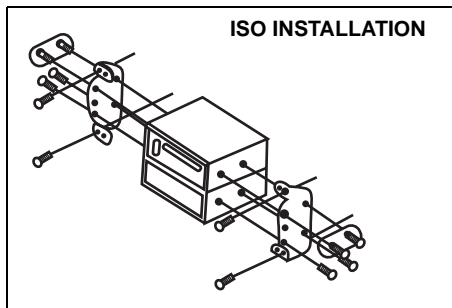
If your vehicle requires the use of an installation kit to mount this radio, follow the instructions included with the installation kit to attach the radio to the mounting plate supplied with the kit.

1. Wire and test the radio as described in step 4 of "Installation Using the Mounting Sleeve" on page 3.
2. Install the radio mounting plate assembly to the sub-dashboard according to the instructions of the installation kit.
3. Attach the support strap to the radio and dashboard as described in step 6 of "Installation Using the Mounting Sleeve" on page 3.
4. Replace the dashboard trim panel.

ISO Installation

This unit has threaded holes in the chassis side panels which may be used with the original factory mounting brackets of some Toyota, Nissan, Mitsubishi, Isuzu, Hyundai and Honda vehicles to mount the radio to the dashboard. Please consult with your local car stereo specialty shop for assistance on this type of installation.

1. Remove the existing factory radio from the dashboard or center console mounting. Save all hardware and brackets as they will be used to mount the new radio.



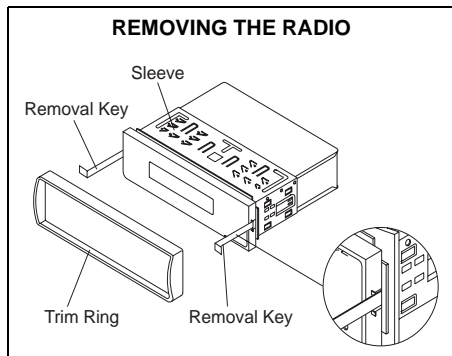
2. Carefully un-snap the plastic frame from the front of the new radio chassis. Remove and discard the frame.
3. Remove the factory mounting brackets and hardware from the existing radio and attach them to the new radio.

CAUTION: Do not exceed M5 X 6 MM screw size. Longer screws may touch and damage components inside the chassis.

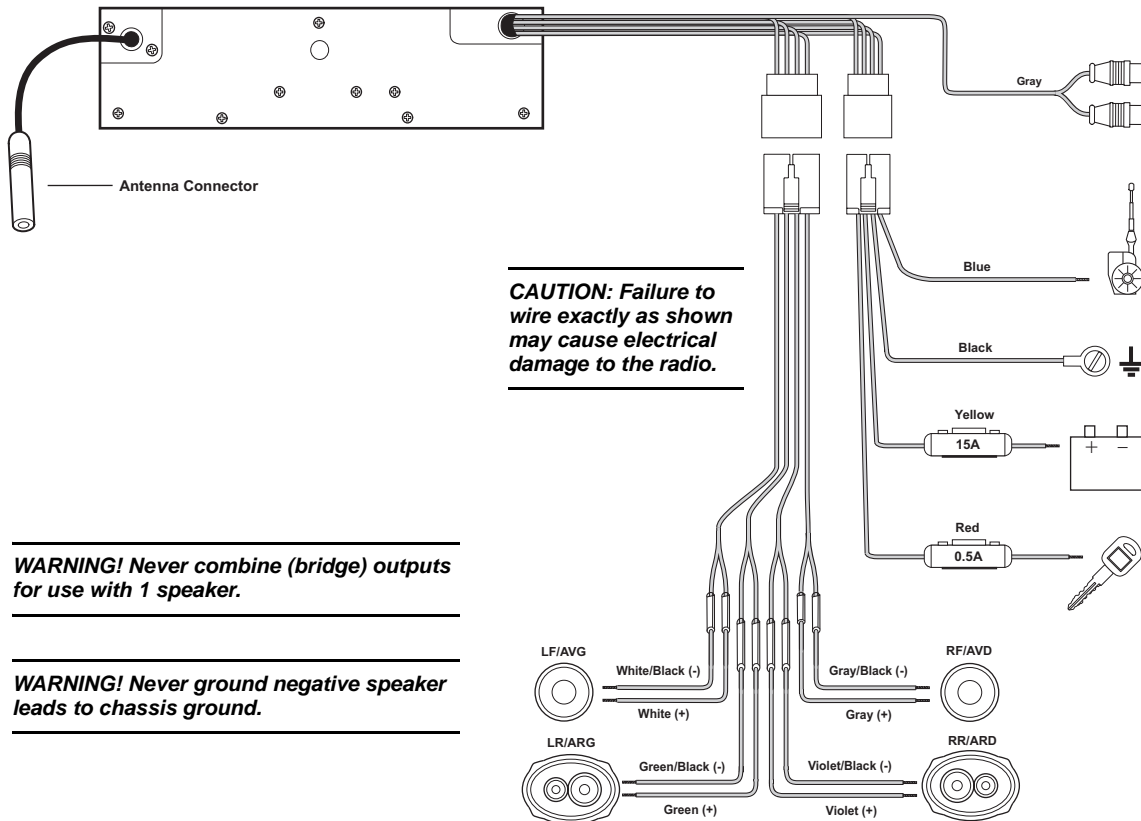
4. Wire the new radio to the vehicle as described in step 4 of "Installation Using the Mounting Sleeve" on page 3.
5. Mount the new radio assembly to the dashboard or center console using the reverse procedure in step 1 of "Installation Using the Mounting Sleeve" on page 3.

Removing the Radio

To remove the radio after installation, remove the trim ring by lifting in the center and pulling it off from either side. Insert the removal keys straight back until they lock, and pull the radio out. If removal keys are inserted at an angle, they will not lock properly to release the unit.



WIRING



WARNING! Never combine (bridge) outputs for use with 1 speaker.

WARNING! Never ground negative speaker leads to chassis ground.

Amplifier Wiring

Connect rear line out for optional external amplifiers. The red connector is for the right and the white connector is for the left.

Power Antenna

Connect to power antenna or amplifier. If not used, tape bare end of wire.

Ground

Connect to ground terminal.

Memory/Battery

Connect to battery or 12 volt power source that is always live. The radio will not work if this wire is not connected.

Accessory/Ignition

Connect to existing radio wire or radio fuse.

Fuses

When replacing a fuse, make sure the new fuse is the correct type (AGC) and amperage. Using an incorrect fuse could damage the radio.

OPERATING INSTRUCTIONS

① Power On/Off Button

Press the power button (1) to turn the unit on and off when the vehicle ignition switch is on. If the radio is off when the ignition switch is turned off, the power button must be pressed to turn on the radio after the ignition switch is turned on. If the ignition switch is turned off while the radio is on, the radio will come on automatically when the ignition switch is again turned on.

② Liquid Crystal Display Panel

The Liquid Crystal Display (LCD) panel displays the frequency, time, and all activated functions.

NOTE: It is a characteristic of LCD panels that, if subjected to cold temperatures for an extended period of time, they may take longer to illuminate than under normal conditions. In addition, the visibility of the characters on the LCD may slightly decrease. The LCD read-out will return to normal when the temperature inside the vehicle increases to a normal range.

③ Volume Control

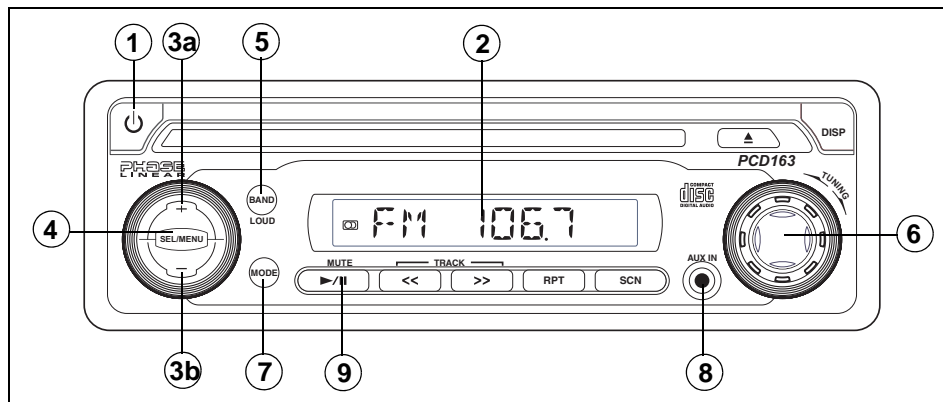
To increase the volume level, press the volume + button (3a). The volume will increase and the level will be shown on the display panel from a

minimum of "VOL 00" to a maximum of "VOL 46". To decrease the volume, press the volume – button (3b). The display will automatically return to the normal indication 5 seconds after the last volume adjustment or when another function is activated. These buttons are also used in conjunction with the **SEL/MENU** button (4) to adjust the bass, treble, balance and fader levels.

④ Select (SEL/MENU) Button

This **SEL/MENU** button (4) is used to select the audio function (volume, bass, treble, balance or fader) to be adjusted using the volume buttons

(3). Press the **SEL/MENU** button once to set the unit for volume adjustment ("VOL" and the setting number will appear on the display panel). Press the button additional times to select bass ("BAS" on display panel), treble (TRE), balance (BAL), fader (FAD), and volume (VOL) again. The display returns to the normal indication 5 seconds after the last adjustment was made or when another function is activated.



OPERATING INSTRUCTIONS

④ Bass Control

To adjust the bass level, press the **SEL/MENU** button (4) until "BAS" appears on the display panel. Within five seconds, press the volume **+/-** buttons (3a and 3b) to adjust the bass from "BAS -5" to "BAS +5". "BAS 00" represents a flat response.

④ Treble Control

To adjust the treble level, press the **SEL/MENU** button (4) until "TRE" appears on the display panel. Within five seconds, press the volume **+/-** buttons (3a and 3b) to adjust the treble from a minimum of "TRE -5" to a maximum of "TRE +5". "TRE 00" represents a flat response.

④ Left/Right Balance Control

To adjust the left-right speaker balance, press the **SEL/MENU** button (4) until the "BAL" indication appears on the display panel. Within five seconds, press the volume **+/-** buttons (3a and 3b) adjust the balance between the left and right speakers from "BAL 12L" (full left) to "BAL 12R" (full right). "BAL L=R" represents an equal balance level between the left and right speakers.

④ Front/Rear Fader Control

To adjust the front/rear speaker balance, press the **SEL/MENU** button (4) until "FAD" appears on the display panel. Within five seconds, press the volume **+/-** buttons (3a and 3b) to adjust the balance between the front and rear speakers from "FAD 12F" (full front) to "FAD 12R" (full rear). "FAD F=R" represents an equal balance level between the front and rear speakers.

④ System Menu

Press and hold the **SEL/MENU** button (4) to view the system menu. Continue pressing the **SEL/MENU** button to access the menu options in the following order: BEEP ON/OFF, P--VOL (turn-on volume), CLK ON/OFF, Display Priority, 12/24 HOUR clock setting. Use the volume **+/-** buttons (3a and 3b) to adjust menu option settings.

- Audible BEEP (ON/OFF): Select ON to hear an audible beep each time a function is activated.
- P--VOL (00-46): Select the desired default turn-on volume.
- CLK (ON/OFF): Select ON to have the clock appear on the LCD when the radio is turned off. Choose OFF to have the LCD remain dark when the radio is turned off.

- Display Priority (FREQ PRI, CLK PRI, NO PRI): Select FREQ PRI to revert to the frequency display after a few seconds of inactivity. Select CLK PRI to automatically revert to the clock display after a few seconds of inactivity. Select NO PRI if you do not want the display to automatically change. Use the **DISP** button to change your display preference.
- (12/24) HOUR: Select 12 or 24 hour display mode for the clock.

⑤ Loudness Control (BAND/LOUD)

When listening to music at low volumes, this feature will boost the bass and treble ranges to compensate for the characteristics of human hearing. *Press and hold* the **BAND/LOUD** button (5) to activate this feature as indicated by "LOUD ON" on the display panel. *Press and hold* the **BAND/LOUD** button again to deactivate the function and "LOUD OFF" will appear on the display.

⑤ AM/FM Band Selector

During radio play, press the **BAND** button (5) to change the radio band. The indications "AM" or "FM" appear on the display panel according to your selection.

OPERATING INSTRUCTIONS

6 Manual Tuning Control

Turn the manual **TUNING** control (6) clockwise to tune upward in frequency on the band in use or counter-clockwise to tune downward in frequency. The frequency to which you are tuned will be shown in digital format on the display panel. When tuning in a station, always adjust the control so that the correct broadcast frequency is shown on the display and you are receiving a clear signal. If the radio is tuned off-frequency, you could experience distorted audio, noise and other reception problems.

7 Source Button (MODE)

The **MODE** button (7) enables selection of radio, disc or auxiliary device playback. When a CD is playing, press the **MODE** button to revert to radio operation.

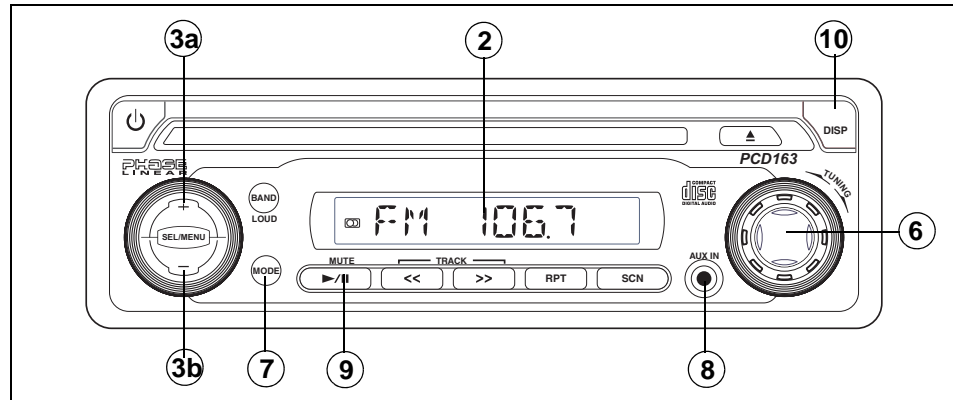
8 Auxiliary Input

To access an auxiliary device:

1. Connect the portable audio player to the **AUX IN** interface on the front panel (8).
2. Press the **MODE** button (7) to select Aux In mode.
3. Press **MODE** again to cancel Aux In mode and go to the next mode.

9 Audio Mute

Press the **MUTE** (▶/||) button (9) to mute the radio volume from the system. "MUTE" will appear on the display panel and the volume will be muted. (If you press this button while a CD is playing, CD play will be paused.) Press **MUTE** again, or press the volume **+/-** buttons (3a and 3b) or the **SEL/MENU** button (4) to return the volume level to the setting in use before the mute function was activated.



OPERATING INSTRUCTIONS

⑩ Display Selector (DISP)

This unit can display either the clock time or radio frequency/CD player functions.

Depending on your System Menu settings (see "System Menu" on page 7), the radio frequency, CD player track indication or clock may be displayed. Press the **DISP** button (10) to change between Frequency/CD information and clock display.

Setting the Clock

To set the clock, perform the following steps:

1. Turn the vehicle ignition and radio on.
2. *Press and hold* the **DISP** button (10) until the time display flashes.
3. Within 5 seconds, press the volume **+** button (3a) to adjust the hour.
4. Press the volume **-** button (3b) to adjust the minutes.

Five seconds after the last hour or minute adjustment has been made, the time will set and normal operation will resume.

CD PLAYER OPERATING INSTRUCTIONS

11 Disc Slot

With the label surface facing up, fully insert a compact disc into the slot (11) until the mechanism engages and pulls the disc in. The disc symbol () and "S -- CDP" will appear on the display. Play will begin from the first track on the disc and the track number and elapsed time of track play will appear on the display.

NOTE: The unit is designed for play of standard 5" (12 cm.) compact discs only. Do not attempt to use 3" (8 cm.) CD singles in this unit, either with or without an adaptor, as damage to the player and/or the disc may occur. Such damage will not be covered by the warranty on this product.

9 CD Play/Pause Selector

During disc play, press the ►/|| (play/pause) button (9) to pause the disc. When paused, "S - PAUSE" appears on the display, the disc symbol flashes, and play is suspended. When pressed again, playback resumes from the point at which disc play was stopped.

12 Forward Track Selector

During disc play, the forward TRACK >> button (12) is used to quickly select the beginning of a particular track in the forward direction. With each press of the button, the next higher track number will be selected as shown on the display panel.

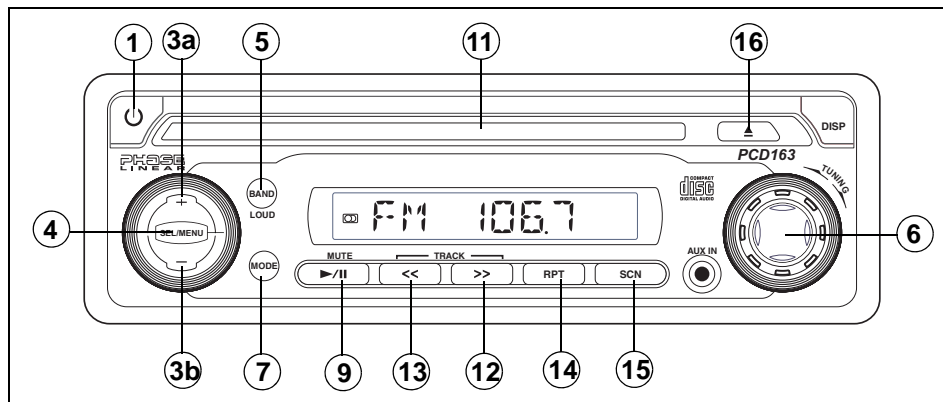
13 Backward Track Selector

During disc play, the backward TRACK << button (13) is used to quickly select the beginning of a particular track in the backward direction. With each press of the button, the

next lower track number will be selected as shown on the display panel.

12, 13 Cue/Review Functions

High-speed audible search to any section of the disc can be made by the Cue and Review functions. *Press and hold* the forward TRACK >> button (12) to advance rapidly in the forward direction or the backward TRACK << button (13) to advance rapidly in the backward direction.



CD PLAYER OPERATING INSTRUCTIONS


⑭ Repeat Play Selector (RPT)

During disc play, press the **RPT** button (14) to repeat the playback of a desired track ("S --RPT" appears on the display panel, followed by the current track number). Play of the selected track will continue to repeat until the Track Repeat function is cancelled by pressing the **RPT** button again or by activating the Scan function, causing the "S -- RPT" indication to disappear.

⑮ Track Scan Select (SCN)

During disc play, press the **SCN** button (15) to play the first 10 seconds of each track. ("S -- SCN" is displayed with the track number). When a desired track is reached, press the **SCN** button again to cancel the function and play the selected track. Track Scan mode can also be canceled by activating the Repeat Play (14) function.

⑯ Disc Eject Button

Press the eject  button (16) to stop disc play and eject the disc. The unit will revert to radio operation. Discs may be ejected with the vehicle ignition switch on or off. If an ejected disc is not removed from the disc slot within 10 seconds of being ejected, the disc will be re-inserted automatically, and the disc symbol will reappear on the display to show that a disc is still installed in the unit.

NOTE: To prevent a disc from accidentally being damaged, always remove the disc from the unit when disc play is finished.

CARE AND MAINTENANCE

Your new radio/CD player does not require any maintenance. However, proper understanding of its use and handling will help you obtain maximum enjoyment of its capabilities. We recommend that you keep this manual for reference on the many features of this unit as well as how to set the clock. The following points should be observed:

- When cleaning the interior of the vehicle, do not get water or cleaning fluids on the unit.
- The CD player is a precision instrument and will not operate properly in extreme heat or cold. If such conditions occur, wait until the interior of the vehicle reaches a normal temperature before using the player.
- If the temperature inside the player gets too hot, a protective circuit will automatically stop play of the disc. In this case, allow the unit to cool before operating the player again.
- Never insert anything other than a 5" (12 cm) compact disc into the player as the mechanism can be damaged by foreign objects.
- Do not attempt to use 3" (8 cm) CD-Single discs in this unit, either with or without an adaptor, as damage to the player and/or

disc may occur. Such damage will not be covered by the Warranty on this product.

- When not using the disc player, always remove the compact disc. Do not leave an ejected disc sitting in the disc slot as this can expose it to sunlight and other causes of damage.
- Do not attempt to open the unit chassis. There are no user-serviceable parts or adjustment points inside.
- When the vehicle warms up during cold weather or under damp conditions, condensation may appear on the lens of the disc player. Should this occur, the player will not operate properly until the moisture has evaporated.
- The unit is designed with a vibration dampening CD mechanism to minimize interruption of disc play due to normal vibration. When driving on rough roads, however, occasional sound skips may occur. This will not scratch or damage the disc and normal play will resume when the rough conditions cease.

Handling Compact Discs

Dirt, dust, scratches and warping can cause skips in the playback and deterioration of sound quality. Please follow these guidelines to take care of your compact discs:

- Carefully wipe fingerprints, dust and dirt from the disc's playing surface with a soft cloth. Wipe in a straight motion from the center to the outside of the disc.
- Never use chemicals such as record sprays or household cleaners to clean CDs, as they can irreparably damage the disc's surface.
- Discs should be kept in their storage cases when not in use.
- Do not expose discs to direct sunlight, high temperatures or high humidity for long periods.
- Do not stick paper, tape or labels on disc surfaces.

RESET BUTTON

A Reset button is located near the bottom right corner on the front of the chassis. The Reset function is provided to protect the microprocessor circuitry and should only be activated under the following circumstances as it will erase the time and pre-set memories: Upon initial installation after all wiring is completed; If there is a malfunction of any of the switches on the unit, pressing the Reset button may clear the system and return to normal operation.

SPECIFICATIONS

CD-R and CD-RW Capability

Depending on media type and method of "recording/burning", some CD-R/RWs may be incompatible with this unit. After "recording/burning" **the session must be closed**. Please refer to your software's recommended procedures for closing a disc/session. Review your recording software to familiarize yourself with the correct "recording/burning" procedures. We recommend using the latest versions of ROXIO™ or NERO™ burning software.

In addition, **this unit will only recognize the CDDA (Compact Disc Digital Audio) format** "recorded/burned" onto a CD-R/RW. This unit does not support .MP3, .WMA, .WAV, .OGG or other formats. The CDDA format is the standard format of an "original store-bought" CD. When recording/burning a CD-R/RW make sure the CDDA format is selected.

Technical Specifications



CEA Power Ratings

Power Output: 3 watts RMS X 4 channels into 4-ohms @ < 1% THD+N
 Signal to Noise Ratio: 70dBa below reference.
 (Reference: 1 watt, 4-ohms)
 Frequency Response: 20Hz to 20kHz, -3dB
 Reference Supply Voltage: 14.4VDC

CD Player

Signal to Noise Ratio: >85dBa
 Frequency Response: 20Hz to 20kHz, -3dB
 Channel Separation: > 55dB @ 1kHz
 D/A converter: 1Bit/Ch

FM Tuner

Mono Sensitivity: 18dBf
 50dB Stereo Quieting Sensitivity: 20dBf
 Stereo Separation @ 1kHz: >30dB
 Frequency Response: 30Hz to 12kHz, -3dB

AM Tuner

Tuning Range: 530kHz - 1710kHz
 Sensitivity @ 20dB: 30uV
 Signal to Noise @ 1kHz > 50dB
 Frequency Response: 30Hz - 2kHz, -3dB

General

Power Supply: 11 to 16VDC, negative ground
 Fuses: Battery - 5 amp / AGC, Ignition / Accessory - 0.5 amp / AGC
 4 + 9 pin quick-connect harness
 Dimensions: 7" X 7" X 2" (178mm x 178mm x 51mm)

Specifications subject to change without notice.

PCD163

Manual del Usuario

For instructions in English, refer to page 2.

Para obtener instrucciones en Francés, diríjase a la página 30.

PREPARACIÓN

Comenzando

Es buena idea leer completamente las instrucciones antes de iniciar la instalación.

Contenido

Instrucciones De Instalación	17
Cableado	19
Instrucciones de Operación.....	20
Funcionamiento Del Lector de CD	24
Cuidados y Mantenimiento.....	26
Especificaciones.....	27

Requisitos para la Instalación

Esta unidad está diseñada para instalarse en autos, camiones y camionetas con abertura para radio preexistente. En muchos casos, se necesitará un equipo de instalación especial para montar el radio al tablero de instrumentos. Estos equipos se consiguen en tiendas de artículos electrónicos o tiendas de estéreos para automóviles. Antes de comprar el equipo, asegúrese de que funcione con su vehículo. Si necesita un equipo de instalación pero no puede conseguirlo, llame a nuestra línea de atención al cliente al 1-800-645-4994 (sólo para U.S.A. y Canadá).

Herramientas y Provisiones

Las siguientes herramientas y provisiones son necesarias para instalar el radio:

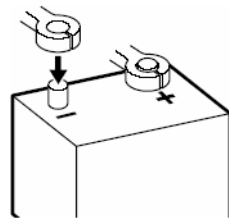
- Llave torx, destornilladores plano y Philips
- Cúter y peladores de cables
- Herramientas para remover la radio existente (destornillador, equipo de llave de casquillo y otras herramientas)
- Cinta aisladora
- Enganchador
- Voltímetro / luz de prueba
- Conexiones para enganchar
- Cable de calibre 18 para conexiones eléctricas, cable de altavoz de calibre 16 a 18

Requerimientos del Altavoz

Solamente conecte los altavoces de carga de impedancia de 4 ohms. Altavoces con una carga de impedancia menor a los 4 ohms pueden dañar la unidad.

Desconecte la Batería

Antes de empezar, siempre desconecte la terminal negativa de la batería.



Asistencia Gratuita en la Instalación

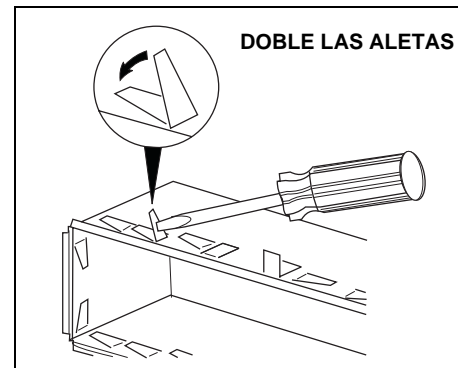
Si requiere asistencia, llame al Soporte Técnico al 1-800-323-4815 de lunes a viernes de 8:30 AM a 7:30 PM tiempo del este y los sábados de 9:00 AM a 5:00 PM tiempo del este (para USA y Canadá solamente.)

INSTRUCCIONES DE INSTALACIÓN

Instalación Utilizando una Manga de Montaje

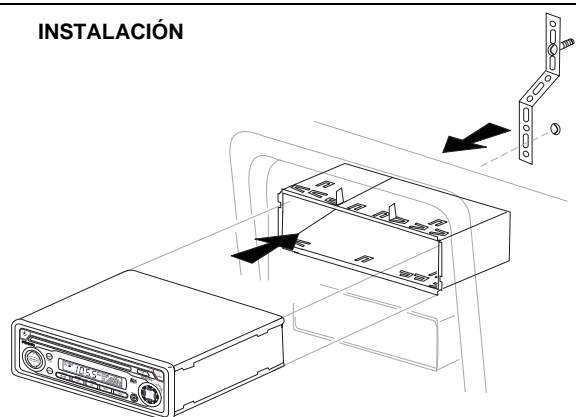
1. Deslice la manga de montaje fuera del chasis. Si está trabada, utilice la herramienta para quitarla (provista).
2. Verifique el tamaño de apertura del tablero deslizando la manga de montaje adentro del mismo. Si la apertura no es lo suficientemente grande, cuidadosamente córtela o límela hasta que la manga se deslice hacia adentro sin dificultad. No fuerce la manga al introducirla en la apertura ni provoque que se doble. Verifique si hay suficiente espacio detrás del tablero para el chasis del radio.
3. Localice la serie de lengüetas para doblar en la parte superior, inferior y costados de la manga de montaje. Con la manga completamente insertada en la apertura del tablero, doble hacia afuera todas las lengüetas que sean necesarias para que quede sujeta firmemente al tablero.
4. Ubique el radio en frente de la apertura del tablero de manera tal que los cables puedan pasar por la manga de montaje. Siga el diagrama de cableado detalladamente y asegúrese de que todas las conexiones estén seguras y aisladas con tuercas para cables y cinta aisladora para asegurar el apropiado funcionamiento de la unidad. Luego de completar las conexiones del cableado, encienda la unidad para confirmar la operación (la ignición del vehículo debe estar encendida). Si la unidad no opera, verifique nuevamente todas las conexiones de cables hasta que se solucione el problema.

5. Asegúrese de que el radio tenga el lado correspondiente hacia arriba, luego cuidadosamente deslícelo dentro de la manga de montar hasta que esté completamente asentado y las presillas lo traben en su lugar.
6. Fije un extremo de la cinta de soporte perforada (provista) al perno en la parte trasera del chasis utilizando la tuerca hexagonal suministrada. Asegure el otro extremo de la cinta perforada a una parte firme del tablero, ya sea arriba o abajo del radio, utilizando el tornillo provisto. Doble la cinta hasta colocarla en la posición adecuada.
7. Verifique la operación del radio leyendo las Instrucciones de Operación.



CUIDADO: La cinta de soporte se debe utilizar para prevenir daños al tablero debido al peso del radio o una inadecuada operación causada por vibraciones.

CUIDADO: Para una correcta operación del equipo de CD, el chasis debe estar montado dentro de los 20° de horizontalidad. Asegúrese de que la unidad esté montada dentro de este límite.



INSTRUCCIONES DE INSTALACIÓN

Equipo de Instalación

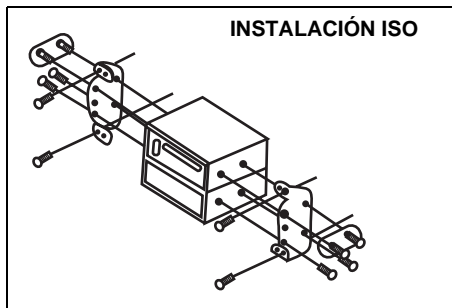
Si su vehículo requiere el uso de un equipo de instalación par amontar este radio, siga las instrucciones incluidas con el equipo de instalación para adherir el radio al plato de montaje provisto en el equipo.

1. Conecte el cable y verifique el radio como se determina en las instrucciones de Instalación Universal.
2. Instale el radio o el ensamblaje del plato de montaje al segundo tablero, de acuerdo a las instrucciones en el equipo de instalación.
3. Adjunte la cinta de soporte al radio y al tablero como se describe en las instrucciones de Instalación Universal.
4. Reemplace el panel de ajuste del tablero.

Instalación ISO

Esta unidad tiene agujeros roscados en los paneles laterales de chasis que pueden utilizarse con las ménsulas de montar originales de fábrica que vienen con algunos vehículos para motar el radio al tablero. Por favor, consulte en su tienda local de estéreos de automóviles si necesita asistencia en este tipo de instalación.

1. Quite del tablero el radio existente de fábrica o centre la consola de montaje.



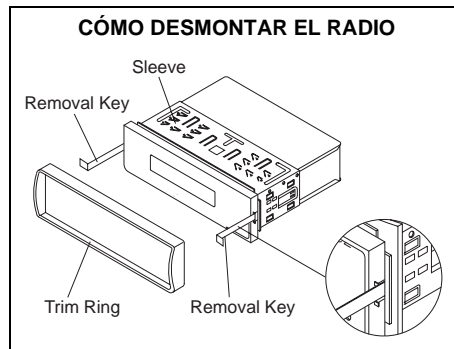
- Guarde todos los elementos y ménsulas pues serán utilizados para montar el nuevo radio.
2. Con cuidado destrabe el marco plástico del frente del chasis del nuevo radio. Quite y deseche el marco.
 3. Quite las ménsulas y elementos de montaje que vienen de fábrica con el radio existente y adhiéralos al nuevo radio.

NOTA: No exceda el tamaño de tornillo de M5 x 9MM. Tornillos más largos pueden tocar y dañar componentes dentro del chasis.

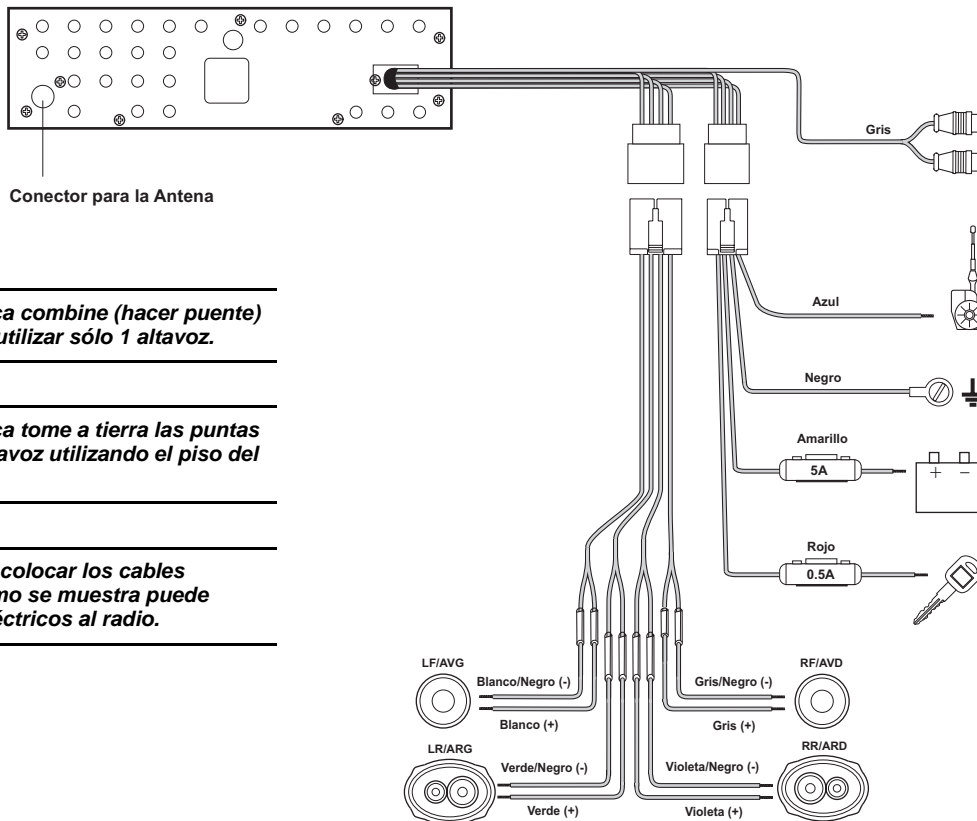
4. Conecte los cables del nuevo radio al vehículo como se especifica en las instrucciones de Instalación Universal.
5. Monte el ensamblaje del nuevo radio al tablero o a la consola central utilizando el procedimiento reverse al paso 1.

Cómo Desmontar el Radio

Para quitar el radio luego de la instalación, quite el anillo de protección levantando el centro y jalándolo por cualquiera de los lados. Inserte las llaves para quitar hasta el fondo hasta que se enganchen y jale el radio hacia fuera. Si las llaves para quitar están insertadas en un ángulo, no se fijarán adecuadamente para liberar la unidad.



CABLEADO



¡CUIDADO! Nunca combine (hacer puente) las salidas para utilizar sólo 1 altavoz.

¡CUIDADO! Nunca tome a tierra las puntas negativas del altavoz utilizando el piso del chasis.

CUIDADO: El no colocar los cables exactamente como se muestra puede causar daños eléctricos al radio.

Conexión del Amplificador

Conecte la línea de salida para una amplificación externa óptima. El conector rojo es para la derecha y el blanco para la izquierda.

Alimentación Antena

Conectar a la antena o al amplificador. Si no se utilizara el cable, se debe recubrir la punta del cable.

Conexión a Tierra

Conectar a la terminal de tierra.

Memoria/Batería

Conectar a la batería o a la fuente de energía de 12 voltios que está siempre viva. La radio no funcionará si este cable no está conectado.

Accesorio/Ignición

Conectar al cable de la radio o al fusible de la radio.

Fusibles

Cuando reemplace un fusible asegúrese que el fusible nuevo sea del tipo correcto y tenga el amperaje adecuado. Si utiliza un fusible incorrecto.

INSTRUCCIONES DE OPERACIÓN

① Botón de Encendido / Apagado

Presione el botón encendido (1) para encender o apagar la unidad cuando la ignición del vehículo esté en marcha. Si el radio está apagado cuando la ignición se apaga, se debe presionar el botón encendido para encender el radio luego de que se encienda la ignición. Si la ignición se apaga cuando el radio está encendido, el radio se encenderá automáticamente cuando se encienda nuevamente la ignición.

② Panel de Pantalla de Cristal Líquido

La Pantalla de Cristal Líquido (LCD), por sus siglas en inglés) exhibe la frecuencia del radio, la hora y todas las funciones activas.

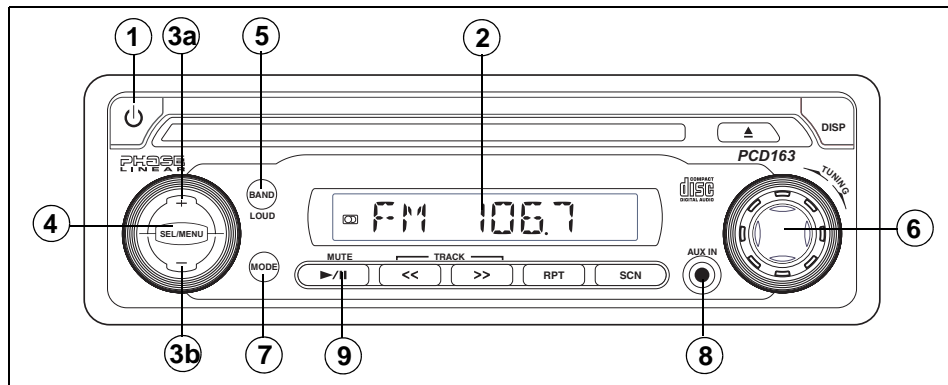
NOTA: Es una característica de los paneles LCD que al ser sometidos a bajas temperaturas por períodos de tiempo prolongados, pueden necesitar más tiempo para iluminarse que bajo condiciones normales. Además, puede bajar levemente la visibilidad de los números en el LCD. La visibilidad del LCD retornará a la normalidad cuando la temperatura dentro del vehículo suba a un rango normal.

③ Control de Volumen

Para subir el nivel de volumen, presione el botón volumen + (3a). El volumen incrementará y el nivel aparecerá en la pantalla del panel desde un mínimo de "VOL 00" a un máximo de "VOL 46". Para bajar el nivel de volumen, presione el botón de volumen - (3b). La pantalla automáticamente volverá a lo que exhibe normalmente 5 segundos después del último ajuste de volumen o cuando se active otra función. Estos botones también se utilizan en conjunto con el botón **SEL/MENU** (4) para ajustar los niveles de sonidos graves (bass), agudos (treble), balance izquierdo-derecho (balance) y balance delantero-trasero (fader).

④ Botón de Selección (SEL/MENU)

Este botón de **SEL/MENU** (4) se utiliza para seleccionar la función de audio (volumen, sonidos graves, agudos, balance delantero-trasero e izquierdo-derecho) que se ajustará utilizando el codificador giratorio. Presione el botón **SEL/MENU** una vez para ajustar el nivel de volumen en la unidad (aparecerá momentáneamente en pantalla "VOL" y el número seleccionado). Presione nuevamente el botón para seleccionar niveles graves ("BASS" aparecerá en pantalla), agudos (TRE), balance izquierdo-derecho (BAL), balance delantero-trasero (FAD) y volumen (VOL) nuevamente. La pantalla volverá a lo que exhibe normalmente 5 segundos después del último ajuste de volumen o cuando se active otra función.



INSTRUCCIONES DE OPERACIÓN

④ Control de Graves

Para ajustar el nivel de graves, presione el botón **SEL/MENU** (4) hasta que "BAS" aparezca en la pantalla del panel. Dentro de los cinco segundos siguientes, presione los botones de volumen **+/-** (3a y 3b) para ajustar los sonidos graves desde "BAS -5" a "BAS +5". "BAS 00" representa un sonido neutro.

④ Control de Agudos

Para ajustar el nivel de agudos, presione el botón **SEL/MENU** (4) hasta que "TRE" aparezca en la pantalla del panel. Dentro de los cinco segundos siguientes, presione los botones volumen **+/-** (3a y 3b) para ajustar los sonidos agudos desde un mínimo de "TRE -5" hasta un máximo de "TRE +5". "TRE 00" representa un sonido neutro.

④ Control de Balance Izquierdo-Derecho

Para ajustar el balance de altavoces izquierdo-derecho, presione el botón **SEL/MENU** (4) hasta que "BAL" aparezca en la pantalla del panel. Dentro de los cinco segundos siguientes, presione los botones volumen **+/-** (3a y 3b) para ajustar el balance entre los altavoces izquierdo y derecho desde "BAL 12L" (completamente a la izquierda) hasta "BAL 12R" (completamente a la derecha). "BAL L=R" representa un balance equilibrado entre los altavoces derecho e izquierdo.

④ Control de Balance Delantero/Trasero

Para ajustar el balance delantero-trasero, presione el botón **SEL/MENU** (4) hasta que "FAD" aparezca en la pantalla del panel. Dentro de los cinco segundos siguientes, presione los botones volumen **+/-** (3a y 3b) para ajustar el balance entre los altavoces delanteros y traseros desde "FAD 12F" (completamente adelante) hasta "FAD 12R" (completamente atrás). "FAD F=R" representa un balance equilibrado entre los altavoces delanteros y traseros.

④ Menú de Sistema

Mantenga presionado el botón **SEL/MENU** (4) para ver al menú de sistema. Continúe presionando el botón **SEL/MENU** para acceder a las opciones de menú en el siguiente orden: BEEP ON/OFF, P--VOL (volumen de encendido), CLK ON/OFF, Display Priority, 12/24 HOUR clock. Utilice los botones de volumen **+/-** (3a y 3b) para ajustar las configuraciones de opción de menú.

- Audible BEEP (ON/OFF): Seleccione ON (encendido) para escuchar un bip audible cada vez que se active esta función.
- P--VOL (00-46): Seleccione el volumen de encendido deseado.
- CLK (ON/OFF): Seleccione ON para que el reloj aparezca en el LCD cuando el radio esté apagado. Elija OFF para que el LCD

permanezca oscuro cuando el radio esté apagado.

- Display Priority o Prioridad en Pantalla (FREQ PRI, CLK PRI, NO PRI): Seleccione FREQ PRI para revertir la frecuencia en pantalla luego de algunos segundos de inactividad. Seleccione CLK PRI para volver automáticamente a mostrar el reloj en pantalla luego de algunos segundos de inactividad. Seleccione NO PRI si no quiere que la pantalla cambie automáticamente. Utilice el botón DISP para cambiar sus preferencias de pantalla.
- (12/24) HOUR: Con esta configuración seleccione el modo de 12 o 24 horas para el reloj.

⑤ Control de Sonoridad (BAND/LOUD)

Quando escuche música en volumen bajo, esta función potenciará los rangos graves y agudos para compensar debido a las características del oído humano. *Presione y mantenga* el botón **BAND/LOUD** (5) para activar esta función indicada en la pantalla por "LOUD ON". *Mantenga presionado* nuevamente el botón **BAND/LOUD** para desactivar esta función y "LOUD OFF" aparecerá en pantalla.

⑤ Selector de Banda AM/FM

Durante la reproducción del radio, presione el botón **BAND** (5) para cambiar la banda del radio. La indicación "AM" o "FM" aparece en la pantalla de acuerdo a su selección.

INSTRUCCIONES DE OPERACIÓN

6 Control de Sintonía Manual

Gire el control de sintonía manual (**TUNING**, 6) para sintonizar frecuencias ascendentes en la banda o hacia el lado opuesto de las agujas del reloj para sintonizar frecuencias descendentes en la banda. La frecuencia en la que sintoniza el radio aparecerá con formato digital en la pantalla. Cuando sintonice una estación, siempre ajuste el control hasta ver en pantalla la frecuencia de transmisión correcta y recibir una señal clara. Si el radio está sintonizado fuera de frecuencia, usted puede experimentar audio distorsionado, ruidos y otros problemas de recepción.

7 Botón de Modo (MODE)

El botón **MODE** (7) le permite seleccionar entre reproducción de radio o disco. Cuando un CD se esté reproduciendo, al presionar el botón **MOD** volverá el equipo a recepción de radio.

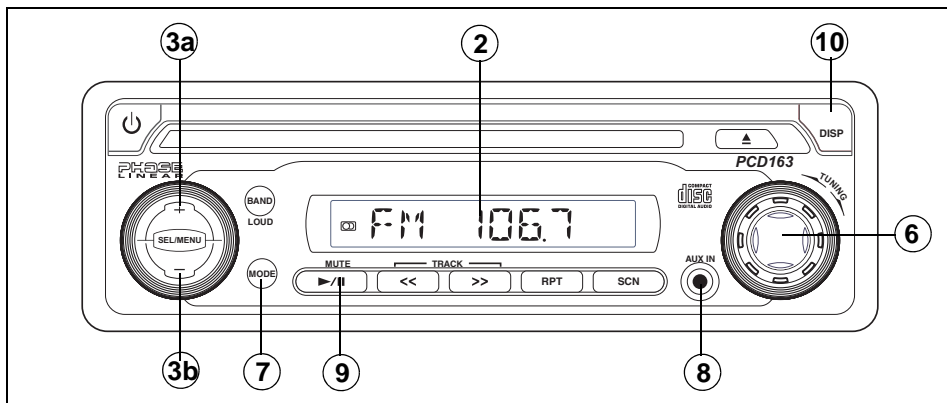
8 Entrada Auxiliar

Para acceder a un dispositivo auxiliar:

1. Conecte el reproductor de audio portátil a la entrada auxiliar **AUX IN** del panel delantero (8).
2. Presione el botón **MODE** (7) para seleccionar el modo Aux In.
3. Presione **MODE** nuevamente para cancelar el modo Aux In e ir al modo siguiente.

9 Audio Mudo

Presione el botón **MUTE** (▶/||, 9) para silenciar el volumen del radio. (Si presiona este botón mientras hay un CD en reproducción, el CD se detendrá). "MUTE" aparecerá en pantalla y se silenciará el volumen. Presionando el botón **MUTE** nuevamente, o presionando los botones volumen +/- (3a y 3b) o el botón **SEL/MENU** (4) el volumen volverá al nivel en uso antes de que se active la función de audio mudo.



INSTRUCCIONES DE OPERACIÓN

⑩ Selector de Visualización (DISP)

Esta unidad puede exhibir ya sea el reloj o la frecuencia del radio y las funciones de reproducción de CD. De acuerdo a las configuraciones del Menú de Sistemas (lea "Menú de Sistema" en la página 21), se pueden mostrar las frecuencias de radio, la pista del reproductor de CD o el reloj. Presione el botón **DISP** (10) para cambiar entre la información de Frecuencia o de CD, o el reloj.

Poniendo en Hora el Reloj

Para poner en hora el reloj, siga las siguientes instrucciones:

1. Encienda la ignición del vehículo y el radio.
2. Presione y mantenga el botón **DISP** (10) hasta que la hora destelle en pantalla.
3. Dentro de los 5 segundos, presione el botón volumen + (3a) para ajustar la hora.
4. Presione el botón volumen – (3b) para ajustar los minutos.

Cinco segundos luego de que haya realizado el último ajuste de hora o minutos, la hora se guardará en la unidad y el funcionamiento normal reanudará.

FUNCIONAMIENTO DEL LECTOR DE CD

11 Ranura para Disco

Con el sello hacia arriba, inserte completamente un CD dentro de la ranura (11) hasta que el mecanismo lo enganche y jale hacia adentro. El símbolo de disco (🌀) y "S--CDP" aparecerán en pantalla. La reproducción iniciará desde la primera pista del disco y el número de pista y tiempo de reproducción aparecerán en pantalla.

NOTA: La unidad está diseñada para pasar discos compactos estándar de 5" solamente (12 cm.). No intente utilizar CD simples de 3" (8 cm.) en esta unidad, con o sin adaptador, pues puede causar daños en el equipo y/o en el disco. Tales daños no serán cubiertos por la garantía de este producto.

9 Ejecución de CD/Pausa

Durante la reproducción del disco, presione el botón (▶/||, 9) para detener el disco. Cuando esté en pausa, "S -- PAUSE" aparece en pantalla, el símbolo de disco destella y se suspende la reproducción. Cuando se presione nuevamente, la ejecución reiniciará desde el punto en el cual el disco fue detenido.

12 Selector de Pistas Hacia Adelante

Durante la reproducción de un CD, el botón para adelantar pistas (TRACK >>, 12) se utiliza para seleccionar rápidamente el inicio de una pista en particular que se encuentre más adelante. Cada vez que presione el botón, el número de la próxima pista será seleccionado como se muestra en pantalla.

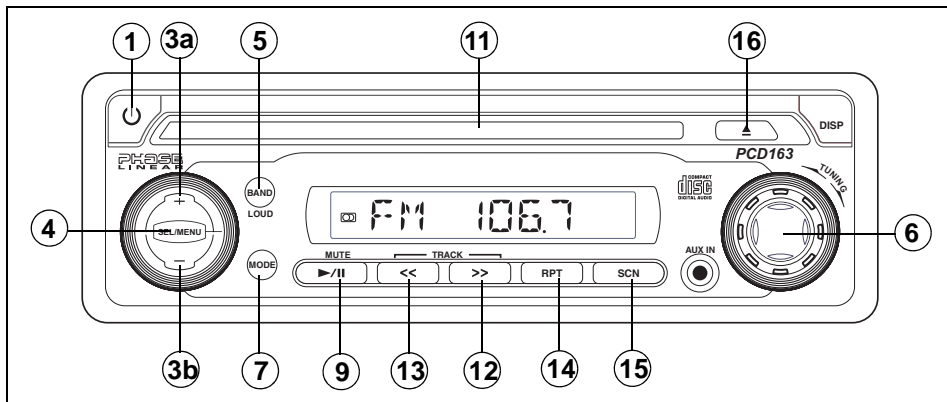
13 Selector de Pistas Hacia Atrás

Durante la reproducción de un CD, el botón para retroceder en pistas (TRACK <<, 13) se utiliza para seleccionar rápidamente el inicio de

una pista en particular anterior a esa posición. Cada vez que presione el botón, el número de la pista anterior será seleccionado como se muestra en pantalla.

12, 13 Funciones de Avance y Retroceso

Se puede realizar una búsqueda audible de alta velocidad en cualquier sección del disco con la función de Avance y Retroceso. Presione y mantenga presionado el botón de pista hacia adelante (TRACK >>, 12) para avanzar rápidamente o el botón de pista hacia atrás (TRACK <<, 13) para retroceder rápidamente.



FUNCIONAMIENTO DEL LECTOR DE CD

⑭ Selector de Reproducción con Repetición (RPT)

Durante la reproducción de un disco, presione el botón **RPT** (14) para repetir la ejecución de una pista deseada ("S -- RPT" aparece en pantalla seguido del número de pista actual). La ejecución de la pista seleccionada continuará repitiéndose hasta que la función de Repetición de Pista sea cancelada presionando nuevamente el botón o activando las funciones de Exploración de Introducciones, luego de lo cual "S -- RPT" desaparece de pantalla.

⑮ Selector de Exploración de Pistas (SCN)

Durante la ejecución de un disco, presione el botón **SCN** (15) para reproducir los primeros 10 segundos de cada pista ("S -- SCN" y el número de pista aparecerá en pantalla). Cuando se alcance la pista deseada, presione **SCN** nuevamente para cancelar la función y reproducir esa pista seleccionada. El modo de Exploración de Pistas también se puede cancelar activando la función de Repetición (14).

⑯ Botón de Expulsión de Disco

Presione le botón de expulsión ▲ (16) para detener la reproducción y expulsar el disco. La unidad volverá a reproducción de radio. Los discos pueden ser expulsados con la ignición del vehículo encendida o apagada. Si no quita de la ranura un disco expulsado, dentro de los 10 segundos siguientes el disco se insertará automáticamente y el símbolo de disco reaparecerá en pantalla para mostrar que un disco está aún adentro de la unidad.

NOTA: Para prevenir el daño accidental de un disco, siempre quite el disco de la unidad cuando finalice la reproducción del mismo.

CUIDADOS Y MANTENIMIENTO

Su nuevo reproductor de radio/CD no requiere mantenimiento. Sin embargo, el entender cómo se lo utiliza y mantiene adecuadamente le ayudará a sacar el máximo provecho de sus capacidades. Recomendamos que conserve este manual para utilizarlo como referencia sobre las funciones de esta unidad así como también la manera en poner en hora el reloj. Se deben respetar los siguientes puntos:

- Cuando limpie el interior del vehículo, no utilice agua o líquidos de limpieza sobre la unidad.
- El reproductor de CD es un instrumento de precisión y no funcionará adecuadamente bajo calor o frío extremos. Si tales condiciones se dan, espere hasta que el interior del vehículo alcance una temperatura normal antes de utilizar el reproductor.
- Si la temperatura dentro del reproductor llega a ser muy caliente, un circuito de protección automáticamente detendrá la ejecución del disco. En este caso, deje que la unidad se enfríe antes de utilizar nuevamente el reproductor.
- Nunca inserte nada que no sea un disco compacto de 5" (12 cm) dentro del reproductor, pues el mecanismo puede ser dañado por objetos extraños.
- No intente utilizar un CD simple de 3" (8 cm.) en esta unidad, con o sin adaptador, pues puede causar daños en el equipo y/o en el disco. Tales daños no serán cubiertos por la garantía de este producto.
- Cuando no utilice el reproductor, quite el disco compacto. Nunca deje un disco expulsado en la ranura de discos, pues quedaría expuesto a luz solar y a otros posibles daños.
- No intente abrir el chasis de la unidad. No hay partes aprovechables por el usuario o puntos para ajustar por adentro.
- Cuando el vehículo se calienta durante clima frío o bajo condiciones de humedad, puede aparecer condensación en los lentes del reproductor de discos. Si esto ocurre, el reproductor no operará apropiadamente hasta que la humedad se haya evaporado.
- La unidad posee un mecanismo de amortiguación de vibraciones para minimizar la interrupción de la ejecución del disco debido a la vibración normal de un vehículo en movimiento. Sin embargo, cuando esté conduciendo en caminos en malas condiciones, es posible que algunos sonidos se escapen. Esto no rayará o dañará el disco y cuando las malas condiciones del camino cesen, volverá a sonar el disco normalmente.

Manipulando Discos Compactos

Suciedad, polvo, rayas o combas pueden causar saltos en la reproducción y deterioro de la calidad del sonido. Por favor, siga estos lineamientos para cuidar de sus discos compactos:

- Con cuidado limpie con un paño suave huellas digitales, polvo y suciedad de las superficies del disco. Realice un movimiento recto desde el centro al exterior del disco.
- Nunca utilice químicos tales como vaporizadores para discos o limpiadores del hogar para limpiar CD, pues pueden dañar la superficie del disco irremediablemente.
- Los discos se deben guardar en sus cajas cuando no están en uso.
- No exponga discos a la luz directa del sol, a altas temperaturas o a condiciones de alta humedad por periodos prolongados.
- No pegue papel, cinta o etiquetas en las superficies de los discos.

BOTÓN DE REINICIAR (RESET)

Un botón para reiniciar se encuentra detrás de la cubierta, en el lado izquierdo (el panel delantero se debe quitar para acceder al botón). La función de Reinicio (reset) se provee para proteger el circuito del microprocesador. Debido a que activarla borrará la hora y las memorias configuradas previamente, solamente se debe utilizar bajo las siguientes circunstancias: Luego de la instalación inicial, después de que todo el cableado se haya realizado; Si hay un mal funcionamiento de cualquiera de los interruptores de la unidad. El presionar el botón de Reinicio puede limpiar el sistema y regresarlo a un funcionamiento normal.

ESPECIFICACIONES

Dependiendo del tipo de medio y método de grabación, algunos CD-R/RW pueden ser incompatibles con esta unidad. Luego de grabar el CD, **se debe cerrar la sesión**. Por favor, siga los procedimientos recomendados por su programa de grabación para cerrar un disco. Revise su programa de grabación para familiarizarse con los procedimientos correctos de grabación de CD. Recomendamos utilizar las últimas versiones de los programas para grabar discos compactos ROXIO™ o NERO™.

Además, esta unidad solamente reconocerá el formato CDDA (Audio Digital de Disco Compacto) grabado en un CD-R/RW. Esta unidad no lee .MP3, .WMA, .WAV, .OGG u otros formatos. El formato CDDA es un formato estándar de un CD "original comprado en una tienda". Cuando grabe un CD-R/RW, asegúrese de seleccionar el formato CDDA.

Especificaciones Técnicas



Categorías de Energía CEA

Salida de Energía: Canales 3 watts RMS X4 en 4-ohms en < 1% THD+N
 Señal a Coeficiente de Ruido: 70dBA bajo referencia. (Referencia: 1 watt, 4-ohms)
 Frecuencia de Respuesta 20Hz a 20kHz, -3dB
 Voltaje de Suministro de Referencia: 14.4VDC

Reproductor de CD

Señal a Coeficiente de Ruido: >85dBA
 Frecuencia de Respuesta 20Hz a 18kHz, -3dB
 Separación de Canal: > 55dB en 1kHz
 Convertidor D/A: 1Bit/Ch

Sintonizador FM

Rango de Sintonía: 87.5MHz - 107.9MHz
 Sensibilidad Monoaural: 18dBf
 Sensibilidad de Silenciamiento Estéreo de 50dB: 20dBf

Separación de Estéreo en 1kHz >30dB
 Frecuencia de Respuesta 30Hz a 12kHz, -3dB

Sintonizador AM

Rango de Sintonía: 530kHz - 1.710kHz
 Sensibilidad en 20dB Señal a Ruido: 30uV
 Frecuencia de Respuesta 30Hz-2kHz, -3dB

General

Alimentación: 11 a 16VDC, negativo a tierra
 Fusibles: Batería - 5 amp/AGC, Ignición/
 Accesorio - 0.5 amp/AGC
 Arnés de conexión rápida de pin 4 + 9
 Dimensiones: 7" X 7" X 2" (178mm x 178mm x 51mm)

Especificaciones sujetas a cambios sin notificación.

PCD163

Manual de L'Utilisateur

For instructions in English, refer to page 2.

Para obtener instrucciones en Español, dirijase a la página 16.

PRÉPARATION

Mise en Marche

C'est une bonne idée de lire toutes les instructions avant de commencer l'installation.

Table des Matières

Instructions d'Installation	31
Câblage	33
Instructions d'Operation	34
Opération de la Platine CD.....	38
Soin et Entretien.....	40
Specifications	41

Exigences d'Installation

Cet appareil est destiné à être installé dans des voitures, des camions et des camionnettes avec une ouverture radio existante. Dans bien des cas, une trousse d'installation spéciale sera exigée pour monter la radio sur le tableau de bord. Ces trousse sont disponibles dans des magasins de fournitures électroniques et des boutiques qui spécialisent dans des stéréos voitures. Vérifiez toujours l'application de la trousse avant de l'acheter pour assurer que la trousse est compatible avec votre véhicule. Si vous avez besoin d'une trousse et ne pouvez pas en trouver une, veuillez prendre contact avec notre soutien client à 1-800-645-4994 (Etats-Unis et Canada seulement).

Outils et Matériel

Vous aurez besoin des outils et du matériel suivants pour installer la radio :

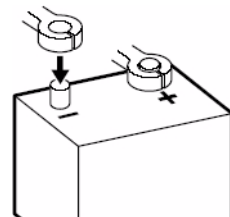
- Type Torx des tournevis plat et Philips
- Des coupeurs de fil et séparateurs d'épuisement
- Outils pour enlever la radio existante (tournevis, un ensemble de clés à douille et d'autres outils)
- Bande électrique
- Outil à sertissage
- Voltmètre/lumière d'épreuve
- Connexions à sertissage
- Fer jauge 18 pour branchage puissance, fer jauge 16 – 18 de haut parleur

Pour les Haut Parleurs

Ne connectez que les haut parleurs qui sont évalués pour une impédance de charge de 4 ohms. Des hauts parleurs avec une impédance de charge de moins de 4 ohms peuvent nuire à l'appareil.

Débrancher la Batterie

Il faut toujours débrancher la borne de batterie négative avant de commencer.



Aide d'Installation Gratuite

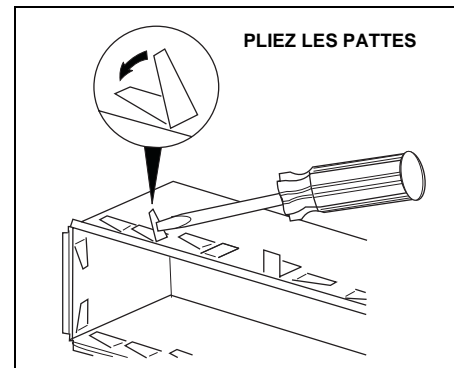
Si vous avez besoin d'aide, prenez contact avec Soutien Technique à 1-800-323-4815 de 8H30 à 19H EST lundi jusqu'à vendredi, et de 9H à 17H EST le samedi (Etats-Unis et Canada seulement).

INSTRUCTIONS D'INSTALLATION

Installation en Utilisant un Manchon de Montage

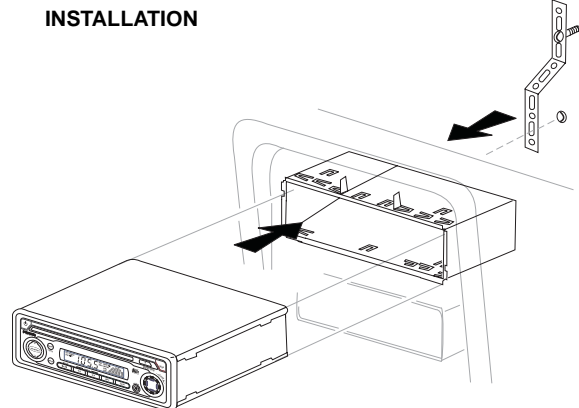
1. Glissez le manchon de montage du châssis. S'il est verrouillé, utilisez les outils d'enlèvement (fournis) pour le désengager.
2. Vérifiez la taille d'ouverture sur le tableau de bord en glissant dedans le manchon de montage. Si l'ouverture n'est pas assez grande, coupez ou nivelez à la lime comme il faut jusqu'à ce que le manchon glisse facilement dans l'ouverture. Ne forcez pas le manchon dans l'ouverture ou faire en sorte qu'il se plie ou se tord. Vérifiez qu'il y a suffisamment de place derrière le tableau de bord pour le châssis de la radio.
3. Trouvez une série de languettes de courbure sur le dessus, le dessous et les côtés du manchon de montage. Avec le manchon inséré jusqu'au bout dans l'ouverture du tableau de bord, pliez autant de languettes vers le dehors qu'il faut pour attacher le manchon au tableau de bord d'une manière ferme.
4. Placez la radio devant l'ouverture du tableau de bord pour que le câblage puisse être placé à travers le manchon de montage. Suivez le schéma du câblage et assurez-vous que toutes les connexions sont sûres et isolées avec des serres-fils ou de la bande électrique pour assurer le bon fonctionnement de l'appareil. Après avoir terminé avec les connexions du câblage mettez l'appareil en marche pour confirmer l'opération (le véhicule doit être allumé). Si l'appareil ne fonctionne pas, vérifiez de nouveau tout le câblage jusqu'à ce que le problème soit résolu.

5. Assurez vous que la radio est montée dans le sens correct et puis glissez la radio dans le manchon de montage jusqu'à ce qu'il soit bien fixé et les attaches à ressort la verrouillent bien en place.
6. Attachez un bout de la courroie de soutien perforée (fournie) au goujon d'écrou à l'arrière du châssis en utilisant l'écrou hexagonal fourni. Attachez l'autre bout de la courroie perforée à une partie sûre du tableau de bord soit au-dessus ou au-dessous de la radio en utilisant l'écrou fourni. Pliez la courroie pour le positionner comme il faut.
7. Testez l'opération de la radio en vous référant aux instructions d'opération.



AVERTISSEMENT : La courroie de soutien doit être utilisée pour empêcher qu'il y ait des dégâts au tableau de bord du poids de la radio ou une opération incorrecte à cause de la vibration.

AVERTISSEMENT : Pour une bonne opération de la platine CD le châssis doit être monté dans un angle de 20° de l'horizontal. Assurez vous que l'appareil est monté avec cette limitation.



INSTRUCTIONS D'INSTALLATION

Installation de la Trousse

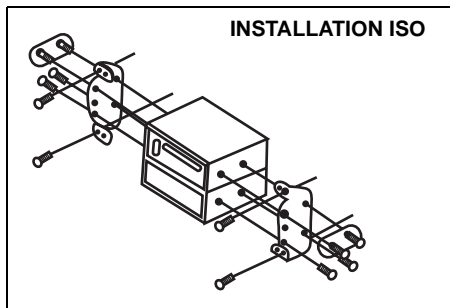
Si votre voiture exige l'usage d'une trousse d'installation pour monter la radio, suivez les instructions qui accompagne la trousse pour attacher la radio au plateau de montage fourni avec la trousse.

1. Câblez et testez la radio en suivant les instructions pour l'installation universelle.
2. Installez l'ensemble radio /plateau de montage à la sous-planche de bord suivant les instructions contenues dans la trousse d'installation.
3. Attachez la lanière de support à la radio et à la planche de bord suivant les instructions pour l'installation universelle.
4. Remplacez le panneau de la planche de bord.

Installation ISO

L'appareil a des trous à visser sur les panneaux de côté du châssis qui peuvent être utilisés avec les supports de montage de l'usine de certains véhicules pour monter la radio sur la planche de bord. Consultez votre magasin de stéréos voiture pour être aidé dans ce type d'installation.

1. Enlevez la radio d'usine existante de la planche de bord ou du console central de montage. Préservez tout le matériel et les



INSTALLATION ISO

- consoles qui seront utilisés pour monter la nouvelle radio.
2. Ouvrez d'un coup sec le cadre plastique du devant du châssis de la nouvelle radio. Enlevez et jetez le cadre.
 3. Enlevez les supports de montage et le matériel de la radio existante et attachez-les à la nouvelle radio.

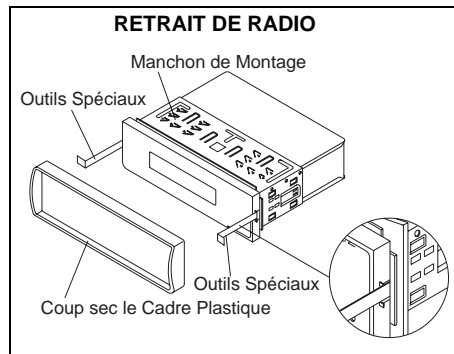
A NOTER : Ne dépassez pas une taille de clou de 5mm x 9mm. Des clous plus longs peuvent nuire aux composants à l'intérieur du châssis.

4. Câblez la nouvelle radio au véhicule en suivant les instructions pour l'installation universelle.

5. Montez l'ensemble de la nouvelle radio à la planche de bord ou au console central en renversant la procédure établie par (1).

Retrait de Radio

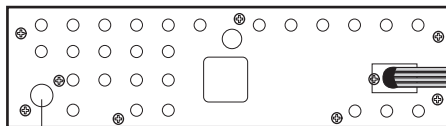
Pour enlever la radio après l'installation, enlevez la rondelle décorative en soulevant le centre et le tirant de chaque côté. Insérez les clés d'enlèvement tout droit jusqu'à ce qu'ils se verrouillent et arrachez la radio. Si les clés d'enlèvement sont insérées à un angle ils ne se verrouilleront pas pour relâcher l'appareil.



RETRAIT DE RADIO

Manchon de Montage
Outils Spéciaux
Outils Spéciaux
Coup sec le Cadre Plastique

CÂBLAGE

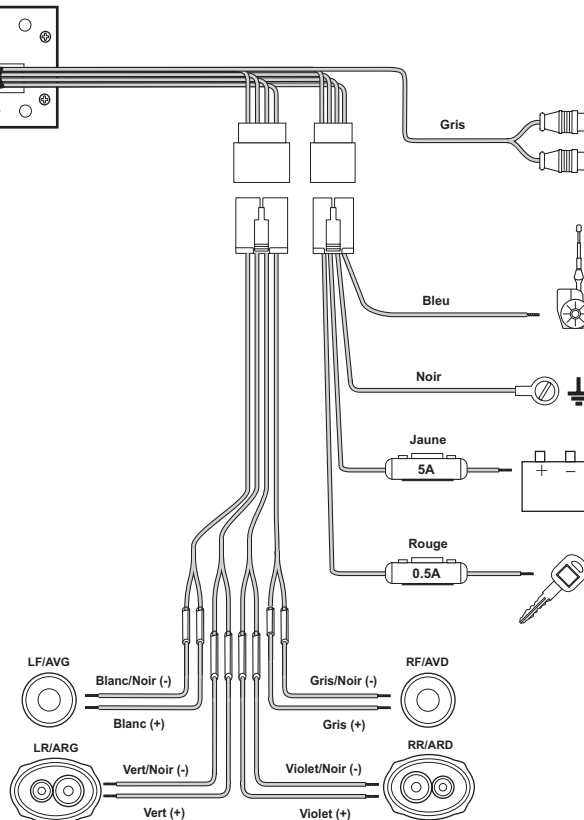


Connecteur de Antenne

AVERTISSEMENT ! Ne combinez jamais des sorties (ponts) pour utilisation avec un haut parleur.

AVERTISSEMENT ! Ne terrez jamais des fils de sortie négatifs de haut parleur avec la masse.

AVERTISSEMENT : Si le câblage n'est pas fait comme montré, vous risquez de faire des dégâts électriques à la radio.



Câblage Amplificateur

Branchez le fil pour un amplificateur externe facultatif. Le fil rouge est pour la droite et le fil blanc pour la gauche.

Antenne motorisée

Branchez à l'antenne motorisée ou à l'amplificateur. S'il n'est pas utilisé, recouvrez l'extrémité dénudée du fil de ruban adhésif.

Mise à la terre

Connectez à la borne de mise à la terre.

Mémoire/Batterie

Connectez à la batterie ou à une source d'alimentation 12 volts toujours sous tension. La radio ne fonctionnera pas si ce fil n'est pas branché.

Accessoires/Allumage

Connectez au fil de la radio existante ou au fusible du radio.

Fusibles

Lors du remplacement d'un fusible, assurez-vous que le fusible de remplacement est du type et de la puissance appropriés. L'utilisation d'un fusible non approprié pourrait endommager la radio.

INSTRUCTIONS D'OPERATION

① Bouton de Puissance en Marche/en Arrêt

Appuyez sur le bouton puissance (1) pour mettre l'appareil en marche ou en arrêt lorsque le commutateur d'allumage est allumé. Lorsque l'appareil est en arrêt, l'horloge est automatiquement affiché dans le panneau d'affichage à cristaux liquides à moins que le commutateur d'allumage ne soit éteint. Si le commutateur d'allumage est éteint lorsque la radio est en marche, la radio se mettra automatiquement en marche lorsque le commutateur d'allumage est remis en fonction.

② Panneau d'Affichage à Cristaux Liquides

Le panneau d'affichage à cristaux liquides affiche la fréquence, l'heure et toutes les fonctions activées.

A NOTER : Il est une des caractéristiques des panneaux d'affichage à cristaux liquides que sujets à des froids prolongés ils peuvent se mettre plus longtemps pour s'illuminer que dans des conditions normales. En outre, la visibilité des numéros sur le panneau d'affichage à cristaux liquides peut diminuer. La lecture du panneau d'affichage à cristaux liquides va revenir à normal lorsque la température à l'intérieur du véhicule remonte à normal.

③ Contrôle du Volume

Appuyez sur le bouton volume + (3a) pour augmenter le niveau du volume. Le volume va

augmenter et le niveau de volume sera montré dans le panneau d'affichage d'un minimum de VOL 00 jusqu'à un maximum de VOL 46.

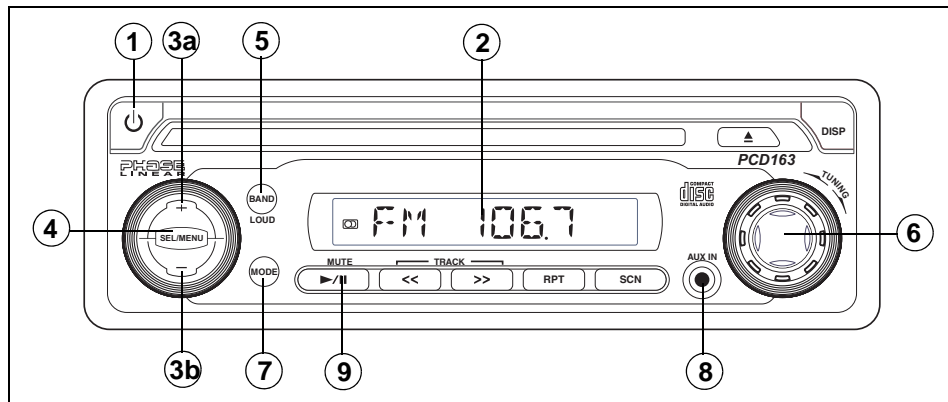
Appuyez sur le bouton volume – (3b) pour diminuer le volume. L'affichage reviendra à l'indication normale dans 5 minutes après le dernier ajustement pour volume ou lorsqu'une autre fonction est activée. Ces boutons peuvent aussi être utilisés en conjonction avec le bouton SEL/MENU (4) pour ajuster le basse, l'aigu, la balance et l'équilibreur.

④ Bouton de Sélection (SEL/MENU)

Le bouton SEL/MENU (4) est utilisé pour sélectionner la fonction audio (volume, basse, aigu, balance, équilibreur) à être ajusté en utilisant

l'enchiffreur rotatif. Appuyez une fois sur le bouton SEL/MENU pour régler l'appareil pour l'ajustement du volume (VOL et le numéro réglé vont apparaître momentanément sur le panneau d'affichage).

Appuyez sur le bouton plusieurs fois pour sélectionner le basse (BAS sur le panneau d'affichage), l'aigu (TRE), la balance (BAL), l'équilibreur (FAD) et le volume (VOL) encore une fois. L'affichage revient à l'indication normale 5 secondes après le dernier ajustement ou lorsqu'une autre fonctions est activée.



INSTRUCTIONS D'OPERATION

④ Contrôle de Basse

Pour ajuster le niveau de basse, appuyez sur le bouton **SEL/MENU** (4) jusqu'à ce que BAS apparaisse sur le panneau d'affichage. Dans cinq secondes appuyez sur les boutons volume **+/-** (3a et 3b) pour ajuster le niveau de basse d'un minimum de BAS -5 jusqu'à un maximum de BAS +5. BAS 00 représente une réponse plate.

④ Contrôle d'Aigu

Pour ajuster le niveau d'aigu, appuyez sur le bouton **SEL/MENU** (4) jusqu'à ce que TRE apparaisse dans le panneau d'affichage. Dans cinq secondes, appuyez sur les boutons volume **+/-** (3a et 3b) pour ajuster le niveau d'aigu d'un minimum de TRE -06 jusqu'à un maximum de TRE +6. TRE 00 représente une réponse plate.

④ Contrôle de Balance Droite/Gauche

Pour ajuster l'équilibre entre les hauts parleurs de droite et de gauche, appuyez sur le bouton **SEL/MENU** (4) jusqu'à ce que BAL apparaisse sur le panneau d'affichage. Dans cinq secondes appuyez sur les boutons volume **+/-** (3a et 3b) pour ajuster l'équilibre entre les hauts parleurs de droite et de gauche de BAL 12L (plein gauche) à BAL 12R (plein droite). BAL L=R représente un équilibre parfait entre les hauts parleurs de droite et de gauche.

④ Contrôle d'équilibre Avant/Arrière

Pour ajuster l'équilibre entre les hauts parleurs d'avant et d'arrière, appuyez sur le bouton **SEL/MENU** (4) jusqu'à ce que FAD apparaisse sur le panneau d'affichage. Dans cinq secondes, appuyez sur les boutons volume **+/-** (3a et 3b) pour ajuster l'équilibre entre les hauts parleurs d'avant et d'arrière entre FAD 12F (plein avant) à FAD 12R (plein arrière). FAD F=R représente un équilibre parfait entre les hauts parleurs d'avant et d'arrière.

④ Menu Système

Appuyez et maintenez l'appui sur le bouton **SEL/MENU** (4) pour voir le menu système. Continuez à appuyer sur le bouton **SEL/MENU** pour accéder aux options menu dans l'ordre suivant : BEEP, ON/OFF, P-VOL (volume mis en marche), CLS ON/OFF, Priorité d'affichage, 12/24H réglage de l'horloge. Utilisez les boutons **+** et **-** du volume (3a ET 3b) pour ajustez les réglages d'options menu.

- BIP Audible (En marche/en arrêt): Sélectionnez ON pour écouter un bip audible chaque fois qu'une fonction est activée.
- P--VOL (00-46): Sélectionnez le volume de mise en marche par défaut désiré.
- CLK (ON/OFF): Sélectionnez ON pour avoir l'horloge apparaître sur l'affichage aux cristaux liquides lorsque la radio est

mise en arrêt. Choisissez OFF pour avoir l'affichage aux cristaux liquides en obscurité lorsque la radio est mise en arrêt.

- Priorité d'affichage (FREQ PRI, CLK PRI, NO PRI): Sélectionnez FREQ PRI pour revenir à l'affichage de fréquence après quelques secondes d'inactivité. Sélectionnez CLD PRI pour revenir automatiquement à l'affichage de l'horloge après quelques secondes d'inactivité. Sélectionnez NO PRI si vous ne voulez pas que l'affichage change automatiquement. Utilisez le bouton **DISP** pour changer votre préférence d'affichage.
- (12/24) HEURES: Sélectionnez 12 ou 24 heures comme mode d'affichage pour l'horloge.

⑤ Contrôle d'Intensité (BAND/LOUD)

Lorsque vous écoutez de la musique à des volumes bas, cette fonction va rehausser les gammes de basse et d'aigu pour compenser les caractéristiques de l'ouïe humaine. *Appuyez et maintenez* sur le bouton **BAND/LOUD** (5) pour activer cette fonction comme indiqué par LOUD ON dans le panneau d'affichage. *Appuyez et maintenez* de nouveau sur le bouton **BAND/LOUD** pour désactiver cette fonction et LOUD OFF va apparaître sur le panneau d'affichage.

INSTRUCTIONS D'OPERATION

5 Sélectionneur de Bande AM/FM

Appuyez sur le bouton **BAND** (5) alors que la radio est en train de jouer pour changer la bande radio. Les indications AM et FM apparaissent sur le panneau d'affichage selon votre sélection.

6 Contrôle de Syntonisation à la Main

Tourner le contrôle de syntonisation à la main (**TUNING**, 6) pour syntoniser vers le haut en fréquence sur la bande utilisée ou contre le sens des aiguilles d'une montre pour syntoniser vers le bas en fréquence. La fréquence syntonisée se montrera en forme digitale dans le panneau d'affichage. Lorsque vous syntonisez une station, ajustez toujours le contrôle pour que la fréquence de transmission correcte soit montrée dans l'affichage et vous recevez un signal clair. Si la radio est syntonisée hors de fréquence, vous pouvez avoir de l'audio déformé, du bruit et d'autres problèmes de réception.

7 Bouton Mode (MODE)

Le bouton **MODE** (7) vous permet de sélectionner entre la radio et la platine CD. Appuyez sur le bouton **MODE**, alors qu'un disque est en train de jouer, pour revenir à l'opération radio.

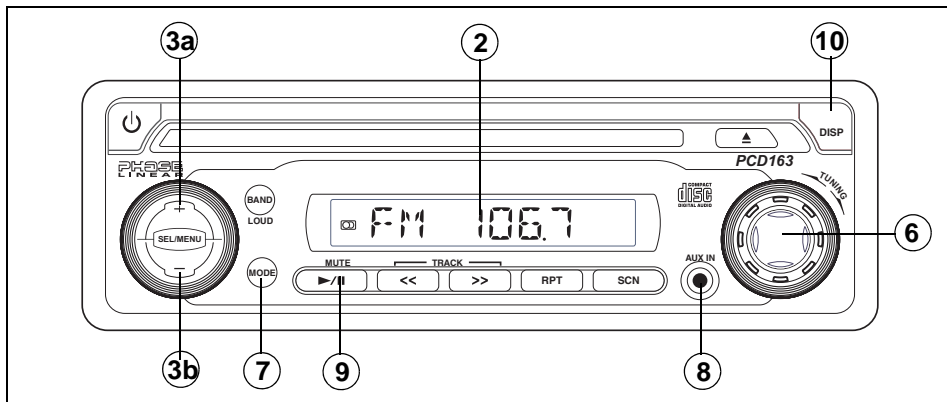
8 Entrée Auxiliaire

Pour accéder à un engin auxiliaire:

1. Branchez la platine audio portable à l'interface **AUX IN** sur le panneau d'avant (8).
2. Appuyez sur le bouton **MODE** (7) pour sélectionner la mode AUX In.
3. Appuyez de nouveau sur **MODE** pour annuler la mode Aux In et aller à la mode prochaine.

9 Audio Muet

Appuyez sur le bouton **MUTE** (▶/||, 9) pour assourdir le volume radio du système. (Si vous appuyez sur ce bouton alors qu'un CD est en train de jouer, la reproduction du CD sera arrêtée). MUTE va apparaître sur le panneau d'affichage et le volume sera assourdi. En appuyant sur le bouton **MUTE** de nouveau, ou sur les boutons volume **+/-** (3a et 3b) ou sur le bouton **SEL/MENU** (4) vous pouvez retourner le niveau de volume au réglage utilisé avant la fonction muet n'ait été activée.



INSTRUCTIONS D'OPERATION

⑩ Sélectionneur d'Affichage (DISP)

Cet appareil peut afficher soit l'heure dans l'horloge ou la fréquence de radio/fonctions de la platine CD. Dependand de vos réglages Menu Système (voir "Menu Système" sur la page 35), la fréquence radio; l'indication de piste platine CD ou l'horloge peuvent être affichés. Appuyez sur le bouton **DISP** (10) pour changer entre Fréquene/Information CD et affichage de l'horloge.

Régler l'Horloge

Pour régler l'horloge, exécutez la procédure suivante :

1. Allumez le commutateur d'allumage et mettez la radio en marche.
2. Appuyez sur le bouton **DISP** (10) jusqu'à ce que l'heure ne commence à clignoter.
3. Dans cinq secondes, utilisez le bouton volume + (3a) pour ajuster les heures.
4. Appuyez sur le bouton volume – (3b) pour ajuster les minutes.

Cinq secondes après le dernier ajustement pour minutes ou heures est fait, l'heure sera réglée dans l'appareil et l'opération normale reprendra.

OPÉRATION DE LA PLATINE CD

11 Fente du Disque

Avec l'étiquette en haut, insérez un disque compact dans la fente (11) jusqu'à ce que le mécanisme s'engage et tire le disque vers l'intérieur. Le symbole du disque (CD) et S-CDP vont apparaître sur le panneau d'affichage. La reproduction commencera à partir de la première piste du disque et le numéro de piste et le temps écoulé de la reproduction de piste vont apparaître sur le panneau d'affichage.

A NOTER : Cet appareil est conçu pour jouer des disques compacts de taille standardisée 5" (12cms). N'essayez pas d'utiliser des disques de taille 3" (8cms), avec ou sans adaptateur, comme cela peut nuire à la platine ou au disque. De tels dégâts ne seront pas couverts par le garanti sur ce produit.

9 Sélectionneur de Reproduction CD/Faire Pause

Appuyez sur le bouton reproduction/faire pause ►/II (9), alors que le disque est en train de jouer, pour faire pause dans la reproduction du disque. Lorsque le disque fait pause, S-PAUSE va apparaître sur le panneau d'affichage, le symbole du disque (CD) commence à clignoter et la reproduction est suspendue. Lorsque vous appuyez sur ce bouton de nouveau, la reproduction reprend à partir du moment où la reproduction.

12 Sélectionneur de Piste Avant

Le bouton **TRACK** >> avant (12) est utilisé, alors qu'un disque est en train de jouer, pour sélectionner rapidement le début d'une piste particulière dans le sens avant. Avec chaque appui du bouton, le numéro de piste prochain supérieur sera sélectionné comme montré dans le panneau d'affichage.

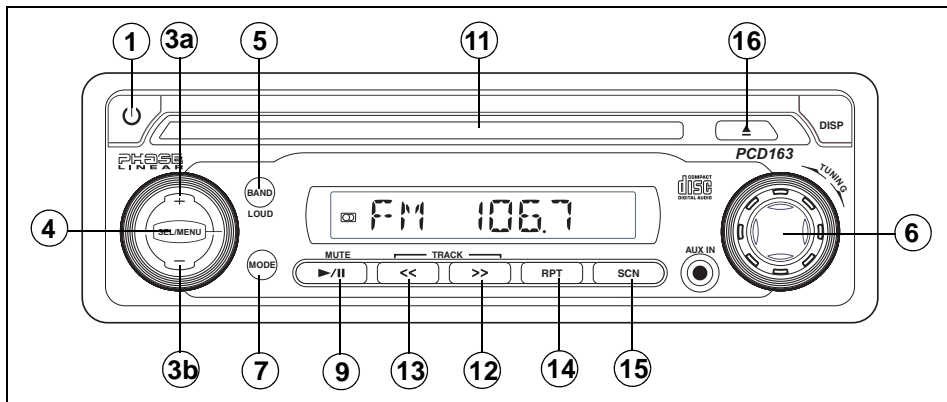
13 Sélectionneur de Piste Arrière

Le bouton **TRACK** << arrière (13) est utilisé, alors qu'un disque est en train de jouer, pour sélectionner rapidement le début d'une piste

particulière dans le sens arrière. Avec chaque appui du bouton, le numéro de piste prochain inférieur sera sélectionné comme montré dans le panneau d'affichage.

12, 13 Fonctions Repère/Revue

Vous pouvez lancer une recherche à grande vitesse dans n'importe quelle section du disque en utilisant les fonctions repère/revue. Appuyez sur le bouton **TRACK** >> en avant (12) pour avancer rapidement ou le bouton **TRACK** << en arrière (13) pour reculer rapidement.



OPÉRATION DE LA PLATINE CD

⑭ Sélectionneur de répétition (RPT)

Appuyez sur le bouton **RPT** (14) alors qu'un disque est en train de jouer pour répéter la reproduction d'une piste désirée. (S -- RPT apparaît sur le panneau d'affichage avec le numéro de piste courant). La reproduction de la piste désirée va continuer à se répéter jusqu'à ce que la fonction répétition ne soit annulée en appuyant sur le bouton de nouveau, ou en activant la fonction intro-balayage. L'indication S -- RPT disparaîtra.

⑮ Sélectionneur de Balayage Piste (SCN)

Appuyez sur le bouton **SCN** (15), alors qu'un disque est en train de jouer, pour jouer les dix premières secondes de chaque piste. (S -- SCN sera affiché avec le numéro de piste). Lorsqu'une piste désirée est atteinte, appuyez de nouveau sur le bouton **SCN** pour annuler la fonction et jouer la piste sélectionnée. La mode balayage de piste peut aussi être annulé en activant la fonction Répétition (14).

⑯ Bouton d'éjection du Disque

Appuyez sur le bouton d'éjection ▲ (16) pour arrêter la reproduction du disque et l'éjecter. L'appareil va revenir à l'opération radio. Vous pouvez éjecter des disque avec le commutateur d'allumage allumé ou éteint. Si un disque éjecté n'est pas enlevé 10 secondes après l'éjection, le disque sera automatiquement inséré et le symbole du disque (🌀) apparaîtra sur le panneau d'affichage pour indiquer qu'un disque est toujours chargé dans l'appareil.

A NOTER : Pour empêcher qu'un disque soit accidentellement endommagé, enlevez toujours le disque de l'appareil lorsque la reproduction du disque est terminé.

SOIN ET ENTRETIEN

Votre nouvelle platine CD/radio n'a pas besoin d'être entretenu. Cependant, une compréhension correcte de son utilisation et manipulation vous aidera à obtenir une jouissance maximum de ses capacités. Nous recommandons que vous gardez ce guide comme référence pour les fonctions multiples de cet appareil, aussi bien que pour régler l'horloge. Gardez les points suivants à l'esprit :

- Lorsque vous nettoyez le véhicule, ne versez pas d'eau ou de détergents liquides sur l'appareil.
- La platine CD est un instrument de précision et ne fonctionnera pas dans des froids ou des chaleurs extrêmes. Si de telles conditions prévalent, attendez que la température à l'intérieur du véhicule redevienne normale avant de jouer.
- Si la température à l'intérieur de la platine devient trop chaud, un circuit de protection va automatiquement arrêter le jeu. Dans ce cas, permettez à l'appareil de se refroidir avant de l'utiliser.
- N'insérez jamais rien d'autre qu'un disque compact de 5" (12cm) dans la platine comme ce mécanisme peut souffrir des dégâts à cause des objets étrangers.
- N'essayez jamais d'utiliser des disques compacts de 3" (8cm) dans cet appareil, avec ou sans adaptateur, comme cela peut nuire à la platine ou au disque. De tels dégâts ne seront pas couverts par le garanti sur ce produit.

- Enlevez toujours le disque compact, si vous n'utilisez pas la platine. Ne laissez jamais un disque compact dans la fente à disque comme cela peut l'exposer aux rayons du soleil et autres facteurs qui peuvent nuire.
- N'essayez pas d'ouvrir le châssis de l'appareil. Il n'y a pas de pièces qui sont susceptibles à être dépanné par l'utilisateur ou des points d'ajustement à l'intérieur.
- Lorsque le véhicule se réchauffe pendant la saison froide ou dans des conditions humides, de la condensation peut apparaître sur les lentilles de la platine. Si cela arrive, la platine ne fonctionnera pas jusqu'à ce que l'humidité ait évaporé.
- L'appareil est conçu avec un mécanisme d'amenuisement de vibrations pour minimiser l'interruption du jeu du disque à cause de la vibration normale d'un véhicule en mouvement. Lorsque vous conduisez sur les surfaces rugueuse, des sauts de son peuvent arriver. Cela ne nuira pas au disque et le jeu normal reprendra lorsque les conditions rugueuses disparaissent.

Manipulation des Disques Compacts

De la poussière, des saletés, des égratignures et des torsions, peuvent produire des sauts dans la reproduction et une détérioration dans la qualité du son. Suivez ces conseils pour entretenir vos disques compacts :

- Essayez des empreintes digitales, de la poussière et des saletés déposées sur la surface du disque avec un torchon doux. Essayez dans un mouvement droit à partir du centre du disque jusqu'au bord.
- N'utilisez jamais des produits chimiques tels que des vaporisateurs pour disque ou des détergents domestiques pour nettoyer vos disques compacts. Ces produits peuvent irrémédiablement nuire à vos disques.
- Gardez les disques dans leur boîte de stockage lorsque vous ne les écoutez pas.
- N'exposez pas les disques aux rayons de soleil directs, à des températures très chaudes ou à l'humidité pendant de longues périodes.
- Ne collez pas de papier, de la bande adhésive ou des étiquettes sur la surface du disque.

BOUTON DE REMISE À L'ÉTAT INITIAL

Un bouton de remise à l'état initial est situé derrière la dalle à gauche (il faut enlever le panneau d'avant pour accéder à ce bouton). La fonction remise à l'état initial est fournie pour protéger la circuiterie du microprocesseur, et ne doit être activé que dans des circonstances suivantes, comme il effacera l'heure et les mise en mémoires pré-réglées : Après l'installation dès que tout le câblage est terminé; S'il y a un mauvais fonctionnement de l'un des interrupteurs de l'appareil, vous pouvez appuyer sur le bouton de remise à l'état initial pour nettoyer le système et revenir à l'opération normale.

SPECIFICATIONS

Capacité CD-R et CD-RW

Dépendant du type de média et des méthodes d'enregistrement quelques CD-R/RW peuvent être incompatible avec cet appareil. **La séance doit être close après l'enregistrement.**

Référez-vous aux procédures recommandées de votre logiciel pour clore un disque/séance. Revoyez votre logiciel d'enregistrement afin de vous familiariser avec les procédures d'enregistrement correctes. Nous recommandons les dernières versions de logiciel d'enregistrement ROXIO™ et NERO™.

En outre, cet appareil ne reconnaîtra le format CDDA (Compact Disc Digital Audio) enregistré sur un CDR/RW. Cet appareil n'est pas compatible avec les formats MP 3, WMA, WAV, OGG ou autre. Le format CDDA est le format standard d'un CD " acheté dans une boutique ". Lorsque vous enregistrez un CDR/RW assurez vous que le format CDDA est sélectionné.

Spécifications Techniques



Indices de Puissance CEA

Sortie puissance : 3 watts RMS x 4 chaînes multiplié par 4 ohms @ < 1% THD + N
Rapport signalment au bruit : 70dBA sous référence (Référence : 1 watt, 4ohms)
Réponse fréquence : 20Hz à 20kHz, -3dB
Référence d'alimentation voltage : 14.4 VDC

Platine CD

Rapport signalment au bruit : >85dBA
Réponse fréquence : 20Hz à 18kHz, -3dBA
Séparation des chaînes : >55dB @ 1kHz
Convertisseur D/A : 1bit/Ch

Tuner FM

Gamme de syntonisation : 87.5 MHz à 107.9 MHz
Sensibilité mono : 18dB

Sensibilité d'assourdissement stéréo 50dB : 20dBf

Séparation stéréo @ 1kHz : >30dB

Réponse fréquence : 30Hz à 12kHz, -3dB

Tuner AM

Gamme de syntonisation : 530kHz à 1710kHz

Sensibilité @ 20dB signalment au bruit: 30 uV

Réponse fréquence : 30Hz à 2kHz, -3dB

Général

Alimentation : 11 à 16 VDC, terre négative

Fusibles : Pile -5amp/AGC, Allumage/

Accessoire -0.5amp/AGC

4+9 pin harnais à connexion rapide

Dimensions : 7" x 7" x 2" (178mm x 178mm x 51mm)

Les spécifications peuvent changer sans avis préalable.

Limited Warranty

CD or Multimedia Radios/Headunits

DO NOT RETURN THIS PRODUCT TO THE STORE

Audiovox Electronics Corporation ("the Company") is committed to quality and customer service, and are pleased to offer you this Warranty. Please read it thoroughly and contact the Company at 1-800-323-4815 with any questions.

Who is covered?

The Company extends this warranty to the original retail purchaser of products purchased through an authorized Audiovox retailer in the U.S.A., Puerto Rico or Canada. This warranty is not transferable or assignable. Proof of purchase is required in the form of an original sales receipt.

What is covered?

The Company warrants that should this product or any part thereof, under normal use, be proven defective in material or workmanship within 90 days from the date of original purchase, such defect(s) will be repaired or replaced with a new or reconditioned product (at the Company's option) without charge for parts and repair labor.

What is not covered?

This Warranty does not cover the following:

- Damage incurred during shipping or transporting the product to the Company or a service center
- Elimination of car static or motor noise
- Defects in cosmetic, decorative or non-operative structural parts
- Correction of antenna problems
- Costs incurred for installation, removal or reinstallation of the product
- Consequential damage to compact discs, USB devices, digital media cards, accessories or vehicle electrical systems
- Damage caused by improper installation, mishandling, misuse, neglect, accident, blown fuse, battery leakage, theft or improper storage
- Products whose factory serial number/bar code label(s) or markings have been removed or defaced
- Damage resulting from moisture, humidity, excessive temperature, extreme environmental conditions or external natural causes

Please review the "Care and Maintenance" section of your Installation and Operation Manual for additional information regarding the proper use of your product.

Limitations

THE EXTENT OF THE COMPANY'S LIABILITY UNDER THIS WARRANTY IS LIMITED TO THE REPAIR OR REPLACEMENT PROVIDED ABOVE AND, IN NO EVENT, SHALL THE COMPANY'S LIABILITY EXCEED THE PURCHASE PRICE PAID BY PURCHASER FOR THE PRODUCT.

This Warranty is in lieu of all other express warranties or liabilities. ANY IMPLIED WARRANTIES, INCLUDING ANY IMPLIED WARRANTY OF MERCHANTABILITY, SHALL BE LIMITED TO THE DURATION OF THIS WRITTEN WARRANTY. ANY ACTION FOR BREACH OF ANY WARRANTY HEREUNDER INCLUDING ANY IMPLIED WARRANTY OF MERCHANTABILITY MUST BE BROUGHT WITHIN A PERIOD OF 24 MONTHS FROM DATE OF ORIGINAL PURCHASE. IN NO CASE SHALL THE COMPANY BE LIABLE FOR ANY CONSEQUENTIAL OR INCIDENTAL DAMAGES FOR BREACH OF THIS OR ANY OTHER WARRANTY, EXPRESS OR IMPLIED, WHATSOEVER. No person or representative is authorized to assume for the Company any liability other than expressed herein in connection with the sale of this product.

Some states do not allow limitations on how long an implied warranty lasts or the exclusion or limitation of incidental or consequential damage so the above limitations or exclusions may not apply to you. This Warranty gives you specific legal rights and you may also have other rights which vary from state to state.

Obtaining Warranty Service

- To obtain repair or replacement within the terms of this Warranty, call 1-800-323-4815 for the location of a warranty station serving your area.
- You must prepay the initial shipping charges to the Company. The Company will pay the return shipping charges for all warranted products returned to an address within the U.S.A., Puerto Rico or Canada.
- Please package the product securely to avoid shipping damage. We recommend using a carrier that provides tracking service to prevent lost packages. Lost or damaged packages are not covered by this warranty.
- Provide a detailed description of the problem(s) for which you require service.

Garantía Limitada

Radios del CD o de los Multimedia

NO RETORNE ESTE PRODUCTO A LA TIENDA

Audiovox Electronics Corporation ("la Compañía) es una corporación comprometida con la calidad y el servicio al cliente, y se complace en ofrecerle esta Garantía. Por favor, léala completamente y contacte a la Compañía al 1-800-323-4815 por cualquier duda.

¿Quién está cubierto?

La Compañía extiende esta garantía al comprador minorista original de los productos comprados a un distribuidor Audiovox autorizado en USA, Puerto Rico o Canadá. Esta garantía no es transferible o asignable. Se requiere prueba de compra en forma de recibo de venta original.

¿Qué está cubierto?

La Compañía garantiza que si este producto o cualquier parte del mismo, bajo uso normal, se prueba que tiene defectos en materiales o mano de obra dentro de los 90 días desde la fecha de compra original, dichos defectos serán reparados o reemplazados con un producto nuevo o reacondicionado (a opción de la Compañía) sin costos por repuestos o por labor de reparación.

¿Qué no está cubierto?

Esta Garantía *no cubre* lo siguiente:

- Daños ocurridos durante el envío o transporte del producto a la Compañía o al centro de servicio
- Eliminación de estática o ruido de motor
- Defectos en cosmética, partes estructurales decorativas o no operativas
- Corrección de problemas de antena
- Costos incurridos por instalación, retiro o reinstalación del producto
- Daños consecuentes a discos compactos, dispositivos USB, tarjetas multimedia digitales, accesorios o sistemas eléctricos del vehículo
- Daños causados por instalación inadecuada, mal manejo o uso, negligencia, accidentes, fusibles quemados, goteras en la batería, robo o almacenamiento inadecuado.
- Productos cuyo número de serie o código de barra de fábrica o sus marcas hayan sido quitados o borrados
- Daños resultantes de la humedad, temperatura excesiva, condiciones medioambientales extremas o causas naturales externas

Por favor, revea la sección "Cuidados y Mantenimiento" de su Manual de Instalación y Operación para obtener información adicional relacionada al uso adecuado de su producto.

Limitaciones

LA EXTENSIÓN DE LA RESPONSABILIDAD DE LA COMPAÑÍA BAJO ESTA GARANTÍA SE LIMITA A LA REPARACIÓN O REEMPLAZO PROVISTO ARRIBA Y, EN NINGÚN CASO, EXCEDERÁ LA RESPONSABILIDAD DE LA COMPAÑÍA EL PRECIO DE COMPRA PAGADO POR EL COMPRADOR DEL PRODUCTO.

Esta Garantía está en lugar de todas las otras garantías o responsabilidades. CUALQUIER GARANTÍAS IMPLICADAS, INCLUYENDO CUALQUIER GARANTÍA IMPLICADA DE MERCANTIBILIDAD, SERÁ LIMITADA A LA DURACIÓN DE ESTA GARANTÍA ESCRITA. CUALQUIER ACCIÓN POR INCUMPLIMIENTO DE CUALQUIER GARANTÍA AQUÍ ESPECIFICADA INCLUIDA CUALQUIER GARANTÍA IMPLÍCITA DE MERCANTIBILIDAD DEBE SER LLEVADA A CABO DENTRO DE UN PERÍODO DE 24 MESES DESDE LA FECHA DE COMPRA ORIGINAL. EN NINGÚN CASO LA COMPAÑÍA SERÁ RESPONSABLE POR NINGÚN DAÑO CONSECUENTE O INCIDENTAL POR INCUMPLIMIENTO DE ESTA O CUALQUIER OTRA GARANTÍA, EXPRESA O IMPLICADA, DE NINGUNA FORMA. No se autoriza a ninguna persona o representante a asumir por parte de la Compañía ninguna responsabilidad diferente a la aquí expresada en conexión con la venta de este producto.

Algunos estados no permiten limitaciones sobre el tiempo de duración de una garantía implicada o de la exclusión o limitación de daños incidentales o consecuentes, entonces las limitaciones y exclusiones antes mencionadas pueden no aplicarle a usted. Esta Garantía le da derechos legales específicos y usted también puede tener otros derechos que pueden variar de estado en estado.

Obteniendo el Servicio de Garantía

- Para obtener reparación o reemplazo dentro de los términos de esta Garantía, llame al 1-800-323-4815 por la ubicación de un servicio de garantía en su área.
- Usted debe pagar previamente los costos de envío inicial a la Compañía. La Compañía pagará los costos de envío de retorno de todos los productos en garantía enviados a direcciones dentro de USA, Puerto Rico o Canadá.
- Por favor empaquete el producto de forma segura para evitar daños en el transporte. Recomendamos usar una empresa de transporte que provea servicio de rastreo para prevenir la pérdida de paquetes. Paquetes perdidos o dañados no están cubiertos por esta garantía.
- Provea una descripción detallada del problema o problemas por los cuales usted requiere servicio.

Garantie Limitée

Rádios CD ou Multimédia / Unités principales

NE RENVOYEZ PAS CE PRODUIT AU MAGASIN

Audiovox Electronics Corporation (la Société) s'engage à la qualité et au service des clients, et est content de vous offrir cette garantie. Nous vous prions de lire attentivement et prendre contact avec la Société au 1-800-323-4815 avec des questions.

Qui est couvert ?

La Société étend cette garantie à l'acheteur d'origine en détail des produits achetés à un détaillant autorisé d'Audiovox aux Etats-Unis, Puerto Rico ou Canada. Cette garantie ne peut pas être transférée ni aliénée. Preuve d'achat est exigé sous forme du récépissé de vente d'origine.

Ce qui est couvert ?

La Société garantit que si ce produit ou une partie de ce produit, sous l'utilisation normale par l'acheteur d'origine, dans des conditions normales, s'avère défectueux en matériel ou en artisanat, dans 90 jours depuis la date d'achat d'origine, de tels défauts seront réparés ou remplacés avec un nouveau produit ou un produit reconditionné (à la seule discrétion de la société) sans frais pour les pièces de rechange ou le travail réparateur.

Ce qui n'est pas couvert ?

Cette garantie *ne* couvre pas le suivant :

- Des dommages survenus lors de la transportation de ce produit à la Société ou à un centre d'entretien.
- Elimination des parasites de voiture ou le bruit du moteur
- Des défauts dans des parties cosmétiques, décoratives ou structurelles non-opératives
- Rectification des problèmes d'antenne
- Le coût de l'installation, de l'enlèvement ou de la réinstallation du produit
- Dommages indirects aux disques compacts, des engins USB, des cartes de média digitales, des accessoires ou le système électrique du véhicule
- Des dégâts survenus à cause de la manipulation mauvaise, l'installation incorrecte, mauvaise utilisation, négligence, des accidents, des fusibles sautés, fuite de la pile, du vol et du stockage incorrect
- Produits soumis à l'enlèvement ou la dégradation du numéro de série d'usine/étiquettes de code à barres ou des marquages.
- Des dégâts survenus à cause de la moisissure, l'humidité, des températures excessives, des conditions environnementales extrêmes ou des causes naturelles externes

Veillez voir la section Soins et Entretien de votre Guide d'Opération, pour avoir des informations supplémentaires quant à la bonne utilisation de votre produit.

Limitations

LA MESURE DE LA RESPONSABILITE DE LA SOCIETE SOUS CETTE GARANTIE EST LIMITEE A LA REPARATION OU REMPLACEMENT MENTIONNES CI-DESSUS ET DANS AUCUN CAS LA RESPONSABILITE DE LA SOCIETE N'EXCEDERA LE PRIX D'ACHAT PAYE PAR L'ACHETEUR POUR CE PRODUIT.

Cette garantie tient lieu de toute autre garantie ou responsabilité expresses. TOUTE GARANTIE IMPLIQUEE, Y COMPRIS UNE GARANTIE IMPLIQUEE DE MARCHANDABILITE, SERA LIMITEE A LA DUREE DE CETTE GARANTIE ECRITE. TOUTE ACTION POUR RUPTURE D'UNE GARANTIE QUELCONQUE SOUS LA PRESENTE, Y COMPRIS TOUTE GARANTIE IMPLIQUEE DE MARCHANDABILITE DOIT ETRE PORTEE DANS UNE PERIODE DE 24 MOIS DEPUIS LA DATE D'ACHAT D'ORIGINE. EN AUCUN CAS LA SOCIETE NE SERA RESPONSABLE POUR TOUT DOMMAGE INDIRECT OU ACCESSOIRE POUR RUPTURE DE CETTE GARANTIE OU TOUTE AUTRE GARANTIE, EXPRESSE OU IMPLIQUEE. Aucune personne ni un représentant n'est autorisée d'assumer de la part de la société une responsabilité autre que celle exprimée ici relatif à la vente de ce produit.

Certains états ne permettent pas de limitations sur la durée d'une garantie impliquée ou sur l'exclusion ou la limitation des dommages indirects et accessoires, tels que les informations ci-dessus ne s'appliquent pas à vous. Cette garantie vous donne des droits légaux spécifiques et vous pouvez aussi jouir d'autres droits qui varient d'état à l'état.

Obtenir le service de garantie

- Pour obtenir la réparation ou le remplacement dans les termes de cette garantie, appelez 1-800-323-4815 pour avoir l'emplacement d'une station de garantie qui dessert votre région.
- Si le produit est envoyé pour un service de garantie vous devez payer les frais de transportation de départ. La Société payera la transportation de retour pour tout produit sous garantie si le produit est retourné à une adresse située aux Etats-Unis, Puerto Rico ou Canada.
- Assurez-vous que le produit soit bien emballé pour éviter des accidents pendant la transportation. Nous recommandons un transporteur qui fournit un service de dépiquage pour éviter la perte des paquets. Des paquets perdus ou endommagés ne sont pas couverts par cette garantie.
- Fournissez une description détaillée des problèmes que vous voulez faire résoudre par le service de garantie.

PHASE LINEAR

Audiovox Electronics Corporation
150 Marcus Boulevard
Hauppauge, NY 11788
1-800-323-4815
www.audiovox.com

©2007 Audiovox
v.070107

Free Manuals Download Website

<http://myh66.com>

<http://usermanuals.us>

<http://www.somanuals.com>

<http://www.4manuals.cc>

<http://www.manual-lib.com>

<http://www.404manual.com>

<http://www.luxmanual.com>

<http://aubethermostatmanual.com>

Golf course search by state

<http://golfingnear.com>

Email search by domain

<http://emailbydomain.com>

Auto manuals search

<http://auto.somanuals.com>

TV manuals search

<http://tv.somanuals.com>