



Division of Audiovox Corporation
185 Oser Ave., Hauppauge, NY 11788

A faded version of the Audiovox Cellular Communications logo is visible in the upper right corner of the page.

AUDIOVOX
Cellular Communications

MVX-550

**HANDHELD
PORTABLE
CELLULAR
TELEPHONE**

**OWNER'S OPERATING
INSTRUCTIONS**

TABLE OF CONTENTS

SYSTEM CONFIGURATION	6
WRIST STRAP ATTACHMENT	7
BATTERY INSTALLATION AND RECHARGING	8
To Attach the Battery Pack	
To Detach the Battery Pack	
To Recharge Battery	
IMPORTANT SAFETY INSTRUCTIONS	11
PRECAUTIONS	12
GENERAL SPECIFICATIONS	13
FEATURES AND OPTIONS	14
FUNCTIONS	15
BASIC OPERATION	17
Turning the Unit On/Off	
• Antenna Position	
• Receiving Signal Strength Indicator	
• Battery Level Indicator	
To Store a Number in Memory	
To Recall a Number from Memory	
To Review the Prefix	
Display Own Telephone Number	
Repertory Memory Scroll	
Automatic Storing into a Vacant Memory Address	
Secret Memory	
To Lock the Unit	
Automatic Lock (NAM Option)	
To Unlock the Unit	
Backlighting On/Off Control	
Volume Control	
MEMORY NAME TAG	22
To Enter Names using Alpha (Letters)	
To Store Name with Phone Number	
To Recall from Memory with Name	

ALPHA SEARCH	24	CALL TIME DISPLAY	34
PLACING TELEPHONE CALLS	25	To Display the Talk Time of the Last Call	
To Place a Call		To Display the Cumulative Talk Time	
If the Call Fails to Go Through		To Display the Number of Calls	
Automatic Redial (NAM Option)		Outgoing Call Timer Only (NAM Option)	
Terminating a Call		To Clear the Timer	
To Receive Calls		One Minute Beep (NAM Option)	
Silent Incoming Calls		SID MANAGEMENT (NAM OPTION).....	35
Silent Alert Beep (NAM Option)		A/B SYSTEM SELECTION	35
Any Digit Key Answering (NAM Option)		MULTIPLE CITY REGISTRATION	36
Automatic Answering		LAST RESCAN SID INDICATOR	37
To Place a Call with a Number in the Memory		RADIO FREQUENCY (RF)	
Speed Dialing		CHANNEL INDICATOR	37
Last Three Number Redial		AUTOMATIC CALLS IN ABSENCE	
Programmable Emergency Call (NAM Option)		INDICATOR	37
To Mute a Phone Conversation		SERIAL DATA MODE	38
ONE TOUCH DIALING.....	29	FUNCTION REVIEW	38
To Store a Number into One Touch Memory		IMPORTANT SAFETY INFORMATION	39
To Place a Call to a Number in One Touch Memory		WARNING	39
VOICE MAIL DIALING.....	29		
To Store a Numbers			
To Place a Call			
CALL RESTRICTION (NAM OPTION)	30		
To Set Call Restricted Mode			
To Exit Call Restriction Programming Mode			
END-TO-END SIGNALING	31		
Touch Tone™ from Memory			
Link Dialing			
SCRATCH-PAD DIALING	33		
SCRATCH-PAD DIALING			
WITHOUT KEYING TONES	33		

Touch Tone™ is a registered trade mark of AT & T.

AUDIOVOX "MINIVOX II" HANDHELD PORTABLE CELLULAR TELEPHONE

Audiovox introduces the Minivox II, one of the most advanced handheld portable cellular telephones in the world. Your new Minivox II allows you the freedom to enjoy the benefits of cellular communications without the limitations.

Your new Minivox II has been built to the same exacting level of high engineering standards that has made the Audiovox cellular telephone line the top rated brand in the industry.

The Minivox II is packed with advanced features that provide the ultimate in convenience and safety, like one touch dialing, programmable emergency calling and a battery life indicator.

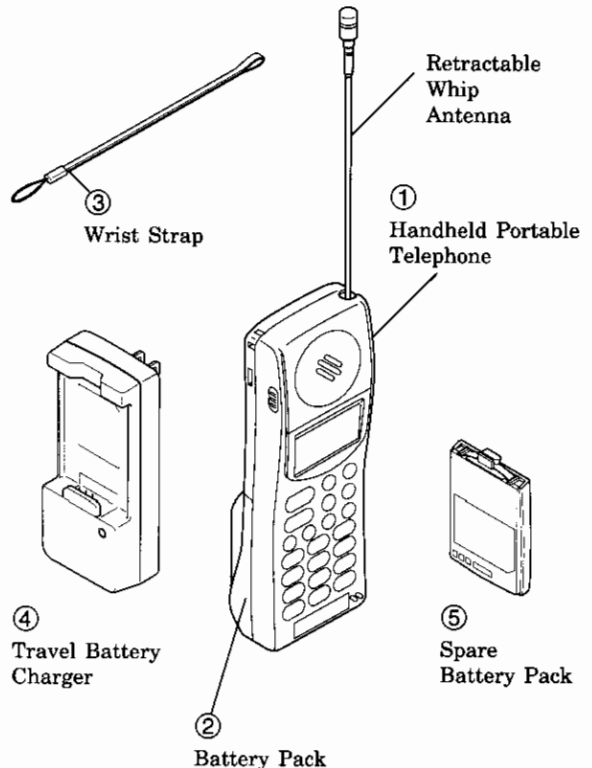
The Minivox II also features "Any Digit Key Answer" that allows you to answer a call by pressing any of the numbered keys on the keypad. It also has the ability to redial any of the last three numbers you attempted to call!

Optional accessories include a desk top charger, rapid charger, a hands free car kit with an RJ11 output (for interface with a laptop computer or facsimile machines) and provisions for external antenna and power booster. A cigarette lighter adaptor and leather carrying case are also available.

And of course, your new Minivox II comes with something only an Audiovox phone can provide. The proven reliability that has made Audiovox one of the worlds leading suppliers of cellular communications equipment.

SYSTEM CONFIGURATION

System configuration and the equipment list are as shown below.



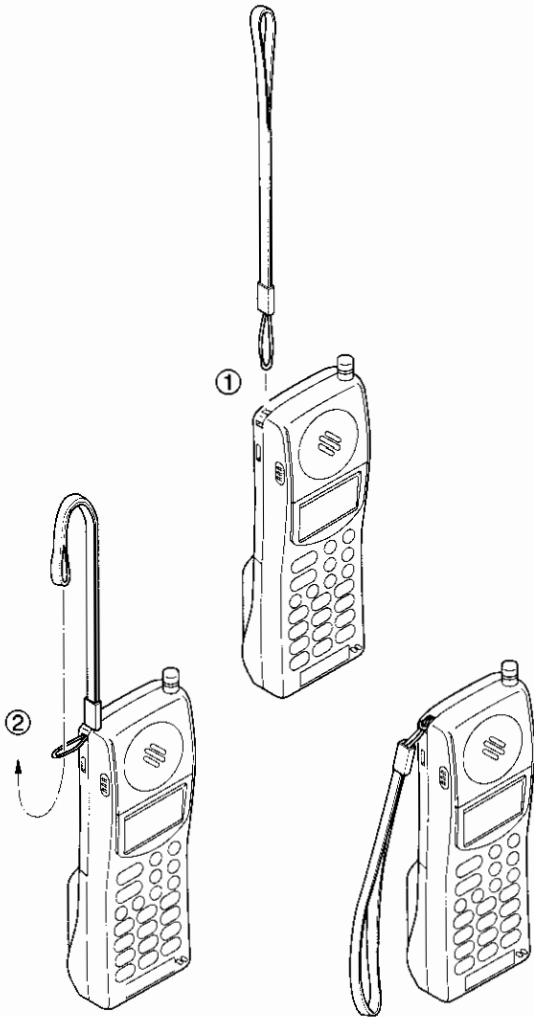
List of Equipment

No.	Name of the Equipment
①	Handheld Portable Telephone
②	Battery Pack (BTE-700)
③	Wrist Strap (WS-700)
④	Travel Battery Charger (TRC-700A)
⑤	Spare Battery Pack (BTR-700)

WRIST STRAP ATTACHMENT

Attach the wrist strap to the unit through the strap hole as shown below ①.

Then put the long loop through the smaller loop as shown below ②.



BATTERY INSTALLATION AND RECHARGING

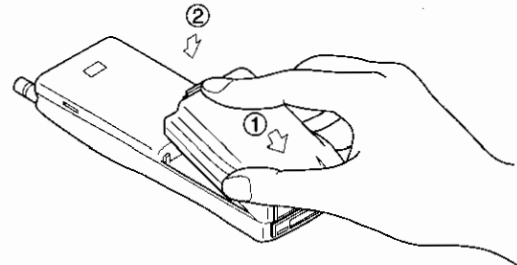
The Portable Telephone contains a Detachable Battery Pack (BTR-700/BTE-700). Fully charged Battery Pack offers approximately 60 minutes Talk Time or 12 hours standby for BTR-700, and approximately 100 minutes Talk Time or 20 hours standby for BTE-700.

It is recommended to carry one fully charged spare Battery Pack for longer operation.

(Additional Battery Packs may be purchased at your Cellular Telephone Dealer.)

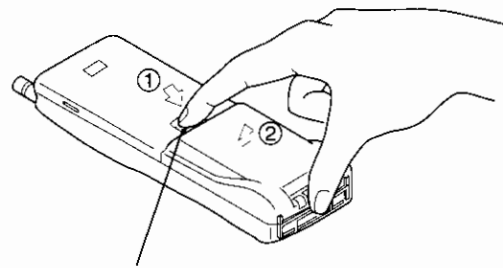
To Attach the Battery Pack

- ① Insert the hook at the end of the Battery Pack into the slot at the end of the unit.
- ② Press the Battery Pack down to lock the Battery Pack onto the unit.



To Detach the Battery Pack

- ① Press the Release Latch as shown below.
- ② Lift up to remove the Battery Pack from the unit gently.



Release Latch

To Recharge Battery

The Travel Battery Charger (TRC-700A) can recharge the Standard Battery (BTE-700) at 10 hours or an optional Slim Battery (BTR-700) at 6 hours respectively.

1. Set the Battery Pack

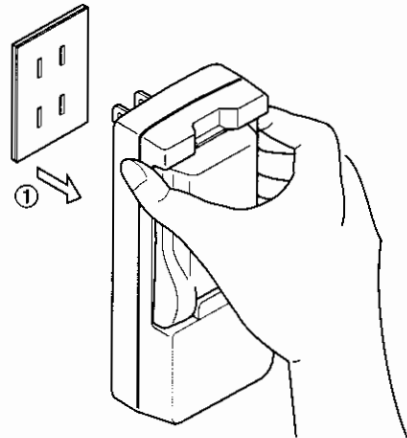
- ① Holding the Travel Battery Charger in your hand, insert the Battery Pack into the Travel Battery Charger.
- ② Press the Battery Pack down to lock the Battery Pack onto the Travel Battery Charger.

2. Flip up the blades on the back side of the Travel Battery Charger and plug into AC outlet. The LED (Light Emitting Diode) on the Travel Battery Charger will light red while recharging.

- Note: (1) Environmental temperature for full battery recharging with fixed time: 0 ~ +35°C
- (2) We recommend you to set the Battery Pack in to the Travel Battery Charger and plug into AC outlet as shown below.

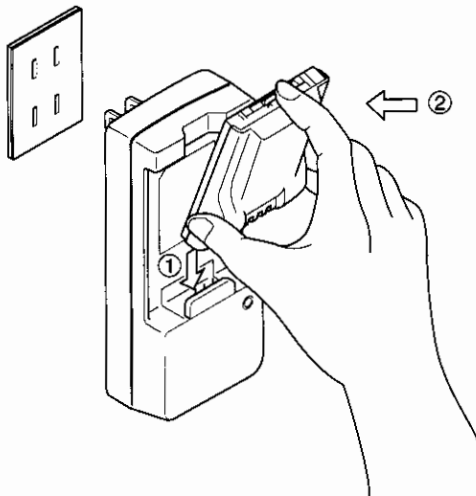
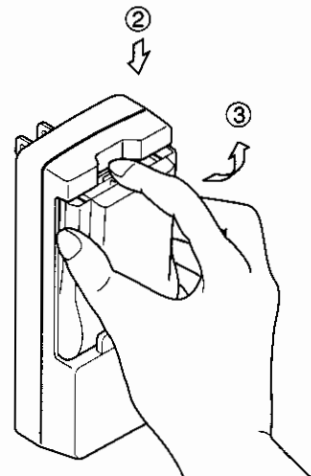
3. After recharging has been finished, unplug from AC outlet and take off the Battery Pack so as not to reduce the life and capacity of the Battery Pack.

- ① Unplug from AC outlet by holding the top of Travel Battery Charger as shown below.



- ② Holding the Travel Battery Charger with your hand, and then press the Release Latch as shown below.

- ③ Lift up to remove the Battery Pack from the Travel Battery Charger gently.



IMPORTANT SAFETY INSTRUCTIONS

for Travel Battery Charger

1. **SAVE THESE INSTRUCTIONS** – This manual contains important safety and operating instructions for battery charger.
2. Before using battery charger, read all instructions and cautionary markings on (1) battery charger, (2) battery, and (3) product using battery.
3. **CAUTION** – To reduce risk of injury, charge only Ni-MH type rechargeable batteries. Other types of batteries may burst causing personal injury and damage.
4. Do not expose charger to rain or snow.
5. Use of an attachment not recommended or sold by the battery charger manufacturer may result in a risk of fire, electric shock, or injury to persons.
6. An extension cord should not be used unless absolutely necessary. Use of improper extension cord could result in a risk of fire and electric shock. If extension cord must be used, make sure:
 - a. That pins of plug of extension cord are the same number, size, and shape as those of plug on charger;
 - b. That extension cord is properly wired and in good electrical condition; and
 - c. That wire size is large enough for AC ampere rating of charge.
7. Do not operate charger with damaged plug – replace charger immediately.
8. Do not operate charger if it has received a sharp blow, been dropped, or otherwise damaged in any way; take it to an authorized Audiovox cellular service center.
9. Do not disassemble charger; take it to an authorized Audiovox cellular service center when service or repair is required. Incorrect reassembly may result in a risk of electric shock or fire.
10. To reduce risk of electric shock, unplug charger from outlet before attempting any maintenance or cleaning.

PRECAUTIONS

Your Handheld Portable Telephone is a high quality piece of equipment. Before operating the equipment, please take the following precautions.

1. Don't use this equipment in an extreme environment where high temperature or high humidity exists.
2. Don't abuse the equipment. Avoid striking, shaking or shocking. When not using the unit, lay down the unit to avoid possible damage due to instability.
3. Don't expose this equipment to rain or spilled beverages.
4. Recharge the battery fully before your first use of the unit.
5. When the battery becomes discharged, two beep tones will be heard every 10 seconds, and the display will show **Discharged**. Replace the discharged battery with a fully charged one, and recharge the discharged battery.
6. To ensure long battery life, operate the unit until **Discharged** is displayed, then recharging the battery. Remove Battery Pack from the unit when it is not expected to be used for a long period.

Recharging at least once every month is recommended when not being used.
7. Don't charge the Battery in a place in the sunshine.



The product that you have purchased contains a rechargeable Battery. The Battery is recyclable. At the end of its useful life, under various state and local laws, it may be illegal to dispose of this Battery into the municipal waste stream. Check with your local solid waste officials for details in your area for recycling options or proper disposal.

GENERAL SPECIFICATIONS

(Subject to change without notice)

Frequency Range : 824 to 849 MHz, Transmit
869 to 894 MHz, Receive

Number of RF Channels : 832, Full Duplex

Channel Spacing : 30 KHz

Duplex Spacing : 45 MHz

Frequency Stability : ± 2.5 PPM

RF Output Power : 0.6W ERP With Power
Control

Receiver Sensitivity : -116 dBm (12 dB SINAD)

Modulation/Demodulation : Voice PM (With Compander)
Data FM

Operating Temperature : -20°C to $+60^{\circ}\text{C}$

Supply Voltage : 4.8 V
(NiMH Battery 1.2 V x 4,
1100 mAH)

Current Drain : In Use;
Approx. 540 mA
Standby;
Approx. 50 mA

Operating Time : BTR-700
Talk; Approx 60 min.
(at full power output)
Standby; Approx. 12 hours
BTE-700
Talk; Approx. 100 min.
(at full power output)
Standby; Approx. 20 hours

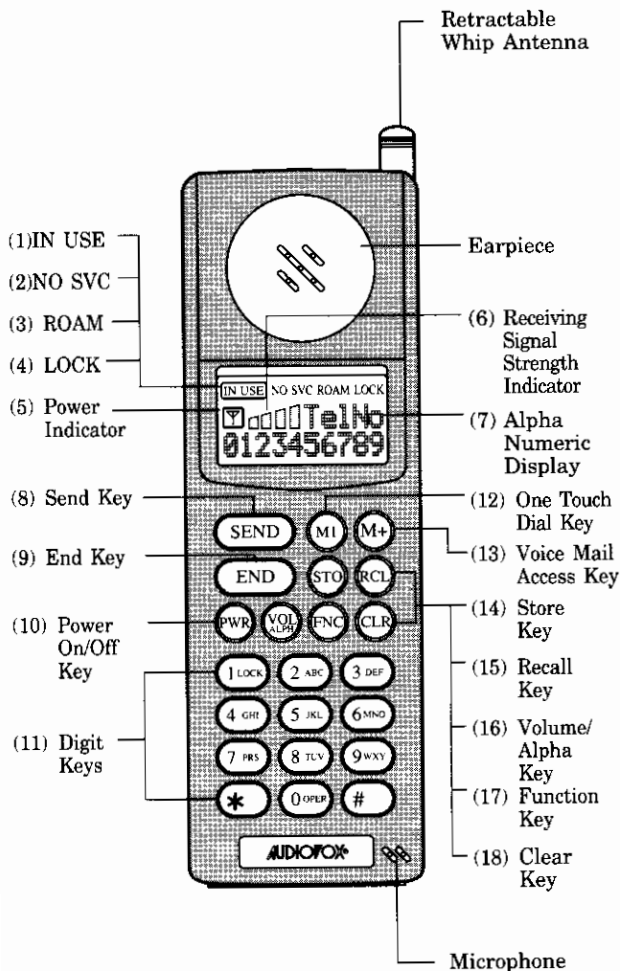
Size : Approx.
25 (H) x 53 (W) x 160 (D) mm
0.96 (H) x 2.1 (W) x 6.3 (D) inch

Weight : Approx. 260 gr (9.2 oz)

FEATURES AND OPTIONS

- Push Button Dialing
- Backlit Keypad and Display with On/Off Control
- Large Size Dot-matrix LCD Display
Status/Function Indicator
15 Digits Dial Number
Receiving Signal Strength Indicator
- Battery Level Indicator
- (Electronic) Volume Control
- Pre-set Dialing up to 16 Digits (32 Digits: NAM Option)
- Extended Readability (Prefix Review)
- Last Digit Clear
- Digit Display Clear
- Programmable Emergency Call in locked or restricted modes
- Repertory Dialing: 16/80-Digit 100 Memories
- Speed Dialing
- Repertory Memory Scroll
- Automatic Storing into a Vacant Memory Address
- Secret Memory
- Memory Name Tag
- Alpha Search
- Linked Preset Dialing from Memory
- Voice Mail Dialing
- One Touch Dialing
- Any Digit Key Answering (NAM Option)
- Automatic Answering
- Last Number Redial
- Last Three Number Redial
- Automatic Redial (NAM Option)
- Mute or Hold
- Scratch-pad Dialing (with/without Keying Tones)
- End-to-End Signaling
- Touch Tone™ from Memory
- Continuous DTMF from Keypad
- Call Restrictions (NAM Option)
- Silent Incoming Calls
- Silent Alert Beep (NAM Option)
- Call Time Display (Five Functions)
- Automatic Calls in Absence Indicator
- Display Own Telephone Number
- Multiple A/B System Selection
- SID Management (NAM Option)
- Multiple City Registration
- Last Rescan SID Indicator
- RF Channel Indicator
- Electronic Lock
- Automatic Lock (NAM Option)
- Function Review
- Serial Data I/O Mode


FUNCTIONS



- (1) **IN USE** indicator lights when a call is in progress.
- (2) **NO SVC** (no service) indicator lights when the unit is in a non-coverage area.
- (3) **ROAM** indicator lights when the unit is out of the home area.
- (4) **LOCK** indicator lights when the unit is locked.
- (5) **Power Indicator** is used as a POWER ON indicator which lights when the unit is turned on.
- (6) **RECEIVING SIGNAL STRENGTH INDICATOR:** The number of shaded blocks indicates the Receiving Signal Strength.
- (7) **15-CHARACTER FUNCTIONAL ALPHA-NUMERIC DISPLAY:** First 5 characters indicate current function and status conditions. The remaining 10 characters show the last 10 digits of the dialed number.
- (8) **SEND** (send key) is used for placing or receiving a call.
- (9) **END** (end key) terminates a call.
- (10) **PWR** (power on/off key) is used to turn on/off the unit.
- (11) **DIGIT KEYS** to enter a phone number.
- (12) **MI** (one-touch key) allows you to place a call with a single key stroke.
- (13) **M+** (voice mail access key) allows you to access the linked speed dialing capability.
- (14) **STO** (store key) stores phone numbers in repertory memory.
- (15) **RCL** (recall key) recalls phone numbers from repertory memory.
- (16) **VOL/ALPH** (volume/alpha key) is used to control Earpiece audio level as well as the Alert Tone. **VOL** is also used as **ALPH** (alpha key) in combination with **FNC** to enter 5 Alphabetical characters.
- (17) **FNC** (function key) shifts the digit keys to the functional keys.
- (18) **CLR** (clear key) clears the digit(s) from the display.

BASIC OPERATION

Turning the Unit On/Off

Press **PWR** for about one second to turn on the unit. The indicator  will light (all indicators will light momentarily: display will show the programmed name or your phone number, and a tone will be heard). Press **PWR** again for about one second to turn off the unit.

• Antenna Position

Your portable cellular telephone has been equipped with a dual position antenna system.

This dual position antenna has been especially designed to allow your phone to receive calls while the antenna is down. However, for optimum performance and signal strength or while operating in poor signal areas, it is recommended that the antenna be fully extended.





Note: The antenna can be used in its fully extended or fully retracted position only.

• Receiving Signal Strength Indicator

The number of shaded blocks indicates the Signal Strength in your area. Four blocks show the maximum level. The display will vary as you move with the unit. If the signal is not strong enough to place a call, the **NOSVC** indicator will appear on the readout.

• Battery Level Indicator

You can monitor the current battery voltage level. Press **RCL**, key ***** then **8**, the battery voltage condition will be displayed on the readout in one of four steps for 5 sec.. The number of shaded blocks indicates the battery condition as follows:

	Full charge
	Normal phone call
	Short phone call
	Recharge battery

To Store a Number in Memory

1. Press **CLF**, then enter the phone number.
2. Press **STO**, then enter the memory address (01 through 99).

Example: Press **STO**, key **1** then **5**, the displayed number will be stored into memory address 15.

Note: A number of more than 16 digits can be stored only into memory address 96 through 99. (See link dialing, page 31.)

To Recall a Number from Memory

Press **RCL**, then enter the memory address (01 through 99).

Example: Press **RCL**, key **1** then **5**, the number stored in memory address 15 will be displayed on the readout.

To Review the Prefix

(Number longer than 10 digits)

After pressing **RCL**, hold down the second digit of the memory address.

Note: When a set of linked numbers is recalled, you can review only the last linked number by this feature. To review Link 1 to Link 5, use **FNC**, **RCL** then key **X** (X is 1 to 5). See "Link Dialing".

Display Own Telephone Number

You can see your system ID number and your own phone number on the readout. Press **RCL**, key ***** then ***** again. The System ID number is shown while pressing key ***** at the 2nd time.

Repertory Memory Scroll

This feature is useful in finding a certain phone number by scrolling the repertory memory from one of the designated starting addresses.

1. Press **RCL**, key **X** then **#**.
X is the digit to assign the starting address as follows.

X	Starting address
0	01
1	11
2	21
•	•
•	•
•	•
8	81
9	91

2. Press **▲** or **▼**.

▲: Scroll upward (with roll back to 01)

▼: Scroll downward (with roll up to 99)

Memory address and the last 7 digits of the stored number will be displayed on the readout as follows.

Example: **31-1234567**

Address No. Tel. No.

Note: In this scroll feature, any vacant memory address(es) will be skipped.

Automatic Storing into a Vacant Memory Address

This feature allows automatic storing into a vacant repository memory address. This ends the possible problem of writing over a previously stored number.

1. Enter the phone number.
2. Press **STO**.
3. Enter the memory address group number in which you want to store a number.

0: From 01 to 10

1: From 11 to 20

2: From 21 to 30

•

•

•

8: From 81 to 90

9: From 91 to 99

#: From 01 to 99

4. Press **#**.

The memory address and the last 7 digits of the stored phone number will be displayed on the readout as follows.

Example: **31-1234567**

Note: If there is no vacant address in the assigned area, the phone number will not be stored in the memory.

Secret Memory

This feature allows you to store ID code, telephone credit card numbers, etc. in secret memory locations. For security purposes, you must enter your three-digit security code to display the secret number. For practical use of the secret memory, refer to "END-TO-END SIGNALING".

To Store the Secret Number

1. Press **CLR**, then enter secret number.
2. Press **FNC**, **STO**, then enter the memory address (01 through 99). **SECRET** will be displayed on the readout.

Example: To store the secret number 9876 into memory address 41 or automatically store this number into a vacant memory address of 40's.

1. Press **CLR**.
2. Enter secret number
9 8 7 6
3. Press **FNC**, **STO**. (secret memory store)
SECRET
4. Press keys **4**, **1**. (address number)
SECRET

or

press keys **4**, **#**. (to store vacant memory address of 40's)

41-SECRET

To Confirm the Secret Number

1. Enter the three-digit security code.
2. Press **RCL**, then enter the memory address (01 through 99). The last 10 digits of the secret number will be displayed on the readout.

Example: To confirm the secret number stored into memory address 41.

1. Enter the three-digit security code **1 2 3**
123
2. Press **RCL**, key **4** then **1**.
9876

Note: If you recall the secret memory without the three-digit security code, the secret number is not displayed on the readout as shown below:

Press **RCL**, key **4** then **1**.

SECRET

or

Press **RCL**, key **4** then **#**.

41-SECRET

To Lock the Unit

Press **FNC**, then key **1** (LOCK).

The **LOCK** indicator lights. The unit will remain locked until unlocked, even if the power is turned off.

Automatic Lock (NAM Option)

If you request the feature of Automatic Lock, your NAM can be programmed so that your unit will automatically go into the locked condition when the power of the unit is turned "off". When **PWR** is turned "on", the unlock code is required to operate the unit.

To Unlock the Unit

Enter the three-digit unlock code. The **LOCK** indicator will go out when the three-digit code is the same as the code registered in the NAM.

Backlighting On/Off Control

LCD display and the keypad are backlit automatically after the Power-On. If needed, backlighting can be turned off by pressing **RCL**, key ***** then **5**.

Even if the unit is in the backlighting "Off" mode, the backlighting will be turned on again automatically for 10 seconds when any key operation is conducted or a call is received.

To return to the backlighting "On" mode, press **RCL**, key ***** then **5** again.

Volume Control

The audio level of the earpiece and the alert tone can be adjusted by the Volume Control Key **VOL**.

• Earpiece:

Keep pressing **VOL** until you get the desired sound level. Sound level will be displayed on the readout digitally during the level adjustment and the sample tone will indicate the sound level when you are not engaged in a telephone conversation. The display format is as follows.

H.S [] (1 to 9)

• Alert Tone:

Press **RCL**, key ***** then **6**.

Then adjust the alert tone level in the same manner as above. Your telephone will ring at the new level. In this case, the display format is as follows.

ALT [] (1 to 9)

MEMORY NAME TAG

This feature permits you to tag an identifying name (in up to 5 characters) to each phone number in the memory address. The name will be displayed each time you recall a number from memory address.

To Enter Names using Alpha (Letters)

1. Press **FNC**, then **ALPH**. **Alpha** will appear on the readout to indicate the Alpha Mode is active.
2. Press digit keys repeatedly until the character you need appears. The following table shows which character is assigned with each digit key.

Key	ASSIGNED ALPHA CHARACTERS				
1	(Blank)	.	-	1	
2 (ABC)	A	B	C	2	
3 (DEF)	D	E	F	3	
4 (GHI)	G	H	I	4	
5 (JKL)	J	K	L	5	
6 (MNO)	M	N	O	6	
7 (PRS)	P	Q	R	S	7
8 (TUV)	T	U	V	8	
9 (WXY)	W	X	Y	Z	9
0	0				
*	*				
#	#				

3. When the character you need is displayed, press **ALPH** to move to the next space.
4. Go back to step 2, and repeat the same procedures until the complete character name is displayed.
5. When an entry error is made, press **CLR** momentarily to erase the last character. If you press **CLR** more than a second, all characters on the readout will be erased.
6. To exit Alpha Mode, press **FNC**, then **ALPH**.

To Store Name with Phone Number

1. Enter the phone number.
2. Press **FNC**, then **ALPH** to set Alpha Mode.
3. Enter the name you need. (Refer to "To Enter Names using Alpha".)
4. Press **STO**, then enter the memory address (01 through 99), to store the number with the name into memory.

Note: If you enter the phone number after entering the name, the name will be erased.

Example: To store the phone number 123-4567 with the name JOHN into memory address 15.

1. Enter the phone number;

1	2	3	4	5	6	7
----------	----------	----------	----------	----------	----------	----------
2. Set Alpha Mode;

FNC	ALPH
------------	-------------
3. Enter the Name;

5	ALPH	6	6	6	ALPH
(J)		(O)			
4	4	ALPH	6	6	ALPH
(H)		(N)			
4. Store the Number;

STO	1	5
------------	----------	----------

To Recall from Memory with Name

Recalling from the repertory memory with name is identical to standard repertory recall. When the number is recalled, the display will show the Alpha Name Tag as well as the stored phone number.

ALPHA SEARCH

This feature permits you to find a phone number stored in the memory by the first character of the Alpha Name Tag. This search can retrieve all entries beginning with the assigned initial character.

1. Press **FNC**, then **ALPH** to set the Alpha Mode.
2. Enter the initial character, by which you need to search the phone number.
3. Press **RCL**, then **ALPH**. The display will show the first entry whose Name Tag begins with the assigned initial character, and which is stored in the lowest memory address. Display shows Name Tag, Memory Address and Phone Number.
4. Press **#** or *****.

#: Scroll memory address upward.
*****: Scroll memory address downward.

Example:

Operation	Display
FNC ALPH	Alpha
5	J
RCL ALPH	JOHN
#	01-4567890
#	JACK
#	05-7654321
#	JAMES
↓	15-9876543
#	JIM
#	99-8765432
#	JOHN
#	01-4567890
*	JIM
*	99-8765432

PLACING TELEPHONE CALLS

To Place a Call

1. Enter the phone number. The last 15 digits of the dialed number are displayed on the readout.
Note: After 120 sec., display will return to the 10-digit display mode.
2. If a dialing error is made, press **CLR**, then enter the phone number again. Pressing **CLR** momentarily (less than approx. 0.5 sec.) clears only the last digit.
3. Press **SEND**. The **INUSE** indicator will light. When the called party answers, proceed with your conversation.

Note: If assigned in NAM, the phone number can be pre-set up to 32 digits. However, in this case it is necessary to confirm with system operator whether such service is available or not.

If the Call Fails to Go Through

1. If you hear the "reorder" signal, press **END**, then if there were no dialing errors, press **SEND** for redial. (Redialing with digit keys is not necessary.)
2. If the "intercept" signal is heard, press **END**, then redial the correct number.

Automatic Redial (NAM Option)

If the feature of Automatic Redial (NAM Option) is selected, your unit will automatically make five attempts to reach the cell site when the first try is not successful. The **INUSE** indicator will stay on, but the speaker will be muted for twenty seconds. This is done so that you do not hear the reorder signals out of the speaker. If you need to terminate the automatic redial, press **END**.

Terminating a Call

Press **END** and the **INUSE** indicator will go out.

To Receive Calls

1. When the telephone rings, press **SEND** to answer the call. The **INUSE** indicator will light.

Silent Incoming Calls

This feature alerts you visually of an incoming call by flashing **CALL** on the readout instead of hearing the Alert Tone.

1. Press **RCL**, key ***** then **7**. The **SALT** will appear on the readout.
2. When a call is received, the unit indicates it by flashing **CALL** on the readout without Alert Tone.
3. Press **SEND** to answer the call.
CALL on the readout will go out.
4. This mode is deactivated by pressing **RCL**, key ***** then **7** again.
5. If the Silent Incoming Calls is activated when the unit is powered up, **SALT** will appear on the readout for 5 seconds.

Silent Alert "Beep" (NAM Option)

Normal operation of silent alert is to display the word "CALL" in the handset display, when a call is being received, without an obtrusive audible ring signal. If the user would like to know when a call is being received, however, still does not want an obtrusive ring signal, a single "beep" at the beginning of the call (NAM) will allow the user to know a phone call is being received.

Any Digit Key Answering (NAM Option)

This feature permits you to answer an incoming call by pressing any of the digit keys on the key pad.

Automatic Answering

With this feature, the incoming call will be automatically connected for operation after two alert tones, and the **INUSE** indicator will light on the readout. Then the unit is ready for conversation.

1. To activate this mode, press **FNC** and then key **5**. **A.Ans** will appear on the readout.
2. This mode is deactivated when **FNC** and then key **5** are pressed again.
3. This feature will not function if the unit is in the Lock and Silent Incoming Calls.
4. If the Automatic Answering is activated when the unit is powered up, **A.Ans** will appear on the readout for 5 seconds.

To Place a Call with a Number in the Memory

1. Press **RCL**, then enter the memory address (01 through 99). The last 10 digits of the number will appear on the readout. If the number is longer than 10 digits, hold down the second digit of the memory address (after pressing **RCL**) to see the prefix.
Note: See “To Recall a Number from Memory” and “To Review the Prefix” for more details.
2. Press **SEND**. The **INUSE** indicator will light as the call is placed.

Speed Dialing

This feature permits you to place a call from the stored memory locations without using the recall **RCL** key. Speed dialing is a quick method of placing calls from memory.

1. Enter the one or two digits of memory address (1 through 9 and 10 through 99).
2. Press **SEND**. The last 10 digits of the phone number will appear on the readout, and the **INUSE** indicator will light.

Last Three Number Redial

This feature permits you to redial any of the last three phone numbers you attempted to call.

Numbers will be stored in memory only if **SEND** key is pressed.

Note: If same telephone number is attempted more than once phone will only utilize one memory location.

1. Press **RCL**, key **↑** then **↓**. The last phone number is displayed on the readout.

Example: **#1-1234567**

2. Press **↑** or **↓**, the scrolled number is displayed on the readout.

↑ : Scroll upward (with roll back to #1)

↓ : Scroll downward (with roll up to #3)

3. Press **SEND** to send a displayed number.

Note: To clear the stored number, press **CLR**, then **SEND** three times.

Programmable Emergency Call (NAM Option)

This feature permits you to place a call to 3 emergency numbers (maximum of 7 digits) even if your telephone has been set to the locked or restricted modes.

The three emergency numbers must be pre-programmed in the NAM.

Note: 911 is preset emergency number. (you may change this number if you wish.)

Operation in Lock Mode

1. Enter the emergency call number (911); **9** **1** **1** (“911” does not indicate, but the **LOCK** indicator will light.)
2. Press **SEND**, the **INUSE** indicator will light.
3. To terminate the call, press **END**. (The **INUSE** indicator will go out.)

Operation in Call Restriction Mode

The operation and display are the same as in the normal mode.

To Mute a Phone Conversation

1. Press **FNC**, then key **8**. **Mute** will appear on the readout. The transmit audio will be muted and the receive audio will be heard from the receiver. The mute (or hold) feature will permit you to converse privately with a passenger during a call.
2. To return to normal conversation:
Press **FNC**, then key **8** again.
3. Mute is reset when the call is terminated.

ONE TOUCH DIALING

this feature permits you to place a call by a single key stroke.

To Store a Number into One Touch Memory

1. Press **CLR**, then enter a phone number.
2. Press **STO**, then the One Touch Key **M1**.
Stored numbers can be reviewed by pressing **RCL** then the One Touch Key you want to review.

To Place a Call to a Number in One Touch Memory

Press the One Touch Key for approx. 0.5sec..
The last 10 digits of the number will be displayed on the readout, and the **INUSE** indicator will light as a call is placed.

VOICE MAIL DIALING

This feature permits you to access, through telephone lines, a computer system and send DTMF number codes in sequence. Up to five numbers can be stored and are sequentially accessed with one touch of the "Voice Mail Access" key. The first number is sent in digital form to the cell site, then up to four other numbers are sent with DTMF signaling.

To store Numbers

Store the numbers to be linked into the special memory address 91 through 95. Each number should be within 16 digits.

To Place a Call

Press **M+** "Voice Mail Access" key for approx. 0.5sec.. The first number in memory address 91 will appear on the readout and will be sent digitally to the cell site. After you hear the signal from the Operating Office, press **M+** "Voice Mail Access" key again. The second number in memory address 92 will appear on the readout and is sent with DTMF tones. You will monitor the tones through the loudspeaker. The third through fifth number in memory address 93 through 95 can be accessed sequentially in the same manner as above.

CALL RESTRICTION (NAM OPTION)

This feature permits you to impose various kinds of restrictions on Outgoing Calls.

To Set Call Restricted Mode

Enter the three-digit security code, then press **FNC**, key **#** then **7**.

The following key operation is needed to activate one of the restricted modes:

- 1** : Only phone numbers having 11 digits or less are accepted. Operator assisted dialing is prohibited.
- 2** : Only phone numbers having 7 digits or less are accepted. Operator assisted dialing is prohibited.
- 3** : Operator assisted dialing (0 Origination) is prohibited.
- 4** : No phone calls can be placed except for repertory dialing from memory address 01 to 09. However, programmable emergency call will be available.
- 5** : Only One Touch dialing is permitted. However, programmable emergency call are available.
- 0** : No restriction.

To Exit Call Restriction Programming Mode

Press **FNC**, then **CLR**.

- Note:
- (1) When in the restriction mode 4, number storage into the memory will not be permitted.
 - (2) In the restriction mode, a short beep tone will be heard to inform you of the improper operation, and the word **Restricted** will be shown on the readout.

END-TO-END SIGNALING

This feature permits you to utilize additional phone services, such as accessing an alternate long distance network, signaling pager, or banking by phone etc..

For these services the signaling should be in DTMF (Touch Tone™). The following two features will make it easier to send in DTMF codes.

Note: When you use this feature with a secret number, the number must be previously stored in a memory address. (Refer to "To Store the Secret Number".)

Touch Tone™ from Memory

DTMF signaling by repertory dialing is available while engaged in a telephone conversation.

1. Press **RCL** **RCL**, then enter the repertory memory address (01 through 99).

The last 10 digits of the number will appear on the readout.

Note: However, if the memory address entered has been set as a secret memory,

SECRET will be displayed on the readout instead of the number.

2. Press **SEND**. Then DTMF signaling will be placed and the DTMF tone can be monitored through the speaker.

Note: Continuous DTMF from keypad can be manually dialed as well to access answering machines when engaged in a telephone call.

Link Dialing

This feature permits you to pre-set from repertory memory or the keypad up to five numbers before placing a call. With this feature, the first number is sent in digital form to the cell site. Then up to four other numbers can be sent with DTMF signaling by simply pressing **SEND** for each additional number.

- Note:
- (1) Each number to be linked may be recalled from memory or entered by keypad.
 - (2) Each number to be linked should be within 16 digits including linking mark "=" at the end.
 - (3) Linked number can be stored in the memory. However, number of more than 16 digits should be stored into memory address 96 through 99.

Example: To access the alternate long distance service using a secret number, you should call your long distance service office first, and enter your ID number, then the phone number to be placed.

1. Recall the phone number of the long distance service office.
Press **RCL**, then enter the memory address (01 through 99).

7463479

2. Press **FNC**, then key *****.
Linking Mark "=" will be added at the end of the number and **Link1** will appear.

Link1
7463479=

3. Recall your ID number stored with secret attribution.
3-1. Enter the three-digit security code.

Press keys **1**, **2**, **3**.

Link2
123

Note: When you recall the ID number stored without the secret attribution, omit the step 3-1 and proceed to next step 3-2.

- 3-2. Recall the secret memory (ID number).

Press **RCL**, key **4** then **1**.

6714852

4. Press **FNC**, then key *****.

Link2
6714852=

5. Recall or dial the phone number to be called.
Press **RCL**, then enter the memory address (01 through 99) to recall the phone number to be called.

1234567890

6. Press **SEND**. The **INUSE** indicator will light as the call is placed. **Link1** will appear on the readout.

Link1
7463479=

7. After you received an answer from the long distance service office, press **SEND** again. The DTMF signal will be placed and the DTMF tone of your ID number can be monitored through the speaker.
Link2 will appear on the readout.

- If your ID number is accepted, the long distance service office will answer again, so press **SEND**. Then the long distance call will be placed and the DTMF tone can be monitored through the speaker. **Link3** will appear on the readout.

Note: The number linked in steps 1 through 5 can also be stored in secret memory as stated in the "Secret Memory".

- When a set of linked numbers which includes a secret number has been stored in memory address 96 through 99, enter the three-digit security code, press **FCL**, memory address (96 through 99), and then **SEND** to place the call. **Link1** will appear on the readout, and the first linked number will be called as shown in step 6 above. If the secret number is not included in the linked number, you need not enter the three-digit security code in the above operation.
- To complete the call, continue operations as shown in the steps 7 and 8.

SCRATCH-PAD DIALING

This feature permits you to enter a number to be redialed (or store a number in memory) while engaged in a conversation.

SCRATCH-PAD DIALING WITHOUT KEYING TONES

This feature permits you to activate scratch-pad memory without annoying key tones over the circuit.

- Press **FNC**, then key **9**, then enter a phone number. **Tone** will be displayed for 5 seconds. The Microphone circuit will remain active, but the tones will not be heard.
- If necessary, press **STO**, then enter the memory address.
- To exit the Scratch-pad Mode, press **FNC**, then key **9** again.

CALL TIME DISPLAY

This feature automatically records the elapsed time per conversation. The talk time of the last call, cumulative talk time, and the number of calls can be displayed on the readout. The timers can also be cleared if necessary. With beep tones you can be notified of the approximate talk time (NAM Option) in approximately 60 seconds increments.

To Display the Talk Time of the Last Call

- Press **FCL**, key ***** then **1**.
The talk time of the last call will be displayed on the readout for 5 seconds.
While in a conversation, the talk time of a call in progress will be displayed, and updated each second. The display format is as follows.
01m25 ... 1 min. and 25 sec.

To Display the Cumulative Talk Time

- Press **FCL**, key ***** then **2**.
The cumulative talk time will be displayed on the readout in minute format for 5 seconds.
18m ...18 min.

To Display the Number of Calls

- Press **FCL**, key ***** then **3**.
The number of calls will be displayed on the readout for 5 seconds. The display format is as follows.
86c ...Received or placed 86 calls.

Outgoing Call Timer Only (NAM Option)

Normal call timer operation is to time both the calls made and the calls received. If the "outgoing call timer only" function is activated (NAM Option), the call timer will only accumulate the number of calls and amount of time when placing calls. It will not accumulate the number of calls or amount of time for calls received.

To Clear the Timer

- Press **CLR**, then enter the three-digit security code.
- Press **STO**, key ***** then **1**.
The timers will be cleared, and the count for the cumulative talk time and the number of calls will start from zero.

One Minute Beep (NAM Option)

During conversation, you can be notified of the approximate talk time by tones for the first five minutes. (a short monotone signal will sound every minute and a double beep tone will be heard after approximately 5 minutes.)

SID MANAGEMENT (NAM OPTION)

This feature enables you (by NAM option) to take advantage of a family of SID groups. This is a group of cellular systems in cities that your carrier owns or has special billing arrangements with. Your close family SID's (like brothers and sisters) will be billed at the same rate as your home billing and will be indicated as "Home" (i.e. both **NOSVC** and **ROAM** are off) on your display. More distant family SID's (like cousins) will be billed at a preferred rate. Your phone will display solid **ROAM** when using these groups of systems in their cities. When flashing **ROAM** is displayed, you are using a SID system that is not included in the NAM assigned groups.

If your display indicates flashing **NOSVC**, you will need to change your A/B switch selection or, please refer to Multiple City Registration to change phone registration to enable you to make a call.

If in question as to what SID (system identification) you are using, push **FCL** **✱** **9** to display the current SID.

A/B SYSTEM SELECTION

This feature permits you to select the system you need to use. The system that you are registered with is the preferred system, and your home system.

1. Standard Mode

When you turn the unit on, the unit remembers the last position of the A/B system selected, and will start to scan the radio frequency channels of that selection.

If you want to confirm the current mode, press **FNC**, key **0** then **4**. Status indicator shows the current mode. To return the unit to the standard mode, press **FNC**, key **0** then **0** again. Status indicator shows **STD**. The unit will scan the preferred system channels. If unable to find an acceptable preferred channel, the unit switches to scan the non-preferred channels.

2. Preferred System Only Mode

Press **FNC**, key **0** then **1**. Status indicator shows **PRF**. The unit will scan the preferred system only and prevents switching over to the non-preferred system.

3. Non-preferred System Only Mode

Press **FNC**, key **0** then **3**. Status indicator shows **N-PRF**. The unit will scan the non-preferred system only.

4. Home Only Mode

Press **FNC**, key **0** then **2**. Status indicator shows **Home**. You can place or receive calls only within your home area.

MULTIPLE CITY REGISTRATION

Some cellular users find it beneficial to register their phone in multiple cities, rather than rely on "roam". The multiple city registration feature permits you to reprogram from the telephone unit, the different phone numbers for the cities in which you are registered. Each programmed phone number will be designated as your home system.

Press **CLR**, and enter the new system ID number (5 digits) followed by the corresponding phone number (10 digits). Please include your area code. You must register your unit with the carrier in order to get both the system ID number and your phone number.

Press **FNC** then key **6**. Your new phone number will be displayed on the readout. (Holding down **6** to display your new system ID number.)

Note: (1) System ID number and phone number can not be programmed during a call.

(2) Calls are placed or received using only the programmed phone number, in use at the

LAST RESCAN SID INDICATOR

This feature permits you to recall the last system identification accessed by your phone.

Press **RCL**, key ***** then **9**.

The last rescan SID is displayed on the readout for 5sec.

The display format is as follows:

```
SID
00020
```

If the **NOSVC** indicator is on, the display will show

```
.....
```

RADIO FREQUENCY (RF) CHANNEL INDICATOR

If necessary, you can see the RF channel status in which your unit is operating.

1. Press **RCL**, key ***** then **4**.

The RF channel number, RSSI, SAT color code, and transmitting power level will be displayed on the readout. The display format is as follows:

```
C123
R187 S0 P2
```

C123....	RF channel number
R187....	RSSI value
S0....	SAT color code
P2....	Transmitting power level

2. The display will remain on the readout until you manually reset it by pressing any key.

AUTOMATIC CALLS IN ABSENCE INDICATOR

This feature indicates the number of unanswered incoming calls. If incoming calls are unanswered, the unit will indicate the following.

```
Called XX
```

XX is the number of calls (01 to 99) missed. Depressing any key (other than the Power Key) will clear the number of calls indicated in Display. However, the number of calls will remain if the unit is turned off.

SERIAL DATA MODE

When the phone is placed in SERIAL DATA MODE, the word "SDATA" is displayed and the keypad becomes non-functional (except for the power on/off key). This mode can be activated by pressing **FNC** and pressing **2** longer than 1 second.

While in this mode, an automated interface device (STI75, optional) can be connected to the handset. This will allow a laptop computer or fax machine to be connected for data transmission as well as provide the capability of connecting "phone line" based equipment (standard phone, answering machine, TDD devices for the hearing impaired, etc.) to the handset.

To deactivate this feature press **PWR** key to turn the power off.

FUNCTION REVIEW

This feature shows you which numbered keys to use for different FNC/RCL key functions.

To review the function menu:

Press **FNC** for about one second.

Scroll the menu up or down, using the **↑** or **↓** key respectively.

The display information will appear as follows.

DISPLAY	FUNCTION
[Lock] [FNC 1]] Lock
[A.D/T] [FNC 2]] Automatic Data Transmission ⁽⁴⁾
[Call] [FNC 3]] Calls In Absence Indication ⁽⁴⁾
[A. Ans] [FNC 5]] Automatic Answering
[Mute] [FNC 8]] Mute
[Tone] [FNC 9]] DTMF Tone Mute
[Absys] [FNC 0 0-4]] A/B System Selection
[Timer] [RCL * 1-3]] Call Timer
[RF CH] [RCL * 4]] RF Channel Indication
[Light] [RCL * 5]] Backlighting Control
[Alert] [RCL * 6]] Alert Volume Control
[Silent] [RCL * 7]] Silent Incoming Calls
[Batt.] [RCL * 8]] Battery Level Indication
[R.SID] [RCL * 9]] Last Rescan SID Indication
[<ID>] [RCL * *]] Present SIDH+Phone Number
[Alpha] [FNC ALPHA]] Alpha Mode
[Data] [FNC SEND]] Data Transmission ⁽⁴⁾
[Secrt] [FNC STO N]] Secret Memory
[Restr] [XYZ FNC #7]] Call Restricted Mode
[ID] [<ID> FNC 6]] Multiple City Registration

- Note: (1) N = Repertory Memory Address
(01 through 99)
(2) XYZ = Three-digit Security Code
(3) <ID> = System ID number + Own
Phone Number
(4) These features are available only when the
unit is connected with a Car Kit (option).

IMPORTANT SAFETY INFORMATION

Please read and follow these cautions carefully. **TURN OFF** your unit in an explosive atmosphere (near a fuel pump, blasting area, etc.).

DO NOT dial when your unit is moving in states where this action is illegal (this is not a prudent practice, even where it is legal).

DO NOT permit untrained personnel to operate the unit.

WARNING

The following offences can be punished by fine, imprisonment, or both:

- Using obscene, indecent, or profane language.
- Using the unit to give off false distress calls.
- Wiretapping or otherwise intercepting a telephone call, unless that person has first obtained the consent of the parties participating in the call.
- Making anonymous calls to annoy, harass, or molest other people.
- Charging to an account without authorization to avoid payment for service.
- Refusing to yield a party line when informed that it is needed for an emergency call (It is also unlawful to take over a party line by stating falsely that it is needed for an emergency).

36 MONTH LIMITED WARRANTY

AUDIOVOX CORPORATION (the Company), warrants to the original retail purchaser of this Audiovox Handheld Portable Cellular Telephone, that should this product or any part thereof (except the items listed below), under normal use and conditions, be proven defective in material or workmanship within the first thirty-six (36) month period from the date of purchase, such defect(s) will be repaired or replaced (with new or rebuilt parts) at the Company's option, without charge for parts or labor directly related to the defect(s).

The keypad and display are similarly warranted for twelve (12) months from date of purchase.

The accessories consisting of the antenna and rechargeable battery pack, desk top battery charger, wrist strap are similarly warranted for only ninety (90) days from original purchase.

This Warranty does not apply to batteries, fuses, or costs incurred for testing or checking, or to any product or part hereof which has suffered through alteration, serial number defacement, improper installation, excessive temperature or humidity, environmental conditions, mishandling, misuse, neglect or accident. This Warranty is not assignable or transferable.

To obtain repairs or replacement within the terms of this Warranty, the product should be delivered with proof of warranty coverage, specification of defect(s), transportation prepaid, to the Company at the address shown below. For TRAVELERS WARRANTY SERVICE.

Call toll free to (800) 229-1235 (in N.Y. State, (516) 233-3410) for reference to an Authorized Warranty Station in your area.

THE EXTENT OF THE COMPANY'S LIABILITY UNDER THIS WARRANTY IS LIMITED TO THE REPAIR OR REPLACEMENT PROVIDED ABOVE AND, IN NO EVENT, SHALL THE COMPANY'S LIABILITY EXCEED THE PURCHASE PRICE PAID BY PURCHASER FOR THE PRODUCT.

The Company disclaims liability for geographic coverage, inadequate signal to antenna, communications range or operation of the Cellular System as a whole.

ANY IMPLIED WARRANTIES, INCLUDING ANY IMPLIED WARRANTY OF MERCHANTABILITY SHALL BE LIMITED TO THE DURATION OF THIS WRITTEN WARRANTY. ANY ACTION FOR BREACH OF ANY WARRANTY HEREUNDER INCLUDING ANY IMPLIED WARRANTY OF MERCHANTABILITY MUST BE BROUGHT WITHIN A PERIOD OF 48 MONTHS FROM DATE OF ORIGINAL PURCHASE. IN NO CASE SHALL THE COMPANY BE LIABLE FOR ANY CONSEQUENTIAL OR INCIDENTAL DAMAGES FOR BREACH OF THIS OR ANY OTHER WARRANTY, EXPRESS OR IMPLIED, WHATSOEVER.

No person or representative is authorized to assume for the Company any liability other than expressed herein in connection with the sale of this product.

Some states do not allow limitations on how long an implied warranty lasts or the exclusion or limitation of incidental or consequential damage so the above limitation or exclusions may not apply to you. This Warranty gives you specific legal rights, and you may also have other rights which vary from state to state.

IN U.S.A.: AUDIOVOX CORPORATION

185 Oser Avenue, Hauppauge,
New York 11788
(516) 233-3300

IN CANADA: AUDIOVOX CANADA LTD.

1070 Kamato Road, Unit 15
Mississauga, Ontario L4W2W5
(416) 629-1400

Free Manuals Download Website

<http://myh66.com>

<http://usermanuals.us>

<http://www.somanuals.com>

<http://www.4manuals.cc>

<http://www.manual-lib.com>

<http://www.404manual.com>

<http://www.luxmanual.com>

<http://aubethermostatmanual.com>

Golf course search by state

<http://golfingnear.com>

Email search by domain

<http://emailbydomain.com>

Auto manuals search

<http://auto.somanuals.com>

TV manuals search

<http://tv.somanuals.com>