

**VOD1022
DVD PLAYER
WITH
DROP-DOWN
VIDEO
TV/MONITOR**



**Operation
Manual**



128-7094

Release Date 6/28/04

128-7094

1 of 31

Important Notice

An LCD panel and/or video monitor may be installed in a motor vehicle and visible to the driver if the LCD panel or video monitor is used for vehicle information, system control, rear or side observation or navigation. If the LCD panel or video monitor is used for television reception, video or DVD play, the LCD panel or video monitor must be installed so that these features will only function when the vehicle is in "park" or when the vehicle's parking brake is applied.

An LCD panel or video monitor used for television reception, video or DVD play that operates when the vehicle is in gear or when the parking brake is not applied must be installed to the rear of the driver's seat where it will not be visible, directly or indirectly, to the operator of the motor vehicle. It is unlawful in most jurisdictions for a person to drive a motor vehicle which is equipped with a screen that is located in the motor vehicle at any point forward of the back of the driver's seat, or that is visible, directly or indirectly, to the driver while operating the vehicle. In the interest of safety, the VOD1022 should never be installed where it will be visible, directly or indirectly, by the operator of the motor vehicle.

Warnings

Do not use any solvents or cleaning materials when cleaning the video monitor. Use only a lightly dampened lint free cloth to wipe the screen if it is dirty. Lock the LCD screen in the fully closed position when not in use.

Remember to leave the dome light switch in the off or auto positions when the vehicle is unattended, as the dome lights, if left on, can drain the vehicle's battery.

Television Reception

This entertainment system is designed primarily for viewing prerecorded movies or playing video games. Television reception in a moving vehicle will be limited and in some areas will not be possible due to weak and variable signal strength. Television viewing in a stationary vehicle will result in an improvement, but may still be marginal due to signal strength. The quality of the picture will not be consistent with home TV reception. Reception may be affected by weather and distance from TV station. A weak signal may cause the picture to roll, be snowy, or cause some color loss.

Licensed under one or more of the following patents,
Patent NOS. 5,775,762 and 5,927,784

Congratulations on your purchase of the Audiovox VOD1022 DVD Player with Drop-Down Video monitor/TV. The VOD1022 has been designed to give you and your family many years of video entertainment in the mobile environment. Please read the directions that follow to familiarize yourself with the product and to ensure that you obtain the best results from your equipment.

Please note: Installation options vary, see the individual owner's manuals for each component in your system to obtain a full understanding of each component's operation.

Safety Precaution

For safety reasons, when changing video media it is recommended that the vehicle is not in motion, and that you do not allow children to unfasten seat-belts to change video media or make any adjustments to the system. System adjustments can be accomplished using the remote control unit, while seat-belts remain fastened. Enjoy your Audiovox entertainment system but remember-safety of all passengers remains the number one priority.

Features

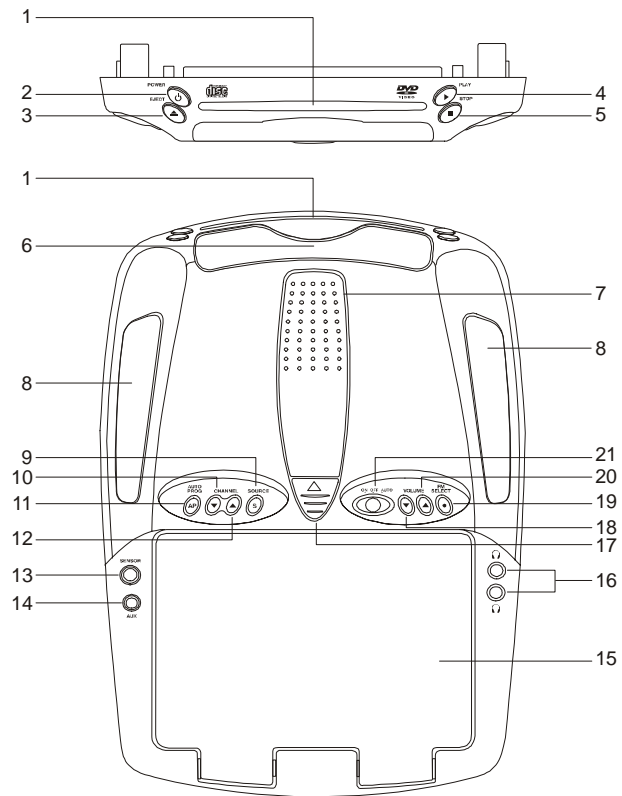
- **10.2" TFT Active Matrix Color LCD Monitor**
- **Built-In DVD Player**
- **DVD/CD/MP3 compatible**
- **On Screen Display**
- **16:9 and 4:3 Screen Mode (switchable)**
- **IR Remote Repeater for AV1 Inputs**
- **Dual IR Sensors**
- **Remote Control**
- **Four Source Selection (DVD/TV/AV1/AUX)**
- **AUX Input for Game or Camcorder**
- **6 Frequency FM Modulator**
(Remote Control Accessible)
- **Dual Headphone Jacks**
- **Built-In TV Tuner**
- **Built-In Dual IR Transmitter**
- **Built-In Dome Lights with Switch**
- **Last position memory for DVD**

-3-

128-7094

3 of 31

Controls and Indicators Diagram



Main Function Descriptions

1. **DVD Disc insertion slot** – For loading Disc.
2. **POWER Button** – Bright red when system is on dim when off.
3. **EJECT () Button** – For ejecting discs from the disc compartment.
4. **PLAY (▶) Button** – This button is used to enter the play mode.
5. **STOP (■) Button** – To stop playback.
6. **Infrared Transmitter and Sensor** – Use to transmit audio to wireless headphones. Also allows the remote control to operate the VOD1022 and to control other accessories in the system.
7. **VOD1022 Ventilation Opening.**
8. **Dome Lights** – Provide additional interior illumination.
9. **SOURCE Select** – Used to select one of the four sources (TV,AV1, AUX, DVD).
10. **CHANNEL (▼) Button** – Use this button to decrease the channel number to the desired number. *Note : When TV function is selected.*
11. **AUTO PROGRAM Button** – Allows the user to scan and store active TV stations into memory.
12. **CHANNEL(▲)Button** – Use this button to increase the channel number to the desired number. *Note : When TV function is selected.*
13. **Side Remote Sensor Eye** – Allows the remote control to operate the VOD1022, control volume to wired headphone jacks and control the other accessories.
14. **AUX Input (Use with supplied A/V adapter)**
 - Auxiliary Audio Right Input.
 - Auxiliary Audio Left Input.
 - Auxiliary Video Input.
15. **Drop Down LCD Panel.**
16. **Headphone Jack** – Allow the use of wired headphones with a 1/8" plug for listening to video program audio.
17. **Screen release** – Moves in direction of the arrow to release the drop down screen.
18. **VOLUME (▼) Button** – Use this button to decrease the volume level of the wired headphone jacks. It is also used to make picture adjustments in the picture select mode.

19. FM Select Button – Each time this button is pressed the FM Modulator will cycle through the following options: (FM OFF – POD AUDIO – SAT AUDIO) The frequency of the FM modulator will remain same.

20. VOLUME (▲) Button – Use this button to raise the volume level of the wired headphone jacks. It is also used to make picture adjustments in the picture select mode. *Note : Audiovox recommends the use of the Audiovox HP275 Headphones when using wired headphones.*

21. Three position Dome Light Switch

- Auto – Automatically switches on the dome lights in conjunction with the vehicle's interior illumination.
- Off – The dome lights will not turn on in this position.
- On – Turns on the dome lights.

Note: The volume buttons will not effect the volume of the wireless headphones or the wired FM modulator. When using these devices the volume must be adjusted with the wireless headphone volume control or with your radio's volume control (see page 15, Wireless Headphones, or page 16, Wired FM Modulator).

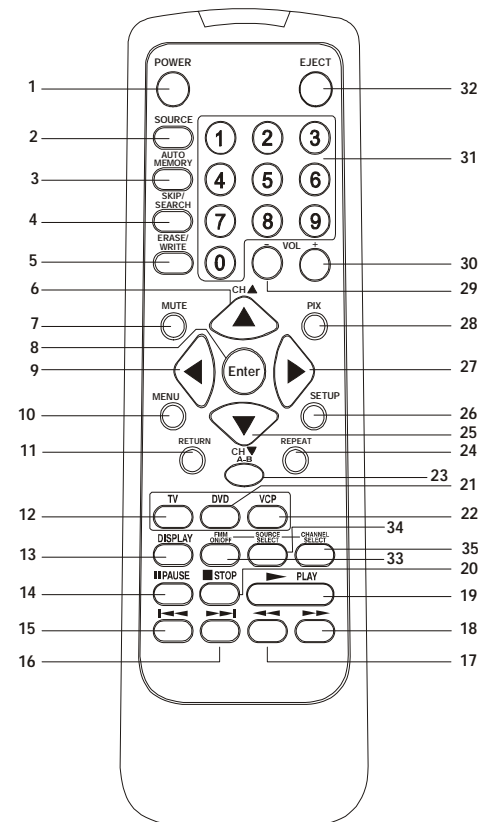
Remote Control Operation

Battery Installation

Before attempting to operate your Remote Control, install the batteries as described below.

- 1) Turn the Remote Control face down. Using a fingernail, lift the battery cover off.
- 2) Install two "AAA" batteries as shown. Make sure that proper polarity (+ or -) is observed.
- 3) Align the cover tabs with the remote control and press down until the cover clicks.

The remote control will operate the VOD1022 and most Audiovox VCP's. It is not a universal remote control and will not control equipment from other manufacturers.



Remote Control Function Descriptions

*Function control is available on the unit and the remote control.

1. **POWER Button***

Press this button to turn the VOD1022 on. Press the button again to turn the VOD1022 off.

2. **SOURCE Button***

Video signals from video equipment connected to the audio / video inputs can be displayed on the monitor by pressing this button. Each time the button is pressed, the audio / video source will change sources in the following order: DVD, AV1, AV2 and AUX.

3. **AUTO MEMORY Button (AUTO PROGRAM Button)***

When the AUTO MEMORY button is pressed, all channels are searched and channels that are detected with signals of sufficient levels are automatically stored.

4. **SKIP/SEARCH Button**

This button selects between SKIP and SEARCH mode. In "SKIP mode" the TV tuner will tune and stop on channels that are programmed into memory when the CHANNEL UP/DOWN buttons are used. When in the SEARCH mode, the TV will stop on all active channels.

5. **ERASE/WRITE Button**

While tuned to a channel, pressing this button will either store or erase the channel from memory. The stored channel numbers are displayed in "GREEN" on the LCD display screen, and the erased channel numbers are displayed in "RED".

6. Channel Up (▲) Button*

Use this button to increase the channel number to the desired channel and to scroll upward in menu options.

7. MUTE Button

Press this button to mute the audio.

Pressing the button again restores the sound to the previously set level.

8. ENTER Button

Used to confirm a selected setting or option.

9. LEFT (◀) Button

Allows the user to shift left in the menu options.

10. MENU Button

Allows the user to access the DVD (DVD MODE) main menu and monitor menu (TV MODE).

11. RETURN Button

Allows the user to return to the menu while PBC on.

Note: This function only present on VCD2.0.

12. TV Mode Select Button

Switches certain function keys on the remote control for TV functions.

13. DISPLAY Button

Press to display DVD Disc current information.

Press DISPLAY button	DVD Player Perform
Once	Display current TITLE & CHAPTER
Twice	Display current SUBTITLE
3 times	Display current AUDIO language & channel
4 times	Display current ANGLE
5 times	Display A-B current status
6 times	Display REPEAT current status
7 times	Display is turn off

For Title & Chapter, use cursor buttons to do title/chapter selection, then press Enter button to implement the selection.

For Subtitle, Audio, Angle, A to B & Repeat, press the Enter key repeatedly to change the options. These options may vary from disc to disc.

14. PAUSE (II) Button*

Allows the user to pause playback.

15. PREVIOUS (II) Button

Allows the user to return to the previous chapter or track.

16. NEXT (II) Button

Allows the user to skip to the next chapter or track.

17. REV (◀◀) Button*

Allows the user to search in a backward direction at 2,4, 6 and 8 times the normal speed for DVD.
Allows the user to activate the video tape rewind search mode for VCP.

18. FWD (▶▶) Button*

Allows the user to search in a forward direction at 2,4, 6 and 8 times the normal speed for DVD.
Allows the user to activate the video tape fast forward search mode for VCP.

19. PLAY (▶)Button*

Press this button to activate the play mode while a disc is loaded into the disc compartment for DVD.
Press this button to activate the play mode while a video tape compartment for VCP.

20. STOP (■) Button*

DVD disc play will be stopped.
Video tape play will be stopped

21. DVD Mode Select button

Switches certain function keys on the remote control for DVD functions.

22. VCP Mode Select button

Switches certain function keys on the remote control for VCP functions.

23. A-B Button

Allows the user to repeat play of a DVD or CD from point A to point B.

24. REPEAT Button

Allows the user to repeat various positions of a DVD, CD or MP3.

25. Channel Down (▼) Button*

Use this button to decrease the channel number to the desired channel and to scroll downward in the menu options.

26. SETUP Button

Allows the user to select the DVD player's setup options (Display, OSD Language, Defaults, Parental Control, Password, Exit Setup).

27. RIGHT (▶) Button

Allows the user to shift to the right in the menu options.

28. PIX Button (PICTURE SELECT)

Each time this button is pressed, the unit will display the "adjustment bars" for BRIGHTNESS, CONTRAST, COLOR or TINT. Once the desired adjustment bar is displayed, use the VOLUME UP or DOWN buttons to adjust the setting. The display will automatically turn off if no adjustments are made within 6 seconds, or if any other button is pressed.

29. VOLUME DOWN (-) Button*

Use this button to decrease the volume level of the wired headphone jacks. This button is used to make picture adjustments in the picture select mode.

30. VOLUME UP (+) Button*

Use this button to raise the volume level of the wired headphone jacks. This button is also used to make picture adjustments in the picture select mode.

Note: The volume buttons will not affect the volume of wireless headphones or a wired FM modulator. When using these devices the volume must be adjusted with the wireless headphone volume control or with your radio's volume control (see page 17, Headphones, or page 18, Wired FM Modulator).

31. NUMBER Buttons

- Allows the user to enter the numbers 0 to 9 for selection of CD tracks, DVD chapters, and password setting.
- Allows the user to enter the numbers 0 to 9 for selection of TV channel.

32. EJECT (▲)Button*

Use this button to eject a disc.

33. FM TRANSMITTER ON/OFF Button

Turns FM Modulator power on/off.

34. SOURCE SELECT Button*

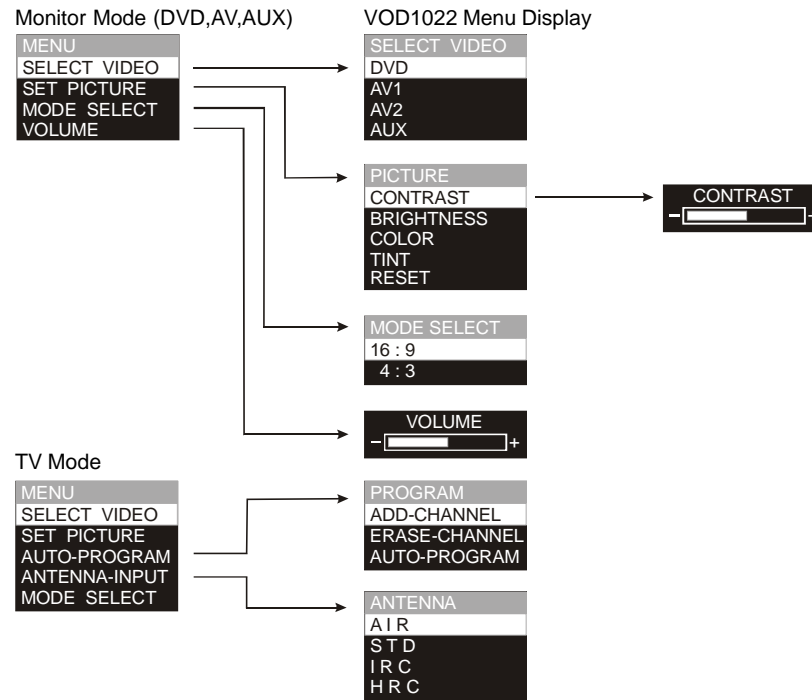
With FM ON, used to select from POD Audio (Selected Source mode) or SAT Audio (Second IR input).

With FM OFF, used to select from SAT Audio or Car Audio.

35. CHANNEL SELECT Button

Selects the FM modulator Frequency (Frequency 1, 88.3MHz, Frequency 2, 88.7MHz, Frequency 3, 89.1MHz, Frequency 4, 89.5MHz, Frequency 5, 89.9MHz, Frequency 6, 90.3MHz).

MENU Button Function for TV MODE



Press the TV button followed by the MENU button on the Remote Control, the main menu will appear. Press the Up or Down button to select an item. For example, highlight SET PICTURE and press the Enter button. The PICTURE menu will appear. Use the Up or the Down button to highlight Contrast and press the ENTER button, then press the Left or Right button to adjust the setting.

Direction of adjustment item

MENU in DVD, AV1, AUX Condition	Item	Right Button	Left Button	Enter Button
SELECT VIDEO	DVD TV AV1 AUX	- - - -	- - - -	To DVD mode To TV mode To AV1 mode To AUX mode
SET PICTURE	CONTRAST BRIGHTNESS COLOR TINT RESET	Decrease the contrast for soft color To darken the picture To Decrease the color intensity Increase the greenish skin tones -	Increase contrast for vivid color To brighten the picture To increase the color intensity Increase the redish skin tones -	To Contrast mode To Brightness mode To Color mode To Tint mode To factory setting
MODE SELECT	16 : 9 4 : 3 VOLUME	- - Decrease the volume output level	- - Increase the volume output level	To 16 : 9 aspect ratio To 4 : 3 aspect ratio To Volume mode

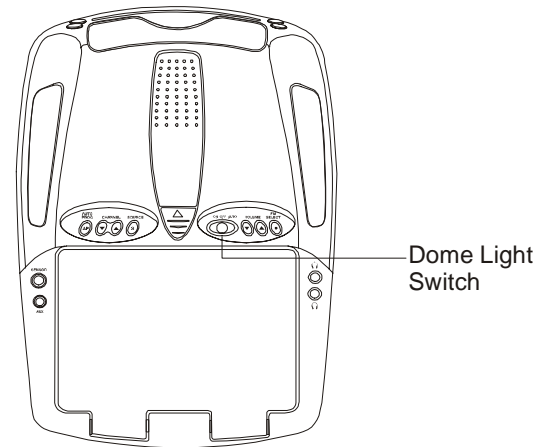
MENU in TV Condition	Item	Up Button	Down Button	Enter Button
AUTO PROGRAM	ADD CHANNEL ERASE CHANNEL AUTO PROGRAM	- - -	- - -	Add to memory Erase from memory Auto program search
ANTENNA INPUT	AIR STD IRC HRC	= - - -	= - - -	To AIR Band To STD Band To IRC Band To HRC Band

Turning the VOD1022 On or Off

1. Sliding the screen release lock in the direction of the arrow will unlock the LCD screen and it will drop down slightly. Pivot the screen downward until a comfortable viewing angle is reached. The internal friction will hold the screen in position while the system is in use.
2. Pressing the power button on the unit or the remote control will turn the system on or off alternately. When in use the internal backlighting will illuminate the controls.
3. After the unit has been turned on and is displaying a picture, adjust the viewing angle by pivoting the screen to optimize the picture quality.
4. Remember to turn the unit off and pivot the LCD to the locked position when not in use.

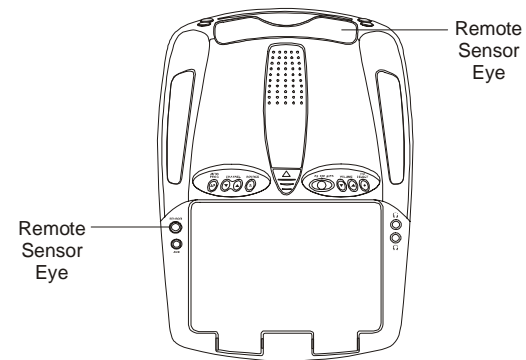
Overhead Dome Lights

The lights integrated into the VOD1022 are controlled by a three position slide switch. Sliding the switch to the on position will turn the lights on. The off position will prevent the lights from turning on at all times, and the auto position will allow the lights to turn on and off with the vehicle's interior lighting. Refer to the Installation Manual for the wire connections. Do not leave the vehicle unattended with the dome light switch in the on position, as this could result in a discharged battery.



Remote Sensor

The VOD1022 incorporates two Infrared sensors which relay signals from the remote control to allow the unit to be controlled simply by pointing its remote control at the remote sensor eye. The repeater function allows control of auxiliary equipment such as an Audiovox Video Cassette Player. The infrared sensor can relay signals from most manufacturer's remote controls to its respective component connected to the AV1 input. In this case you must use the remote control supplied with the component.



Accessories

Wireless Headphones

The VOD1022 includes a built-in infrared transmitter for use with Audiovox wireless headphones (P/N IR2CHS). The volume can then be adjusted using the controls on each headset. The wireless headphones must be used within a line of sight from the transmitter, as infrared transmissions, like visible light travel only in a straight line. See the documentation accompanying your Audiovox wireless headphones.

IR2 Input

Any line level audio source may be connected to this input (Satellite Radio, CD Changer etc). The audio program connected to the IR2 input can be received on the B channel of the dual channel wireless headphones (P/N IR2CHS).

Headset Special Features

- Automatic Level Control prevents input signal over loading.
- Uses high frequency infrared light to assure a clean signal for clear reception.

Wired Headphones

There are two 1/8" headphone jacks on the VOD1022 that can be used with any standard wired stereo headphones. These jacks are controlled by the volume up / down buttons on the VOD1022 and the remote control.

Wired FM Modulator

The VOD1022 is equipped with an RF modulator, that allows you to listen to the VOD1022 audio signal by tuning your vehicle's radio to the selected frequency, (88.3, 88.7, 89.1, 89.5, 89.9, 90.3MHz). This feature is accessed by using either the FM transmitter buttons on the remote (On/Off, Source Select, Channel Select) or the FM Select button on the unit. Whenever the RF modulator is on, broadcast reception on the vehicles radio will be poor. Switching off the FM modulator will allow normal radio reception.

AV1 Input

The video inputs may be connected to a Video cassette Player (VCP), video game system, or any other audio / video devices. To access the A/V inputs, turn the VOD1022 on and press the source button on the VOD1022 or the Source button on the remote control until "AV1" is displayed on the screen. Turn the video source component on with its power button or remote control. The VOD1022 is now ready to play the audio and video signals from the source connected to AV1 input.

AUX Input

Using the supplied A/V Adapter Cable (P/N 112B3227) the VOD1022 will accept an audio / video input through the 1/8" jack located on the side of the unit. The audio / video device could be a video game system, video camera, or other input device.

Video Out

The VOD1022 provides a video output for an optional video monitor(s). (Refer to page 6 of the Installation Guide for more details.) This output will provide a video signal that duplicates the signal displayed by the VOD1022 to an additional monitor or video display. Please see your installer for more information.

DVD Basics

To get the optimum use out of the DVD section, make sure you read this section completely.

Regional Coding

Both the DVD player and DVD's are coded by region. These regional codes must match in order for the disc to play. If the codes don't match, the disc won't play. This unit's code is region 1. Other regional codes cannot be played in this unit. The unit will display "WRONG REGION."

Types of Discs your DVD will play

- DVD discs – DVD discs which contain video.
- Audio discs – Audio CDs contain musical or sound content only.
- MP3 discs – A disc that contains audio files (for example, a CD-R with downloaded MP3 files).
- VCD discs – VCD discs which contain video.

Loading and Playing Discs

Before you load a disc, make sure that it is compatible with the player.

Note: the following Discs CANNOT be used with this player :

- *MiniDisc*
- *Laserdisc*
- *CD-I, CD-ROM, DVD-ROM*

To load and Play a Disc

Press the Power button to turn the unit ON. Select DVD mode and insert the disc (Label Up) into the disc compartment.

Settings and Adjustments

This chapter describes how to set and how to adjust using the on-screen DVD SETUP menu.

Using the Setup Menu

Using the setup display, you can do the initial setup, adjust the picture display ratio (16:9 or 4:3) and set the various outputs. You can also select a language for the on-screen display, setup display and limit playback by children.

- 1) Press the SETUP button to display the “setup menu” on the display screen.
- 2) Select the main item you want using the cursor (▼▲) buttons, and then press the ► button to enter the submenu.

To Cancel Using the Setup Display

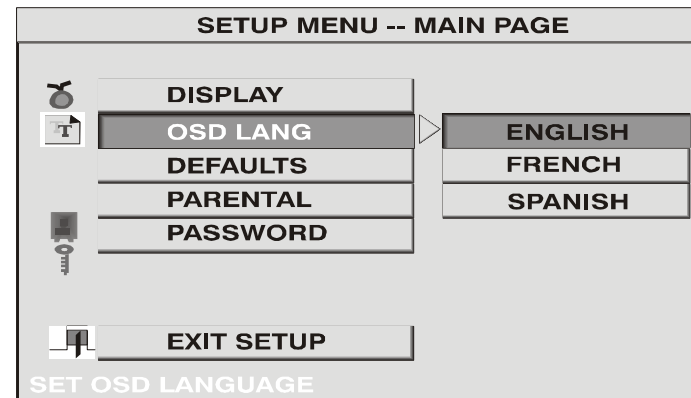
Press the SETUP button on the remote.

Setting the Language for On-Screen Display

Press the SETUP button and using the (▼▲) buttons select “OSD LANGUAGE”.

OSD (On-Screen Display) Language Menu

The OSD Language Menu allows the user to select the language for the on-screen display. Press ► and then use the (▼▲) buttons to select the desired language. The user can select either English, French or Spanish for the OSD language. Press enter to confirm the setting, then press ◀ to return to the main menu.



Settings for Display

Press the SETUP button and select Display. The DISPLAY SETUP allows you to adjust screen setting (aspect ratio) Press ► and then use the (▼▲) buttons to select the appropriate settings.

4:3/PS

This displays the wide picture on the screen with a portion of the left & right side removed.

4:3/LB

This displays the wide picture with black bands on the upper and lower portions of the screen.

16:9

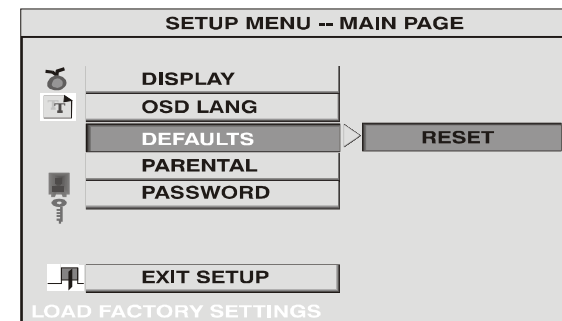
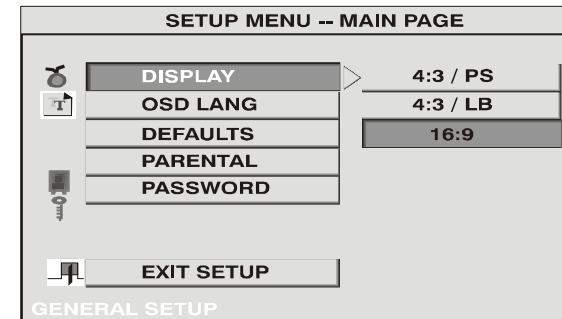
This displays a picture with black bands on the upper and lower portion of the screen.

Then press ENTER to confirm your selection. Then press ◀ to return to the main menu.

Defaults Settings

Press the SETUP button and select Defaults. The DEFAULTS SETUP allows you to reset ALL options to factory defaults. Press ► and then press Enter to implement the reset.

Note : This function will not effect the Parental setting.

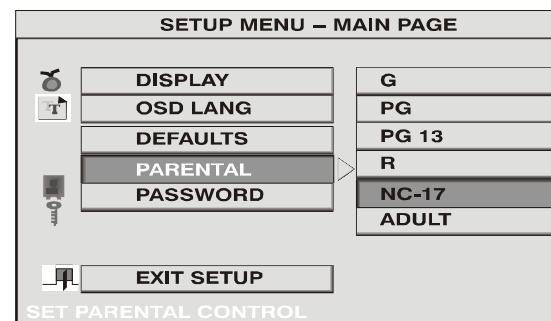


Settings for Parental (Parental Control)

This section of the SETUP Menu allows user to control the content of movie playback from G to Adult. The Parental Control function allows you to limit viewing to your preference.

1. Use the ▼▲ buttons to select from:

G (Children)
PG
PG 13
R
NC-17
ADULT (Adult)



Note: *The lower the value, the more strict the limitation.*

Press the Enter button to confirm the selection.

2. Input a password in 4 digits using the numeric buttons then press the Enter button.

NOTE: The Default Password is **3308**. This password is always effective even after you have selected your own password and changed it. To avoid the possibility of others using the default password to set the parental level and change the password, you can record this default password in another area and delete it from this manual. Some discs can be limited depending on the age of users while some discs can not.

Settings for Password (Parental Control Password)

Press the SETUP button and select PASSWORD. The PASSWORD SETUP allows you to change the parental control password. Press ► and then press Enter.

OLD PASSWORD

Input the old password or the default password (4 digits)

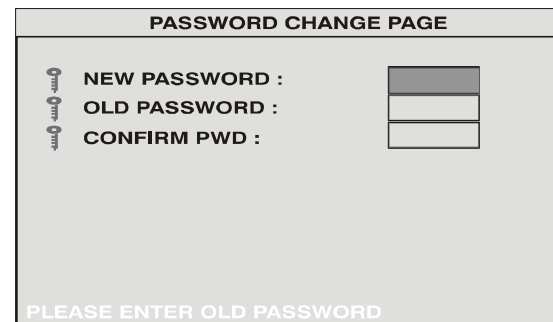
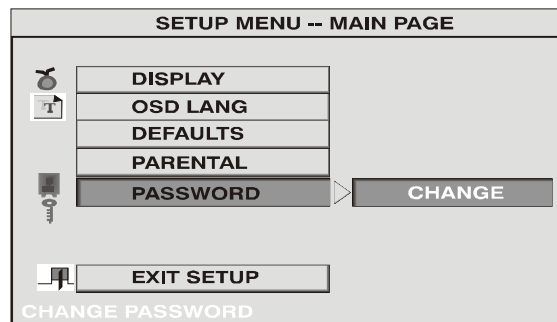
NEW PASSWORD

Input a new password (4 digits) using numeric buttons

CONFIRM PASSWORD

Confirm the new password by entering the same new password again.

Then press Enter to implement it.



Playing Audio CDs

When playing an audio CD, the DISPLAY Banner appears automatically. It displays the current track and the amount of the time for that track playing, the total amount of time on the disc and the current time running on the disc. Press the DISPLAY button on the remote to display the DISPLAY Banner. The options below show you what happens when you press the DISPLAY button.

Press DISPLAY 1x	<i>SINGLE ELAPSED</i> appears along with the current track playing and the time of that track.
Press DISPLAY 2x	<i>SINGLE REMAIN</i> appears along with the current track playing and the amount of time left for the track.
Press DISPLAY 3x	<i>TOTAL ELAPSED</i> appears along with the current track playing and the total time the disc has been playing.
Press DISPLAY 4x	<i>TOTAL REMAIN</i> appears along with the current track playing and the amount of time left on the CD.
Press DISPLAY 5x	Turns off the DISPLAY Banner.

Using the REPEAT Feature

The default mode for the Repeat feature is OFF. Pressing REPEAT consecutively changes the repeat options:

- *REP-ONE*- repeats the track that is playing.
- *REP-ALL*- repeats the disc that is playing.
- *REPEAT OFF*

As you toggle through the options, the repeat option changes at that time. The tracks, for example, repeats once that tracks has ended. The selected repeat option loops repeatedly until you turn it off.

Playing MP3 Discs

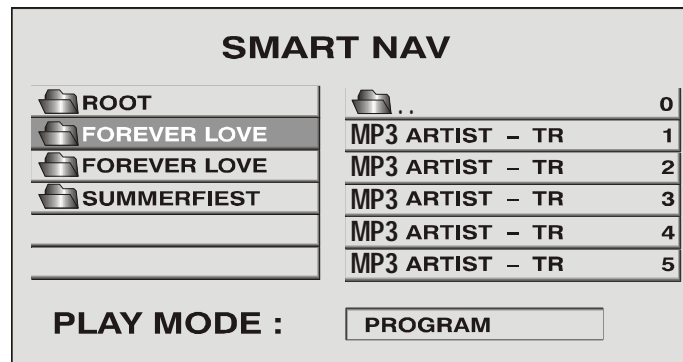
MP3 is a format for storing digital audio. An audio CD-quality song can be compressed into the MP3 format with very little loss of quality, while taking up much less space. CD-R discs that have been encoded in MP3 format can be played on your DVD player.

Press the DISPLAY button on the remote to show the DISPLAY Banner. The options below show you what happens when you press the DISPLAY button.

Press DISPLAY 1x *TIME REMAIN* appears along with the amount of time left in the song that is playing. *TIME REMAIN* and the time that is left will remain on the screen until you press DISPLAY again.

Press DISPLAY 2x *TIME ELAPSED* appears along with the amount of time the song has played. *TIME ELAPSED* and the time will remain on the screen until you press DISPLAY again.

Press DISPLAY 3x *OFF* appears and the display will no longer be displayed.



Selecting Folders and Songs

When an MP3 disc is inserted in the player, the Smart Nav screen appears automatically. You can change folders and songs through Smart Nav. The DVD player plays the songs in order they were burned on to the disc.

1. If a disc is playing, press STOP. Press the up or down arrow button to go through the folder list on the right side of the Smart Nav screen.
2. Once the folder you want is highlighted, press Enter (the folder list shifts to the left side of the screen and the songs in the folder appear on the right).
3. Press the up or down arrow button to go through the song list and highlight the song you want. Press Enter to begin playback of the highlighted song.

Skipping Songs

Use the Next (▶▶|) button on the remote control to move to the next song. Use the Previous (|◀◀) button to move to the beginning of the currently playing song. Press the ◀◀ button 2 times to move to the previous song.

Using The Repeat Feature

1. SINGLE : Play a selected song.
2. FOLDER : Plays the folder in the order the songs were recorded.
3. REP_ONE : Repeats the song that is playing.
4. FOLDER REP : Repeats the folder that is playing.
5. DISC : Plays the entire disc.
6. DISC REP : Repeats the songs in the disc.
7. DISC SCAN : Plays the song for 10 second for each song in the disc.

Troubleshooting

PROBLEM	SOLUTION
Poor in vehicle radio reception (FM modulator installed)	<ul style="list-style-type: none"> • Check the condition of the vehicle's radio antenna. • Verify that the antenna is fully raised. • If an wired FM modulator has been installed, verify that it is turned OFF by using the remote.
IR sensor inoperative	<ul style="list-style-type: none"> • Verify that the batteries in the remote are fresh. • Verify that the remote sensor eye is not obstructed. • Verify that the infrared transmitter is affixed over the sensor eye of the component to be controlled.
Disc won't play	<ul style="list-style-type: none"> • Insert a disc with the label side facing up. • Check the type of disc you put into disc tray. This DVD player only plays DVD's, audio CDs and MP3s. • Both the unit and the disc are coded by region. If the regional codes don't match, the disc can't be played. This DVD player is Region Number 1.
Play starts, but then stops immediately	<ul style="list-style-type: none"> • The disc is dirty. Clean it. • Condensation has formed. Allow player to dry out.

PROBLEM	SOLUTION
No sound or distorted sound	<ul style="list-style-type: none"> • Make sure your DVD player is connected properly. Make sure all cables are securely inserted into the appropriate jacks. • If you are using the IR headphones, make sure you turn on the IR power. • Make sure the Modulator is ON and the proper Frequency has been selected.
Can't advance through a movie	<ul style="list-style-type: none"> • You can't advance through the opening credits and warning information that appears at the beginning of movies because the disc is programmed to prohibit that action.
The icon (⏏) appears on screen	<p>The feature or action cannot be completed at this time because:</p> <ol style="list-style-type: none"> 1. The disc's software restricts it. 2. The disc's software doesn't support the feature (e.g., angles) 3. The feature is not available at the moment. 4. You've requested a title or chapter number that is out of range.

<u>PROBLEM</u>	<u>SOLUTION</u>
Picture is distorted	<ul style="list-style-type: none">• The disc might be damaged. Try another disc.• It is normal for some distortion to appear during forward or reverse scan.
No forward or reverse scan	<ul style="list-style-type: none">• Some discs have sections that prohibit rapid scanning or title and chapter skip.• If you try to skip through the warning information and credits at the beginning of a movie, you won't be able to. This part of the movie is often programmed to prohibit skipping through it.

Replacement Parts		Specifications	
Remote Control	136B3447	LCD Backlighting	Edge Light Tube
		Resolution	800 x 480
		Pixels	1,152,000
		Operation Temperature	32 -140° F (0 - 60° C)
		Storage Temperature	-4 - 176° F (-20 - 80° C)
		Backlight life	10,000 Hours
		Video Display System	NTSC / PAL
		Headphone Audio Output	0.03W @ 32 ohms
		Video Output	1.0Vp-p @ 75 ohms
		Power Source	12V DC



12 MONTH LIMITED WARRANTY

Applies to Audiovox Mobile Video Products

AUDIOVOX ELECTRONICS CORP. (the Company) warrants to the original retail purchaser of this product that should this product or any part thereof, under normal use and conditions, be proven defective in material or workmanship within 12 months from the date of original purchase, such defect(s) will be repaired or replaced with reconditioned product (at the Company's option) without charge for parts and repair labor.

To obtain repair or replacement within the terms of this Warranty, the product is to be delivered with proof of warranty coverage (e.g. dated bill of sale), specification of defect(s), transportation prepaid, to the Company at the address shown below.

This Warranty does not extend to the elimination of externally generated static or noise, to correction of antenna problems, to costs incurred for installation, removal or reinstallation of the product, or to damage to tapes, discs, speakers, accessories, or vehicle electrical systems.

This Warranty does not apply to any product or part thereof which, in the opinion of the Company, has suffered or been damaged through alteration, improper installation, mishandling, misuse, neglect, accident, or by removal or defacement of the factory serial number/bar code label(s). THE EXTENT OF THE COMPANY'S LIABILITY UNDER THIS WARRANTY IS LIMITED TO THE REPAIR OR REPLACEMENT PROVIDED ABOVE AND, IN NO EVENT, SHALL THE COMPANY'S LIABILITY EXCEED THE PURCHASE PRICE PAID BY PURCHASER FOR THE PRODUCT.

This Warranty is in lieu of all other express warranties or liabilities. ANY IMPLIED WARRANTIES, INCLUDING ANY IMPLIED WARRANTY OF MERCHANTABILITY, SHALL BE LIMITED TO THE DURATION OF THIS WRITTEN WARRANTY. ANY ACTION FOR BREACH OF ANY WARRANTY HEREUNDER INCLUDING ANY IMPLIED WARRANTY OF MERCHANTABILITY MUST BE BROUGHT WITHIN A PERIOD OF 24 MONTHS FROM DATE OF ORIGINAL PURCHASE. IN NO CASE SHALL THE COMPANY BE LIABLE FOR ANY CONSEQUENTIAL OR INCIDENTAL DAMAGES FOR BREACH OF THIS OR ANY OTHER WARRANTY, EXPRESS OR IMPLIED, WHATSOEVER. No person or representative is authorized to assume for the Company any liability other than expressed herein in connection with the sale of this product.

Some states do not allow limitations on how long an implied warranty lasts or the exclusion or limitation of incidental or consequential damage so the above limitations or exclusions may not apply to you. This Warranty gives you specific legal rights and you may also have other rights which vary from state to state.

U.S.A. : AUDIOVOX ELECTRONICS CORPORATION, 150 MARCUS BLVD., HAUPPAUGE, NEW YORK 11788 • 1-800-645-4994

CANADA : CALL 1-800-645-4994 FOR LOCATION OF WARRANTY STATION SERVING YOUR AREA

© Copyright 2004 Audiovox Electronics Corp. 150 Marcus Blvd. Hauppauge, NY 11788



128-7094

128-7094

30 of 31

Free Manuals Download Website

<http://myh66.com>

<http://usermanuals.us>

<http://www.somanuals.com>

<http://www.4manuals.cc>

<http://www.manual-lib.com>

<http://www.404manual.com>

<http://www.luxmanual.com>

<http://aubethermostatmanual.com>

Golf course search by state

<http://golfingnear.com>

Email search by domain

<http://emailbydomain.com>

Auto manuals search

<http://auto.somanuals.com>

TV manuals search

<http://tv.somanuals.com>