



**Installation Instructions
Model CCDF
Color Camera External Mount**

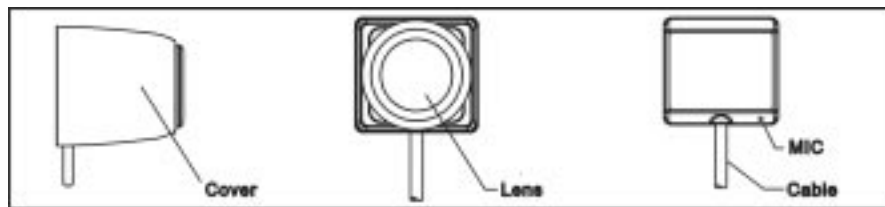


CCDF FEATURES:

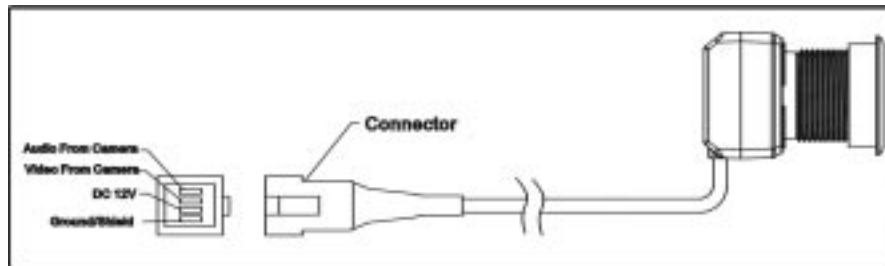
- High Resolution, 1/3" CCD Color Camera
- Compact Zinc Alloy Die Cast Body
- Waterproof Housing
- Waterproof Microphone
- Adjustable Mounting Angle
- Wide Angle Lens
- Flush Mount or Surface Mount

128-6951
1 of 12

Color Camera View:



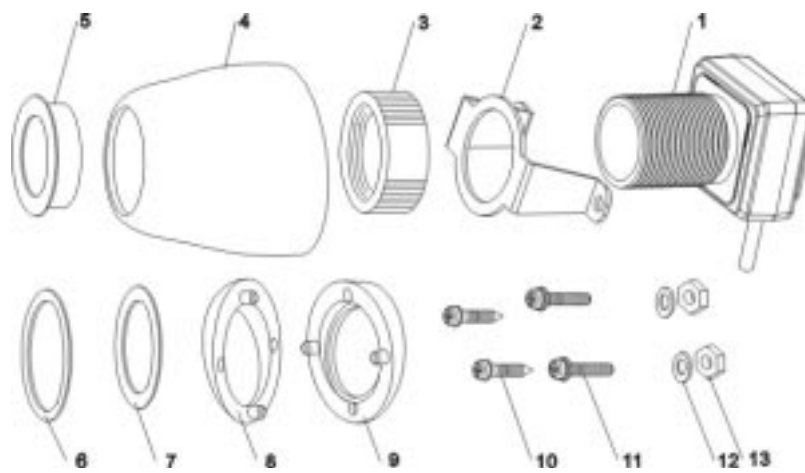
Cable Connector End View:



Specifications:

1. Signal System: NTSC
2. Voltage: DC12V
3. Current: 80mA
4. Image Sensor: 1/3" CCD Color Sensor
NTSC: 510 X 492 picture elements
5. Horizontal Definition: 420 Lines
6. Viewing Angle: 120 degrees
7. Minimum Illumination: 0.8 LUX
8. Outer Dimensions: 1.18"(W) x 1.10"(H) x 1.65"(D)
9. Weight: 2.5 Oz

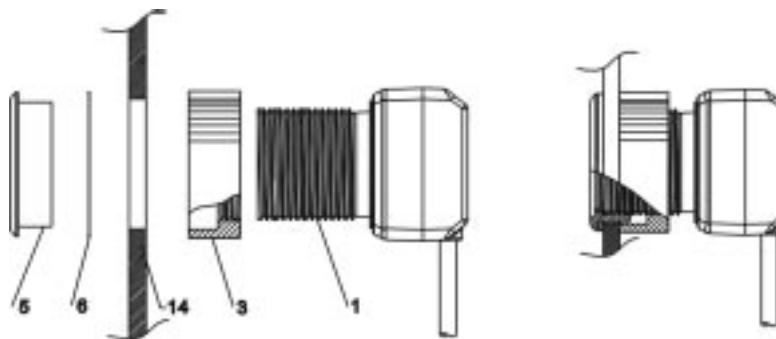
Contents:



Contents Description:

- | | |
|------------------------|----------------------|
| 1. Camera: 1 | 8. Slant Washer 1: 1 |
| 2. Support Bracket: 1 | 9. Slant Washer 2: 1 |
| 3. Lock Nut: 1 | 10. Tapping Screw: 2 |
| 4. Protective Cover: 1 | 11. Combine Screw: 2 |
| 5. Top Cover: 1 | 12. Washer: 2 |
| 6. Flat Washer 1: 1 | 13. Docking Nut: 2 |
| 7. Flat Washer 2: 1 | |

Flush Mount



Note: 1. Camera
6. Flat Washer 1

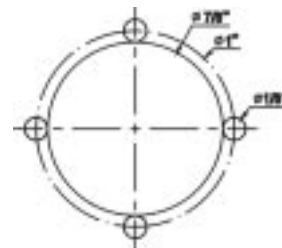
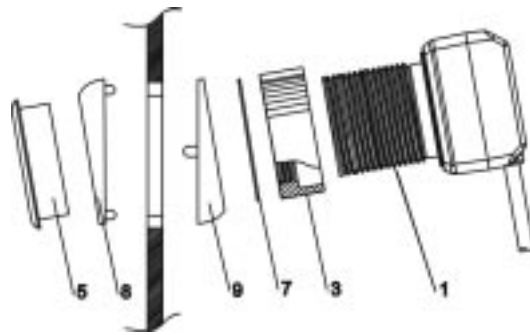
3. Lock Nut
14. Mounting Plate

5. Top Cover

Flush Mount Installation:

1. Select a suitable mounting location in the rear center of vehicle. Check behind panel for wire routing access and confirm that the drill will not damage any existing components. Use a 7/8" hole saw to drill the mounting hole.
2. Screw the lock nut with the threaded side toward the camera body in the showed direction, then put the camera neck through the mounting hole with the lens exposed and wire cable facing down.
3. Place the flat washer 1 (# 6) and top cover (# 5); tighten the top cover (# 5) to the further location along the camera neck.
4. Hold the top cover by hand and tighten the lock nut in towards the top cover (# 5) with the camera cable downwards.
5. Route the camera cable thru an existing grommet into the vehicle.
6. Connect the camera cable to the extension cable and route towards the monitor.

Angle Flush Mount



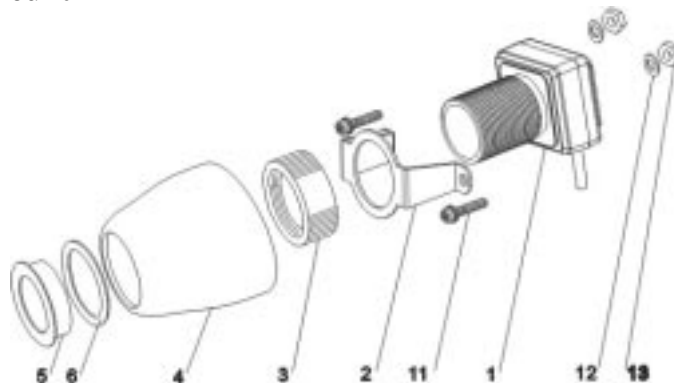
Size of Mounting Holes
(See the Attached Page)

- Note:**
- | | |
|-------------------|-------------------|
| 1. Camera | 3. Lock Nut |
| 5. Top Cover | 7. Flat Washer 2 |
| 8. Slant Washer 1 | 9. Slant Washer 2 |

Angle Flush Mount Installation:

1. Select a suitable mounting location in the rear center of vehicle. Check behind panel for wire routing access and confirm that the drill will not damage any existing components. Drill four 1/8" positioning holes and one 7/8" mounting hole at the mounting location according to the drawing of *Size of Mounting Holes*.
2. Screw the lock nut (# 3) and the flat washer 2 (# 7) with the non-threaded side to the camera neck in the showed direction.
3. Mount the slant washer 2 (# 9) to the interior mounting surface.
4. Place the camera neck through the pervious drilled hole with the lens exposed. Then place the slant washer 1 (# 8) to the exterior mounting surface.
5. Tighten the top cover (# 5) towards the camera body.
6. Hold the top cover (# 5) by hand and tighten the lock nut (#3) towards the topcover (# 5) with the camera cable downwards.
7. Route the camera cable thru an existing grommet into the vehicle.
8. Connect the camera cable to the extension cable and route towards the monitor.

Surface Mount



Note: 1. Camera 2. Support Bracket 3. Lock Nut
4. Protective Cover 5. Top Cover 6. Flat Washer 1
11. Combine Screw 12. Washer 13. Docking Nut

Surface Mount Installation:

1. Locate suitable mounting location in the rear center of the vehicle and use the support bracket (# 2) as a template to mark and drill two 5/32" holes on the mounting location.
2. Put the support bracket (# 2) onto the camera neck, then screw the lock nut along the camera neck to secure the bracket (# 2) to the camera body (# 1) in the showed direction.
3. Screw the combine screws (or tapping screws) into the holes to attach the camera support bracket to the vehicle with the camera cable facing downwards.
4. Place the protective cover (# 4) on the support bracket, then place the flat washer 1 (# 6) and top cover (# 5) on the camera neck. Tighten the top cover (# 5) to the further location along the camera neck towards the camera body.
5. Route the camera cable thru an existing grommet into the vehicle.
6. Connect the camera cable to the extension cable and route towards the monitor.



For Customer Service
Visit Our Website At
www.audiovox.com
Product Information, Photos,
FAQ's Owner's Manuals

© 2004 Audiovox Electronics Corp., 150 Marcus Blvd., Hauppauge, N.Y. 11788

128-6951

128-6951
12 of 12

Free Manuals Download Website

<http://myh66.com>

<http://usermanuals.us>

<http://www.somanuals.com>

<http://www.4manuals.cc>

<http://www.manual-lib.com>

<http://www.404manual.com>

<http://www.luxmanual.com>

<http://aubethermostatmanual.com>

Golf course search by state

<http://golfingnear.com>

Email search by domain

<http://emailbydomain.com>

Auto manuals search

<http://auto.somanuals.com>

TV manuals search

<http://tv.somanuals.com>