



## Model APS 750a Installation Manual

# 4 Channel Remote Car Starter With Full Feature Alarm System Installation Instructions

This Unit Is Intended For Installation In Vehicles With  
12 Volt Negative Ground Electrical Systems,  
Gasoline Engines, And Automatic Transmissions Only.

### Kit Contents:

- APS-750a Control Module
- (2) - Three Button Anti Code Grabbing Transmitters
- 4 Channel Code Learning Receiver
- On Board Extended Range Antenna
- Six Tone Multi Tone Siren
- (1) - Multi Pin Input/Output Harness
- (1) - Six Pin Power Harness
- (1) - Four Pin Auxiliary Output Harness
- (1) - Two Pin LED Indicator
- (1) - Two Pin Valet / Programming Switch
- (1) - Two Pin Control Switch
- (1) - Four Pin Shock Sensor Harness
- (1) - Two Pin Door Lock Harness
- (1) - Dual Stage Shock Sensor
- (1) - Starter Inhibit Relay and Socket
- (2) - 30 Amp In-line Fuse Holders With Fuses
- (1) - Pin Switch Hardware Bag
- (2) - Under Hood Caution Labels
- (1) - Installation Manual
- (1) - Operator's Manual
- (1) - Limited Warranty
- (2) - Window Decals

The APS-750a Remote Start/Alarm System is designed to be used with Automatic Transmission Vehicles Only! The unit provides no output for glow plug pre-heat and may not be desirable for diesel vehicles. If the diesel engine has a instant fire, (no glow plug pre-heat system), a tach signal input, and an Automatic Transmission, this unit may be used. For diesel applications, consult your dealer for the type of ignition system in your particular vehicle.

## **INSTALLATION OF THE MAJOR COMPONENTS:**

### **CONTROL MODULE:**

Select a mounting location inside the passenger compartment (up behind the dashboard). The mounting location selected must be within 24" of the ignition switch wiring harness to allow connection of the 6 pin main wiring harness.

Be certain that the chosen location will not interfere with proper operation of the vehicle. Avoid mounting the module to or routing the wiring around the steering shaft/column, as the module or wiring may wrap around or block the steering wheel preventing proper control of the vehicle. Secure the module in the chosen location using cable ties or screws as necessary.

Do Not Mount The Module In The Engine Compartment, as it is not waterproof.

### **SIREN:**

Select a location in the engine compartment that is not accessible from below the vehicle. The selected location must be clear of hot or moving parts within the engine compartment. The siren must be pointed downward to prevent water retention and the flared end must be pointed away from and out of the engine compartment for maximum sound distribution. Before securing the siren, check behind your chosen location to assure that the mounting screws will not penetrate any factory wiring or fluid lines. Secure the siren mounting bracket using #8 self tapping screws or by first using the mounting bracket as a template, scribe or mark the three bracket mounting holes. Drill the three marked holes using a 1/8" drill bit, then mount the siren using #8 sheet metal screws.

### **HOOD AND TRUNK PIN SWITCHES:**

The pin switches included in this package are intended for protecting the hood and trunk areas of the vehicle. In all cases, the switch must be mounted to a grounded metal surface. When the pin switch is activated, (hood/trunk open), it will supply a ground to the input wire activating the alarm. In addition, the hood switch is required for the safety shut down of the remote start unit. If the vehicle is being worked on, this hood switch prevents the remote start activation even if the RF command to start is issued. This switch must be installed in all applications. Failure to do so may result in personal injury or property damage. Mount the switches in the hood and trunk locations away from water drain paths. If necessary, the included brackets may be used to move the switch away from rain gutters or allow mounting to the firewall behind the hood seal. In both cases the switch must be set up to allow the hood or trunk door to depress the switch at least 1/4 inch when the hood or trunk is closed and fully extended when the hood or trunk is opened. For direct mounting, a 1/4 inch hole must be drilled. Carefully check behind the chosen location to insure the drill will not penetrate any existing factory wiring or fluid lines. Drill a 1/4" hole in the desired location and thread the pin switch into it using a 7/16" nut driver or deep well socket. If using the mounting bracket, first secure the bracket to the desired location and secure the pin switch in the pre-threaded mounting bracket hole.

### **DASH MOUNTED L.E.D.:**

The small Red LED included in the kit will serve as a visual indicator of the alarm's status and provide a visual deterrent to a potential thief. The LED also provides important feed back information during the transmitter and feature program modes. The LED should be installed in the dash in an area highly visible so that it may be seen from the driver's seat as well as from outside the vehicle. Inspect behind the chosen location to insure that the drill will not penetrate any existing factory wiring or fluid lines. Carefully drill a 1/4" hole in the desired location and pass the connector end of the LED through the hole and toward the control module. Press the LED firmly into place until it is fully seated in the mounting hole.

**THE RANGE EXTENDER ANTENNA:**

The range extender antenna provided with this unit allows routing from below the dash board for maximum operating range. Choose a location above the belt line (dashboard) of the vehicle for best reception. Special considerations must be made for windshield glass as some newer vehicles utilize a metallic shielded window glass that will inhibit or restrict RF reception. In these vehicles, route the exposed, (non shielded) end toward a rear window location for best reception. Secure the exposed end with double stick tape or instant stick glue. After securing the exposed end of the antenna with the tape or glue, we advise also securing a section of the antenna cable to a fixed support. This will prevent the antenna from dropping down in case the double stick tape is exposed to extreme heat which may loosen it's gummed surface.

**VALET/PROGRAM/MANUAL OVERRIDE SWITCH :**

Select a mounting location that is easily accessible to the operator of the vehicle. It is not necessary to conceal the switch however concealment is recommended as it offers a higher level of security. The switch can be mounted to the lower dash panel in the drivers area. Inspect behind the chosen location to insure that adequate clearance is allowed for the body of the switch, and also that the drill will not penetrate any existing factory wiring or fluid lines. Drill a 1/4" hole in the desired location and mount the switch by passing it through the panel from the underside. Secure the switch using the nut, star washer, and on/off face plate. It is suggested that the switch be oriented to allow the on position to be up toward the driver and the off position to be down or away from the driver. Route the switch's connector toward the control module.

**CONTROL SWITCH:**

Select a mounting location known and accessible to the operator of the vehicle. A lower dash panel, kick panel, or glove box is desirable. Inspect behind the chosen location to insure that adequate clearance is allowed for the body of the switch, and also that the drill will not penetrate any existing factory wiring or fluid lines. Drill a 1/4" hole in the desired location and mount the switch by passing it through the panel from the underside. Secure the switch using the nut, star washer, and on/off face plate. It is suggested that the switch be oriented to allow the on position to be up toward the driver and the off position to be down or away from the driver. Route the switch's connector toward the control module. Place the RED rubber boot, included in the kit, over the switch handle to differentiate this switch from the valet/program switch.

**SHOCK SENSOR:**

Select a centrally located, solid mounting surface for the shock sensor that will allow consistent operation from all areas of the vehicle. The selected location must be within 18" of the control module to allow routing and connecting of the 4 pin harness. Secure the shock sensor to the chosen location using two #8 self tapping sheet metal screws. The sensor can also be secured to an existing dash brace using cable tie straps. Whichever mounting method is used be sure to allow access to the sensitivity adjustment potentiometer for use later in the installation.

**STARTER INHIBIT RELAY:**

Select a mounting location within 12" of the ignition switch's low current start solenoid wire. Secure the relay to an existing harness in the chosen location using a cable tie around the relay's wiring harness. Caution! Do not wire tie the metal bracket to an existing wiring harness as vibration may cause chaffing and shorting damaging the factory wiring. If an existing harness is not available then secure the relay's metal mounting tab to an under dash metal brace with a #8 self tapping sheet metal screw. Wire the relay as per the diagram found later in this manual.

The APS-750a is to be used in vehicles with **AUTOMATIC TRANSMISSIONS** only! Although this combination Alarm/Remote Start unit is a sophisticated system with many advanced features, **IT MUST NOT** be installed into a vehicle with a manual operated transmission. Doing so may result in serious personal injury and property damage.

**IMPORTANT!**

DO NOT PLUG THE SIX PIN MAIN POWER HARNESS OR THE MULTI PIN INPUT / OUTPUT HARNESS INTO THE CONTROL MODULE UNTIL ALL CONNECTIONS TO THE VEHICLE HAVE BEEN MADE. AFTER SELECTING YOUR TARGET WIRES AS DEFINED BELOW, DISCONNECT THE NEGATIVE BATTERY CABLE FROM THE VEHICLE BATTERY PRIOR TO MAKING ANY CONNECTIONS.

**WIRING THE 6 PIN MAIN POWER HARNESS:**

**RED w/ WHITE Trace Wire:** + 12 volts Battery 1 Source

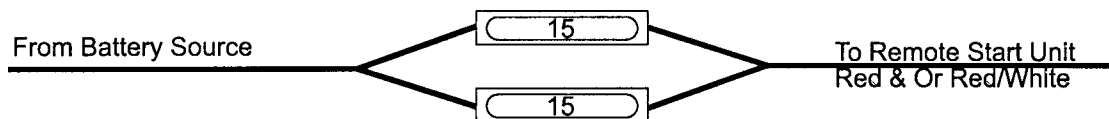
Connect this wire to a + 12 VDC constant source found at the vehicle's ignition switch using the 30 Amp fuse and holder provided.

**RED Wire:** + 12 Volts Battery 2 Source

Connect this wire to a + 12 VDC constant source found at the vehicle's ignition switch using the 30 Amp fuse and holder provided, but NOT the same vehicle wire as used by the battery 1 source. Most vehicles have more than one battery source supplying power to the ignition switch. Separate feed wires must be used for the Red and Red/White wires. If your vehicle does not have two battery feed wires at the ignition switch then it is possible to connect both wires to the vehicle's battery.

**IMPORTANT!**

It is the responsibility of the installing technician to determine the load factor of the vehicles electrical circuits when the vehicle is running and to adequately fuse the two power wires based on that load. If the vehicle, running under load with the air conditioned, heater blower motor, and accessories exceed 24 Amps continuous, we recommend that two fuses be used in combination on each power wire as shown below. For additional information see Tech Update issued 9/30/96.



**YELLOW Wire:** Starter Output

**Careful consideration for the connection of this wire must be made to prevent the vehicle from starting while in gear. Understanding the difference between a mechanical and an electrical Neutral Start Switch will allow you to properly identify the circuit and select the correct installation method. In addition you will realize why the connection of the safety wire is required for all mechanical switch configurations.**

Failure to make this connection properly can result in personal injury and property damage.

In all installations it is the responsibility of the installing technician to test the remote start unit and assure that the vehicle cannot start via RF control in any gear selection other than park or neutral.

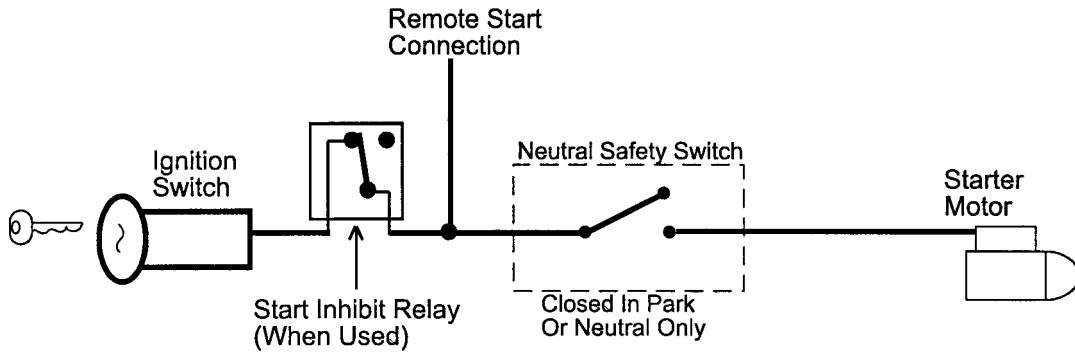
In both mechanical and electrical neutral start switch configurations, the connection of the Yellow wire will be made to the low current start solenoid wire of the ignition switch harness. This wire will have +12 volts when the ignition switch is turned to the start (crank) position only. This wire will have 0 volts in all other ignition switch positions.

**NOTE:** This wire must be connected to the vehicle side of the starter cut relay (when used). For the electrical neutral switch configuration, this connection must be made between the starter inhibit relay, ( when used ) and the neutral safety switch as shown in the following diagram.

Failure to connect this wire to the ignition switch side of the of the neutral safety switch can result in personal injury and property damage.

SEE NEUTRAL START SAFETY TEST FOR FURTHER DETAILS.

### YELLOW START WIRE DETAIL



#### BLUE Wire: Ignition 1 Output

Connect this wire to the ignition 1 wire from the ignition switch. This wire will show +12 volts when the ignition key is turned to the "ON" or "RUN" and the "START" or CRANK" positions, and will have 0 volts when the key is turned to the "OFF" and "ACCESSORY" positions.

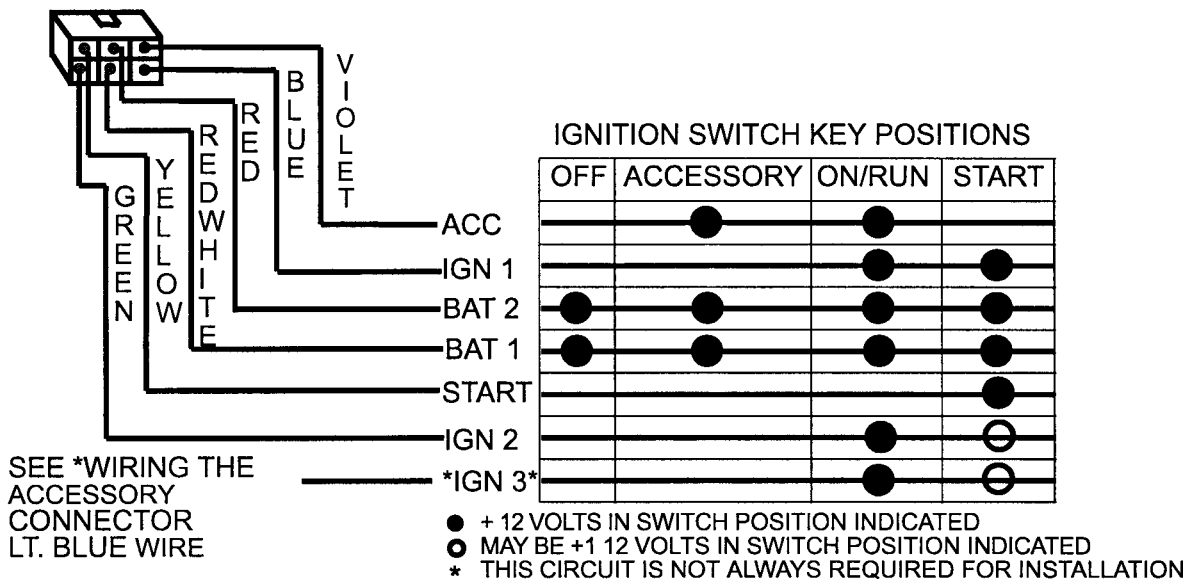
#### GREEN Wire: Ignition 2 Output

Connect this wire to the ignition 2 wire from the ignition switch. This wire will show + 12 volts when the ignition key is turned to the "ON" or "RUN" position and is some cases the "START" or CRANK" position. This wire will show 0 volts when the key is turned to the "OFF" and "ACCESSORY" positions.

#### VIOLET Wire: Accessory Output

Connect this wire to the Accessory wire from the ignition switch. This wire will show + 12 volts when the ignition switch is turned to the "ACCESSORY" or "ON" and "RUN" positions, and will show 0 volts when the key is turned to the "OFF" and "START" or "CRANK" positions.

### WIRING THE 6 PIN MAIN POWER HARNESS



## WIRING CONNECTIONS: Multi Pin Accessory Input/Output Harness

### White w/ Red Trace Wire: Parking Light Flasher Feed

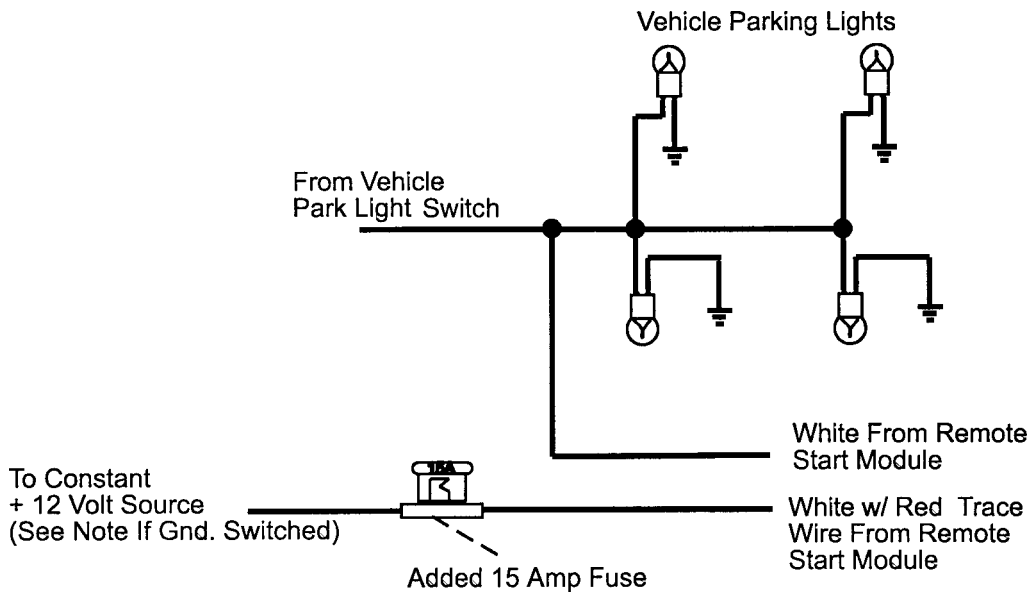
This wire is the common contact of the on board parking light flasher relay. If the vehicle you are working on has +12 volt switched parking lights, connect this wire to a fused + 12 volt source. (Max. 15 Amps)

**NOTE:** If the vehicle's parking lights are ground switched, connect this wire to chassis ground.

### White Wire: Parking Light Flasher Output

This wire is the normally open contact of the on board parking light flasher relay. Connect this wire to the vehicle parking light feed wire. See diagram below for details on wiring positive switched parking light circuits.

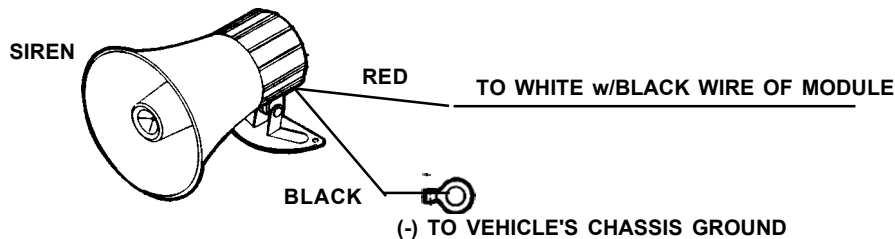
### Parking Light Wiring Detail



### White w/ Black Trace Wire: (+) Siren Output

This is the positive siren feed wire. Route this wire through a grommet in the firewall to the siren location. Connect the White w/ Black Trace wire to the Red wire of the Siren. Secure the Black wire of the Siren to a known chassis ground or solid clean metal surface.

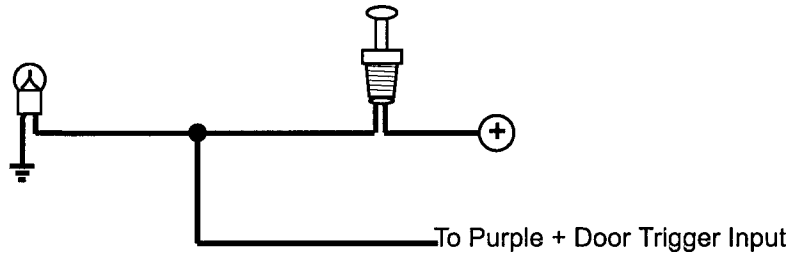
### Siren Wiring Detail



**Purple Wire: (+) Door Trigger Input**

If the vehicle's door courtesy light switches + 12 volts when the door is opened, (Most Fords and some Imports), you must connect this wire to the positive output from one of the vehicle's door pin switches. In most cases, the Purple wire will need to be connected to only one door switch no matter how many doors the vehicle has as most door lighting circuits are wired in parallel. See below for wiring details.

**Positive Door Switch Wiring Detail**

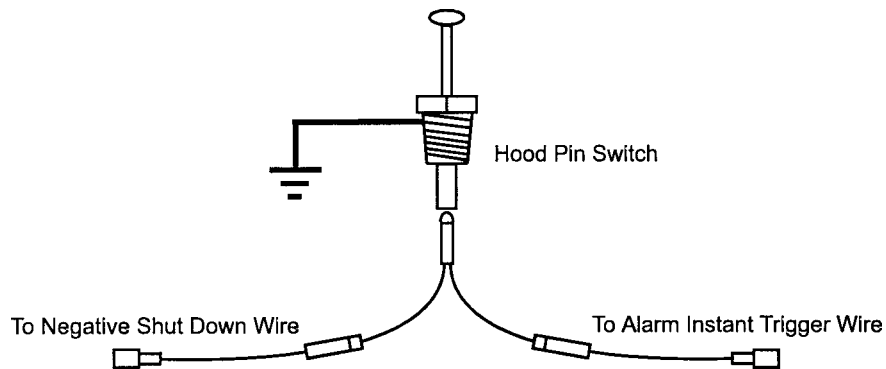


**Dark Green Wire: (-) Instant Trigger Input**

This is the instant on ground trigger input wire. This wire must be connected to the hood and trunk pin switches previously installed.

**Note:** This wire will be shunted when remote control channel 2 is accessed, (trunk release). This wire will remain shunted all the while there is ground present and for 5 seconds after the ground is removed. This allows the operator to open the trunk via the remote transmitter without having to first disarm the alarm system. See below for wiring detail.

**Hood Pin Switch Detail**



**Light Blue Wire:** Ignition 3 Output

This wire provides a 300mA ground output that becomes active 3 seconds before the Remote Start Unit initializes, and remains grounded while running plus an additional 4 seconds after the Remote Start Unit turns off. In all of the applications described below, a relay will be required.

The Light Blue wire can be used to accommodate the following situations:

**A. Shock Sensor By Pass:**

If there is a Non Plug in Shock Sensor used with the alarm system and it is not shunted during the Remote Start activation period, then vibration from the running vehicle can cause the alarm to trigger. In this case, connect the Light Blue Wire to terminal #86 of a external relay. Connect terminal# 85 of the relay to a fused + 12 volt battery source. Cut the shock sensor trigger wire and connect one end of the cut wire to terminal #30 and the other end of the cut wire to terminal #87a. Just before the Remote Start unit is activated, the relay contacts will open, preventing the shock sensor's operation until the Remote Start unit shuts off.

**B. Ignition 3 Output:**

Some newer vehicles use a third ignition wire which is required to start and keep the vehicle's engine running. If this is the case, connect the Light Blue wire to terminal #86 of an external relay. Connect terminal # 30 & # 85 to a fused + 12 volt battery source rated for a minimum of 25 Amp. Connect terminal # 87 to the third ignition wire in the vehicle.

**C. GM VATS Key Override:**

If the vehicle has the General Motors VATS system installed, you will need to by-pass the system while the vehicle is operating under the control of the Remote Start Unit. To Do This;

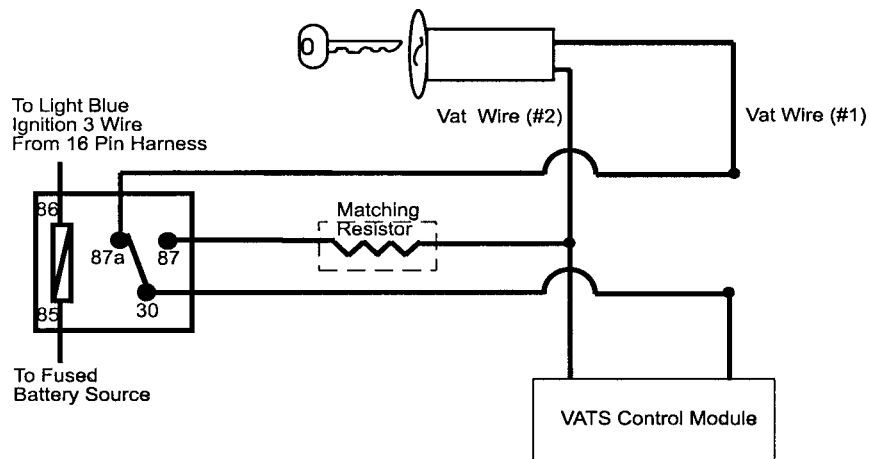
1. Measure the resistance of the resistor pellet on the ignition key then select a resistor within 5% of the key's value from the resistor pack supplied.
2. Locate the pair of VATS wires in the vehicle, usually a pair of thin gauge wires running from the ignition switch to the VATS control module.

**NOTE:** These wires are typically White w/ Black trace and Violet w/ Yellow trace, however in later model Cadillacs, they are run through an orange sleeve, and are either both Black, both Yellow, or both White wires. Consult the factory service manual for additional information.

3. Connect the Light Blue Wire from the Remote Start Unit to terminal #86 of an external relay. Connect terminal #85 of the relay to a fused + 12 volt battery source.
4. Cut (#1) wire (as shown), and connect the ignition switch side of the cut wire to terminal #87a of the relay. Connect the other side of the (#1) wire to terminal #30.
5. Connect the previously selected resistor from terminal #87 to the second (#2) wire (as shown).

**NOTE:** The above information and following diagram is for the GM VATS system only. For GM PASS LOCK System you will require the Audiovox AS-PASS II Module.

**General Motors VATS By-Pass Diagram**

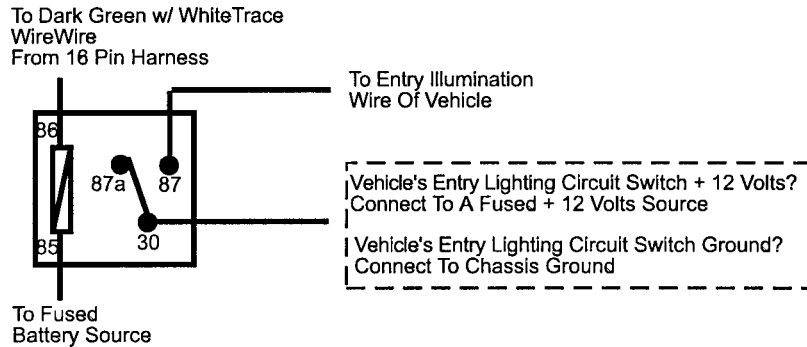




**Green w/ White trace Wire:** Entry Illumination Ground Output

This wire provides a 30 second ground output (300 mA Max.) whenever the remote is used to disarm the alarm or to unlock the doors and provides a continuous pulsed output whenever the alarm is triggered. This wire should be connected to an external relay, and wired to the vehicles interior entry lighting whenever the optional Interior Illumination circuit is desired. See below for relay wiring details.

**Entry Illumination Detail**

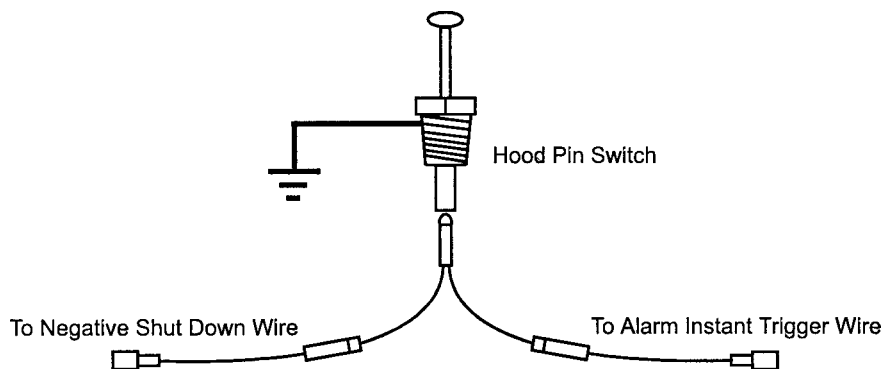


**Grey w/ Black Trace Wire:** Negative Inhibit Input

The Grey w/ Black Trace wire provides an instant shutdown for the Remote Start Control Module whenever it is grounded. Connect the Grey w/ Black trace wire to the hood pin switch previously installed. This wire must be routed through a grommet in the firewall and connected to the hood pin switch. If the pin switch is to be used with an alarm system, connect this wire using the diode assembly provided.

**IMPORTANT!** This connection is a safety wire and must be connected as shown and tested as specified. Failure to do so may result in personal injury or property damage. See detail of wiring in the following diagram. This wire may also be used if the vehicle brake light circuit switches ground to the brake lights. An isolation diode must be used for ground switched brake light circuits and must be connected to the output of the brake switch.

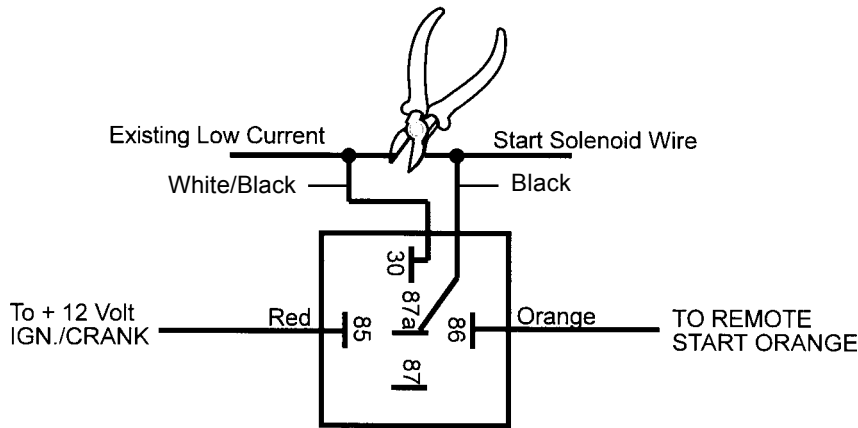
**Grey w/ Black Trace Negative Inhibit Safety Shut Down Detail**



**Orange Wire: Ground When Armed Output**

This wire provides a 300 mA ground output when the alarm circuit is armed to control the starter inhibit relay. Connect the Orange wire to terminal #86 (orange wire) of the relay provided. Connect terminal #85 (red wire) of the relay to an ignition wire in the vehicle that is +12 volts when the ignition switch is turned to the on and start positions and off when the key is off. Locate and cut the low current start solenoid wire found at the vehicles ignition switch harness. This wire will have +12 volts when the ignition key is moved to the start (crank) position and will have 0 volts in all other key positions. Connect one side of the cut wire to terminal #87a (Black wire) of the relay. Connect the other side of the cut wire to terminal #30 (White/Black wire) of the relay. See below for detail of wiring, also see Yellow Start wire detail for connection to vehicle considerations.

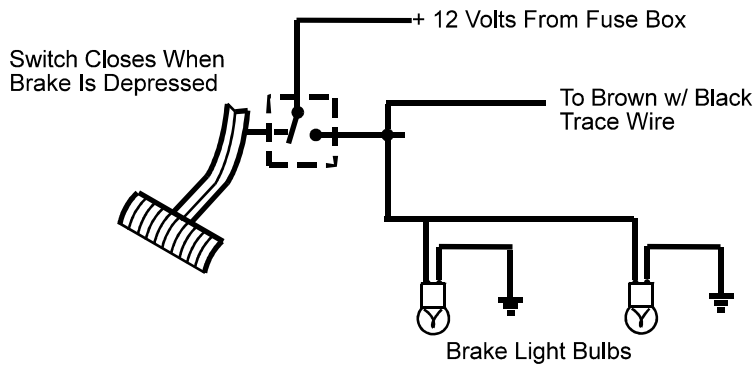
**Starter Inhibit Wiring Detail**



**Brown w/ Black Trace Wire: Positive Inhibit Input**

The Brown w/ Black Trace wire provides an instant shutdown for the Remote Start Control module whenever it gets +12 volts. If the Brake lights switch in the vehicle switches +12 volts to the brake light circuit, connect the Brown w/ Black trace wire to the output side of the brake switch. This will allow the Remote Start to shut down if an attempt is made to operate the vehicle without the key while running under the control of the Remote Start. In most vehicles, in order to shift into gear, the brake pedal must be depressed. The brake input will in turn cause the remote start unit to shut off. See detail in the following diagram for wiring the brake light circuit.

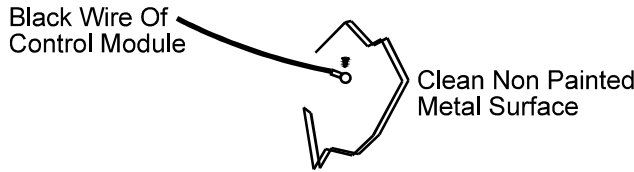
**Brake Switch Positive Shutdown Detail**



**Black Wire: Chassis Ground Source**

Connect the Black wire to a known vehicle ground source or to a solid clean metal part of the chassis. Be certain to remove any paint or grease and secure this wire with a self tapping screw and ring terminal.

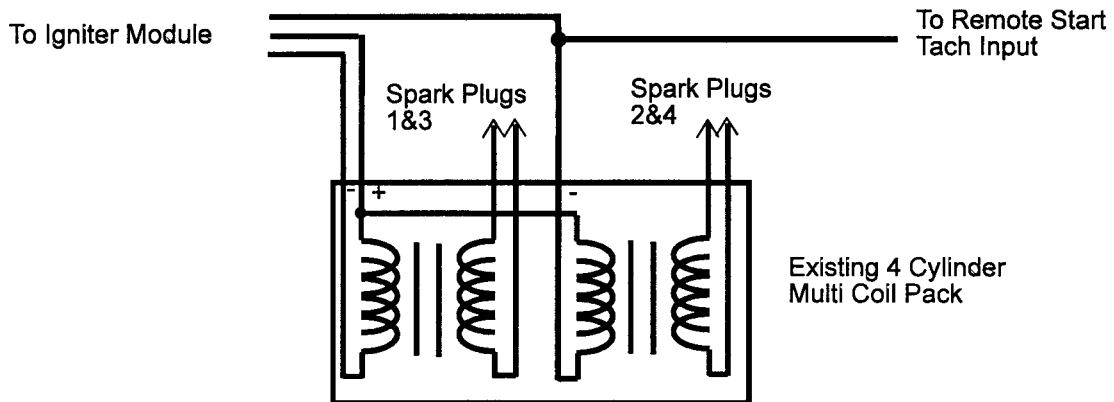
**Chassis Ground Connection Detail**



**Green w/ Orange Trace Wire: Tachometer Input Signal**

This wire will continually monitor the engine tach rate while the unit is under power of the Remote Start module. This wire will be routed to the vehicle ECM tach input or through the firewall into the engine compartment and connect to the negative side of the ignition coil. This Remote Start unit learns the tach rate of the vehicle and in most cases will operate properly from one multi coil pack regardless of the number of cylinders. If the vehicle has a single coil unit for each cylinder, it may be necessary to connect this wire to more than one cylinder for proper tach reference. See multi coil wiring detail shown later in this manual for additional information.

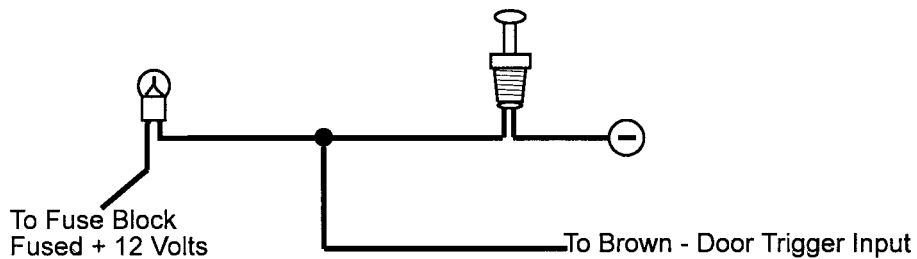
**Tachometer Input Wiring Detail**



**Brown Wire: Negative Door Trigger**

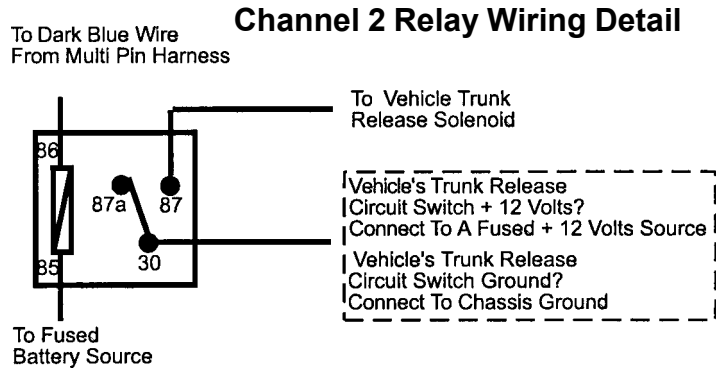
If the vehicle's door courtesy light switches ground when the door is opened, (Most GMs and Imports), you must connect this wire to the negative output from one of the vehicle's door pin switches. In most cases the Brown wire will need to be connected to only one door switch no matter how many doors the vehicle has as most door lighting circuits are wired in parallel. See below for wiring detail.

**Negative Door Switch Wiring Detail**



**Dark Blue Wire:** Delayed 300mA Pulsed Channel 2 Output

The Dark Blue wire supplies a 300mA ground pulsed output whenever channel two of the receiver is accessed. Pressing the pre-programmed transmitter button for three seconds will access channel two. This is a low current output and must be connected to a relay to supply power to the trunk release or the circuit you wish to control. Connect the Dark Blue wire to terminal # 86 of a VF45F11 P&B relay or equivalent. Connect terminal # 85 of the relay to a fused + 12 volt source. Connect the common, normally open, and normally closed contacts of the relay to perform the selected function of channel 2. See below for relay wiring detail.



**Green w/ Black Trace Wire:** 300mA Latched Channel 3 Output

The Green w/ Black Trace wire supplies a 300 mA switched output whenever channel three of the receiver is accessed. Pressing the pre-programmed transmitter button(s) will access channel three and will remain active for as long as the transmitter button(s) is held. This is a low current output and must be connected to a relay to supply power to the device you intend to control. Connect Green w/ Black Trace wire to terminal #86 of a VF45F11 P&B relay or equivalent. Connect terminal #85 of the relay to a fused + 12 volt source. Connect the common, normally open, and normally closed contacts of the relay to perform the selected function of the channel 3 output.

**WIRING THE 4 PIN AUXILIARY OUTPUT HARNESS**

The auxiliary 4 pin connector provides low current outputs to control various functions in the vehicle during different stages of the Remote Start unit's operation. Understanding these outputs and the time in which they occur will allow you to determine if they are needed for the particular vehicle you are working on as well as how to use them.

**Black w Blue Trace Wire:** Pulsed Ground Output Before Start

The Black w/ Blue Trace wire will provide a 300 mA pulsed ground output 3 seconds before the remote start unit activates. Typical use for this output would be to disarm a factory theft deterrent system to prevent false triggering of the factory alarm when the remote start unit engages.

**Black w/ Light Green Trace Wire:** Pulsed Ground Output After Start

The Black w/ Light Green Trace wire will provide a 300ma pulsed ground output after the vehicle is started under control of the remote start unit. Typically this wire will be used to re-lock the vehicle doors if the doors unlock automatically when the factory anti-theft system is disarmed.

**Black w/ Red Trace Wire:** Pulsed Ground Output After Shutdown

The Black w/ Red Trace wire will provide a 300 mA pulsed ground output after the remote start unit shuts down. This output will occur regardless of whether the circuit times out or is manually terminated. Typically this output will be used to re-lock the vehicle doors if the doors unlock automatically when the ignition circuit transitions to off.

**Black w/ Yellow Trace Wire:** Ground Output During Start (Crank)

The Black w/ Yellow Trace wire will provide a 300 mA ground output while the starter output of the remote start unit is active. This output can be used to activate the Crank Low/Bulb Test wire found in some GM vehicles. This wire is also referred to as the ECM wake up wire in some Chrysler vehicles.

**NOTE:** The outputs above are low current outputs and must be used with a relay if the circuit's requirement is more than 300 mA.

### 2 Pin Control Switch: (Red Connector)

The Black & Black w/White Trace wires loaded in the two pin red connector enable the operation of the Remote Start unit. When the Black w/ White Trace wire is grounded, the remote start unit is operable. When this wire is open from ground, the remote start is disabled. Route the twin lead Black & Black w/ White Trace wires from the control switch to the remote start unit and plug red two pin connector into the mating red two pin connector shell of the control module.

### 4 Pin Shock Sensor: (White Connector)

The Red (+12 volt), Black (ground), Blue (pre-detect) and Green (full trigger when armed) wires loaded into the white connector shell are the inputs/outputs of the shock sensor. Route the 4 wire harness from the shock sensor to the remote start control unit and plug the 4 pin white connector into the mating 4 pin connector shell of the control module. Note: While operating under the control of the remote start unit the shock sensor will be shunted (by-passed). Once the remote start shuts down, the shock sensor will be re-enabled.

### 2 Pin LED Harness: (White Connector)

The Red & Blue wires loaded into the two pin mini white connector control the anode and cathode of the dash mounted LED. Route the twin lead Red and Blue wires from the LED to the remote start control unit and plug the two pin connector into the mating white mini connector shell of the control module.

### 2 Pin Valet/Program Switch: (Blue Connector)

The Black & Grey twin lead wires loaded in the two pin blue connector are the ground supply and program/valet input of the Remote Start unit. When the Grey wire is grounded, under certain conditions, the unit will enter the valet mode. When the Grey wire is sequentially grounded under other conditions, the unit will enter the various program modes. Route the twin lead Black and Grey wires from the valet/Program switch to the remote start unit and plug the two pin connector into the mating blue connector shell of the control module. Refer to the remote programming, feature programming and function programming shown later in this installation guide for operation of the valet/program switch.

### 2 Pin Door Lock/Unlock Harness: (White Connector)

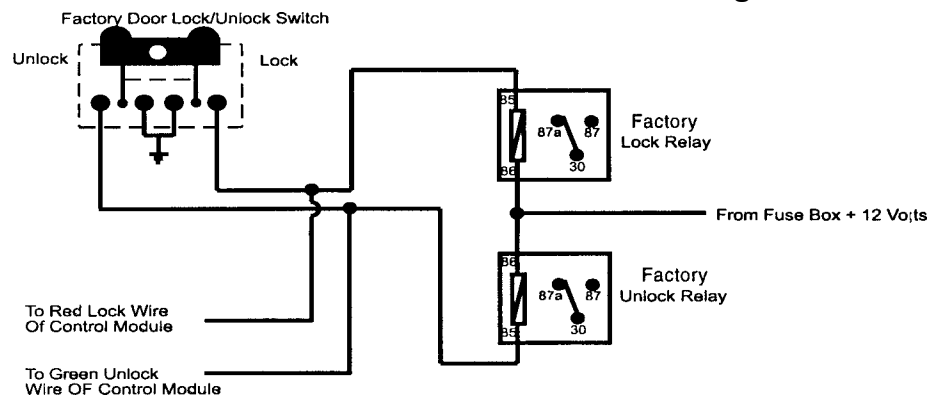
The Red & Green Door Lock/Unlock output wires provide either a pulsed ground or pulsed + 12 volts to control the vehicle door lock / unlock circuits. The output of these wires has a maximum switching capability of 300mA. Many vehicles today have factory door lock relays which can be connected directly to these outputs, however always confirm that the factory relays in your particular vehicle do not exceed the rated 300mA output of the units door lock/unlock circuit. Plug the two pin connector of the door lock/unlock harness into the mating connector shell of the control module. Determine the door lock circuit of the vehicle you are working on and wire according to the diagrams shown.

### 3 Wire Ground Switched Door Lock Circuits:

In this application, the Red wire of the two pin harness provides a ground pulse during the arming sequence, or pulsed ground lock output. Connect the Red wire to the low current ground signal wire from the factory door lock switch to the factory door lock relay.

The Green wire of the two pin harness provides a ground pulse during the disarming sequence, or pulsed ground unlock output. Connect the Green wire to the low current ground signal wire from the factory door unlock switch to the factory door unlock relay. See Below For Wiring Detail.

### 3 Wire Ground Switched Door Lock/Unlock Wiring Detail

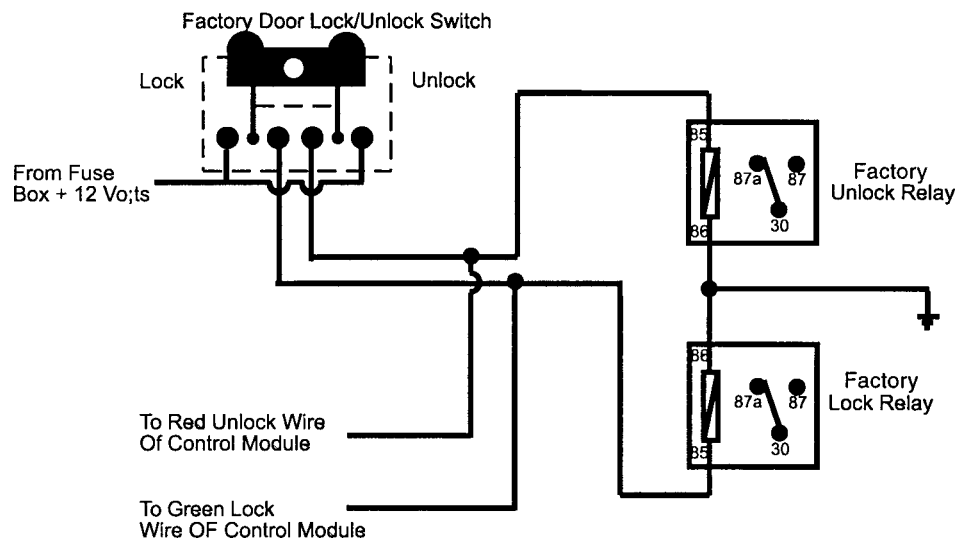


### 3 Wire Positive Switched Door Locks:

In this application, the Red wire of the two pin harness provides a + 12 volt pulse during the disarming sequence, or pulsed 12 volt unlock output. Connect the Red wire to the low current 12 volt signal wire from the factory door unlock switch to the factory door unlock relay.

The Green wire of the two pin harness provides a + 12 volt pulse during the arming sequence, or pulsed 12 volt lock output. Connect the Green wire to the low current 12 volt signal wire from the factory door lock switch to the factory door lock relay. See Below For Wiring Detail.

### 3 Wire Positive Switched Door Lock/Unlock Wiring Detail



**Note:** For connection to Four Wire Polarity Reversal, 5 Wire Alternating 12 Volts, And All Other Door Lock Circuits the Audiovox AS-9159 Door Lock Interface, (or equivalent 30 A automotive relays) must be used. Refer to the Audiovox Door Lock Wiring Supplement for proper wiring of these circuits.

### ALARM SELECTABLE FEATURES

**NOTE:** The Alarm Selectable Features and Remote Start Selectable Features programming steps following are based on transmitter button 1 being programmed for channel 1 and transmitter button 2 being programmed for channel 2.

**RF Programmable Features:**

Feature Selection	1 Chirp	2 Chirp	Default
First	1 Second Door Locks	3.5 Second Door Lock	1 Second
Second	Auto Lock On	Auto Lock Off	Auto Lock Off
Third	Auto Unlock On	Auto Unlock Off	Auto Unlock Off
Fourth	Passive Door Locks	Active Door Locks	Active Door Locks
Fifth	Passive Arming	Active Arming	Passive Arming

**To Program The Alarm's Selectable Features:**

	Action	System Response	LED Flash Pattern
	Turn the ignition switch on	No Response	
	Flip the valet/program switch on then off 3 times	1 Chirp-LED 1 Flash	
	Within 3 seconds, turn the ignition switch off and then on.	Short Chirp, then Long Chirp	
First	Press transmitter button 1 to change. Or	1 Chirp = 1 second Locks 2 Chirps = 3.5 second Locks	1 Flash Pause etc.
Second	Flip valet/program switch on then off Press transmitter button 1 to change. Or	2 Chirps = auto locks off 1 Chirp = auto locks on	2 Flash Pause etc.
Third	Flip valet/program switch on then off Press transmitter button 1 to change. Or	2 Chirps = auto unlock off 1 Chirp = auto unlock on	3 Flash Pause etc.
Fourth	Flip valet/program switch on then off Press transmitter button 1 to change. Or	2 Chirps = active locks 1 Chirp = passive locks	4 Flash Pause etc.
Fifth	Flip valet/program switch on then off Press transmitter button 1 to change. Or	1 Chirp = passive arming 2 Chirps = active arming	5 Flash Pause etc.
	Or Flip valet/program switch on then off	Exit Program Mode	
	Or Turn ignition switch off.	Exit Program Mode	

**NOTE: Once** you've entered the program mode DO NOT allow more than 15 seconds to pass between steps, or the programming mode will be terminated.

**TIMED START PROGRAM:**

The Remote Start unit has the ability to start the vehicle automatically at timed intervals. This feature is useful in extremely cold climates where starting the engine is the only means to keep the battery charged and fluids warm. The operator has the option to have the unit start every 2 or 4 hours for a maximum of 48 hours. Factory pre-set is to start at 4 hour intervals. To select 2 or 4 hour automatic start timer:

1. Start with the Enable switch (Red Handle) in the "On" Position.
2. Turn the ignition on then off.
3. Within 10 seconds of the key turning off, cycle the enable switch Off, On, Off, On ( 2 times) to select a 2 hour timed start interval. Cycle the enable switch Off, On, Off, On, Off, On, Off, On (4 times) to select a 4 hour timed start interval. The lights will flash and the siren will chirp 2X or 4X dependant upon 2 or 4 hour interval setting.

**NOTE:** Once selected, 2 or 4, this timer interval will remain in memory until it is manually changed. To change, the above sequence will have to be followed.

**TIMED START OPERATION:**

To begin the start timer, within 10 seconds of turning off the ignition switch, activate the RF command to start 2 times. (Press button two 4 times). The lights will flash and the siren will chirp 4 times. Indicating timed interval mode has been initiated. The vehicle will automatically start every 2 or 4 hours as programmed. To cancel the timed start mode start the vehicle either by RF or by the ignition key.

## REMOTE START SELECTABLE FEATURES

### RF Programmable Features:

Feature Selection	Park Lights Flash 1 x	Park Lights Flashes 2 x	Default	LED Pattern
First	RF start chirp confirm off	RF start chirp confirm on	Off	1 x Pause etc.
Second	10 minute run time	15 minute run time	10 Minutes	2 x Pause etc.
Third	Parking lights on steady	Parking lights flash	Steady	3 x Pause etc.
Fourth	(No function)	Tach operation	Tach	4 x Pause etc.
Fifth	(No function)	(No function)	-----	5 x Pauses etc.
Sixth	Ignition 2 off during crank	Ignition 2 on during crank	Off during crank	6 x Pause etc.
Seventh	Diagnostics off	Diagnostics on	Off	7 x Pause etc.
Eighth	(No function)	(No function)	-----	8 x Pause etc.

### To Program The Remote Start Selectable Features:

1. Start with the valet/program switch in the "Off" position.
2. Turn the ignition key to the On position.
3. Flip the valet/program switch On, Off, On, Off, On, then Off.
4. Immediately turn the ignition key Off then press transmitter button 2 for 1 second.
5. Immediately turn the ignition key back On.
6. Flip the valet/program switch On, Off, On, then Off. The siren will emit 2 short and 1 long chirp verifying you are in the feature program mode.
7. Use button 1 on the transmitter to advance to the feature you want to change. EXAMPLE- If you need to change selectable feature 3, press and release button 1 on the transmitter 3 times in succession. The parking lights will flash, and the siren will chirp 3 times confirming that selected feature 3 can be changed.
8. Use button 2 on the transmitter to change the selection of the programmable feature. If you are not sure what the setting for any feature is, press button 2 one time, the parking lights will flash once or twice indicating the features setting.

**NOTE:** Once you've entered the program mode DO NOT allow more than 15 seconds to pass between steps, or the programming mode will be terminated.

### Programming Tach Rate:

The APS-750a will learn the tach rate of the vehicle. To learn tach.

1. Start with the programming switch in the Off position.
2. Turn the ignition key to the On position.
3. Flip the valet/program switch On, Off, On, Off, On, then Off.
4. Immediately turn the ignition key Off.
5. Flip the valet/program switch On, then start the vehicle using the key.
6. When the unit senses the tach signal, the parking lights will begin to flash.
7. Flip the valet/program switch Off, The parking lights will turn on for three seconds to indicate that the learned tach signal is stored and the unit is out of the tach learn mode.

**NOTE:** If the unit fails to learn tach rate due to an improper tachometer connection or a poor tach source, the unit will go into a fail-safe mode. While in this mode, the remote start transmitter will not function and the program switch will stop responding. This will be indicated by the LED turning on and off with each operation of the program switch. To correct this situation, locate and connect the Green/Orange wire to the proper tach signal, disconnect the power wire to the control module, repower the circuit, re-enter and learn the proper tach signal.

### Diagnostics:

Enter selectable feature #7 and turn on as described above.

**NOTE:** Diagnostic mode is a temporary mode. Once you have accessed the diagnostic mode, the unit will pause for two seconds then begin to flash the last stored shut down code. This code will be displayed three times in succession, then the unit will automatically exit the diagnostic on mode.

The parking lights will flash a number of times indicating the reason for the last remote start shutdown. The light flash indications are as follows:

- |           |  |
|-----------|--|
| 1 Flash   | 10 or 15 minute run timer expired            |
| 2 Flashes | Low or no tach signal (RPM)                  |
| 3 Flashes | Positive or negative inhibit wire activation |
| 4 Flashes | Control switch moved to the off position     |
| 5 Flashes | RF shutdown, Remote signal received          |
| 6 Flashes | High tach signal (RPM)                       |



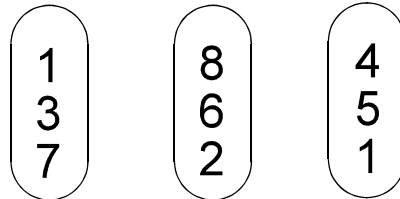
### Multi Coil Pack Adaptor: (Optional)

The multi coil pack adaptor is designed for use with vehicles having multiple ignition coils where a single point tach signal is unavailable.

To use the adaptor, the Green/Black wires must connect to the negative side of the ignition coil(s).

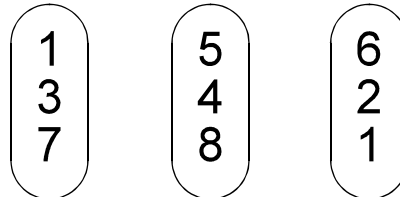
1. For vehicles utilizing independent coils per cylinder, connect the three Green/Black leads to alternate coils. To achieve optimum performance the coil signals must be evenly distributed. This is accomplished by first mapping out the firing order of the engine in groups of as indicated below. Draw a circle around any of the columns. The Green/Black wires should be connected to the negative (-) terminal of the respective cylinder number which appears in any of the circles.
2. For vehicles utilizing 2 cylinder firing per coil pack, connect Green/Black to the tach side of each coil pack. For 8 cylinder, four coil systems, connect to any of the three coils.
3. Connect the Yellow wire to a +12 volt ignition 1 source. This wire will have +12 volts with the ignition in the on and start position and have 0 volts with the ignition in the off position.
4. Connect the Green wire to the (Green) or (Orange/Green) tach input of the Audiovox remote start unit.

IF THE FIRING ORDER IS 1,8,4,3,6,5,7,2

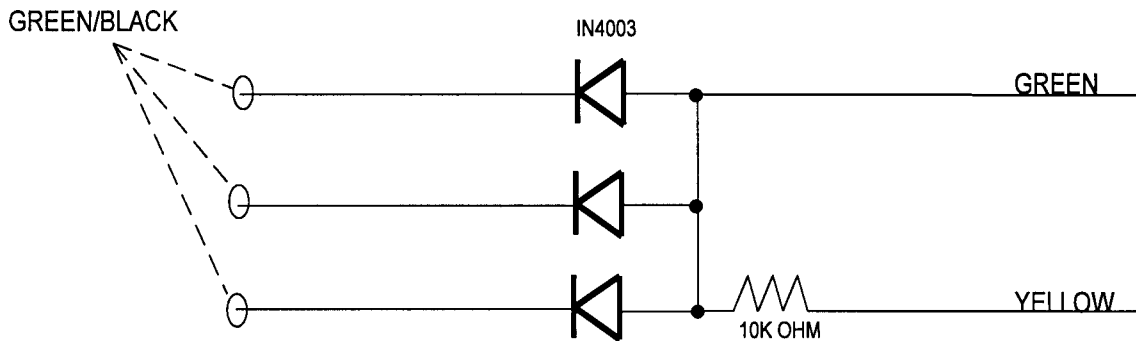


CONNECT TO CYLINDERS 137, OR 862, OR 451

IF THE FIRING ORDER IS 1,5,6,3,4,2,7,8



CONNECT TO CYLINDERS 1,3,7 OR 5,4,8 OR 6,2,1



**TESTING YOUR INSTALLATION:**

**CAUTION!!** The following procedure must be performed after the installation of an Audiovox Remote Start Device. It is the responsibility of the installing technician to complete these tests. Failure to test the unit in the following manner may result in personal injury, property damage, or both.

**HOOD PIN SAFETY SHUT DOWN:**

The intention of the hood pin safety shut down is to prevent the Remote Start unit from being activated while a mechanic or vehicle owner is performing normal routine vehicle maintenance.

To test the integrity of this circuit:

1. With the drivers window in the down position, start the vehicle using the RF transmitter.
2. Reach inside the car and pull the hood release.
3. Raise the hood and confirm that the remote start unit shuts down.

If the unit fails this test, recheck your pin switch connection to the Gray/Black wire of the Audiovox Remote Start Unit.

**DO NOT RELEASE THIS VEHICLE TO THE CONSUMER UNTIL YOU CONFIRM THE OPERATION OF THE HOOD PIN SAFETY SHUT DOWN FEATURE.**

**MANUAL SHUT DOWN / ENABLE CIRCUIT:**

The intent of the manual shut down / enable circuit is to allow the vehicle operator to prevent operation of the Remote Start Unit regardless of the RF transmitter operation.

To test the integrity of the manual shut down / enable circuit:

1. Place the control switch in the on (Closed To Ground) position.
2. Start the vehicle using the RF transmitter.
3. The vehicle should start and run under the control of the remote start unit.
4. Move the switch to the off (Open From Ground) position, the vehicle should shut off.

If the unit fails this test, recheck your enable switch connection to the Ground and the Black/White wire of the Audiovox Remote Start Unit. If you have a plug in enable switch, check that the two pin connector is firmly seated in the mating connector on the control module.

**DO NOT RELEASE THIS VEHICLE TO THE CONSUMER UNTIL YOU CONFIRM THE OPERATION OF THE MANUAL SHUT DOWN / ENABLE FEATURE.**

**NEUTRAL START SAFETY TEST:**

The intent of the neutral start switch is to prevent the vehicle from starting while the gear selector is in any position other than Park, or Neutral. When installing a Remote Start Device, it is imperative that the Yellow Starter wire be connected to the ignition switch side of the Neutral Start Switch. Consideration for the placement of a starter inhibit relay is important as well, and should be connected to the ignition switch side of the Yellow Start Wire.

To test the integrity of the Neutral Start Safety Circuit:

1. Set the vehicle parking brake.
2. Block the drive wheels to prevent vehicle movement.
3. Temporarily disconnect the Brown/Black positive shut down wire from the vehicle's brake switch.
4. Sitting in the vehicle, start the engine using the vehicle's ignition key.
5. Step on the brake pedal and shift the gear selector into reverse.
6. Allow the transmission to shift. When you feel the engine pull, do not move the gear selector just turn the ignition switch off. DO NOT attempt to remove the key.
7. Keeping the brake pedal depressed, activate the RF transmitter in an attempt to start the vehicle. The car should not start.
8. Repeat the above test this time move the gear selector to the drive position. If the unit attempts to start, failing this test, recheck your Yellow Wire's connection. This wire must be connected to the ignition switch side of the Neutral Start Switch. If the vehicle you are working on does not have an Electrical Neutral Safety Switch, it will be necessary to reconfigure the Remote Starts Wiring to accommodate this vehicle. The information concerning the Mechanical Neutral Safety Switch provided below will help you to determine if the vehicle you are working on has this type of safety switch and will provide alternate wiring methods to accommodate this situation.

**CAUTION!**  
**REMEMBER TO RECONNECT THE BROWN/BLACK WIRE TEMPORARILY  
DISCONNECTED IN STEP 3**

**DO NOT RELEASE THIS VEHICLE TO THE CONSUMER UNTIL YOU CONFIRM THE OPERATION  
OF THE NEUTRAL SAFETY START FEATURE.**

**MECHANICAL NEUTRAL SAFETY SWITCH CONSIDERATIONS:**

Mechanical neutral safety switch configurations differ slightly in that they do not offer the same level of safety when installing a remote start device. Often when the ignition switch is turned off while the gear selector is in any position other than park or neutral, the mechanical function will not allow the key to be turned to the start position or be removed from the ignition cylinder. This configuration prevents mechanical operation while the vehicle is in gear but offers no consideration for electrical operation. Because of this potential problem, this installation requires the additional connection of a safety wire from the remote start device to the vehicle Park/Neutral ECM Input or the vehicle key in sensor. This connection will prevent remote start operation if the key is left in the ignition switch regardless of the gear selectors position.

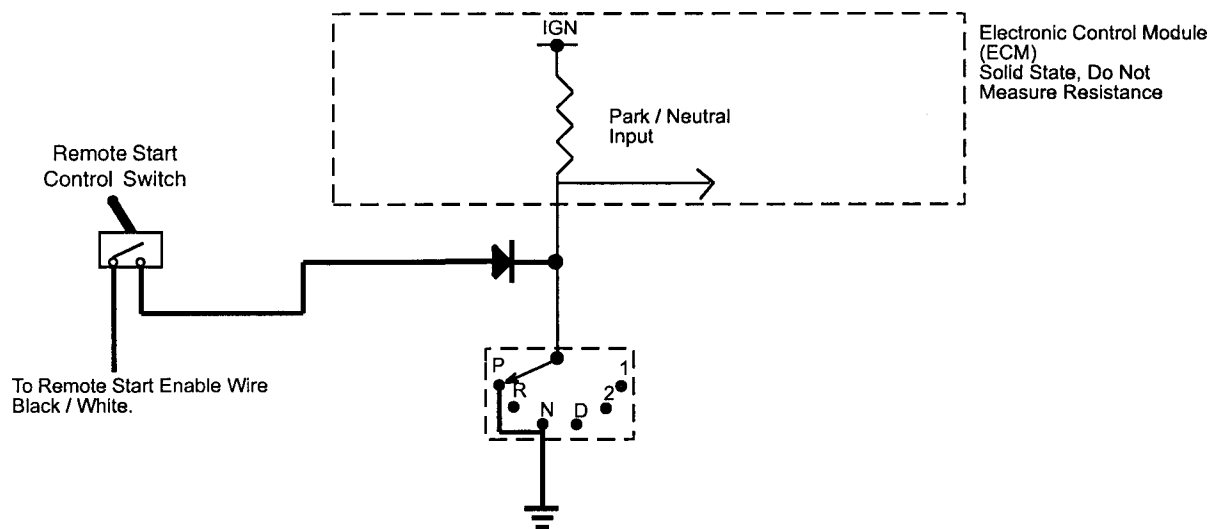
**PARK / NEUTRAL ECM INPUT:**

The Park / Neutral ECM input is the preferred method of installation. This not only maintains the integrity of the factory circuit, it is also the easiest to install, providing the vehicle you are working on has this ECM input.

The installation required for this application (shown below), indicates the slight reconfiguration of the control switch wiring and the addition of a 4000 series diode. Shown is a typical GM Park/Neutral ECM input circuit. To connect the Audiovox remote start unit to the GM Park / Neutral ECM input:

1. Locate the Orange / Black reference wire in the " C2" connector found at the ECM in GM B Body vehicles or, locate the equivalent reference wire in the vehicle you are installing the Audiovox Remote Start Unit in.
2. Connect the Cathode, (Striped) end, of a 4000 series diode to this reference wire.
3. Connect the Anode, (Non Striped) end, of the diode to one side of the Remote Starts enable switch.
4. Connect the other side of the enable switch to the Black/White enable input wire of the Remote Start unit.

The reference diagram below shows a typical GM B Body ECM reference wire and how it is to be connected to the Remote Start Unit.



### KEY IN SENSOR CIRCUITS:

If the vehicle you are working on does not have or you cannot locate the ECM reference wire, there are two alternatives available. Although not preferred, the vehicle Key In Sensor may be reconfigured to allow a margin of safety and will prevent the vehicle with a Mechanical Neutral Start Switch from starting in gear. AUDIOVOX ADVISES THAT YOU MAINTAIN THE FACTORY CIRCUIT WHENEVER POSSIBLE. The following two circuits may be used only if the above circuit is not available.

**NOTE:** When completing an installation using either of the following key in sensor circuits, if the operator inserts the ignition key while the vehicle is running under the control of the Remote Start, the vehicle will shut down. This must be explained to the operator as it is in contrast to the normal operation of a vehicle utilizing an electrical neutral start switch and is inconsistent with the operators manual.

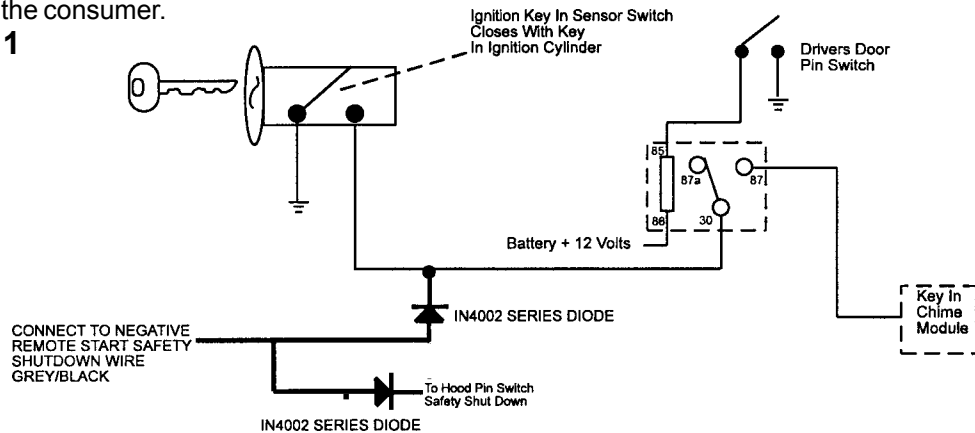
Additional information concerning Key In Sensor methods 1 & 2 are listed below and should be reviewed before considering either alternative.

Method 1 will allow the safety required for the remote start unit and prevent the vehicle from starting while in any gear other than Park or Neutral while the key is in the ignition cylinder however, if the key is left in the ignition switch and the door is left opened, the added relay will be energized causing a 150mA drain on the battery.

Method 2 will allow the safety required for the remote start unit and prevent the vehicle from starting while in any gear other than Park or Neutral while the key is in the ignition cylinder however, the original factory key in chime module will not alert the owner that the key has been left in the ignition switch. In addition, this may also effect other warning tones such as the light on reminder.

These situations should be carefully considered before altering the vehicle's wiring and must be fully explained to the consumer.

### METHOD 1

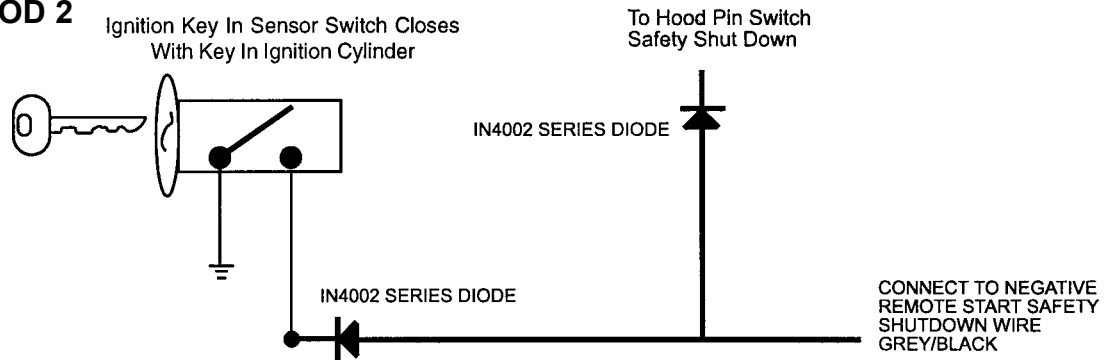


To connect to the key in sensor as shown in method 1:

- Locate the control wire that connects the drivers door pin switch to the key in sensor switch.
- Cut this wire and connect the ignition cylinder side to chassis ground.
- Locate the key in sensor switch wire that connects the chime module to the ignition cylinder .
- Cut this wire and connect the ignition cylinder side to terminal 30 of a P&B VF45F11 or equivalent relay.
- Connect the cathode (striped) side of a 4002 series diode to this same wire, and connect the (non striped) side to the negative shut down safety wire (Gray / Black) of the Audiovox Remote Start Unit.
- Connect terminal 86 of the relay to a fused +12 volt constant battery source.
- Connect terminal 87 of the relay to the Chime Module side of the previously cut wire in step D.
- Connect terminal 85 of the relay to the Drivers Door side of the pin switch wire previously cut in step B.

**NOTE:** A second 4002 series diode may be required to maintain the integrity of the hood open, shut down circuit. If this is the case, it must be installed as shown in the diagram above. The anode (Non Striped) side must be connected to the Gray/Black wire of the Remote Start Unit. The cathode (Striped) side must be connected to the hood pin switch. If the hood pin switch is also used for an alarm trigger input, be certain to use the dual diode assembly packaged with the Audiovox Remote Start Unit as shown in this installation guide. (Page 9)

## METHOD 2



To connect to the key in sensor circuit as shown for method 2:

- Locate the control wire that connects the drivers door pin switch to the key in sensor switch.
- Cut this wire and connect the ignition cylinder side to chassis ground.
- Locate the key in sensor switch wire that connects the chime module to the ignition cylinder .
- Cut this wire and connect the ignition cylinder side to the Remote Start Negative Safety Shut down Wire Gray/Black, using a 4002 series diode as shown above.

**NOTE:** A second 4002 series diode may be required to maintain the integrity of the hood open, shut down circuit. If this is the case, it must be installed as shown in the diagram above. The anode (Non Striped) side must be connected to the Gray/Black wire of the Remote Start Unit. The cathode (Striped) side must be connected to the hood pin switch. If the hood pin switch is also used for an alarm trigger input, be certain to use the dual diode assembly packaged with the Audiovox Remote Start Unit as shown in this installation guide. (Page 9)

AFTER THE CONNECTION OF THE NEUTRAL START SAFETY WIRE AS INDICATED IN ANY OF THE PREVIOUS ALTERNATE CONFIGURATIONS, THIS CIRCUIT MUST BE TESTED FOR OPERATION. Retest by following the steps outlined in the NEUTRAL START SAFETY TEST shown in this manual.

### COMPLETING THE INSTALLATION:

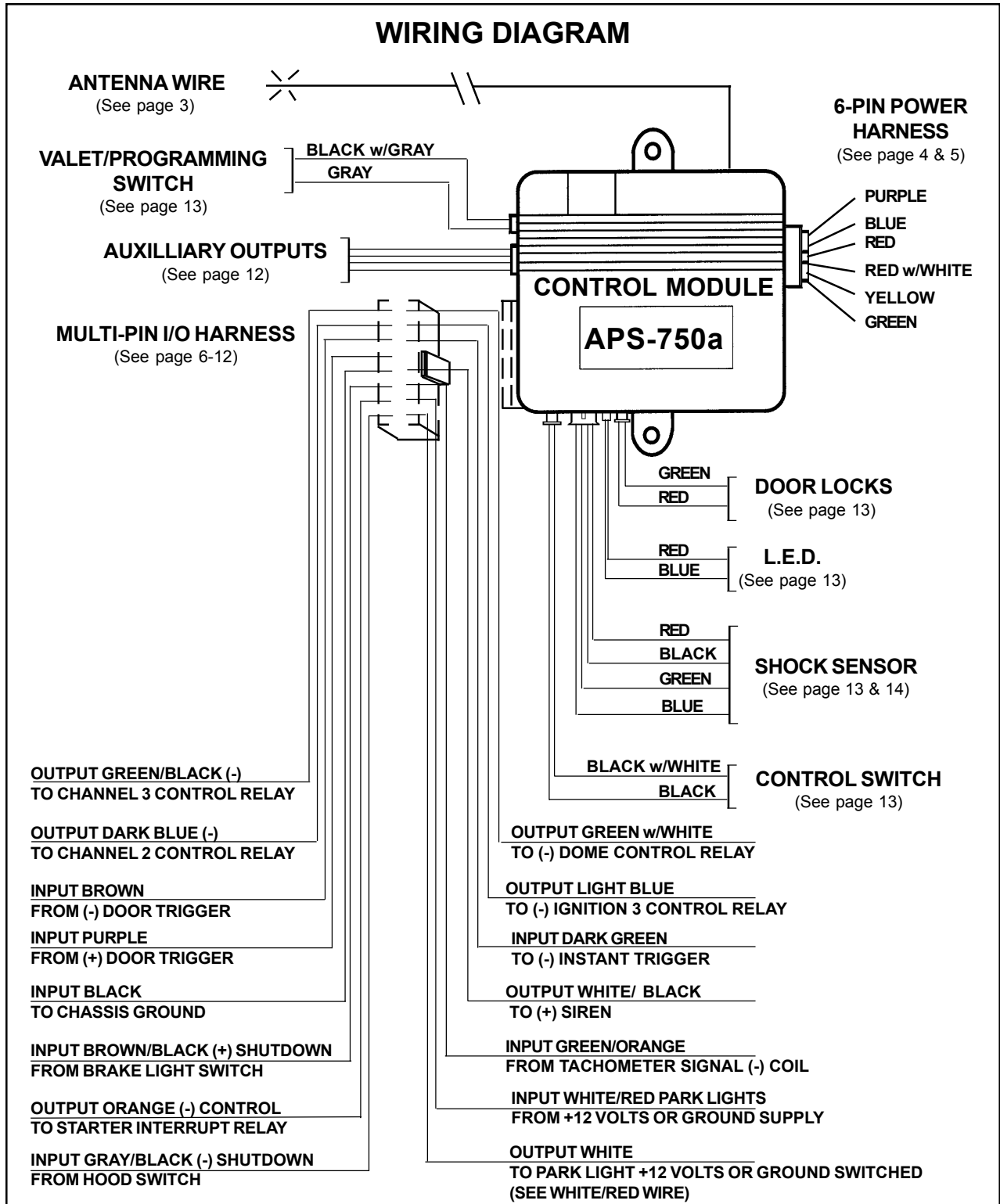
After you have confirmed the operation of the Audiovox Remote Start unit and tested all the safety features of the system:

- If you have not done so already, place the red rubber handle cover over the handle of the control switch for ease of identification. This will allow your customer to distinguish the Remote Start control switch from the program switch.
- Mount the control module up and behind the dash securing it in place with cable ties or screws. Be certain that the chosen mounting location will not inhibit any of the controls of the vehicle.
- Securely harness and tie all wiring up and away from all hot and moving parts that they may come in contact with under the dash board or in the engine compartment areas.

**CAUTION:** Particularly avoid the area around the steering shaft and column, as wires can wrap around these mechanisms and impair the safe operation of the vehicle.

- Apply the Caution Labels supplied with this kit to a conspicuous area in the engine compartment. Make sure to clean the surface before affixing the label.
- Check the vehicle's wipers, lights, horn, etc.... to insure proper operation.
- Replace all panels that were removed during installation, and retest the system.
- Explain all activated features and safety systems associated with Remote Start Unit installed to the customer.

# WIRING DIAGRAM





## MODÈLE APS-750a

Manuel de l'installateur

# Systeme de demarrage de vehicule par telecommande a 4 canaux, avec systeme d'alarme aux fonctionnalites completes Instructions pour l'installation

Cette unite est destinee a etre installée uniquement sur les vehicules equipes de systemes electriques de 12 volts avec mise a la terre au negatif, de moteurs a essence et de transmissions automatiques.

### Le necessaire comprend :

Module de commande APS-750a

- (2) Emetteurs avec protection de codes, a trois boutons
- Récepteur auto-adaptatif a quatre canaux
- Antenne a portee étendue a bord du vehicule
- Sirène a six tonalites modulees
- (1) Faisceau entree / sortie multibroches
- (1) Faisceau sortie auxiliaire a six broches
- (1) Faisceau d'alimentation a six broches
- (1) Indicateur a DEL a deux broches
- (1) Commutateur Valet / programmation a deux broches
- (1) Commutateur de commande a deux broches
- (1) Faisceau de detecteur de vibrations a quatre broches
- (1) Faisceau de verrouillage de portes a deux broches
- (1) Capteur de vibrations a deux positions
- (1) Relais et douille d'inhibition du demarreur
- (2) Porte-fusibles en ligne, avec fusibles 30 A
- (1) Sac avec pieces pour contacteur de porte mâle
- (2) Étiquettes d'avertissement a placer sous le capot
- (1) Manuel de l'installateur
- (1) Manuel de l'utilisateur
- (1) Garantie limitée
- (2) Décalcomanies a coller sur les vitres

Le système d'alarme et de démarrage par télécommande APS-750a est conçu pour être utilisé uniquement sur des véhicules à transmission automatique ! L'unité ne fournit aucune sortie pour les bougies de préchauffage et n'est pas souhaitable sur les véhicules diesel. Si le moteur diesel est à allumage instantané (aucun système de bougies de préchauffage), a une entrée de signal de tachymètre et une transmission automatique, il est alors possible d'utiliser l'unité. Pour les applications au diesel, consulter votre revendeur pour déterminer quel est le type de système d'allumage de votre véhicule particulier.

## **INSTALLATION DES COMPOSANTS MAJEURS:**

### **MODULE DE COMMANDE :**

Choisir un emplacement de montage à l'intérieur du compartiment passagers (contre et derrière le tableau de bord). Cet emplacement doit se trouver dans un rayon de 61 cm (24 po) du faisceau de conducteurs du commutateur d'allumage afin de permettre le raccordement du faisceau de câblage principal à six broches.

Il faut être sûr que l'emplacement choisi n'interférera pas avec le bon fonctionnement du véhicule. Éviter de monter le module sur la colonne de direction ou de faire passer les fils autour de celle-ci car le module ou le câblage pourraient s'enrouler autour du volant ou le bloquer et empêcher de contrôler le véhicule convenablement. Fixer le module à l'emplacement choisi à l'aide d'attaches de câble ou de vis, selon les besoins.

NE PAS monter le module dans le compartiment moteur car il n'est pas étanche à l'eau.

### **SIRÈNE :**

Choisir un emplacement à l'intérieur du compartiment moteur qui ne soit pas accessible par le dessous du véhicule. L'emplacement choisi doit être dégagé des pièces chaudes ou mobiles du compartiment moteur. La sirène doit être pointée vers le bas pour empêcher la rétention d'eau et l'extrémité qui s'élargit doit pointer au loin et vers l'extérieur du compartiment moteur pour obtenir la répartition acoustique maximum. Avant de fixer la sirène, vérifier le dos de l'emplacement choisi pour s'assurer que les vis de montage ne pourront pénétrer aucun des câblages montés en usine ou aucune des lignes de fluide. Fixer les pattes de support de la sirène à l'aide de vis à auto-filetage n° 8 ou bien, se servir d'abord d'une patte de support comme gabarit et marquer les trois trous de montage de la patte. Percer les trois trous marqués à l'aide d'une mèche de 1/8 po. puis monter la sirène à l'aide de vis à tôle n° 8.

### **CONTACTEURS MÂLES POUR CAPOT ET COFFRE :**

Les contacteurs mâles compris dans ce nécessaire sont prévus pour protéger le capot et le coffre du véhicule. Dans tous les cas, le contacteur doit être monté sur une surface métallique mise à la masse. Lorsque le contacteur est activé (capot ou coffre ouvert), il fournit un courant de terre au fil d'entrée actionnant l'alarme. En outre, le contacteur de capot est nécessaire à la sécurité de l'arrêt de l'unité de télécommande de démarrage. En cas de travail sur le véhicule, ce contacteur de capot empêche l'activation du démarrage par télécommande, même si le signal de commande de démarrage RF a été émis. Ce contacteur doit être installé dans toutes les applications. À défaut, il pourrait en résulter des dommages corporels et matériels. Monter les contacteurs dans le capot ou le coffre en des endroits éloignés de tout trajet d'eau. Si nécessaire, on peut utiliser les pattes de support fournies pour éloigner les contacteurs des gouttières de pluie et permettre de les monter sur la cloison pare-feu, derrière le joint de capot. Dans les deux cas, le contacteur doit être installé pour que le capot ou le couvercle du coffre puisse déprimer le contacteur d'au moins 1/4 po. lorsque le capot ou le coffre est fermé et pour que le contacteur soit totalement en extension lorsque le capot ou le coffre est ouvert. Pour le montage direct, il faut percer un trou de 1/4 po. Vérifier avec soin le dos de l'emplacement choisi pour s'assurer que la perceuse ne pourra pénétrer aucun des câblages existants montés en usine ou aucune des lignes de fluide. Percer un trou de 1/4 po. à l'emplacement souhaité et visser le contacteur mâle dans ce trou à l'aide d'un serre-écrou de 7/16 po. ou d'une douille profonde. Lorsqu'on utilise la patte de support, il faut d'abord fixer la patte à l'emplacement souhaité puis fixer le contacteur mâle dans le trou pré-taroudé de la patte de support.

### **DIODE ÉLECTROLUMINESCENTE (DEL) MONTÉE SUR LE TABLEAU DE BORD :**

La petite DEL rouge comprise dans le nécessaire sert d'indicateur visuel de l'état d'alarme et de moyen de dissuasion pour le voleur potentiel. La DEL fournit aussi des renseignements de réaction importants au cours de la programmation de l'émetteur et des fonctions et en mode programmé. La DEL doit être installée dans le tableau de bord à un endroit très visible, tant du point de vue du conducteur que d'une personne située en dehors du véhicule. Inspecter le dos de l'emplacement choisi pour s'assurer que la perceuse ne pourra pénétrer aucun des câblages existants montés en usine ou aucune des lignes de fluide. Percer avec soin un trou de 1/4 po. à l'emplacement souhaité et faire passer l'extrémité du connecteur de la DEL à travers le trou, dans la direction du module de commande. Appuyer fermement sur la DEL pour la mettre en place correctement dans le trou de montage.



**ANTENNE D'EXTENSION DE PORTÉE :**

L'antenne d'extension de portée fournie avec l'unité permet l'acheminer par le dessous du tableau de bord pour obtenir la portée opérationnelle maximum. Choisir un emplacement au-dessus de la ligne de ceinture (tableau de bord) du véhicule pour obtenir la meilleure réception. Il faut tenir spécialement compte de la vitre du pare-brise car certains véhicules très récents font usage d'un verre de pare-brise à écran métallique qui interrompt ou restreint la réception des radiofréquences (RF). Dans ces véhicules, acheminer l'extrémité exposée (non blindée) vers une fenêtre arrière pour obtenir la meilleure réception possible. Fixer l'extrémité exposée à l'aide de ruban adhésif sur deux côtés ou d'un bâtonnet de colle instantanée. Après avoir fixé l'extrémité exposée de l'antenne avec le ruban adhésif ou la colle, nous conseillons de fixer aussi un section de câble d'antenne à un support fixe. Ceci empêchera l'antenne de tomber si le ruban adhésif vient à être exposé à une extrême chaleur et que l'adhésif se mette à perdre de son pouvoir.

**COMMUTATEUR VALET / PROGRAMMATION / ASSERVISSEMENT MANUEL :**

Choisir un emplacement de montage facile d'accès pour le conducteur du véhicule. Il n'est pas nécessaire de dissimuler le commutateur, cependant, cette dissimulation est recommandée car elle offre un niveau plus élevé de sécurité. Le commutateur peut être monté sur le panneau inférieur du tableau de bord, dans la zone du conducteur. Inspecter le dos de l'emplacement choisi pour s'assurer qu'il existe un dégagement suffisant pour le corps du commutateur et aussi, que la perceuse ne pourra pénétrer aucun des câblages existants montés en usine ou aucune des lignes de fluide. Percer un trou de 1/4 po. à l'emplacement souhaité et monter le commutateur en le faisant passer à travers le panneau, à partir du dessous. Fixer le commutateur à l'aide de l'écrou, de la rondelle étoilée et du couvercle de protection. Il est suggéré d'orienter le commutateur de sorte que la position de marche (ON) soit vers le haut, dans la direction du conducteur et la position d'arrêt (OFF) vers le bas, dans la direction opposée au conducteur. Acheminer le connecteur du commutateur vers le module de commande.

**COMMUTATEUR DE COMMANDE :**

Choisir un emplacement de montage facile d'accès pour le conducteur du véhicule. Un panneau inférieur du tableau de bord, une plinthe ou une boîte à gants sont à recommander. Inspecter le dos de l'emplacement choisi pour s'assurer qu'il existe un dégagement suffisant pour le corps du commutateur et aussi, que la perceuse ne pourra pénétrer aucun des câblages existants montés en usine ou aucune des lignes de fluide. Percer un trou de 1/4 po. à l'emplacement souhaité et monter le commutateur en le faisant passer à travers le panneau, à partir du dessous. Fixer le commutateur à l'aide de l'écrou, de la rondelle étoilée et du couvercle de protection. Il est suggéré d'orienter le commutateur de sorte que la position de marche (ON) soit vers le haut, dans la direction du conducteur et la position d'arrêt (OFF) vers le bas, dans la direction opposée au conducteur. Acheminer le connecteur du commutateur vers le module de commande. Placer le capuchon en caoutchouc ROUGE, inclus dans le nécessaire, sur la manette du commutateur pour le différencier du commutateur Valet / programmation.

**DÉTECTEUR DE VIBRATIONS :**

Choisir, pour le détecteur de vibrations, une surface de montage solide, centralement située, qui permette le fonctionnement régulier en provenance de toutes les zones du véhicule. L'endroit sélectionné doit se trouver dans un rayon de 18 po. du module de commande afin de permettre l'acheminement et la connexion du faisceau à quatre broches. Fixer le détecteur de vibrations à l'endroit choisi, à l'aide de deux vis à tôle n° 8 à auto-taraudage. Le détecteur peut aussi être fixé sur un montant de support du tableau de bord par des attaches de câble. Quelque soit la méthode de montage utilisée, il faut veiller à ménager un accès au potentiomètre de réglage de sensibilité dont on fera usage ultérieurement au cours de l'installation.

**RELAIS D'INHIBITION DU DÉMARREUR :**

Choisir un emplacement de montage dans un rayon de 12 po. du fil du solénoïde pour faible courant de démarrage du commutateur de contact. Fixer le relais à un faisceau existant dans l'emplacement choisi à l'aide d'attaches de câble fixées autour du faisceau de câbles du relais. Attention ! Ne pas attacher la patte de support métallique à un faisceau existant avec l'attache de câble car les vibrations pourraient causer un frottement et des court-circuits endommageant le câblage d'usine. S'il n'existe pas de faisceau existant disponible, fixer alors la patte de montage métallique du relais à un montant de support sous le tableau de bord à l'aide d'une vis à tôle n° 8 à auto-taraudage. Câbler le relais selon le schéma de montage fourni plus loin dans le manuel.

L'APS-750a doit être utilisé uniquement sur les véhicules équipés de **TRANSMISSIONS AUTOMATIQUES** ! Quoique l'unité associant le système d'alarme et de démarrage par télécommande soit sophistiqué et comporte beaucoup de fonctions avancées, **IL NE DOIT PAS** être installé sur un véhicule à changement de vitesse manuel. Il pourrait en résulter des dommages corporels et matériels graves.

**IMPORTANT !**

**NE PAS BRANCHER LE FAISCEAU D'ALIMENTATION PRINCIPAL À SIX BROCHES NI LE FAISCEAU D'ENTRÉE / DE SORTIE À BROCHES MULTIPLES SUR LE MODULE DE COMMANDE TANT QUE TOUTES LES CONNEXIONS AU VÉHICULE N'ONT PAS ÉTÉ EFFECTUÉES. APRÈS AVOIR CHOISI LE CONDUCTEUR CIBLE COMME IL EST DÉFINI CI-DESSOUS, DÉBRANCHER LE CÂBLE NÉGATIF DE BATTERIE DE LA BATTERIE DU VÉHICULE AVANT D'EFFECTUER AUCUNE CONNEXION.**

**CÂBLAGE DU FAISCEAU D'ALIMENTATION PRINCIPAL À SIX BROCHES:**

**Fil BLANC à ligne ROUGE :** + source 12 volts de la batterie 1

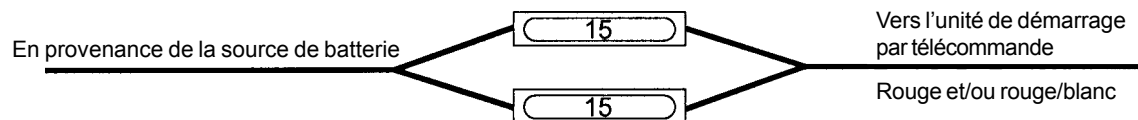
Connecter ce fil à une source de tension constante de +12 Vcc au commutateur d'allumage du véhicule en utilisant un fusible de 30 ampères et son porte-fusible fourni.

**Fil ROUGE :** + source 12 volts de la batterie 2

Connecter ce fil à une source de tension constante de +12 Vcc trouvée à l'allumage du véhicule en utilisant un fusible de 30 ampères et son porte-fusible fourni, mais **NON PAS** le même fil du véhicule que celui utilisé par la source de batterie 1. La plupart des véhicules ont plusieurs sources de batterie alimentant le commutateur d'allumage en énergie. Des fils d'alimentation séparés doivent être utilisés pour les fils Rouge et Rouge/Blanc. Si votre véhicule ne dispose pas de deux fils d'alimentation de batterie au commutateur d'allumage il est alors possible de connecter les deux fils à la batterie du véhicule.

**IMPORTANT !**

Le technicien installateur est responsable de déterminer le facteur de charge des circuits électriques du véhicule lorsque celui-ci tourne et d'installer des fusibles adaptés aux deux fils d'alimentation en fonction de cette charge. Si le véhicule tournant en charge avec l'air conditionné, le moteur de la soufflante du radiateur et des accessoires dépasse 24 ampères en courant continu, nous recommandons d'utiliser deux fusibles en association sur chaque fil d'alimentation, comme indiqué ci-dessous. Pour tous renseignements complémentaires, consulter la Mise à jour technique publiée le 30/9/96.



**Fil JAUNE :** sortie du démarreur

**Il faut considérer soigneusement la connexion de ce fil pour éviter que le véhicule ne démarre lorsqu'il est en prise. La compréhension de la différence entre un commutateur de démarrage au neutre mécanique et électrique permet d'identifier correctement le circuit et de choisir la méthode d'installation correcte. En outre, cela permet de réaliser pourquoi la connexion du fil de sécurité est requise dans toutes les configurations de commutateur mécanique.**

À défaut d'effectuer cette connexion correctement, il peut en résulter des dommages corporels et matériels.

Dans toutes les installations c'est le technicien installateur qui est responsable d'effectuer les tests de l'unité de démarrage par télécommande et d'assurer que le véhicule ne puisse pas démarrer au moyen de la commande à radiofréquence lorsqu'il se trouve sur une vitesse autre que le frein de parking ou le neutre.

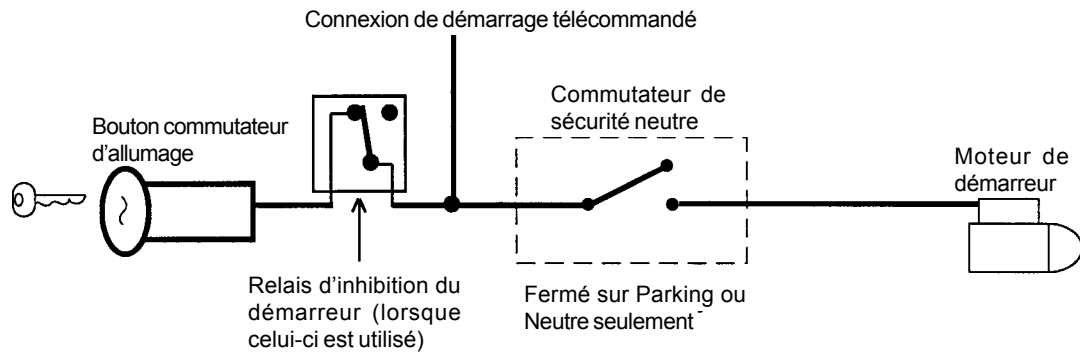
Dans les configurations du neutre tant mécaniques qu'électriques d'un commutateur de démarrage, la connexion du fil Jaune se fait au fil de courant faible du solénoïde de démarrage qui se trouve dans le faisceau du commutateur d'allumage. Ce fil est sous tension de +12 volts lorsqu'on tourne la clé de contact seulement sur la position démarrage (CRANK). Ce fil est sous tension de 0 volt à toutes les autres positions du commutateur d'allumage.

**REMARQUE :** Ce fil doit être connecté au côté véhicule du relais de coupure du démarreur (lorsque celui-ci est utilisé). Pour la configuration au neutre électrique du commutateur, cette connexion doit être faite entre le relais d'inhibition du démarreur (lorsque celui-ci est utilisé) et le commutateur de sécurité au neutre, tel que l'illustre le schéma suivant.

Le défaut de connexion de ce fil au côté commutateur d'allumage du commutateur de sécurité au neutre peut entraîner des dommages corporels et matériels.

**VOIR LES TESTS DE SÉCURITÉ DU DÉMARRAGE AU NEUTRE POUR PLUS DE DÉTAILS.**

### DÉTAIL DU FIL DE DÉMARRAGE JAUNE



#### Fil BLEU : Sortie allumage 1

Connecter ce fil au fil d'allumage 1 sortant du commutateur d'allumage. Ce fil indique une tension de +12 volts lorsqu'on tourne la clé de contact sur les positions marche (ON/RUN) ou démarrage (START/CRANK) et une tension de 0 volt lorsque la clé est tournée sur les positions arrêt (OFF) et accessoires (ACCESSORY).

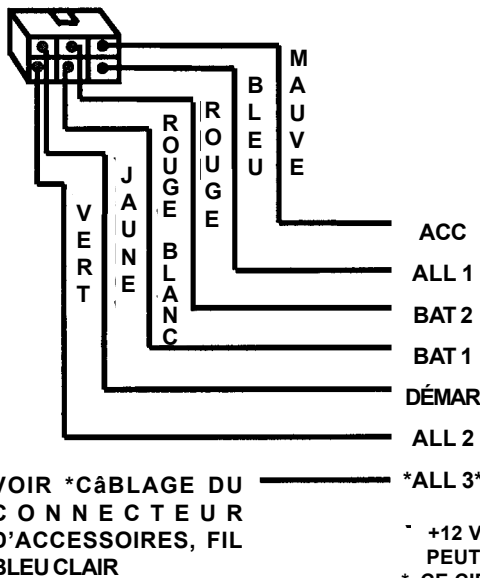
#### Fil VERT : Sortie allumage 2

Connecter ce fil au fil d'allumage 2 sortant du commutateur d'allumage. Ce fil indique une tension de +12 volts lorsqu'on tourne la clé de contact sur les positions marche (ON/RUN) et dans certains cas la position démarrage (START ou CRANK). Le fil indique une tension de 0 volt lorsque la clé est tournée sur les positions arrêt (OFF) et accessoires (ACCESSORY).

#### Fil MAUVE : Sortie accessoires

Connecter ce fil au fil d'accessoires sortant du commutateur d'allumage. Ce fil indique une tension de +12 volts lorsqu'on tourne la clé de contact sur les positions accessoires (ACCESSORY) ou marche (ON/RUN) et une tension de 0 volt lorsque la clé est tournée sur les positions arrêt (OFF) et démarrage (START/CRANK).

### CÂBLAGE DU FAISCEAU D'ALIMENTATION À 6 BROCHES



VOIR \*CÂBLAGE DU  
CONNECTEUR  
D'ACCESSOIRES, FIL  
BLEU CLAIR

#### POSITIONS DE LA CLÉ DE CONTACT

	ARRÊT	ACCESSOIRES	MARCHE	DÉMARRAGE
ACC		●	●	
ALL 1			●	●
BAT 2	●	●	●	●
BAT 1	●	●	●	●
DÉMAR				●
ALL 2			●	○
*ALL 3*			●	○

• +12 VOLTS SUR LA POSITION DE COMMUTATEUR INDICUÉE  
PEUT ÊTRE +12 VOLTS SUR LA POSITION DE COMMUTATEUR INDICUÉE  
\* CE CIRCUIT N'EST PAS TOUJOURS NÉCESSAIRE POUR L'INSTALLATION

## CONNEXIONS DE CÂBLAGE : Faisceau entrée / sortie des accessoires à broches multiples

### Fil Blanc avec ligne Rouge : alimentation des feux de positions clignotants

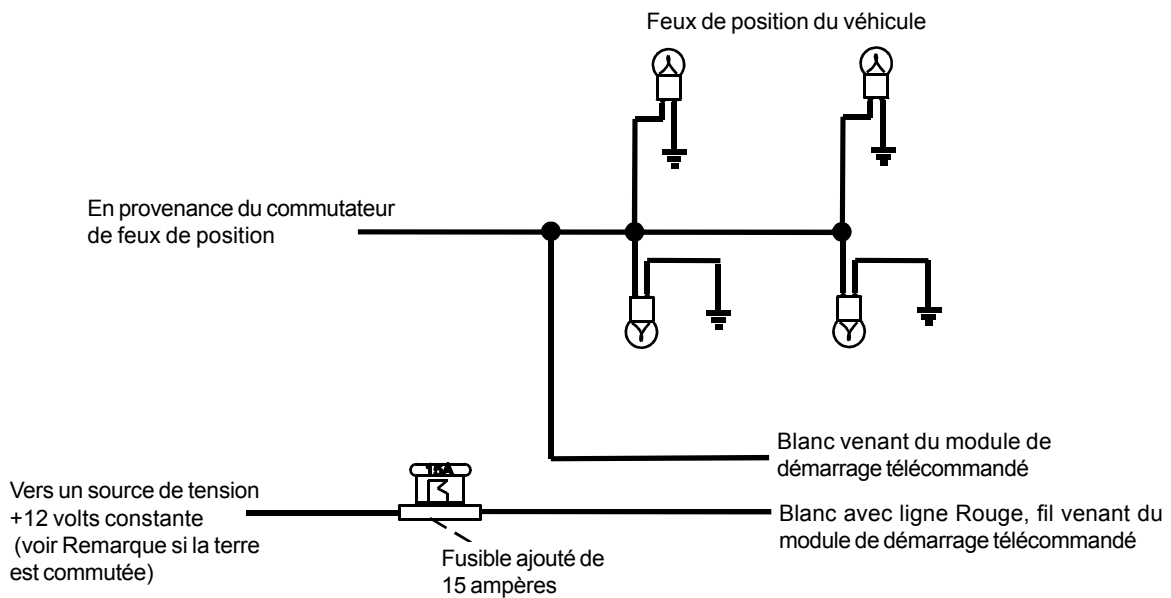
Ce fil est le contact commun du relais de feux de position clignotants d'origine. Si le véhicule sur lequel on travaille a des feux de position activés par commutateur sous +12 volts, connecter ce fil à une source de +12 volts avec fusible. (Max. 15 ampères).

**REMARQUE** : si les feux de position du véhicule sont mis à la terre, connecter ce fil à la masse du châssis.

### Fil Blanc : sortie des feux de position clignotants

Ce fil est le contact normalement ouvert du relais de feux de position clignotants d'origine. Connecter ce fil au fil d'alimentation des feux de position du véhicule. Voir le schéma ci-dessous pour plus de détails sur le câblage des circuits des feux de position commutés positivement.

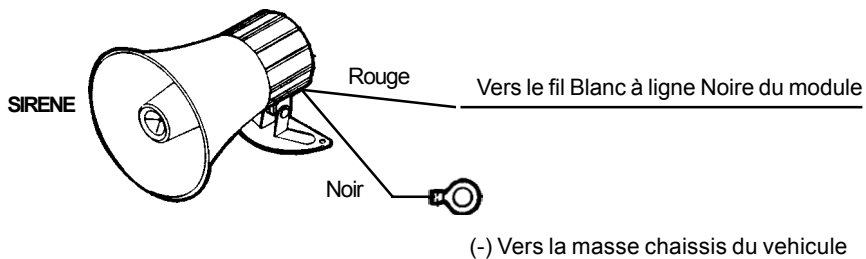
#### Détail du câblage des feux de position



### Fil Blanc avec ligne Noire : (+) sortie sirène

Il s'agit du fil d'alimentation positif de la sirène. Acheminer ce fil dans un passe-câble à travers la cloison pare-feu jusqu'à l'emplacement de la sirène. Connecter le fil Blanc avec ligne Noire au fil Rouge de la sirène. Fixer le fil Noir de la sirène à une mise à la masse connue du châssis ou une surface métallique propre et pleine.

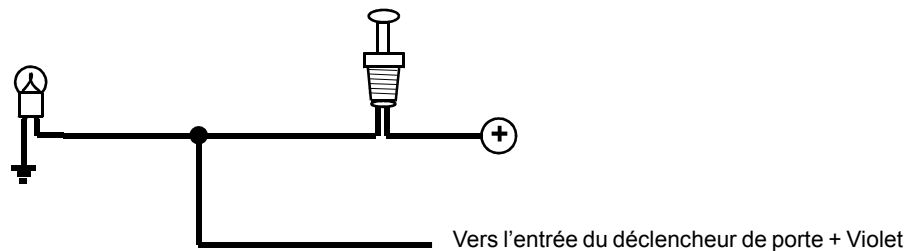
#### Détail du câblage de la sirène



**Fil Violet :** (+) entrée du déclencheur de porte

Si la lampe de courtoisie de la porte du véhicule fonctionne sous +12 volts lorsqu'on ouvre la porte (la plupart des modèles Ford et quelques importations), vous devez connecter ce fil à la sortie positive provenant de l'un des contacteurs de porte mâles du véhicule. Dans la plupart des cas, le fil Violet doit être connecté à un seul contacteur de porte, quelque soit le nombre de portes du véhicule, car la plupart des circuits d'éclairage de porte sont montés en parallèle. Voir le détail du câblage ci-dessous.

**Détail du câblage de contacteur de porte positif**

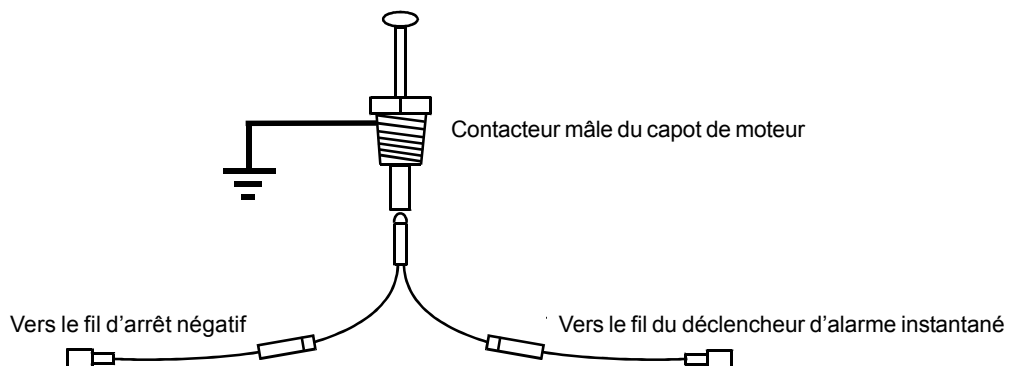


**Fil Vert foncé :** (-) entrée du déclencheur instantané

Il s'agit du fil d'entrée de mise à la terre du déclencheur instantané. Ce fil doit être connecté aux contacteurs mâles des capots de moteur et de coffre préalablement installés.

**Remarque :** Ce fil doit être shunté lorsqu'on accède au canal 2 de la télécommande (ouverture de coffre). Ce fil reste shunté pendant tout le temps que la terre est présente et pendant 5 secondes après élimination de la terre. Ceci permet à l'opérateur d'ouvrir le coffre avec l'émetteur de la télécommande sans avoir à désarmer d'abord le système d'alarme. Voir le détail du câblage ci-dessous.

**Détail du contacteur mâle du capot de moteur**



**Fil Bleu clair** : sortie d'allumage 3

Ce fil fournit une sortie de mise à la terre de 300 mA qui devient active 3 secondes avant que l'unité de télé démarrage s'initialise et, reste mis à la terre pendant la marche plus 4 secondes supplémentaires une fois que l'unité de télé démarrage s'arrête. Dans toutes les applications décrites ci-dessous, il est nécessaire d'installer un relais.

Le fil Bleu clair peut être utilisé dans les situations suivantes:

**A. Dérivation du détecteur de vibrations :**

Si le détecteur de vibrations utilisé dans le système d'alarme n'est pas enfichable et qu'il n'est pas shunté au cours de la période d'activation du démarrage télécommandé, la vibration du véhicule en marche peut déclencher l'alarme. Dans ce cas, connecter le fil Bleu clair à la borne n° 86 d'un relais externe. Connecter la borne n° 86 de ce relais à une source de batterie +12 volts protégée par fusible. Couper le fil de déclenchement du détecteur de vibrations et connecter l'une des extrémités du fil coupé à la borne n° 30 et l'autre à la borne n° 87a. Juste avant d'activer l'unité de télé démarrage, les contacts de relais s'ouvrent, empêchant le fonctionnement du détecteur de vibrations jusqu'à ce que l'unité de télé démarrage s'arrête.

**B. Sortie d'allumage 3**

Certains véhicules récents utilisent un troisième fil d'allumage qui est nécessaire pour faire démarrer le véhicule et conserver le moteur en marche. Lorsque ceci est le cas, connecter le fil Bleu clair à la borne n° 86 d'un relais externe. Connecter les bornes n° 30 et n° 85 à une source de batterie +12 volts protégée par fusible d'une capacité de 25 ampères. Connecter la borne n° 87 au troisième fil d'allumage dans le véhicule.

**C. Asservissement par clé du VATS de GM**

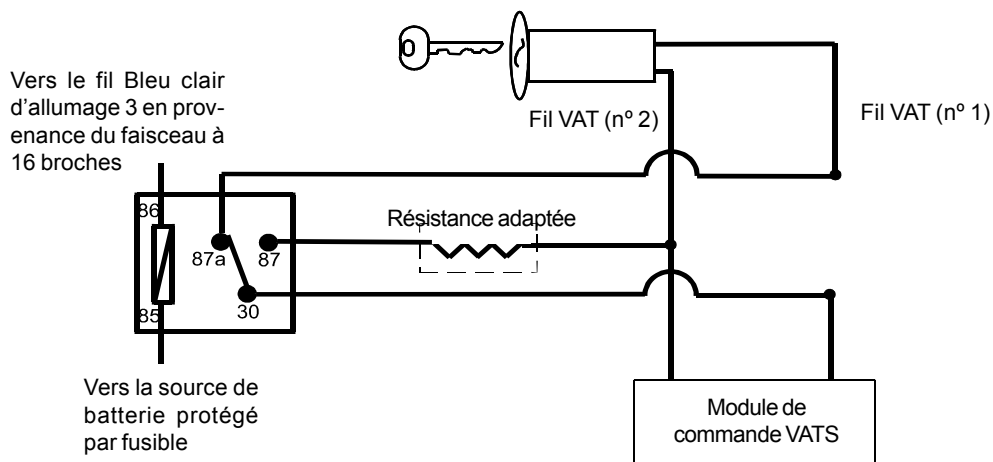
Lorsqu'il a été installé sur le véhicule un système VATS General Motors, il faut court-circuiter le système pendant que le véhicule fonctionne sous commande de l'unité de télé démarrage. Pour ce faire :

1. Mesurer la résistance de la pastille de résistance sur la clé de contact puis sélectionner une résistance dans la limite de tolérance de 5% de la valeur de la clé parmi le paquet de résistances fourni.
2. Repérer la paire de fils VATS dans le véhicule, habituellement une paire de fils de calibre fin allant du commutateur d'allumage au module de commande VATS.

**REMARQUE** : ces fils sont normalement Blanc avec ligne Noire et Mauve avec ligne Jaune. Toutefois, sur les modèles Cadillac récents, il sont acheminés dans un manchon orange et sont des fils, soit tous deux Noirs, tous deux Jaunes ou tous deux Blanc. Consulter le manuel d'entretien de l'usine pour plus de renseignements.

3. Connecter le fil Bleu clair sortant de l'unité de télé démarrage à la borne n° 86 d'un relais externe. Connecter la borne n° 85 du relais à une source de batterie +12 volts protégée par fusible.
4. Couper (n° 1) le fil (comme illustré) et le côté commutateur d'allumage du fil coupé à la borne n° 87a du relais. Connecter l'autre côté du fil (n° 1) à la borne n° 30.
5. Connecter la résistance préalablement choisie de la borne n° 87 au second fil (n° 2)(comme illustré).

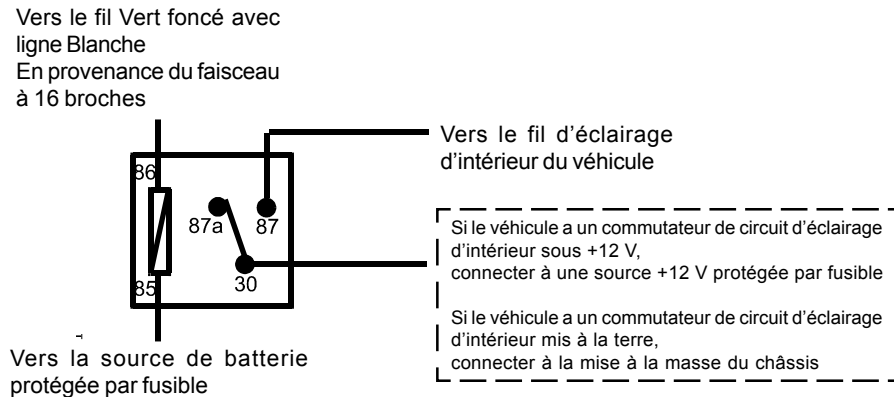
**REMARQUE** : les renseignements ci-dessus et le schéma suivant sont valables uniquement pour les systèmes VATS de GM. Pour le système GM PASS LOCK, il est nécessaire d'avoir le module AS-PASS II.

**Schéma de la dérivation du VATS de General Motors**

**Fil Vert avec ligne Blanche** : sortie mise à la terre de l'éclairage au déverrouillage des portes

Ce fil fournit une sortie mise à la terre pendant 30 secondes (300 mA max.) toutes les fois que la télécommande est utilisée pour désarmer l'alarme ou pour déverrouiller les portes et elle fournit une sortie continue pulsée chaque fois que l'alarme est déclenchée. Ce fil doit être connecté à un relais externe et câblé à l'éclairage d'intérieur des véhicules chaque fois que l'on souhaite un circuit d'éclairage d'intérieur en option. Voir ci-dessous le détail du câblage du relais.

**Détail de l'éclairage d'intérieur**

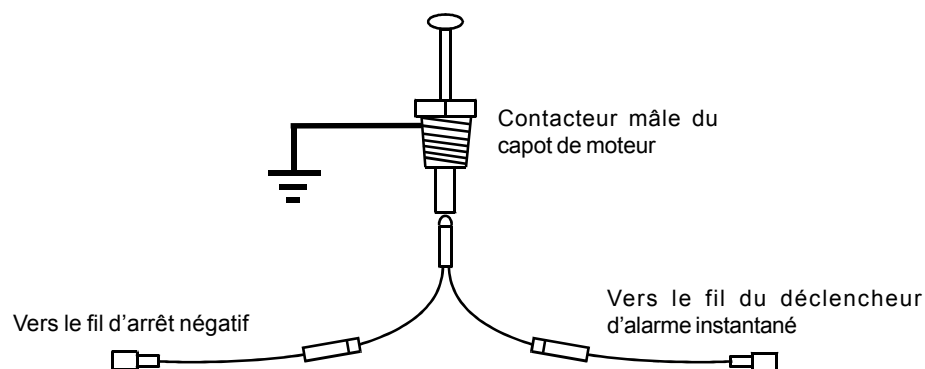


**Fil Gris avec ligne Noire** : entrée d'inhibition négative

Le fil Gris avec ligne Noire fournit l'arrêt instantané pour le module de commande de démarrage télécommandé chaque fois qu'il est mis à la terre. Connecter le fil Gris avec ligne Noire au contacteur mâle du capot de moteur préalablement installé. Ce fil doit être acheminé dans un passe-câble à travers la cloison pare-feu et connecté au contacteur mâle du capot de moteur. Si le contacteur mâle du capot doit être utilisé avec un système d'alarme, connecter ce fil à l'aide de l'ensemble de diode fourni.

**ATTENTION !** cette connexion est un fil de sécurité ; elle doit être connectée comme indiqué et testée comme spécifié. À défaut de procéder ainsi, il peut en résulter des dommages corporels et matériels. Voir le détail du câblage sur le schéma suivant. Ce fil peut aussi être utilisé si le circuit des feux de freinage du véhicule commute la terre vers les feux de freinage. Une diode d'isolation doit être utilisée pour les circuits de feux de freinage commutés à la terre et doit être connectée à la sortie du commutateur de freinage.

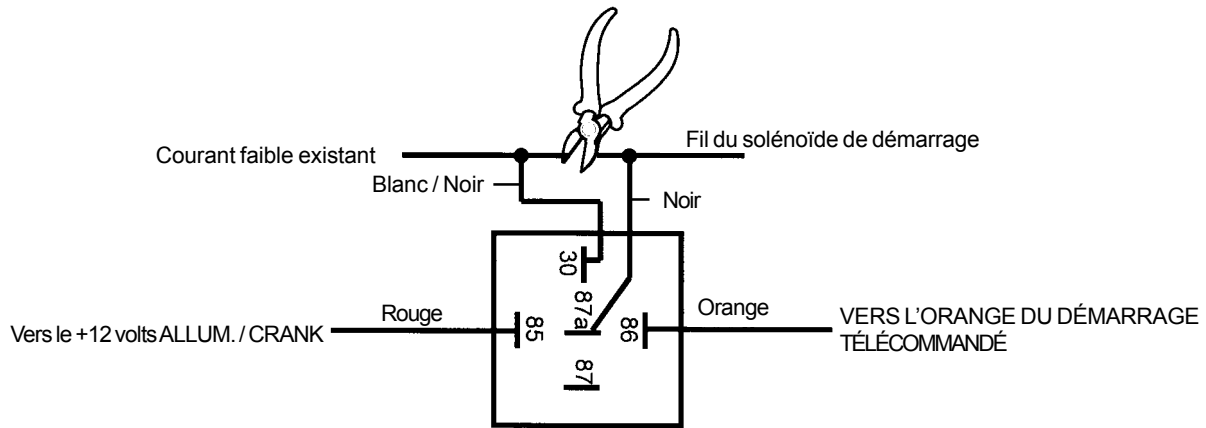
**Détail du fil Gris avec ligne Noire pour l'arrêt de sécurité — circuit d'inhibition négatif**



**Fil Orange** : sortie à la terre quand armé

Ce fil fournit une sortie à la terre de 300 mA lorsque le circuit d'alarme est armé pour commander le relais d'inhibition du démarreur. Connecter le fil Orange à la borne n° 86 (fil Orange) du relais fourni. Connecter la borne n° 85 (fil Rouge) du relais à un fil d'allumage du véhicule qui est sous tension de +12 volts lorsque la clé de contact est tournée sur la position marche (ON) et démarrage (START) et arrêt (OFF) lorsque la clé est enlevée. Repérer le fil de courant faible du solénoïde de démarrage et couper ce fil que l'on trouve dans le faisceau du commutateur de démarrage des véhicules. Ce fil sera sous tension de +12 volts lorsque la clé de contact sera tournée sur la position démarrage (CRANK) et de 0 volt sur toutes les autres positions. Connecter l'un des côtés du fil coupé à la borne n° 87a (fil Noir) du relais. Connecter l'autre extrémité du fil coupé à la borne n° 30 (fil Blanc et Noir) du relais. Voir ci-dessous le détail de câblage, et également, le détail du câblage du fil Jaune de démarrage pour les commentaires relatifs aux connexions des véhicules.

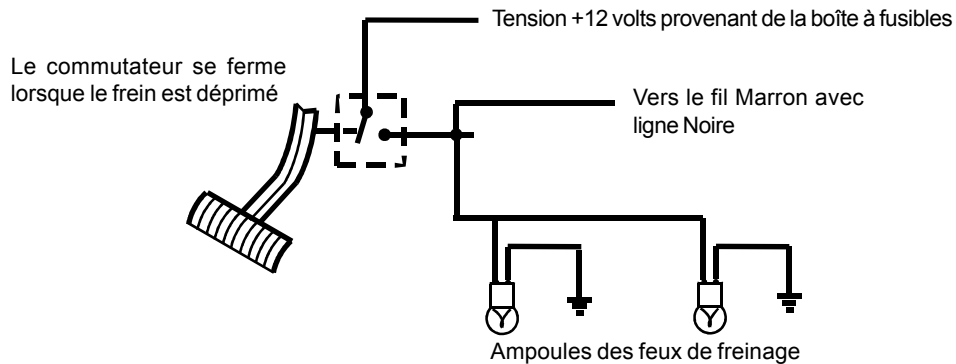
**Détail du câblage d'inhibition du démarreur**



**Fil Marron avec ligne Noire** : entrée d'inhibition positive

Ce fil Marron avec ligne Noire fournit un arrêt instantané au module de commande de démarrage télécommandé lorsqu'il lui est appliqué une tension de +12 volts. Si le commutateur des feux de freinage du véhicule transfère une tension +12 volts au circuit des feux de freinage, connecter le fil Marron avec ligne Noire au côté sortie du commutateur de freinage. Ceci permet au démarrage télécommandé de s'arrêter en cas de tentative de conduite du véhicule sans clé lorsque le moteur tourne sous contrôle de la télécommande de démarrage. Dans la plupart des véhicules la pédale de frein doit être déprimée pour que l'on puisse enclencher les vitesses. L'entrée du frein provoque à son tour l'arrêt de l'unité de télé démarrage. Voir le détail du câblage des feux de freinage sur le schéma suivant.

**Détail de l'arrêt positif du commutateur de freinage**





**Fil Noir** : Source de mise à la terre du châssis

Connecter le fil Noir à une source de mise à la terre connue du véhicule ou à une surface métallique pleine et propre du châssis. S'assurer qu'il n'y a aucune trace de peinture ou de graisse et fixer ce fil à l'aide d'une vis à auto-taroudage et rondelle terminale.

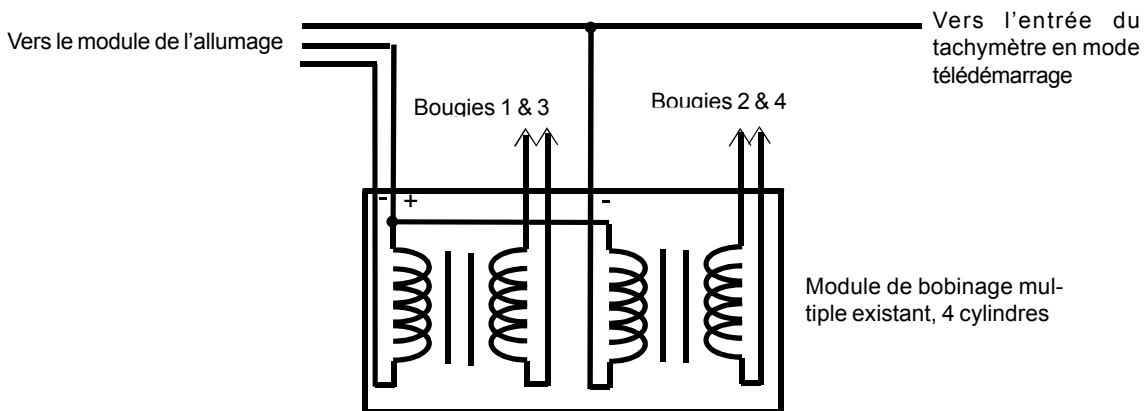
**Détail de la connexion de mise à la terre / à la masse du châssis**



**Fil Vert avec ligne Orange** : signal d'entrée du tachymètre

Ce fil surveille en permanence la vitesse du moteur au tachymètre lorsque l'unité est sous contrôle du module de commande de télé démarrage. Ce fil est acheminé vers l'entrée de tachymètre ECM du véhicule à travers la paroi pare-feu, dans le compartiment moteur et se connecte au côté négatif de la bobine d'allumage. Cette unité de télé démarrage mémorise la vitesse du tachymètre des véhicules et, dans la plupart des cas, fonctionne correctement à partir d'un module à bobines multiples, quel que soit le nombre de cylindres. Si le véhicule a une bobine unique pour chaque cylindre, il peut s'avérer nécessaire de connecter ce fil à plusieurs cylindres pour référence correcte du tachymètre. Pour de plus amples renseignements, voir le détail du câblage de bobinage multiple illustré ci-après dans le manuel.

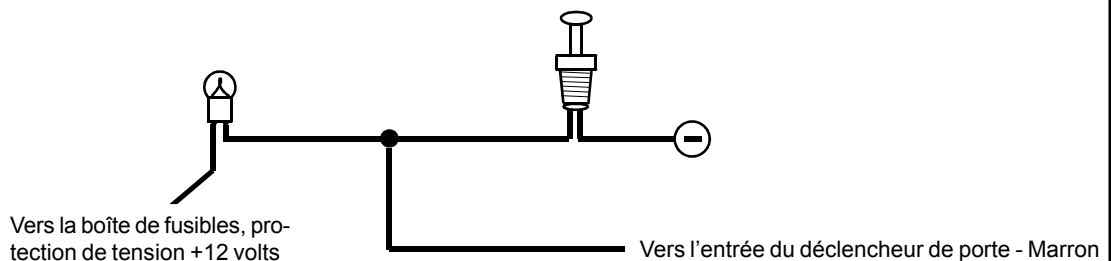
**Détail du câblage d'entrée du tachymètre**



**Fil Marron** : Déclencheur de porte négatif

Si la lampe de courtoisie de la porte du véhicule est mise à la terre lorsqu'on ouvre la porte (la plupart des modèles Ford et quelques importations), vous devez connecter ce fil à la sortie négative provenant de l'un des contacteurs de porte mâles du véhicule. Dans la plupart des cas, le fil Marron doit être connecté à un seul contacteur de porte, quelque soit le nombre de portes du véhicule, car la plupart des circuits d'éclairage de porte sont montés en parallèle. Voir le détail du câblage ci-dessous.

**Détail du câblage de contacteur de porte négatif**

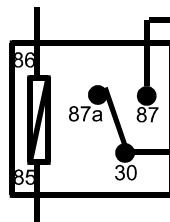


**Fil Bleu foncé** : sortie de canal 2 pulsée, 300 mA, temporisée

Le fil Bleu foncé fournit une sortie pulsée mise à la terre de 300 mA toutes les fois que le canal 2 du récepteur est activé. En appuyant sur le bouton d'émetteur pré-programmé pendant trois secondes, on active le canal 2. Il s'agit d'une sortie de courant faible et elle doit être connectée à un relais pour alimenter le circuit d'ouverture du coffre ou tout circuit que l'on souhaite commander. Connecter le fil Bleu foncé à la borne n° 86 d'un relais VF45F11 P&B ou équivalent. Connecter la borne n° 85 du relais à une source de tension +12 volts protégée par fusible. Connecter les contacts commun, normalement ouvert et normalement fermé du relais pour exécuter la fonction choisie du canal 2. Voir le détail du câblage de relais ci-dessous.

### Détail de câblage de relais du canal 2

Vers le fil Bleu foncé en provenance du faisceau multibroches



Vers le solénoïde de déverrouillage du coffre du véhicule

Si le véhicule a un commutateur de circuit de déverrouillage de coffre sous +12 V, connecter à une source +12 V protégée par fusible

Si le véhicule a un commutateur de circuit de déverrouillage de coffre mis à la terre, connecter à la mise à la masse du châssis

Vers la source de batterie protégée par fusible

**Fil Vert avec ligne Noire** : sortie à verrouillage du canal 3, 300 mA

Le fil Vert avec ligne Noire fournit une sortie sous tension de 300 mA toutes les fois que le canal 3 du récepteur est activé. On active le canal 3 en appuyant sur le ou les boutons de l'émetteur pré-programmé et le canal 3 reste activé tant que l'on appuie sur le bouton de l'émetteur. Il s'agit d'une sortie à faible courant qui doit être connectée à un relais pour alimenter le dispositif que l'on souhaite commander. Connecter le fil Vert avec ligne Noire à la borne n° 86 d'un relais VF45F11 P&B ou équivalent. Connecter la borne n° 85 du relais à une source de tension +12 volts protégée par fusible. Connecter les contacts commun, normalement ouvert et normalement fermé du relais pour exécuter la fonction choisie du canal 3.

### CÂBLAGE DU FAISCEAU DE SORTIE AUXILIAIRE À 4 BROCHES

Le connecteur auxiliaire à quatre broches fournit des sorties de faible courant pour commander diverses fonctions dans le véhicule au cours des différents stades de fonctionnement de l'unité de télédémarrage. La compréhension du rôle de ces sorties et de leurs temps de fonctionnement vous permettra de déterminer si elles sont nécessaires pour le véhicule particulier sur lequel vous travaillez d'apprendre à vous en servir.

**Fil Noir avec ligne Bleue** : sortie pulsée mise à la terre avant démarrage

Le fil Noir avec ligne Bleue fournit une sortie pulsée mise à la terre, de 300 mA, 3 secondes avant l'activation de l'unité de télédémarrage. Un emploi type pour cette sortie consisterait à désarmer un système de dissuasion, anti-vol, monté en usine, afin d'empêcher le faux déclenchement de l'alarme usine lorsque l'unité de télédémarrage établit la connexion.

**Fil Noir avec ligne Verte** : sortie pulsée mise à la terre après démarrage

Le fil Noir avec ligne Verte fournit une sortie pulsée mise à la terre, de 300 mA, après démarrage du véhicule sous l'action de l'unité de télédémarrage. Un emploi type pour ce fil consisterait à reverrouiller les portes du véhicule au cas où celles-ci se déverrouilleraient automatiquement lorsque le système de dissuasion, anti-vol, monté en usine, est désarmé.

**Fil Noir avec ligne Rouge** : sortie pulsée mise à la terre après arrêt

Le fil Noir avec ligne Rouge fournit une sortie pulsée mise à la terre, de 300 mA, après que l'unité de télédémarrage se soit arrêtée. Cette sortie est présente que la temporisation du circuit soit expirée ou qu'elle soit manuellement asservie. Comme usage type de cette sortie, on peut citer le reverrouillage des portes du véhicule si les portes se déverrouillent automatiquement lorsque le circuit d'allumage transite vers l'arrêt (OFF).

**Fil Noir avec ligne Jaune** : sortie mise à la terre au cours du démarrage (CRANK)

Le Fil Noir avec ligne Jaune fournit une sortie mise à la terre de 300 mA, pendant que la sortie démarreur de l'unité de télédémarrage est active. Cette sortie peut servir à activer le fil démarrage bas / test d'ampoule (LOW CRANK / BULB TEST) trouvé dans certains véhicules GM. Ce fil s'appelle aussi fil de réveil ECM sur certains véhicules Chrysler.

**REMARQUE** : les sorties ci-dessus sont à faible courant et doivent être utilisées avec un relais lorsque l'exigence du circuit dépasse 300 mA.

**Commutateur de commande à deux broches** : (connecteur rouge)

Les fils Noir et Noir à ligne Blanche raccordés au connecteur rouge à deux broches permettent le fonctionnement de l'unité de télédémarrage. Lorsque le fil Noir à ligne Blanche est mis à la terre, l'unité de télédémarrage peut être activée. Lorsque le circuit du fil est ouvert depuis la terre, le démarrage par télécommande est désactivé. Acheminer les conducteurs jumeaux Noir et Noir avec ligne Blanche à partir du commutateur de commande vers l'unité de télédémarrage et brancher le connecteur rouge à deux broches sur la prise femelle correspondante rouge du module de commande.

**Détecteur de vibrations à quatre broches** : (connecteur blanc)

Les fils Rouge (+12 volts), Noir (terre), Bleu (pré-détection) et Vert (déclenchement total quand armé) branchés sur le connecteur femelle blanc sont les entrées / sorties du détecteur de vibrations. Acheminer le faisceau à quatre conducteurs du détecteur de vibrations jusqu'à l'unité de télédémarrage et brancher le connecteur femelle blanc sur la prise mâle correspondante blanche à quatre broches du module de commande. Remarque : pendant le fonctionnement sous contrôle de la télécommande de démarrage, le détecteur de vibrations est shunté (mis en dérivation). Une fois que l'unité de télédémarrage est arrêté, le détecteur de vibrations est réactivé.

**Faisceau de DEL à deux broches** : (connecteur blanc)

Les fils Rouge et Bleu branchés sur le mini connecteur blanc à deux broches commandent l'anode et la cathode de la diode électroluminescente (DEL) montée sur le tableau de bord. Acheminer les conducteurs jumeaux Rouge et Bleu de la DEL jusqu'à l'unité de commande de télédémarrage et brancher le connecteur mâle à deux broches sur la mini prise femelle, blanche, correspondante du module de commande.

**Commutateur Valet / programmation à deux broches** : (connecteur bleu)

Les conducteurs jumeaux Noir et Gris branchés sur le connecteur mâle bleu sont l'alimentation de terre et l'entrée des circuits Valet / programmation de l'unité de télédémarrage. Lorsque le fil Gris est mis à la terre, dans certaines conditions, l'unité entre dans le mode Valet. Lorsque le fil Gris est mis à la terre séquentiellement dans d'autres circonstances, l'unité entre dans divers modes de programmation. Acheminer les conducteurs jumeaux Noir et Gris depuis le commutateur Valet / programmation jusqu'à l'unité de télédémarrage et brancher le connecteur à deux broches sur le connecteur femelle, bleu, correspondant du module de commande. Consulter les sections de ce manuel de l'installateur et concernant la programmation à distance, la programmation de fonctionnalités et de fonctions traitées plus loin pour faire fonctionner le commutateur Valet / programmation.

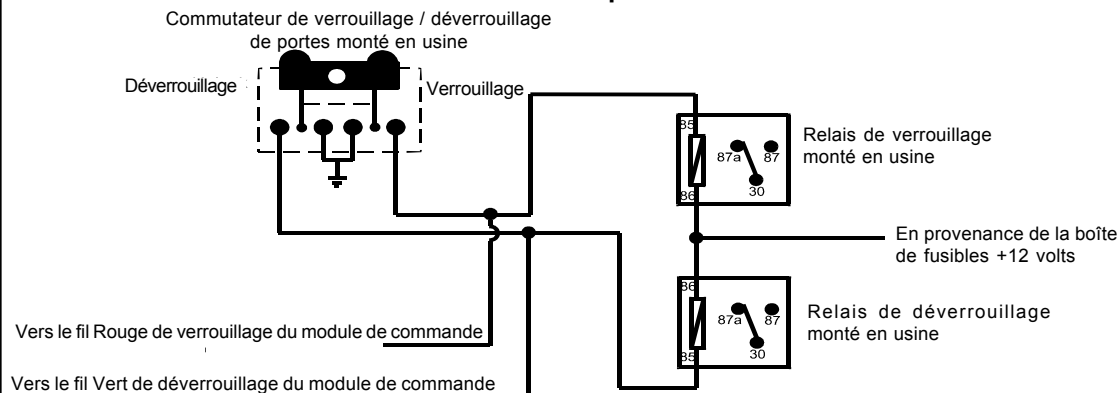
**Faisceau de verrouillage / déverrouillage des portes à deux broches** : (connecteur blanc)

Les fils de sortie Rouge et Vert pour le verrouillage / déverrouillage des portes fournit, soit une sortie pulsée mise à la terre, soit une sortie sous tension de +12 volts pour commander les circuits de verrouillage / déverrouillage des portes. La sortie de ces fils a une capacité maximum de 300 mA. De nos jours, de nombreux véhicules sont équipés de relais de verrouillage de portes montés en usine et qui peuvent être directement connectés à ces sorties. Toutefois, il est toujours conseillé de vérifier auprès de l'usine que les relais usine de votre véhicule particulier ne dépassent pas la capacité nominale de la sortie de 300 mA des circuits de verrouillage / déverrouillage de portes des unités. Brancher le connecteur à deux broches du faisceau de verrouillage / déverrouillage de portes sur le connecteur femelle correspondant du module de commande. Déterminer le circuit de verrouillage de portes du véhicule sur lequel vous travaillez et effectuer le câblage selon le schéma illustré ci-dessous.

**Circuits de verrouillage de portes à mise à la terre, triphasés** :

Dans cette application, le fil Rouge du faisceau à deux broches fournit une sortie pulsée, mise à la terre, au cours de la séquence d'armement, ou une sortie pulsée, de verrouillage, avec mise à la terre. Brancher le fil Rouge au fil du signal de terre, à courant faible, du commutateur de verrouillage de portes monté en usine au relais de verrouillage de portes monté en usine. Le fil Vert du faisceau à deux broches fournit une mise à la terre pulsée au cours de la séquence de désarmement ou une sortie de déverrouillage pulsée, mise à la terre. Connecter le fil Vert au fil du signal de courant faible entre le commutateur de déverrouillage de portes monté en usine et le relais de déverrouillage de portes monté en usine. Voir ci-dessous le détail du câblage.

**Détail du câblage du verrouillage / déverrouillage de portes avec commutateur triphasé et mise à la terre**

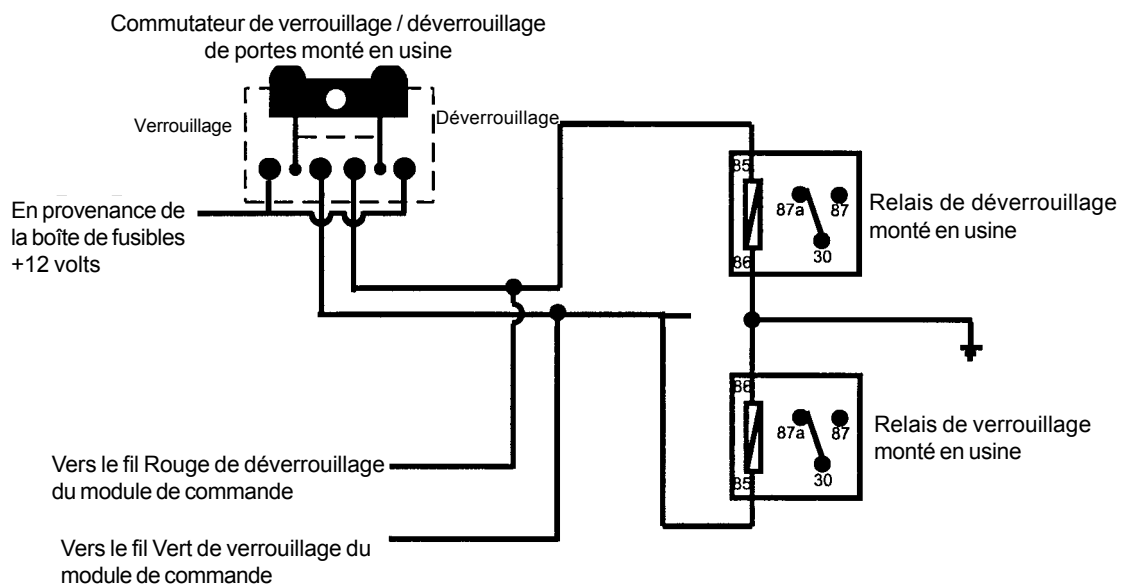


### Verrouillages de portes à commutation positive, triphasée :

Dans cette application, le fil Rouge du faisceau à deux broches fournit une tension pulsée de +12 volts au cours de la séquence de désarmement, ou une sortie de déverrouillage sous tension pulsée de 12 volts. Brancher le fil Rouge au fil du signal de courant faible 12 volts sortant du commutateur de déverrouillage de portes monté en usine sur le relais de déverrouillage monté en usine.

Le fil Vert du faisceau à deux broches fournit une tension pulsée de +12 volts au cours de la séquence d'armement ou une sortie de verrouillage pulsée, de 12 volts. Brancher le fil Vert au fil du signal de faible courant de 12 volts sortant du commutateur de verrouillage de portes monté en usine. Voir le détail du câblage ci-dessous.

### Détail du câblage de verrouillage / déverrouillage de portes avec commutateur positif triphasé



**Remarque :** Pour les connexions à des circuits à inversion de polarité à quatre fils, 12 volts alternatif à cinq fils, et tous les autres circuits de verrouillage de portes, l'interface de verrouillage de portes Audiovox AS-9159 (ou des relais équivalents de 30 A pour automobile) doit être utilisée. Consulter le fascicule Supplément au câblage de verrouillage de portes Audiovox pour obtenir les schémas de câblages corrects de ces circuits.

## OPTIONS POSSIBLES DE FONCTIONS DE L'ALARME

**REMARQUE :** les étapes de la programmation des options possibles de fonctions de l'alarme et des options possibles du démarrage par télécommande qui suivent sont basées sur la configuration suivante : le bouton d'émetteur 1 programmé pour le canal 1 et le bouton d'émetteur 2 programmé pour le canal 2.

### Fonctions programmables sur RF :

Sélection de fonction	1 tonalité	2 tonalités	Défaut
Première	Verrouillage de porte après 1 s	Verrouillage de porte après 3,5 s	1 seconde
Deuxième	Auto-verrouillage en marche	Auto-verrouillage arrêté	Auto-verrouillage arrêté
Troisième	Auto-déverrouillage en marche	Auto-déverrouillage arrêté	Auto-déverrouillage arrêté
Quatrième	Verrouillage de portes passif	Verrouillage de portes actif	Verrouillage de portes actif
Cinquième	Armement passif	Armement actif	Armement passif

### Pour programmer les options de fonctions de l'alarme :

Action	Réponse du système	Fréquence de clignotement de la DEL
Tourner la clé de contact sur marche	Aucune réponse	
Faire basculer le commutateur Valet/programmation sur marche et arrêt 3 fois de suite	1 tonalité - 1 clignotement de la DEL	
Dans les 3 secondes suivantes, tourner la clé de contact sur arrêté puis sur marche.	1 tonalité = 1 seconde de verrouillage	1 clignotement, pause, etc.
Premièrement Appuyer sur le bouton 1 de l'émetteur pour changer, ou	2 tonalités = 3,5 secondes de verrouillage	2 clignotements, pause, etc.
Deuxièmement Faire basculer le commutateur Valet/programmation sur marche et sur arrêté puis appuyer sur le bouton 1 de l'émetteur pour changer, ou	1 tonalité = auto-verrouillage en marche	
Troisièmement Faire basculer le commutateur Valet/programmation sur marche et sur arrêté puis appuyer sur le bouton 1 de l'émetteur pour changer, ou	2 tonalités = auto-verrouillage arrêté	3 clignotements, pause, etc.
Quatrièmement Faire basculer le commutateur Valet/programmation sur marche et sur arrêté puis appuyer sur le bouton 1 de l'émetteur pour changer, ou	1 tonalité = auto-verrouillage en marche	
Cinquièmement Faire basculer le commutateur Valet/programmation sur marche et sur arrêté puis appuyer sur le bouton 1 de l'émetteur pour changer, ou	2 tonalités = verrouillage actif	4 clignotements, pause, etc.
Faire basculer le commutateur Valet/programmation sur marche et sur arrêté	1 tonalité = verrouillage passif	
ou	1 tonalité = armement passif	5 clignotements, pause, etc.
Tourner la clé de contact sur arrêté.	2 tonalités = armement actif	
	Sortie du mode programmation	
	Sortie du mode programmation	

**REMARQUE :** une fois que l'on est entré dans le mode programmation, NE PAS laisser plus de 15 secondes s'écouler entre les étapes car le mode programmation cesse ensuite.

### PROGRAMMATION DU DÉMARRAGE PAR MINUTERIE :

L'unité de télédémarrage a la capacité de faire démarrer le véhicule automatiquement à des intervalles de temps minutés. Cette caractéristique est utile dans les climats très froids où le démarrage du moteur est la seule façon de maintenir la charge de la batterie et les fluides réchauffés. L'opérateur a l'option de faire démarre l'unité toutes les 2 heures ou toutes les 4 heures au cours d'un maximum de 48 heures. La minuterie est réglée en usine pour un démarrage toutes les 4 heures. Pour sélectionner la fréquence 2 heures ou 4 heures de la minuterie :

- Commencer avec le commutateur d'activation (manette rouge) sur la position marche (ON).
- Tourner la clé de contact sur marche (ON) puis sur arrêté (OFF).
- Dans les 10 secondes suivant le positionnement de la clé de contact sur arrêté, faire basculer le commutateur d'activation sur arrêté, marche, arrêté, marche (2 fois) pour choisir la fréquence de démarrage de 2 heures. Faire basculer le commutateur d'activation sur arrêté, marche, arrêté, marche, arrêté, marche, arrêté, marche (4 fois) pour choisir la fréquence de démarrage de 4 heures. Les feux clignotent et la sirène émet 2 ou 4 tonalités selon la fréquence choisie.

**REMARQUE :** Une fois choisie, la fréquence de démarrage toutes les 2 ou 4 heures reste en mémoire jusqu'à ce qu'on la change manuellement. Pour changer, suivre la séquence ci-dessus.

### FONCTIONNEMENT DU DÉMARRAGE PAR MINUTERIE :

Pour commencer le cycle de la minuterie, dans les dix secondes suivant le positionnement de la clé de contact sur arrêté, activer la commande RF de démarrage 2 fois. (Appuyer 4 fois sur le bouton 2). Les feux clignotent alors et la sirène émet 4 tonalités. La sélection de la fréquence de démarrage est alors activée. Le véhicule démarrera toutes les 2 ou 4 heures selon la programmation. Pour annuler le mode de démarrage par minuterie, faire démarrer le véhicule soit par la commande RF soit par la clé de contact.

## OPTIONS POSSIBLES DU DÉMARRAGE PAR TÉLÉCOMMANDE

### Fonctions programmables sur RF :

Sélection de la fonction	Clignotement des feux de position 1 ×	Clignotement des feux de position 2 ×	Défaut	F r é q u e n c e clignotement DEL
Première	Confirmation tonalité démarrage RF arrêtée	Confirmation tonalité démarrage RF en marche	Arrêt	1 × pause, etc.
Deuxième	Temps de marche de 10 minutes	Temps de marche de 15 minutes	10 minutes	2 × pause, etc.
Troisième	Feux de position stables en marche	Feux de position clignotants	Stable	3 × pause, etc.
Quatrième	(aucune fonction)	Fonctionnement du tachymètre	Tachymètre	4 × pause, etc.
Cinquième	(aucune fonction)	(aucune fonction)	---	5 × pause, etc.
Sixième	Allumage 2 arrêté pendant démarrage	Allumage 2 en marche pendant démarrage	Arrêt pendant démarrage	6 × pause, etc.
Septième	Diagnostic arrêté	Diagnostic en marche	Arrêt	7 × pause, etc.
Huitième	(aucune fonction)	(aucune fonction)	---	8 × pause, etc.

### Pour programmer les fonctions en option du démarrage par télécommande :

- Commencer avec le commutateur Valet/programmation sur la position d'arrêt (OFF).
- Tourner la clé de contact sur la position marche (ON).
- Faire basculer le commutateur Valet/programmation sur marche, arrêt, marche, arrêt, marche, puis sur arrêt (OFF).
- Immédiatement après, tourner la clé de contact sur arrêt (OFF) puis appuyer sur le bouton 2 de l'émetteur pendant 1 seconde.
- Immédiatement après, tourner la clé de contact sur marche (ON).
- Faire basculer le commutateur Valet/programmation sur marche, arrêt, marche, puis sur arrêt (OFF). La sirène émet deux tonalités courtes et une longue, confirmant que l'on se trouve dans le mode de programmation des fonctions.
- À l'aide du bouton 1 de l'émetteur, avancer jusqu'à la fonction que l'on souhaite changer. EXEMPLE : Si l'on souhaite changer l'option de fonction 3, appuyer sur le bouton 1 de l'émetteur et le relâcher trois fois de suite. Les feux de position clignotent et la sirène émet trois tonalités confirmant que l'option de fonction 2 peut être changée.
- Se servir du bouton 2 de l'émetteur pour changer la sélection des fonctions programmables. En cas d'incertitude quant au réglage à effectuer pour une fonction quelconque, appuyer une fois sur le bouton 2, les feux de position clignotent une fois ou deux selon le réglage de la fonction.

**REMARQUE :** une fois que l'on est entré dans le mode programmation, NE PAS laisser plus de 15 secondes s'écouler entre les étapes car le mode programmation cesse ensuite.

### Programmation de la vitesse du tachymètre :

L'APS-750a mémorise la vitesse du tachymètre du véhicule. Pour ce faire :

- Commencer avec le commutateur de programmation sur la position arrêt (OFF).
- Tourner la clé de contact sur la position marche (ON).
- Faire basculer le commutateur Valet/programmation sur marche, arrêt, marche, arrêt, marche, puis sur arrêt (OFF).
- Immédiatement après, tourner la clé de contact sur arrêt (OFF).
- Faire basculer le commutateur Valet/programmation sur marche puis faire démarrer le véhicule avec la clé de contact.
- Lorsque l'unité détecte le signal du tachymètre, les feux de position commencent à clignoter.
- Faire basculer le commutateur Valet/programmation sur arrêt (OFF). Les feux de position s'allument pendant trois secondes pour confirmer que le signal du tachymètre est acquis et sauvegardé en mémoire et que l'unité n'est plus en mode de mémorisation de la vitesse du tachymètre.

**REMARQUE :** si l'unité ne parvient pas à mémoriser la vitesse du tachymètre en raison d'une connexion incorrecte du tachymètre ou d'une source médiocre alimentant le tachymètre, l'unité tombe en mode de sécurité intrinsèque. Dans ce mode, l'émetteur de télécommande de démarrage ne fonctionne pas et le commutateur de programmation cesse de répondre. Ceci est indiqué par la DEL qui s'allume et s'éteint avec chaque opération du commutateur de programmation. Pour remédier à cette situation, localiser et raccorder le fil Vert / Orange au signal de tachymètre correct, déconnecter le fil d'alimentation allant vers le module de commande, remettre le circuit sous tension, saisir à nouveau et mémoriser le signal de tachymètre correct.

### Diagnostics :

Entrer la sélection de fonction n° 7 et mettre en marche comme décrit ci-dessus.

**REMARQUE :** le mode diagnostic est un mode temporaire. Une fois que l'on se trouve dans ce mode, l'unité pause pendant deux secondes puis commence à clignoter le dernier code d'arrêt sauvegardé. Ce code est montré trois fois de suite puis l'unité sort automatiquement du mode diagnostic.

Les feux de position clignotent un certain nombre de fois, indiquant la raison de dernier arrêt du télédémarrage. Les messages donnés par les feux clignotants sont les suivants :

1 clignotement	les 10 ou 15 minutes de marche ont expiré
2 clignotements	signal de tachymètre faible ou absent (t/mn)
3 clignotements	activation du fil d'inhibition positif ou négatif
4 clignotements	commutateur de commande placé sur arrêt
5 clignotements	arrêt RF, signal de télécommande reçu
6 clignotements	signal de tachymètre élevé (t/mn)

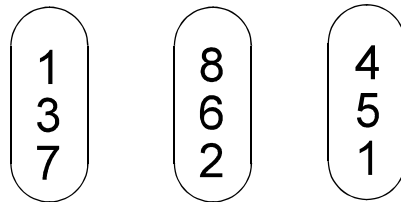
### Adaptateur pour module multi-bobines : (en option)

L'adaptateur pour module multi-bobines est conçu pour les véhicules ayant de multiples bobines d'allumage, sur lesquels un signal de tachymètre unique n'est pas disponible.

Pour utiliser l'adaptateur, les fils Vert / Noir doivent être connectés au côté négatif des bobines d'allumage.

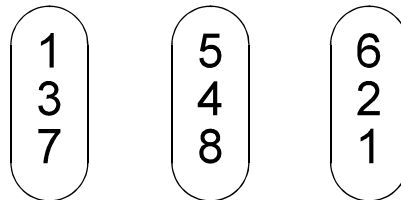
1. Pour les véhicules utilisant des bobines indépendantes par cylindre, connecter les trois conducteurs Vert / Noir pour alterner les bobines. Pour obtenir les performances maximum les signaux des bobines doivent être répartis uniformément. On obtient ce résultat en mappant d'abord l'ordre d'allumage du moteur par groupes tels qu'indiqués ci-dessous. Dessiner un cercle autour de l'une des colonnes. Les fils Vert / Noir doivent être connectés à la borne négative (-) du cylindre respectif dont le numéro apparaît dans l'un des cercles.
2. Pour les véhicules utilisant l'allumage sur 2 cylindres par module de bobinage, connecter le fil Vert / Noir au côté tachymètre de chaque module de bobinage. Pour 8 cylindres, quatre systèmes de bobinage, connecter à l'une des trois bobines.
3. Connecter le fil Jaune à une source d'allumage de +12 volts. Ce fil doit être sous tension de +12 volts lorsque l'allumage est sur la position marche (ON) et démarrage (START) et sous 0 volt lorsque l'allumage est sur la position arrêt (OFF).
4. Connecter le fil Vert à l'entrée (Verte) ou (Orange / Verte) du tachymètre de l'unité de télédémarrage Audiovox.

SI L'ORDRE D'ALLUMAGE EST 1,8,4,3,6,5,7,2

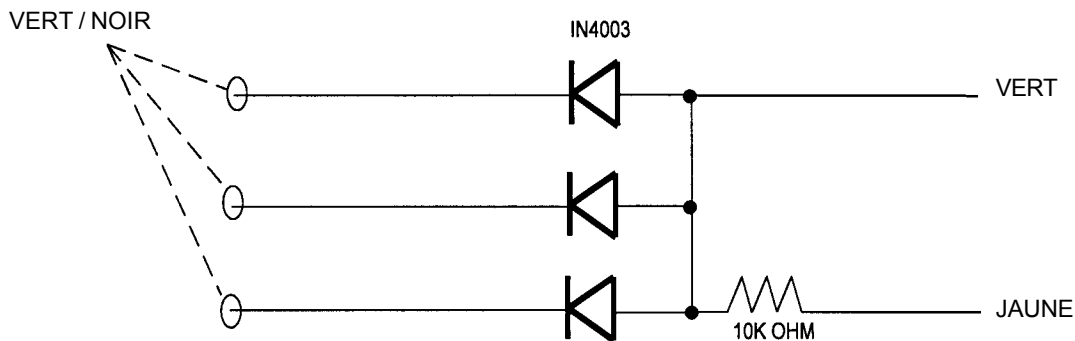


CONNECTER AUX CYLINDRES 137, OU 862, OU 451

SI L'ORDRE D'ALLUMAGE EST 1,5,6,3,4,2,7,8



CONNECTER AUX CYLINDRES 1,3,7, OU 5,4,8 OU 6,2,1



### **COMMENT TESTER L'INSTALLATION :**

**ATTENTION !** La procédure suivante peut être exécutée après l'installation d'un dispositif de démarrage par télécommande Audiovox. C'est le technicien-installateur qui a la responsabilité d'exécuter ces tests. À défaut de tester l'unité de la manière suivante, des dommages corporels et matériels peuvent résulter.

### **ARRÊT DE SÉCURITÉ PAR LE CONTACTEUR DU CAPOT DE MOTEUR :**

L'utilité de l'arrêt de sécurité par le contacteur du capot de moteur consiste à empêcher l'unité de télé démarrage de pouvoir être activée pendant qu'un mécanicien ou le propriétaire du véhicule sont en train d'accomplir des opérations d'entretien sur le véhicule.

Pour tester l'intégrité de ce circuit, procéder comme suit :

1. La fenêtre du conducteur étant baissée, faire démarrer le véhicule avec l'émetteur RF.
2. Atteindre et tirer sur la manette d'ouverture du capot.
3. Ouvrir le capot et confirmer que l'unité de télé démarrage est arrêtée.

Si l'unité ne passe pas ce test, vérifier à nouveau que la connexion du contacteur mâle au fil Gris / Noir de l'unité de télé démarrage Audiovox.

**NE PAS CONFIER LE VÉHICULE AU CONSOMMATEUR TANT QUE LE BON FONCTIONNEMENT DU CONTACTEUR MÂLE N'A PAS ÉTÉ CONFIRMÉ AU COURS DE LA PROCÉDURE D'ARRÊT DE SÉCURITÉ.**

### **CIRCUIT MANUEL ARRÊT / ACTIVATION :**

L'utilité du circuit manuel d'arrêt / d'activation consiste à permettre à l'opérateur d'empêcher le fonctionnement de l'unité de télé démarrage, quelle que soit la situation de l'émetteur.

Pour tester l'intégrité de cette procédure d'arrêt / d'activation manuels, procéder comme suit :

1. Placer le commutateur de commande sur la position marche (ON) (fermeture du circuit vers la terre).
2. Faire démarrer le véhicule à l'aide de l'émetteur RF.
3. Le moteur du véhicule devrait se mettre et rester en route sous le contrôle du télé démarreur.
4. Placer le commutateur sur la position arrêt (OFF) (ouverture du circuit venant de la terre). Le véhicule devrait s'arrêter.

Si l'unité ne passe pas ce test, vérifier à nouveau la connexion du commutateur d'activation vers la terre et le fil Gris / Noir de l'unité de télé démarrage Audiovox. S'il se trouve une prise dans le commutateur d'activation, vérifier si le connecteur à deux broches est solidement enfoncé dans le connecteur femelle correspondant sur le module de commande.

**NE PAS CONFIER LE VÉHICULE AU CONSOMMATEUR TANT QUE LE BON FONCTIONNEMENT DU CIRCUIT MANUEL D'ARRÊT / D'ACTIVATION N'A PAS ÉTÉ CONFIRMÉ.**

### **TEST DE SÉCURITÉ — DÉMARRAGE AU NEUTRE :**

L'utilité du commutateur de démarrage au neutre consiste à empêcher le véhicule de démarrer lorsque le levier de changement de vitesse se trouve sur une position autre que le Frein Parking ou le Neutre. Lorsqu'on installe un dispositif de démarrage par télécommande, il est impératif de connecter le fil Jaune au côté commutateur d'allumage du commutateur de démarrage au neutre. Il est également important de prendre en considération l'installation d'un relais d'inhibition du démarreur et ce relais devrait être connecté au côté commutateur d'allumage du fil Jaune de démarrage.

Pour tester l'intégrité du circuit de sécurité du démarrage au neutre, procéder comme suit :

1. Serrer le frein de parking du véhicule.
2. Bloquer les roues motrices pour empêcher tout mouvement du véhicule.
3. Débrancher temporairement le fil Marron / Noir positif d'arrêt du commutateur de frein du véhicule.
4. Étant assis dans le véhicule, faire démarrer le moteur avec la clé de contact.
5. Enfoncer la pédale de frein et placer le levier de changement de vitesse en marche arrière.
6. Laisser à la transmission le temps de changer. Lorsqu'on sent que le moteur tire, ne pas toucher au levier de vitesses mais tourner la clé de contact sur arrêt (OFF). NE PAS tenter de sortir la clé.
7. Tout en gardant la pédale de frein enfoncée, activer l'émetteur RF pour essayer de faire démarrer le véhicule. Celui-ci ne devrait pas démarrer.
8. Recommencer le test ci-dessus, mais cette fois en déplaçant le levier de changement de vitesse sur la position conduite (DRIVE). Si l'unité tente de démarrer, et échoue à ce test, vérifier à nouveau la connexion du fil Jaune. Ce fil doit être connecté au côté commutateur d'allumage du commutateur de démarrage au neutre. Si le véhicule sur lequel on travaille n'est pas équipé d'un commutateur de sécurité au neutre électrique, il sera nécessaire de reconfigurer le câblage de la télécommande de démarrage pour l'adapter à ce véhicule. Les renseignements concernant le commutateur de sécurité au neutre mécanique, fournis ci-après, devraient aider à déterminer si le véhicule sur lequel on travaille est équipé de ce type de commutateur de sécurité et fournira des solutions de rechange pour le câblage permettant de s'adapter à la situation.



**ATTENTION !**  
**IL FAUT SE SOUVENIR DE RECONNECTER LE FIL MARRON / NOIR TEMPORAIREMENT DÉBRANCHÉ À L'ÉTAPE 3**

**NE PAS CONFIER LE VÉHICULE AU CONSOMMATEUR TANT QUE LE BON FONCTIONNEMENT DU DISPOSITIF DE SÉCURITÉ DU DÉMARRAGE AU NEUTRE N'A PAS ÉTÉ CONFIRMÉ.**

**COMMENTAIRES RELATIFS AU COMMUTATEUR DE SÉCURITÉ DU NEUTRE MÉCANIQUE**

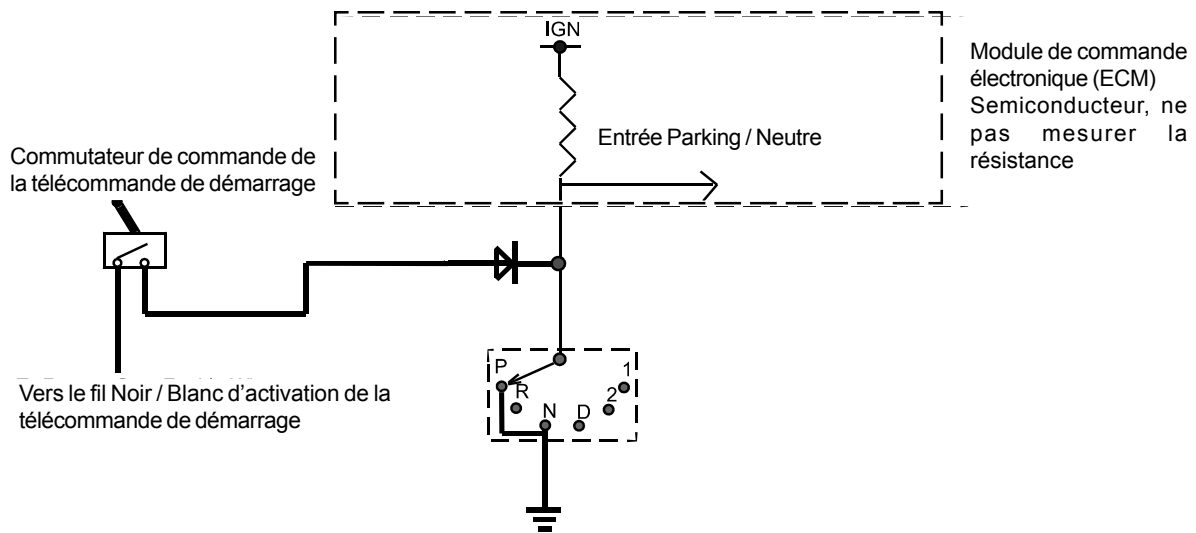
Les configurations du commutateur de sécurité du neutre mécanique diffèrent légèrement et n'offrent pas le même niveau de protection lorsqu'on installe un dispositif de démarrage par télécommande. Il arrive souvent que, lorsqu'on tourne la clé de contact sur arrêt pendant que le levier de changement de vitesse se trouve sur une position autre que le frein de parking ou le neutre, le mécanisme ne permet pas que l'on tourne la clé de contact sur la position démarrage ni qu'on la sorte du cylindre d'allumage. Cette configuration empêche le fonctionnement du véhicule en prise mais n'offre aucun éclaircissement sur l'aspect électrique du fonctionnement. En raison de ce problème éventuel, l'installation exige la connexion supplémentaire d'un fil de sécurité entre l'unité de télédémarrage et l'entrée ECM parking / neutre du véhicule ou la clé du véhicule dans le détecteur. Cette connexion empêche le fonctionnement de la télécommande de démarrage si la clé reste dans le cylindre de contact (commutateur d'allumage), quelque soit la position du levier de changement de vitesse.

**ENTRÉE ECM PARKING / NEUTRE:**

L'entrée ECM parking / neutre est la méthode préférée d'installation. Ceci permet non seulement de maintenir l'intégrité du circuit installé en usine mais c'est aussi le moyen d'installation le plus facile, à condition que le véhicule soit équipé de cette entrée ECM.

L'installation requise pour cette application (illustrée ci-dessous) indique la légère reconfiguration du câblage de commutateur de commande et l'ajout d'une diode de la série 4000. L'illustration est celle d'un circuit d'entrée type ECM Parking / Neutre de GM. Pour connecter l'unité de télédémarrage Audiovox à l'entrée ECM Park / Neutre de GM, procéder comme suit :

1. Repérer le fil de référence Orange / Noir dans le connecteur « C2 » que l'on trouve à l'ECM dans les carrosseries GM B, ou bien, repérer le fil de référence équivalent dans le véhicule où l'on est en train d'installer l'unité de télédémarrage Audiovox.
  2. Connecter l'extrémité de la cathode (dénudée) d'une diode de la série 4000 à ce fil de référence.
  3. Connecter l'extrémité de l'anode (non dénudée) de la diode à l'un des côtés du commutateur d'activation de l'unité de télédémarrage.
  4. Connecter l'autre côté du commutateur d'activation au fil d'entrée d'activation Noir / Blanc sur l'unité de télédémarrage.
- Le schéma de référence ci-dessous illustre un fil de référence ECM pour carrosserie GM B type et comment celui-ci doit être connecté à l'unité de télédémarrage.



## CLÉ DANS LES CIRCUITS DE DÉTECTION:

Si le véhicule n'est pas équipé d'un fil de référence ECM ou si on ne le trouve pas, il existe deux solutions possibles. Bien que ce ne soit pas la solution préférée, la fonctionnalité clé du véhicule dans le détecteur peut être reconfigurée pour permettre une marge de sécurité et empêchera le véhicule équipé d'un commutateur de démarrage au neutre mécanique de démarrer lorsque le moteur est en prise. AUDIOVOX CONSEILLE DE CONSERVER LE CIRCUIT INSTALLÉ EN USINE CHAQUE FOIS QUE CELA EST POSSIBLE. Les deux circuits suivants peuvent être utilisés uniquement si le circuit ci-dessus n'est pas disponible.

**REMARQUE :** Lorsqu'on termine une installation utilisant l'un ou l'autre des circuits avec clé dans les circuits de détection suivants, si l'opérateur introduit la clé de contact pendant que le véhicule est en marche sous contrôle de l'unité de télé-démarrage, le véhicule s'arrête. Ceci doit être expliqué à l'opérateur car il s'agit d'une fonctionnalité différente de celle du fonctionnement normal d'un véhicule utilisant un commutateur de démarrage au neutre électrique et n'est pas en accord avec le manuel d'utilisation.

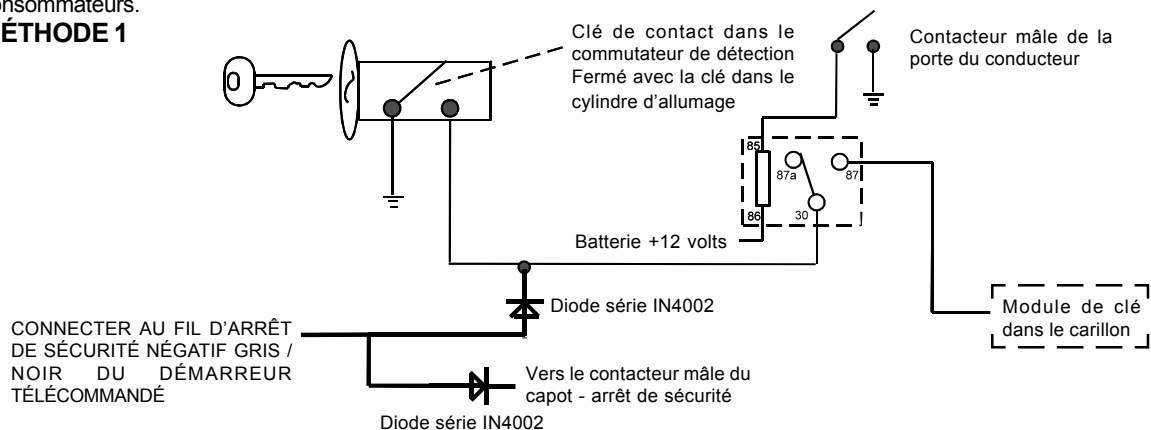
Des renseignements supplémentaires concernant les méthodes 1 et 2 sont indiqués ci-dessous et il faut les consulter avant de considérer l'une ou l'autre de ces solutions.

La méthode 1 assure la sécurité exigée pour faire démarrer l'unité avec la télécommande et empêcher que le véhicule ne démarre pendant qu'il se trouve sur une position de vitesse autre que le frein parking ou le neutre lorsque la clé de contact se trouve dans le cylindre d'allumage. Toutefois, si la clé reste dans le commutateur d'allumage et que la porte soit ouverte, le relais ajouté s'excite et provoque une décharge de 150 mA sur la batterie.

La méthode 2 assure la sécurité exigée pour faire démarrer l'unité avec la télécommande et empêcher que le véhicule ne démarre pendant qu'il se trouve sur une position de vitesse autre que le frein parking ou le neutre lorsque la clé de contact se trouve dans le cylindre d'allumage. Toutefois, le module d'origine installé en usine, pour la clé dans le carillon, n'alertera pas le propriétaire que la clé est restée dans le cylindre d'allumage. En outre, ceci peut avoir d'autres effets affectant les tonalités d'avertissement, telle celle du rappel d'éclairage allumé.

Ces situations doivent être étudiées avec soin avant de modifier le câblage du véhicule et doivent être expliquées aux consommateurs.

### MÉTHODE 1

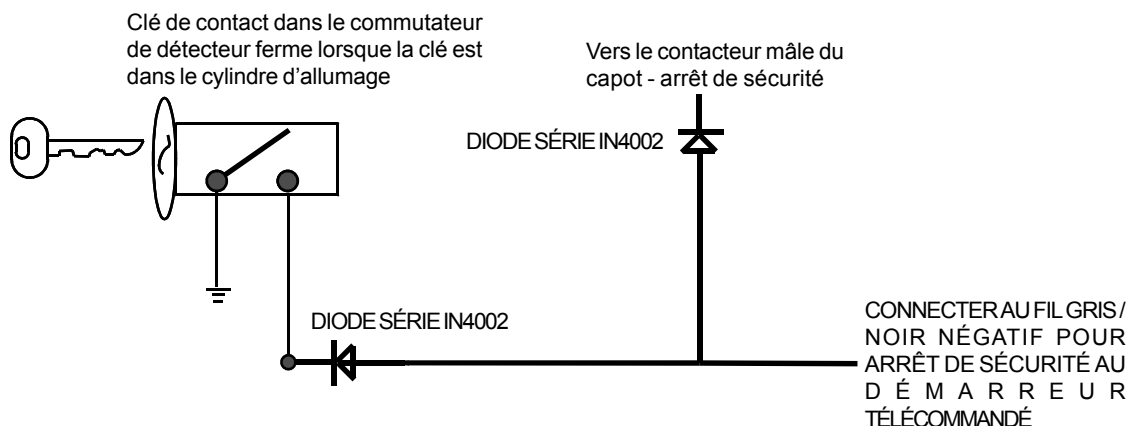


Pour connecter à la clé dans le détecteur comme indiqué dans la Méthode 1, procéder comme suit :

- Repérer le fil de commande qui connecte le contacteur mâle de la porte du conducteur au commutateur de clé dans le détecteur.
- Couper ce fil et connecter le côté cylindre d'allumage à la masse du châssis.
- Repérer le fil du commutateur de clé dans le détecteur qui connecte le module du carillon au cylindre d'allumage.
- Couper ce fil et connecter le côté cylindre d'allumage à la borne n° 30 d'un relais P&B VF45F 11 ou équivalent.
- Connecter le côté de la cathode (dénudée) d'une diode de série 4002 à ce même fil, et connecter le côté (non dénudé) au fil négatif d'arrêt de sécurité (Gris / Noir) de l'unité de télé-démarrage Audiovox.
- Connecter la borne 86 du relais à une source de batterie de tension +12 volts constante protégée par fusible.
- Connecter la borne 87 du relais au côté module de carillon du fil précédemment coupé à l'étape D.
- Connecter la borne 85 du relais au côté porte de conducteur au fil du contacteur mâle précédemment coupé à l'étape B.

**REMARQUE :** une seconde diode de la série 4002 peut être requise pour maintenir l'intégrité du circuit d'ouverture de capot de moteur et d'arrêt. Lorsque ceci est le cas, elle doit être installée comme indiqué sur le schéma ci-dessus. Le côté anode (non dénudé) doit être connecté au fil Gris / Noir de l'unité de télé-démarrage. Le côté cathode (dénudé) doit être connecté au contacteur mâle du capot de moteur. Si le contacteur mâle du capot est aussi utilisé comme entrée de déclencheur d'alarme, il faut s'assurer que l'on utilise l'ensemble de diode double compris dans l'emballage de l'unité de télé-démarrage Audiovox, comme indiqué dans le Guide d'installation (Page 31).

## MÉTHODE 2



Pour connecter le circuit de la clé dans le détecteur comme indiqué dans la méthode 2, procéder comme suit :

- Repérer le fil de commande qui connecte le contacteur mâle de la porte du conducteur au commutateur de clé dans le détecteur.
- Couper ce fil et connecter le côté cylindre d'allumage à la masse du châssis.
- Repérer le fil du commutateur de clé dans le détecteur qui connecte le module du carillon au cylindre d'allumage.
- Couper ce fil et connecter le côté cylindre d'allumage au fil négatif d'arrêt de sécurité (Gris / Noir) de l'unité de télédémarage à l'aide d'une diode de série 4002, comme illustré ci-dessus.

**REMARQUE :** une seconde diode de la série 4002 peut être requise pour maintenir l'intégrité du circuit d'ouverture de capot de moteur et d'arrêt. Lorsque ceci est le cas, elle doit être installée comme indiqué sur le schéma ci-dessus. Le côté anode (non dénudé) doit être connecté au fil Gris / Noir de l'unité de télédémarage. Le côté cathode (dénudé) doit être connecté au contacteur mâle du capot de moteur. Si le contacteur mâle du capot est aussi utilisé comme entrée de déclencheur d'alarme, il faut s'assurer que l'on utilise l'ensemble de diode double compris dans l'emballage de l'unité de télédémarage Audiovox, comme indiqué dans le Guide d'installation (Page 31).

APRÈS AVOIR EFFECTUÉ LA CONNEXION DU FIL DE SÉCURITÉ DU DÉMARRAGE AU NEUTRE, COMME INDIQUÉ DANS L'UNE OU L'AUTRE DES SOLUTIONS DE CONFIGURATION PRÉSENTÉES CI-DESSUS, LE CIRCUIT DOIT ÊTRE TESTÉ ET SON BON FONCTIONNEMENT CONFIRMÉ. Refaire les tests en suivant les étapes indiquées sous la rubrique TEST DE SÉCURITÉ DU DÉMARRAGE AU NEUTRE du présent manuel.

### POUR TERMINER L'INSTALLATION :

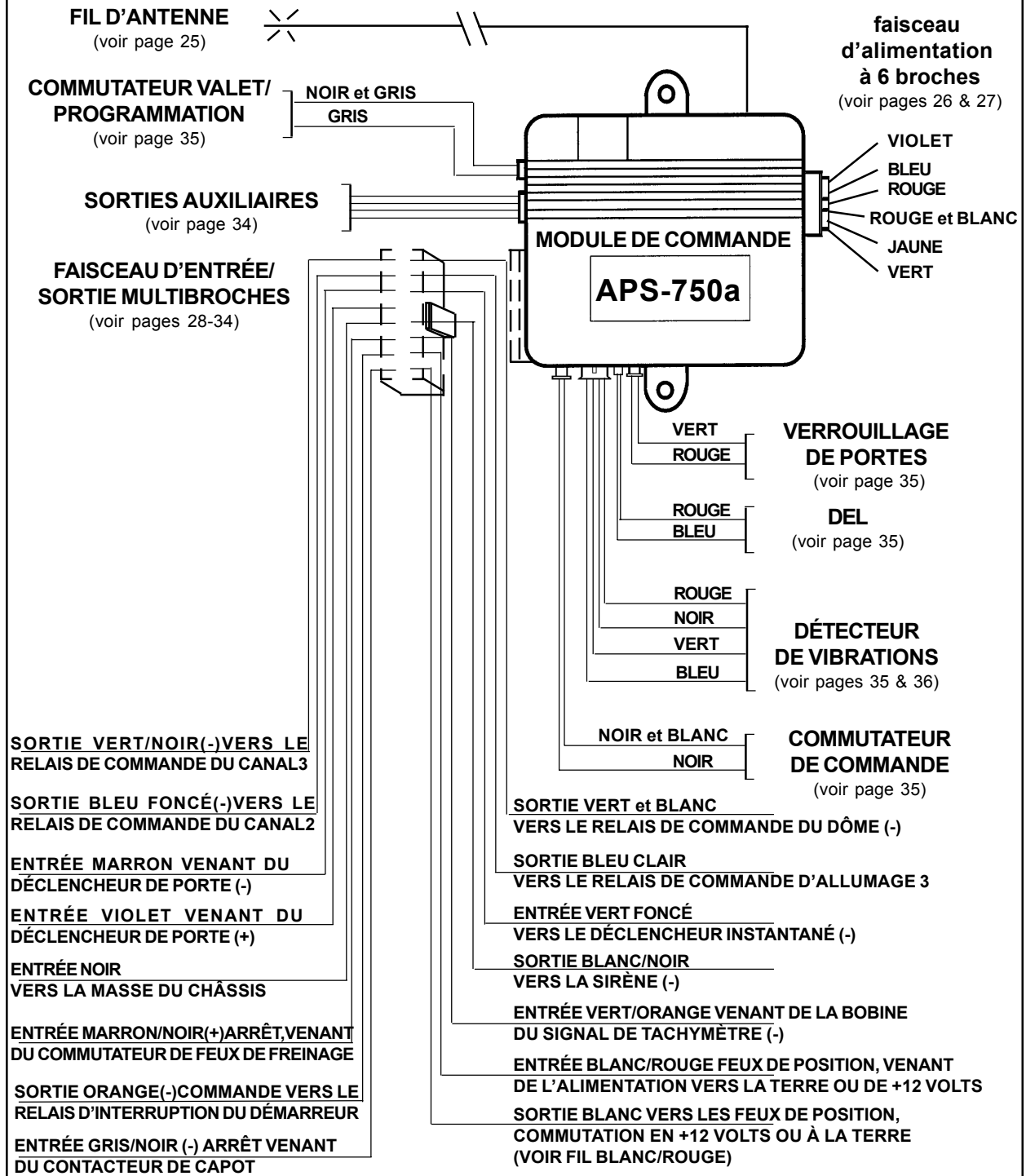
Après avoir confirmé le bon fonctionnement de l'unité de télédémarage Audiovox et testé toutes les fonctions de sécurité du système :

- Si cela n'a pas déjà été fait, placer le manchon en caoutchouc rouge sur la manette du commutateur de commande pour faciliter son identification. Ceci permettra à votre client de distinguer le commutateur de commande du démarreur télécommandé du commutateur de programmation.
- Monter le module de commande verticalement et derrière le tableau de bord et le fixer en place à l'aide d'attaches de câble ou de vis. S'assurer que l'emplacement de montage choisi n'interférera pas avec les commandes du véhicule.
- Attacher et fixer solidement tout le câblage pour qu'il soit éloigné des pièces chaudes et mobiles avec lesquelles il pourrait entrer en contact sous le tableau de bord ou dans les zones du compartiment moteur.

**ATTENTION :** Il faut éviter en particulier les zones entourant la colonne de direction car les fils pourraient s'enrouler autour de la colonne et ces mécanismes et porter atteinte à la sécurité du véhicule.

- Appliquer les étiquettes d'avertissement fournies avec le nécessaire dans une zone bien visible du compartiment moteur. Bien nettoyer la surface d'adhésion avant d'appliquer les étiquettes.
- Vérifier les essuie-glace, les feux et phares, l'avertisseur sonore, etc. du véhicule et confirmer leur bon fonctionnement.
- Remonter tous les panneaux déposés au cours de l'installation et retester le système.
- Expliquer au client les fonctions activées et les systèmes de sécurité associés à l'unité de télédémarage installée.

## SCHÉMA DE CÂBLAGE





## Modelo APS 750a Manual de instalación

### **Arrancador remoto de automóvil con 4 canales con un sistema completo de alarma Instrucciones de instalación**

Esta unidad se puede instalar en vehículos con sistemas eléctricos con conexión a tierra negativa de 12 voltios, motores de gasolina y con transmisión automática solamente.

#### **Contenido del kit:**

- Módulo de control APS-750a
- (2) Transmisores de llavero con 3 botones
- Receptor con captación de código de 4 canales
- Antena de amplio alcance
- Sirena de seis tonos
- (1) Arnés de cableado de entrada / salida con múltiples clavijas
  - (1) Arnés de alimentación eléctrica con seis clavijas
  - (1) Arnés de salida auxiliar con cuatro clavijas
  - (1) Indicador LED con dos clavijas
- (1) Interruptor valet / programación con dos clavijas
  - (1) Interruptor de control con dos clavijas
- (1) Arnés del detector de choque con cuatro clavijas
  - (1) Arnés de trabado de puertas con dos clavijas
  - (1) Relé y enchufe para bloquear el arrancador
  - (2) Portafusibles en línea de 30 amp. con fusibles
- (1) Bolsa con piezas y componentes para interruptores de clavija
  - (2) Etiquetas de precaución para poner debajo del capó
    - (1) Manual de instalación
    - (1) Manual para el operador
    - (1) Garantía limitada
  - (2) Calcomanías para las ventanillas

El sistema de arranque remoto y alarma APS 750a es para vehículos con transmisión automática solamente. La unidad no tiene salida para precalentamiento de bujía incandescente y no es recomendable para vehículos diesel. Si el motor diesel tiene una entrada de señal de taquímetro, (sin sistema de precalentamiento de bujía incandescente) y transmisión automática, se puede usar esta unidad. En el caso de aplicaciones diesel, consulte a su representante para averiguar sobre el tipo de sistema de contacto de su vehículo en particular.

## **INSTALACIÓN DE LOS COMPONENTES PRINCIPALES**

### **MÓDULO DE CONTROL:**

Elija un lugar de montaje adentro del compartimiento del pasajero (detrás del tablero de instrumentos). El lugar de montaje debe estar a unas 24 pulgadas del cableado del interruptor de encendido para permitir la conexión del arnés de cables principal de 6 clavijas.

Asegúrese de que el lugar elegido no interfiera con la operación adecuada del vehículo. Evite montar el módulo o encaminar los cables alrededor del eje/la columna de la dirección, dado que el módulo o los cables pueden estorbar o bloquear el volante e impedir el control del vehículo. Asegure el módulo en el lugar elegido usando amarres para cables o tornillos si es necesario.

No monte el módulo en el compartimiento del motor dado que no es impermeable.

### **SIRENA:**

Elija un lugar en el compartimiento del motor que no sea accesible desde abajo del vehículo. El lugar elegido debe estar alejado o separado de las piezas calientes o móviles que hay en el compartimiento del motor. La sirena tiene que estar apuntando hacia abajo para evitar la retención de agua y el extremo ancho debe apuntar hacia afuera del compartimiento del motor para lograr una máxima distribución del sonido. Antes de fijar la sirena, fíjese detrás del lugar elegido para asegurarse de que los tornillos de montajes no penetren en ningún cable instalado en fábrica o en los conductos de los líquidos o fluidos. Sujete el soporte de montaje de la sirena con tornillos #8, o bien use primero el soporte de montaje como plantilla, y marque los tres orificios para el soporte de montaje. Perfore los tres orificios marcados con una mecha de taladro de 1/8 pulgadas y luego coloque la sirena usando tornillos de metal #8.

### **INTERRUPTORES DE CLAVIJA PARA EL CAPÓ Y BAÚL:**

Los interruptores de clavija que se incluyen en este paquete tienen por objeto proteger el capó y el baúl del vehículo. En todos los casos, se debe montar el interruptor en una superficie metálica conectada a tierra. Cuando se activa el interruptor de clavija (se abre el capó / baúl), proporcionará una conexión a tierra al cable de entrada que activa la alarma. Además, se requiere el interruptor del capó para apagar la unidad de arranque remoto. Si se está trabajando en el vehículo, este interruptor de capó previene la activación del arranque remoto aun cuando se emita el comando RF para arrancar. Este interruptor debe instalarse en todas las aplicaciones. Si no se lo instala, se puede provocar lesiones personales o daños físicos. Instale los interruptores en el capó y el baúl lejos de los desagües de agua. Si es necesario, se puede usar los soportes provistos para mover al interruptor lejos de las canaletas de agua o permitir el montaje en el muro contrafuego detrás del sellante del capó. En ambos casos, se debe colocar el interruptor como para permitir que el capó o la puerta del baúl oprima el interruptor ¼ de pulgada, por lo menos, al cerrar el capó o el baúl y que quede totalmente extendido cuando se abre el capó o el baúl. Para un montaje directo, se debe perforar un orificio de ¼ pulgada. Fíjese bien detrás del lugar elegido para asegurarse de que el taladro no penetre ningún cable o conducto para líquido que ya venga instalado de fábrica. Perfore un orificio de ¼ pulgada en el lugar deseado y coloque el interruptor de clavija usando una llave para tuercas de 7/16 pulg. o un encastre profundo. Si usa el soporte de montaje, coloque primero el soporte en el lugar deseado e instale el interruptor de clavija en el orificio del soporte de montaje roscado.

### **INDICADOR L.E.D. PARA EL TABLERO DE INSTRUMENTOS:**

El pequeño indicador LED rojo que viene en el kit sirve como indicador visual del estado de la alarma y proporciona un elemento de disuasión visual para un posible ladrón. El indicador LED proporciona también información importante durante los modos de programación del transmisor y de las funciones. Se debe instalar el LED en el tablero de instrumentos, en un lugar que sea bien visible para que se pueda ver fácilmente desde el asiento del conductor así como desde afuera del vehículo. Fíjese bien detrás del lugar elegido para asegurarse de que el taladro no penetre ningún cable o conducto para líquidos o fluidos que ya venga instalado de fábrica. Perfore un orificio de ¼ pulgada en el lugar deseado y pase el extremo del conector del LED por el orificio y hacia el módulo de control. Apriete con firmeza el LED hasta que quede bien asentado en el orificio de montaje.

**LA ANTENA EXTENSORA DEL ALCANCE:**

La antena extensora del alcance que trae esta unidad permite la instalación debajo del tablero de instrumentos para lograr un máximo rango de operación. Elija un lugar por encima de la línea del cinturón (tablero) del vehículo para lograr una mejor recepción. Algunos vehículos más nuevos utilizan un vidrio con protección metálica que bloqueará o restringirá la recepción RF. En estos vehículos, pase el extremo expuesto (no protegido) hacia una ventanilla posterior para lograr una mejor recepción. Fije este extremo con una cinta adhesiva doble o una cola de pegar instantánea. Después de hacerlo, le sugerimos que fije una sección del cable de la antena a un punto fijo. De esta manera evitará que la antena se caiga en caso de que la cinta adhesiva doble esté expuesta a un gran calor que pueda aflojar la superficie engomada.

**INTERRUPTOR VALET / PROGRAMACIÓN / CAPTURA MANUAL:**

Elija un lugar de montaje al que el operador del vehículo tenga fácil acceso. No es necesario ocultar el interruptor, pero se recomienda hacerlo ya que ofrece un mayor nivel de seguridad. Se puede montar el interruptor en el panel inferior del tablero en el área del conductor. Asegúrese de fijarse detrás del tablero para comprobar si hay el suficiente espacio para la caja del interruptor y para confirmar que el taladro no vaya a dañar ninguno de los componentes existentes cuando pase a través del tablero de instrumentos. Perfore un orificio de ¼ pulgadas en el lugar deseado e instale el interruptor pasándolo por el panel desde la parte de abajo. Fije el interruptor con una tuerca, una arandela estrella y una placa con la inscripción "on/off". Se sugiere que el interruptor quede colocado de manera tal que la posición "on" (encendido) esté hacia arriba o hacia el conductor y la posición "off" (apagado) hacia abajo o más lejos del conductor. Ponga el conector del interruptor hacia el módulo de control.

**INTERRUPTOR DE CONTROL:**

Elija un lugar de montaje que sea accesible para el operador del vehículo, como por ejemplo un panel inferior del tablero, un panel protector o la guantera. Inspeccione detrás del lugar elegido para asegurarse de que hay lugar suficiente para la caja del interruptor y también para comprobar que el taladro penetrará sin dañar ningún cable o conducto ya instalado de fábrica. Perfore un orificio de ¼ pulgadas en el lugar deseado y monte el interruptor pasándolo por el panel desde la parte de abajo. Fije el interruptor con una tuerca, una arandela estrella y una placa con la inscripción "on/off". Se sugiere que el interruptor quede colocado de manera tal que la posición "on" (encendido) esté hacia arriba o hacia el conductor y la posición "off" (apagado) hacia abajo o más lejos del conductor. Ponga el conector del interruptor hacia el módulo de control. Coloque el manguito ROJO, que viene con el kit, sobre la palanquita del interruptor para diferenciarlo del interruptor valet/programación.

**DETECTOR DE CHOQUE:**

Elija un lugar de montaje que sea sólido y esté ubicado en el centro para que el detector de choque permita una operación uniforme desde todas las áreas del vehículo. El lugar elegido debe estar a 18 pulgadas del módulo de control para permitir pasar y conectar el arnés de 4 clavijas. Fije el detector de choque al lugar elegido usando dos tornillos metálicos #8. Se puede colocar el detector sobre un soporte que ya tenga el tablero, usando correas para atar cables. En cualquiera de los dos métodos de montaje, asegúrese de dejar acceso al potenciómetro de ajuste de sensibilidad para usarlo más adelante en la instalación.

**RELÉ DE BLOQUEO DEL ARRANCADOR:**

Elija un lugar de montaje que esté a 12 pulgadas del cable de solenoide de arranque con poca corriente del interruptor de encendido. Fije el relé a un arnés que ya exista en el lugar elegido usando un amarre para cables alrededor del arnés de cables del relé. Cuidado: no ate con cable el soporte de metal a un arnés de cables que ya exista, dado que la vibración puede ocasionar fricción y corto circuitos que dañen el cableado de fábrica. Si no hay un arnés de cables, entonces fije la aleta de montaje metálica del relé a un soporte metálico debajo del tablero con un tornillo metálico #8. Conecte el relé siguiendo el diagrama que se encuentra más adelante en este manual.

El sistema APS 750a es para vehículos con **TRANSMISIÓN AUTOMÁTICA** solamente. Si bien se trata de un sistema sofisticado, con múltiples funciones de seguridad incorporadas, **NO SE DEBE** instalar en vehículos con transmisión manual, en caso contrario se puede ocasionar lesiones corporales serias y daños físicos.

**IMPORTANTE:** NO ENCHUFE EL ARNÉS DE ALIMENTACIÓN PRINCIPAL DE SEIS CLAVIJAS O EL ARNÉS DE ENTRADA/SALIDA DE 12 CLAVIJAS EN EL MÓDULO DE CONTROL DEL ARRANQUE REMOTO HASTA TANTO SE HAYAN HECHO TODAS LAS CONEXIONES AL VEHÍCULO. DESPUÉS DE SELECCIONAR LOS CABLES CORRESPONDIENTES, SEGÚN SE INDICA A CONTINUACIÓN, DESCONECTE EL CABLE NEGATIVO DE LA BATERÍA ANTES DE EFECTUAR LAS CONEXIONES.

### CONEXIONES DE CABLEADO DEL ARNÉS DE ALIMENTACIÓN PRINCIPAL DE 6 CLAVIJAS

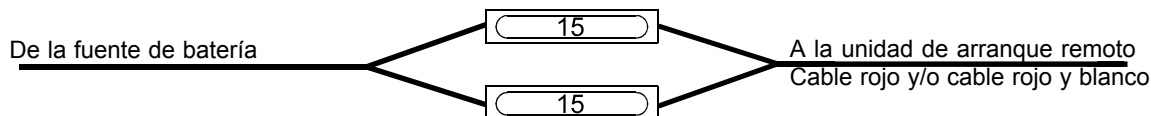
**Cable testigo ROJO Y BLANCO:** Fuente Batería 1 de +12 V CC

Conecte este cable a la fuente constante de +12 V CC que hay en el interruptor de encendido del vehículo con el fusible de 30A provisto.

**Cable ROJO:** Fuente Batería 2 de +12 V CC

Conecte este cable a la fuente constante de +12 V CC que hay en el interruptor de encendido del vehículo, pero NO al mismo cable que la fuente Batería 1. La mayoría de los vehículos tienen múltiples alimentadores de la batería de +12 V CC en el interruptor de encendido del vehículo. Se debe usar cables alimentadores separados para los cables rojo y rojo y blanco. Si el vehículo no tiene dos cables alimentadores de +12 V CC, como mínimo, entonces es posible conectar ambos cables a la batería del vehículo.

**IMPORTANTE:** El técnico de instalación tiene la responsabilidad de determinar el factor de carga de los circuitos eléctricos del vehículo cuando el vehículo está en funcionamiento y poner los fusibles que correspondan a los dos cables de alimentación en base a dicha carga. Si el vehículo, al funcionar bajo carga con el aire acondicionado, el motor del ventilador de calefacción y accesorios, excede 24 amperes continuos, recomendamos usar dos fusibles en combinación con cada cable de alimentación según se ilustra a continuación. Para obtener más información, consulte el boletín Tech Update del 30/9/96.



**Cable AMARILLO:** Salida del arrancador

**Es necesario tener mucho cuidado al conectar este cable a efectos de evitar que el vehículo arranque cuando esté en una marcha. Entender la diferencia entre un interruptor de arranque neutral mecánico y uno eléctrico le permitirá identificar adecuadamente el circuito y elegir el método correcto de instalación. Además, se dará cuenta por qué la conexión del cable de seguridad es necesaria para todas las configuraciones de interruptores mecánicos.**

Si esta conexión no se hace bien, se puede provocar lesiones corporales y daños físicos.

En todas las instalaciones, el técnico de instalación tiene la responsabilidad de probar la unidad de arranque remoto y asegurarse de que el vehículo no pueda arrancar mediante el control RF en alguna marcha que no sea la posición de estacionamiento o punto neutro.

Tanto en las configuraciones de interruptor de arranque neutral mecánico como eléctrico, la conexión del cable amarillo se hará al cable de solenoide de arranque de poca corriente del arnés del interruptor de contacto. Este cable tendrá +12 voltios cuando se ponga la llave de contacto en la posición "START" o "CRANK" (arranque) y 0 voltios cuando la llave de contacto esté en cualquier otra posición.

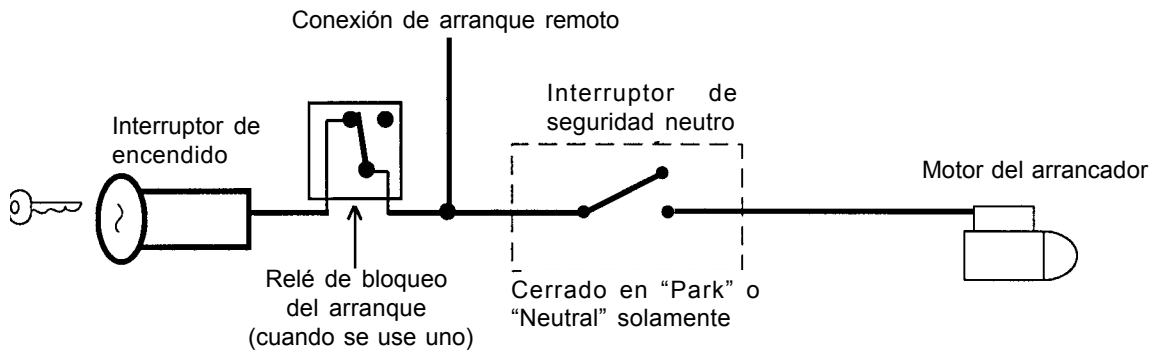
**NOTA:** Este cable debe estar conectado al lado del vehículo donde está el relé de corte del arrancador (cuando se use uno). Para la configuración de interruptor neutro eléctrico, se debe hacer esta conexión entre el relé de bloqueo del arrancador (cuando se use uno) y el interruptor de seguridad neutro según se ilustra en el siguiente diagrama.

Si no se conecta este cable al lado de interruptor de encendido del interruptor de seguridad neutro, se puede ocasionar lesiones corporales y daños físicos.

CONSULTE LA PRUEBA DE SEGURIDAD DE ARRANQUE NEUTRO PARA OBTENER MÁS DETALLES.



### DETALLE DEL CABLE DE ARRANQUE AMARILLO



#### Cable AZUL: Salida de encendido 1

Conecte este cable al cable de encendido 1 del arnés del interruptor de encendido. Este cable tendrá +12 voltios cuando la llave de contacto se encuentre en las posiciones "RUN" u "ON" (encendido) y "START" o "CRANK" (arranque) y 0 voltios cuando la llave de contacto esté en las posiciones "OFF" (apagado) y "ACCESSORY" (accesorios).

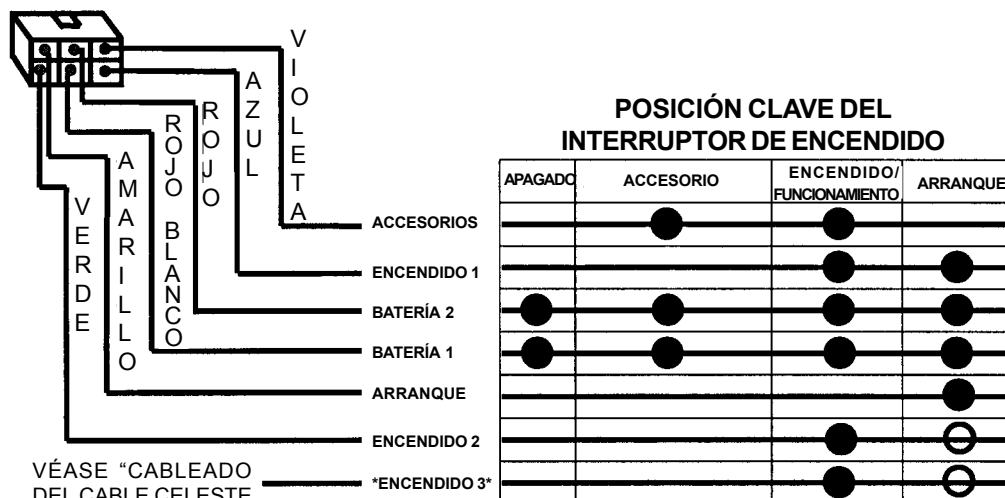
#### Cable VERDE CLARO: Salida de encendido 2

Conecte este cable al cable de encendido 2 del interruptor de encendido. Este cable tendrá +12 voltios cuando la llave de contacto se encuentre en las posiciones "RUN" u "ON" (encendido) y, en algunos casos, las posiciones "START" o "CRANK" (arranque) y 0 voltios cuando la llave de contacto esté en las posiciones "OFF" (apagado) y "ACCESSORY" (accesorios).

#### Cable VIOLETA: Salida de accesorios

Conecte este cable al cable de accesorios del interruptor de encendido. Este cable tendrá +12 voltios cuando la llave de contacto se encuentre en las posiciones ACCESSORY (accesorios) y "RUN" u "ON" (encendido) y 0 voltios cuando la llave de contacto esté en las posiciones "OFF" (apagado) y "START" o "CRANK" (arranque).

### CABLEADO DEL ARNÉS DE ALIMENTACIÓN PRINCIPAL DE 6 CLAVIJAS



#### POSICIÓN CLAVE DEL INTERRUPTOR DE ENCENDIDO

APAGADO	ACCESORIO	ENCENDIDO/ FUNCIONAMIENTO	ARRANQUE
	●	●	
		●	●
●	●	●	●
●	●	●	●
			●
		●	○
		●	○

+12 V CC EN LA POSICIÓN INDICADA PARA LA LLAVE  
 PUEDE SER +12 V CC EN LA POSICIÓN INDICADA PARA LA LLAVE  
 \* ESTE CIRCUITO NO SE REQUIERE SIEMPRE PARA INSTALACIÓN

### CONEXIONES DE CABLEADO: Arnés de entrada / salida de múltiples clavijas

**Cable testigo blanco con rojo:** Alimentación del destellador de las luces de estacionamiento

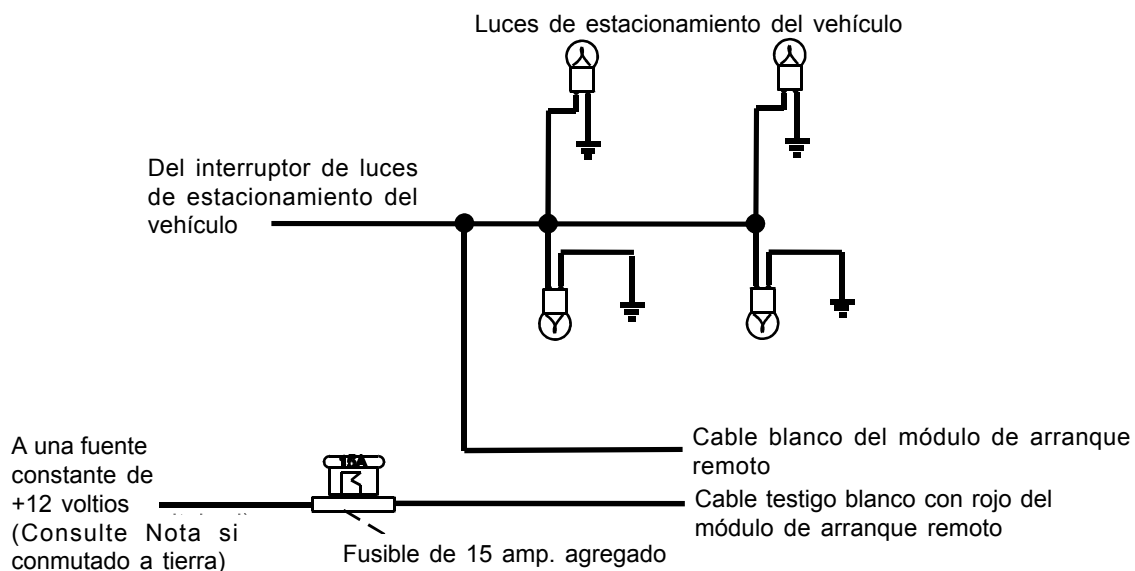
Este cable es el contacto común del relé del destellador de las luces de estacionamiento. Si las luces de estacionamiento del vehículo están en un sistema conmutado de +12 voltios, conecte este cable a una fuente de batería de +12 voltios (15A máx.)

**NOTA:** Si las luces de estacionamiento del vehículo están en un sistema conmutado de conexión a tierra del chasis, conecte este cable a una fuente de conexión a tierra del chasis.

**Cable blanco:** Salida del destellador de las luces de estacionamiento

Este cable es el contacto normalmente abierto del relé del destellador de las luces de estacionamiento. Conecte este cable al cable de alimentación de las luces de estacionamiento del vehículo. Consulte el diagrama que aparece a continuación para obtener información detallada sobre los circuitos de las luces de estacionamiento conmutadas.

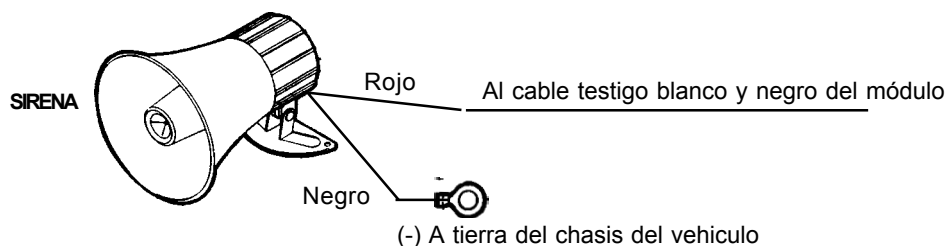
#### Detalle del cableado de las luces de estacionamiento



**Cable testigo blanco y negro:** Salida de sirena (+)

Es una cable de alimentación positiva de la sirena. Pase este cable por un ojal del muro contrafuego hacia el lugar de la sirena. Conecte el cable testigo blanco y negro de la sirena. Fije el cable negro de la sirena a una conexión a tierra del chasis o a una superficie metálica limpia y sólida.

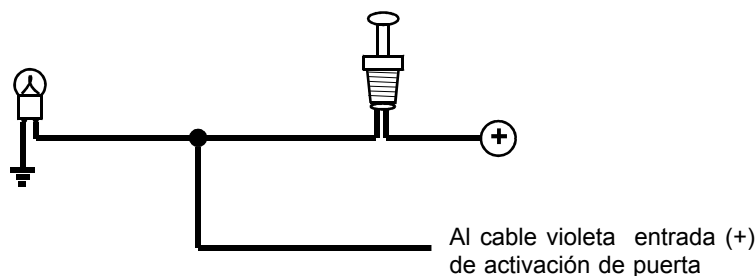
#### Detalle del cableado de la sirena



**Cable violeta:** Entrada (+) de activación de puertas

Si la luz de estribo de la puerta del vehículo conmuta +12 voltios cuando se abre la puerta (la mayoría de los automóviles Ford y algunos importados), debe conectar este cable a una salida positiva de uno de los interruptores de clavija de la puerta del vehículo. En la mayoría de los casos, el cable violeta tendrá que estar conectado solamente a un interruptor de puerta, independientemente de cuántas puertas tenga el vehículo, ya que la mayoría de los circuitos de iluminación de puertas están conectados en paralelo. Consulte el siguiente diagrama para obtener detalles de cableado.

**Detalle de cableado positivo del interruptor de puerta**

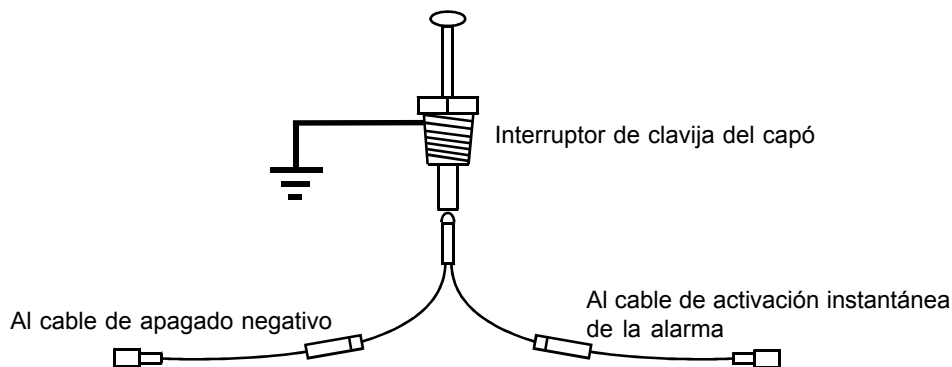


**Cable verde oscuro:** Entrada (-) de activación instantánea

Es el cable de entrada de activación instantánea o conexión a tierra. Este cable tiene que estar conectado a los interruptores de clavija del capó o baúl que se instalaron antes.

**Nota:** Este cable se derivará cuando se acceda al canal 2 del control remoto (desenganche del baúl). Este cable quedará derivado mientras hay una conexión a tierra y durante 5 segundos después de que se quite la conexión a tierra. Esto permite al operador abrir el baúl por medio de un transmisor remoto sin tener que desactivar primero el sistema de la alarma. Consulte el siguiente diagrama para obtener detalles del cableado.

**Detalle del interruptor de clavija para el capó**



**Cable CELESTE:** Salida 3 de encendido

Este cable celeste proporciona una salida a tierra de 300 mA y se activa 3 segundos antes de que se inicialice la unidad de arranque remoto y queda conectado a tierra durante otros 4 segundos después de haberse apagado la unidad de arranque remoto. En todas las aplicaciones que se describen a continuación, se requerirá un relé. La salida del cable celeste sirve las siguientes situaciones:

**A. Derivación del detector de choque:**

Si el sistema de alarma está conectado a un detector de choque y no está derivado durante el período de activación del arranque remoto, entonces la vibración ocasionada por el arranque remoto del vehículo puede activar la alarma. Si esto sucede, conecte el cable celeste al terminal 86 de un relé externo. Conecte el terminal 85 del relé a una fuente de batería de +12 voltios con fusible. Corte el cable de activación del detector de choque y conecte un lado del cable cortado al terminal 30 del relé. Conecte el otro lado del cable cortado al terminal 87a del relé. Justo antes de activar el arrancador remoto, se abrirán los contactos del relé impidiendo la operación del detector de choque hasta que se apague la unidad de arranque remoto.

**B. Salida 3 de encendido:**

Algunos vehículos nuevos usan un tercer cable de encendido que es necesario para mantener en funcionamiento el motor. Si sucede esto, conecte el cable celeste al terminal 86 del relé externo. Conecte los terminales 85 y 30 a una fuente de batería de +12 voltios que tenga fusibles o un mínimo de 25 Amp. Conecte el terminal 87 del relé externo al tercer cable de encendido del vehículo.

**C. Anulación de la llave del VATS de G.M.:**

Si el vehículo tiene instalado el sistema VATS de General Motors, tendrá que derivar la porción de corte del arrancador del sistema VATS. Para hacerlo:

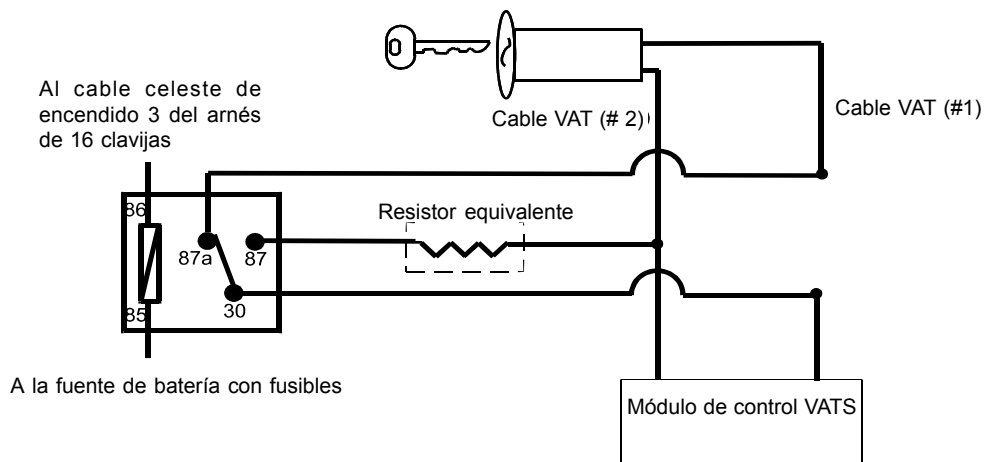
1. Mida la resistencia de la llave de contacto y consiga un resistor cuyo valor esté dentro del 5% del valor de la llave.
2. Ubique el par de cables VATS en el vehículo, normalmente un par de cables delgados que van del interruptor de encendido a la unidad de control VATS.

**NOTA:** Normalmente estos cables son un cable testigo blanco y negro y otro cable testigo violeta y amarillo, sin embargo, en el último modelo de Cadillac, pasan por una manga anaranjada y son los dos negros, o los dos amarillos, o bien los dos blancos. Consulte el manual de servicio de fábrica para obtener más información.

3. Conecte el cable celeste de la unidad de arranque remoto al terminal 86 de un relé externo. Conecte el terminal 85 del relé a una fuente de batería de +12 voltios con fusibles.
4. Corte el cable (#1) (como se ilustra) y conecte el lado del interruptor de encendido del cable cortado al terminal 87a del relé. Conecte el otro lado del cable cortado al terminal 30 del relé.
5. Conecte el resistor antes elegido del terminal 87 al segundo cable (#2) (como se ilustra).

**NOTA:** La información que antecede y el diagrama abajo corresponden al sistema GM VATS solamente. Para el sistema GM PASS LOCK, usted necesitará el módulo AS-PASS 11 de Audiovox.

**Diagrama de derivación VATS de General Motors**

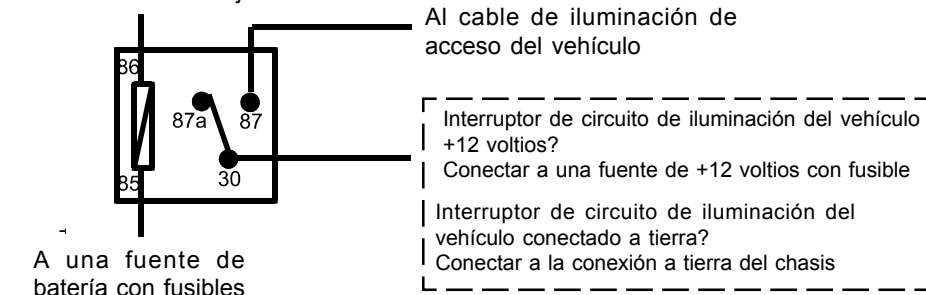


**Cable testigo verde y blanco:** Salida de conexión a tierra para la iluminación del acceso

Este cable proporciona una salida a tierra de 30 segundos (300 mA máx.) cuando se usa el control remoto para desactivar la alarma o destrabar las puertas y proporciona una salida pulsadora constante siempre que se activa la alarma. Se debe conectar este cable a un relé externo y a las luces interiores de acceso del vehículo cuando se desea un circuito opcional de iluminación interior. Consulte a continuación para obtener más detalles sobre el cableado del relé.

**Detalle de iluminación de acceso**

Al cable testigo verde oscuro y blanco del arnés de 16 clavijas

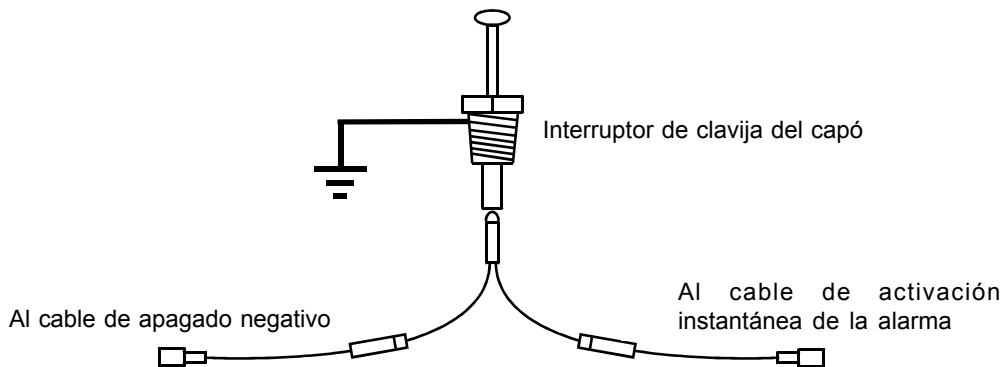


**Cable testigo gris y negro:** Entrada negativa de bloqueo

Toda vez que se conecte el cable testigo gris y negro a tierra, el módulo de control de arranque remoto dejará de funcionar. Conecte el cable testigo gris y negro al interruptor de clavija del capó que se instaló antes. Se debe pasar este cable por un ojal del muro contrafuego y conectarse al interruptor de clavija del capó. Si se va a usar el interruptor de clavija con el sistema de alarma, conecte este cable usando el conjunto de diodo provisto.

**IMPORTANTE:** Esta conexión es un cable de seguridad y debe conectarse como se ilustra y probarse como se indica. Si no se lo hace, es probable que se produzcan lesiones corporales o daños físicos. Consulte el detalle de cableado que aparece en el siguiente diagrama. También se puede usar este cable si el circuito de las luces de freno del vehículo conmuta la conexión a tierra a las luces de freno. Se debe usar un diodo de aislamiento para los circuitos de luces de freno conmutados a tierra y debe conectarse a la salida del interruptor de freno.

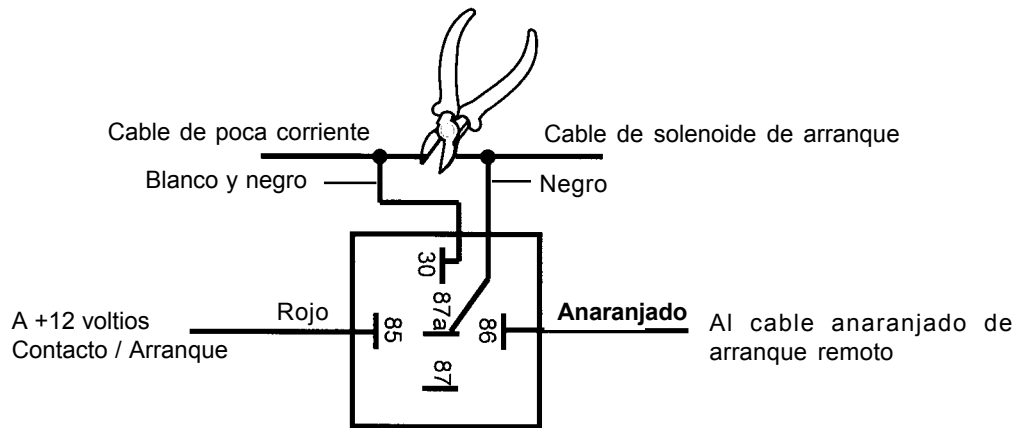
**Detalle de apagado de seguridad y bloqueo negativo del cable testigo gris y negro**



**Cable anaranjado:** Salida de conexión a tierra cuando está activado

Este cable proporciona una salida de conexión a tierra de 300 mA cuando se activa el circuito de alarma para controla el relé de bloqueo del arrancador. Conecte el cable anaranjado al terminal 86 (cable anaranjado) del relé provisto. Conecte el terminal 85 (cable rojo) del relé a un cable de encendido del vehículo que sea +12 voltios cuando el interruptor de encendido pase a las posiciones "on" (encendido) y "start" (arranque) y "off" (apagado) cuando la llave esté en "off". Ubique y corte el cable de solenoide de arranque de poca corriente que se encuentra en el arnés del interruptor de encendido del vehículo. Este cable tendrá +12 voltios cuando se mueva la llave de contacto a la posición de arranque (start) y tendrá 0 voltios en todas las otras posiciones de la llave. Conecte un lado del cable cortado al terminal 87a (cable negro) del relé. Conecte el otro lado del cable cortado al terminal 30 (cable negro y blanco) del relé. Consulte a continuación el detalle del cableado, así como también el detalle del cable amarillo de arranque para obtener información sobre las conexiones en los distintos vehículos.

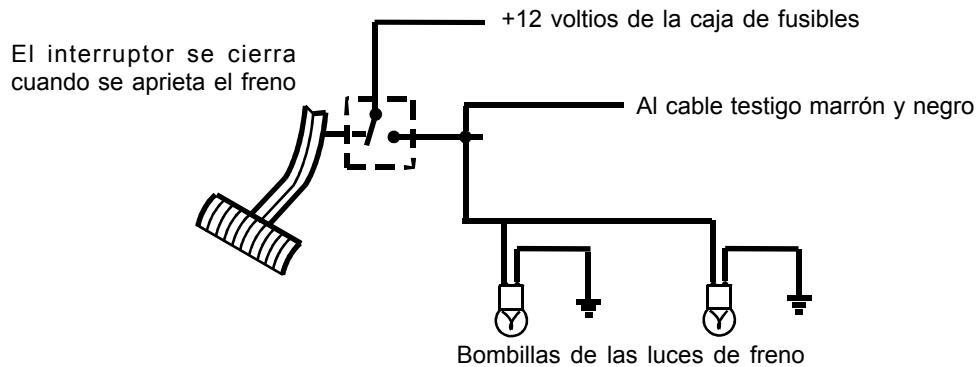
**Detalle de cableado para el bloqueo del arrancador**



**Cable testigo marrón y negro:** Entrada de bloqueo positivo

Toda vez que se conecte el cable testigo marrón y negro a una fuente de +12 voltios, el módulo de control de arranque remoto dejará de funcionar. Si el interruptor de las luces de freno del vehículo conmuta +12 voltios al circuito de las luces de freno, conecte el cable testigo marrón y negro al lado de la salida del interruptor de freno. De esta manera se apagará el arranque remoto si se intenta operar el vehículo sin la llave cuando funciona bajo el control del arranque remoto. En la mayoría de los vehículos, para poner una marcha, se debe apretar el pedal de freno. La entrada del freno hará que se cierre o apague la unidad de arranque remoto. Consulte el detalle del siguiente diagrama para cablear el circuito de las luces de freno.

**Detalle de apagado positivo del interruptor de freno**



**Cable negro:** Fuente de conexión a tierra del chasis

Conecte el cable negro a una fuente de conexión a tierra del vehículo o a otra parte metálica limpia y sólida del chasis. Asegúrese de quitar toda pintura o grasa que haya y fije este cable con un tornillo y un terminal de aro.

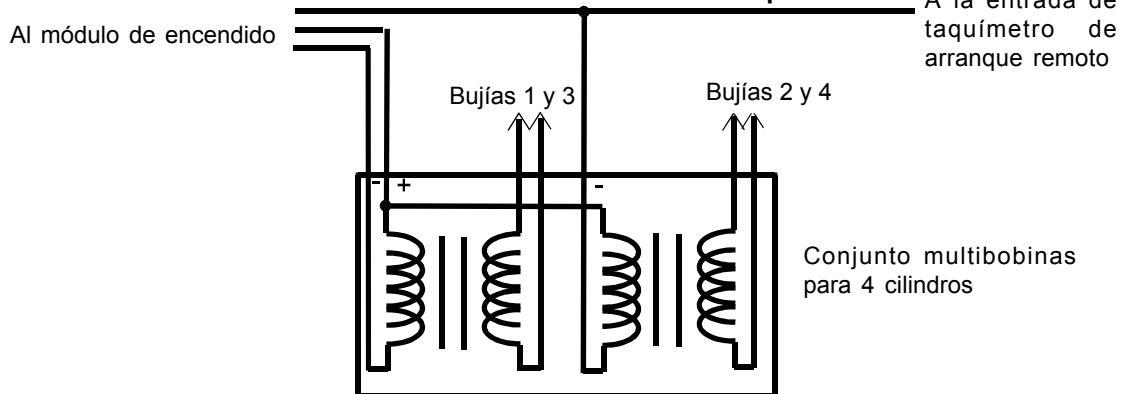
**Detalle de la conexión a tierra del chasis**



**Cable testigo verde y naranja:** Señal de entrada del taquímetro

Este cable controlará constantemente la velocidad de taquímetro del motor mientras la unidad se encuentra alimentada por el módulo de arranque remoto. Se pasará este cable a la entrada de taquímetro ECM del vehículo o por el muro contrafuego hacia el compartimiento del motor y se conectará al lado negativo de la bobina de encendido. Esta unidad de arranque remoto capta la velocidad del taquímetro del vehículo y, en la mayoría de los casos, funcionará bien desde un conjunto multibobinas, independientemente de la cantidad de cilindros. Si el vehículo tiene una sola unidad de bobina para cada cilindro, es probable que sea necesario conectar este cable a más de un cilindro para una adecuada referencia de taquímetro. Consulte el detalle de cableado de múltiples bobinas que aparece más adelante en este manual para obtener más información al respecto.

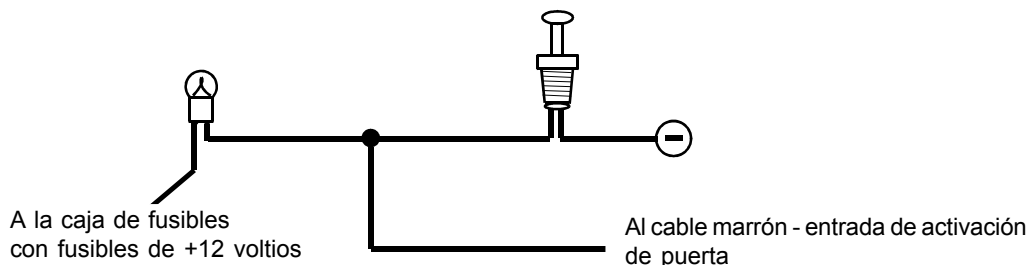
**Detalle de cableado de la entrada del taquímetro**



**Cable marrón:** Activación negativa de las puertas

Si la luz de estribo de la puerta del vehículo conmuta a tierra cuando se abre la puerta (la mayoría de los automóviles GM e importados), debe conectar este cable a una salida negativa de uno de los interruptores de clavija de la puerta del vehículo. En la mayoría de los casos, el cable marrón tendrá que estar conectado solamente a un interruptor de puerta, independientemente de cuántas puertas tenga el vehículo, ya que la mayoría de los circuitos de iluminación de puertas están conectados en paralelo. Consulte el siguiente diagrama para obtener detalles de cableado.

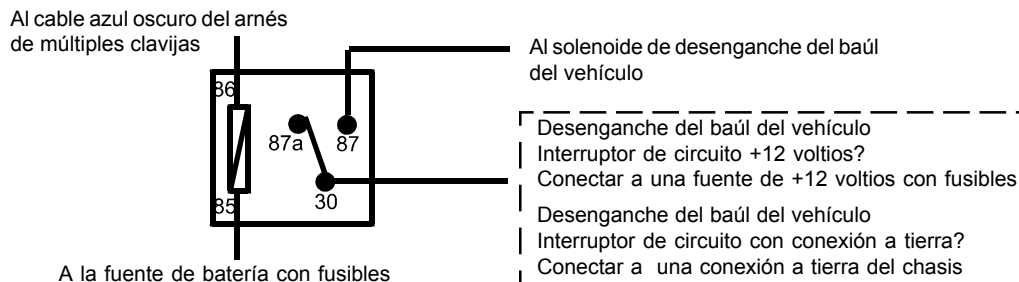
**Detalle de cableado negativo del interruptor de puertas**



**Cable azul oscuro:** Salida con impulsos y demorada del canal 2 de 300 mA

El cable azul oscuro proporciona una salida a tierra con impulsos de 300 mA cuando se accede al canal dos del receptor. Al oprimir el botón del transmisor preprogramado durante tres segundos, se accederá al canal dos. Se trata de una salida de baja corriente y debe conectarse a un relé para alimentar al desenganche del baúl o el circuito que desee controlar. Conecte el cable azul oscuro al terminal 86 de un relé VF45F11 P&B o equivalente. Conecte el terminal 85 del relé a una fuente de +12 voltios con fusibles. Conecte los contactos comunes, normalmente abiertos y normalmente cerrados del relé para realizar la función elegida del canal 2. Consulte el siguiente diagrama para obtener más detalles.

#### Detalle de cableado del relé del canal 2



**Cable testigo verde y negro:** Salida bloqueada de canal 3 de 300 mA

El cable testigo verde y negro proporciona una salida conmutada de 300 mA cuando se accede al canal 3 del receptor. Al oprimir el botón del transmisor preprogramado durante tres segundos, se accederá al canal tres. Se trata de una salida de baja corriente y debe conectarse a un relé para alimentar al dispositivo que desee controlar. Conecte el cable testigo verde y negro al terminal 86 de un relé VF45F11 P&B o equivalente. Conecte el terminal 85 del relé a una fuente de +12 voltios con fusibles. Conecte los contactos comunes, normalmente abiertos y normalmente cerrados del relé para realizar la función elegida de la salida del canal 3.

#### CABLEADO DEL ARNÉS DE SALIDA AUXILIAR DE 4 CLAVIJAS

El conector auxiliar de 4 clavijas proporciona salidas de baja corriente para controlar diversas funciones del vehículo durante las distintas etapas de la operación de la unidad de arranque remoto. El conocimiento de estas salidas y del momento en que ocurren le permitirá determinar si son necesarias para el tipo de vehículo con el que está trabajando, así como la forma de usarlas.

**Cable testigo negro y azul:** Salida a tierra con impulsos antes del arranque

El cable testigo negro y azul proporcionará una salida a tierra con impulsos de 300 mA 3 segundos antes de que se active la unidad de arranque remoto. El típico uso de esta salida sería desactivar un sistema de disuasión de robos instalado en fábrica para impedir una falsa activación de la alarma de fábrica cuando funciona la unidad de arranque remoto.

**Cable testigo negro y verde claro:** Salida a tierra con impulsos después del arranque

El cable testigo negro y verde claro proporcionará una salida a tierra pulsada de 300 mA después de que se arranque el vehículo con la unidad de arranque remoto. Normalmente se usará este cable para volver a trabar las puertas del vehículo si las puertas se destraban automáticamente cuando se desactiva el sistema antirrobo instalado en fábrica.

**Cable testigo negro y rojo:** Salida a tierra con impulsos después de apagar la unidad

El cable testigo negro y rojo proporcionará una salida a tierra con impulsos de 300 mA después que la unidad de arranque remoto deja de funcionar. Esta salida ocurrirá independientemente de que el circuito deje de funcionar por sí solo o se termine manualmente. Normalmente, se usará esta salida para volver a trabar las puertas del vehículo si las mismas se destraban automáticamente cuando el circuito de encendido pasa a "off" (apagado).

**Cable testigo negro y amarillo:** Salida a tierra con impulsos durante el arranque

El cable testigo negro y amarillo proporcionará una salida a tierra de 300 mA mientras esté activa la salida del arrancador de la unidad de arranque remoto. Esta salida puede usarse para activar el cable de prueba de la transmisión que tienen algunos vehículos GM. Este cable se conoce también con el nombre de cable ECM en algunos vehículos Chrysler.

**NOTA:** las salidas anteriores son salidas de baja o poca corriente y deben usarse con un relé si el circuito requiere más de 300 mA.



**Interruptor de control de 2 clavijas:** (conector rojo)

Los cables testigo negro y negro y blanco del conector rojo de 2 clavijas permiten la operación de la unidad de arranque remoto. Cuando el cable testigo negro y blanco está conectado a tierra, la unidad de arranque remoto funciona. Cuando este cable está abierto, el arranque remoto está desactivado. Pase los cables negro y negro y blanco del interruptor de control a la unidad de arranque remoto y enchufe el conector rojo de dos clavijas al correspondiente conector rojo de dos clavijas del módulo de control.

**Detector de choque de 4 clavijas:** (conector blanco)

Los cables rojo (+12 voltios), negro (tierra), azul (predetección) y verde (disparo completo cuando está activada) que tiene el conector blanco son las entradas / salidas del detector de choque. Pase el arnés de 4 cables del detector de choque a la unidad de control de arranque remoto y enchufe el conector blanco de 4 clavijas en el correspondiente conector de 4 clavijas del módulo de control. Nota: Al operar bajo el control de la unidad de arranque remoto, se derivará el detector de choque. Una vez que deje de funcionar el arranque remoto, se volverá a activar el detector de choque.

**Arnés de 2 clavijas del LED:** (Conector blanco)

Los cables rojo y azul del miniconector blanco de dos clavijas controlan el ánodo y cátodo del indicador LED montado en el tablero. Pase los cables rojo y azul del LED a la unidad de control de arranque remoto y enchufe el conector de dos clavijas en el miniconector blanco correspondiente del módulo de control.

**Interruptor valet / programación de 2 clavijas:** (Conector azul)

Los cables negro y gris del conector azul de dos clavijas representan la alimentación de conexión a tierra y la entrada programación / valet de la unidad de arranque remoto. Cuando el cable gris está conectado a tierra, en ciertas condiciones, la unidad entrará en el modo valet. Cuando el cable gris está conectado a tierra en otras condiciones, la unidad entrará en los diversos modos de programación. Pase los cables negro y gris del interruptor valet / programación a la unidad de arranque remoto y enchufe el conector de dos clavijas en el correspondiente conector azul del módulo de control. Consulte la programación remota, la programación de características y la programación de funciones que se ilustran más adelante en esta guía de instalación para obtener información sobre la operación del interruptor valet / programación.

**Arnés para trabar / destrabar puertas de 2 clavijas:** (Conector blanco)

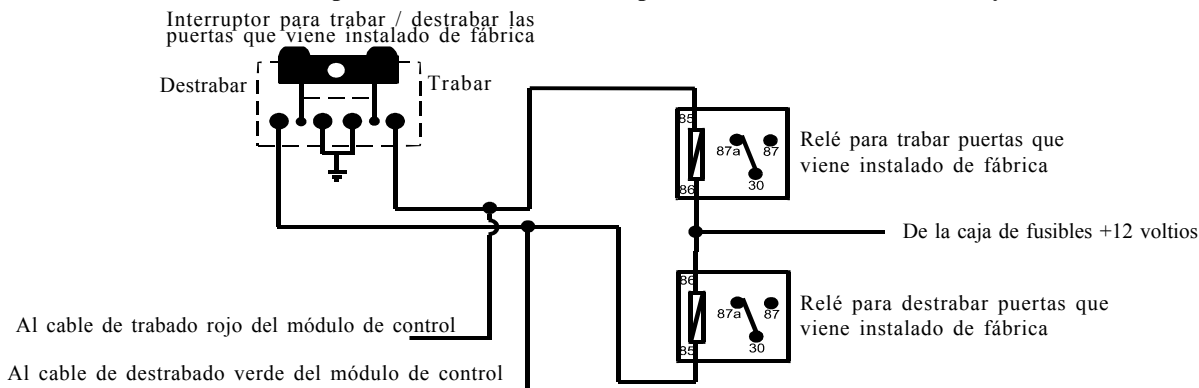
Los cables de salida para trabar / destrabar puertas de color rojo y verde proporcionan +12 voltios con impulsos o una conexión a tierra con impulsos para controlar los circuitos para trabar / destrabar las puertas del vehículo. La salida de estos cables tiene una capacidad máxima de conmutación de 300 mA. Actualmente, muchos vehículos tienen relés para trabar las puertas que pueden conectarse directamente a estas salidas, sin embargo, confirme siempre que los relés de fábrica del vehículo no excedan la salida nominal de 300 mA de los circuitos para trabar / destrabar puertas de la unidad. Enchufe el conector de dos clavijas del arnés para trabar / destrabar puertas en el correspondiente conector del módulo de control. Determine cómo es el circuito para trabar puertas del vehículo en el que se encuentra trabajando y tienda los cables de acuerdo con los diagramas que se ilustran.

**Circuitos conmutados a tierra de 3 cables para trabar puertas:**

En esta aplicación, el cable rojo del arnés de dos clavijas proporciona un impulso a tierra durante la secuencia de activación o una salida a tierra con impulsos para trabar puertas. Conecte el cable rojo al cable de señal a tierra de baja corriente del interruptor para trabar las puertas que viene instalado de fábrica al relé para trabar puertas de fábrica.

El cable verde del arnés de dos clavijas proporciona un impulso a tierra durante la secuencia de desactivación o una salida a tierra con impulsos para destrabar puertas. Conecte el cable rojo al cable de señal a tierra de baja corriente del interruptor para destrabar las puertas que viene instalado de fábrica al relé para destrabar puertas de fábrica. Consulte el siguiente diagrama decableado para obtener más detalles.

**Detalle de cableado para trabar / destrabar puertas conmutado a tierra y de 3 cables**

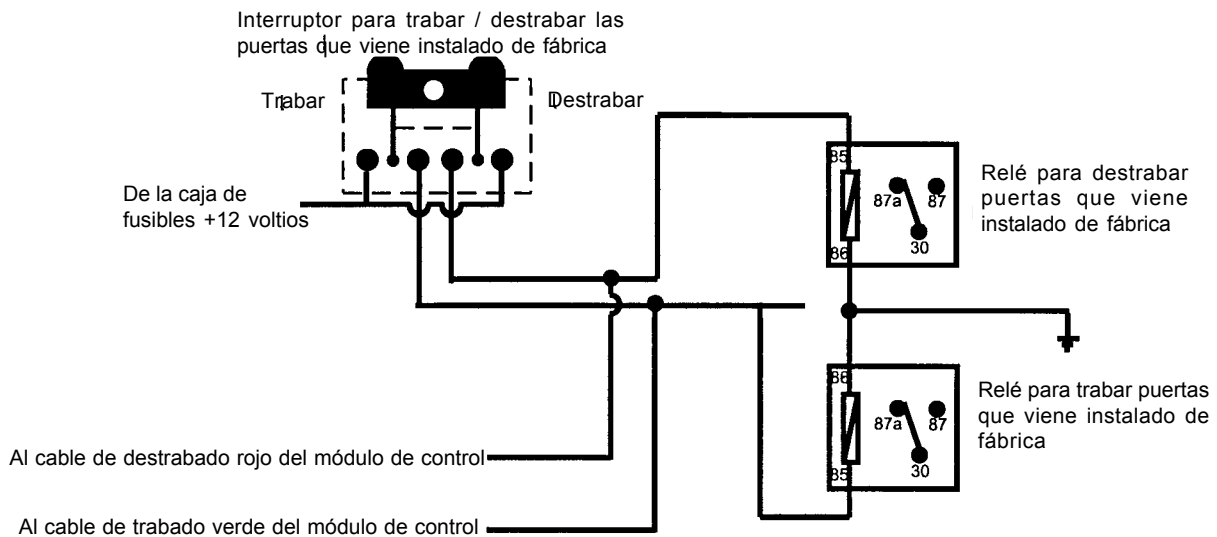


### Trabas de puertas con conmutación positiva de 3 cables

En esta aplicación, el cable rojo del arnés de dos clavijas proporciona un impulso de +12 voltios durante la secuencia de desactivación o una salida con impulsos de 12 voltios para destrabar. Conecte el cable rojo al cable que proporciona una señal positiva de baja corriente del interruptor para destrabar las puertas que viene de fábrica al relé de control de destrabado de puertas de fábrica.

El cable verde del arnés de dos clavijas proporciona un impulso de +12 voltios durante la secuencia de desactivación o una salida con impulsos de 12 voltios para trabar. Conecte el cable verde al cable que proporciona la señal a tierra de baja corriente del interruptor para trabar las puertas que viene de fábrica al relé de control de trabado de puertas de fábrica. Consulte el siguiente diagrama para obtener más detalles.

### Detalle de cableado para trabar / destrabar puertas con conmutación positiva y de 3 cables



**Nota:** Para la conexión de los circuitos de inversión de polaridad de cuatro cables, de 12 voltios alternados de 5 cables y todos los demás circuitos de trabado de puertas, se debe usar la interfaz de trabado de puertas Audiovox AS-9159 (o relés para automóviles de 30 A equivalentes). Consulte del Suplemento de Cableado para trabado de puertas de Audiovox para obtener información sobre el cableado correcto de estos circuitos.

## FUNCIONES SELECCIONABLES DE LA ALARMA

**NOTA:** Los pasos de programación de las Funciones seleccionables de la alarma y las Funciones seleccionables del arranque remoto se basan en la programación del botón 1 del transmisor para el canal 1 y la programación del botón 2 del transmisor para el canal 2.

### Funciones RF programables:

Selección de función	1 chirrido	2 chirridos	Valor por defecto
<b>Primera</b>	Trabado de puertas de 1 segundo	Trabado de puertas de 3,5 segundos	1 segundo
<b>Segunda</b>	Trabado automático "on"	Trabado automático "off"	Trabado automático "off"
<b>Tercera</b>	Destrabado automático "on"	Destrabado automático "off"	Destrabado automático "off"
<b>Cuarta</b>	Trabado pasivo de puertas	Trabado activo de puertas	Trabado activo de puertas
<b>Quinta</b>	Activación pasiva	Activación activa	Activación pasiva

### Para programar las funciones seleccionables de la alarma:

	Acción	Respuesta del sistema	Destellos del LED
	Encienda la llave de contacto. Mueva el interruptor valet / programación a la posición "on" y luego "off" 3 veces. A los 3 segundos, ponga la llave de contacto en "off" y luego en "on".	Ninguna respuesta 1 chirrido LED 1 destello Chirrido corto, luego chirrido largo	
Primero	Oprima el botón del transmisor para cambiar. O bien,	1 chirrido = trabas de 1 seg. 2 chirridos = trabas de 3.5 seg.	1 destello pausa etc.
Segundo	Mueva el interruptor valet / programación a la posición "on" y luego "off". Oprima el botón del transmisor para cambiar. O bien,	2 chirridos = trabado automático "off" 1 chirrido = trabado automático "on"	2 destello pausa etc.
Tercero	Mueva el interruptor valet / programación a la posición "on" y luego "off". Oprima el botón del transmisor para cambiar. O bien,	2 chirridos = destrabado automático "off" 1 chirrido = destrabado automático "on"	3 destello pausa etc.
Cuarto	Mueva el interruptor valet / programación a la posición "on" y luego "off". Oprima el botón del transmisor para cambiar. O bien,	2 chirridos = trabas activas 1 chirrido = trabas pasivas	4 destello pausa etc.
Quinto	Mueva el interruptor valet / programación a la posición "on" y luego "off". Oprima el botón del transmisor para cambiar. O bien,	1 chirrido = activación pasiva 2 chirridos = activación activa	5 destello pausa etc.
	Mueva el interruptor valet / programación a la posición "on" y luego "off". O bien, Apague la llave de contacto.	Salga del modo de programación  Salga del modo de programación	

**Nota:** Una vez que entre al modo de programación de funciones, no deje pasar más de 15 segundos entre un paso y el otro, en caso contrario se terminará la programación.

### PROGRAMA DE ARRANQUE TEMPORIZADO:

La unidad de arranque remoto tiene la capacidad de arrancar el vehículo automáticamente en intervalos temporizados. Esta característica es útil en climas muy fríos donde solamente se puede mantener la batería cargada y los líquidos calientes si se arranca el motor. El operador tiene la opción de que la unidad arranque cada 2 ó 4 horas durante un máximo de 48 horas. El valor preestablecido en fábrica es de intervalos de 4 horas. Para elegir el temporizador de arranque automático de 2 ó 4 horas:

1. Comience con el interruptor de activación (manija roja) en la posición ON (encendida).
2. Coloque la llave de contacto en la posición ON (encendida) y luego OFF (apagada).
3. A los 10 segundos, mueva el interruptor de control para apagarlo ("off"), encenderlo ("on"), apagarlo ("off"), encenderlo ("on"), (2 ciclos de interruptor) para elegir el temporizador de arranque de 2 horas. O bien, mueva el interruptor de control para apagarlo ("off"), encenderlo ("on"), apagarlo ("off"), encenderlo ("on"), apagarlo ("off"), encenderlo ("on") (4 ciclos de interruptor) para elegir el temporizador de arranque de 4 horas. Las luces destellarán y la sirena emitirá 2 chirridos confirmando que se optó por el ciclo de arranque de 2 horas o 4 chirridos confirmando que se optó por el ciclo de arranque de 4 horas.

**NOTA:** Una vez elegido el ciclo de 2 ó 4 horas, este intervalo del temporizador quedará en la memoria hasta que se cambie manualmente. Para cambiarlo, seguir la secuencia anterior.

### OPERACIÓN DEL ARRANQUE TEMPORIZADO:

Para iniciar el temporizador de arranque, a los 10 segundos de apagar la llave de contacto, active el comando RF para arrancar 2 veces. (Oprima el botón dos 4 veces.). Las luces destellarán y la sirena emitirá 4 chirridos, indicando que el modo de intervalos temporizados ha comenzado. El vehículo arrancará automáticamente cada 2 ó 4 horas según lo programado. Para cancelar el modo de arranque temporizado, arranque el vehículo por RF o con la llave de contacto.

## CARACTERÍSTICAS SELECCIONABLES DE ARRANQUE REMOTO

### Funciones RF programables:

Selección de función	Luces de estacionamiento destellan 1 vez	Luces de estacionamiento destellan 2 veces	Valor por defecto	L.E.D.
Primera	Confirmación chirrido arranque RF off	Confirmación chirrido arranque RF on	Off	1 vez, pausa, etc.
Segunda	Tiempo de funcionamiento de 10 minutos	Tiempo de funcionamiento de 15 minutos	10 minutos	2 veces, pausa, etc.
Tercera	Luces de estacionamiento encendidas	Luces de estacionamiento destellan	Constante	3 veces, pausa, etc.
Cuarta	(ninguna función)	Operación del taquímetro	Taquímetro	4 veces, pausa, etc.
Quinta	(ninguna función)	(ninguna función)	-----	5 veces, pausa, etc.
Sexta	Encendido 2 apagado durante el arranque	Encendido 2 activado durante el arranque	Apagada durante el arranque	6 veces, pausa, etc.
Séptima	Diagnóstico apagado	Diagnóstico encendido	Apagada	7 veces, pausa, etc.
Octava	(ninguna función)	(ninguna función)	-----	8 veces, pausa, etc.

### Programación de las funciones seleccionables del arranque remoto:

1. Comience con el interruptor de programación en la posición OFF (apagada).
2. Coloque la llave de contacto en la posición ON (encendida).
3. Mueva el interruptor de programa ON - OFF - ON - OFF - ON y luego OFF
4. Inmediatamente ponga la llave de contacto en OFF y luego oprima el botón 2 del transmisor durante 1 segundo.
5. Inmediatamente ponga la llave de contacto en ON nuevamente.
6. Mueva el interruptor de programa ON - OFF - ON y luego OFF. La sirena emitirá 2 chirridos cortos y uno largo verificando que está en el modo de programación de funciones.
7. Use el botón 1 del transmisor para pasar a la función que desea cambiar. EJEMPLO: Si tiene que cambiar la función programable número 3, oprima y suelte el botón 1 del transmisor 3 veces. Las luces de estacionamiento van a destellar y la sirena emitirá 3 chirridos para indicar que la función 3 elegido puede cambiarse.
8. Use el botón 2 del transmisor para cambiar la selección de la función programable. Si no está seguro cuál es el valor para alguna función, oprima el botón 2 una vez, las luces de estacionamiento destellarán una vez o dos veces indicando el valor de las funciones.

**Nota:** Una vez que entre al modo de programación de funciones, no deje pasar más de 15 segundos entre un paso y el otro, en caso contrario se terminará la programación.

### Programación del régimen del taquímetro:

El APS 750a aprenderá el régimen del taquímetro del vehículo, para lo cual:

1. Comience con el interruptor de programación en la posición OFF.
2. Coloque la llave de contacto en la posición ON.
3. Mueva el interruptor de programación ON - OFF - ON - OFF - ON y luego OFF.
4. Inmediatamente después coloque la llave de contacto en OFF.
5. Coloque el interruptor de programación en ON, luego arranque el vehículo usando la llave de contacto.
6. Cuando la unidad detecte la señal del taquímetro, las luces de estacionamiento comenzarán a destellar.
7. Coloque el interruptor de programación en OFF. Las luces de estacionamiento se encenderán durante 3 segundos para indicar que se memorizó la señal del taquímetro y que la unidad ya no está en el modo de programación.

**NOTA:** Si la unidad no capta la velocidad del tacómetro (cuentavueltas) debido a una mala conexión del tacómetro o una deficiencia en la fuente del tacómetro, la unidad pasará al modo de falla-seguridad. Cuando se encuentra en este modo, el transmisor de arranque remoto no funcionará y el interruptor del programa dejará de responder. Esta situación estará indicada por el L.E.D. que se encenderá y apagará cada vez que se haga funcionar el interruptor del programa. Para corregir esta situación, ubique y conecte el cable verde/anaranjado a la señal correcta del tacómetro, desconecte el cable de alimentación al módulo de control, vuelva a conectar el circuito, entre nuevamente y capte la señal correcta del tacómetro.

### Diagnóstico

Introduzca la función seleccionable número 7 y actívela como se indica antes.

**NOTA:** El modo de diagnóstico es un modo temporario. Una vez que ha accedido al mismo, la unidad hace una pausa durante 2 segundos, luego comienza a destellar el último código memorizado. Este código aparecerá tres veces seguidas, luego la unidad saldrá automáticamente del modo de diagnóstico encendido.

Las luces van a destellar varias veces para indicar la razón por la que se apagará en el último intento de arranque remoto. Las indicaciones de destello son las siguientes:

1 destello	Pasaron los 10 ó 15 minutos del temporizador de funcionamiento
2 destellos	Señal baja del taquímetro o ninguna señal (RPM)
3 destellos	Se activó el cable positivo de apagado o cierre
4 destellos	Se movió el interruptor de control a la posición OFF
5 destellos	Se recibió la señal de apagado o cierre R.F.
6 destellos	Se recibió la señal alta de RPM

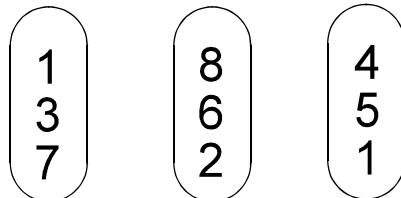
### Adaptador del conjunto de múltiples bobinas (opcional):

El adaptador del conjunto de múltiples bobinas se usa en vehículos que tienen múltiples bobinas de encendido cuando no hay una sola señal de taquímetro.

Para usar el adaptador, se debe conectar los cables verde y negro al lado negativo de las bobinas de encendido.

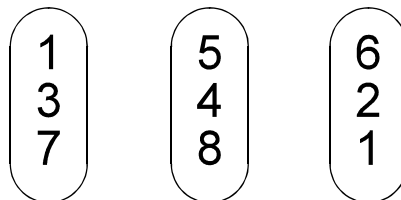
1. En el caso de los vehículos que utilizan bobinas independientes por cilindro, conecte los tres conductores verde y negro a las bobinas alternativas. Para lograr un máximo rendimiento, las señales de las bobinas tienen que estar distribuidas en forma pareja. Dibuje un círculo alrededor de cualquiera de las columnas. Los cables verde y negro deben estar conectados al terminal negativo (-) del respectivo número de cilindro que aparece en cualquiera de los círculos.
2. En el caso de los vehículos que utilizan 2 cilindros por conjunto de bobinas, conecte los cables verde y negro al lado del taquímetro de cada conjunto de bobinas. En el caso de los sistemas de 8 cilindros y cuatro bobinas, conecte a cualquiera de las tres bobinas.
3. Conecte el cable amarillo a una fuente de encendido 1 de +12 voltios. Este cable tendrá +12 voltios con el encendido o el contacto en la posición "on" o "start" y tendrá 0 voltios con el contacto en la posición "off".
4. Conecte el cable verde a la entrada de taquímetro (verde) o (naranja/verde) de la unidad de arranque remoto de Audiovox.

SI EL ORDEN DE DISPARO ES 1, 8, 4, 3, 6, 5, 7, 2

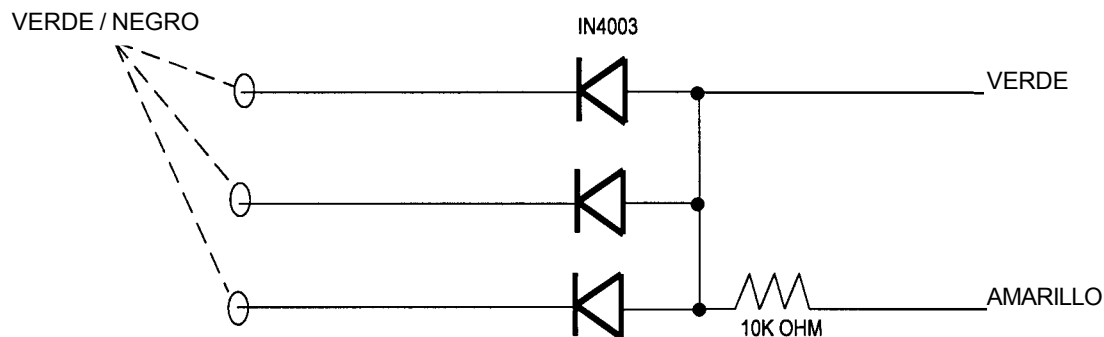


CONECTE A LOS CILINDROS 137, Ó 862, Ó 451.

SI EL ORDEN DE DISPARO ES 1, 5, 6, 3, 4, 2, 7, 8



CONECTE A LOS CILINDROS 1, 3, 7 Ó 5, 4, 8 Ó 6, 2, 1



### **PRUEBA DE LA INSTALACIÓN:**

**PRECAUCIÓN:** Se debe realizar el siguiente procedimiento después de la instalación de un dispositivo de arranque remoto de Audiovox. El técnico de instalación tiene la responsabilidad de llevar a cabo estas pruebas. Si no se somete la unidad a las siguientes pruebas, se puede ocasionar lesiones corporales, daños físicos o ambos.

### **CIERRE DE SEGURIDAD DE LA CLAVIJA DEL CAPÓ:**

El objeto del cierre de seguridad de la clavija del capó es evitar que la unidad de arranque remoto se active mientras un mecánico o el propietario del vehículo realicen alguna actividad normal de mantenimiento del vehículo.

Para probar la integridad de este circuito:

1. Después de bajar la ventanilla del conductor, arranque el vehículo usando el transmisor RF.
2. Tire de la manija de desenganche del capó que está adentro del automóvil.
3. Levante el capó y confirme que la unidad de arranque remoto se apagó.

Si la unidad no pasa esta prueba, vuelva a verificar la conexión del interruptor de clavija al cable gris y negro de la unidad de arranque remoto de Audiovox.

**NO ENTREGUE EL VEHÍCULO AL CONSUMIDOR HASTA TANTO CONFIRME LA OPERACIÓN DE LA FUNCIÓN DE CIERRE DE SEGURIDAD DE LA CLAVIJA DEL CAPÓ.**

### **CIRCUITO DE CIERRE / ACTIVACIÓN MANUAL:**

El objeto del circuito de cierre / activación manual es permitir al operador del vehículo impedir la operación de la unidad de arranque remoto, independientemente de la operación del transmisor RF.

Para probar la integridad del circuito de cierre / activación manual:

1. Coloque el interruptor de control en la posición "on" (cerrada a tierra).
2. Arranque el vehículo usando el transmisor RF.
3. El motor del vehículo debiera arrancar y quedarse prendido bajo el control del dispositivo de arranque remoto.
4. Mueva el interruptor a la posición "off" (abierto a tierra), el vehículo tiene que pararse.

Si la unidad no pasa esta prueba, vuelva a verificar la conexión del interruptor de activación a la conexión a tierra y el cable negro y blanco de la unidad de arranque remoto de Audiovox. Si tiene un enchufe en el interruptor de activación, fíjese que el conector de dos clavijas esté bien colocado en el conector correspondiente del módulo de control.

**NO ENTREGUE EL VEHÍCULO AL CONSUMIDOR HASTA TANTO CONFIRME LA OPERACIÓN DE LA FUNCIÓN DE CIERRE / ACTIVACIÓN MANUAL.**

### **PRUEBA DE SEGURIDAD DE ARRANQUE NEUTRO:**

El objeto del interruptor de arranque neutro es impedir que se arranque el vehículo cuando el selector de marchas está en una posición que no sea Park (estacionamiento) o Neutral (neutro). Al instalar el dispositivo de arranque remoto, es necesario que el arrancador amarillo esté conectado al lado del interruptor de encendido del interruptor de arranque neutro. Es importante pensar en la colocación de un relé de bloqueo del arrancador también y tiene que conectarse al lado del interruptor de encendido del cable amarillo de arranque.

Para probar la integridad del circuito de seguridad de arranque neutro:

1. Ponga el freno de mano o estacionamiento del vehículo.
2. Bloquee las ruedas para impedir que el vehículo se mueva.
3. Desconecte temporalmente el cable de bloqueo positivo marrón y negro del interruptor de freno del vehículo.
4. Siéntese en el vehículo y arranque el motor usando la llave de contacto.
5. Apriete el pedal de freno y mueva el selector de marchas a marcha atrás.
6. Deje que la transmisión haga el cambio. Cuando sienta el arranque del motor, no mueva el selector de marchas, simplemente apague la llave de contacto. NO trate de sacar la llave.
7. Mantenga apretado el pedal de freno, active el transmisor RF para intentar arrancar el vehículo. El vehículo no arrancará.
8. Repita la prueba anterior, pero esta vez mueva el selector de marchas a la posición de manejo. Si la unidad trata de arrancar, no pasa la prueba y tiene que volver a fijarse en la conexión del cable amarillo. Este cable tiene que estar conectado al lado del interruptor de encendido del interruptor de arranque neutro. Si el vehículo con el que está trabajando no tiene un interruptor neutro eléctrico de seguridad, será necesario reconfigurar el cableado de arranque remoto para responder a las características de este vehículo. La información relativa al interruptor neutro mecánico de seguridad que aparece a continuación le ayudará a determinar si el vehículo con el que está trabajando tiene este tipo de interruptor de seguridad y le proporcionará métodos alternativos de cableado para responder a esta situación.

**PRECAUCIÓN:**  
**NO SE OLVIDE DE VOLVER A CONECTAR EL CABLE MARRÓN Y NEGRO QUE DESCONECTÓ TEMPORALMENTE EN EL PASO 3**

**NO ENTREGUE EL VEHÍCULO AL CONSUMIDOR HASTA TANTO CONFIRME LA OPERACIÓN DE LA FUNCIÓN DE CIERRE / ACTIVACIÓN MANUAL.**

### INFORMACIÓN SOBRE EL INTERRUPTOR NEUTRO MECÁNICO DE SEGURIDAD:

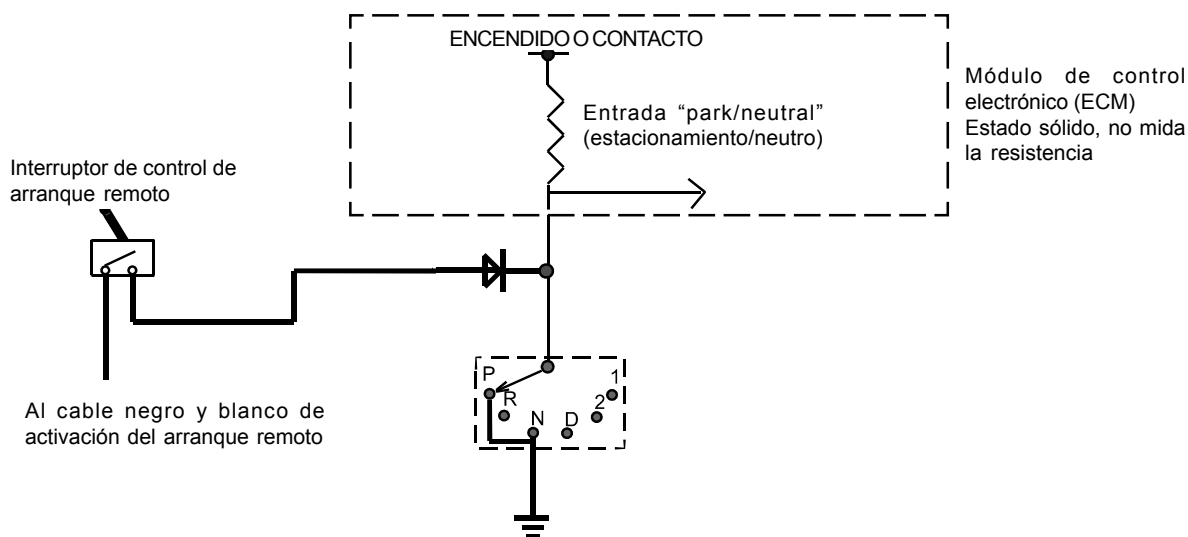
Las configuraciones del interruptor neutro mecánico de seguridad difieren un poco en que no ofrecen el mismo nivel de seguridad al instalar un dispositivo de arranque remoto. A menudo, cuando se apaga el interruptor de encendido o contacto cuando el selector de marchas se encuentra en cualquier posición que no sea "park" (estacionamiento) o "neutral" (neutro), la función mecánica no permitirá a la llave girar a la posición de arranque ni salir del cilindro de contacto. Esta configuración impide la operación mecánica mientras el vehículo se encuentra en alguna marcha, pero no ofrece consideración alguna para la operación eléctrica. A raíz de este posible problema, esta instalación requiere la conexión adicional de un cable de seguridad del dispositivo de arranque remoto a la entrada ECM de "park/neutral" (estacionamiento/neutro) del vehículo o la llave del vehículo en el detector. Esta conexión servirá para impedir la operación del arranque remoto si se deja la llave en el interruptor de encendido o contacto, independientemente de la posición del selector de marchas.

### ENTRADA "PARK/NEUTRAL" (ESTACIONAMIENTO/NEUTRO) DEL MÓDULO DE CONTROL ELECTRÓNICO (ECM):

La entrada "park/neutral" (estacionamiento/neutro) del Módulo de control electrónico (ECM) es el método preferido para la instalación. No sólo porque mantiene la integridad del circuito ya instalado en fábrica, sino también porque es la forma más fácil de instalar, siempre que el vehículo con el que esté trabajando tenga esta entrada del ECM. La instalación requerida para esta aplicación (se ilustra a continuación) indica una leve reconfiguración del cableado del interruptor de control y la instalación adicional de un diodo serie 4000. Se ilustra un circuito típico de entrada "park/neutral" (estacionamiento/neutro) del ECM de GM. Para conectar la unidad de arranque remoto de Audiovox a la entrada "park/neutral" (estacionamiento/neutro) del ECM de GM:

1. Ubique el cable de referencia anaranjado y negro en el conector "C2" que se encuentra en el ECM de los vehículos GM con chasis B, o bien ubique el cable de referencia equivalente en el vehículo en el cual esté instalando la unidad de arranque remoto de Audiovox.
2. Conecte el cátodo, extremo (pelado), de un diodo serie 4000 a este cable de referencia.
3. Conecte el ánodo, extremo (no pelado), del diodo a un lado del interruptor de activación del arranque remoto.
4. Conecte el otro lado del interruptor de activación al cable de entrada de activación de color negro y blanco de la unidad de arranque remoto.

El diagrama de referencia que aparece a continuación ilustra un típico cable de referencia del ECM del chasis B de GM y la forma en que está conectado a la unidad de arranque remoto.



## CIRCUITOS DEL DETECTOR DE LLAVE PUESTA EN EL CONTACTO:

Si el vehículo en el que está trabajando no tiene un cable de referencia de ECM, o bien usted no lo puede ubicar, hay dos alternativas disponibles. Si bien no es lo preferible, se puede reconfigurar el detector de llave puesta del vehículo para permitir un margen de seguridad y prevenir que el vehículo con un interruptor neutro mecánico arranque mientras está en alguna marcha. AUDIOVOX RECOMIENDA MANTENER EL CIRCUITO DE FÁBRICA SIEMPRE QUE SEA POSIBLE HACERLO. Los siguientes dos circuitos pueden usarse solamente si no se cuenta con el circuito anterior.

**NOTA:** Al finalizar una instalación usando cualquiera de los siguientes circuitos de detección de llave puesta, si el operador inserta la llave de contacto mientras el vehículo está en marcha controlado por el arranque remoto, el vehículo se parará. Es necesario explicar esto al operador, dado que difiere de la operación normal de un vehículo que utiliza un interruptor de arranque neutro eléctrico y no es congruente con lo que dice el manual del operador.

A continuación aparece información adicional sobre los métodos 1 y 2 del detector de llave puesta y es conveniente que se lea antes de considerar cualquiera de las dos alternativas.

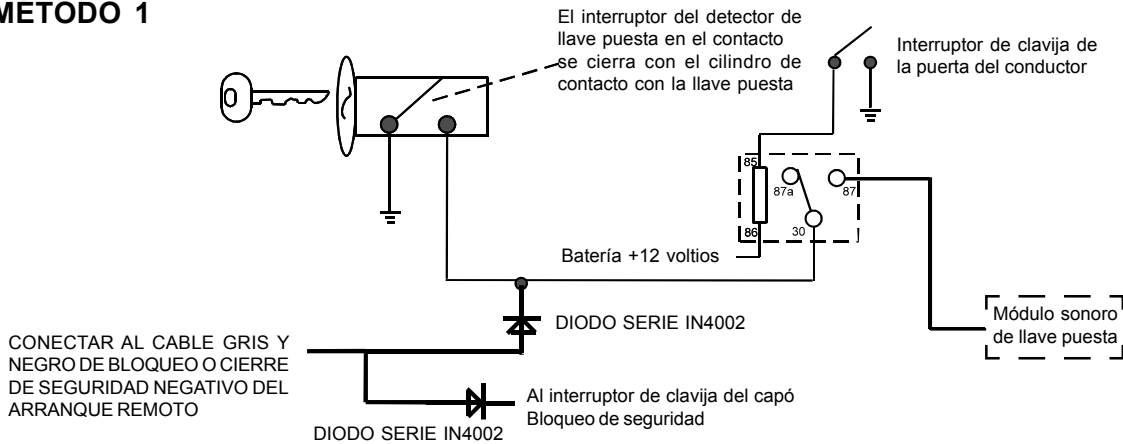
El método 1 le brindará la seguridad necesaria para la unidad de arranque remoto e impedirá que el vehículo arranque mientras está en alguna marcha que no sea "park" o "neutral" (estacionamiento o neutro) cuando la llave está puesta en el cilindro de contacto; sin embargo, si se deja la llave en el interruptor de encendido o contacto y se deja la puerta abierta, el relé agregado recibirá energía y ocasionará una fuga de 150 mA en la batería.

El método 2 le brindará la seguridad necesaria para la unidad de arranque remoto e impedirá que el vehículo arranque mientras está en alguna marcha que no sea "park" o "neutral" (estacionamiento o neutro) cuando la llave está puesta en el cilindro de contacto; sin embargo,

el módulo sonoro para indicar que la llave está puesta y que viene instalado de fábrica no advertirá al propietario que ha quedado la llave en el interruptor de contacto. Además, esto puede afectar también otros tonos de advertencia, como por ejemplo el que advierte que las luces están encendidas.

Se debe tener en cuenta todo esto antes de modificar el cableado del vehículo y se debe explicar todo muy bien al consumidor.

### MÉTODO 1



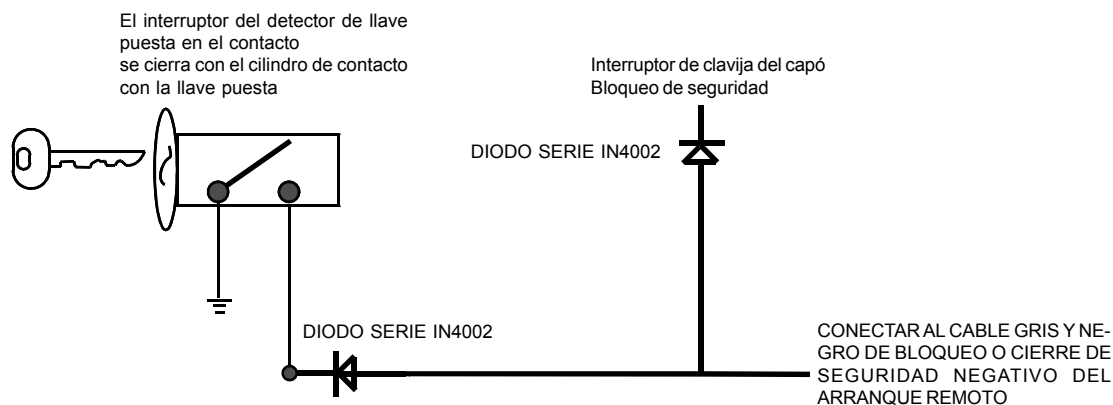
Para efectuar una conexión al detector de llave puesta en el contacto como se ilustra en el método 1:

- Ubique el cable de control que conecta el interruptor de clavija de la puerta del conductor al interruptor del detector de llave puesta.
- Corte este cable y conecte el lado del cilindro de contacto a la conexión a tierra del chasis.
- Ubique el cable del interruptor de detector de llave puesta que conecta el módulo sonoro al cilindro de contacto.
- Corte este cable y conecte el lado del cilindro de contacto al terminal 30 de un relé P&B VG45F11 o equivalente.
- Conecte el extremo (pelado) del cátodo de un diodo serie 4002 a este mismo cable y conecte el extremo (no pelado) a un cable de seguridad de cierre negativo (gris y negro) de la unidad de arranque remoto de Audiovox.
- Conecte el terminal 86 del relé a una fuente de batería de +12 voltios constantes con fusibles.
- Conecte el terminal 87 del relé al lado del módulo sonoro del cable cortado en el paso D.
- Conecte el terminal 85 del relé al lado de la puerta del conductor del cable del interruptor de clavija que se cortó en el paso D.

**NOTA:** Es probable que se requiera un segundo diodo Serie 4002 para mantener la integridad del circuito para abrir y cerrar el capó. Si es éste el caso, se debe instalar en la forma ilustrada en el diagrama anterior. Se debe conectar el lado (no pelado) del ánodo al cable gris y negro de la unidad de arranque remoto. Se debe conectar el lado (pelado) del cátodo al interruptor de clavija del capó. Si además se usa el interruptor de clavija del capó para una entrada de activación de la alarma, cerciórese de usar el conjunto de diodo dual que viene con la unidad de arranque remoto de Audiovox, tal como se indica en la guía de instalación (página 53).



## MÉTODO 2



Para efectuar una conexión al circuito del detector de llave puesta en el contacto como se ilustra en el método 1:

- Ubique el cable de control que conecta el interruptor de clavija de la puerta del conductor al interruptor del detector de llave puesta.
- Corte este cable y conecte el lado del cilindro de contacto a la conexión a tierra del chasis.
- Ubique el cable del interruptor de detector de llave puesta que conecta el módulo sonoro al cilindro de contacto.
- Corte este cable y conecte el lado del cilindro de contacto al cable gris y negro de cierre de seguridad negativo del arranque remoto, usando un diodo serie 4002 como se ilustra antes.

**NOTA:** Es probable que se requiera un segundo diodo Serie 4002 para mantener la integridad del circuito para abrir y cerrar el capó. Si es éste el caso, se debe instalar en la forma ilustrada en el diagrama anterior. Se debe conectar el lado (no pelado) del ánodo al cable gris y negro de la unidad de arranque remoto. Se debe conectar el lado (pelado) del cátodo al interruptor de clavija del capó. Si además se usa el interruptor de clavija del capó para una entrada de activación de la alarma, cerciórese de usar el conjunto de diodo dual que viene con la unidad de arranque remoto de Audiovox, tal como se indica en la guía de instalación (página 53).

**DESPUÉS DE EFECTUAR LA CONEXIÓN DEL CABLE DE SEGURIDAD DE ARRANQUE NEUTRO COMO SE INDICÓ EN CUALQUIERA DE LAS CONFIGURACIONES ANTERIORES, SE DEBE SOMETER ESTE CIRCUITO A PRUEBAS PARA VERIFICAR SU OPERACIÓN CORRECTA. Realice las pruebas que se describieron en PRUEBA DE SEGURIDAD DE ARRANQUE NEUTRO de este manual.**

### FINALIZACIÓN DE LA INSTALACIÓN:

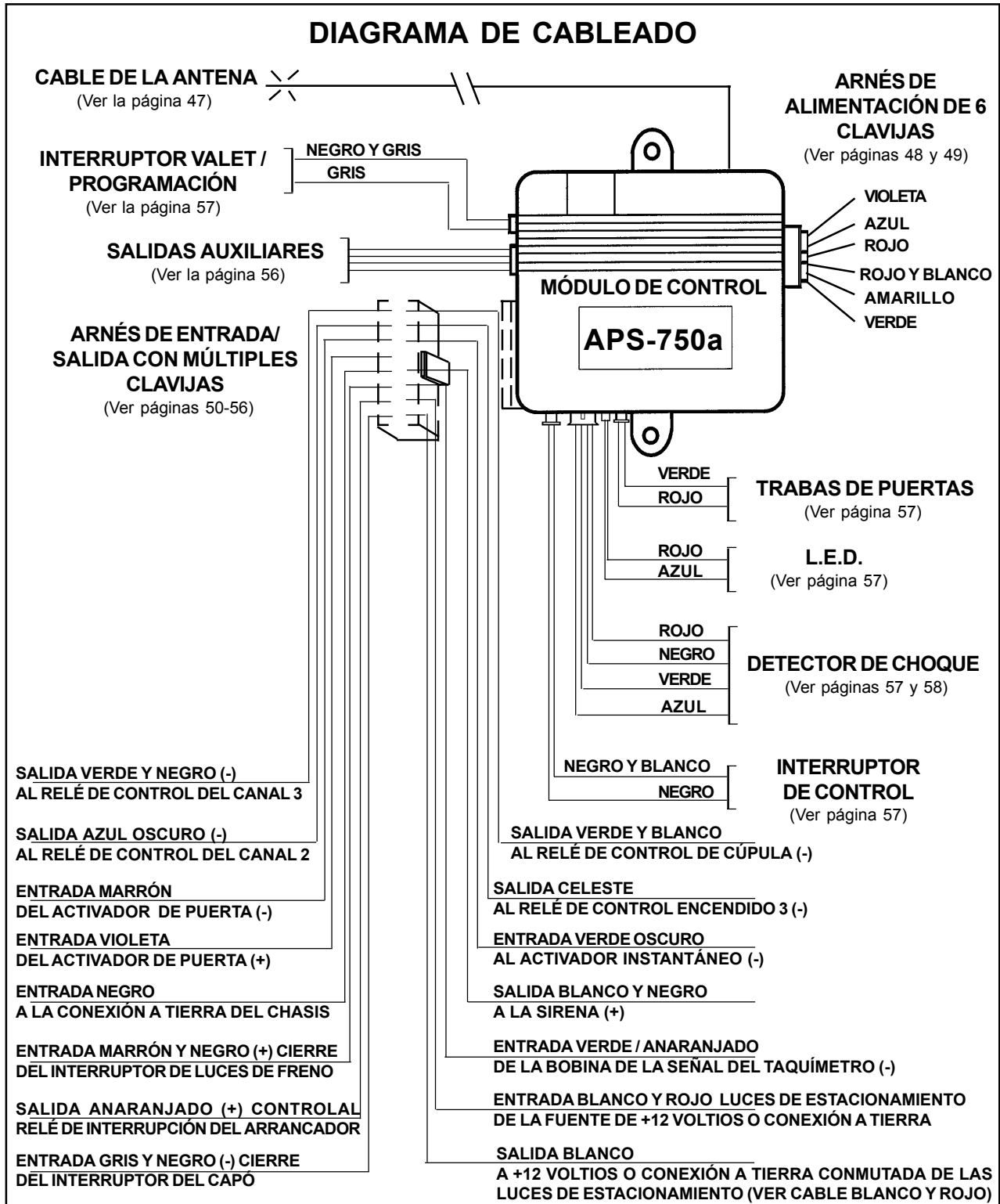
Una vez que haya confirmado la operación de la unidad de arranque remoto de Audiovox y probado todas las funciones de seguridad del sistema:

- Si no lo ha hecho todavía, coloque la funda de goma roja sobre la manija del interruptor de control para facilitar su identificación. De esta manera, su cliente podrá distinguir el interruptor de control del arranque remoto del interruptor de programación.
- Monte el módulo de control arriba y detrás del tablero, fijándolo bien con amarres para cables y tornillos. Asegúrese de fijarse que el lugar elegido para el montaje no bloquee ninguno de los controles del vehículo.
- Cubra con cinta y ate todos los cables para asegurarlos y alejarlos de toda fuente de calor u objeto móvil con los que puedan entrar en contacto debajo del tablero de instrumentos o en las áreas del compartimiento del motor.

**PRECAUCIÓN:** En forma especial, evite toda el área que rodea al eje de la dirección y el tubo de la misma, dado que los cables pueden quedar envueltos alrededor de estos mecanismos e impedir el control adecuado del vehículo.

- Coloque la etiqueta de precaución que se incluye en el kit en un lugar del compartimiento del motor que esté bien a la vista cuando se abra el capó.
- Asegúrese de que la superficie esté limpia antes de aplicar la etiqueta.
- Vuelva a colocar todos los paneles que se sacaron durante la instalación y pruebe el sistema una vez más.
- Explique al cliente cuáles son todas las funciones activadas y los sistemas de seguridad de la unidad de arranque remoto instalada.

## DIAGRAMA DE CABLEADO



## Free Manuals Download Website

<http://myh66.com>

<http://usermanuals.us>

<http://www.somanuals.com>

<http://www.4manuals.cc>

<http://www.manual-lib.com>

<http://www.404manual.com>

<http://www.luxmanual.com>

<http://aubethermostatmanual.com>

Golf course search by state

<http://golfingnear.com>

Email search by domain

<http://emailbydomain.com>

Auto manuals search

<http://auto.somanuals.com>

TV manuals search

<http://tv.somanuals.com>