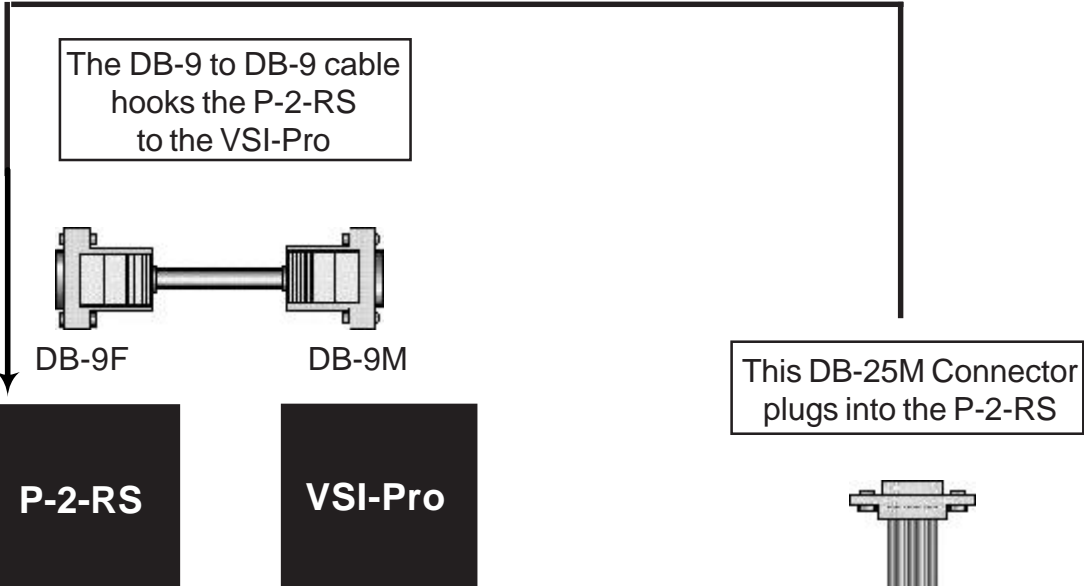


P-2-RS Installation



Parallel Device with DB-25 Connectors



The pin out for the cable between the P-2-RS and the VSI-Pro is as follows:

<u>P-2-RS DB-9F</u>	<u>VSI-Pro DB-9M</u>
3-----	2
1-----	5

The device's parallel cable plugs back into this DB-25M Connector

This DB-25F Connector plugs into the device's parallel port

Refer to the VSI-Pro Operation Manual for further instructions on programming your VSI-Pro.

Free Manuals Download Website

<http://myh66.com>

<http://usermanuals.us>

<http://www.somanuals.com>

<http://www.4manuals.cc>

<http://www.manual-lib.com>

<http://www.404manual.com>

<http://www.luxmanual.com>

<http://aubethermostatmanual.com>

Golf course search by state

<http://golfingnear.com>

Email search by domain

<http://emailbydomain.com>

Auto manuals search

<http://auto.somanuals.com>

TV manuals search

<http://tv.somanuals.com>