



**AUDIOVOX®**  
ELECTRONICS CORP.

**XM® SATELLITE DIGITAL AUDIO  
RECEIVER SYSTEM MODEL SRXM-001**

**INSTALLATION MANUAL**

**FOR USE WITH THE RADIO RECEIVER  
UNIT (RRU) MODEL XM-RCV**



For Customer Service  
Visit Our Website At  
**[www.audiovox.com](http://www.audiovox.com)**  
Product Information, Photos,  
FAQ's Owner's Manuals

# INTRODUCTION

The Audiovox Electronics XM<sup>®</sup> Satellite Digital Audio Control And Receiver System (Model SRXM-001) was developed to allow the user to listen to a huge selection of programming supplied by a subscription to XM<sup>®</sup> Radio. (XM<sup>®</sup>-compatible antenna also required).

The Audiovox Electronics XM<sup>®</sup> Satellite Digital Audio Control And Receiver System is easily installed using the installation instructions herein, and is designed to work with the user's existing car stereo system through an unused FM frequency or the auxiliary audio inputs. The programming and use of this system is described in detail in the supplied Owner's Manual.

The Audiovox Electronics XM<sup>®</sup> Satellite Digital Audio Control and Receiver System comes with a satellite RADIO RECEIVER UNIT (RRU), a SATELLITE SYSTEM CONTROL UNIT (SCU), and a FM MODULATOR/CONTROL INTERFACE unit that allows the user to select an exact XM<sup>®</sup> Radio channel on the easy to read display. The controller is compact, pleasantly designed and can be mounted in the cab of the vehicle in numerous ways. This Installation Guide depicts typical installation scenarios.

It is important that the installer reads and understands all of the installation procedures for each of the components to be installed, either supplied with the Audiovox Electronics XM Satellite Digital Audio Control and Receiver System (Model SRXM-001) or equipment that is to be installed in conjunction with the system such as the XM<sup>®</sup> Antenna.

The Audiovox Electronics XM<sup>®</sup> Satellite Digital Audio Control and Receiver System (Model SRXM-001) comes with a 36 month limited warranty (see the back cover of the owner's manual for details)

# TRADEMARKS

XM<sup>®</sup> is a registered trademark of XM Satellite Radio. All Rights Reserved. [www.xmradio.com](http://www.xmradio.com)

PRO.Fit<sup>®</sup> and VSM<sup>®</sup> are registered trademarks of Pro.Fit International. All rights reserved. [www.pro-fit-intl.com](http://www.pro-fit-intl.com)

Other product names mentioned in this manual may be trademarks or registered trademarks of their respective companies and are hereby acknowledged.

# INSTALLATION and WIRING PRECAUTIONS

- 1.** To prevent a short-circuit, Be sure to turn off the ignition and remove the negative (-) battery cable, prior to installation. Connect power wires last.

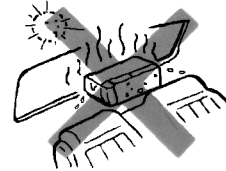
**NOTE:** If the SRXM-001 System is to be installed in a car that is equipped with an on-board drive or navigation computer, do not disconnect the battery cable. If the cable is disconnected, the computer memory may be lost. Under these conditions, use extra caution during installation not to cause a short circuit.

- 2.** Do not install the unit in the following locations:

Locations exposed to direct sunlight.

Where hot air is discharged from the car heater.

In areas subject to extreme temperatures.



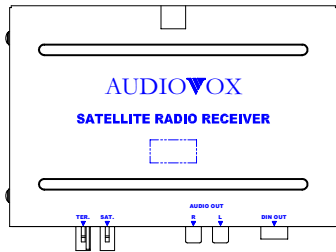
- 3.** Incorrect installation may cause damage to the system. Mount the unit firmly in place, using the supplied brackets and screws.
- 4.** Be careful not to damage the car wiring.
- 5.** Be sure to use the supplied screws and washers.
- 6.** Be careful not to snag any wires when tightening screws.

# PACKING LIST

## SRXM-001 MAIN SYSTEM COMPONENTS

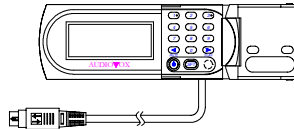
(NOTE: Components are not drawn to scale.)

### RADIO RECEIVER UNIT (RRU) Model # XM-RCV



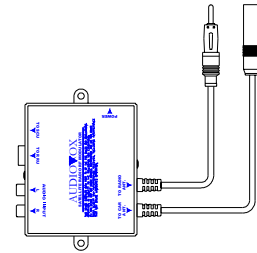
1 pc.

### SATELLITE SYSTEM CONTROL UNIT (SCU) Model # SAT-COM



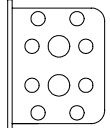





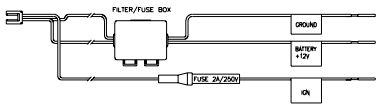
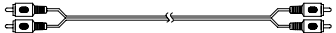
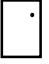
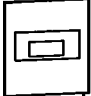
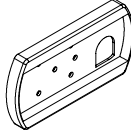
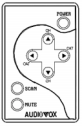

1 pc.

### FM MODULATOR / CONTROL INTERFACE



1 pc.  
(P/O SAT-COM)

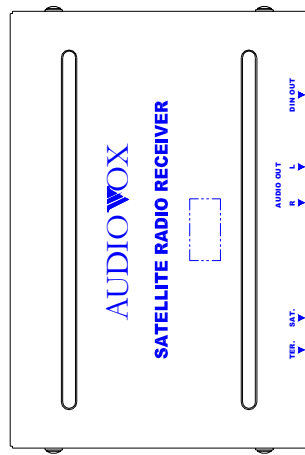
## INSTALLATION PARTS

<p><b>RRU Mounting Brackets</b></p>  <p>2 pc. (P/O XM-RCV)</p>	<p><b>Self-tapping Screws (5mm x 15mm), with Flat Washers and Lock Washers</b> (Used to mount RRU to mounting surface)</p>  <p>4 pcs. each (P/O XM-RCV)</p>	<p><b>Phillips Round Head Screw (4mm x 8mm)</b> (Used to mount bracket to RRU)</p>  <p>4 pc. (P/O XM-RCV)</p>	<p><b>Phillips Round Head. Screw (4mm x 12mm)</b> (Used to mount FM MOD to mounting surface)</p>  <p>4 pc. (P/O SAT-COM)</p>	
<p><b>Phillips Round Head Screw (4mm x 8mm) w/ External Tooth Washer</b> (Used to mount SCU to mounting surface)</p>  <p>4 pcs. each (P/O XM-RCV)</p>	<p><b>Din Cable, 13- pin (6 Meter)</b> To connect the RRU to the FM Modulator / Control Interface</p>  <p>1 pc. (P/O XM-RCV)</p>	<p><b>FM Modulator Control Interface Wire Harness</b></p>  <p>1 pc. (P/O SAT-COM)</p>		
<p><b>RCA to RCA Cable (6 Meter)</b> To connect the RRU to the FM Modulator / Control Interface</p>  <p>1 pc. (P/O XM-RCV)</p>	<p><b>SUPPLIED ACCESSORIES</b></p> <p><b>Quick Reference Card</b></p>  <p>1 pc. (P/O SAT-COM)</p> <p><b>Owner's Manual</b></p>  <p>1 pc. (P/O SAT-COM)</p>		<p><b>OPTIONAL ACCESSORIES</b></p> <p><b>Trim Ring, Satellite Control Model #SAT-PF</b></p>  <p><b>Satellite Radio Wireless Remote Control Model #SAT-RC</b></p> 	
<p><b>Hook &amp; Loop Adhesive Tape</b></p>  <p>1 cut set. (P/O SAT-COM)</p>				

# TYPICAL FM MODULATED SYSTEM INSTALLATION

## RRU:

DESCRIPTION: MAIN RECEIVER  
 LOCATION: TYPICALLY REAR CARGO OR TRUNK  
 CONNECTIONS: 1) 13 PIN CIRCULAR DIN-CONNECTOR FROM THE RF MODULATOR TO SATELLITE AND TERRESTRIAL ANTENNAS.  
 2) 13 PIN CIRCULAR DIN-CONNECTOR FROM THE RF MODULATOR TO SATELLITE AND TERRESTRIAL ANTENNAS.



**NOTE:** "A" To Satellite Radio Antenna (Sold Separately)  
 \*Green = Terrestrial connection  
 \*Yellow = Satellite connection

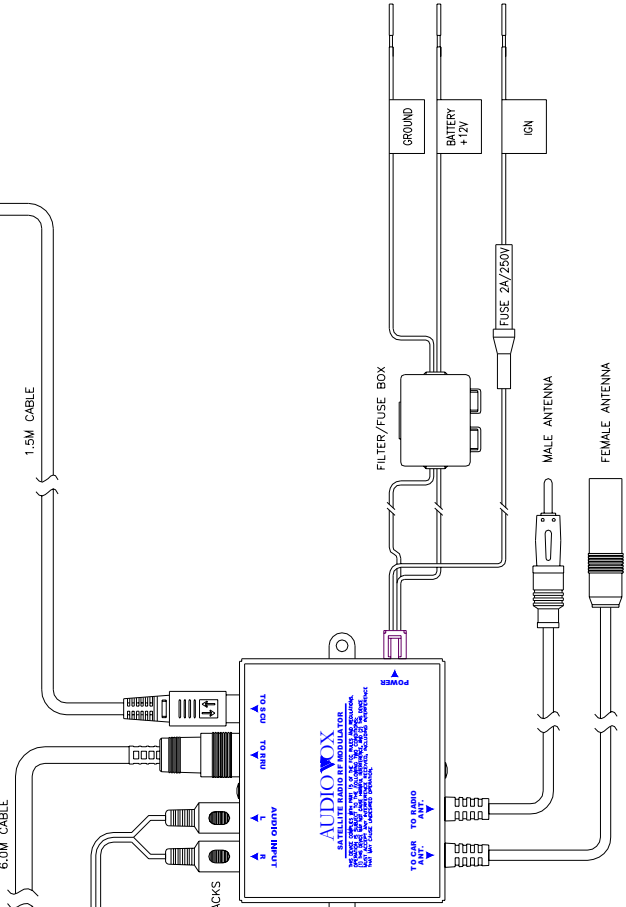
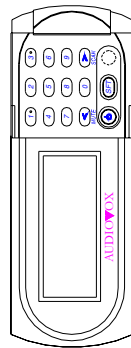
**NOTE:** "B" RCA to RCA Cable (supplied with system) used to connect the RRU Audio Output to the RF Modulator Audio Input.

**NOTE:** "C" Before routing the Din Cable to connect the FM Modulator to the RRU, observe the color code to avoid any unnecessary re-work. The Gray connector is matched to the FM Modulator and the Black connector is matched to the RRU.

**IMPORTANT** - Some vehicles use a special dual antenna "Diversity" system. If the vehicle into which this system is being installed has this type of antenna system, the antenna cable will not fit the socket on the FM modulator. Use of the SRXM-001 system with "Diversity" systems is not recommended. You may also find some cars have an antenna plug that is too small to mate with the socket on the FM modulator. If this is the case, call Audiovox's Toll-Free Assistance for a special adaptor. This adaptor can also be purchased at most car stereo installation centers.

## SCU:

DESCRIPTION: CONTROLLER/DISPLAY  
 LOCATION: PASSENGER COMPARTMENT-FRONT DASH  
 CONNECTIONS: 1) 1.5M CABLE HARDWIRED TO SCU  
 2) 6 PIN CIRCULAR DIN-CONNECTOR TO THE RF MODULATOR



## RF MODULATOR:

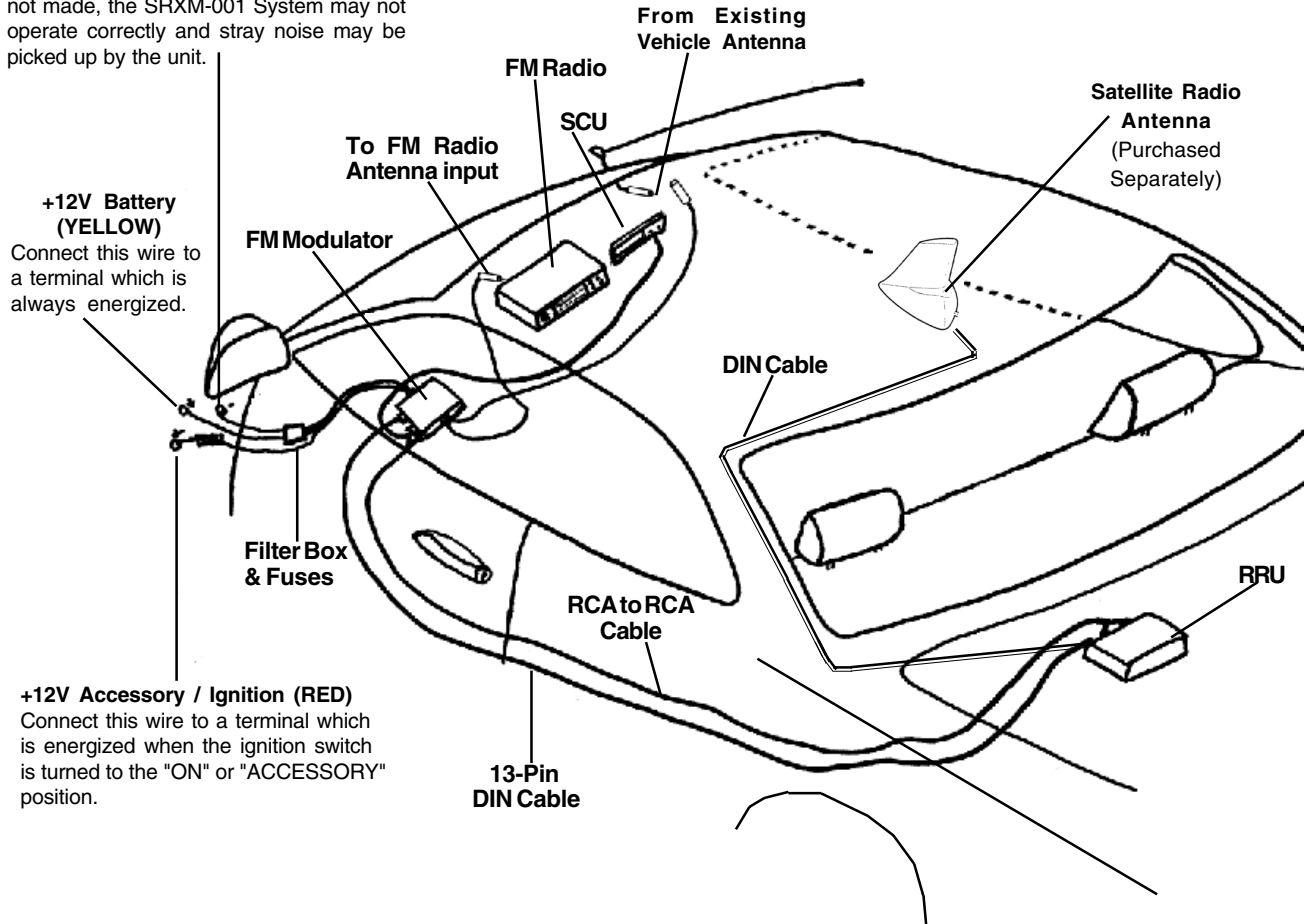
DESCRIPTION: PROVIDES FM OUTPUT TO HEAD UNIT. PROVIDES RECONNECT TO VEHICLE FROM THE ACC/IGN AND GROUND FOR THE ENTIRE SYSTEM.  
 LOCATION: PASSENGER COMPARTMENT-BEHIND FRONT DASH  
 CONNECTIONS: 1) +12V BATTERY, +12V ACC/IGN, AND GROUND  
 2) 1 FEMALE AND 1 MALE MOTOROLA ANTENNA CONNECTOR ON 450.0mm PIGTAIL  
 3) 1 PAIR OF RCA LOW LEVEL AUDIO INPUTS  
 4) 13 PIN CIRCULAR DIN-CONNECTOR TO THE RRU  
 AND DATA COMMUNICATION BETWEEN SCU AND RRU.



# TYPICAL FM MODULATED INSTALLATION for SRXM-001 SYSTEM COMPONENT LAYOUT

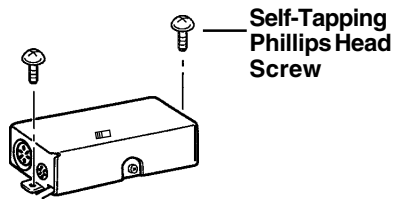
## Ground (BLACK)

Attach this wire to the chassis of the car. Be sure that the surface is free of paint and is not rusty. If a proper ground connection is not made, the SRXM-001 System may not operate correctly and stray noise may be picked up by the unit.



**+12V Battery (YELLOW)**  
Connect this wire to a terminal which is always energized.

**+12V Accessory / Ignition (RED)**  
Connect this wire to a terminal which is energized when the ignition switch is turned to the "ON" or "ACCESSORY" position.



## MOUNTING THE FM MODULATOR

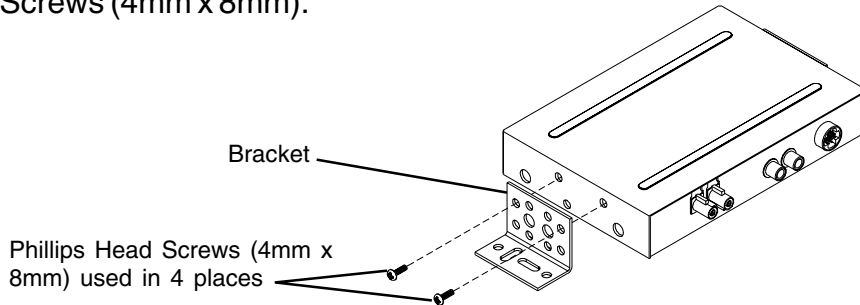
Install the FM Modulator to the mounting surface with the self-tapping screws (4mm x 12mm).

# SYSTEM INSTALLATION

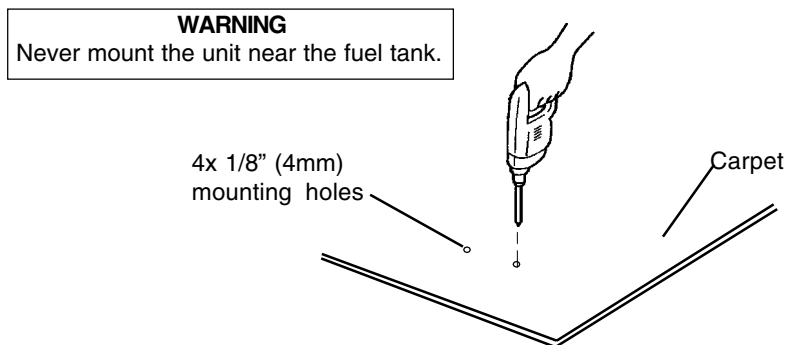
## RADIO RECEIVER UNIT (RRU)

### PROCEDURE for HORIZONTAL INSTALLATION of the RRU

1. Attach the mounting brackets to each side of the RRU, using the 4 Phillips Round Head Screws (4mm x 8mm).

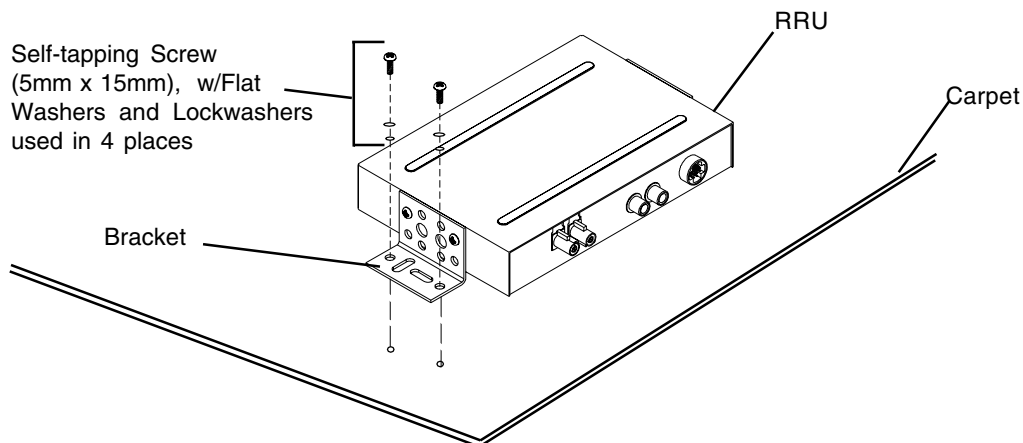


2. Determine the mounting location and drill 4x 1/8" (4mm) mounting holes.



**NOTE:** If mounting surface is carpeted, use caution when drilling holes to prevent drill bit from catching on carpet. Cut holes in carpet before drilling into subsurface.

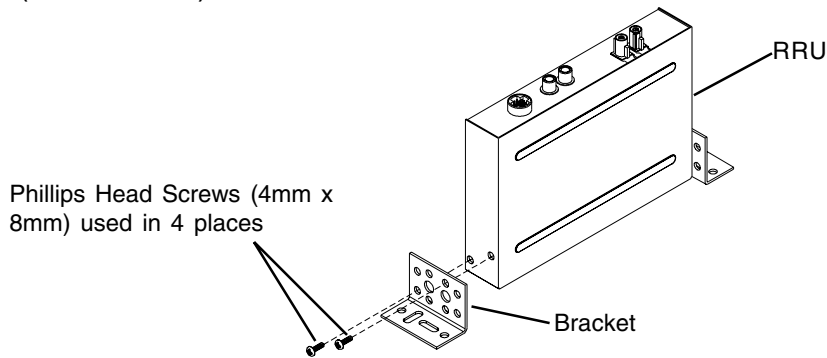
3. Mount the unit in place, using 4 Self-tapping Screws (5mm x 15mm), w/Flat Washers and Lock Washers. Use RTV (silicone sealer) on screw threads or around the holes to prevent moisture intrusion.



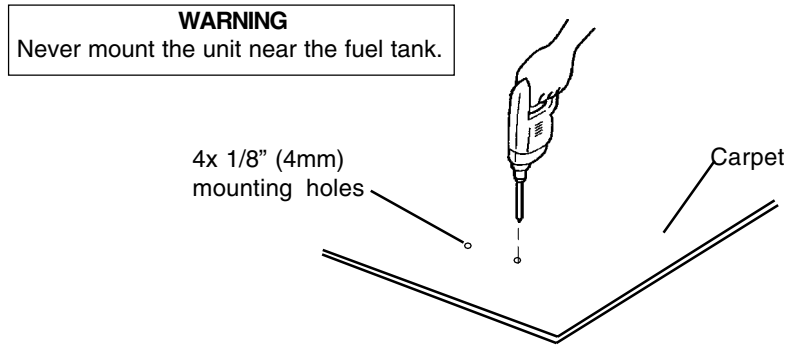


## PROCEDURE for VERTICAL INSTALLATION of the RRU

1. Attach a mounting bracket to each side of the RRU, using the 4 Phillips Round Head Screws (4mm x 8mm).

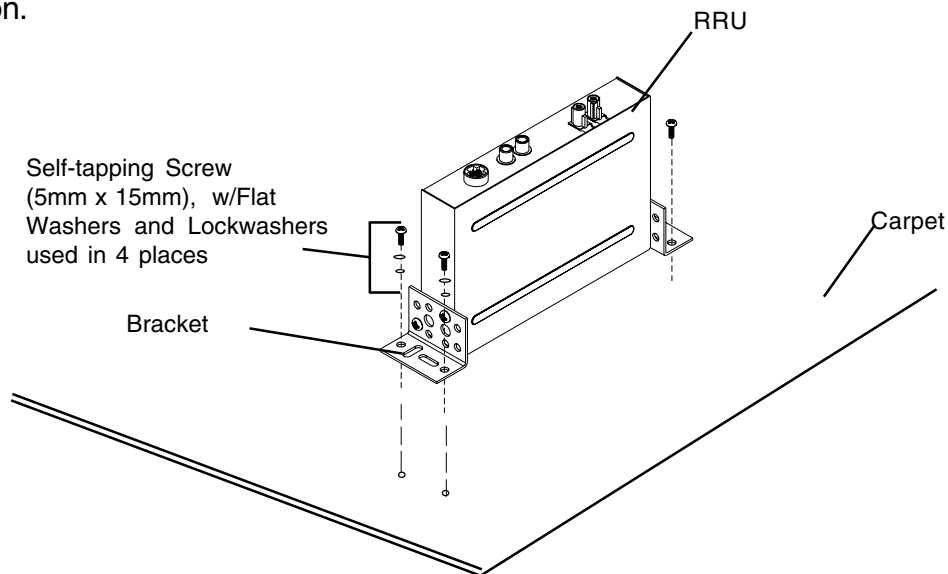


2. Determine the mounting location and drill 4 x 1/8" (4mm) mounting holes.



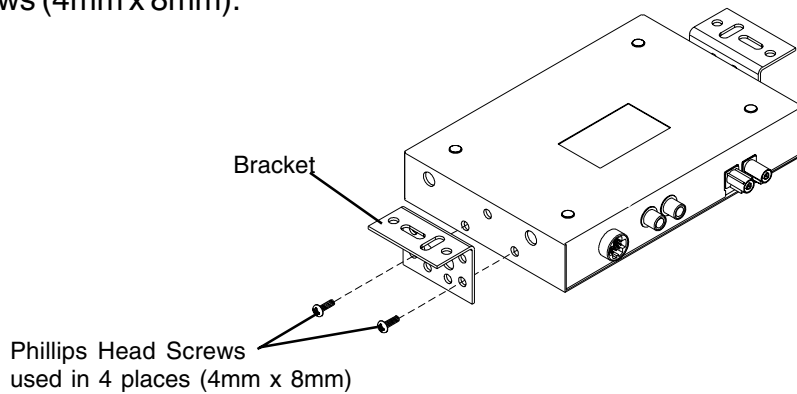
**NOTE:** If mounting surface is carpeted, use caution when drilling holes to prevent drill bit from catching on carpet. Cut holes in carpet before drilling into subsurface.

3. Mount the unit in place, using 4 Self-tapping Screws (5mm x 15mm), w/Flat Washers and Lock Washers. Use RTV (silicone sealer) on screw threads or around the holes to prevent moisture intrusion.

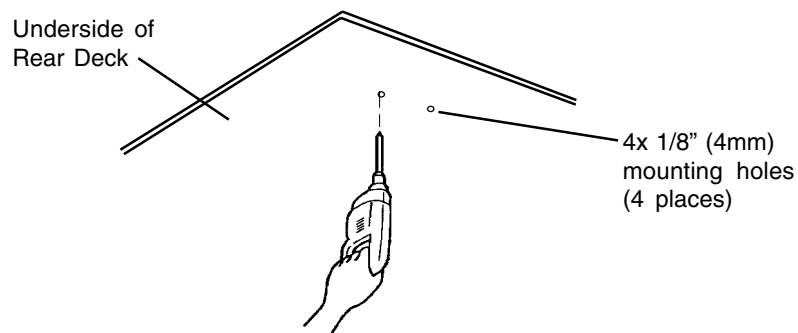


## PROCEDURE for the MOUNTING of the RRU UNDER THE REAR DECK

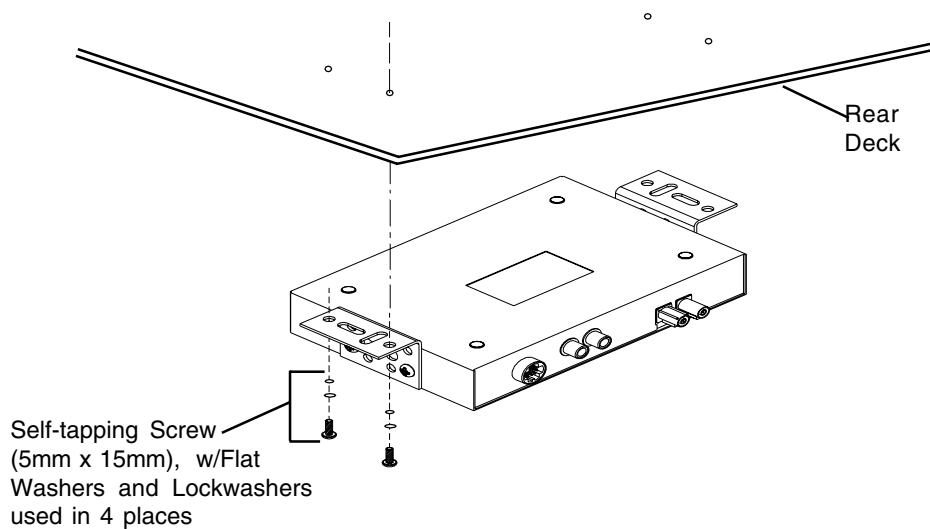
1. Attach the mounting brackets to each side of the RRU, using the 4 Phillips Round Head Screws (4mm x 8mm).



2. Determine the mounting location and drill four 4mm mounting holes.



3. Mount the unit in place, using 4 Self-tapping Screws (5mm x 15mm), w/Flat Washers and Lock Washers.



# INSTALLING THE SATELLITE SYSTEM CONTROL UNIT (SCU)

## PROCEDURE for a TYPICAL INSTALLATION of the SCU USING HOOK & LOOP ADHESIVE TAPE (SUPPLIED)

1. Determine where the SCU is to be located (flat surface) NOTE: The chosen position must allow a clear view of the display and easy access to the controls for both the Driver and Passenger of the vehicle.
2. Using an Alcohol Swab, clean and dry the entire surface area where the SCU is to be mounted and the back surface of the SCU.
3. Remove the protective paper from the back of the first piece of the supplied Hook & Loop Adhesive Tape (Loop side) and apply it to the mounting surface (see Figure 1.)
4. Remove the protective paper from the back of the second piece of the supplied Hook & Loop Adhesive Tape (Hook side) and apply it to the back side of the SCU (see Figure 2.). Position the SCU cable in the appropriate directional channel on the back of the SCU so that the back surface is flat (see Figure 3.).
5. Carefully press the SCU into place.

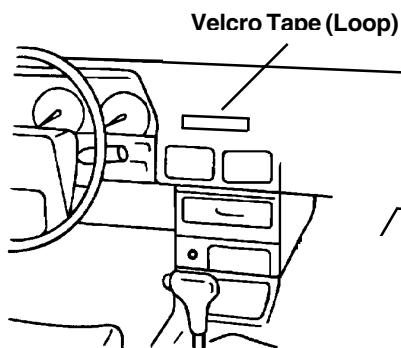


Figure 1.

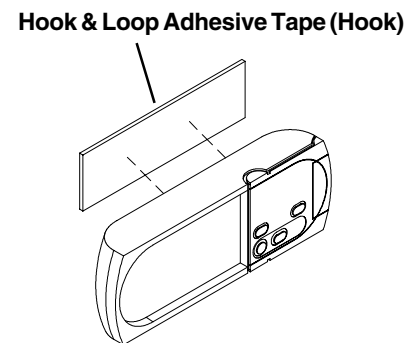


Figure 2.

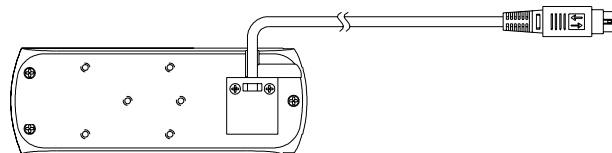


Figure 3.

**NOTE:** Do not install the unit in the following locations:

In Locations exposed to direct sunlight.

Where hot air is discharged from the car heater.

In areas subject to extreme temperatures.

## PROCEDURE FOR A TYPICAL BRACKET INSTALLATION OF THE SCU (Bracket not supplied)

Audiovox suggests this type of installation over the Hook & Loop type of installation though the Hook & Loop installation (if done correctly) is a secure and sufficient mounting option. Installation of the SCU using a bracket results in a professional, factory-installed look, without visibly damaging the interior of the vehicle. When combined with the optional Trim Ring (model #SAT-PF) the results are further cosmetically enhanced. There are several types of brackets available to accomplish this type of installation.

The installation procedure that follows, illustrates the use of a Pro.Fit® mounting bracket. Audiovox has found that the Pro.Fit® VSM® line of mounting brackets are easy to install and compliments the installation of the SCU as well as being a perfect match to the optional Trim Ring (model #SAT-PF). Pro.Fit® VSM® mounting brackets reduce the installation liability while maintaining the resale value of a car because of the professional fit, professional look and safe design.

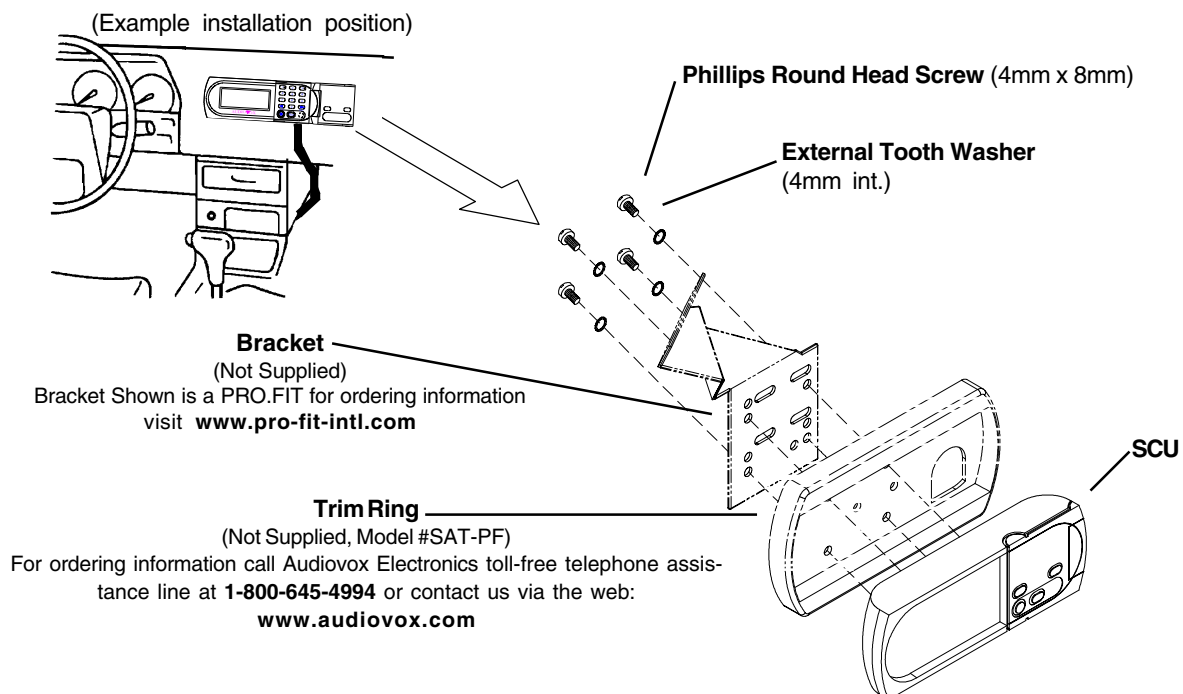
Currently Pro.Fit® VSM® offers hundreds of brackets, covering most popular cars, vans, and trucks. Step-by-step instructions and technical support are available for every mount and application.

After the proper mounting bracket has been selected and installed using the Original Manufacturers installation instructions, proceed with the following steps:

1. Feed the SCU Cable through the hole in the Trim Ring (optional) and connect it to the RF Modulator.
2. Using the Phillips Head Screws and the External Tooth Lock Washers (supplied), Mount the SCU to the bracket as shown in the Figure below.

**NOTE:** Use caution not to over tighten the screws into the back of the SCU as this may cause damage to the unit.

**NOTE:** Do not install the unit in the following locations:  
In Locations exposed to direct sunlight. Where hot air is discharged from the car heater. In areas subject to extreme temperatures.



Upon completion of the SCU installation and before the XM radio is activated a test of the system should be performed. To verify that the SRXM-001 system and the antenna have been installed correctly and are functioning, select and listen to CH 1. (XM preview channel). If there is no power to the SCU check that all connections have been made and that fuses are good. If there is no signal present, make sure that the antenna is unobstructed (move vehicle) and check the antenna cable connection to the RF Modulator. For a detailed trouble-shooting guide, refer to the Owner's Manual.

## Free Manuals Download Website

<http://myh66.com>

<http://usermanuals.us>

<http://www.somanuals.com>

<http://www.4manuals.cc>

<http://www.manual-lib.com>

<http://www.404manual.com>

<http://www.luxmanual.com>

<http://aubethermostatmanual.com>

Golf course search by state

<http://golfingnear.com>

Email search by domain

<http://emailbydomain.com>

Auto manuals search

<http://auto.somanuals.com>

TV manuals search

<http://tv.somanuals.com>