



# Installation Instructions for Stereo Systems

CALL TOLL-FREE FOR ANSWERS TO INSTALLATION QUESTIONS: 1-800-645-7102

DAY	TIME ZONE			
	PACIFIC	MOUNTAIN	CENTRAL	EASTERN
MON.- FRI.	5:30 AM - 4 PM	6:30 AM - 5 PM	7:30 AM - 6 PM	8:30 AM - 7 PM
SATURDAY	6 AM - 2 PM	7 AM - 3 PM	8 AM - 4 PM	9 AM - 5 PM

## INDEX

How To Use This Manual / Kit Information .....	Page 1
Universal and Import Car Installations .....	Page 2
Chevrolet-Oldsmobile-Pontiac-Buick-GMC-Cadillac-Saturn Installations.....	Pages 3, 4
Ford-Lincoln-Mercury Installations .....	Pages 5, 6
Chrysler-Dodge-Plymouth Installations .....	Page 7
Wiring Diagram .....	Page 8

## HOW TO USE THIS MANUAL

1. Identify the make and year of the car in which you will be installing this sound system.
2. Refer to the Kit Information and Kit Listing sections to determine if a kit is required.
3. If a kit is required, follow the directions in Kit Information section.
4. Follow the specific installation instructions for your particular make of car as listed in the index.

**NOTE:** Due to the wide variety of import cars and the different installations required, this manual does not show specific installations in these vehicles. However, this sound system can be installed in many import cars by following the "Universal Installation" section on page 2. Check the application chart at your retail store or call our toll-free "HELP" line for specific information on your particular car.

## KIT INFORMATION

1. **The years shown in the Kit Listing below are approximate. Always check the application chart at your retail store to find information on your specific make, model, and year of vehicle.** If a kit is required, read the description on the kit you intend to purchase to make sure it applies to your vehicle. If you have any doubts or questions, call our toll-free "HELP" line.
2. The kits shown below are Audiovox kits. Your retailer may sell kits made by other manufacturers which may also be usable to install this radio. Always check the kit application before purchasing it to make sure it will work with your vehicle.
3. If you believe you need a kit but cannot find a retail store where it is available, call our toll-free "HELP" line.

## KIT LISTING

VEHICLE TYPE		KIT REQUIREMENT/NOTES
Chevrolet-Oldsmobile-Buick-Pontiac-Cadillac-Saturn...	1981 and Older .....	No Kit Required
	1982 and Newer .....	AX-93-FCGM
Chevrolet-GMC Full Size Vans .....	1987 and Older .....	No Kit Required
	1988 and Newer .....	AX-88-CHV
Chevrolet-GMC Full Size Pickups .....	1987 and Older .....	No Kit Required
	1988 and Newer .....	AX-88-CHT
Chrysler-Dodge-Plymouth .....	U.S. Built 1974 and Newer .....	AX-93-FCGM
	Imported .....	Refer to In-Store Chart
Ford-Lincoln-Mercury .....	1984 and Older .....	No Kit Required
	1985 through 1990 .....	AX-93-FCGM
	1991 and Newer .....	AX-88-SNP
AMC-Jeep-Eagle .....	1971 and Newer .....	No Kit Required

## IMPORTS:

Acura-Audi-BMW-Daihatsu-Fiat-Honda-Hyundai-Mercedes-	
Peugeot-Porsche-Saab-Subaru-Volkswagen-Volvo-Yugo .....	Will Fit Most Years; Some Require AX-88-SNP Kit *
Nissan (Most Models) :1982 and Newer .....	Will Fit Most Years; Some Require AX-88-NAB Kit *
Mazda (Most Models):1986 and Newer .....	Will Fit Most Years; Some Require AX-87-MAZ Kit *
Toyota (Most Models):1982 and Newer .....	Will Fit Most Years; Some Require AX-88-TOY Kit *

\* Refer to In-Store Chart to determine if kit is required.

For vehicles not listed or more specific information, refer to the in-store application chart or call our "HELP" line.

# UNIVERSAL INSTALLATION FOR VEHICLES WITH AN EXISTING RADIO OPENING

This installation is designed for cars, trucks, vans, and boats that have an existing radio opening. It can also be used as an option on some of the vehicles listed as requiring the AX-88-SNP kit. It will not work on all vehicles, but can be used on most newer Fords and many imports.

## 1. Inspect the Existing Radio Opening:

- Use the trimplate supplied with the radio to cover the existing opening. If it completely covers the opening, you can install the radio as explained below. If it does not cover the opening, you will need an installation kit.
- Check that there will be sufficient space behind the dashboard for the radio chassis.

## 2. Wire the Radio to the Vehicle's Wiring:

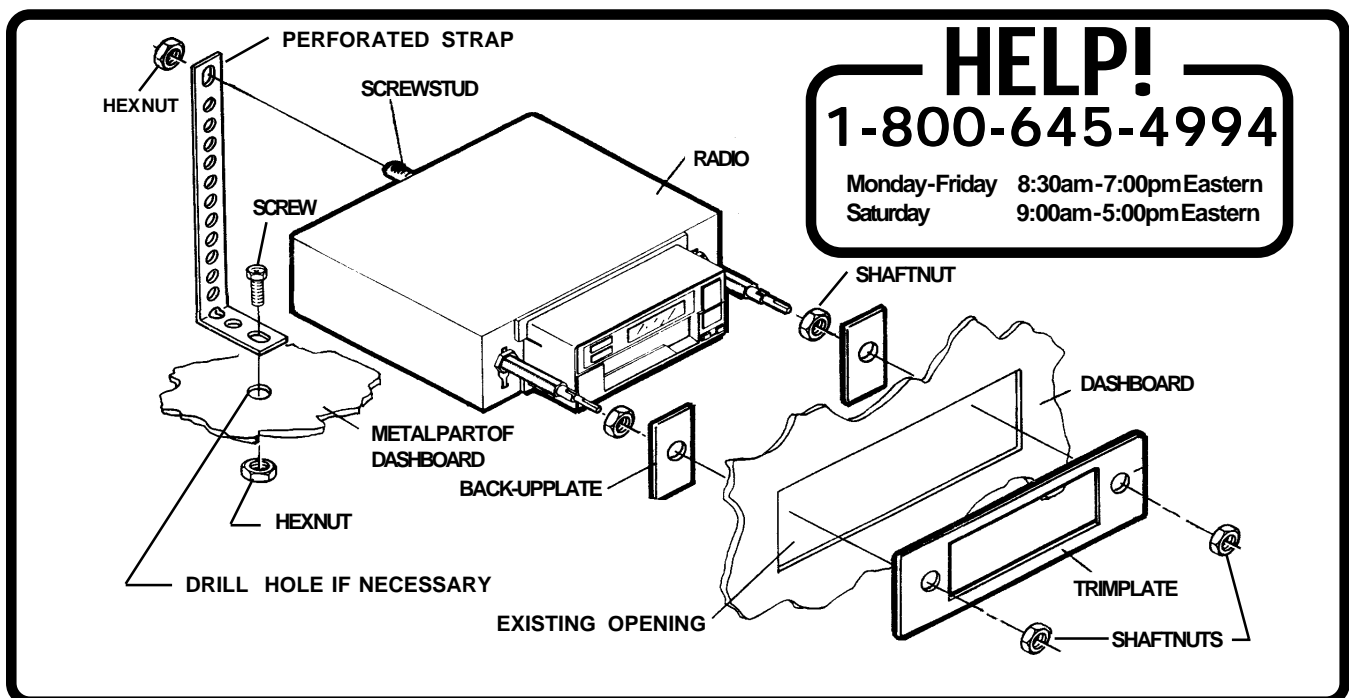
- In most cases it is easier to wire the radio before mounting it. Place the radio near the dashboard so the wires can be led through the opening.
- Carefully follow the diagram on page 8 to wire the radio, making certain all connections are secure and insulated with wire nuts or electrical tape to insure proper operation of the unit.
- After completing the wiring, turn the unit on to confirm operation (ignition switch must be "on"). If unit does not operate, re-check all wiring until problem is corrected. Once proper operation is achieved, turn off unit and ignition switch, and proceed with final mounting of the radio.

## 3. Mounting the Radio:

- Thread a shaft nut half-way down each radio shaft.
- Place a metal back-up plate on each radio shaft against the shaft nut.
- Position the radio behind the dashboard opening so that the back-up plates are snug against the back of the opening. Adjust the shaft nuts behind the back-up plates so that the desired amount of radio extends through the opening. If possible, the best appearance is usually achieved when there is enough of the radio extending to be flush with the front of the trimplate.
- Place the trimplate over the front of the radio and secure it with a shaft nut on each radio shaft.
- Attach one end of the perforated support strap (supplied) to the screw stud on the radio using the hex nut provided. Fasten the other end of the perforated support strap to a secure part of the dashboard either above or below the radio using the screw and nut provided. Bend the strap to position it as necessary.

**CAUTION:** The rear of the radio must be supported with the strap to prevent damage to the dashboard from the weight of the radio or improper operation of the radio due to vibration.

- Install knobs on radio shafts.



# CHEVROLET-OLDSMOBILE-BUICK-PONTIAC-GMC-CADILLAC INSTALLATION

## 1981 AND OLDER

**Important-**This installation is designed for 1981 and older U.S. made GM cars, trucks, and vans. For 1981 and newer vehicles, an installation kit may be required. See Kit Listing on Page 1 of this manual or refer to the in-store application chart. If a kit is not required, use the following instructions.

### 1. Remove the Existing Radio:

- A. Remove radio knobs and shaft nuts behind the knobs.
- B. Locate and remove support brace at back of radio.
- C. Push radio back into dashboard to access the wiring and antenna cables plugged into the rear of the chassis.
- D. Un-plug the wiring harness(es) and antenna cable and remove the radio.

### 2. Wire the New Radio:

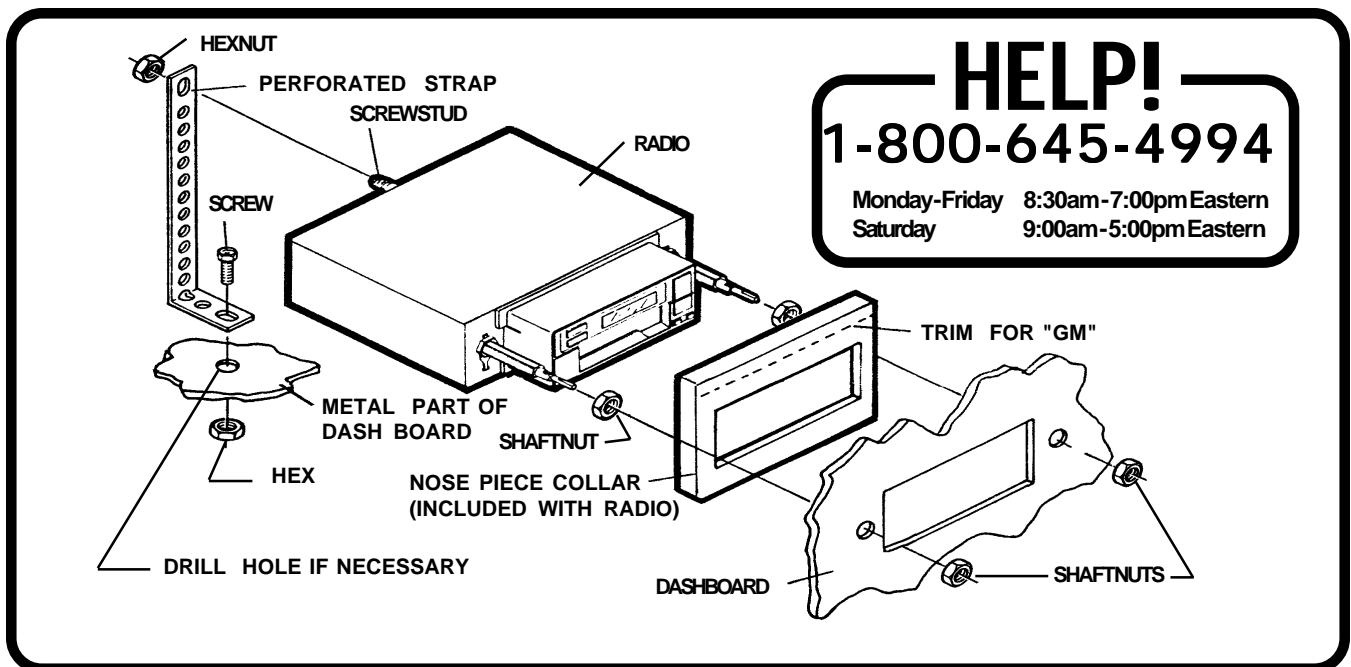
- A. In most cases it is easier to wire the radio before mounting it. Place the radio near the dashboard so the wires can be led through the opening.
- B. Carefully follow the diagram on page 8 to wire the radio, making certain all connections are secure and insulated with wire nuts or electrical tape to insure proper operation of the unit.
- C. After completing the wiring, turn the unit on to confirm operation (ignition switch must be "on"). If unit does not operate, re-check all wiring until problem is corrected. Once proper operation is achieved, turn off unit and ignition switch, and proceed with final mounting of the radio.

### 3. Install the New Radio:

- A. Thread a shaft nut half-way down each radio shaft.
- B. Trim the top edge off of the nosepiece collar at the "CUT OFF FOR GM" mark and place the collar on radio nosepiece.
- C. Place the radio behind dashboard and through the radio opening. Adjust the position of the shaft nuts so that the radio nosepiece and collar are flush against the back of the dashboard.
- D. Secure the radio with a shaft nut on each radio shaft.
- E. Attach one end of the perforated support strap (supplied) to the screw stud on the radio using the hex nut provided. Fasten the other end of the perforated strap to a secure part of the dashboard either above or below the radio using the screw and nut provided. Bend the strap to position it as necessary.

**CAUTION:** The rear of the radio must be supported with the strap to prevent damage to the dashboard from the weight of the radio or improper operation of the radio due to vibration.

- F. Install knobs on radio shafts.



# CHEVROLET-OLDSMOBILE-BUICK-PONTIAC-GMC-CADILLAC-SATURN INSTALLATION - 1982 AND NEWER

**Important-** This installation is designed for most 1982 and newer GM cars, trucks, and vans where an installation kit is required. See Kit Listing on Page 1 of this manual or refer to the in-store application chart. If a kit is not required, use the instructions on Page 3.

## 1. Remove the Existing Radio:

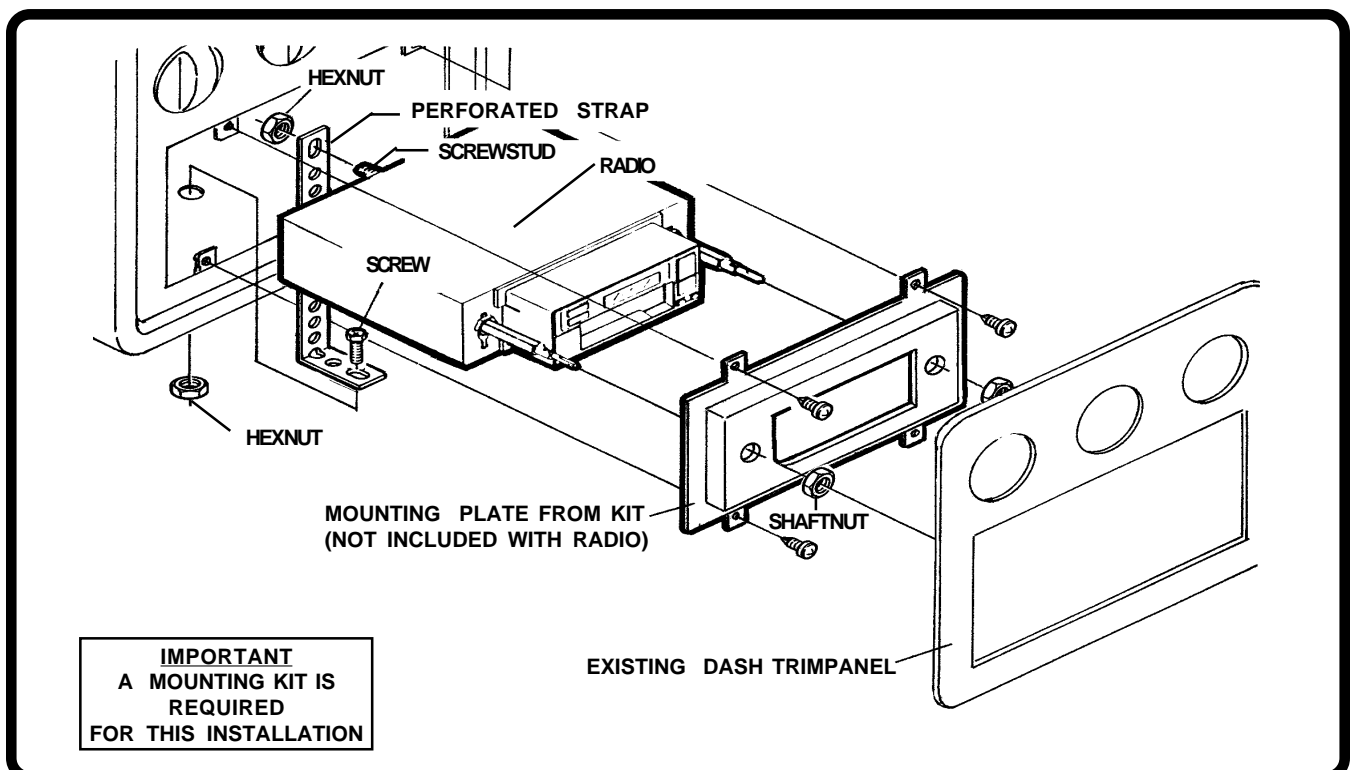
- A. Remove the existing dashboard trimpanel surrounding the radio opening. This panel is usually secured by screws and/or snap-in clips.
- B. Remove the screws used to secure the radio to the sub-dashboard.
- C. Pull the radio forward to access the wiring and antenna cables plugged into the rear of the chassis.
- D. Un-plug the wiring harness(es) and antenna cable and remove the radio.

## 2. Install the New Radio:

- A. Follow the instructions included with the installation kit to attach the radio to the mounting plate supplied with the kit.
- B. Place the radio near the dashboard so the wires can be led through the opening and following the instructions of Step 2 on Page 2 and diagram on Page 8, carefully wire the radio making certain all connections are secure and insulated and confirm proper operation.
- C. Install the radio/mounting plate assembly to the sub-dashboard according to instructions of installation kit.
- D. Attach one end of the perforated support strap (supplied) to the screw stud on the radio using the hex nut provided. Fasten the other end of the perforated strap to a secure part of the dashboard either above or below the radio using the screw and nut provided. Bend the strap to position it as necessary.

**CAUTION:** The rear of the radio must be supported with the strap to prevent damage to the dashboard from the weight of the radio or improper operation of the radio due to vibration.

- E. Replace the dashboard trimpanel.
- F. Install knobs on radio shafts.



# FORD-LINCOLN-MERCURY INSTALLATION - 1984 AND OLDER

**Important-** This installation is designed for 1984 and older U.S. made Ford cars, trucks, and vans. For newer vehicles, an installation kit may be required. See Kit Listing on Page 1 of this manual or refer to the in-store chart.

## 1. Remove the Existing Radio:

- A. Remove radio knobs and shaft nuts behind the knobs.
- B. Locate and remove support brace at back of radio.
- C. Push radio back into dashboard to access the wiring and antenna cables plugged into the rear of the chassis.
- D. Un-plug the wiring harness(es) and antenna cable and remove the radio.

## 2. Wire the New Radio:

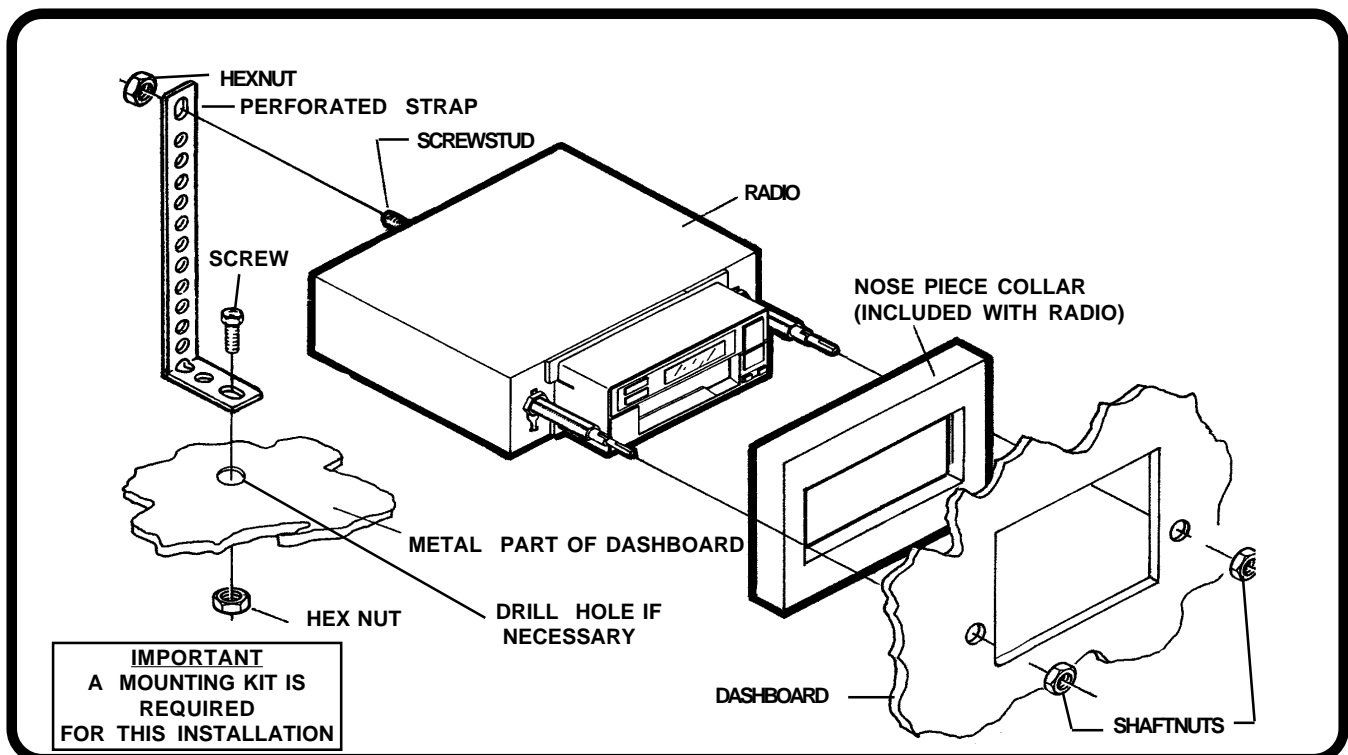
- A. In most cases it is easier to wire the radio before mounting it. Place the radio near the dashboard so the wires can be led through the opening.
- B. Carefully follow the diagram on pages 8 to wire the radio, making certain all connections are secure and insulated with wire nuts or electrical tape to insure proper operation of the unit.
- C. After completing the wiring, turn the unit on to confirm operation (ignition switch must be "on"). If unit does not operate, re-check all wiring until problem is corrected. Once proper operation is achieved, turn off unit and ignition switch, and proceed with final mounting of the radio.

## 3. Install the New Radio:

- A. Thread a shaft nut halfway down each radio shaft.
- B. Place the nosepiece collar on the radio nosepiece.
- C. Place the radio behind dashboard and through the radio opening. Adjust the position of the shaft nuts so that the radio nosepiece and collar are flush against the back of the dashboard.
- D. Secure the radio with a shaft nut on each radio shaft.
- E. Attach one end of the perforated support strap (supplied) to the screw stud on the radio using the hex nut provided. Fasten the other end of the perforated strap to a secure part of the dashboard either above or below the radio using the screw and nut provided. Bend the strap to position it as necessary.

**CAUTION:** The rear of the radio must be supported with the strap to prevent damage to the dashboard from the weight of the radio or improper operation of the radio due to vibration.

- F. Install knobs on radio shafts.



# FORD-LINCOLN-MERCURY INSTALLATION - 1985 AND NEWER

**Important**-This installation is designed for most 1985 through 1990 U.S. made Ford cars, and vans and an installation kit is required for these vehicles. See Kit Listing on Page 1 of this manual or refer to the in-store application chart. For 1991 and newer vehicles, the radio can be installed as shown on Page 2 of this manual or you can use the AX-88-SNP kit. Instructions for use of the AS-88-SNP kit are included with the kit and are not shown in this manual.

## 1. Remove the Existing Radio:

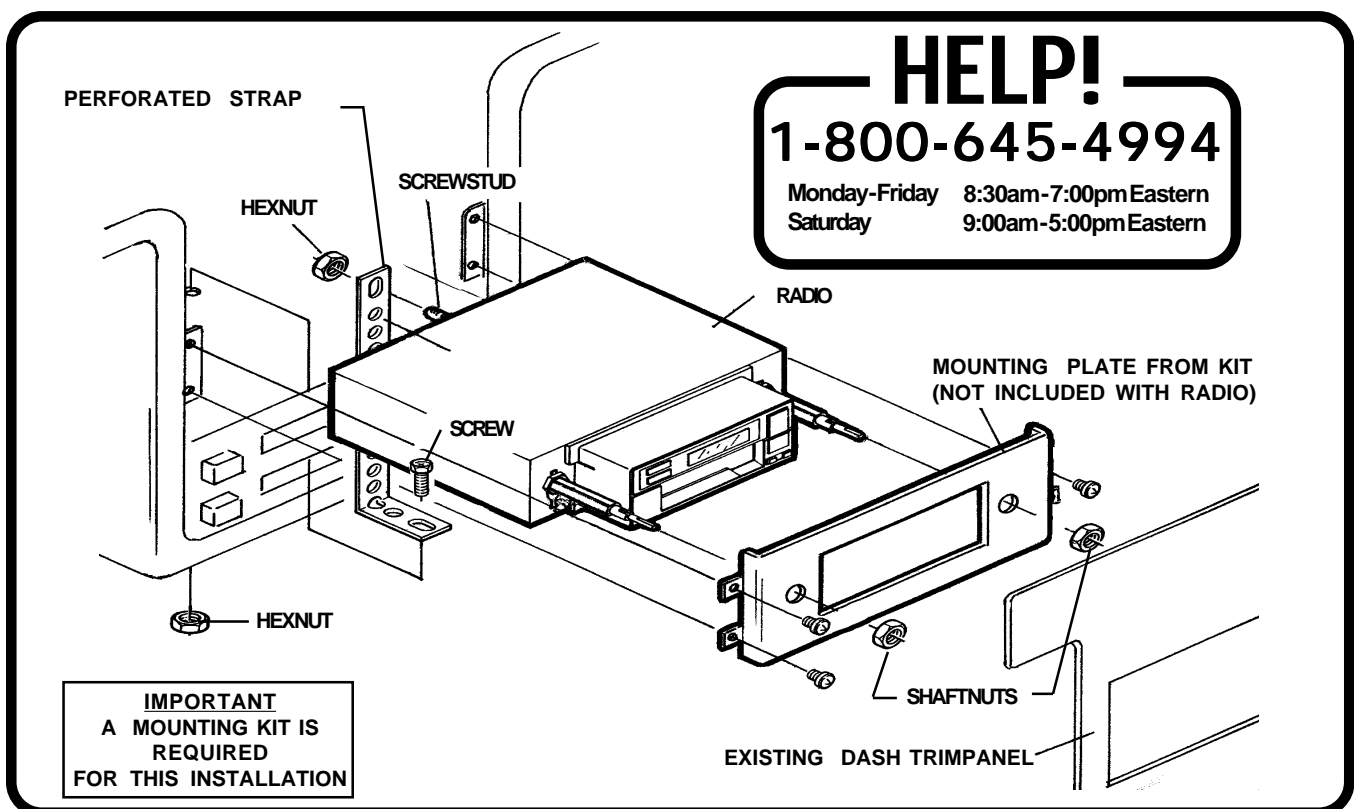
- A. Remove existing dashboard trimpanel surrounding the radio opening. This panel is usually secured by screws and/or snap-in clips.
- B. Remove the screws used to secure radio to the sub-dashboard.
- C. Pull the radio forward to access the wiring and antenna cables plugged into the rear of the chassis.
- D. Un-plug the wiring harness(es) and antenna cable and remove the radio.

## 2. Install the New Radio:

- A. Follow the instructions included with the installation kit to attach the radio to the mounting plate supplied with the kit.
- B. Place the radio near the dashboard so the wires can be led through the opening and following the instructions of Step 2 on Page 2 and diagram on Page 8, carefully wire the radio making certain all connections are secure and insulated and confirm proper operation.
- C. Install the radio/mounting plate assembly to the sub-dashboard according to instructions of installation kit.
- D. Attach one end of the perforated support strap (supplied) to the screw stud on the radio using the hex nut provided. Fasten the other end of the perforated strap to a secure part of the dashboard either above or below the radio using the screw and nut provided. Bend the strap to position it as necessary.

**CAUTION:** The rear of the radio must be supported with the strap to prevent damage to the dashboard from the weight of the radio or improper operation of the radio due to vibration.

- E. Replace the dashboard trimpanel.
- F. Install knobs on radio shafts.



# CHRYSLER-DODGE-PLYMOUTH INSTALLATION

## ALL U.S. MADE CARS, TRUCKS, AND VANS BUILT SINCE 1974

**Important-** This radio cannot be installed in any U.S. made Chrysler, Dodge, or Plymouth vehicle without an installation kit. Refer to the Kit Listing on Page 1 for the required kit. Complete kit installation is explained in the instructions included with the kit.

### 1. Remove the Existing Radio:

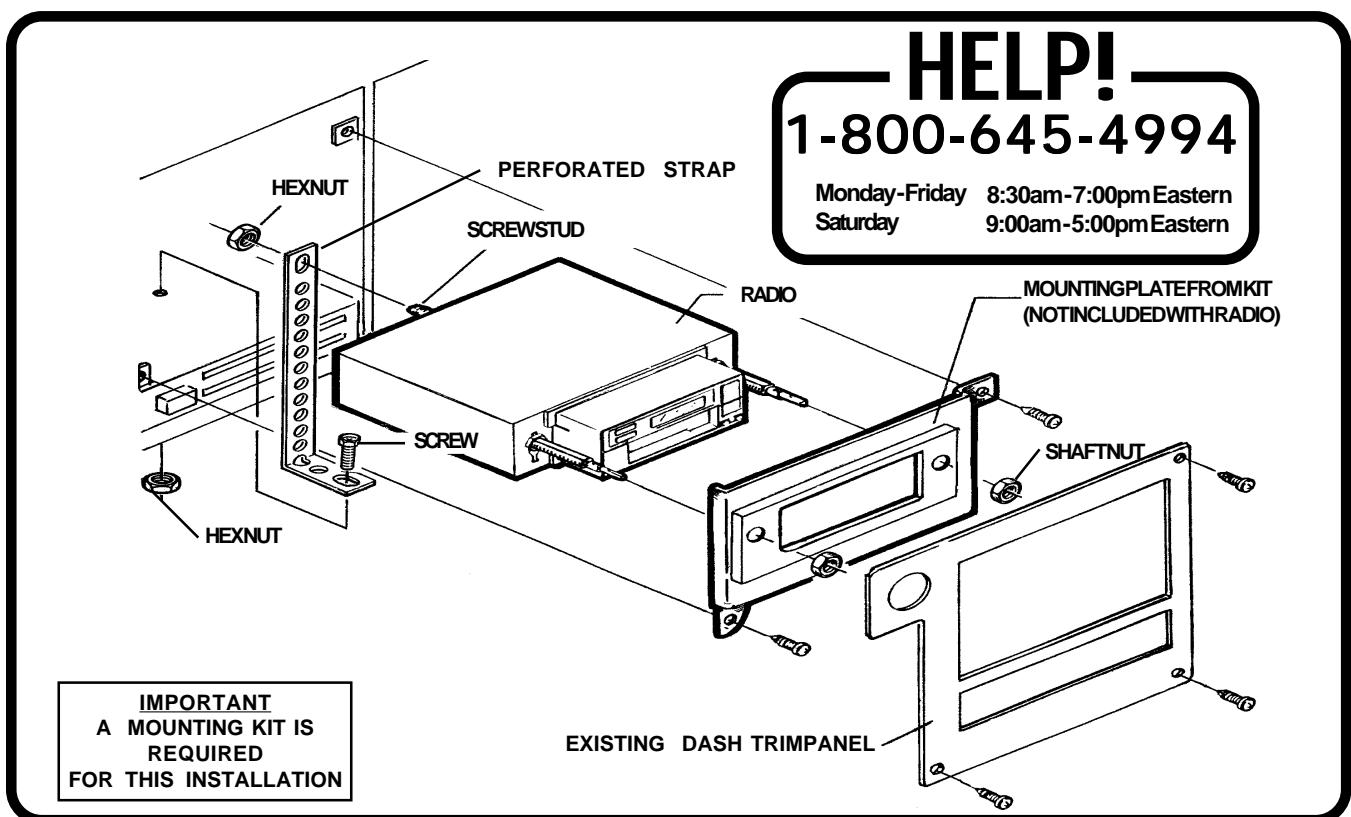
- Remove the existing dashboard trimpanel surrounding the radio opening. This panel is usually secured by screws and/or snap-in clips.
- Remove the two large screws used to secure radio to the sub-dashboard.
- Pull the radio forward to access the wiring and antenna cables plugged into the rear of the chassis.
- Un-plug the wiring harness(es) and antenna cable and remove the radio.

### 2. Install the New Radio:

- Follow the instructions included with the installation kit to attach the radio to the mounting plate supplied with the kit.
- Place the radio near the dashboard so the wires can be led through the opening and following the instructions of Step 2 on Page 2 and the diagram on Page 8, carefully wire the radio making certain all connections are secure and insulated and confirm proper operation.
- Install the radio/mounting plate assembly to the sub-dashboard according to instructions of installation kit.
- Attach one end of the perforated support strap (supplied) to the screw stud on the radio using the hex nut provided. Fasten the other end of the perforated strap to a secure part of the dashboard either above or below the radio using the screw and nut provided. Bend the strap to position it as necessary.

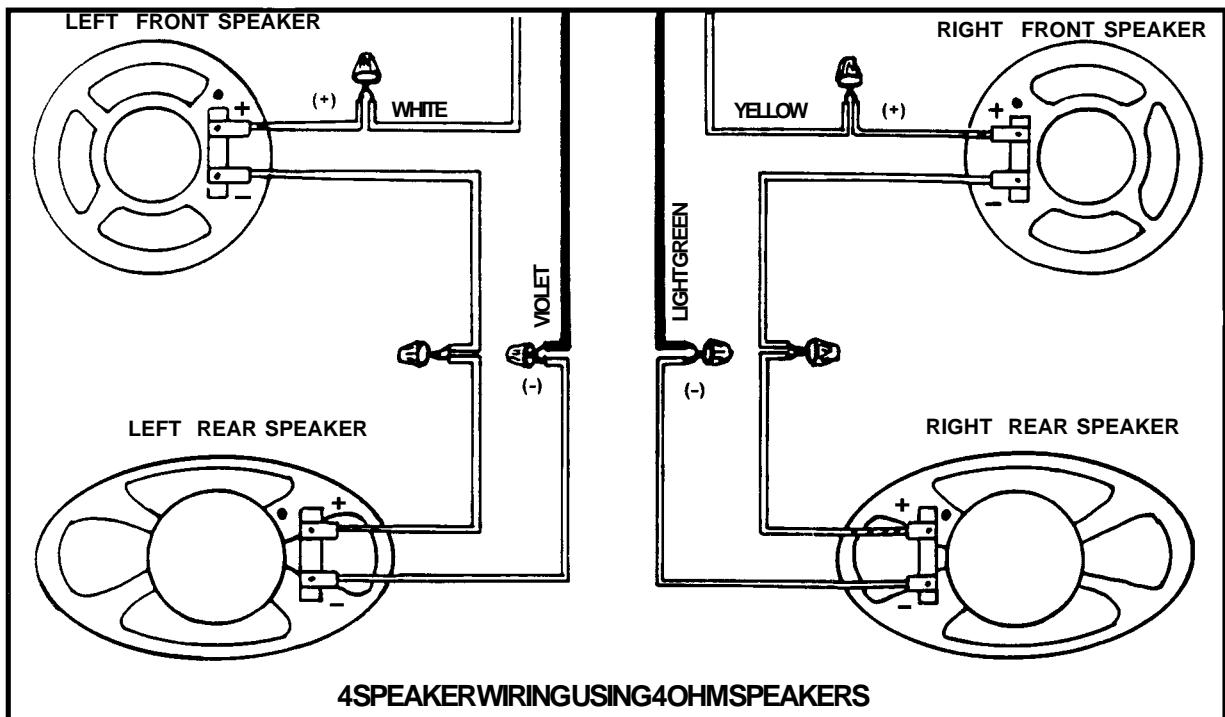
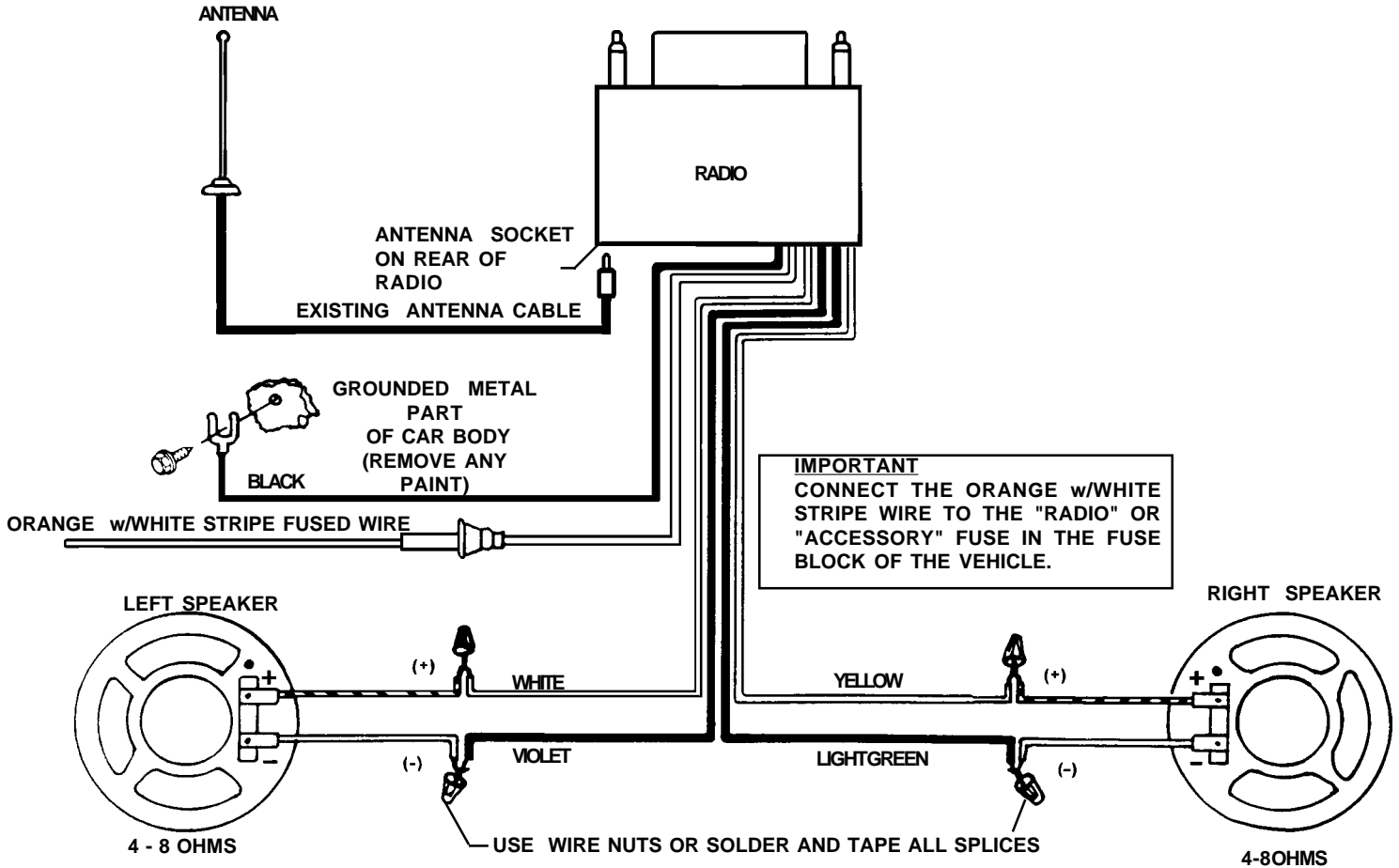
**CAUTION:** The rear of the radio must be supported with the strap to prevent damage to the dashboard from the weight of the radio or improper operation of the radio due to vibration.

- Replace the dashboard trimpanel.
- Install knobs on radio shafts.



# WIRING DIAGRAM

**CAUTION: NEVER TURN ON RADIO WITHOUT ALL SPEAKERS CONNECTED. NEVER CONNECT RADIO TO ONLY ONE SPEAKER - A MINIMUM OF TWO MUST BE USED.**



Audiovox Corporation, 150 Marcus Blvd., Hauppauge N.Y. 11788



## Free Manuals Download Website

<http://myh66.com>

<http://usermanuals.us>

<http://www.somanuals.com>

<http://www.4manuals.cc>

<http://www.manual-lib.com>

<http://www.404manual.com>

<http://www.luxmanual.com>

<http://aubethermostatmanual.com>

Golf course search by state

<http://golfingnear.com>

Email search by domain

<http://emailbydomain.com>

Auto manuals search

<http://auto.somanuals.com>

TV manuals search

<http://tv.somanuals.com>