



HDTVlp Antenna Pro Amplified
Low Profile Indoor Television Antenna

TERK
by AUDIOVOX

About Your TERK HDTVlp Antenna Pro

Thank you for choosing the TERK HDTVlp. TERK antennas are designed to deliver sharp, clear, high definition signal reception. At TERK, our engineering department is dedicated to designing antennas that enhance both the latest technology and the aesthetics of any viewing environment. The HDTVlp installs in minutes, is easy to use and simple to adjust. Before using your antenna, please remove all parts from the box and read the owner's manual carefully.

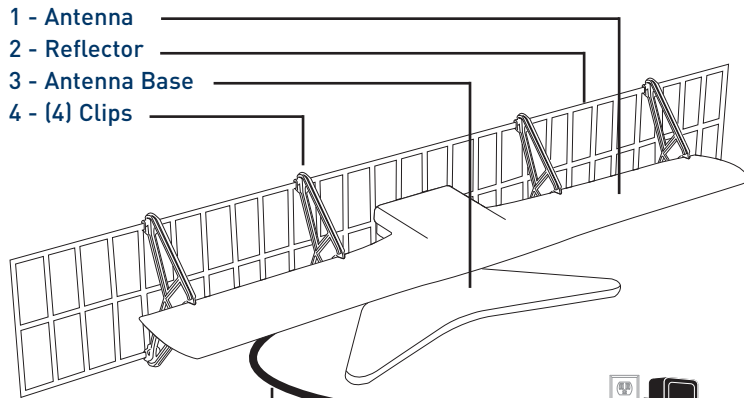


Fig. 1

- 1 - Antenna
- 2 - Reflector
- 3 - Antenna Base
- 4 - (4) Clips
- 5 - 6' Mini Coax Cable
- 6 - 2' Standard Coax Cable
- 7 - Power Injector
- 8 - 6' Standard Coax Cable
- 9 - AC Adapter
- 10 - (4) Rubber Feet

Installation

Attaching the Clips to the Reflector:

1. Lay the Reflector flat on a table
2. Grip the Reflector with your thumb and index finger and bend the Reflector's top and bottom edges towards you (see fig 2,3)
3. With your other hand, grasp the Clip and attach it to the Reflector at the two notches
4. Repeat steps 2 and 3 for all four Clips

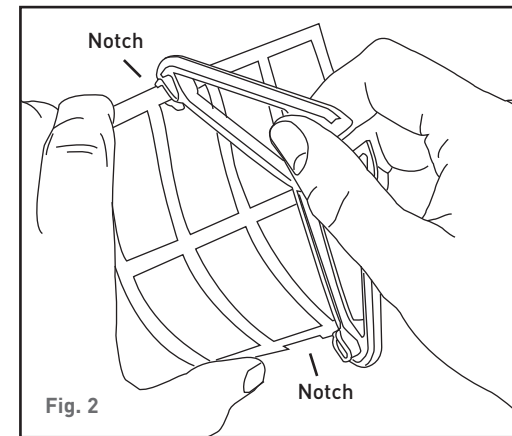


Fig. 2

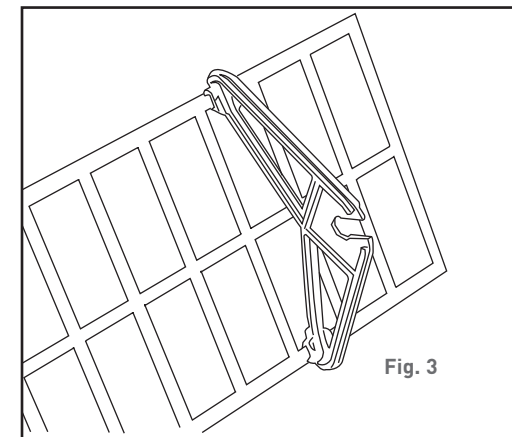
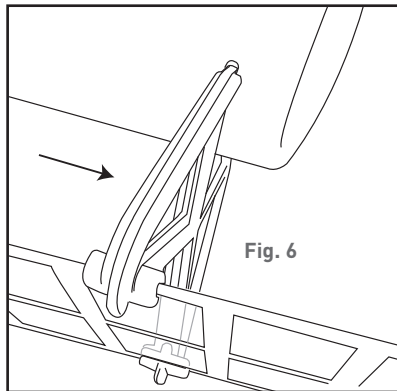
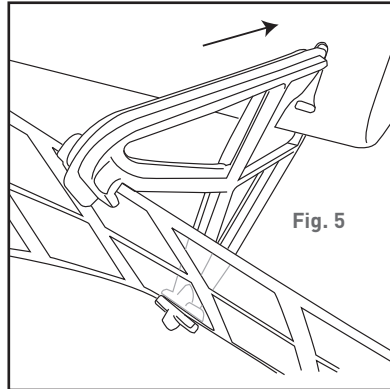
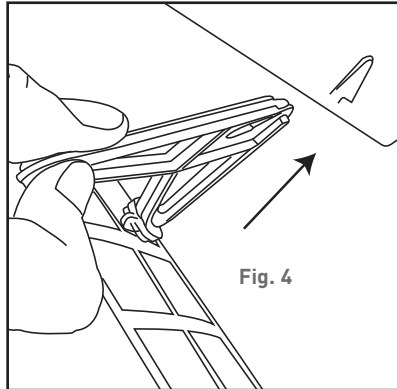


Fig. 3

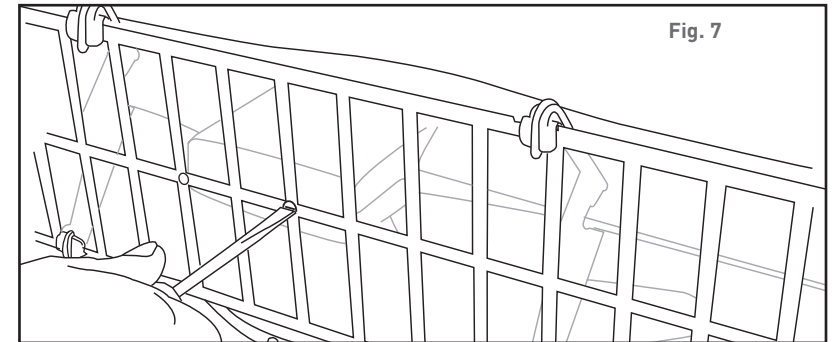
Attaching the Reflector to the Antenna

1. Starting from the right side, slide the Clip that is attached to the Reflector diagonally into the notch at the back of the Antenna. [see fig 4,5]
2. Once the Clip is pushed in, slide it to the side so that it forms a 90 degree angle to the Antenna's edge [see fig 6]
3. Repeat steps 1 and 2 for all four Clips



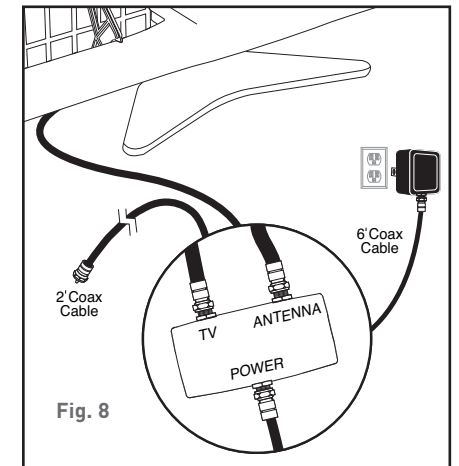
Attaching the Antenna with Reflector to the Base

1. Route the 6' Mini Coax Cable through the Base and screw it securely to the Antenna
2. Slide the Antenna with Reflector onto the Base
3. Using a screw driver slightly tighten the 2 screws [see fig 7] to secure the Antenna to the Base



Connecting the HDTVlp

1. Connect the Mini Coax Cable that is attached to the Antenna to the Power Injector labeled "Antenna"
2. Connect the 2' Standard Coax Cable from the Power Injector labeled "TV" to your HDTV or Set-top box
3. Connect the 6' Standard Coax Cable from the Power Injector labeled "Power" to the AC Adapter
4. Plug in the AC Adapter to a standard AC outlet



Attaching Rubber Feet to the Base

Remove the protective adhesive strip from the 4 rubber feet and apply them to the bottom of the antenna base.

Operating Your HDTVlp

Locating Your HDTVlp

Your HDTVlp is a precision instrument and should be placed in a location that is best for receiving TV signals.

Your HDTVlp can be placed on top of any TV for ease of adjustment.

Operating the HDTVlp

Positioning the HDTVlp properly will give you optimal digital television (DTV) reception, especially in areas of high multipath. In such areas, an antenna reposition of a few inches could mean the difference between an excellent DTV stream or a loss of picture.

First you should point the antenna towards a window.

If this fails to give you a solid picture, slowly rotate the antenna 360 degrees until you receive a picture - the HDTVlp antenna was designed to pick up reflected signals from interior walls. Keep in mind that the best reflected signal may be behind the antenna.

NOTE: It is best to utilize the Signal Strength Meter of your set-top box or HDTV television with built in tuner to optimize the position of the HDTVlp antenna.

You can use the following Web tool to find where the broadcast towers are located:

1. Go to www.terk.com and click the "Antenna Locator."
2. Enter your home's address and then "Submit."
3. Click "View Street Level Map" to see which direction you should point your antenna.

Please Note:

1. Do not place your HDTVlp near large metal objects or appliances that could create interference.
2. Do not lift your HDTVlp by its receiving elements or place objects on them.
3. Late model televisions have on-screen menu controls for viewing VHF/UHF "Off-Air" or cable broadcasts. Please ensure that this menu control is at the proper "Off-Air" position.

Trouble Shooting

No picture, or the tuner is displaying "no signal."

1. Make sure that the HDTVlp is connected to the correct "antenna in" input on the set-top box or TV.
2. Rotate the antenna around the room to find the best reflected signal, keep in mind that the best reflected signal may be behind the antenna. (See page 5 for directions on how to use the web to locate the broadcast tower location. Rotate the antenna base up to 360° until you receive the best signal possible).
3. For houses with aluminum siding/insulation or stucco, place the antenna near a window to minimize interference.

Frequently Asked Questions

Q. What do I need to get HDTV?

A. A High Definition television with built-in or set-top HD receiver.

Q. Why do I need an antenna?

A. This antenna will get you local high definition broadcast channels providing you live within 30 miles of the broadcast tower and there are no obstacles between you and the broadcast tower that could interfere with reception (see note).

Q. Can I use this antenna in a basement?

A. No, Broadcast signals cannot penetrate into basements due to their lower elevation.

Q. How can I get channels above channel 13?

A. Tuners have both cable and antenna modes. Access the proper on screen TV menu and switch from Cable/CATV mode to ANT/AIR mode to receive these channels.

Please Note:

Other variables, which are not related to antenna performance, can effect your reception. These include distance from the source transmitting the desired station, and man-made and natural conditions.

Example: Obstacles such as buildings between the transmitting source and your antenna.

Performance Specifications

Channels:

VHF: 2-13

UHF: 14-69

Dimensions: 5"H x 26³/₄"W x 4¹/₄"D

Amplifier Gain: VHF/ UHF: 7 -10 dB average

Limited Warranty

Audiovox Corporation (Audiovox) warrants this product against defects in materials or workmanship for one (1) year from the date of purchase. During this period, this product will be replaced without charge. This warranty does not cover any damage due to acts of nature, commercial use, accident, misuse, abuse or negligence. This warranty is only valid in the USA. Replacement as provided under this warranty is the exclusive remedy of the consumer.

Audiovox shall not be liable for any incidental or consequential damages for breach of any express or implied warranty on this product, except to the extent that limitations of this sort are prohibited by applicable law. THERE ARE NO IMPLIED WARRANTIES OF MERCHANTABILITY OR FITNESS FOR A PARTICULAR PURCHASE EXCEPT TO THE EXTENT THAT IMPLIED WARRANTIES OR EITHER SORT ARE REQUIRED BY APPLICABLE LAW, AND IN SUCH CASE, EACH WARRANTY IS LIMITED IN DURATION TO THE ONE YEAR.

**For customer service and
technical information: 1.800.290.6650**



For Customer Service
Visit Our Website At
www.audiovox.com
Product Information, Photos,
FAQ's, Owner's Manuals

TERK and the TERK logo are registered trademarks of AUDIOVOX Corp.

163P005A

Free Manuals Download Website

<http://myh66.com>

<http://usermanuals.us>

<http://www.somanuals.com>

<http://www.4manuals.cc>

<http://www.manual-lib.com>

<http://www.404manual.com>

<http://www.luxmanual.com>

<http://aubethermostatmanual.com>

Golf course search by state

<http://golfingnear.com>

Email search by domain

<http://emailbydomain.com>

Auto manuals search

<http://auto.somanuals.com>

TV manuals search

<http://tv.somanuals.com>