

P-99

**FOLD-DOWN DETACHABLE FACE
ELECTRONICALLY-TUNED AM/FM/MPX RADIO
WITH CD PLAYER, CD CHANGER CONTROLS
AND WIRELESS REMOTE CONTROL**

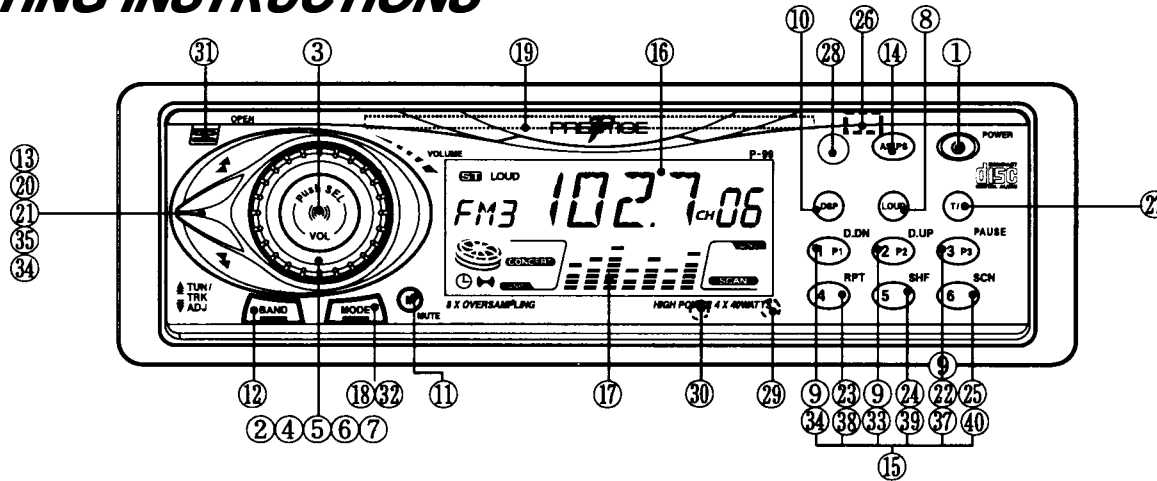


**OWNER'S
MANUAL**

INDEX

	Page
<i>Operating Instructions</i>	1 - 6
<i>Remote Control Operation</i>	7 - 8
<i>Setting the Clock</i>	9
<i>Frequency Step Switch</i>	9
<i>CD Player Error Codes</i>	9
<i>CD Changer Controls</i>	10 - 11
<i>CD Changer Error Codes</i>	11
<i>Specifications</i>	12
<i>Care and Maintenance</i>	13
<i>Warranty</i>	<i>Back Cover</i>

OPERATING INSTRUCTIONS



① ON/OFF POWER BUTTON

Press this button to turn the unit on or off. The unit will also turn on automatically when a compact disc is inserted if the ignition switch is "on" or when any front panel button is pressed.

② VOLUME / LEVEL CONTROL

To increase the volume level, turn the knob clockwise. The volume will increase and the level will be shown on the display panel from a minimum of "VOL 00" to a maximum of "VOL 63". To decrease the volume level, turn the knob counter-clockwise. The display will automatically return to the normal indication 5 seconds after the last volume adjustment or when another function is activated. These buttons are also used in conjunction with the Select button ③ to adjust the bass, treble, balance, and fader levels as described in ④, ⑤, ⑥ and ⑦.

③ SELECT BUTTON (SEL)

CONFIRMATION TONE SELECTOR (((••)))

This button is used to select the audio function (volume, treble, bass, balance, or fader) to be adjusted using the Level Control ②. Pressing the Select button once will set the unit for treble adjustment ("TRE" will appear on the display panel). Pressing the button additional times will select bass ("BAS" on the display), balance ("BAL"), fader ("FAD") or volume ("VOL"). The display will automatically return to the normal indication 5 seconds after the last adjustment or when another function is activated.

Pressing and holding the button for longer than 2 seconds will activate the Confirming Tone feature as indicated by two beep tones and the ((••)) indication appearing on the display panel. When activated, the unit will produce a single beep tone whenever a

momentary press function is activated and two beep tones whenever a press-and-hold function is activated (i.e. Auto-Store Tuning, etc.). To deactivate this feature, press the button again for longer than 2 seconds (the $\langle\langle\bullet\rangle\rangle$ indication will disappear from the display panel).

④ TREBLE CONTROL

To adjust the treble level, first select the Treble mode by pressing the Select button ③ so that the "TRE" indication appears on the display panel. Within 5 seconds of choosing the Treble mode, turn the Level Control ② clockwise to increase or counter-clockwise to decrease the treble response as desired. The treble level will be shown on the display panel from a minimum of -7 to a maximum of +7 (0 is flat response). The display will automatically return to the normal indication 5 seconds after the last adjustment or when another function is activated.

⑤ BASS CONTROL

To adjust the bass level, first select the Bass mode by pressing the Select button ③ so that the "BAS" indication appears on the display panel. Within 5 seconds of choosing the Bass mode, turn the Level Control ② clockwise to increase or counter-clockwise to decrease the bass response as desired. The bass level will be shown on the display panel from a minimum of -7 to a maximum of +7 (0 is flat response). The display will automatically return to the normal indication 5 seconds after the last adjustment or when another function is activated.

⑥ LEFT/RIGHT BALANCE CONTROL

To adjust the left-right speaker balance, first select the Balance mode by pressing the Select button ③ so that the "BAL" indication appears on the display panel. Within 5 seconds of choosing the

Balance mode, turn the Level Control ② clockwise or counter-clockwise to adjust the balance as desired. The balance position will be shown on the display panel from "BAL.L 15" (full left) through "BAL.R 15" (full right). When the volume level between the left and right speakers is equal, "BAL 0" will be shown on the display panel. The display will automatically return to the normal indication 5 seconds after the last adjustment or when another function is activated.

⑦ FRONT/REAR FADER CONTROL

To adjust the front-rear speaker balance, first select the Fader mode by pressing the Select button ③ so that the "FAD" indication appears on the display panel. Within 5 seconds of choosing the Fader mode, turn the Level Control ② clockwise or counter-clockwise to adjust the front-rear speaker balance as desired. The fader position will be shown on the display panel from "FAD.R 15" (full rear) through "FAD.F 15" (full front). When the level between the front and rear speakers is equal, "FAD 0" will be shown on the display panel. The display will automatically return to the normal indication 5 seconds after the last adjustment or when another function is activated.

⑧ LOUDNESS CONTOUR (LOUD)

When listening to music at low volume levels, this feature will boost the bass and treble ranges to compensate for the characteristics of human hearing. Press the button to activate this feature and the indication "LOUD" will appear on the display panel. Pressing the button again will deactivate the feature (the "LOUD" indication will disappear from the display panel).

⑨ AUDIO SETTING MEMORIES (P1/P2/P3)

Three pre-set buttons are provided on this unit to store desired

audio level positions into memories which can be easily recalled. To set any of the 3 audio memories, use the following procedure:

1. Use the Select button ③ and Level Control ② to adjust the volume, treble, bass, balance and fader to the desired settings.
2. Press the Select button ③ to call any of the audio functions on the display. Within 2 seconds of pressing the Select button and while the audio function is still on the display panel, press the pre-set button (1 through 3) to be set and continue to hold it in. After approximately 2 seconds, the volume will be momentarily muted and the pre-set number ("P-1", "P-2", or "P-3") will appear on the display panel indicating that the audio levels are now set into that memory position (release the button). The settings can be recalled at any time by pressing the Select button ③ and then that pre-set button within 2 seconds.

⑩ DIGITAL SOUND PROCESSOR (DSP)

The Digital Sound Processor feature adjusts the frequency response and reverberation effects, allowing you to tailor the sound reproduction to 3 different acoustic settings. Each press of the button will select a different effect (**LIVE**, **CONCERT** or **THEATER**) as shown by the indication on the display panel. Pressing the button again will restore normal stereo reproduction (**DSP** and effect mode indication will disappear from the display panel).

⑪ AUDIO MUTE (M)

This button is used to mute the volume from the system. By pressing the button, the indication "MUTE" will appear on the display panel and the volume will be muted. Pressing the Mute button again or activating any other function of the unit will return to the volume level setting in use before the Mute function was activated.

⑫ AM/FM BAND SELECTOR (BAND)

During radio operation, each momentary press of this button will change the radio band. The indication "AM1", "AM2", "FM1", "FM2", or "FM3" will appear on the display panel according to your selection. During CD, CD changer or AUX input operation, pressing this button will have no effect. Press the Mode Selector ⑱ to return to radio mode and then press the Band Selector.

⑬ MANUAL UP/DOWN TUNING (↕ / ↕) AUTOMATIC SEEK TUNING

Each time the button is tapped upward, the radio will tune one frequency step higher. Similarly, each tap of the button downward will tune one frequency step lower. To manually tune in a station, tap the button in the appropriate direction until the desired frequency is reached.

Moving the button upward or downward for longer than 0.5 seconds and then releasing will activate the Automatic Seek Tuning function. The radio will seek the next available station in the selected direction and stop at that frequency. The Seek function can be stopped by moving the button again or activating any other tuning function.

Moving and holding the button upward or downward for longer than 0.5 seconds will cause the radio to continue tuning rapidly in the selected direction until the button is released at which point it will seek to the next available station.

⑭ AUTO-STORE TUNING (AS) PRE-SET SCAN TUNING (PS)

During radio operation, press this button momentarily to scan the 6 stations pre-set into the memories of that band. The unit will stop at each pre-set station for 5 seconds before continuing to the

next pre-set station (the pre-set number on the display panel will flash during Pre-Set Scan operation). Press the button again momentarily to stop Pre-Set Scan operation and remain on the selected frequency.

Pressing the button for longer than 2 seconds will activate the Auto-Store Tuning feature which will automatically scan the band and enter up to 6 strong stations into the 6 pre-set memories (the indication "AST" will appear on the display panel to show that Auto-Store Tuning is in progress). After entering the stations into the memories, the unit will automatically stop at each station for 5 seconds so each can be heard. If you have already set the pre-set memories to your favorite stations, activating the Auto-Store feature will erase those stations and enter the new strong stations. This feature is most useful when traveling in a new area where you are not familiar with the local stations.

⑮ STATION PRE-SET MEMORIES

To set any of the 6 pre-set memories in each band, use the following procedure:

1. Turn the radio on and select the desired band.
2. Select the first station to be pre-set using the Manual Up/Down or Automatic Seek Tuning Controls ⑬.
3. Press the pre-set button to be set and continue to hold it in. After approximately 2 seconds, the pre-set number of the button will appear on the display panel, indicating that the station is now set into that pre-set memory position. The station can now be recalled at any time by pressing that button.
4. Repeat the above procedure for the remaining 5 pre-sets on that band and for the other 4 bands on the unit.

⑯ LIQUID CRYSTAL DISPLAY PANEL

The Liquid Crystal Display (LCD) panel displays the frequency, time, and activated functions.

NOTE: It is a characteristic of LCD panels that, if subjected to cold temperatures for an extended period of time, they may take longer to illuminate than under normal conditions. In addition, the visibility of the numbers on the LCD may slightly decrease. The LCD read-out will return to normal when the temperature increases to a normal range.


⑰ SPECTRUM ANALYZER DISPLAY

The Spectrum Analyzer Display feature incorporated in this unit breaks down the audio frequency spectrum into 7 bands and provides a visual indication of the amount of audio signal within each of these bands. The instantaneous signal level in each band is shown by the number of illuminated bars (1 to 9).

⑱ CD/CD CHANGER/AUX INPUT MODE SELECTOR (MODE)

This button is used to select between the radio, CD, CD changer (if installed) or auxiliary (AUX) audio input playback modes. Each press of the button will select a different mode and will be indicated on the display panel.

⑲ DISC SLOT

With the front panel in the fold-down position, gently insert the disc into the slot (label surface facing up) until the soft-loading mechanism engages and disc play begins. The "CD",  indication, track number and elapsed time will appear on the display panel.

NOTE: This unit is designed for play of standard 5" (12cm) Compact Discs ONLY. Do not attempt to use 3" (8cm) CD-Singles in this unit, either with or without an adapter, as damage to the

player and/or disc can occur. Such damage will not be covered by the Warranty on this product.


⑳ TRACK SELECT (▼/▲)

This button is used to quickly select the beginning of a particular track. With each momentary upward tap of the button, the next higher track number will be selected as shown on the display panel. Similarly, with each momentary downward tap of the button, the next lower track number will be selected.

㉑ CUE/REVIEW FUNCTIONS

High-speed audible search to any section of the disc can be made by the Cue and Review functions. Press and hold the button upward to advance rapidly in the forward direction or downward to advance rapidly in the backward direction. During either function, the elapsed time within each track will automatically be shown on the display panel.

㉒ PAUSE/PLAY SELECTOR (PAUSE)

During disc play, press this button to temporarily stop play of the disc (the  indication will flash and "PAUS" will appear on the display panel). Press the button again to resume play of the disc from the point at which it was stopped. Pause mode will also be canceled by activating any other disc function.

㉓ REPEAT PLAY SELECTOR (RPT)

During disc play, press this button to repeat the play of the selected track (**REPEAT** will appear on the display panel). Play of the track will continue to repeat until the button is pressed again and the **REPEAT** indication disappears from the display panel. Repeat Play mode will also be canceled by activating the Shuffle Play ㉔ or Track Scan ㉕ functions.

㉔ SHUFFLE PLAY SELECTOR (SHF)

During disc play, press this button to play the tracks on the disc in a random shuffled order (**SHUFFLE** will appear on the display panel). In Shuffle Play mode, pressing the Forward Track Select (▼) will also select tracks in the random order instead of the normal progression. The first press of the Backward Track Select (▲) will go back to the beginning of the track in play. Additional presses will select tracks in random order. The Shuffle Play mode can be canceled by pressing the button again (**SHUFFLE** indication will disappear from the display panel) or by activating the Repeat Play ㉓ or Track Scan ㉕ functions.

㉕ TRACK SCAN (SCAN)

During disc play, press this button to play the first 10 seconds of each track on the disc (**SCAN** will appear on the display panel). When a desired track is reached, press the Scan button again to cancel the function and play of the selected track will continue. Track Scan mode will also be canceled by activating the Repeat Play ㉓, Shuffle Play ㉔, or Track Select ㉑ functions.

㉖ DISC EJECT (▲)

Disc play is stopped and the disc is ejected by pressing this button on the rear of the front panel. Radio, CD changer or AUX operation will automatically resume depending on which mode was in operation prior to disc play. If the disc is not removed from the unit and the button is pressed again, the disc will be re-loaded and begin playing.

If the disc is not removed from the disc slot within 10 seconds of being ejected, it will automatically be re-loaded into the unit to prevent it from being accidentally damaged. Play of the disc can be resumed by using the Mode Selector ⑱ to choose CD player function.

⑳ TIME/FREQUENCY SELECTOR (T/F)

This unit can be set so that either the clock time or radio frequency/CD functions will normally appear on the display panel. Pressing the Time/Frequency Selector button when the radio frequency or CD indication is shown will change the display to show the time. The time will then be the priority setting and the display will automatically return to time display 5 seconds after any other radio, CD, or audio function display.

If the unit is set to time display priority, pressing the Time/Frequency Selector button will change the display to show the radio frequency/CD/AUX indication and this will then become the priority setting to which the display automatically returns 5 seconds after any other function is activated.

㉑ REMOTE SENSOR

The sensor for the infrared signal from the wireless remote control is located behind this lens. For optimal operation of the remote control, always aim it toward the sensor.

㉒ THEFT-DETERRENT L.E.D.

Located on the chassis behind the front panel, a light-emitting diode (L.E.D.) will flash when the panel is removed. The flashing light serves as a visual warning to the would-be thief that the unit has been disabled by removal of the front panel.

㉓ RE-SET BUTTON

A Re-Set button is located on the front of the chassis (front panel must be removed to access the button). The re-set circuitry is provided to protect the microprocessor circuitry and should only be activated under the following circumstances as it will erase the time and pre-set memories.

1. Upon initial installation after all wiring is completed.
2. After the position of the frequency step switch on the bottom of the chassis has been changed.
3. If there is a malfunction of any of the switches on the unit, pressing the Re-Set button may clear the system and return to normal operation.

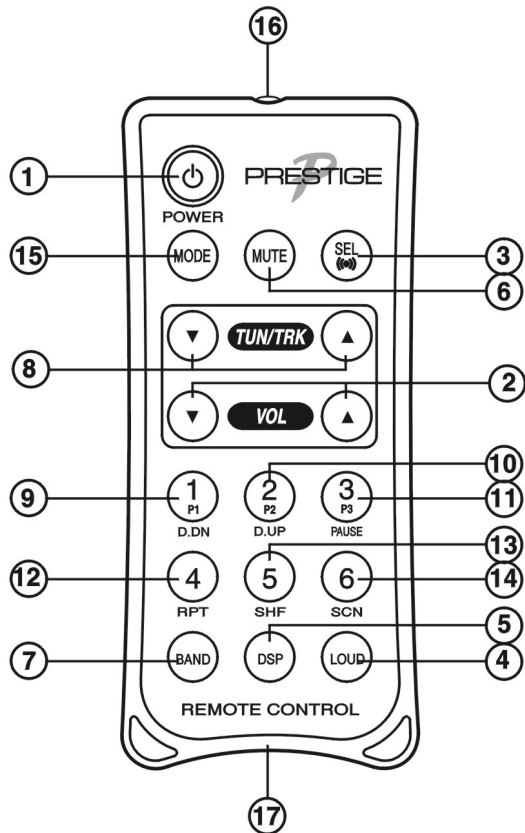
㉔ FRONT PANEL RELEASE BUTTON

Pressing this button will cause the front panel to drop down to the lowered position so a disc may be loaded or ejected or so that the panel may be detached. To detach the front panel, press the button so that the panel is lowered and then grasp the middle of it and pull it off of the chassis. To re-attach the panel, position it straight onto the chassis and then press until the mechanism locks it into place.

NOTES ON USE OF FRONT PANEL

1. Make sure the front panel is right-side-up when attaching it to the chassis as it cannot be attached when up-side down.
2. Do not press very hard on the front panel when attaching it to the chassis. No more than light to moderate pressure should be needed.
3. When taking the front panel with you, please use the supplied carrying case to protect the panel from dirt and damage. Make sure there is no dust or dirt on the electrical terminals on the back of the panel as this could cause intermittent operation or other malfunctions.

WIRELESS REMOTE CONTROL OPERATION



The wireless remote control supplied with this model is capable of operating most of the features of the unit from a remote location. Each button on the remote control functions in the same way as the referenced button on the main unit. For optimal operation of the remote control, always aim it toward the Remote Sensor (28) on the front panel of the main unit.

- ① **ON-OFF POWER** - See Main Unit ①
- ② **VOLUME/LEVEL CONTROLS** - See Main Unit ②, ④, ⑤, ⑥, and ⑦ except press ▲ to increase level, press ▼ to decrease level
- ③ **SELECT BUTTON (SEL)** - See Main Unit ③, ④, ⑤, ⑥, and ⑦
- CONFIRMATION TONE SELECTOR** – See Main Unit ③
- ④ **LOUDNESS CONTOUR (LOUD)** - See Main Unit ⑧
- ⑤ **DIGITAL SOUND PROCESSER (DSP)** – See Main Unit ⑩
- ⑥ **AUDIO MUTE (M)** – See Main Unit ⑪
- ⑦ **AM/FM BAND SELECTOR** – See Main Unit ⑫

⑧ **MANUAL UP/DOWN TUNING** – See Main Unit ⑬ except press ▲ to increase frequency, press ▼ to decrease frequency.

AUTOMATIC SEEK TUNING – See Main Unit ⑬ except press ▲ to Seek upward, press ▼ to Seek downward.

CD TRACK SELECT – See Main Unit ⑳ and ㉕ except press ▲ to select a higher track number, press ▼ to select a lower track number.

CD CUE/REVIEW – See Main Unit ㉑ and ㉖ except press ▲ for Cue function, press ▼ for Review function.

⑨ **RADIO PRE-SET MEMORY 1** – See Main Unit ⑮

AUDIO SETTING MEMORY 1 (P1) - See Main Unit ⑨

DISC DOWN SELECT (D.DN) - See Main Unit ㉓

⑩ **RADIO PRE-SET MEMORY 2** – See Main Unit ⑮

AUDIO SETTING MEMORY 2 (P2) - See Main Unit ⑨

DISC UP SELECT (D.UP) - See Main Unit ㉔

⑪ **RADIO PRE-SET MEMORY 3** – See Main Unit ⑮

AUDIO SELECT MEMORY 3 (P3) - See Main Unit ⑨

CD PAUSE - See Main Unit ㉒ and ㉗

⑫ **RADIO PRE-SET MEMORY 4** - See Main Unit ⑮

TRACK/DISC REPEAT (RPT) – See Main Unit ㉚ and ㉘

⑬ **RADIO PRE-SET MEMORY 5** – See Main Unit ⑮

TRACK/DISC SHUFFLE (SHF) – See Main Unit ㉜ and ㉙

⑭ **RADIO PRE-SET MEMORY 6** – See Main Unit ⑮

TRACK/DISC SCAN (SCN) – See Main Unit ㉝ and ㉚

⑮ **MODE SELECTOR (MOD)** - See Main Unit ⑱ and ㉛

⑯ **INFRARED SENDER**

⑰ **BATTERY COMPARTMENT**

NOTES ON REMOTE CONTROL USE

1. The remote control operates on a 3-volt lithium battery (type CR-2025). Install the battery into the compartment at the bottom of the remote control, making sure to observe correct polarity as shown in the diagram on the back of the control.
2. If the remote control fails to operate, always check battery condition and replace if necessary before servicing the unit.
3. Dispose of used batteries properly. Do not heat, disassemble, or throw used batteries into a fire.
4. Keep the remote control away from areas where it may be exposed to direct heat, moisture, or sunlight.

SETTING THE CLOCK

1. Turn the vehicle ignition and radio "on".
2. Press and hold the Time/Frequency Selector button ⑳ approximately 2 seconds until the time display begins flashing on the display panel.
3. Within 5 seconds after the time display begins flashing, press the Manual Tuning button ⑬ downward to adjust the hours or upward to adjust the minutes to the correct time.
4. Five seconds after the last hour or minute adjustment is made, the time will be set in the unit and normal operation can resume.

FREQUENCY STEP SWITCH

This unit is supplied pre-set at the factory for reception of North American radio stations (10 kHz. channel spacing on AM/200 kHz. spacing on FM). Use in other areas in the world may require different channel spacing. A switch on the bottom of the chassis allows selection of 9 kHz. AM/100 kHz. FM channel spacing. Slide the switch to the appropriate position using a small screwdriver blade. The Re-Set button ㉑ on the front of the chassis must then be pressed to activate the change of channel spacing.

CD PLAYER ERROR CODES

If a problem should develop while operating the CD player, the following error codes may appear on the display panel.

ER-1: Indicates an error in the microprocessor control of the CD player. Eject the disc, make sure it is clean, undamaged, and loaded correctly (label side up). Re-load the disc and check for proper operation or try another disc. You may also try activating the Re-Set button ㉑ on the unit, but this will also erase the time and pre-set memories.

ER-2: Indicates a mechanism error or that the disc is not loading or ejecting properly. Try re-loading or pressing the Eject button again.

ER-3: Indicates excessive temperature conditions. CD play will resume when the temperature returns to the normal range.

If the suggested measures do not solve the problem, contact an approved warranty station near you for further assistance.

CD CHANGER CONTROLS

Built into this radio are controls to operate an optional CD changer. Please check with your Prestige car stereo specialist for recommendations of the models that will work with this radio.

Adjustment of the audio functions (volume, tone, balance, and fader) for the CD changer operate in the same manner as they do for radio play. The following controls will operate the CD changer when it is installed and connected to this radio. Refer to the owner's manual included with the CD changer for instructions on the installation and correct loading and use of the CD magazine.

③② CD CHANGER MODE SELECTOR (CD)

During radio, CD, or AUX input play, press this button to select operation of the CD changer as shown by "CDC" on the display panel. Play will be indicated by the rotating disc symbol and the disc and track numbers on the display panel. If a new magazine has been loaded into the changer, play will begin from the first track of the first disc in the magazine. If a magazine was already in the changer, play will resume from the track on the disc previously in play.

③③ & ③④ DISC SELECT (D.DN & D.UP)

These buttons are used to select the desired disc for play. To advance to a higher number disc, press the D.UP button ③④. To return to a lower number disc, press the D.DN button ③③. The number of the disc in play will be shown on the display panel.

③⑤ TRACK SELECT (▼/▲)


This button is used to quickly select the beginning of a particular track. With each momentary upward tap of the button, the next higher track number will be selected as shown on the display panel. Similarly, with each momentary downward tap of the button, the next lower track number will be selected.

③⑥ CUE/REVIEW FUNCTIONS

High-speed audible search to any section of the disc can be made by the Cue and Review functions. Press and hold the button upward to advance rapidly in the forward direction or downward to advance rapidly in the backward direction. During either function, the elapsed time within each track will automatically be shown on the display panel.

When the Cue function is held until the end of the last track is reached or the Review function is held until the beginning of the first track is reached, the Cue or Review function will stop and the "PAUS" indication will appear until the button is released.

③⑦ PAUSE/PLAY SELECTOR (PAUSE)

During disc play, press this button to temporarily stop play of the disc (the  indication will flash and "PAUS" will appear on the display panel). Press the button again to resume play of the disc from the point at which it was stopped. Pause mode will also be canceled by activating any other disc function.

③⑧ TRACK/DISC REPEAT (RPT)

When the Repeat button is pressed, the **REPEAT** indication will appear on the display panel and play of the selected track will be continually repeated until the Track Repeat mode is canceled by pressing the Repeat button again or by activating the Shuffle ③⑨ or Scan ④① functions.

When the Repeat button is pressed and held longer than 2 seconds, the **DISC** and **REPEAT** indications will appear on the display panel and play of the selected disc will be continually repeated until the Disc Repeat mode is canceled by pressing the Repeat button again or by activating the Shuffle ③⑨ or Scan ④① functions.

③⑨ TRACK/DISC SHUFFLE (SHF)

When the Shuffle button is pressed, the **SHUFFLE** indication will appear on the display panel and the tracks on the disc will be played in a random, shuffled order. The Track Select button ③⑤ will also select tracks in the shuffled order instead of the normal progression. The Track Shuffle mode can be canceled by pressing the Shuffle button again or by activating the Repeat ③⑧ or Scan ④① functions.

When the Shuffle button is pressed and held longer than 2 seconds, the **DISC** and **SHUFFLE** indications will appear on the display panel and the discs in the magazine will be played in a random, shuffled order, as well as the tracks on each disc. When all tracks on the selected disc have been played, the next disc will be selected in shuffled order and its tracks will be played in shuffled order. The Disc Shuffle mode can be canceled by pressing the Shuffle button again or by activating the Repeat ③⑧ or Scan ④① functions.

④① TRACK/DISC SCAN (SCN)

When the Scan button is pressed, the **SCAN** indication will appear on the display panel, and the first 10 seconds of each track on the disc will be played in order. When a desired track is reached, press the Scan button again and play of the selected track will continue (**SCAN** will disappear from the display panel). The Track Scan mode will also be canceled by activating any other disc function (Select, Cue/Review, Shuffle or Repeat).

When the Scan button is pressed and held longer than 2 seconds, the **DISC** and **SCAN** indications will appear on the display panel and the first 10 seconds of the first track on each disc in the magazine will be played. When a desired disc is reached, press the Scan button again and play of the selected disc will continue (**DISC** and **SCAN** will disappear from the display panel). The Disc Scan mode will also be canceled by activating any other disc function (Select, Cue/Review, Shuffle or Repeat).

CD CHANGER ERROR CODES

If a problem should develop while operating the CD changer, the following error codes may appear on the display panel.

EJEC: Indicates that there is no magazine loaded in the CD changer.

ER-1: Indicates an error in the microprocessor control of the CD changer. Eject the CD magazine from the changer and make sure the discs are clean, undamaged, and loaded correctly (see Owner's Manual of the CD changer). Re-load the magazine and check for proper operation. You may also try activating the Re-Set button ③⑩ on the unit, but this will also erase the time and pre-set memories.

ER-2: Indicates a CD changer mechanism error. Try ejecting and re-loading the CD magazine into the changer.

ER-3: Indicates excessive temperature conditions at the CD changer. The error sign will go off and play will resume when the temperature at the changer returns to a normal range.

If the suggested measures do not solve the problem, contact an approved warranty station near you for further assistance.

SPECIFICATIONS

Size:	7" W x 2" H x 6 5/8" D 178mm x 50mm x 167mm
Operating Voltage:	12 volts DC, negative ground
Fuse Ratings:	Constant: 10Amp., Switched: 1Amp., Dimmer: 0.5Amp.
Output Power:	160 watts maximum (40 watts x 4 channels)
Output Wiring:	Floating-ground type designed for 4 speaker use. The amplifiers in this unit are <u>NOT</u> designed for use with 2 speakers. RCA low-level outputs (front and rear channels)
Output Impedance:	Compatible with 4-8 ohm speakers
Low-Level Output:	2.0 volts (2,000 mv.)
Tuning Range:	AM: 530 - 1,720 KHz. (10 KHz. step) 522 - 1,602 KHz. (9 KHz. step) FM: 87.5 - 107.9 MHz. (200 KHz. step) 87.5 - 108.0 MHz. (100 KHz. step)
Sensitivity:	AM: 20 uv FM: 1.5 uv
FM Stereo Separation:	30 dB
CD Frequency Response:	20-20,000 Hz. \pm 1 dB
CD Signal/Noise Ratio:	70 dB
CD Channel Separation:	60 dB
CD Distortion:	0.2%

*Specifications are subject to change without notice.

CARE AND MAINTENANCE

The radio section of your new sound system does not require any maintenance. We recommend you keep this manual for reference on the many features found in this unit as well as how to set the clock.

The compact disc player section also requires no routine maintenance, but proper understanding of its use and handling will help you obtain maximum enjoyment of its capabilities. The following points should be observed:

- When cleaning the interior of the vehicle, do not get water or cleaning fluids on the unit.
- The CD player is a precision instrument and will not operate properly in extreme hot or cold. In case of such conditions, wait until the interior temperature of the vehicle reaches a normal temperature before using the player.
- If the temperature inside the player gets too hot, a protective circuit will automatically stop play of the disc. In this case, allow the unit to cool off before operating the player again.
- Never insert anything other than a 5" (12 cm) compact disc into the player as the mechanism can be damaged by foreign objects.
- Do not attempt to use 3" (8 cm) CD-Single discs in this unit, either with or without an adaptor, as damage to the player and/or disc may occur. Such damage will not be covered by the Warranty on this product.
- When not using the disc player, always remove the compact disc. Do not leave an ejected disc sitting in the disc slot as this can expose it to sunlight and other causes of damage.
- Do not attempt to open the unit chassis. There are no user


serviceable parts or adjustments inside.

- When the vehicle warms up during cold weather or under damp conditions, moisture may condense on the lens of the disc player. Should this occur, the player will not operate properly until the moisture has evaporated.
- The unit is designed with a vibration dampening CD mechanism to minimize interruption of disc play due to normal vibration in a moving vehicle. When driving on very rough roads, however, occasional sound skips may occur. This will not scratch or damage the disc and normal play will resume when the rough conditions cease.

HANDLING COMPACT DISCS

Dirt, dust, scratches, and warpage can cause skips in the playback and deterioration of sound quality. Please follow these guidelines to take care of your compact discs:



- Use only compact discs with the mark .
- Fingerprints, dust, and dirt should be carefully wiped off the disc's playing surface (shiny side) with a soft cloth. Wipe in a straight motion from the inside to the outside of the disc.
- Never use chemicals such as record sprays, household cleaners or thinner to clean compact discs. Such chemicals can irreparably damage the disc's surface.
- Discs should be kept in their storage cases when not in use.
- Do not expose discs to direct sunlight, high temperatures or high humidity for extended periods.
- Do not stick paper, tape, or labels on the disc surfaces nor write on them with any type of marker.



12 / 24 MONTH LIMITED WARRANTY

*Applies to automotive radios, radio/tape players, radio/CD players,
CD changers, power amplifiers, equalizers and accessories.*

AUDIOVOX CORPORATION (the Company) warrants to the original retail purchaser of this product that should this product or any part thereof, under normal use and conditions, be proven defective in material or workmanship within 12 months from the date of original purchase, such defect(s) will be repaired or replaced with new or reconditioned product (at the Company's option) without charge for parts and repair labor.

To obtain repair or replacement within the terms of this Warranty, the product is to be delivered with proof of warranty coverage (e.g. dated bill of sale), specification of defect(s), transportation prepaid, to an approved warranty station or the Company at the address shown below.

The warranty period will be extended to 24 months from the date of original purchase if the product is installed by an authorized Prestige Audio dealer. To claim warranty service during this extended period, the bill of sale must specify that the product was installed by an authorized Prestige Audio dealer.

This Warranty does not extend to the elimination of externally generated static or noise, to correction of antenna problems, to costs incurred for installation, removal or reinstallation of the product, or to damage to tapes, compact discs, speakers, accessories, or vehicle electrical systems.

This Warranty does not apply to any product or part thereof which, in the opinion of the Company, has suffered or been damaged through alteration, improper installation, mishandling, misuse, neglect, accident, or by removal or defacement of the factory serial number/bar code label(s). THE EXTENT OF THE COMPANY'S LIABILITY UNDER THIS WARRANTY IS LIMITED TO THE REPAIR OR REPLACEMENT PROVIDED ABOVE AND, IN NO EVENT, SHALL THE COMPANY'S LIABILITY EXCEED THE PURCHASE PRICE PAID BY PURCHASER FOR THE PRODUCT.

This Warranty is in lieu of all other express warranties or liabilities. ANY IMPLIED WARRANTIES, INCLUDING ANY IMPLIED WARRANTY OF MERCHANTABILITY, SHALL BE LIMITED TO THE DURATION OF THIS WRITTEN WARRANTY. ANY ACTION FOR BREACH OF ANY WARRANTY HEREUNDER INCLUDING ANY IMPLIED WARRANTY OF MERCHANTABILITY MUST BE BROUGHT WITHIN A PERIOD OF 30 MONTHS FROM DATE OF ORIGINAL PURCHASE. IN NO CASE SHALL THE COMPANY BE LIABLE FOR ANY CONSEQUENTIAL OR INCIDENTAL DAMAGES FOR BREACH OF THIS OR ANY OTHER WARRANTY, EXPRESS OR IMPLIED, WHATSOEVER. No person or representative is authorized to assume for the Company any liability other than expressed herein in connection with the sale of this product.

Some states do not allow limitations on how long an implied warranty lasts or the exclusion or limitation of incidental or consequential damage so the above limitations or exclusions may not apply to you. This Warranty gives you specific legal rights and you may also have other rights which vary from state to state.

U.S.A. : AUDIOVOX CORPORATION, 150 MARCUS BLVD., HAUPPAUGE, NEW YORK 11788 • 1-800-645-4994

CANADA : CALL 1-800-645-4994 FOR LOCATION OF WARRANTY STATION SERVING YOUR AREA

128-5543

© 1999 Audiovox Corporation, Hauppauge, N.Y. 11788

Printed in China

128-5431B

Free Manuals Download Website

<http://myh66.com>

<http://usermanuals.us>

<http://www.somanuals.com>

<http://www.4manuals.cc>

<http://www.manual-lib.com>

<http://www.404manual.com>

<http://www.luxmanual.com>

<http://aubethermostatmanual.com>

Golf course search by state

<http://golfingnear.com>

Email search by domain

<http://emailbydomain.com>

Auto manuals search

<http://auto.somanuals.com>

TV manuals search

<http://tv.somanuals.com>