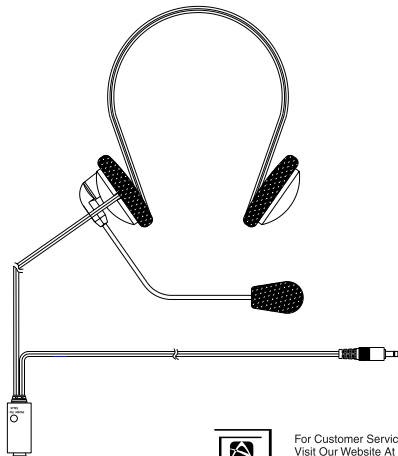




Owner's Manual

Model FRS-WP1 Two Way Family Radio with Headset and Boom Microphone



For Customer Service
Visit Our Website At
www.audiovox.com
Product Information, Photos,
FAQ's, Owner's Manuals

Customer Service
1-800-290-6650

■ FEATURES

Your FRS-WP1 Family Radio is a portable, easy to use, two-way radio that you can carry almost anywhere. It is skillfully constructed to give you reliable communications and FM radio listening enjoyment. It is intended for use with the supplied headset assembly with PTT switch. When used in this manner, the FRS-WP1 is ideal for hands-free use around the house, in your boat, on hunting and camping trips, on the ski slopes or at the mall. Some of the FRS-WP1 features are:

- No Air Time Fees and No License Required
- Up to 2 Mile Range
- Carry-Clip for Hands-Free Operation
- 14 Channels
- FM Radio Receiver
- VOX Capability with Two Sensitivity Settings
- LCD Display
- Call/Ring Button

■ PERFORMANCE

Your transceiver will achieve its maximum operating range when communicating with other transceivers in a flat open area with no trees or buildings obstructing its signal. Range may be up to two miles under such conditions. Obstacles such as buildings, trees or mountains will tend to reduce the transceiver's effective range.

FCC WARNING

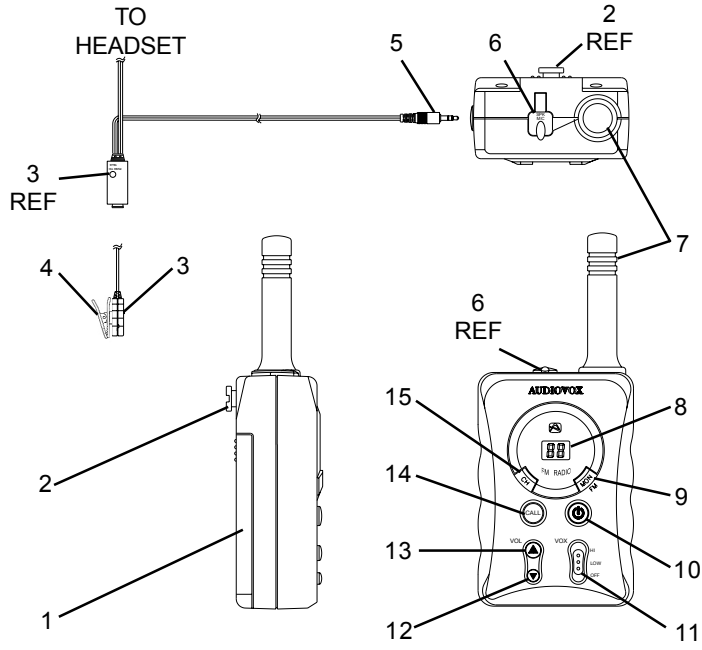
Replacement or substitution of transistors, diodes or other parts of a unique nature, with parts other than those recommended by the manufacturer, may cause a violation of the technical regulations of Part 15 of FCC Rules.

SAFETY INFORMATION

Your wireless portable transceiver contains a low power transmitter. When the headset PTT button is pushed, or the VOX mode is in effect, it sends out radio frequency (RF) signals. The device is authorized to operate at a duty factor not to exceed 50%. In August 1996, the Federal Communications Commission (FCC) adopted RF exposure guidelines with safety levels for hand-held wireless devices.

Important: To maintain compliance with the FCC's RF exposure guidelines, use the Audiovox supplied carry clip for belt attachment to ensure that the antenna is at least 1 inch (2.5 centimeters) from your body when transmitting. If you choose to hold the unit, maintain the same antenna distance from your body as indicated above. Unauthorized antennas, modifications, or attachments could damage the transmitter and may violate FCC regulations.

FUNCTION AND LOCATION OF THE CONTROLS



1. **Battery Compartment Cover:** Four (4) AAA batteries accessible when cover is removed.
2. **Carry Clip Stud:** Attaches to carry clip.
3. **Headset PTT Switch:** With unit VOX switch set to OFF, press to transmit; release to receive.

4. **Lapel/Clothes Clip:** Attaches headset PTT switch to convenient area.
5. **Headset Microphone/Speaker Plug:** Connects headset assembly to SPK/MIC jack on radio.
6. **Headset SPK/MIC (CHG) Jack:** For use with the supplied Audiovox headset assembly; accepts headset connector plug (5). Also accepts wall charger (sold separately) DC input for battery charging.
7. **Antenna**
8. **LCD Display:** Displays the current FRS channel number as well as various control function indications.
9. **Monitor/FM (MON/FM) Button:** Momentarily press to bypass the squelch and listen to channel activity. Press and hold to access the FM radio mode.
10. **Power Button (⏻):** Press and hold this button for 2 seconds to turn the transceiver on or off.
11. **VOX HI/LOW/OFF Switch:** Enables VOX mode in the **HI** or **LOW** sensitivity position.
12. **Down Button (▼):** Press this button to decrease the volume or channel setting.
13. **Up Button (▲):** Press this button to increase the volume or channel setting.
14. **Call Button (CALL):** Momentarily press this button to send a ringing sound to other radios tuned to the same channel.
15. **Channel (CH) Button:** Press this button to access the FRS channel select function. Press this button to access the FM radio search (SE) function when the FM radio mode is active.

■ POWERING THE TRANSCEIVER

Your FRS-WP1 radio transceiver operates on four AAA batteries. Alkaline batteries will provide slightly better performance than rechargeable batteries and will ensure optimum performance for the FRS-WP1.

Batteries

There are three methods of powering the FRS-WP1:

1. Alkaline Batteries.

WARNING: Do not attempt to recharge Alkaline batteries.

2. Audiovox Rechargeable Ni-MH Batteries - (Rechargeable NiMH batteries (P/N FRSRBAT) and Charging Adapter (Model No. YKA3515-08010) sold separately.) Use only Audiovox approved rechargeable batteries and charger when charging batteries internal to the unit. For additional optional equipment and accessories for the FRS-WP1, visit the Audiovox web site at www.audiovox.com, or call Customer Service at **1-800-290-6650**

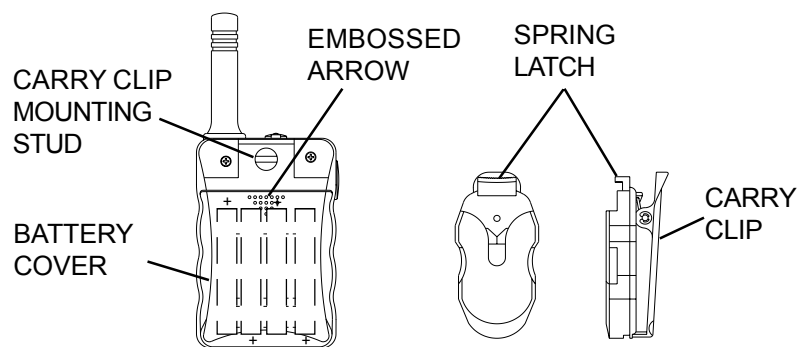
NOTE: To extend battery life, avoid overcharging the batteries.

3. Various Brands of Rechargeable Batteries - Use of the supplied Audiovox charger with other brands of rechargeable batteries is not recommended, as battery charging times will vary with different brands of batteries. Refer to the manufacturer's instructions for charging other brands of batteries.

Installing the Batteries:

Battery installation is made more convenient when the carry clip is removed. To do this, release the spring latch securing the clip to radio and slide the clip downward and away from the mounting stud.

■ BATTERY INSTALLATION



Your FRS-WP1 requires four “AAA” cells. Alkaline batteries will provide the best performance from your transceiver.

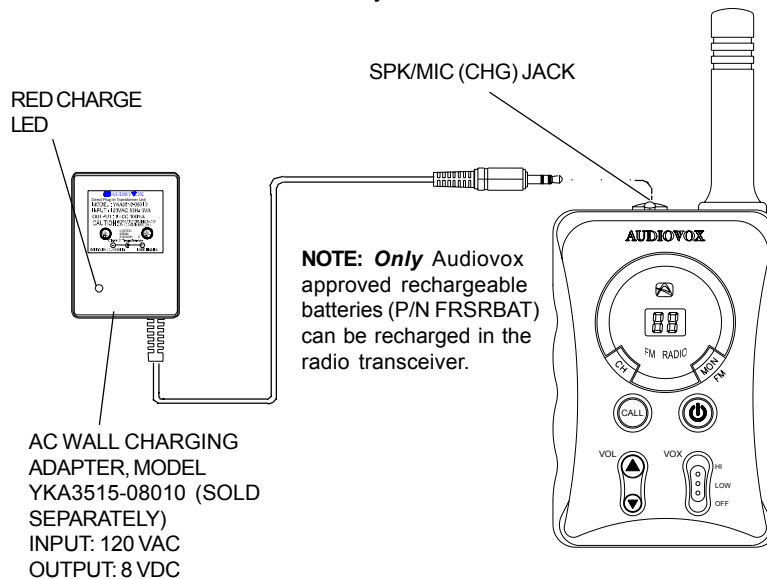
CAUTION: ■ Incorrect battery installation can damage the unit.
■ Never attempt to charge alkaline batteries.

1. Press down on the spring latch securing the clip to radio and slide the clip downward and away from the mounting stud.
2. At battery cover, press downward with thumb on embossed arrow and slide battery cover down and off the radio.
3. Insert four “AAA” batteries. Position batteries according to polarity markings. Reverse the procedure outlined in steps 1 and 2 to reassemble.

NOTE: Make sure the battery + and - terminals are aligned as shown.

The following guidelines will improve performance and provide longer operating times for the FRS-WP1:

1. Do not mix old and new batteries.
2. The use of alkaline-type batteries is recommended to provide the longest operating time.
3. Do not mix alkaline, standard (carbon-zinc) or rechargeable batteries.
4. If the unit is not to be used for an extended period of time, remove the batteries. Old or leaking batteries can cause damage to the unit and will void the warranty.



■ USING YOUR FRS-WP1

Turning the Transceiver On and Off (⏻)

Pressing the Power button (10) for 2 seconds will activate the unit and the self-test display momentarily appears followed by the frequency standby display. The headphones will sound a short melody to confirm the transceiver's activation and the LCD backlight will come on for about 2 seconds. To turn the unit off, simply press and hold the power button for 2 seconds then release it; a short tone will be heard as the unit powers off.

Volume Level

Audio reception volume is controlled by the Up (13) and the Down (12) channel/volume buttons. Momentarily pressing either button will increase or decrease the volume level, with each step accompanied by a beep tone whose volume increases or decreases accordingly. The display will indicate **U1** (lowest setting) to **U7** (highest setting).

Call Button (14)

When the call button is pressed, the FRS-WP1 will transmit a 3-second ringing sound to other transceiver's tuned to the same channel. This feature can be used to signal other parties that voice communication is desired. The LCD backlight comes on for about 3 seconds, indicating the call transmission has been initiated.

Low Battery Alert

When the battery level becomes low, the LCD channel display will flash at a 1-second rate, indicating that the batteries should be changed.

Monitor/FM (MON/FM) Button (9)

You can monitor channel activity by momentarily pressing the Monitor (MON) button (9). If pressed for more than 2 seconds, the FM function is accessed, whereby **Fr** appears momentarily on the display. You can now use the CH button (15) to search (**SE**) the FM band for a desired station.

■ FUNCTIONS

Channel Selection

Momentarily press the CH button so the two-digit channel display flashes. Press the VOL Up (▲) or Down (▼) button to select the desired channel (01–14).

VOX Function

This feature enables you to have hands-free conversation. To enter the VOX mode:

1. With the headset plugged into the SPK/MIC jack on the radio, from the FRS standby mode, position the VOX switch to the HI or LOW position from the OFF position.
2. When using the headset microphone, your voice signal is detected and is automatically transmitted by the radio; the LCD backlight comes on while VOX transmission occurs and goes off 3 seconds after the last voice transmission. The reply audio is received by the radio and is transferred to the headset.

VOX Sensitivity Level

The VOX sensitivity level can be set to the high or low position on the radio. A HI VOX sensitivity is the most sensitive, and should be used in a relatively quiet surrounding. A LOW sensitivity is the least sensitive and should be used in a noisy surrounding.

Using the Monitor (MON) Button

To listen to channel activity with the squelch bypassed:

1. With the radio in the FRS standby mode, momentarily press the MON button; the radio will enter the monitor receive mode as indicated by the background noise.
2. To exit the monitor mode, momentarily press the MON button again; the radio will return to the FRS standby mode.

FM Radio Selection

To access the FM mode:

1. With the radio in the FRS standby mode, press and hold the MON button; the FM radio (**Fr**) indication appears on the display for 5 seconds and then returns to the FRS channel number display.

NOTE: Even though the FM radio mode is active, you can still transmit and receive the FRS signal. To inhibit the FRS receive signal mode, press and hold the Channel (CH) button; **FR** appears on the display. To exit this function, press and hold the CH button again.

2. Now press the Channel (CH) button once; Searching (**SE**) appears on the display, indicating the radio is searching for a strong FM station.
3. When a station is located, it will be heard in the headset; the display will then automatically revert to the FRS channel number.

NOTE: If no FM station is acquired after several seconds, repeat step 2 to initiate another FM station search.

4. To exit the FM mode, press and hold the MON button for at least 2 seconds; a melody will sound, and the radio will revert to the FRS standby mode.

Button Confirmation Tone

Whenever the VOL/Channel Up/Down or MON/FM buttons are pressed, the speaker will sound a beep tone to confirm each press. In addition, when the Channel (CH) button is pressed, a confirming tone melody sounds.

To Transmit:

1. Set the desired primary channel.
2. Press and hold the headset Push-to-Talk (PTT) button while speaking slowly and clearly in a normal voice into the headset microphone.
3. The LCD backlight will come on while transmitting.
4. Release the PTT button when you finish speaking to receive incoming signals.

To Receive:

1. Set the desired channel.
2. Adjust the volume control to the desired listening volume by using the up and down buttons.
3. The transceiver will play strong received signals through through the headset.

Monitor Function:

The Monitor (**MON**) button can be used to play all signals present on a channel. This is useful when communicating with other parties at extreme range. The monitor function is accessed when the MON button is momentarily pressed.

■ WARNING

- Remove the batteries from the transceiver if it is not expected to be used for long periods. This will eliminate the possibility of battery acid leaking from the batteries and corroding the transceiver.
- Avoid exposing the unit to water or extremes of temperature.
- Do not use this device in or near a mining facility, which uses remotely triggered explosives or in areas labeled "Blasting Area". Premature or accidental detonation may result.
- Do not attempt to modify or in any way increase the output of this transceiver. Its output is designed to meet the legal limits set by the FCC.
- Do not use this device or change its batteries in potentially explosive atmospheres as sparks in such areas could result in an explosion.
- Turn your transceiver off wherever posted notices restrict the use of radios or cellular telephones. Facilities such as hospitals may use equipment that is sensitive to RF energy.
- Turn your transceiver off on-board aircraft when requested to do so.
- Do not place your transceiver in front of a vehicle's air-bag. If the air bag deploys, it could propel the transceiver like a projectile.
- This transceiver complies with FCC regulations for use in the United States. Use in other countries may be prohibited or restricted by local regulation. Please check with the local regulating agency before using this device outside of the United States.

■ SPECIFICATIONS*

Channels:	14
Battery Life:	(5%: Rx, 5%:Tx, 90% Standby)
Alkaline	30 - 36 Hours
Power Source	6.0 Vdc
Receiver:	
1. Sensitivity	-120dBm Min.
2. Max. audio output @ 10% THD	110 mV
3. Max. S/N ratio @ 1mV RF input	40 dB Min.
4. Squelch Sensitivity Threshold	-120 dBm Min.
5. Adjacent Channel Selectivity	50 dB Min.
Transmitter:	
1. Maximum Effective Radiated Power	500 mW
2. Audio Distortion	3 %
3. Hum and Noise	35 dB Min.

* These specifications are subject to change without notice.
They represent typical values, individual units may vary.

Channel Frequencies:

Channel	MHz	Channel	MHz
1	462.5625	8	467.5625
2	462.5875	9	467.5875
3	462.6125	10	467.6125
4	462.6375	11	467.6375
5	462.6625	12	467.6625
6	462.6875	13	467.6875
7	462.7125	14	467.7125

FM Radio Frequencies:

Frequency Band: 87.5 MHz - 108 MHz

90 DAY LIMITED WARRANTY

Applies to Audiovox Family Radio Service Products.

AUDIOVOX CORPORATION (the Company) warrants to the original retail purchaser of this product that should this product or any part thereof, under normal use and conditions, be proven defective in material or workmanship within 90 days from the date of original purchase, such defect(s) will be repaired or replaced with new or reconditioned product (at the Company's option) without charge for parts and repair labor.

To obtain repair or replacement within the terms of this Warranty, the product is to be delivered with proof of warranty coverage (e.g. dated bill of sale), specification of defect(s), transportation prepaid, to the warranty center at the address shown below.

The Company disclaims liability for communications range of this product.

This Warranty does not apply to any product or part thereof which, in the opinion of the Company, has suffered or been damaged through alteration, improper installation, mishandling, misuse, neglect, accident, or by removal or defacement of the factory serial number/bar code label(s). THE EXTENT OF THE COMPANY'S LIABILITY UNDER THIS WARRANTY IS LIMITED TO THE REPAIR OR REPLACEMENT PROVIDED ABOVE AND, IN NO EVENT, SHALL THE COMPANY'S LIABILITY EXCEED THE PURCHASE PRICE PAID BY PURCHASER FOR THE PRODUCT.

This Warranty is in lieu of all other express warranties or liabilities. ANY IMPLIED WARRANTIES, INCLUDING ANY IMPLIED WARRANTY OF MERCHANTABILITY, SHALL BE LIMITED TO THE DURATION OF THIS WRITTEN WARRANTY. ANY ACTION FOR BREACH OF ANY WARRANTY HEREUNDER INCLUDING ANY IMPLIED WARRANTY OF MERCHANTABILITY MUST BE BROUGHT WITHIN A PERIOD OF 30 MONTHS FROM DATE OF ORIGINAL PURCHASE. IN NO CASE SHALL THE COMPANY BE LIABLE FOR ANY CONSEQUENTIAL OR INCIDENTAL DAMAGES FOR BREACH OF THIS OR ANY OTHER WARRANTY, EXPRESS OR IMPLIED, WHATSOEVER. No person or representative is authorized to assume for the Company any liability other than expressed herein in connection with the sale of this product.

AUDIOVOX CORPORATION, 150 MARCUS BLVD., HAUPPAUGE, NEW YORK 11788

1-800-290-6650

128-5329

Free Manuals Download Website

<http://myh66.com>

<http://usermanuals.us>

<http://www.somanuals.com>

<http://www.4manuals.cc>

<http://www.manual-lib.com>

<http://www.404manual.com>

<http://www.luxmanual.com>

<http://aubethermostatmanual.com>

Golf course search by state

<http://golfingnear.com>

Email search by domain

<http://emailbydomain.com>

Auto manuals search

<http://auto.somanuals.com>

TV manuals search

<http://tv.somanuals.com>