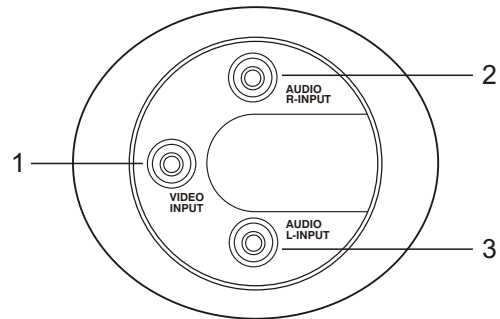


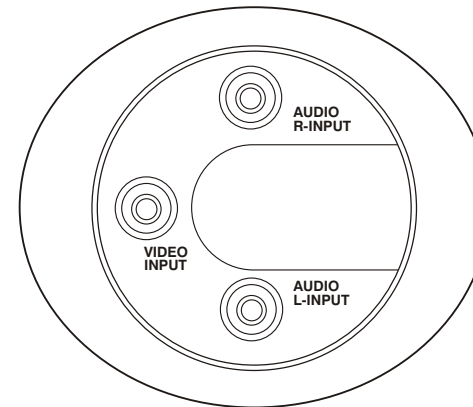
Description of GCS (Game Control Station)



- 1. Video Input**
 - To insert the video game player Video source into this jack for viewing the Video Game Source.
- 2. Audio L Input**
 - To insert the video game player Audio L source into this jack for listening the Video Game Source.
- 3. Audio R Input**
 - To insert the video game player Audio R source into this jack for listening the Video Game Source.



GCS Game Control Station

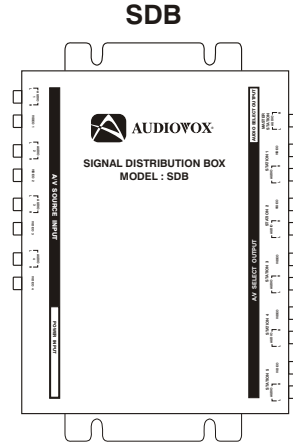
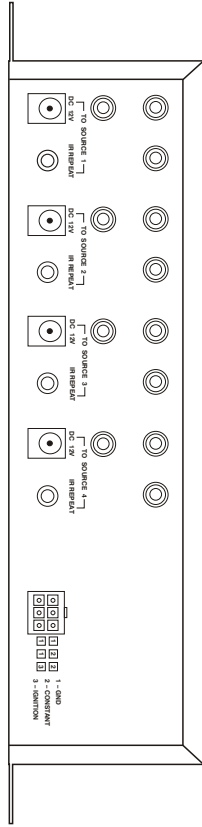
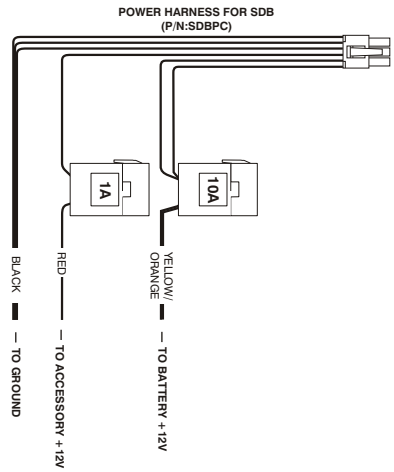
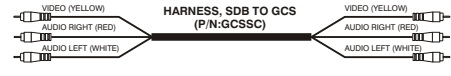
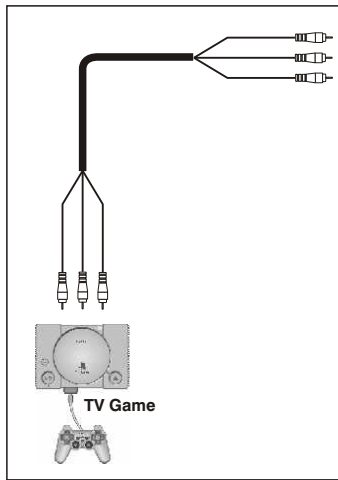


Owner's Manual

128-6056

Installation from SDB to GCS

OPTIONAL



Free Manuals Download Website

<http://myh66.com>

<http://usermanuals.us>

<http://www.somanuals.com>

<http://www.4manuals.cc>

<http://www.manual-lib.com>

<http://www.404manual.com>

<http://www.luxmanual.com>

<http://aubethermostatmanual.com>

Golf course search by state

<http://golfingnear.com>

Email search by domain

<http://emailbydomain.com>

Auto manuals search

<http://auto.somanuals.com>

TV manuals search

<http://tv.somanuals.com>