



## Compatibility

- Astoria Bay Pellet Insert
- Yankee Bay Pellet Insert

## Packing List

- ZC Can Rear Panel
- ZC Can Top/Side Panel
- ZC Can Rear Vent Shield
- (26) # 8 x 3/8" Type A Screws

## Overview

This kit allows an installer to build the above pellet heaters into the framing of a home.

## Installation Overview



The minimum framing dimensions and clearances listed in this instruction sheet must be maintained. Failure to follow all of the instructions in this instruction sheet, and in the manual, will void the listing and warranty of the pellet heater, and may create a serious fire hazard.



This kit is approved for use in a mobile home.

- 1 Determine the vent configuration (see “Vent Requirements” and “Vent Termination Requirements”)
- 2 Prepare the enclosure (see “Minimum Enclosure Dimensions”).
- 3 Install the floor protection and hearth (see “Minimum Floor Protection”).

### If venting to the rear (most common)

Place the 90° onto the insert starter collar and measure the height of the center of the vent. This will determine the center height of the wall thimble installed behind the insert in the wall. NOTE: The vent is located 7.5” left of center of the appliance. Install the thimble into the wall, making sure the 3” clearance to combustibles is met (refer the directions included with the thimble for additional details). Remove the starter collar from the pellet heater and install it onto the elbow (seal with silicone). Determine the correct length for the horizontal section of vent (the center of the starter collar is 11.25” behind the enclosure opening) and attach it to the elbow (seal with silicone). Place this flue section aside until after the zc can is installed. Then insert the flue section through the can and thimble. Once the insert is in place, attach the starter section to the insert (it is attached with a latch – make sure the gasket is correctly positioned). Attach the additional vent components to finalize the vent installation (termination, elbow, etc.).

### If venting upwards

When installing with vertical vent, the area above the insert must be accessible after the zc can and insert have been installed (note: the vent is located 11.25” behind the enclosure opening, 7.5” left of center). Remove the starter collar from the pellet heater and install it onto the vent (seal with silicone). Insert this vent through the zc can and attach the starter section to the insert (it is attached with a latch – make sure the gasket is correctly positioned). Attach the additional vent components to finalize the vent installation (additional vent lengths, elbows, terminations, etc.).

- 3 Construct and Install the ZC Can (see “ZC Can Construction and Placement”)
- 4 Prepare the insert in place it into the ZC Can (see “Insert Preparation and Placement”)



## Vent Requirements

- Must be 4" diameter Type "L" (except for masonry fireplace installations) - or - connect the vent to a factory built type "A" chimney. All vent joints (including adapters, elbows, etc...) must be sealed with 500° F. RTV silicone.
- Pellet vent must maintain a minimum 3" clearance to any combustibles (install vent at clearances specified by the vent manufacturer).
- Do not connect the pellet vent to a vent serving any other appliance or stove.
- The maximum venting distance is shown in the illustration to the right.
- Do not install a flue damper in the exhaust venting system of this unit.
- Use an approved wall thimble when passing the vent through walls and a ceiling support/fire stop spacer when passing the vent through ceilings (make sure to maintain 3" clearance to any combustibles).
- No more than 180° of elbows (two 90° elbows, one 90° and two 45° elbows, etc.).
- Pellet vent connections must be sealed airtight with 500° F. RTV silicone and screwed together with at least three sheet metal screws.



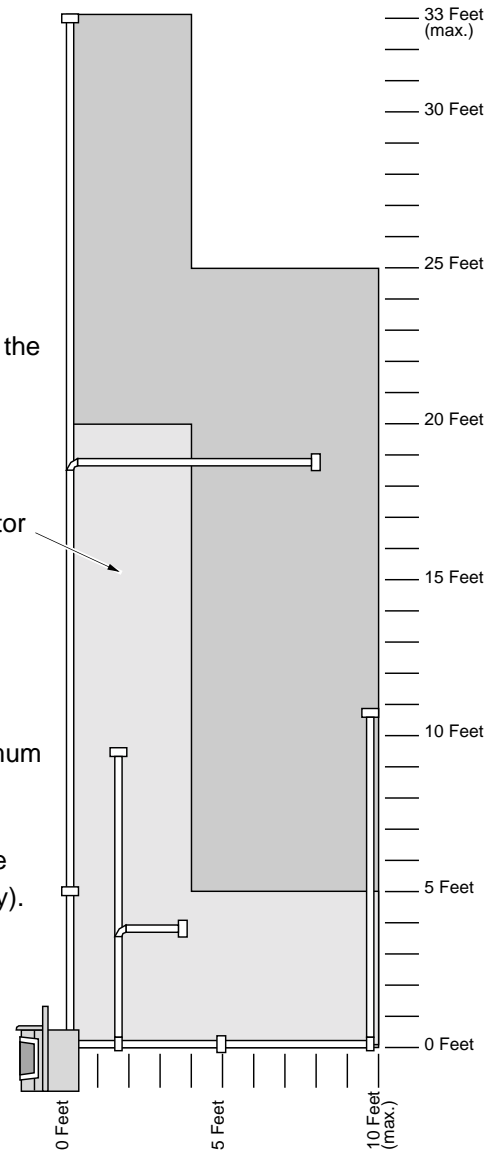
Seal each vent section (including adapters, elbows, etc...) by injecting a liberal amount of 500° F. RTV silicone into the gap between sections.

- Vent must have a support bracket every 5' of pellet vent when exterior of structure
- Horizontal sections must have a 1/4" rise every 12" of travel.

The vent height and run must not exceed the distance shown in the shaded region shown to the right.

Venting into this shaded area may require restrictor adjustments. See the section "Restrictor Adjustment" for details.

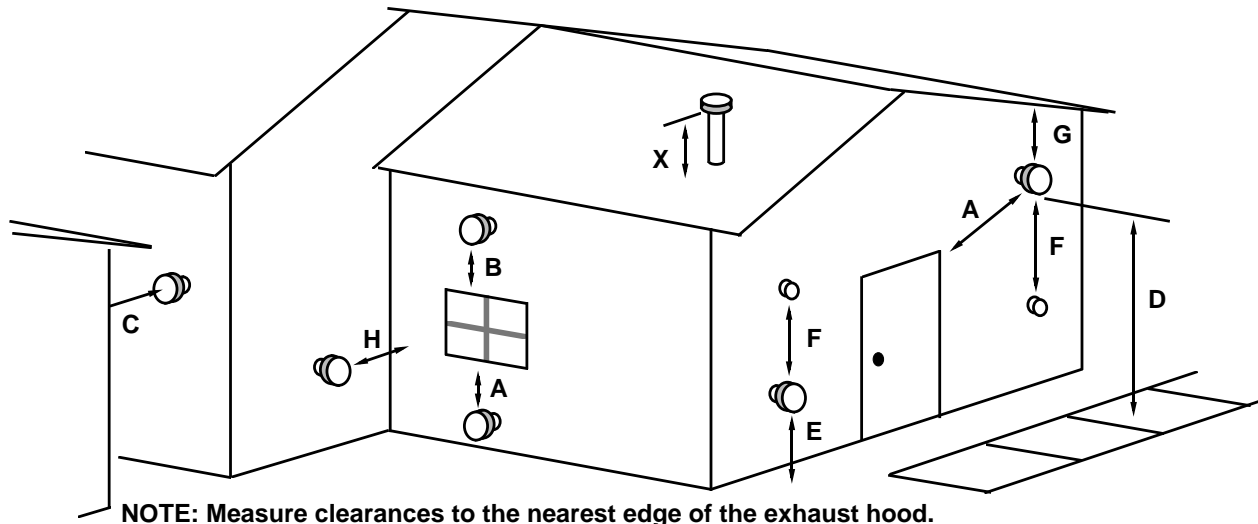
NOTE: To achieve optimum performance, we recommend keeping the vent as short as possible (horizontal run especially).





## Vent Termination Requirements (See the illustration below)

- Must have an approved cap (to prevent water from entering) or a 45° downturn.
- If the termination is located on a windy side of the house, an approved house shield is recommended to prevent soot from building up on the side of the house.
- Must not be located where it will become plugged by snow or other material.
- Horizontal terminations must protrude 12" from the wall, vertical terminations require 24".



- NOTE: Measure clearances to the nearest edge of the exhaust hood.**
- A Minimum 4' clearance below or beside any door or window that opens
  - B Minimum 1' clearance above any door or window that opens
  - C Minimum 2' clearance from any adjacent building
  - D Minimum 7' clearance above any grade when adjacent to public walkways
- NOTE: Vent may not terminate in covered walkway or breezeway.**
- E Minimum 2' clearance above any grass, plants, or other combustible materials
  - F Minimum 3' clearance from any forced air intake of any other appliance
  - G Minimum 2' clearance below eaves or overhangs
  - H Minimum 1' clearance horizontally from combustible wall
  - X Must be a minimum of 2' above the roof



# ZC Kit – Large Pellet Insert

(99200149)

## Minimum Enclosure Dimensions

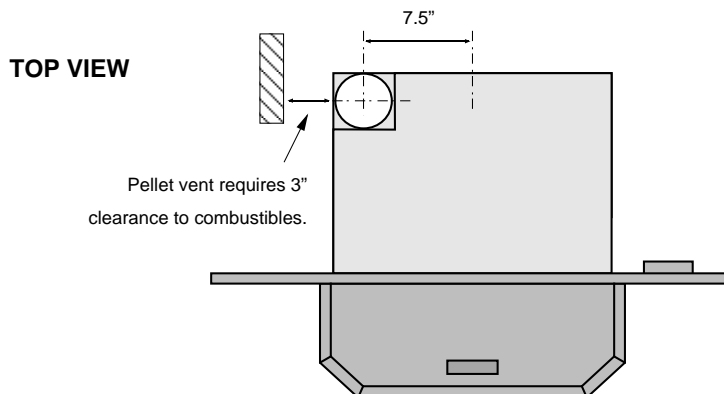
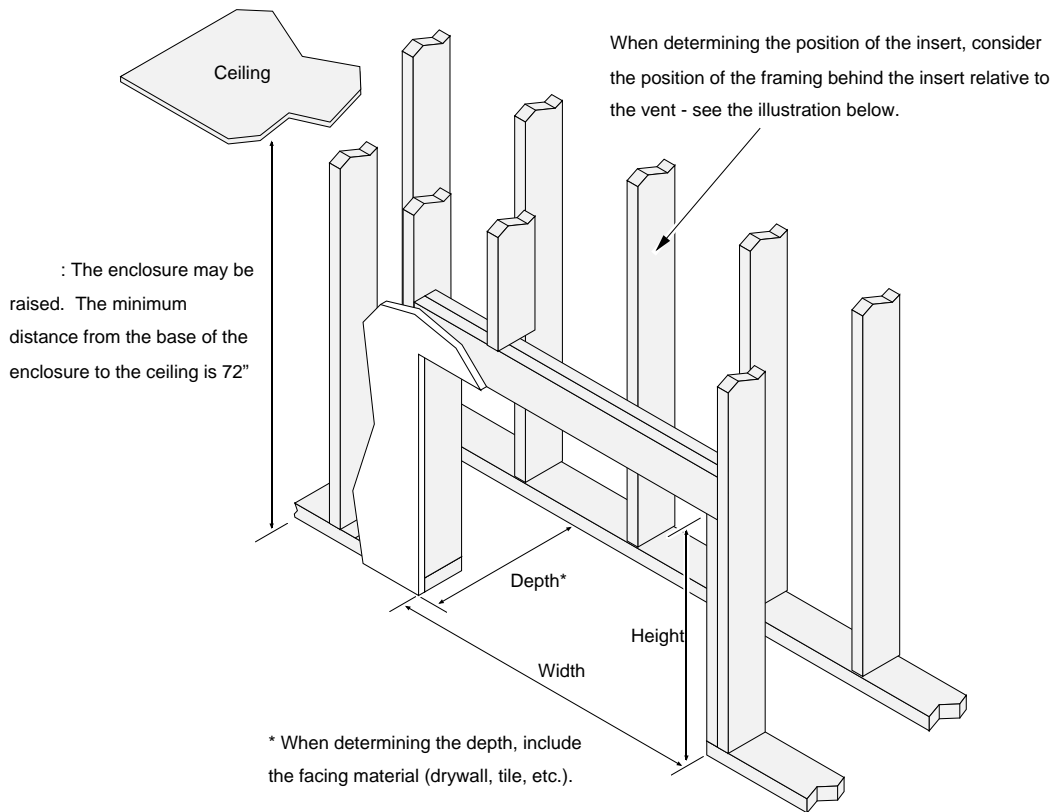
	Min.	Max.	Recommended
Height*	29"	31" **	30"
Width	36"	43" **	40"
Depth***	18"	22" ****	20"

\* The enclosure height must be raised the same amount as the floor protection (e.g. if you are using 1" floor protection, the min. height is 30" above the sub-floor).

\*\* The maximum height is determined by the surround panel size (the surround panels are 32" tall).

\*\*\* When determining depth, include the facing material (drywall, tile, etc.) – see the illustration below.

\*\*\*\* When venting vertically, there is no maximum depth.



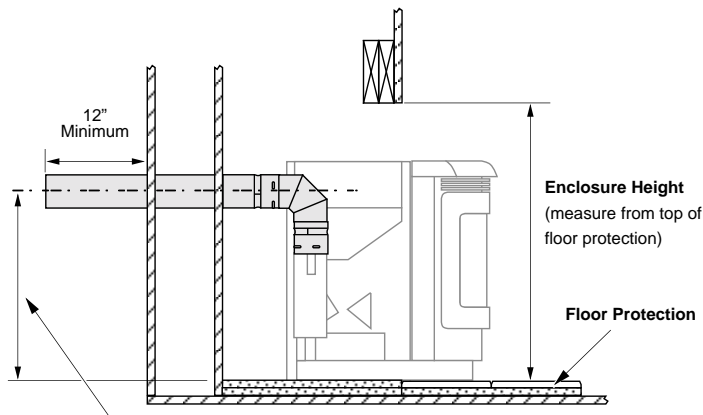
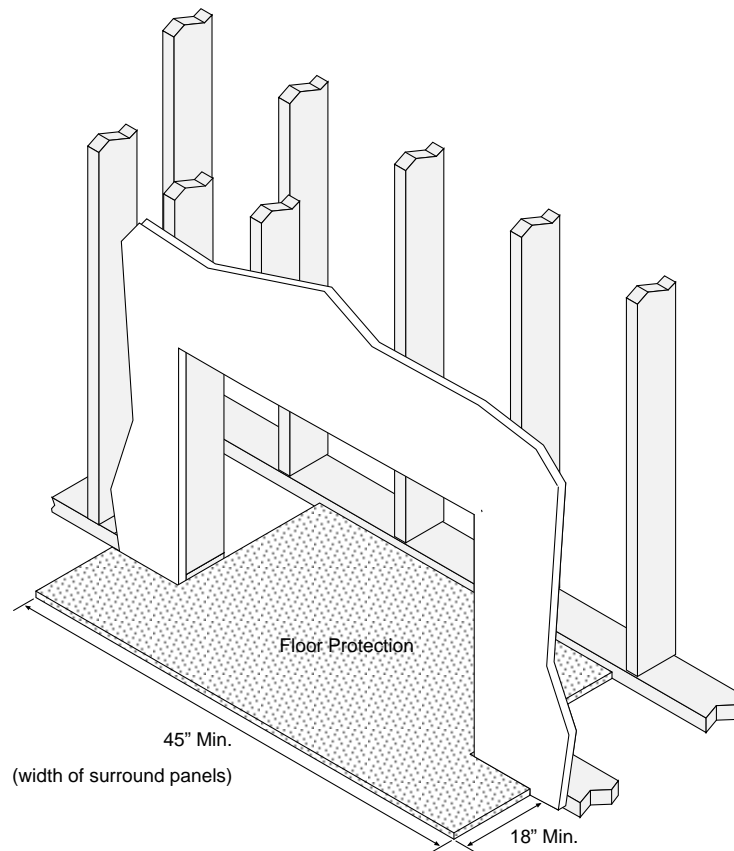


# ZC Kit – Large Pellet Insert

(99200149)

## Minimum Floor Protection

- The insert must be placed on a non-combustible floor protector (cement board, sheet metal, etc.) a minimum .018" thick (26 gauge). This floor protection must extend the full width and depth of the enclosure and must protrude 6" in front of the door opening (18" from the enclosure opening) and the full width of the surround panels (45" min. width).
- **HEARTH NOTE:** If you wish to install a hearth greater than 1/2" thick, you will need to raise the insert and enclosure height the equivalent amount. The leveling bolts may be used on the insert for adjustments.



Place the stove on top of the floor protection and measure the center of the flue. This will determine the location of the wall thimble.



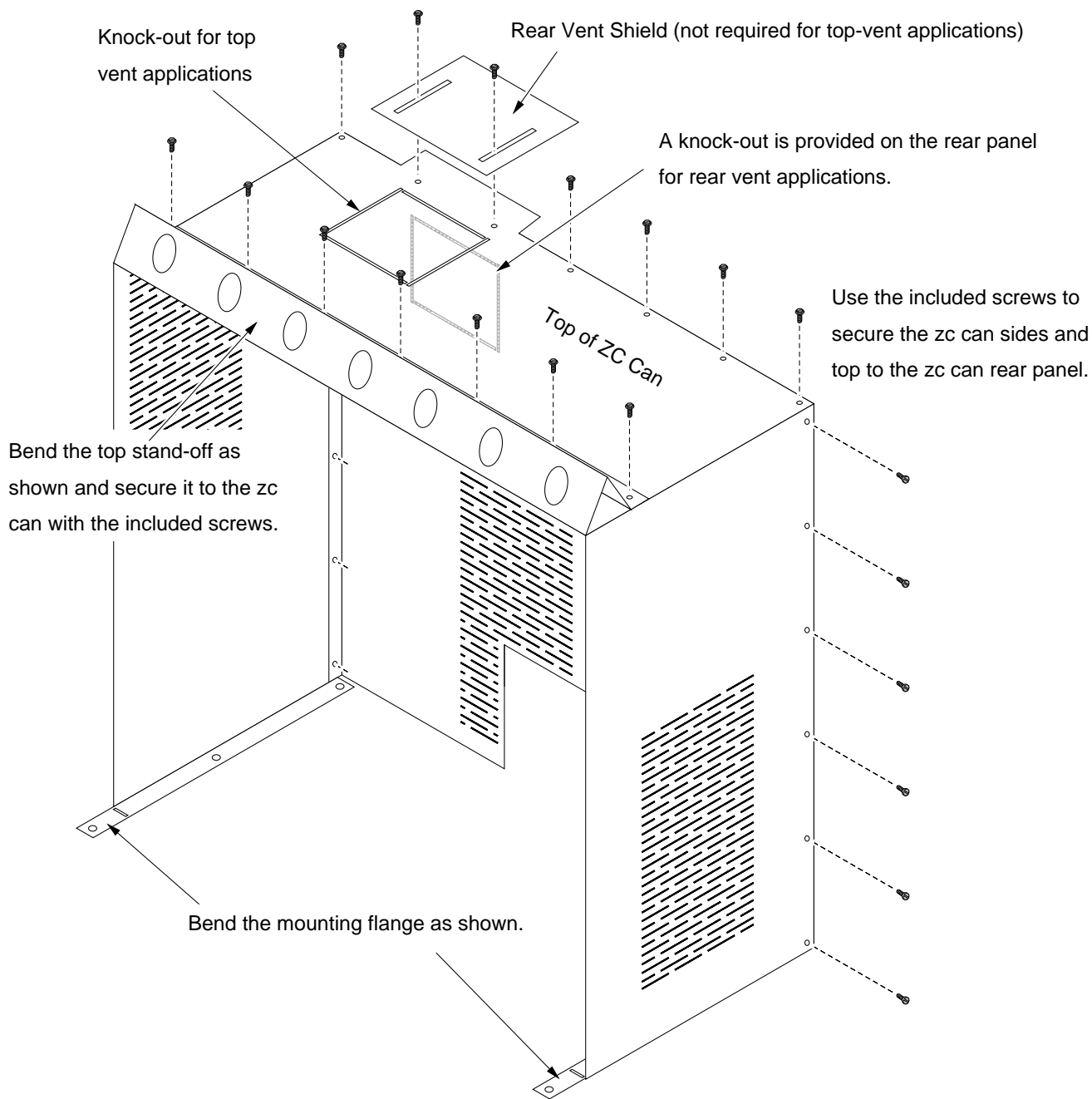
# ZC Kit – Large Pellet Insert

(99200149)

## ZC Can Construction

Construct the zc can as shown below.

**WARNING:** The sheet metal edges are sharp. Use gloves when handling the zc can.



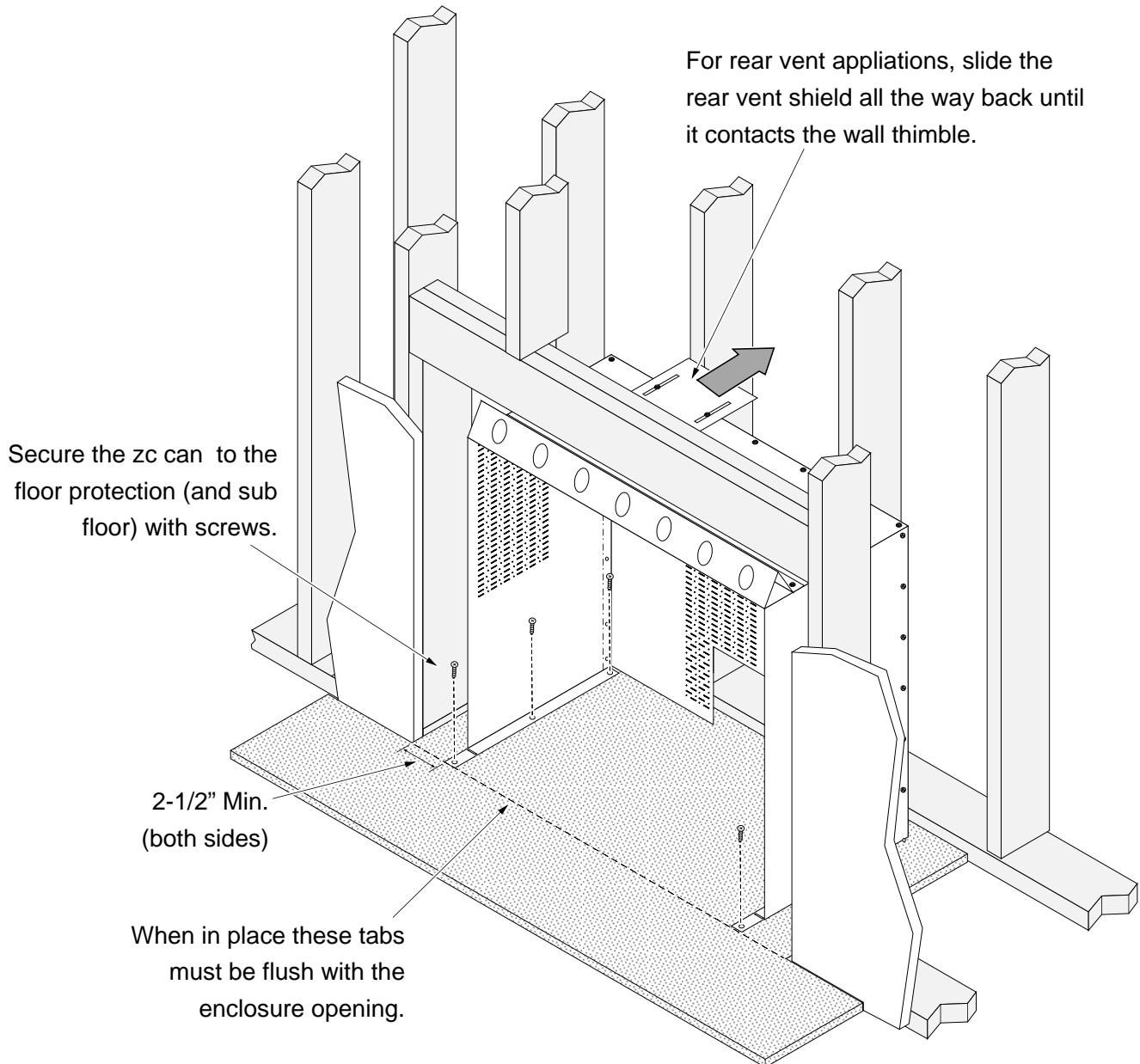


# ZC Kit – Large Pellet Insert

(99200149)

## ZC Can Placement

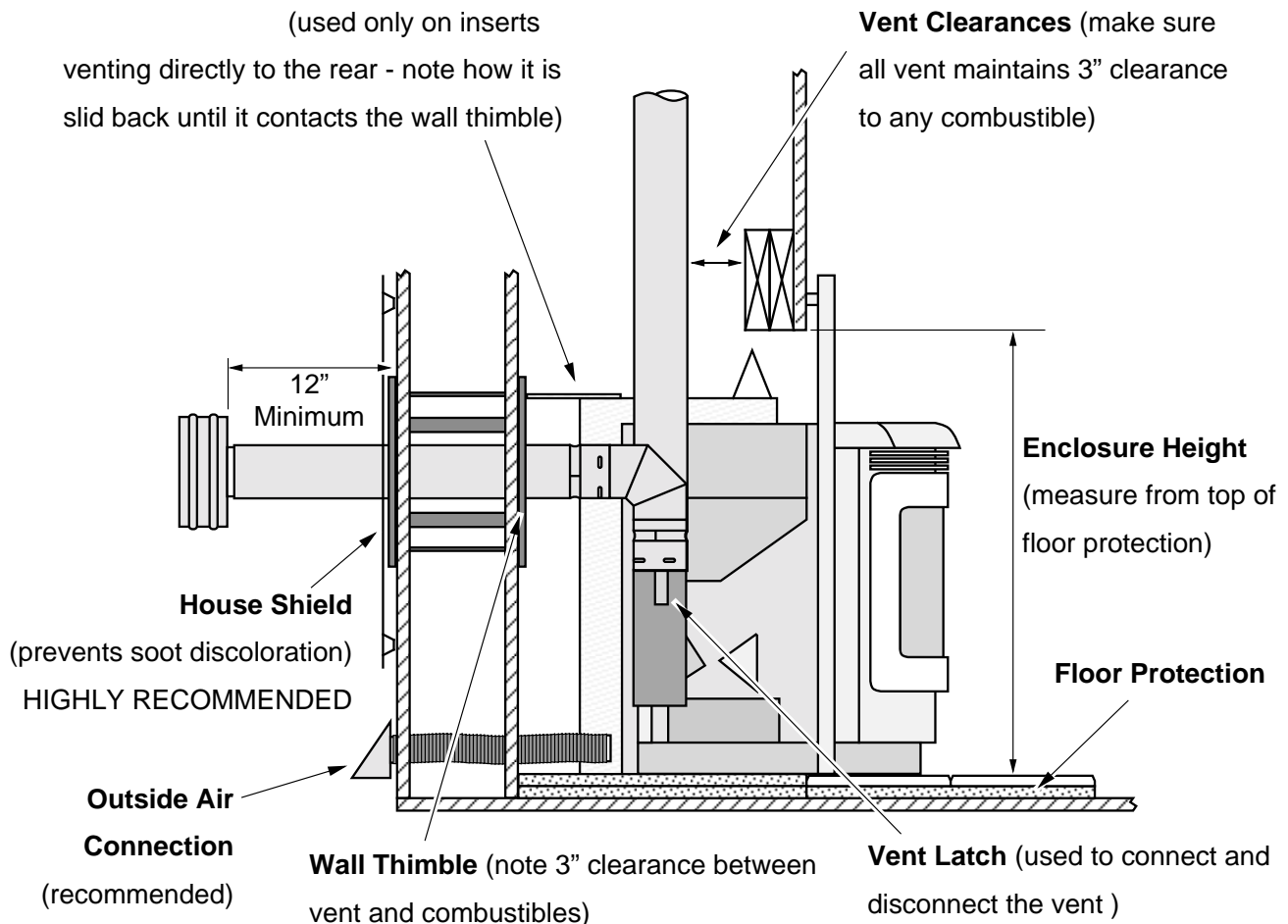
- Place the zc can inside the enclosure. The zc can must be placed so the front edge of the mounting flanges are flush with the enclosure opening. Secure the enclosure to the floor protection (and sub-floor) with screws.
- When venting horizontally the rear vent shield must be installed over the top of the zc can. When installed, the rear vent shield should contact the thimble (it acts as a heat shield above the vent).





## Insert Preparation and Placement

- Place the extending hopper into its highest position (see the manual for details). This increases the pellet capacity of the heater.
- Install the surround panels onto the insert and slide it into place. The surround panels must maintain a 3/8" gap from the enclosure opening (the stand-offs on the surround panels provide the 3/8" spacing).
- After the insert is in place, attach the vent starter section to the insert (it is attached with a latch – make sure the gasket is correctly positioned).
- The leveling bolts may be used to level the insert.
- We recommend the use of the Insert Wiring Kit when installing this kit (SKU 97200315). This kit allows for the power cord to be hard-wired behind the walls, eliminating the need for a visible power cord.





## Free Manuals Download Website

<http://myh66.com>

<http://usermanuals.us>

<http://www.somanuals.com>

<http://www.4manuals.cc>

<http://www.manual-lib.com>

<http://www.404manual.com>

<http://www.luxmanual.com>

<http://aubethermostatmanual.com>

Golf course search by state

<http://golfingnear.com>

Email search by domain

<http://emailbydomain.com>

Auto manuals search

<http://auto.somanuals.com>

TV manuals search

<http://tv.somanuals.com>