



AVALON

- Direct Vent Freestanding Stove
- Natural Gas or Propane
- Vent Horizontally or Vertically
- Standard Residential
- Mobile Home Approved

Tested and Listed by



Omni-Test Laboratories, Inc.
Beaverton, Oregon
Report # 028-S-28-5

ANSI Z21.88, CSA 2.33 M98, CAN/CGA 2.17-M91

Featuring the  Burner

WARNING: If the information in these instructions is not followed exactly, a fire or explosion may result causing property damage, personal injury or loss of life.

- Do not store or use gasoline or other flammable vapors and liquids in the vicinity of this or any other appliance.

WHAT TO DO IF YOU SMELL GAS

- Do not try to light any appliance.
- Do not touch any electrical switch; do not use any phone in your building.
- Immediately call gas supplier from a neighbor's phone. Follow the gas supplier's instructions.
- If you cannot reach your gas supplier, call the fire department.
- Installation and service must be performed by a qualified installer, service agency or the gas supplier.

This appliance may be installed as an OEM installation in a manufactured (mobile) home and must be installed in accordance with the manufacturer's instructions and the manufactured home construction and safety standard, Title 24 CFR, Part 3280 or Standard for Installation in Mobile Homes, CAN/CSA Z240 MH.

This appliance is only for use with the type(s) of gas indicated on the rating plate. A conversion kit is supplied with the appliance.

Prairie Owner's Manual

Installer: After installation give this manual to the home-owner and explain operation of this heater.

© Copyright 2007, T.I. \$10.00 93508115 4050113



**TRAVIS INDUSTRIES
HOUSE OF FIRE**

4800 Harbour Pointe Blvd. SW
Mukilteo, WA 98275

Introduction

Introduction & Important Information.....2

Safety Precautions

Safety Precautions4

Features & Specifications

Features6
 Installation Options.....6
 Heating Specifications.....6
 Dimensions.....6

Installation

Installation Warning.....7
 Packing List.....7
 Additional Items Required for Installation.....7
 Installation Overview.....7
 Installation Hints.....8
 Stove Clearances8
 Mobile Home Requirements.....8
 Heater Placement Requirements.....9
 Floor Protection Requirements.....9
 Gas Line Installation.....10
 Vent Requirements.....11
 Approved Vent Configurations.....12
 Restrictor Position.....12
 Measuring Vent Lengths.....12
 Vertical Term. with 0, 2, or 4 45° Elbows13
 Hor. Term. with 1 90° Elbow.....14
 Hor. Term. with 2 Elbows.....15
 Hor. Term. with 3 Elbows.....16
 Vertical Term. with 2 90° Elbows17
 Vertical Term. with 3 Elbows.....18
 Vent Termination Requirements19

Finalizing the Installation

Leak Test.....20
 Pilot Adjustment (if necessary).....20
 Air Shutter Adjustment (if necessary).....21
 Check Flame.....21
 Glass Removal (& installation).....22
 Log Installation.....24

Operation

Before You Begin.....25
 Location of Controls25
 Starting The Pilot26
 Starting the Stove for the First Time.....27
 Turning the Stove On and Off27
 Adjusting the Flame Height.....27
 Adjusting the Blower Speed (optional)28
 Normal Operating Sounds.....28
 Normal Operating Odors.....28

Maintenance

Maintaining Your Stove's Appearance.....29
 Yearly Service Procedure.....29
 Troubleshooting Table.....30
 How this Stove Works.....31
 What Turns the Main Burners On and Off.....31
 What Prevents Gas Buildup.....31
 Wiring Diagram32
 Replacement Parts List.....32

Safety Label

Safety (Listing) Label.....33

Warranty

Warranty.....34

Optional Equipment

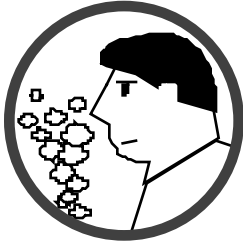
LP Conversion Kit35
 Blower38
 Fireback.....40

Installation Addenda

Class A Chimney Conversion.....41
 Interior Masonry Chimney Conversion.....41

Index

Index.....42



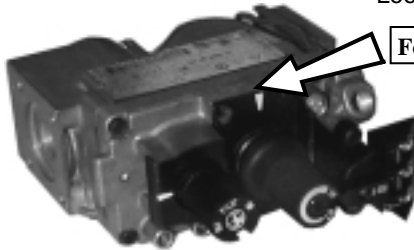
• IF YOU SMELL GAS:

- * Do not light any appliance
- * Extinguish any open flame
- * Do not touch any electrical switch or plug or unplug anything
- * Open windows and vacate building
- * Call gas supplier from neighbor's house, if not reached, call fire department



- This unit must be installed by a qualified installer to prevent the possibility of an explosion. Your dealer will know the requirements in your area and can inform you of those people considered qualified. The room heater should be inspected before use and at least annually by a qualified service person. More frequent cleaning may be required due to excessive lint from carpeting, bedding material, etc.
- The instructions in this manual must be strictly adhered to. Do not use makeshift methods or compromise in the installation. Improper installation will void the warranty and safety listing.

Look for this label:



For LPG only | Pout 11" W.C.

If the label is present, the heater is equipped for LP (propane). If the label is absent, the heater is equipped for NG (natural gas).

- This heater is either approved for natural gas (NG) or for propane (LP or LPG). Burning the incorrect fuel will void the warranty and safety listing and may cause an extreme safety hazard. Direct questions about the type of fuel used to your dealer. Check for the label shown to the right.



- Contact your local building officials to obtain a permit and information on any installation restrictions or inspection requirements in your area. Notify your insurance company of this heater as well.



- If the flame becomes sooty, dark orange in color, or extremely tall, do not operate the heater. Call your dealer and arrange for proper servicing.



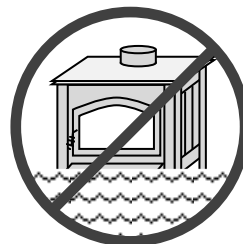
- It is imperative that control compartments, screens, or circulating air passageways of the heater be kept clean and free of obstructions. These areas provide the air necessary for safe operation.



- Do not operate the heater if it is not operating properly in any fashion or if you are uncertain. Call your dealer for a full explanation of your heater and what to expect.



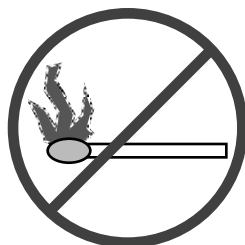
- Do not store or use gasoline or other flammable liquids in the vicinity of this heater.



- Do not use this appliance if any part has been under water. Immediately call a qualified service technician to inspect the appliance and to replace any part of the control system and any gas control which has been under water.



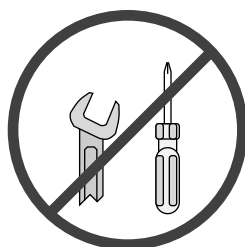
- Do not place clothing or other flammable items on or near the heater. Because this heater can be controlled by a thermostat there is a possibility of the heater turning on and igniting any items placed on or near it.



- Light the heater using the built-in piezo igniter. Do not use matches or any other external device to light your heater.
- Never remove, replace, modify or substitute any part of the heater unless



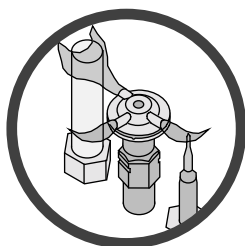
- The viewing glass should be opened only for lighting the pilot or conducting service.
- Any safety screen or guard removed for servicing must be replaced prior to operating the heater.
- Do not operate with the glass removed or damaged.



instructions are given in this manual. All other work must be done by a trained technician. Don't modify or replace orifices.



- Operate the heater according to the instructions included in this manual.
- If the main burners do not start correctly turn the gas off at the gas control valve and call your dealer for service.



- Allow the heater to cool before carrying out any maintenance or cleaning.

- The pilot flame must contact the thermopile and thermocouple (see the illustration to the left). If it does not, turn the gas control valve to "OFF" and call your dealer.



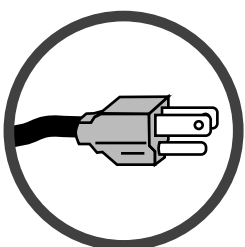
- This unit is not for use with solid fuel
- Do not place anything inside the firebox (except the included fiber logs).
- If the fiber logs become damaged, replace with Travis Industries log set.



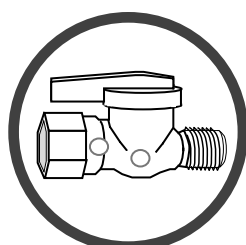
- Do not throw this manual away. This manual has important operating and maintenance instructions that you will need at a later time. Always follow the instructions in this manual.



- Do not touch the hot surfaces of the heater. Educate all children of the danger of a high-temperature heater. Young children should be supervised when they are in the same room as the heater.



- Plug the heater into a 120V grounded electrical outlet. Do not remove the grounding plug.
- Don't route the electrical cord in front of, over, or under the heater



- Instruct everyone in the house how to shut gas off to the appliance and at the gas main shutoff valve. The gas main shutoff valve is usually next to the gas meter or propane tank and requires a wrench to shut off.



- **Travis Industries, Inc. grants no warranty, implied or stated, for the installation or maintenance of your heater, and assumes no responsibility of any consequential damage(s).**

Features:

- Works During Power Outages (millivolt system)
- High Efficiency
- Optional Thermostat or Remote Control
- Realistic "Wood Fire" Look
- Optional Blower for Quicker Heat Distribution
- Convenient Operating Controls
- Variable-Rate Heat Output
- Low Maintenance

Installation Options:

- Freestanding Stove
- Horizontal or Vertical Vent
- Residential or Mobile Home
- Straight or Corner Placement
- Bedroom Approved

Heating Specifications:

Approximate Heating Capacity (in square feet)*.....500 - 1,500 with Blower, 500 to 1,200 Without
Maximum Input31,000

Output from Low to High (in BTU's per hour).....16,608 to 26,815

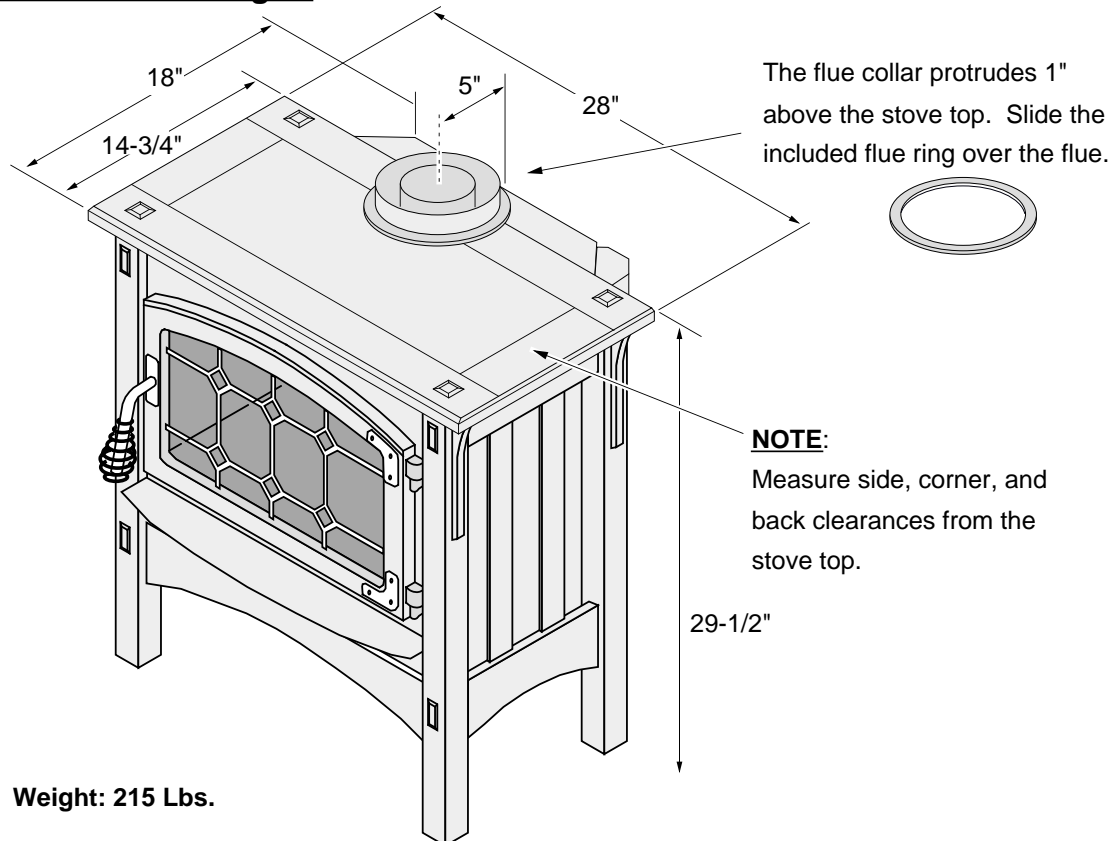
Steady State Efficiency.....up to 86.5%

AFUE (without blower)Up to 67.2%

- Heating capacity will vary depending on the home's floor plan, degree of insulation, and the outside temperature.

** Efficiency rating is a product of thermal efficiency rating determined under continuous operation independent of installed system.

Dimensions & Weight:



Electrical Specifications (for optional blower)

Electrical Rating.....115 Volts, 1.3 Amps, 60 Hz (150 watts on high)

Fuel:

This heater is shipped in natural gas (NG) configuration but may be converted to propane (LP) using the included LP conversion kit. The sticker on top of the gas control valve will verify the correct fuel.

Installation Warnings:

- ! Failure to follow all of the requirements may result in property damage, bodily injury, or even death.
- ! This heater must be installed by a qualified installer who has gone through a training program for the installation of direct vent gas appliances.
- ! This appliance must be installed in accordance with all local codes, if any; if not, in U.S.A. follow ANSI Z223.1 and NFPA 54(88), in Canada follow B-149.
- ! In Manufactured or Mobile Homes must conform with: In USA, Manufactured Home Construction and Safety Standard, Title 24 CFR, Part 3280; In Canada, CSA Z240.4 and Gas-Equipped Recreational Vehicles and Mobile Housing. This appliance may be installed in Manufactured Housing only after the home is site located.
- ! This stove is designed to operate on natural gas or propane (LP).
- ! All exhaust gases must be vented outside the structure of the living-area. Combustion air is drawn from outside the living-area structure.
- ! Notify your insurance company before hooking up this stove.
- ! The requirements listed below are divided into sections. All requirements must be met simultaneously. The order of installation is not rigid – the qualified installer should follow the procedure best suited for the installation.

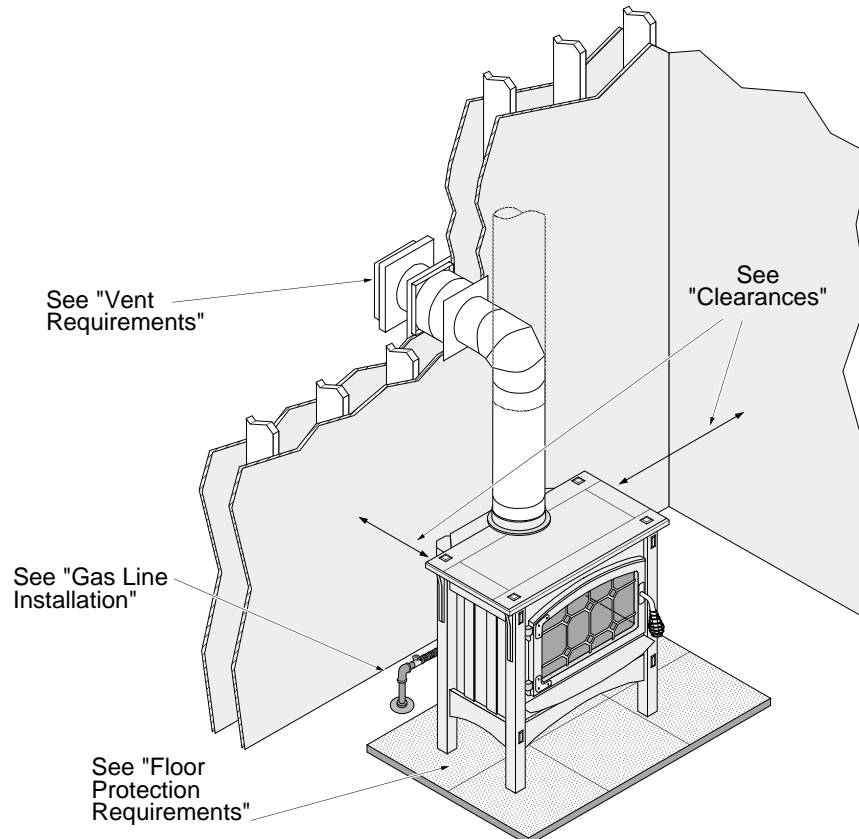
Packing List

- Propane Conversion Kit
- Log Set
- 4" Pipe, 8" Pipe, and 90° Elbow (for gas inlet)
- Glass Latch Tool (to un-latch glass frame)
- Touch-Up Paint

Additional Items Required

- Vent (see "Venting Requirements" for details)
- Gas Line Equipment (shutoff valve, pipe, etc.)

Installation Overview



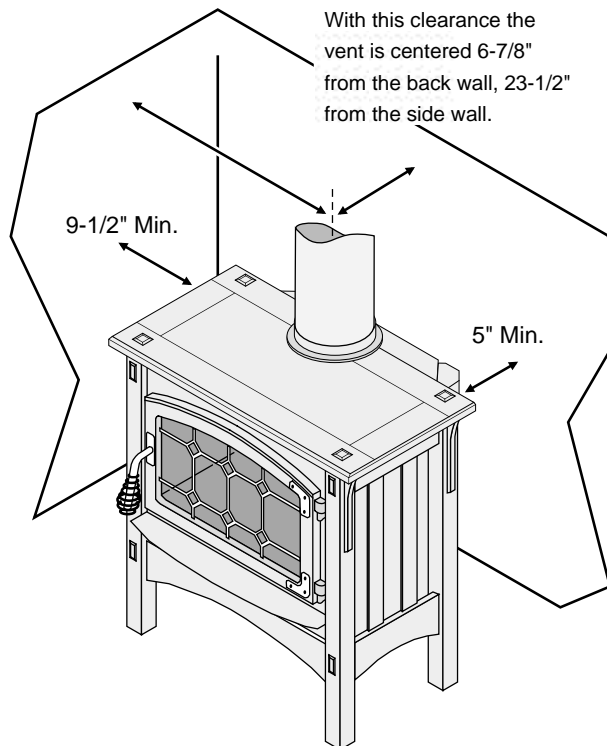


Installation Hints:

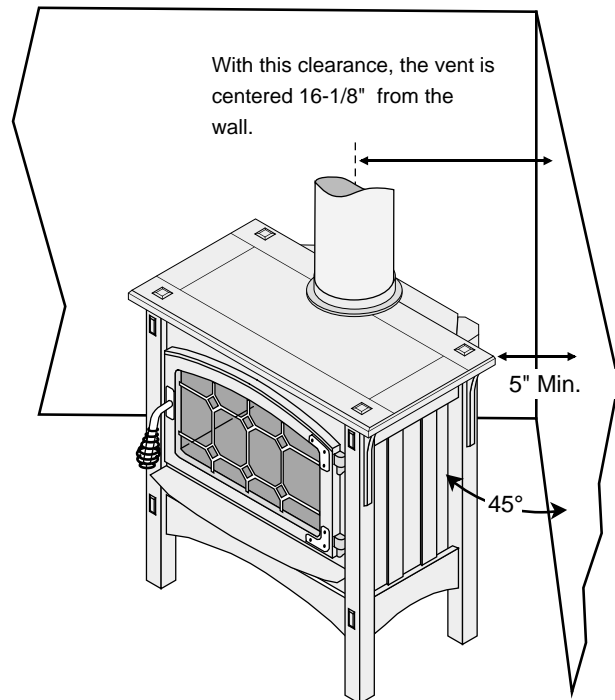
- If converting to LP, convert the appliance prior to installation.
- The blower is easiest to install prior to installation. Because the blower is located near the gas inlet location, we recommend using the included pipe and elbow to route the gas inlet around the blower position.
- Install the logs last - they are fragile.
- When determining the location of the stove, locate the wall studs (for horizontal penetrations) and ceiling trusses (for vertical penetrations). You may wish to adjust the stove position slightly to ensure the vent does not intersect with a framing member.
- Fumes and smoke from the paint curing and oil burning off the steel may occur the first time you start this heater. This is normal. We recommend you open windows to vent the room.

Stove Clearances

Straight Installations



Corner Installations



Mobile Home Requirements

- When the stove is installed in a mobile home, it must be bolted to the floor and the appliance grounded (use the optional blower with a grounded circuit or other suitable grounding method - current ANSI/NFPA 70 or CSA C22.1).

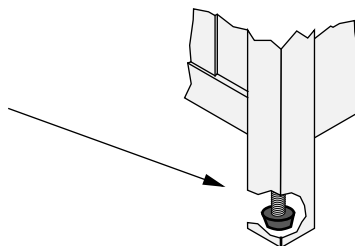
Heater Placement Requirements

- Heater must be installed on a level surface capable of supporting the heater and vent
- Due to the high temperature, the heater should be located out of traffic and away from furniture and draperies.
- ? When placed in a location where the floor to ceiling height is under 7 feet, the installation is considered an alcove and must meet the following requirements:
 - The alcove floor to ceiling height must be at least 58" tall
 - The alcove must not be more than 45" deep before the ceiling returns to 7'
 - The alcove must be at least 47" wide
- The heater must not be placed so the vents below or above the door, along the sides of heater, or along the back of the heater can become blocked.
- This heater may be placed in a bedroom. Please be aware of the large amount of heat this appliance produces when determining a location.

Floor Protection Requirements

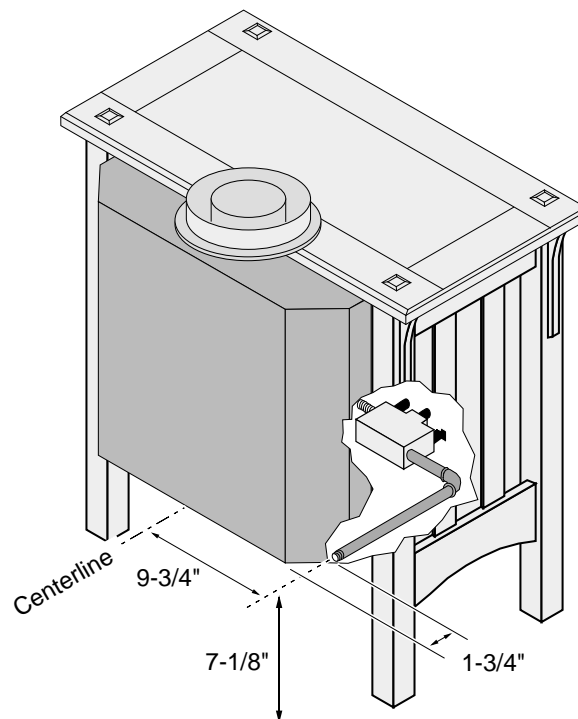
- When the stove is installed directly on carpeting, vinyl or other combustible material other than wood flooring or a high pressure laminate wood floor, the stove must be installed on a metal or wood protection panel extending the full width and depth of the heater (Minimum 28" wide by 18" deep).

Make sure these rubber tipped bolts on each leg contact the floor (they dampen any noise that may transmit through the hearth). Do not adjust with weight on the legs, the rubber tips may tear.



Gas Line Installation

- ! The gas line must be installed in accordance with all local codes, if any; if not, follow current ANSI Z223.1 or NFPA 54 in the USA and the current CGA B149 in Canada.
- ! The heater and gas control valve must be disconnected from the gas supply piping during any pressure testing of that system at test pressures in excess of 1/2 psig (3.45 kPa). For pressures under 1/2 psig (3.45 kPa), isolate the gas supply piping by closing the manual shutoff valve.
- This heater is designed for natural gas but can be converted to propane. Check the sticker on top of the gas control valve to verify the correct fuel is used (see page 4).
- Leak test all gas line joints and the gas control valve prior to and after starting the heater.
- The gas inlet accepts a 3/8" F.P.T. Fitting
- The location of the gas inlet is shown below
- A manual shutoff valve is required for installation (it must be located within 3' of the heater). T-Handle gas cocks are required by Massachusetts in compliance with code 248 CMR.



Gas Inlet Pressure

- With the heater off, the inlet pressure must meet the requirements listed in the table below
- ? If the pressure is not sufficient, make sure the piping used is large enough and the total gas load for the residence does not exceed the amount supplied.
- ? The supply regulator (the regulator that attaches directly to the residence inlet or to the propane tank) should supply gas at the suggested input pressure listed below. Contact the local gas supplier if the regulator is at an improper pressure.

| | Standard Input Pressure |
|-------------|-------------------------|
| Natural Gas | 7" W.C. (1.74 Kpa) |
| Propane | 13" W.C. (2.73 Kpa) |

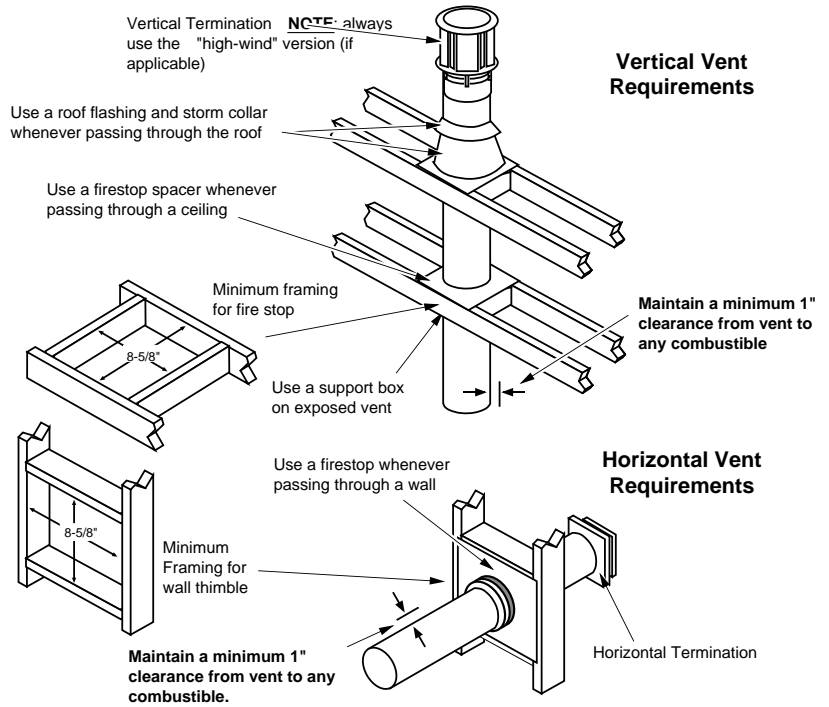
Vent Requirements

- ! Always maintain the required 1" clearance (air space) to combustible materials to prevent a fire hazard. Do not fill air spaces with insulation.
- ! The gas appliance and vent system must be vented directly to the outside of the building, and never be attached to a chimney serving a separate solid fuel or gas-burning appliance. Each direct vent gas appliance must use it's own separate vent system.

- This appliance is equipped only for altitudes 0-2000 feet. However, our in-house testing has shown that the unit operated at altitudes to 8000 ft.

- ! Failure to adjust the air shutter properly may lead to improper combustion which can create a safety hazard. Consult your dealer or installer if you suspect an improperly adjusted air shutter.

- When the vent passes through a wall, a wall thimble is required. When the vent passes through a ceiling, a support box or firestop is required. When the vent passes through the roof, a roof flashing and storm collar are required. Follow the instructions provided with the vent for installing these items.

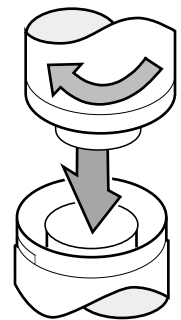


- Use of of the following 6-5/8" diameter co-axial gas direct vent systems:

| Manufacturer | Series |
|-------------------------|-------------|
| Simpson Dura-Vent | Model GS |
| Selkirk Hearth Products | Direct-Temp |
| American Metal Products | Ameri-Vent |

NOTE: Always use the high-wind cap for the type of vent you are using (if applicable)

- Slide the vent sections together and turn 1/4 turn until the sections lock in place.
- Screws are not required to secure the vent. However, three screws may be used to secure vent sections together if desired.
- High temperature sealant is recommended at the appliance starter section connection (use high-temperature silicone or Mill-Pac®).
- If disassembly is required, at time of re-assembly check to see if the vent creates a tight fit. If it does not, apply high temperature sealant to the joints of the affected sections.
- Horizontal sections require a 1/4" rise every 12" of travel
- Horizontal sections require non-combustible support every three feet (e.g.: plumbing tape)



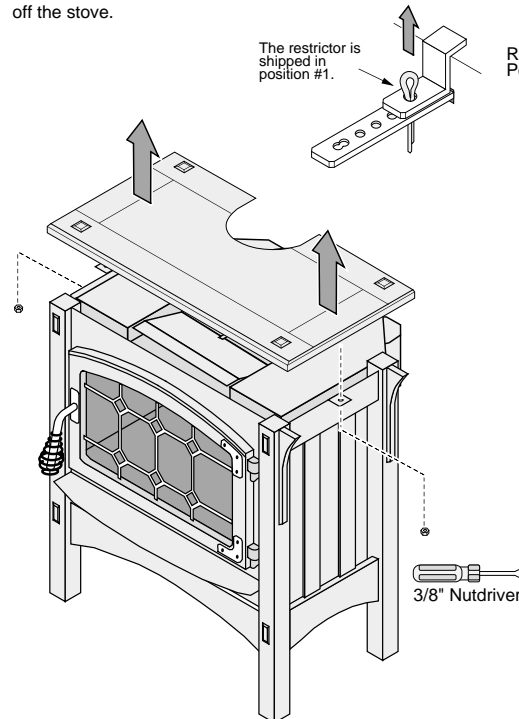
Approved Vent Configurations

Restrictor Position

- A restrictor is built into the appliance to control the flow rate of exhaust gases. This ensures proper flames for the wide variety of vent configurations. Depending upon the vent configuration, you may be required to adjust the restrictor position. The charts for approved vent configurations describe which position the vent restrictor must be in.

To Access the Restrictor

Remove the nuts holding the stove top in place (see the illustration below). Lift the stove top off the stove.

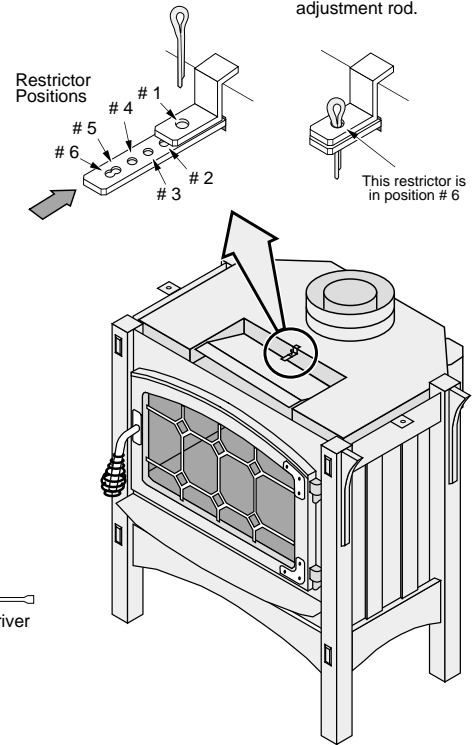


To Adjust the Restrictor

(a) Lift the cotter pin out.

(b) Slide the restrictor adjustment rod in.

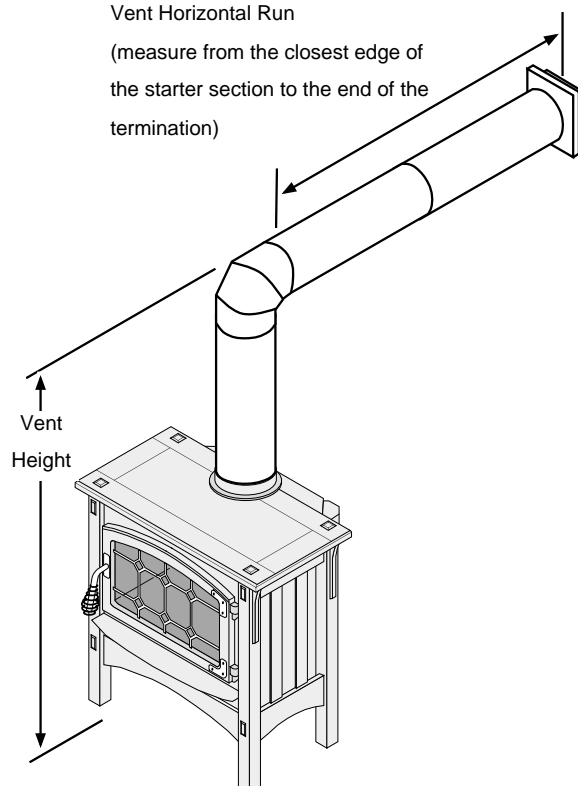
(c) Replace the cotter pin through the correct hole on the restrictor adjustment rod.



Measuring Vent Lengths

Vent Horizontal Run

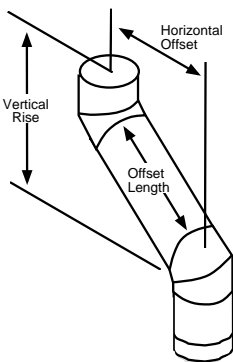
(measure from the closest edge of the starter section to the end of the termination)



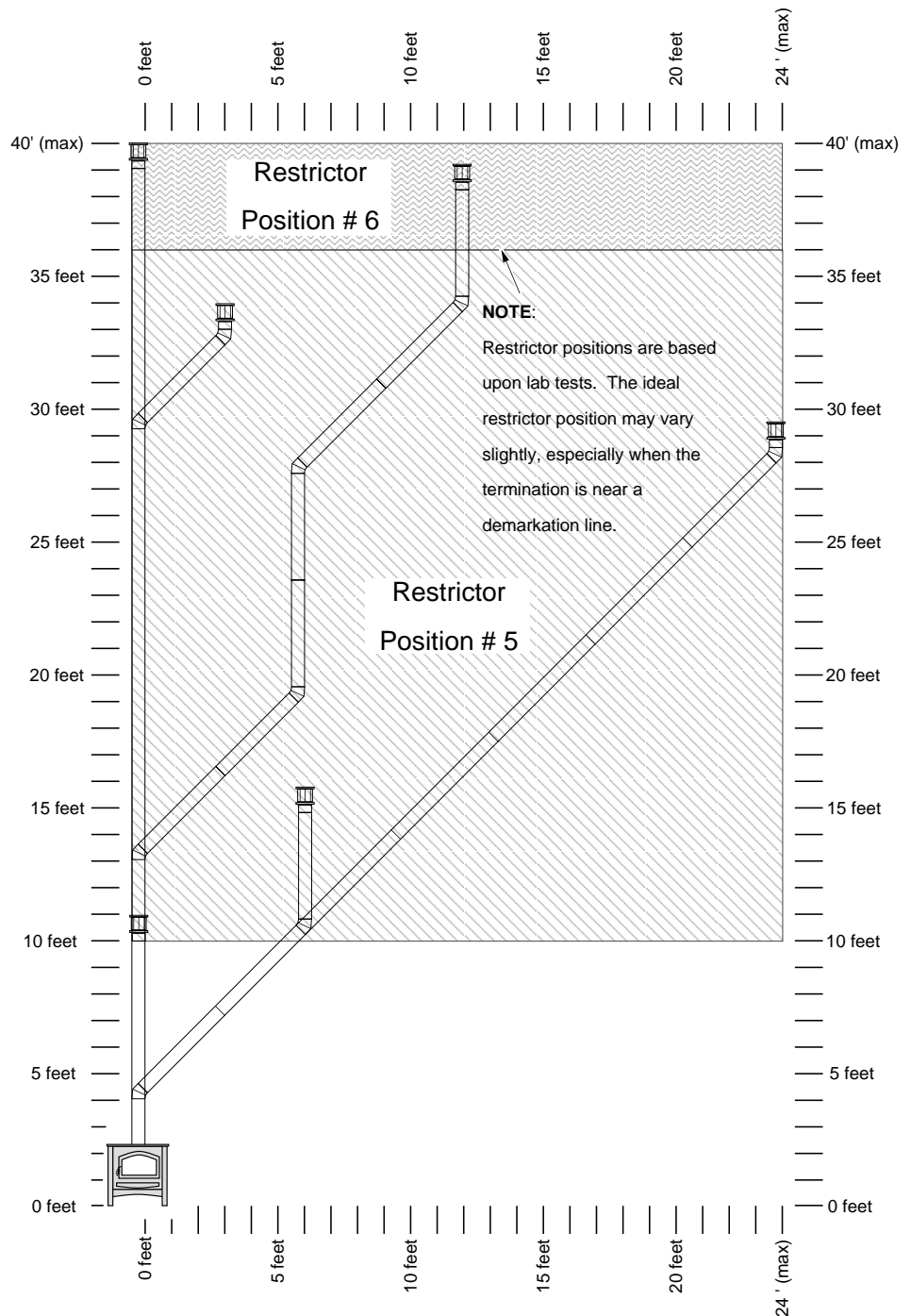
Vent Height is calculated to the top of the vent on horizontal terminations and to the top of the termination on vertical terminations.

Approved Venting Configurations for Vertical Terminations with Zero, Two, or Four 45° Elbows

- 10' Minimum System Height (with or without offsets)
- 40' Maximum System Height
- 24' Maximum Offset
- The termination must fall within the shaded area shown in the chart. Use the indicated restrictor position.
- If using offsets, use the table below to calculate the vertical rise and horizontal offset

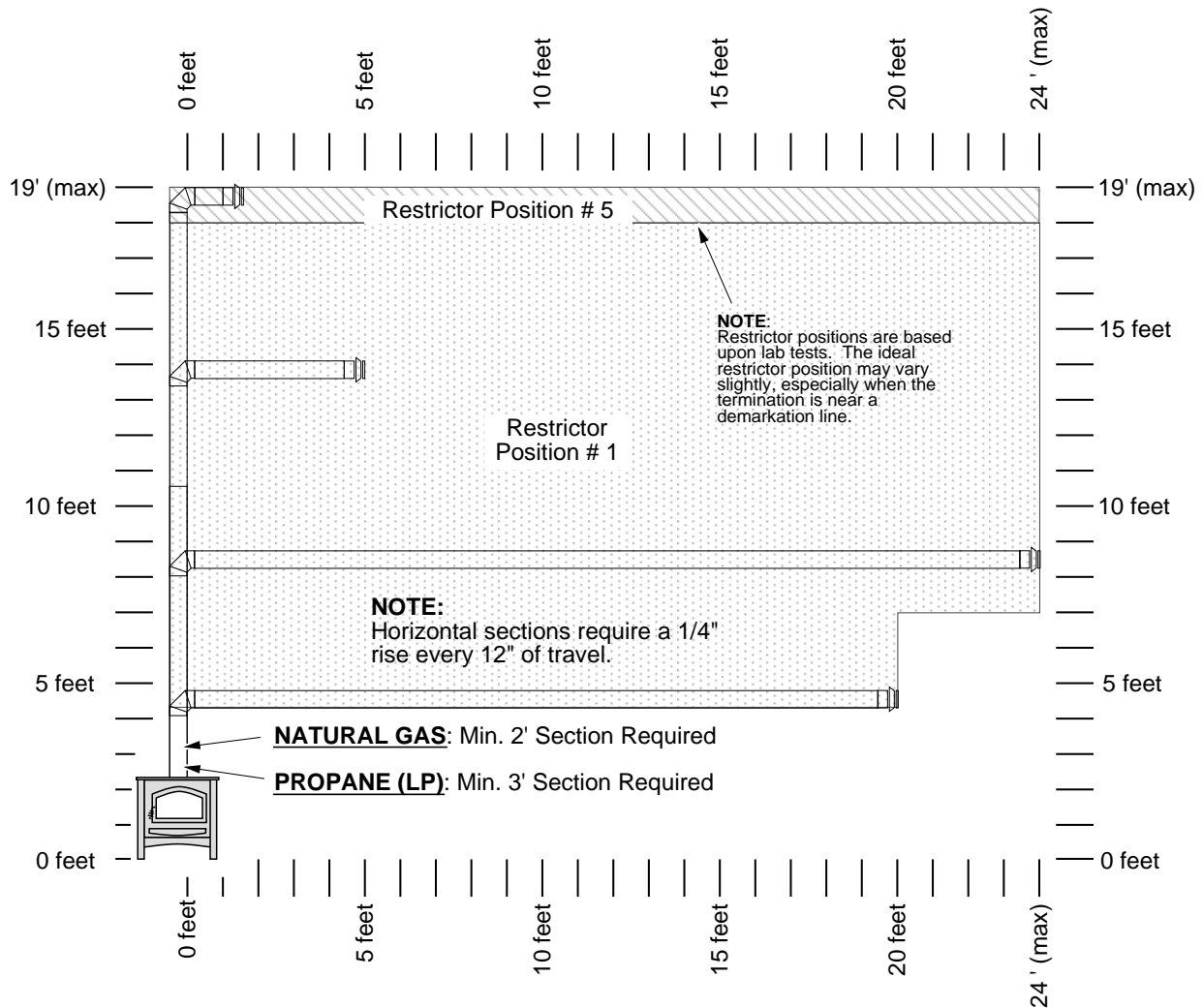


| Offset Length | Hor. Offset | Vert. Rise |
|-----------------|-------------|------------|
| None | 5" | 1' |
| 1' Section | 1' | 1' 7" |
| 2' Section | 1' 9" | 2' 4" |
| 3' Section | 2' 5" | 3' |
| 4' Section | 3' 2" | 3' 8" |
| 4' + 1' Section | 3' 9" | 4' 4" |
| 4' + 2' Section | 4' 6" | 5' |
| 4' + 3' Section | 5' 2" | 5' 9" |
| 4' + 4' Section | 6' | 6' 9" |



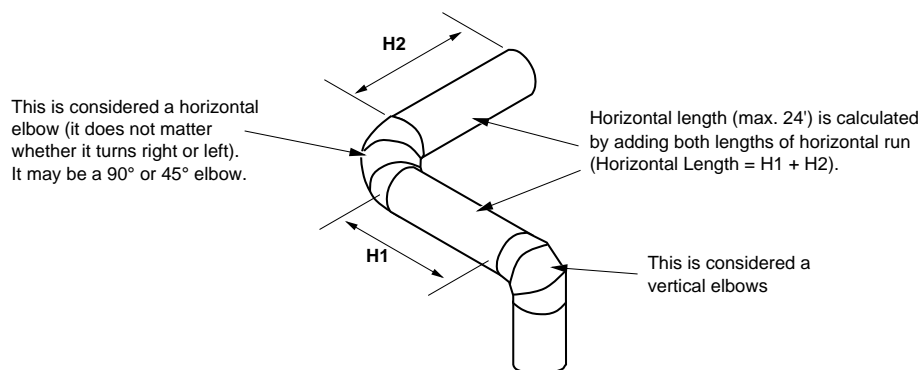
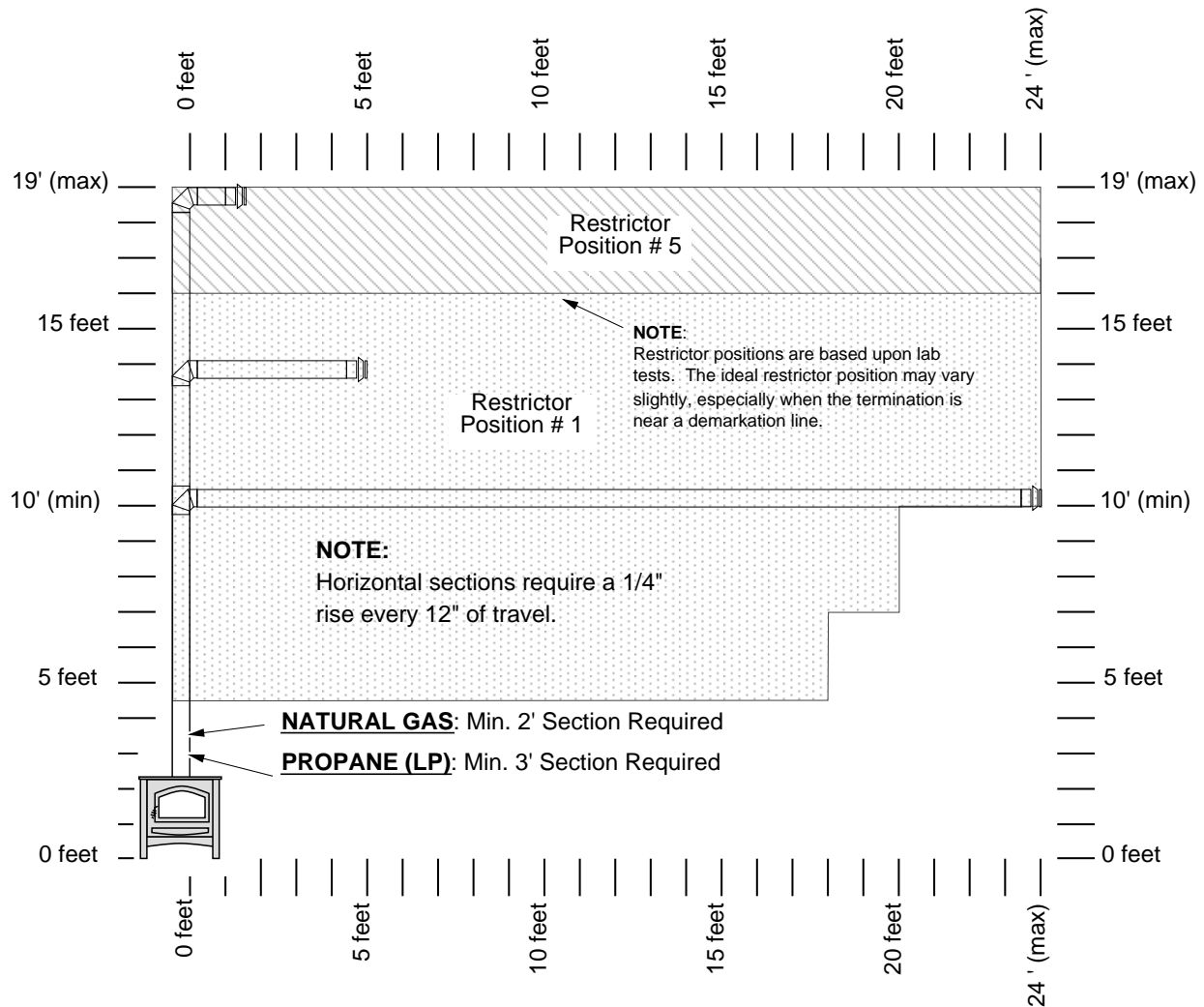
Approved Venting Configurations with a Horizontal Termination and One 90° Elbow

- If using a Snorkel Termination (14" or 36") add the snorkel height to the vertical height (snorkel terminations are used primarily for basement installations).
- The termination must fall within the shaded area shown in the chart. Use the indicated restrictor position.



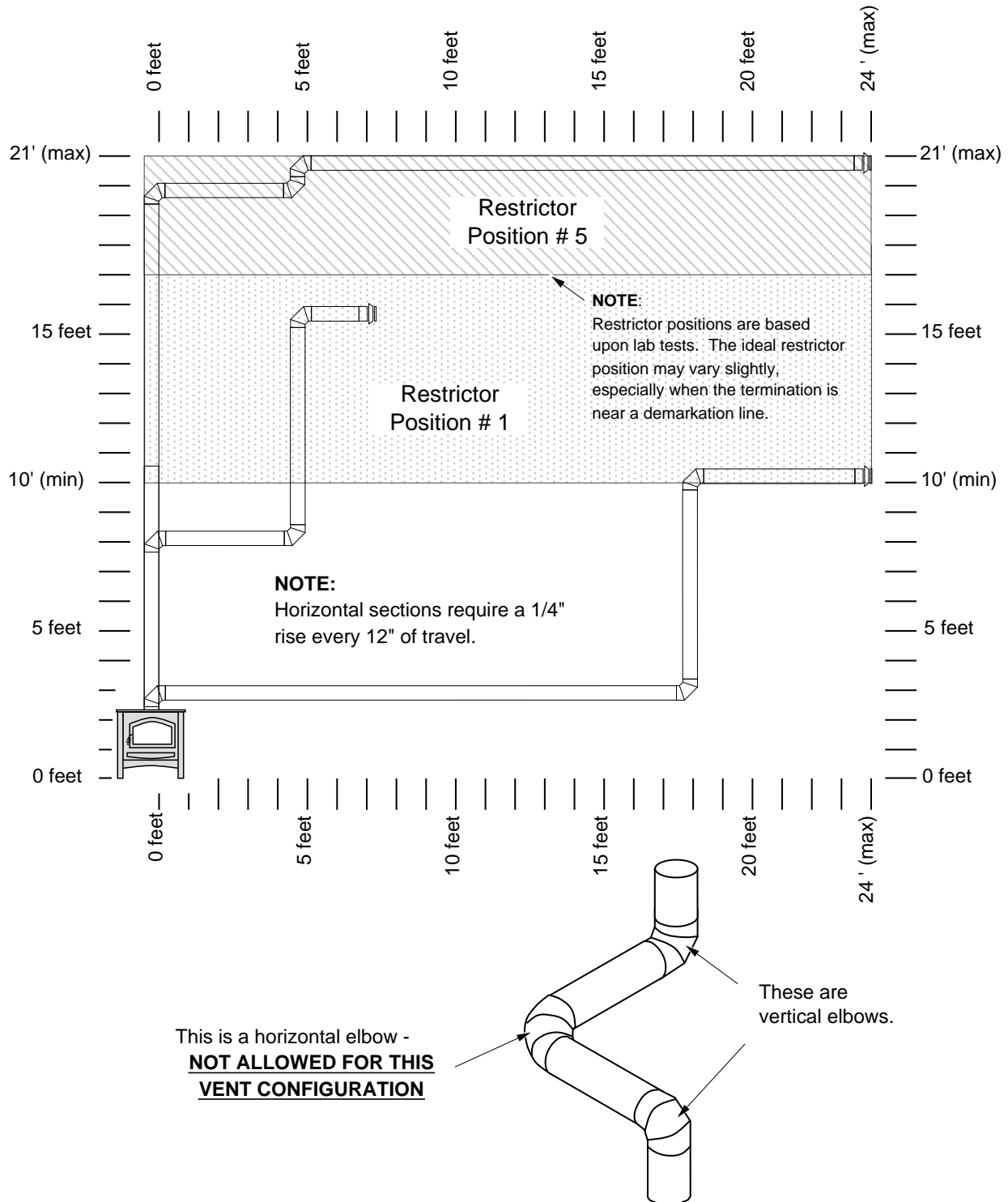
Approved Venting Configurations with a Horizontal Termination and Two Elbows (one 90° vertical and one 90° or 45° horizontal elbow)

- If using a Snorkel Termination (14" or 36") add the snorkel height to the vertical height (snorkel terminations are used primarily for basement installations).
- The termination must fall within the shaded area shown in the chart. Use the indicated restrictor position.



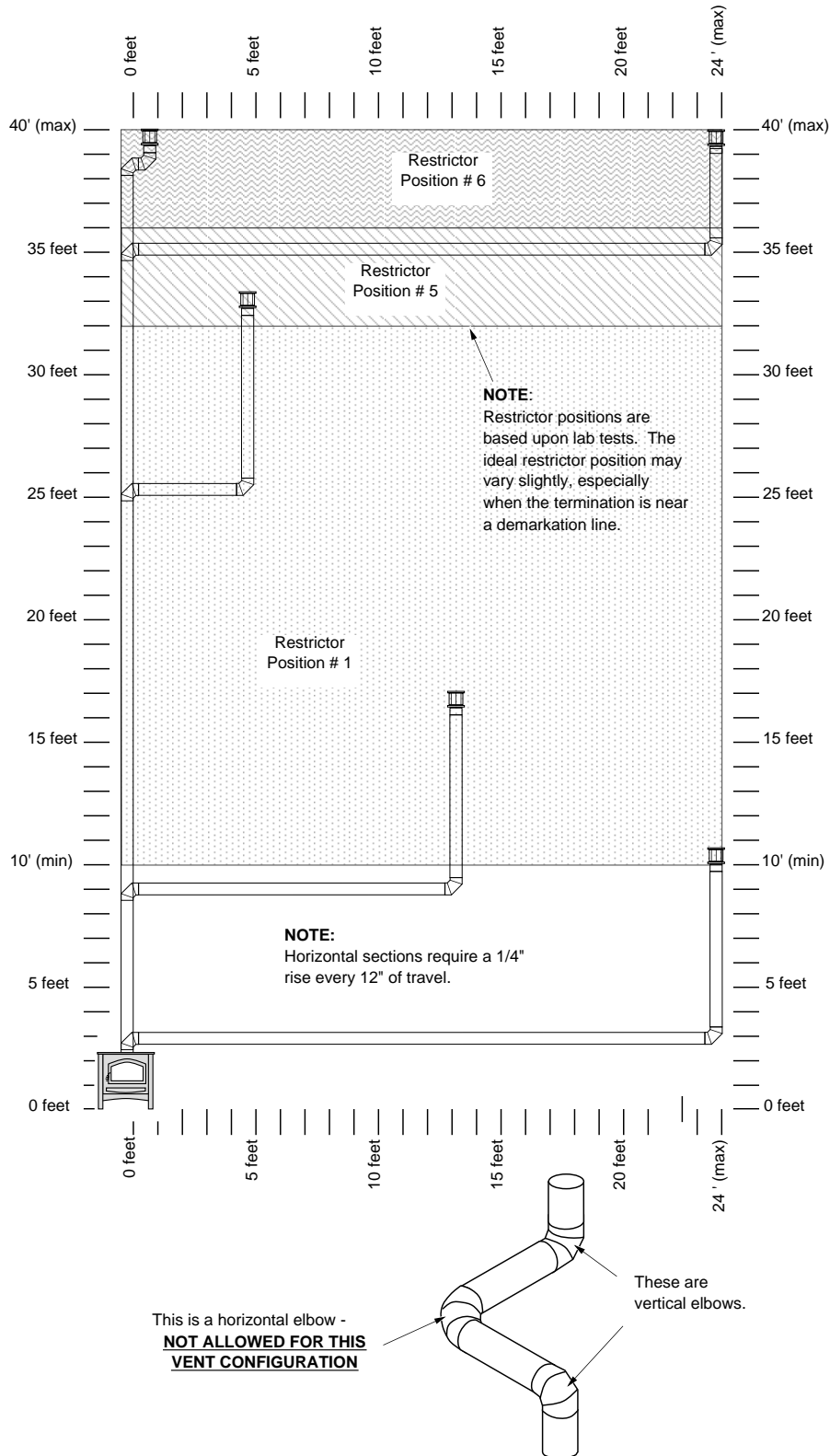
Approved Venting Configurations with a Horizontal Termination and Three 90° Elbows (all vertical)

- If using a Snorkel Termination (14" or 36") add the snorkel height to the vertical height (snorkel terminations are used primarily for basement installations).
- The termination must fall within the shaded area shown in the chart. Use the indicated restrictor position.



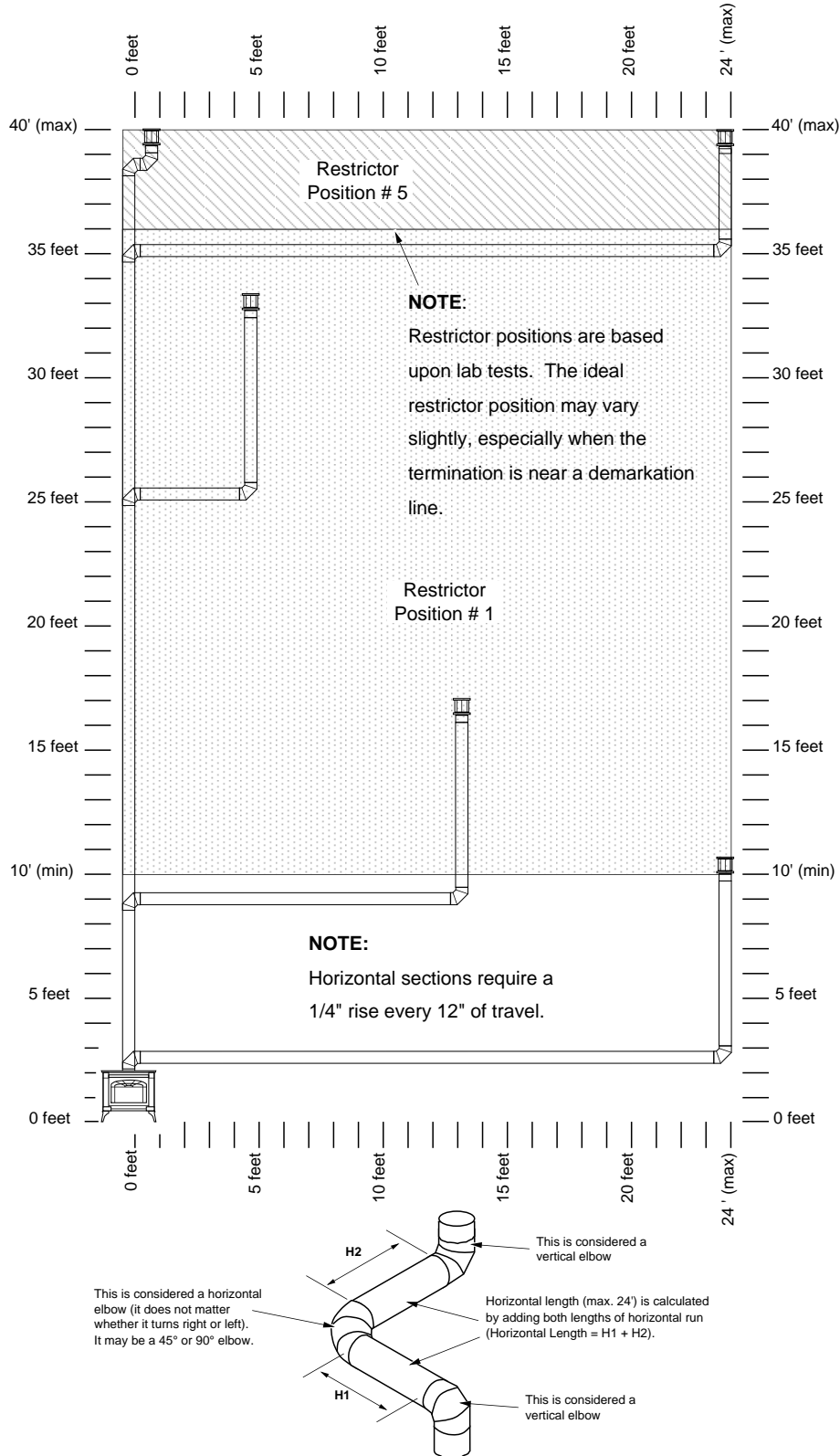
Approved Venting Configurations for Vertical Terminations with Two 90° Elbows

- The termination must fall within the shaded area shown in the chart. Use the indicated restrictor position.



Approved Venting Configurations for Vertical Terminations with Three 90° Elbows (Two 90° Vertical and One 45° or 90° Horizontal Elbow)

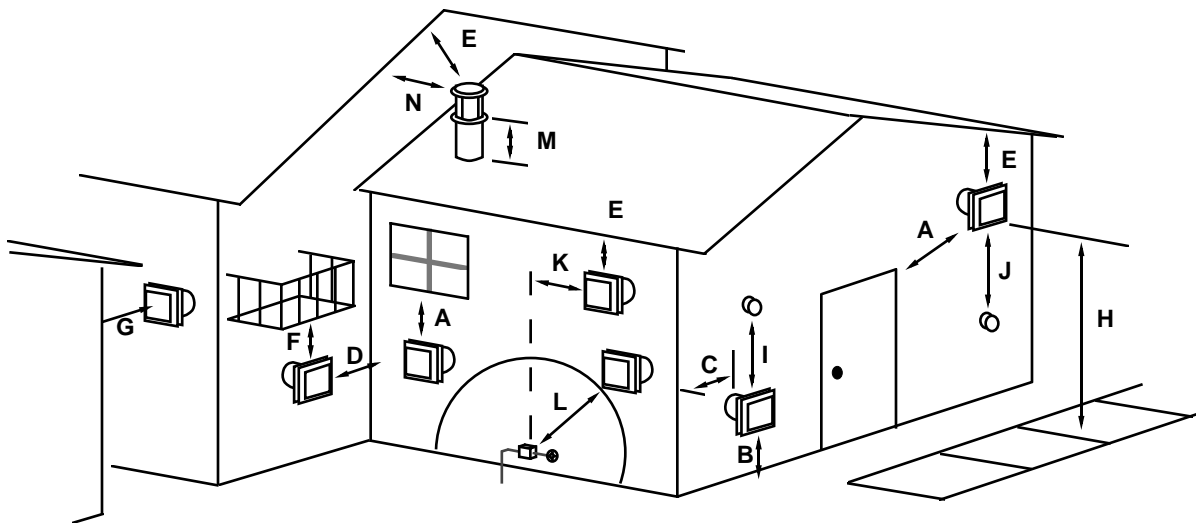
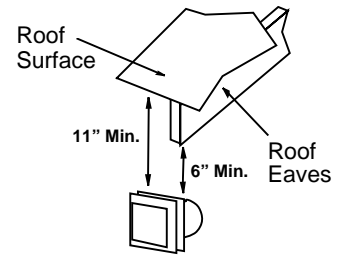
- The termination must fall within the shaded area shown in the chart. Use the indicated restrictor position.



Vent Termination Requirements (see illustration below)

! Venting terminals shall not be recessed into a wall or siding.

- A Minimum 9" clearance from any door or window
- B Minimum 12" above any grade, veranda, porch, deck or balcony
- C Minimum 12" from outside corner walls
- D Minimum 12" from inside corner walls
- E Minimum 11" clearance below unventilated soffits or roof surfaces
Minimum 18" clearance below ventilated soffits
Minimum 6" clearance below roof eaves
- NOTE:** Vinyl surfaces require 24"
- F Minimum 18" clearance below a veranda, porch, deck or balcony (must have two open sides)
- G Minimum 48" clearance from any adjacent building
- H Minimum 84" clearance above any grade when adjacent to public walkways or driveways
NOTE: may not be used over a walkway or driveway shared by an adjacent building
- I Minimum 48" clearance from any mechanical air supply inlet, 72" for Canada
- J Minimum 36" clearance above and 48" below and to the sides of non-mechanical air supply inlet
- K Minimum 36" from the area above the meter/regulator (vent outlet)
- L Minimum 36" from the meter/regulator (vent outlet)
- M Minimum 12" above the roof line (for vertical terminations)
- *Note:** In Canada the vent termination must be a minimum 2' (.6 M) tall and 2' (.6 M) above any portion of the roof within 10' (3 M) of the vent.
- N Minimum 24" horizontal clearance to any surface (such as an exterior wall) – for vertical terminations



NOTE: Measure clearances to the nearest edge of the exhaust hood.

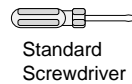
- Use the vinyl siding standoff (#1250) when installing on an exterior with vinyl siding.
- Vent termination must not be located where it will become plugged by snow or other material
- These clearances meet UMC-1994 and the CNA/CGA-B149 code standards.

20 Finalizing the Installation (for qualified installers only)

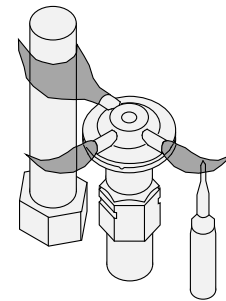
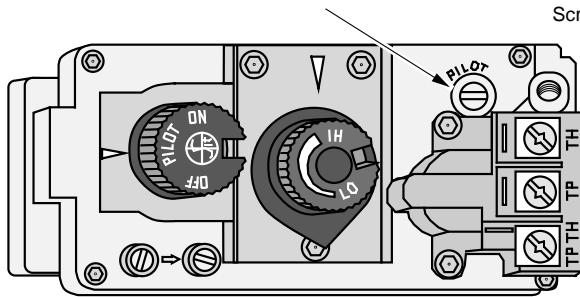
Finalizing the Installation

- ! Make sure the gas control valve is "OFF" and the heater is cool prior to conducting service.
- 1 Remove the glass (see page 22)
- 2 Install the log set and coals (see page 24).
- ! We recommend you purge the gas line at this time (with the glass removed). This allows gas to be detected once it enters the firebox, ensuring gas does not build up.
- 3 Replace and secure the glass (see page 22)
- 4 Turn on gas to the heater. Leak test all gas joints prior to starting the appliance. Start the pilot. Start the main burner. Leak test all gas joints again.
- 5 Check the pilot flame to make sure it looks like the illustration below. Adjust the pilot flame if necessary.

To adjust the pilot flame, turn this screw (NOTE: if totally unscrewed gas will come out of this port). Clockwise lowers the flame while counter-clockwise raises it.



The pilot flame must contact the thermocouple and thermopile (see the illustration below). Adjust the pilot up or down as necessary.

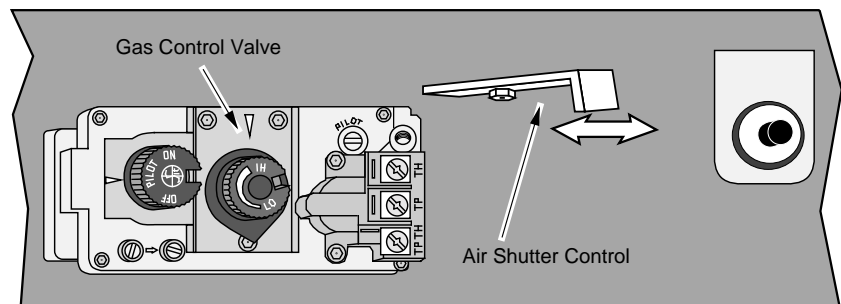


- 6 Let the heater burn for thirty minutes. Adjust the air shutter, if necessary, to achieve the correct looking flame (see the illustration below).
- The air shutter adjusts the amount of air that mixes with the gas before it exits the burner holes. It is used to fine-tune the flame for differences in altitude and vent configuration.

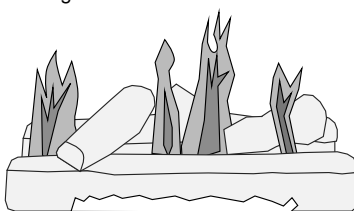
ADJUSTING THE AIR SHUTTER

Pushing to the left gives the flame less air (making it more orange). Pushing to the right gives the flame more air, making it more blue. For fine adjustments use a screwdriver to tap the air shutter.

NOTE: If the air shutter is all the way open, yet the flames remain sooty, shut off gas to the fireplace and contact a qualified gas service technician.

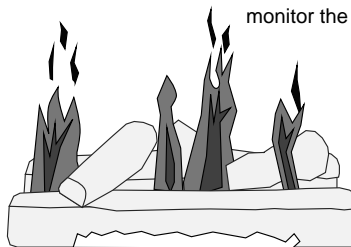


NOTE: The logs must be installed correctly to monitor the flame while adjusting the air shutter.



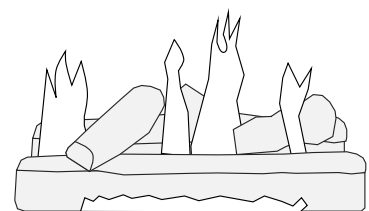
Correct

Flames should be blue at the base, yellow-orange on the top.



Not Enough Air

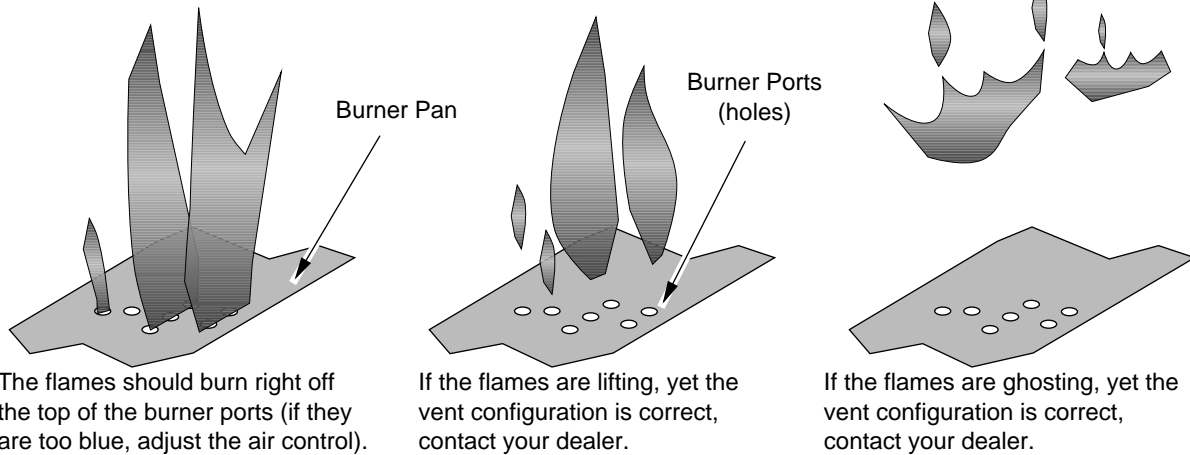
If the flames are over 14" tall or sooty on the ends, open the air shutter.



Too Much Air

If the flames are all blue and short, close the air shutter.

- ! If the vent configuration is installed incorrectly the vent may cause the flames inside the heater to lift or “ghost” – a dangerous situation. Inspect the flames after installation to insure proper performance. If the vent configuration is correct, yet the flames are lifting or ghosting, shut off gas to the heater and contact the dealer for information on remedying the problem.
- ! Failure to properly adjust the air shutter may lead to improper combustion and a safety hazard. Consult your dealer or installer if you suspect an improperly



- 7 Turn the flame adjust knob to its highest position - the flames should be a maximum 9” to 10” tall. Check the flame on low position. The flames should burn off of each burner hole. If the heater does not work correctly, contact your dealer for a remedy.
- 8 **Give this manual to the home owner and fully explain the operation of this heater.**

22 Finalizing the Installation (for qualified installers only)

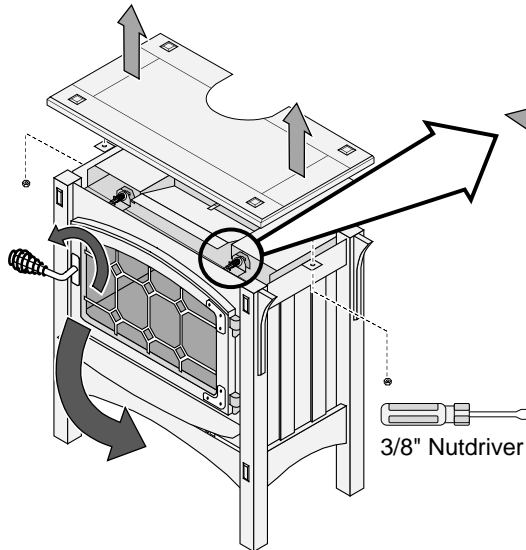
Face and Glass Removal

! Make sure the gas control valve is "OFF" and the heater is cool prior to conducting service.

a

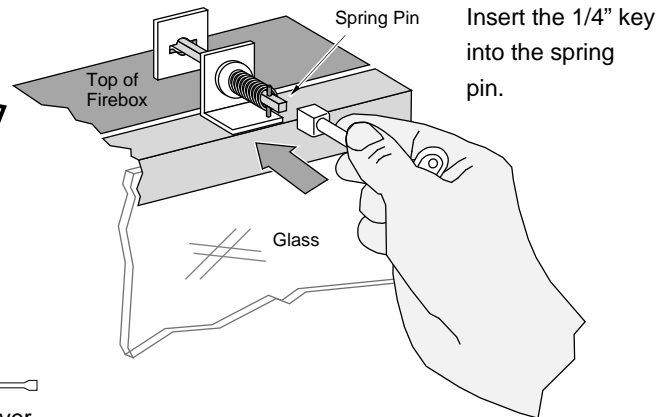
Remove the nuts holding the stove top in place (see the illustration below). Lift the stove top off the stove.

Unscrew the door handle until it disengages. Swing the door open.



b

Open the two latches holding the glass frame in place - follow the directions shown below

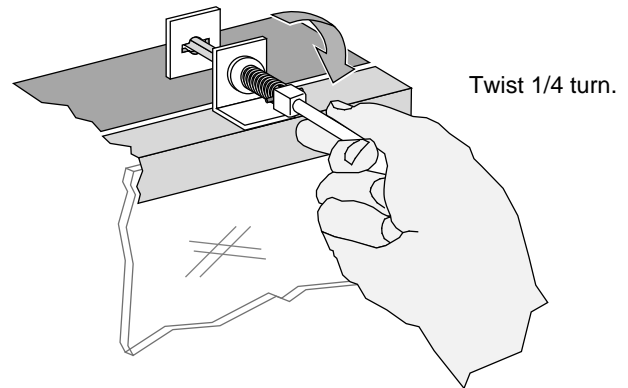
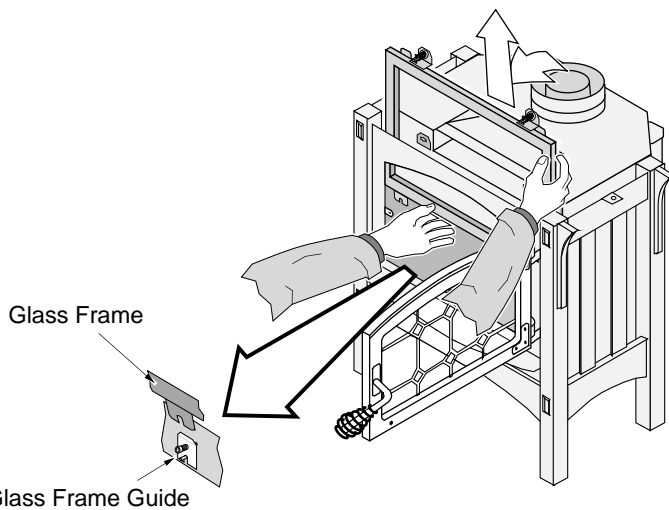


Insert the 1/4" key into the spring pin.

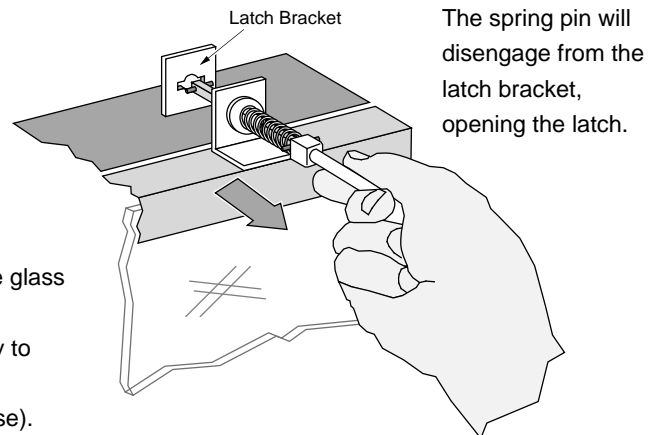
3/8" Nutdriver

c

Lift the glass frame slightly, swing the top forward, then lift the glass frame to disengage it from the bottom guides.



Twist 1/4 turn.



The spring pin will disengage from the latch bracket, opening the latch.

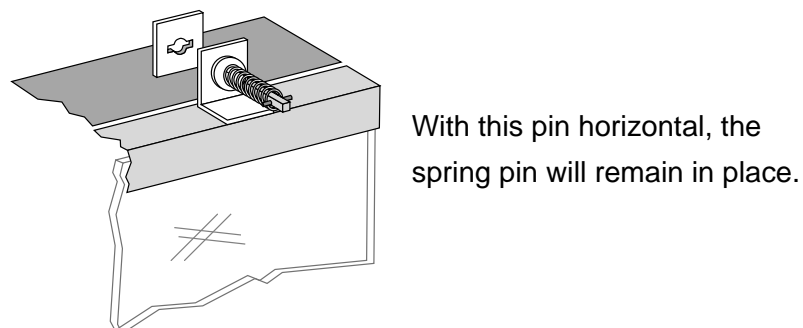
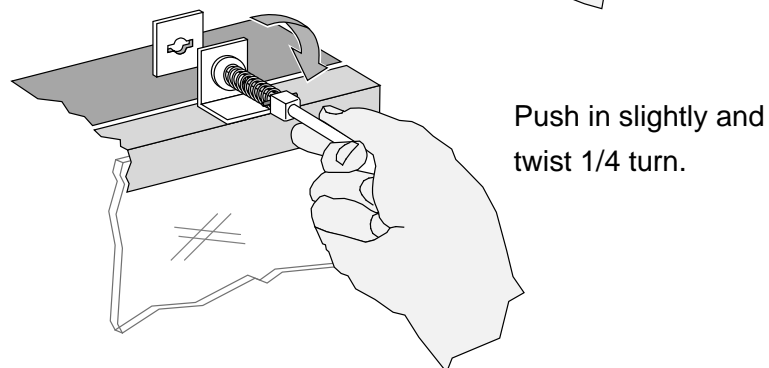
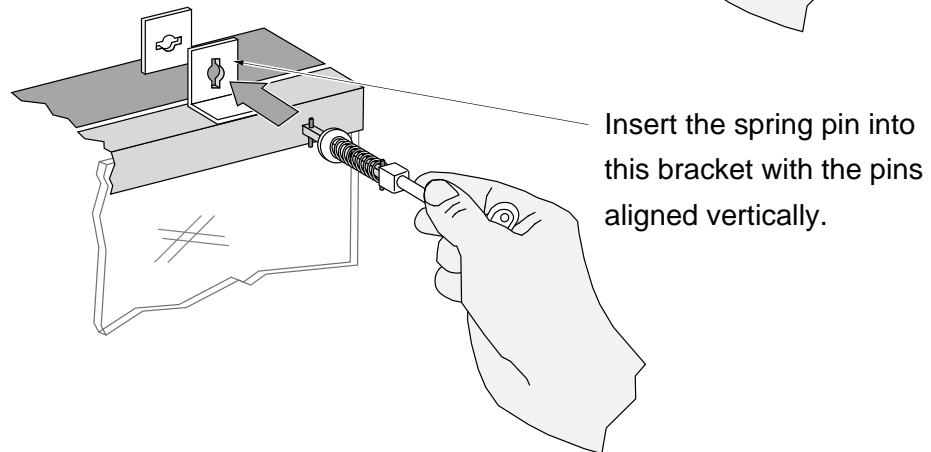
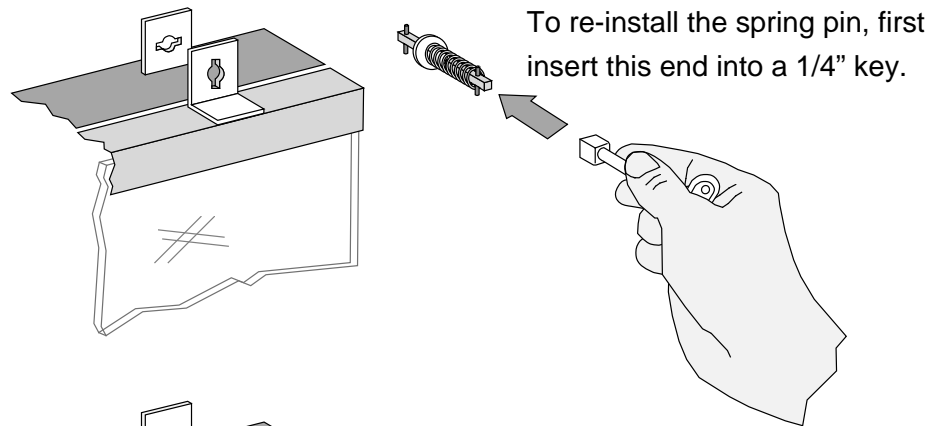
Re-Attaching the Glass Frame:

- Slide the two brackets on the bottom of the glass frame into the glass frame guides (hold the glass frame at a slight angle).
- Swing the glass frame into place - you may have to lift it slightly to allow it to fit over the top of the firebox.
- Attach the upper latches (follow the instructions above in reverse).

Glass Frame Removal and Installation (continued)

The spring pin can come loose from the latch assembly. This occurs when it is turned 1/4 turn when it is disengaged. Follow the directions below to re-install the spring pin if it becomes loose.

NOTE: The spring pins can be installed with the glass frame in place or removed.

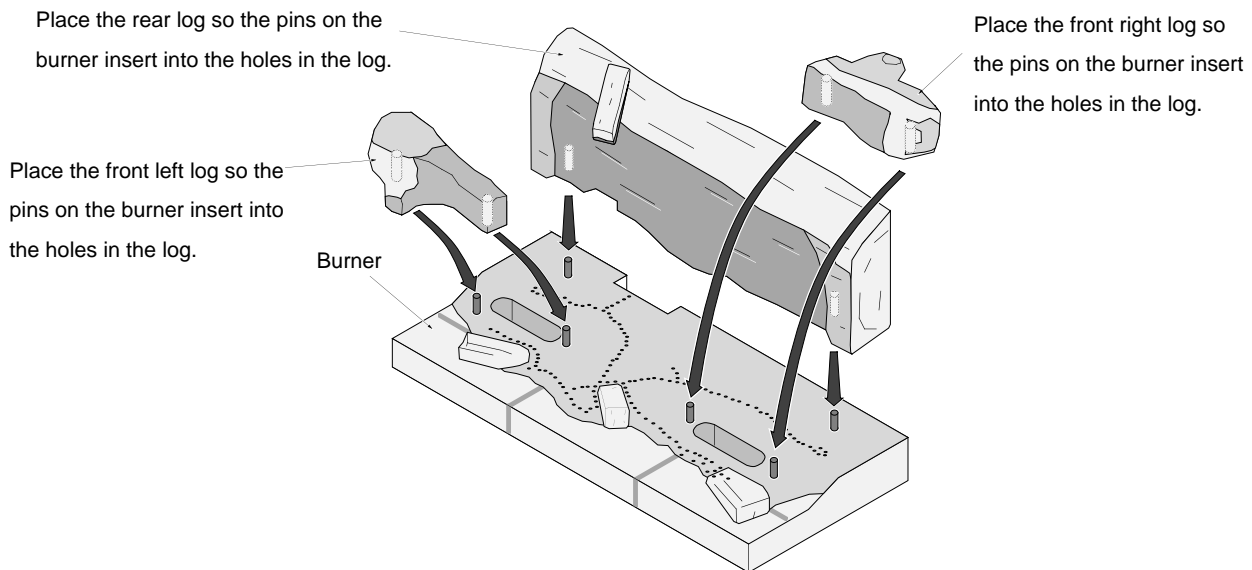


24 Finalizing the Installation (for qualified installers only)

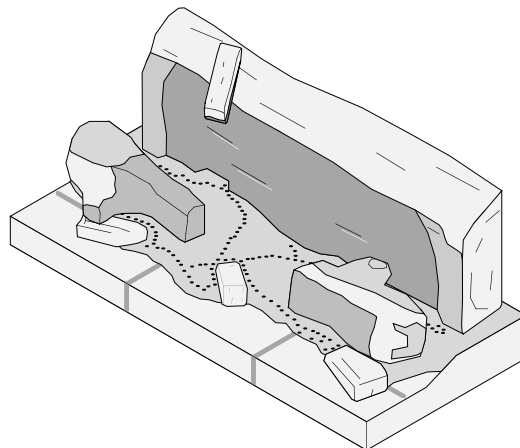
Log Installation

- ! Make sure the gas control valve is "OFF" and the heater is cool prior to conducting service.
- ! Failure to position the parts in accordance with these diagrams or failure to use only parts specifically approved with this appliance may result in property damage or personal injury.

NOTE: The burner must be correctly positioned. Grasp the burner, lift it up, position the gas inlet tube over the burner tube, and slide the burner all the way down (see page 35 for details).



The installed log set should look like this.

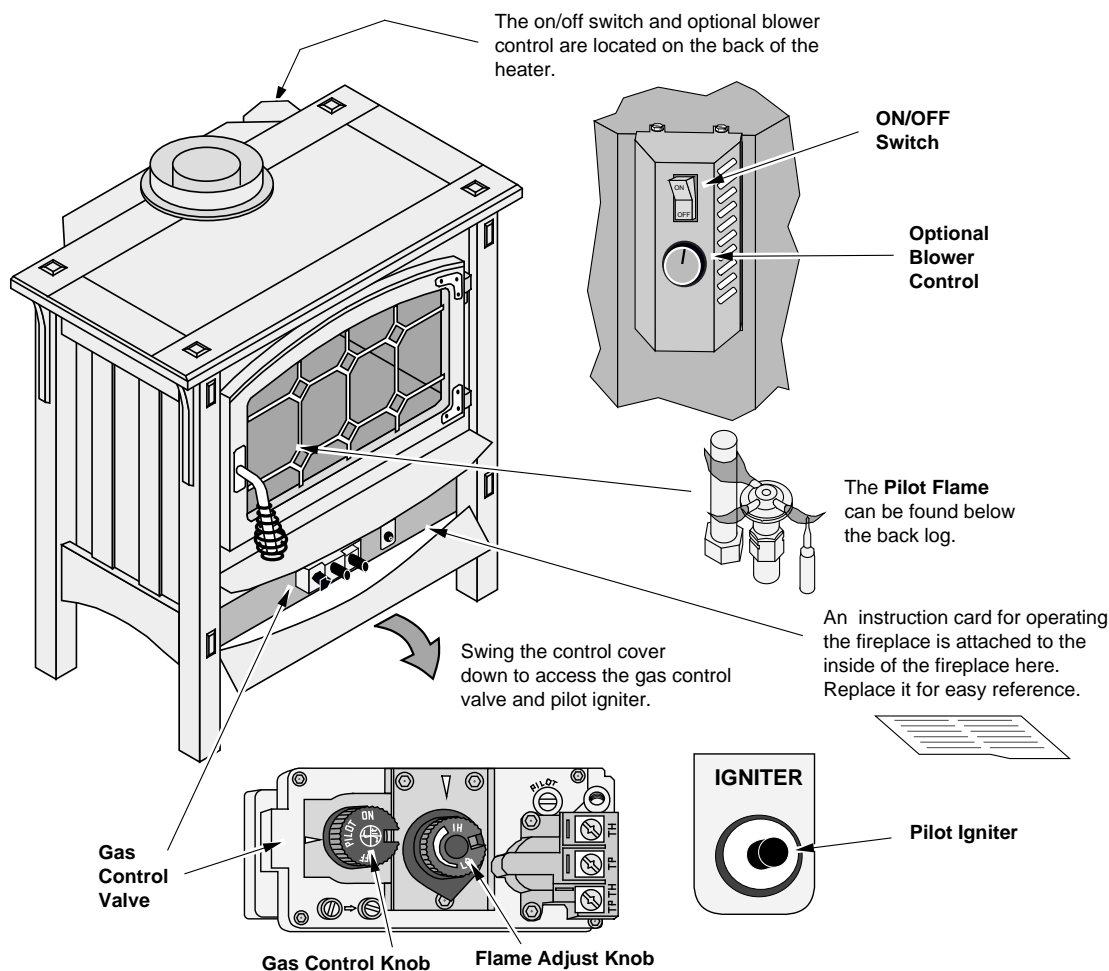


Before You Begin

Warning: Read this entire manual before you use your new stove (especially the section "Safety Precautions" on pages 4 & 5). Failure to follow the instructions may result in property damage, bodily injury, or even death.

Warning: Do not operate appliance with the glass front removed, cracked or broken. Replacement of the glass should be done by a licensed or qualified service person.

Location of Controls - See explanation below



On/Off Switch This control is used to turn the flame on and off.

Optional Blower Control This knob controls the speed of the internal convection blower that pushes heated air into the room.

Gas Control Knob This knob controls gas to the stove and pilot. There are three positions: ON, OFF, and PILOT. The indicator line is to the left of the knob.

Flame Adjust Knob This knob controls the flame height from low ("LO") to high ("HI"). The indicator line is above the knob.

Pilot Igniter The pilot igniter is used only to start the pilot. When pressed, it sends an electrical charge to the pilot assembly. This creates a blue spark directly next to the pilot, igniting the pilot flame.

? If using a remote control or thermostat, the On/Off Switch must be left "OFF". Turning the On/Off Switch "ON" will keep the stove on always.

Starting The Pilot Flame

The pilot flame is required to ignite the main burners (it also plays a safety role). It should be left on once lit. It will stay lit unless the gas control valve is turned to "OFF". However, the pilot will go out if the gas is shut off, the propane tank runs out (or low) or if the stove malfunctions. If the pilot turns off frequently, call your dealer for information. To start the pilot follow the directions below:

WARNING:

When lighting or re-lighting the pilot, the glass must be removed (see page 22).

- Remove the glass (see page 22 for details).
- Push the gas control knob in slightly and turn it to the "OFF" position. The knob will not turn from "ON" to "OFF" unless the knob is depressed slightly. Wait five minutes to let any gas that may have accumulated inside the firebox escape. If you smell leaking gas, follow the directions on the cover "IF YOU SMELL GAS".
- Turn the gas control knob to the "PILOT" position and press the knob in, this will allow gas to flow to the pilot light. Press the button on the pilot igniter repeatedly until you see the pilot light.

WARNING:

If the pilot does not light after 15 seconds, release the knob and call your dealer for service. Do not attempt to light pilot until service has been performed.

NOTE:

You may wish to remove the log set to gain a better view of the pilot (see page 24).

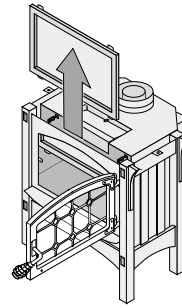
- Keep the gas control knob depressed for 30 seconds once it is lit.
- Release the gas control knob. If the pilot goes out, repeat step C. If the pilot refuses to stay lit, call your dealer for service. With the pilot lit, proceed to step "f".

NOTE:

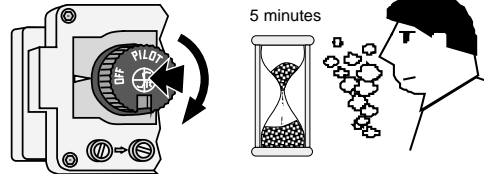
If the gas control knob is turned to "OFF" after the pilot has been lit for several seconds, the knob will not turn. This safety feature prevents gas from entering the firebox.

- Replace the glass.
- Turn the gas control knob counter-clockwise to "ON". The pilot is now lit and the heater can be turned on and off.

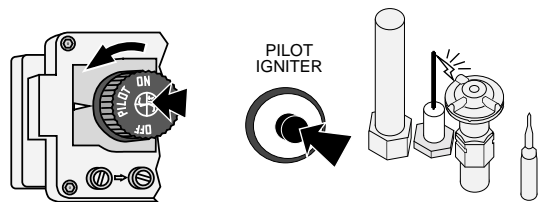
a



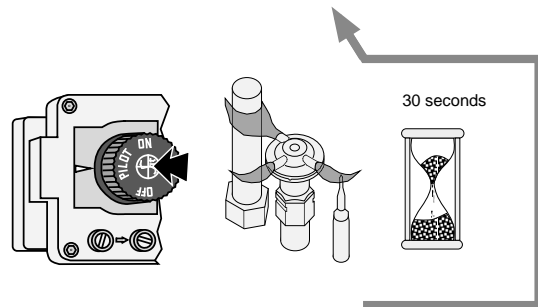
b



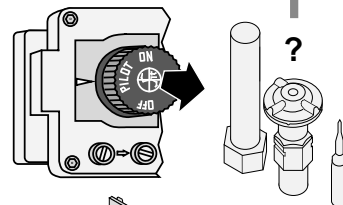
c



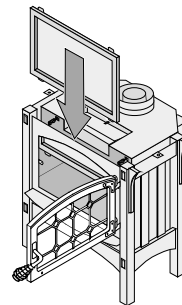
d



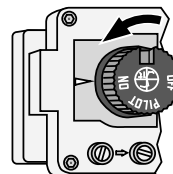
e



f



g



Starting the Stove for the First Time

Fumes from the Painted Surfaces Curing

Burn the heater at a medium setting for approximately one hour the first time. This will cure the painted surfaces. **Fumes** from the paint curing and oil burning off the steel may occur. This is normal. We recommend you open the window to vent the room.

Condensation

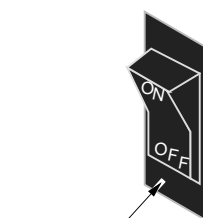
Water may appear on the glass each time you start the heater - this is normal.

Blue Flames

The flames will be blue when first started. After fifteen minutes the flames will turn a more realistic yellow and orange color.

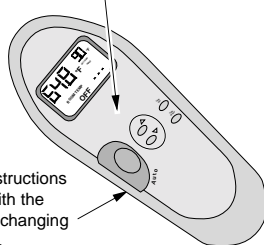
Turning the Stove On and Off

After the pilot has been started...



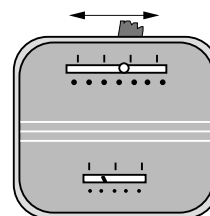
Use this switch to turn the main burner on and off manually.

See the instructions included with the remote for details on operation.



See the instructions included with the remote for changing the battery.

For systems with wall thermostats, use this switch to control the temperature (right is hotter, left cooler). Some systems require the on/off switch to be on.

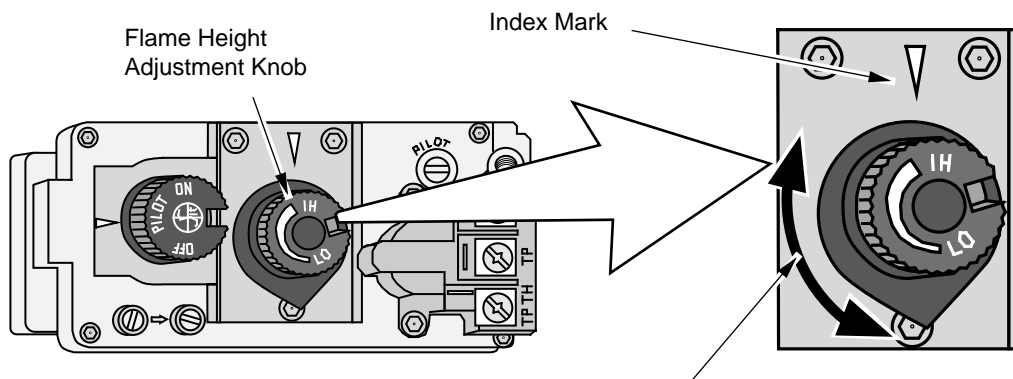


Warning: Do not place combustible items on top or directly in front of the heater, even temporarily. The optional thermostat may start the heater causing a combustible item to ignite.

Note: If the heater turns on and off frequently while using the thermostat, you may want to adjust the flame height down until it produces just enough heat needed.

Adjusting the Flame Height

- + Your stove has an adjustable flame to tailor the look and heat output to your specific needs. It is adjusted by turning the middle dial on the gas control valve.



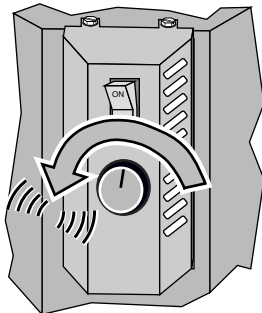
Turn counter-clockwise to adjust the flame higher, clockwise to lower.

Adjusting the Blower Speed (optional)

The blower helps transfer the heat from the heater into the room. It will not turn on until the heater is up to temperature (approximately 10 minutes after starting). See the illustration below for instructions on adjusting the blower speed.

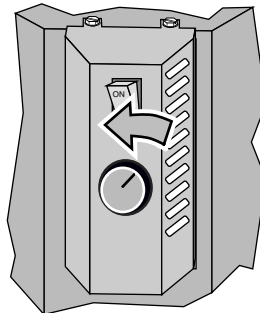
OFF

Turn the dial all the way counter-clockwise until it clicks off.



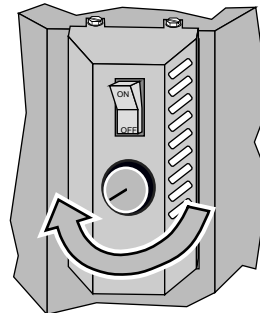
HIGH

The high position is all the way counter-clockwise, **without** clicking off.



LOW

Turn the dial all the way clockwise.



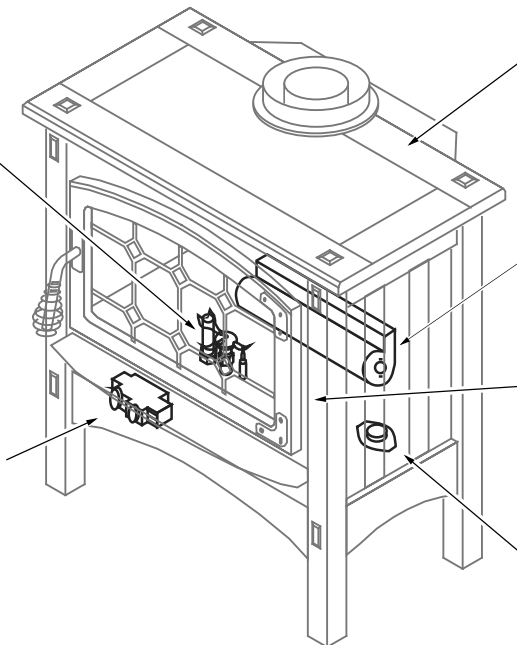
Normal Operating Sounds

Pilot Flame

The pilot flame, which remains on, makes a very slight "whisper" sound.

Gas Control Valve

As the gas control valve is turned on and off you will hear a dull clicking sound. This is the valve opening up and shutting down.



The appliance may creak with change of temperature. THIS IS NORMAL.

Blower

This heater uses a blower to push heated air into the room. You will hear the sound of air movement that increases as the speed is increased.

Extinction Pops

It is not unusual, especially on Propane (LP) appliances, to experience a "pop" when the burner is shut off.

Blower Snap Disk

This part can produce a clicking sound as it turns the blower on and off.

Normal Operating Odors

This appliance has several areas that reach high temperatures. Dust or other particles on these areas may burn and create a burnt-paper smell. This is normal during startup. You may notice the smell is more acute if the appliance was left idle for a long period.

Maintaining Your Stove's Appearance

Painted Surfaces

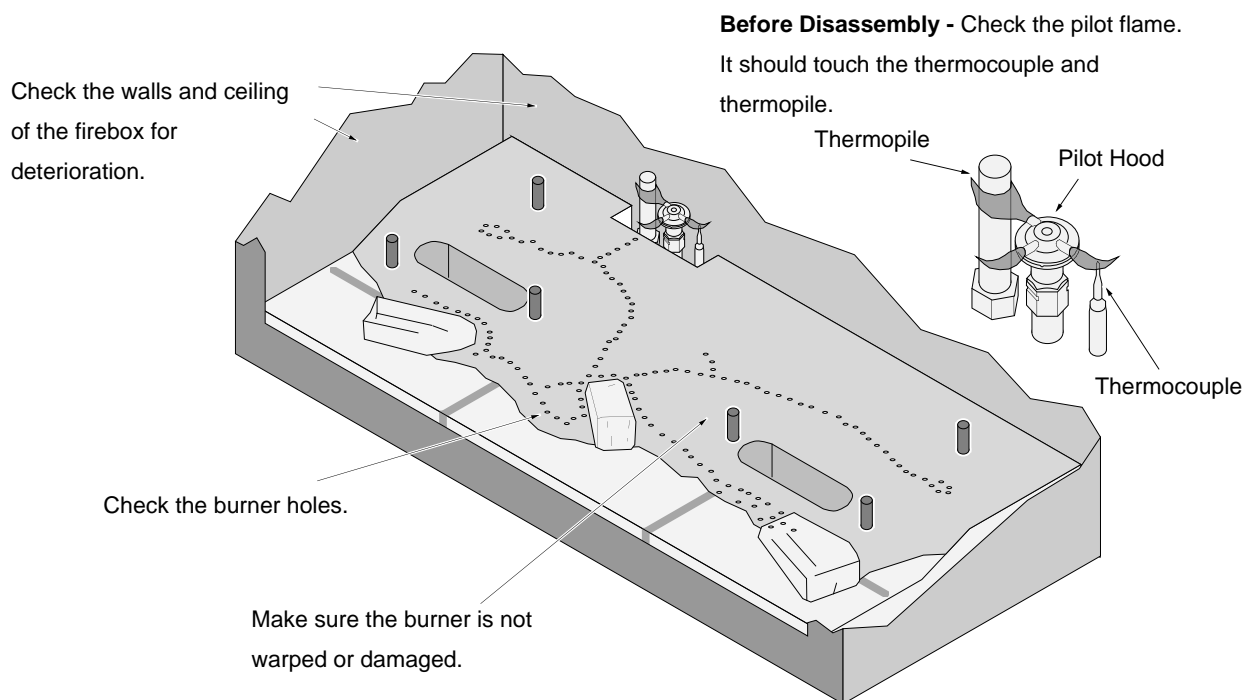
- Painted surfaces should be cleaned with a duster. If scratches occur, lightly sand the area with fine sandpaper. Clean the area and, with the stove cool, apply one or two thin coats of stove paint to the area (mask the area to avoid overspray). Allow the stove to dry, then turn the stove on to cure the paint (1 hour on medium).

Glass

- Clean the glass with soap and water (do not use abrasive cleaners). To remove the glass, follow the instructions on page 22.

Yearly Service Procedure

- ! Failure to inspect and maintain the stove may lead to improper combustion and a potentially dangerous situation. The following procedures must be done by a qualified technician.
- 1 Check the pilot flame. It should touch approximately 3/8" of the top of the thermopile and touch the top of the thermocouple (see illustration below). If it does not, contact your dealer for service.
 - 2 Shut off gas to the stove by turning the gas control knob to "OFF" (see step A under "Starting the Pilot" on page 25). Let the stove cool for 15 minutes. Remove the glass (see pages 22).
 - 3 Remove the log set (**NOTE: the logs are very fragile** - see page 24). If severely deteriorated, replace. Check the logs for sooting. A small amount of soot along the bottom of the logs is normal. If excessive sooting is found, the stove will require adjustment. Contact your dealer.
 - 4 Inspect the firebox for the following:
 - Check the burner for cracked, plugged, or deteriorated holes.
 - Check the firebox and area around the pilot to make sure there is no warping or damage.
 - If any problem is found, discontinue use and contact your dealer for service.



- 5 Replace the log set. Replace the glass (if the glass is damaged, replace it). Make sure the gasket along the perimeter of the glass contacts the face of the firebox and forms an air-tight seal. If it does not, re-align or replace the gasket to insure an air-tight seal. Replace the face.
- 6 Inspect the area behind the access door. Clean if necessary. Check the gas control valve and the gas lines. If any damage is found, discontinue use and contact your dealer for service. Clean the air channels and ducts.
- 7 Follow the instructions for starting the pilot and turn on the main burner. The flames should be orange/yellow and not sooty. If the pilot or main burners do not burn correctly, contact your dealer for service.
- 8 Inspect the vent section. Damaged sections should be replaced. Remove any debris or vegetation near the vent termination. Contact your dealer if any sooting or deterioration is found near the vent termination.

Troubleshooting Table

| Problem: | Possible Cause: | Don't Call for Service Until You: |
|--|---|---|
| Pilot Will Not Light | A gas shut off valve is turned off _____ The gas control knob isn't turned to "PILOT" _____ The valve control knob isn't pushed in _____ The igniter wasn't pressed repeatedly _____ No Propane in Tank _____ | Check all gas shut off valves See "Starting the Pilot Light" Step C See "Starting the Pilot Light" Step C See "Starting the Pilot Light" Step C Check Tank Level |
| Main Burners Will Not Start | The pilot light has gone out _____ The gas control valve is turned to "PILOT" or "OFF" _____ The ON/OFF switch is turned to "OFF" _____ The remote control is not working correctly _____ The thermostat is set too low _____ | See "Starting the Pilot Light" See "Starting the Pilot Light" Turn the ON/OFF switch to "ON" See the remote control instructions Set thermostat to higher temperature |
| Remote Control Does Not Work | The pilot light has gone out _____ The gas control valve is turned to "PILOT" or "OFF" _____ ON/OFF switch is turned to "ON" (stove stays on), _____ The remote is too far away from the stove _____ The remote control receiver is turned "Off" _____ One of the two remote control batteries is dead _____ | See "Starting the Pilot Light" See "Starting the Pilot Light" Turn the ON/OFF switch to "OFF" Use the remote closer to the stove See the remote control instructions See the remote control instructions |
| Thermostat Does Not Work | The pilot light has gone out _____ The gas control valve is turned to "PILOT" or "OFF" _____ ON/OFF switch is turned to "ON" (stove stays on), _____ The thermostat is set too low _____ | See "Starting the Pilot Light" See "Starting the Pilot Light" Turn the ON/OFF switch to "OFF" Set thermostat to higher temperature |
| Optional Blower Does Not Work | The stove is not getting electricity _____ The stove is not up to temperature _____ | Check the breaker switch See "Operating Your Stove" |
| Pilot Goes Out Once A Month Or More | The gas supply has been shut off _____ | Keep the gas supply turned on |
| Flames Are Too Blue | The stove has just been started _____ Improper air shutter adjustment _____ | This is normal - see "Starting the Stove for the First Time" Adjust Air Shutter - contact your dealer |
| Flames Are Too Short (Under 6") | The flame height may be turned too low _____ | Turn the flame height to "HI" - See "Adjusting the Flame Height" |
| Thin Layer of Soot Covers the Glass | The logs or coals are placed incorrectly _____ Improper air shutter adjustment _____ | See "Log Set Installation & Removal" Adjust Air Shutter - contact your dealer |

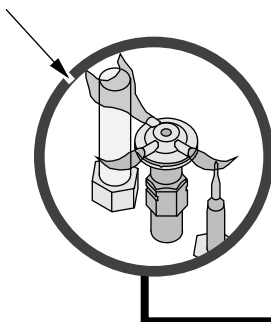
How this Stove Works

! This stove was designed with safety as the primary concern. Many of the components inside this stove are for safety purposes. Therefore, only certified gas service technicians should service this stove.

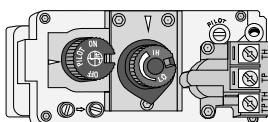
What Turns the Main Burners On and Off

This stove uses a millivolt system to control its operation (a millivolt is a very small amount of electricity). The thermopile and thermocouple generate electricity when heated by the pilot flame. This electricity is used to operate the gas valve. Without enough electricity, the gas valve will not turn on. That is why when starting the pilot the gas control knob has to be pressed in long enough for the thermocouple to heat up and generate enough electricity. The thermopile provides power for the ON/OFF switch, remote control, or thermostat (see the illustration below). Because the thermopile generates the electricity needed to turn the stove on and off, this stove can be operated when the power is out (although the blower will not run).

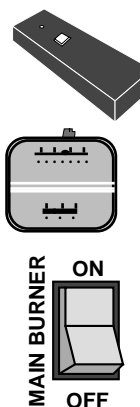
When heated, the thermopile generates electricity (a very small amount measured in "Millivolts").



This electricity is used to operate the main burners.



The main burners are switched on and off using the electricity generated by the thermopile. The ON/OFF switch, remote control, or thermostat control the circuit to the main burner.

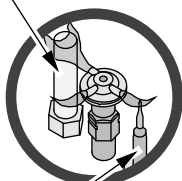


What Prevents Gas Buildup

- + This appliance utilizes a high-technology gas valve in conjunction with a pilot flame to ensure no gas builds up inside the firebox.
- + The thermocouple (next to the pilot) senses when the pilot flame is lit. If the pilot flame goes out, this thermocouple no longer generates electricity, causing the gas valve to automatically shut off all gas to the heater, preventing the pilot from spilling gas into the firebox.

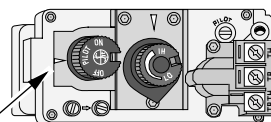
Pilot Flame

The pilot flame is a time-proven component that eliminates the possibility of gas buildup inside the firebox.



Gas Valve

This high-technology valve automatically shuts off all gas if it does not receive a signal from the thermocouple. If any component is damaged or sensing a malfunction, or if the wiring is damaged, it will shut off all gas.



External Shut Off Valve

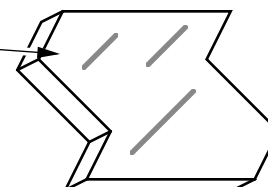
This valve is placed on the gas line to shut off gas to the appliance during maintenance procedures.

Thermocouple

The thermocouple generates a small amount of electricity. If the pilot flame goes out, the gas valve automatically shuts off all gas.

Ceramic Glass

The glass in your heater is the most durable glass available. It has been tested to be extremely resistant to breakage from temperature changes.

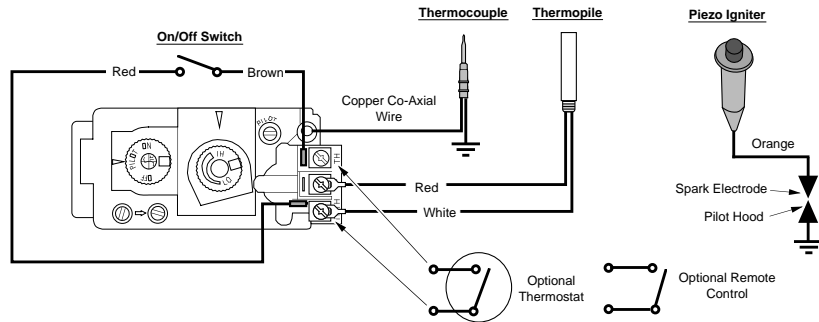


32 Maintenance (for qualified service personnel only)

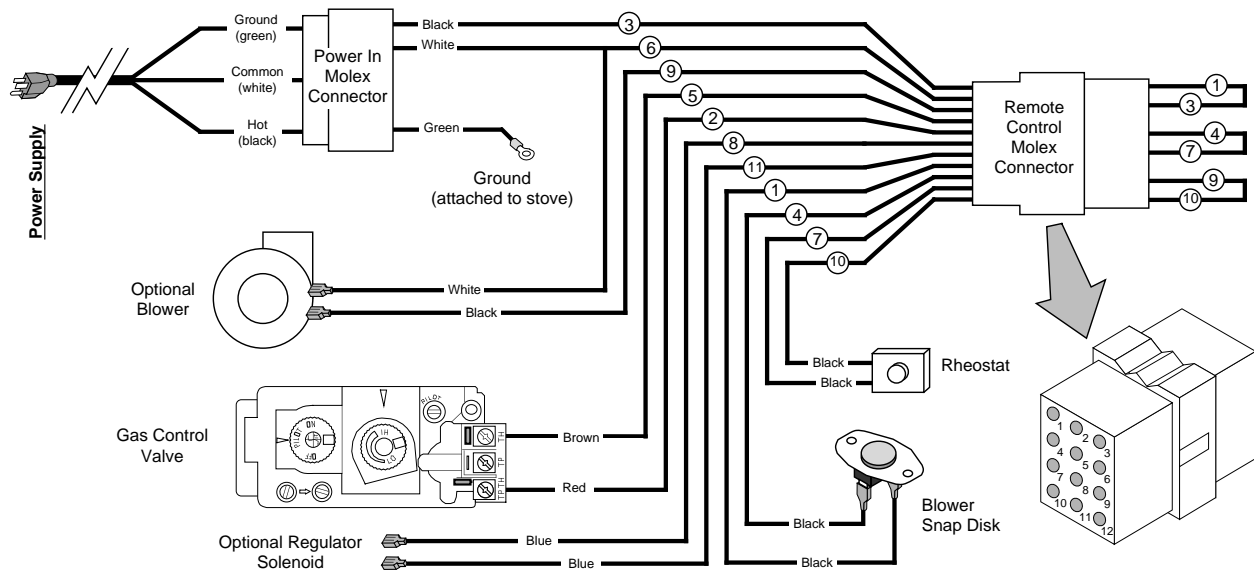
Wiring Diagram

Caution: Label all wires prior to disconnection when servicing controls. Wiring errors can cause improper and dangerous operation.

Millivolt Wiring (for gas control valve)



120 Volt Wiring



Replacement Parts List

Caution: Use only Travis Industries replacement parts. Do not use substitute materials.

| Description | Part # |
|----------------------------------|----------|
| Air Shutter Assembly | 93006512 |
| Air Shutter Control Rod | 93006514 |
| Burner Assembly | |
| Burner Mixing Tube | 93006511 |
| Control Valve, Natural Gas | 93006506 |
| Control Valve, Propane | 93006507 |
| Conversion Parts, LP | 93006503 |
| Conversion Parts, NG | 93006502 |
| Knob, for Rheostat | 99300657 |
| Log, Left | 93006901 |
| Log, Rear | 93006902 |
| Log, Right | 93006903 |
| Log Set | 93006900 |
| Manual, Prairie | 93508115 |
| Piezo Igniter | 98900751 |
| Regulator, Natural Gas | 93006500 |
| Regulator, Propane | 93006501 |
| Rheostat, Blower w/ Off Position | 93006504 |
| Wiring Harness | 93006505 |

The safety (listing) label is on back of the stove. A copy of the safety label is shown below.

Tested & Listed By  Beaverton Oregon USA
 OMNI-Test Laboratories, Inc.
 Report No. 028-S-28-5
 Certified for USA & Canada



Prairie
 Vented Gas
 Fireplace Heater



Tested to: ANSI Z21.88b-1999/CSA 2.33-M99 "Vented Gas Fireplace Heater", CAN/CGA 2.17-M91 "Gas-Fired Appliances for use at High Altitudes", and UL307b-1995 "Gas Burning Heating Appliances for Manufactured Homes"

Must be installed in accordance with the manufacturer's installation instructions and all local codes, if any; if not, follow current ANSI Z223.1, NFPA 54 and CGA B149. This vented gas fireplace heater is equipped at the factory for use with natural gas. If conversion to propane (LP) fuel is desired, the optional factory conversion kit must be used. This appliance uses a millivolt-type control system consisting of a gas control valve/regulator, a standing pilot burner assembly, a thermopile, a piezo ignitor, and the ON/OFF switch. THIS UNIT DOES NOT REQUIRE 110 VOLT POWER TO OPERATE. All exhaust gases must be vented outside the structure of the living-area. Combustion air is drawn from outside the living-area structure. This appliance is only for use with the type of gas indicated on the rating plate and may be installed in an aftermarket, permanently located, manufactured (mobile) home where not prohibited by local codes. See owner's manual for details. This appliance is not convertible for use with other gases, unless a certified kit is used. May be installed in a bedroom - in Canada install with a listed thermostat, in the USA install per local codes.

This vented gas fireplace heater is not for use with air filters.

WARNINGS:

Improper installation, adjustment, alteration, service or maintenance can cause injury or property damage. Refer to the information in the owner's and installation manual provided with this appliance. For assistance or additional information consult a qualified installer, service agency or the gas supplier.

Installation and repair should be performed by a qualified service person. The appliance should be inspected before use and at least annually by a qualified service person. More frequent cleaning may be required where excessive lint from material like carpeting and bedding is present. The control compartment, the burner compartment and all circulating air passageways of the appliance must be kept clean and clear at all times. See installation instructions accompanying appliance.

Due to high temperatures, the appliance should be located out of traffic and away from furniture and draperies.

This appliance must not be connected to a chimney flue servicing a separate solid fuel burning appliance.

Operation of this appliance when not connected to a properly installed and maintained venting system or tampering with the blocked vent shutoff system can result in carbon monoxide (CO) poisoning and possible death.

Vented gas fireplace heater - Not for use with solid fuel.

Children and adults should be alerted to the hazards of high surface temperature and should stay away to avoid flesh burns or clothing ignition. Young children should be carefully supervised at all times when they are in the same room as the appliance.

CAUTION:

Do not operate this appliance with glass removed, cracked or broken. Replacement of the panel(s) should be done by a licensed or qualified service person.

Hot while in operation. Do not touch. Keep children, clothing, furniture, gasoline and other liquids having flammable vapors away.

Risk of electrical shock. Switch the household breaker off or remove fuse before servicing unit.

Use Simpson DURA-VENT direct vent system (Model GS) to vent this appliance to the exterior (direct discharge only without duct connection).

Minimum Clearances to Combustibles

| | | | |
|-------------------------------|--------|--------------------------|-----|
| Stove Top to Sidewall | 9-1/2" | Alcove Min. Height | 58" |
| Stove Top to Backwall | 5" | Alcove Max. Depth | 45" |
| Stove Top to Cornerwall | 5" | Alcove Min Width | 47" |
| Glass Front of Unit | 36" | | |

| | <u>L.P.</u> | <u>N.G.</u> | | <u>L.P.</u> | <u>N.G.</u> |
|------------------------------------|-------------|-------------|---|-------------|-------------|
| Input Rate on "HI" (BTU/Hr)* | 31,000 | 31,000 | Minimum Inlet Pressure (inches W.C.) | 11" | 5.5" |
| Input Rate on "LO" (BTU/Hr)* | 23,000 | 24,900 | Maximum Inlet Pressure (inches W.C.) | 13" | 7" |
| | | | Manifold Pressure on "HI" (inches W.C.) | 10" | 3.5" |

This appliance is equipped only for altitudes 0-2000 ft. (0-610 m) in USA; in Canada, 0-4500 ft. (0-1370 m).

Electrical Rating: 115v, 1.5 Amps, 60 Hz

Manufacture Date: 2000 Jan. Apr. Jul. Oct.
 2001 Feb. May Aug. Nov.
 2002 Mar. Jun. Sep. Dec.



0380

Limited 7 Year Warranty

To register your TRAVIS INDUSTRIES, INC. 7 Year Warranty, complete the enclosed warranty card and mail it within **ten (10)** days of the appliance purchase date to: TRAVIS INDUSTRIES, INC., 4800 Harbour Pointe Blvd. SW, Mukilteo, WA 98275. TRAVIS INDUSTRIES, INC. warrants this gas appliance (appliance is defined as the equipment manufactured by Travis Industries, Inc.) to be defect-free in material and workmanship to the original purchaser from the date of purchase as follows:

**Check with your dealer in advance for any costs to you when arranging a warranty call.
Mileage or service charges are not covered by this warranty. This charge can vary from store to store.**

Years 1 & 2 - COVERAGE: PARTS & LABOR

Burner Assembly:

Burner Pan, Mixing Tube, Air Shutter Assembly, Main Burner Orifice

Firebox Assembly:

Adjustable Air Restrictor, Pressure Relief Mechanisms (direct vents only), Glass Attachment Mechanism

Gas Control Assembly

Adjustable control valve, millivolt wiring and connectors (located within the metal heater structure), thermopile, thermocouple, pilot hood, orifices, pilot gas line, piezo ignitor

Exclusions: Paint, Gasketing, Enamel Finish, Stone Inserts

Cast Iron Shell

Cast Sides, Front, Top, Bottom, & Legs

Ceramic Glass

Glass (breakage from thermal shock)

Ceramic Logs

Log Set

Electrical Assembly:

Blower, wiring harness, snap discs, rheostat speed control

Convection Heat Exchanger

Re-Installation Allowance

In cases where heater must be removed from home for repairs, a partial cost of re-installation is covered (pre-authorization required)

One-Way Freight Allowance

One-way freight allowance on pre-authorized repair done at factory is covered.

Years 3 THROUGH 5 - COVERAGE: PARTS & LABOR

Firebox Assembly:

Adjustable Air Restrictor, Pressure Relief Mechanisms (direct vents only), Glass Attachment Mechanism

One-Way Freight Allowance

One-way freight allowance on pre-authorized repair done at factory is covered.

Cast Iron Shell

Cast Sides, Front, Top, Bottom, & Legs

Convection Heat Exchanger

Exclusions: Paint, Gasketing, Enamel Finish, Stone Inserts, Burner Assembly, Electrical Assembly, Gas Control Assembly, Ceramic Glass, Ceramic Logs, Re-Installation Allowance

Years 6 & 7 - COVERAGE: PARTS ONLY

Firebox Assembly:

Adjustable Air Restrictor, Pressure Relief Mechanisms, Glass Attachment Mechanism

Cast Iron Shell

Cast Sides, Front, Top, Bottom, & Legs

Exclusions: Paint, Gasketing, Enamel Finish, Stone Inserts, Burner Assembly, Electrical Assembly, Gas Control Assembly, Ceramic Glass, Ceramic Logs, Convection Heat Exchanger, Re-Installation Allowance, One-Way Freight Allowance, Labor

CONDITIONS & EXCLUSIONS

- This new gas appliance must be installed by a qualified gas appliance technician. It must be installed, operated, and maintained at all times in accordance with the instructions in the Owner's Manual. Any alteration, willful abuse, accident, neglect, or misuse of the product shall nullify this warranty.
- This warranty is nontransferable, and is made to the ORIGINAL purchaser, provided that the purchase was made through an authorized TRAVIS dealer.
- Discoloration and some minor expansion, contraction, or movement of certain parts and resulting noise, is normal and not a defect and, therefore, not covered under warranty. The installer must ensure the appliance is burning as per the rating tag at the time of installation. Over-firing (operation above the listed BTU rate) of this appliance can cause serious damage and will nullify this warranty.
- The warranty, as outlined within this document, does not apply to the chimney components or other Non-Travis accessories used in conjunction with the installation of this product. If in doubt as to the extent of this warranty, contact your authorized TRAVIS retailer before installation.
- Travis Industries will not be responsible for inadequate performance caused by environmental conditions such as nearby trees, buildings, roof tops, wind, hills or mountains or negative pressure or other influences from mechanical systems such as furnaces, fans, clothes dryers, etc.
- This Warranty is void if:
 - The unit has been operated in atmospheres contaminated by chlorine, fluorine or other damaging chemicals.
 - The unit is subject to submersion in water or prolonged periods of dampness or condensation.
 - Any damage to the unit, combustion chamber, heat exchanger or other components due to water, or weather damage which is the result of, but not limited to, improper chimney/venting installation.
- Exclusions to this 7 Year Warranty include: injury, loss of use, damage, failure to function due to accident, negligence, misuse, improper installation, alteration or adjustment of the manufacturer's settings of components, lack of proper and regular maintenance, damage incurred while the appliance is in transit, alteration, or act of God.
- This 7 Year warranty excludes damage caused by normal wear and tear, such as paint discoloration or chipping, worn or torn gasketing, corroded or cracked logs, embers, etc. Also excluded is damage to the unit caused by abuse, improper installation, modification of the unit, drilling of the orifices, or the use of fuel other than that for which the unit is configured. Units are shipped for natural gas and must be converted to propane using the included conversion kit. Confirm fuel configuration with your installer.
- Damage to gold, nickel, or brass surfaces caused by fingerprints, scratches, melted items, or other external sources left on the surface is not covered in this warranty. Damage from the use of cleaners other than denatured alcohol on gold or nickel is not covered in this warranty. Damage from the use of abrasive cleaners on brass is not covered in this warranty.
- TRAVIS INDUSTRIES, INC. is free of liability for any damages caused by the appliance, as well as inconvenience expenses and materials. Incidental or consequential damages are not covered by this warranty. In some states, the exclusion of incidental or consequential damage may not apply.
- This warranty does not cover any loss or damage incurred by the use or removal of any component or apparatus to or from the gas appliance without the express written permission of TRAVIS INDUSTRIES, INC. and bearing a TRAVIS INDUSTRIES, INC. label of approval.
- Any statement or representation of TRAVIS products and their performance contained in TRAVIS advertising, packaging literature, or printed material is not part of this 7 year warranty.
- This warranty is automatically voided if the appliance's serial number has been removed or altered in any way. If the appliance is used for commercial purposes, it is excluded from this warranty.
- No dealer, distributor, or similar person has the authority to represent or warrant TRAVIS products beyond the terms contained within this warranty. TRAVIS INDUSTRIES, INC. assumes no liability for such warranties or representations.
- Travis Industries will not cover the cost of the removal or re-installation of hearths, facing, mantels, venting or other components.
- If for any reason any section of this warranty is declared invalid, the balance of the warranty remains in effect and all other clauses shall remain in effect.
- THIS 7 YEAR WARRANTY IS THE ONLY WARRANTY SUPPLIED BY TRAVIS INDUSTRIES, INC., THE MANUFACTURER OF THE APPLIANCE. ALL OTHER WARRANTIES, WHETHER EXPRESS OR IMPLIED, ARE HEREBY EXPRESSLY DISCLAIMED AND PURCHASER'S RECOURSE IS EXPRESSLY LIMITED TO THE WARRANTIES SET FORTH HEREIN.**

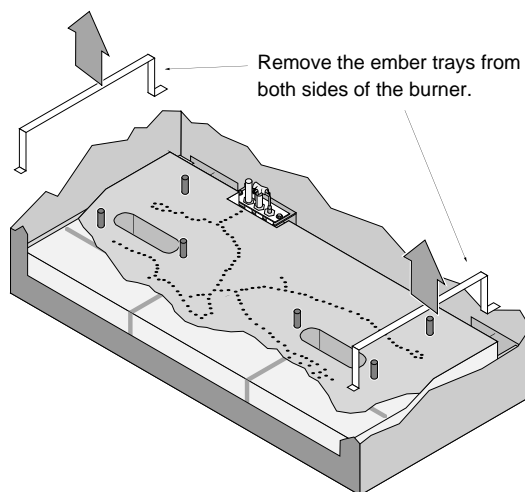
IF WARRANTY SERVICE IS NEEDED:

- If you discover a problem that you believe is covered by this warranty, you **MUST REPORT** it to your TRAVIS dealer **WITHIN 30 DAYS**, giving them proof of purchase, the purchase date, and the model name and serial number.
- Travis Industries has the option of either repairing or replacing the defective component.
- If your dealer is unable to repair your appliance's defect, he may process a warranty claim through TRAVIS INDUSTRIES, INC., including the name of the dealership where you purchased the appliance, a copy of your receipt showing the date of the appliance's purchase, and the serial number on your appliance. At that time, you may be asked to ship your appliance, freight charges prepaid, to TRAVIS INDUSTRIES, INC. TRAVIS INDUSTRIES, INC., at its option, will repair or replace, free of charge, your TRAVIS appliance if it is found to be defective in material or workmanship within the time frame stated within this 7 year warranty. TRAVIS INDUSTRIES, INC. will return your appliance, freight charges (years 1 to 5) prepaid by TRAVIS INDUSTRIES, INC., to your regional distributor, or dealership.
- Check with your dealer in advance for any costs to you when arranging a warranty call. Mileage or service charges are not covered by this warranty. This charge can vary from store to store.

LP Conversion Instructions

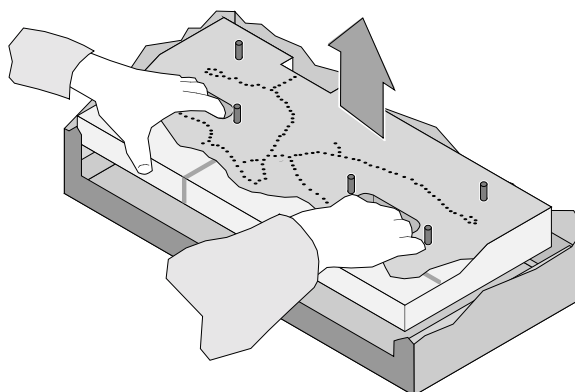
Install the conversion kit prior to installing the gas line to ensure proper gas use.

- 1 Remove the face and glass (see page 22). Remove the log set (if installed - page 24)
- 2 Remove the burner (see illustration below).



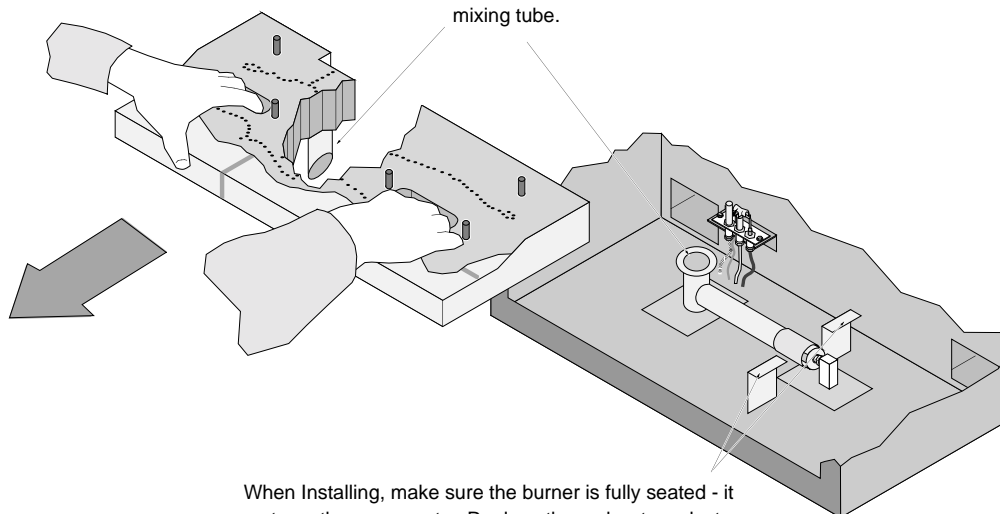
Reach into the firebox and lift the burner upwards.

Do not lift burner out by the pins.



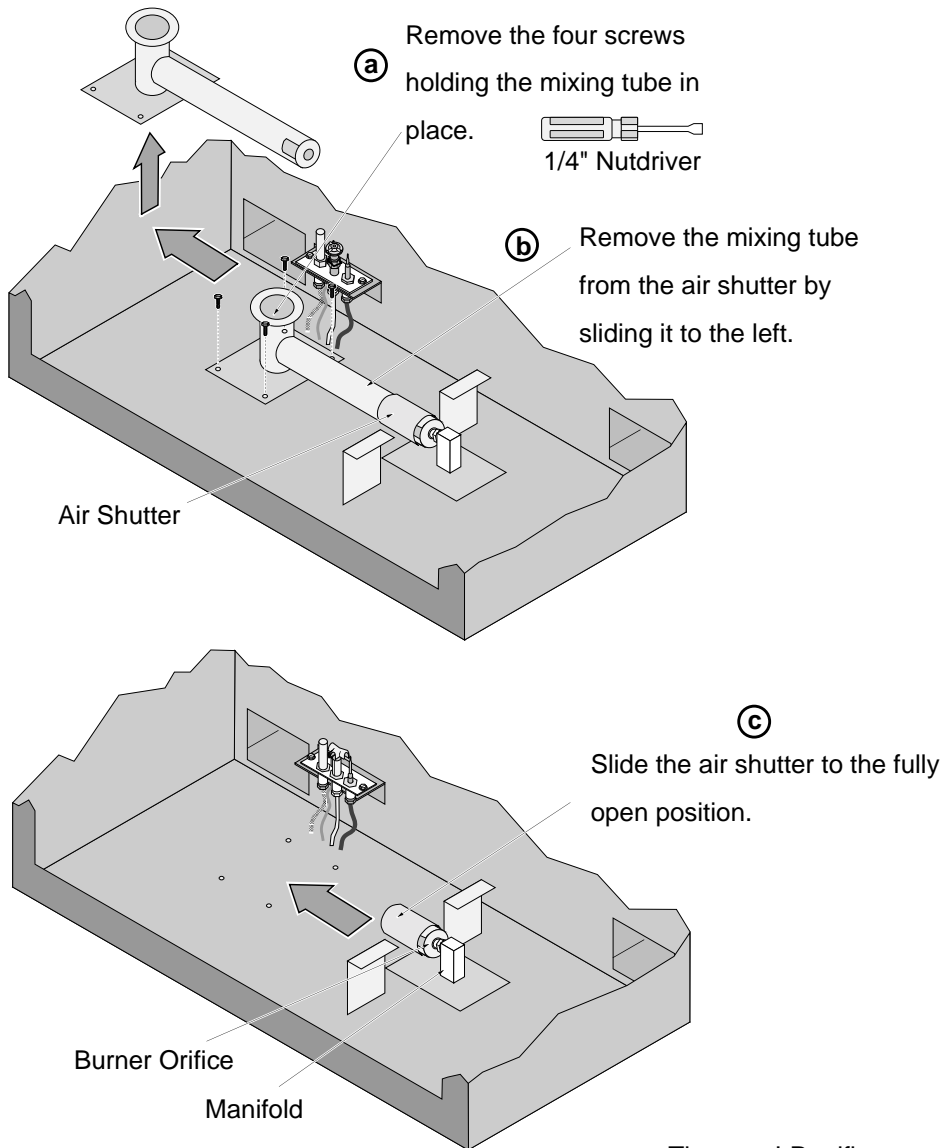
Pull the burner forward, out of the firebox.

This tube on the burner inserts into this tube on the mixing tube.

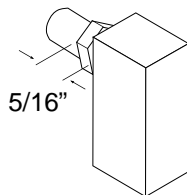
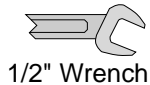


36 Optional Equipment (for qualified installers only)

- 3 Follow the directions below to remove the natural gas orifice. Apply thread sealant to the LP orifice (it has ".062" stamped on it) and tighten in place with a 1/2" open end wrench. Replace and secure the mixing tube.



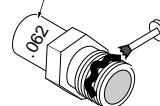
- (d) Use a 1/2" open end wrench to unscrew the burner orifice.



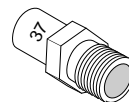
NOTE:

Screw the LP orifice in so the orifice shoulder protrudes 5/16" (indicating full insertion).

The new LP orifice has ".062" stamped on it.



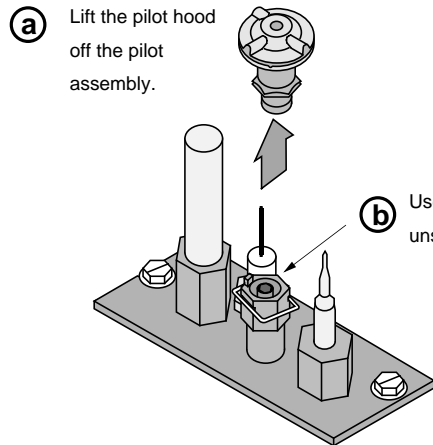
- (e) Apply thread sealant to the new orifice and install.



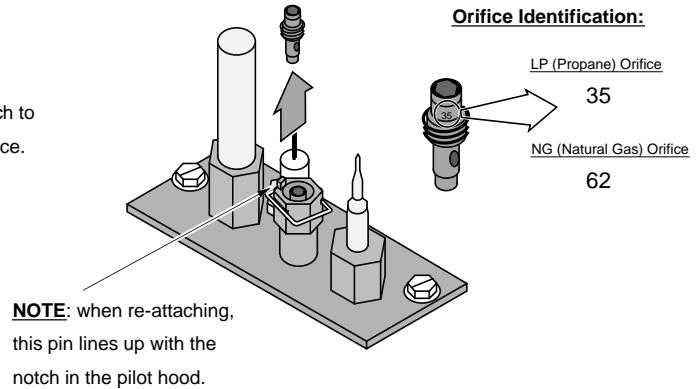
The old NG orifice has "37" stamped on it.

Optional Equipment (for qualified installers only) 37

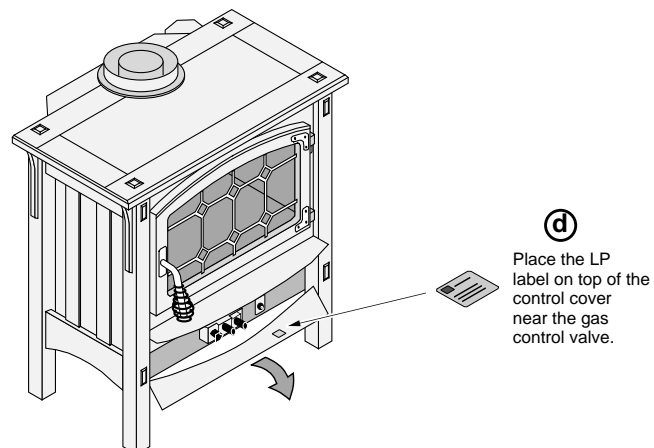
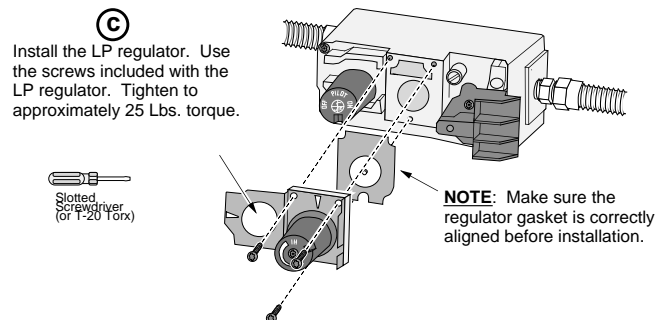
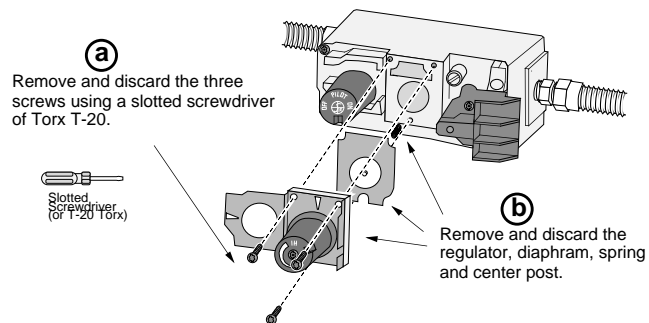
- 4 Remove the pilot orifice following the instructions below. Replace with the propane pilot orifice. The propane conversion kit includes pilot orifice with "35" stamped on it. Replace burner pan.



- c** Remove the orifice and replace with the LP orifice. Screw the orifice all the way in and replace the pilot assembly.



- 5 Remove the regulator from the front of the gas control valve. Replace with the propane regulator, using the new gasket and screws with the regulator. **NOTE: Leak test this area after the heater is installed, gas is connected, and the main burner is lit.**

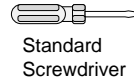


38 Optional Equipment (for qualified installers only)

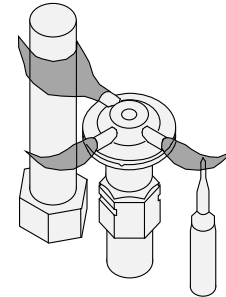
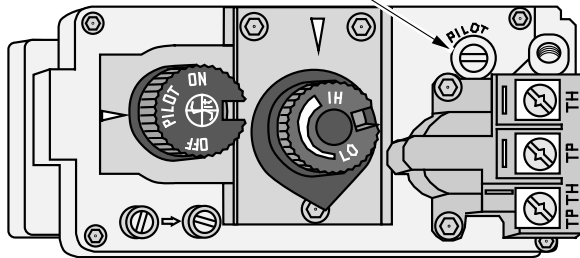
- 6 Make the gas line connection, bleed the gas line (if applicable), start the heater and thoroughly leak-test all gas connections and the gas control valve. Check the pilot. Adjust if necessary.

WARNING: When lighting or re-lighting the pilot, the glass must be removed (see page 22).

To adjust the pilot flame, turn this screw (NOTE: if totally unscrewed gas will come out of this port). Clockwise lowers the flame while counter-clockwise raises it.



The pilot flame must contact the thermocouple and thermopile (see the illustration below). Adjust the pilot up or down as necessary.

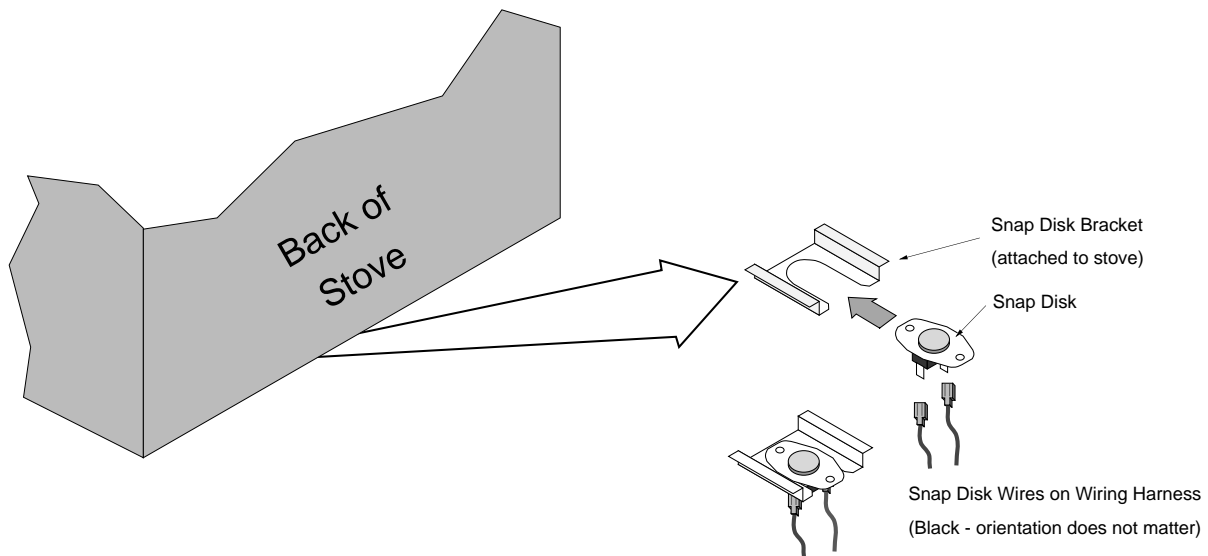


- 7 Install the log set (see page 24).
- 8 Replace the glass (see page 22).

Blower (part # 99000153)

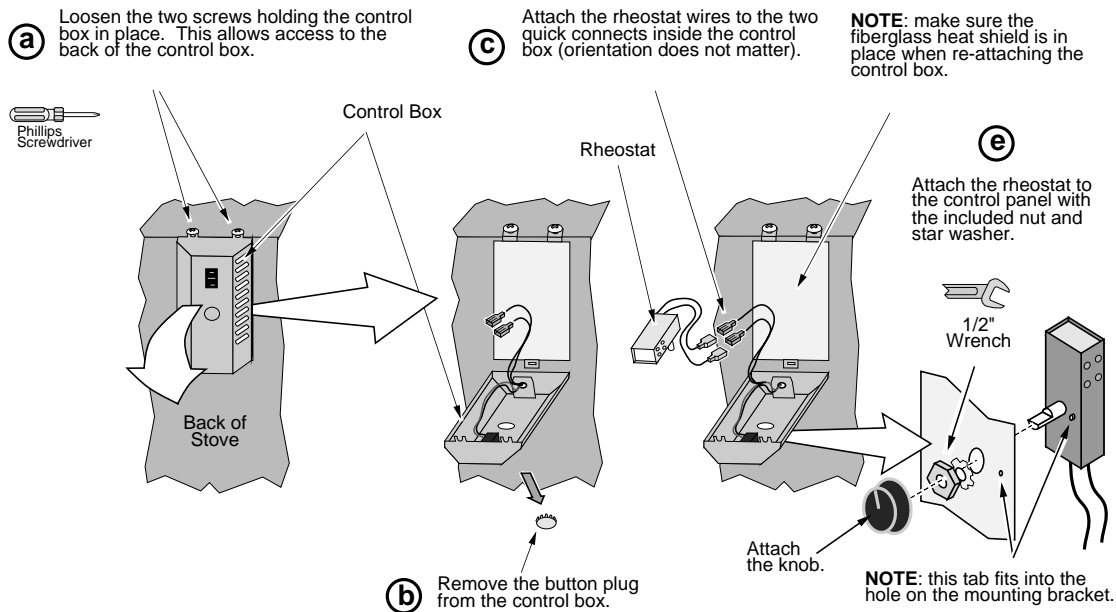
WARNING: Turn the gas control valve to off and make sure the appliance has fully cooled prior to conducting service.

- 1 Attach the two black wires at the rear right of the stove to the thermodisk (orientation does not matter). Then slide the thermodisk into the holder underneath the burner pan.



40 Optional Equipment (for qualified installers only)

- 4 Make sure all of the wiring is placed away from the blower impeller and the bottom of the burner. Use lock ties, if necessary, to ensure no wires are damaged.
- 5 Open the control cover following the directions below. Remove the button plug and install the rheostat.

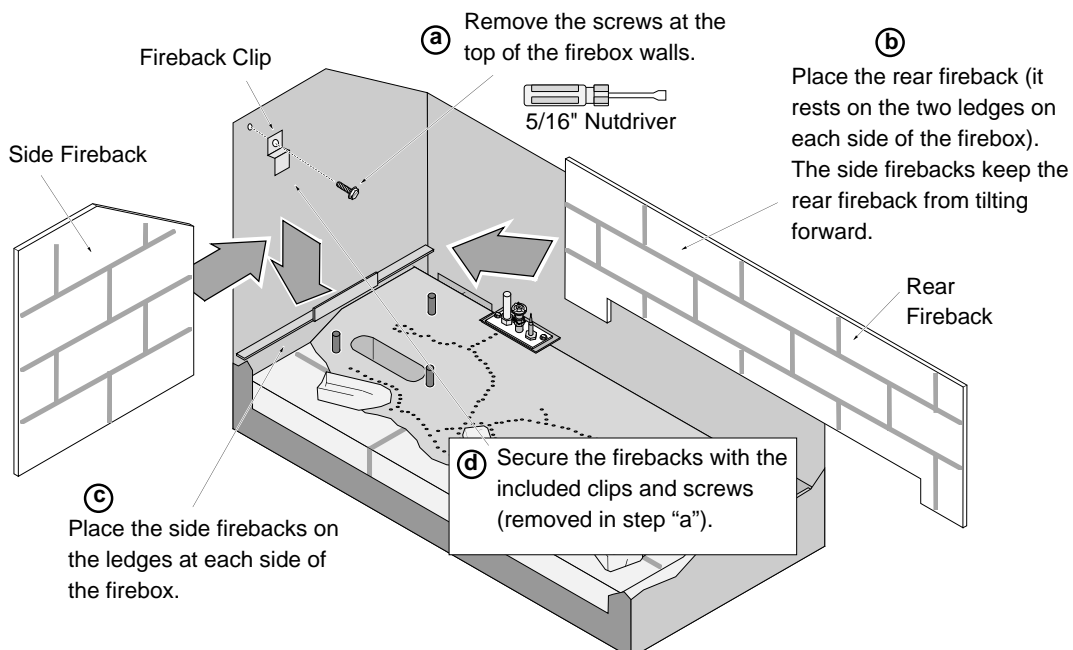


- 6 Plug the blower in. Let the heater achieve operating temperature and test blower operation.

Fireback (Part # 99600220)

WARNING: Turn the gas control valve to off and make sure the appliance has fully cooled prior to conducting service.

- 1 Before installing, remove the face, glass, and logs. Install the firebacks following the directions below.



ADDENDUM #1 Class A Chimney Conversion Kit

Simpson DuraVent provides a conversion kit for those wishing to use an existing wood stove chimney to vent this direct vent stove. The illustration below gives an overview of this type of installation. See the instructions included with the kit for details.

- ! Do not exceed the maximum vertical rise (see the section "Approved Vent Configurations" starting on page 12) allowable. Remember to set the restrictor position to the correct position (based upon the vertical rise height).
- ! The conversion kit does not work on interior masonry chimneys.

Chimney Conversion Kit A (# 931)

Metalbestos 6" I.D.
Security Chimneys 6" I.D.
Jacks-Evans 6" I.D.
Hart & Cooley 6" I.D.
Pro-Jet 6" I.D.

Chimney Conversion Kit B (# 932)

Simpson Dura-Vent 6" I.D.
Air-Jet 6" I.D.
Metal-Fab 6" and 7" I.D.
Amer. Metals 6" & 7" I.D.
Metalbestos 7" and 8" I.D.
Jacks-Evans 7" and 8" I.D.
Hart & Cooley 7" and 8" I.D.
Pro-Jet 7" and 8" I.D.
Security Chimneys 8" I.D.

Chimney Conversion Kit C (# 933)

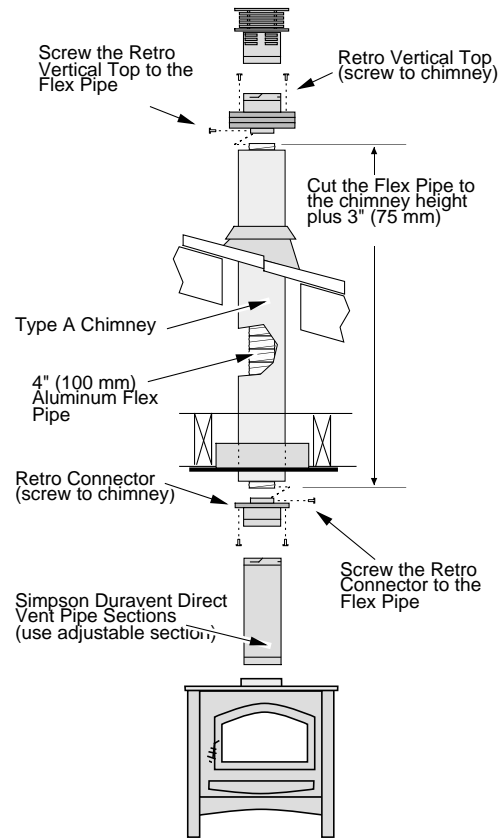
Simpson Dura-Vent 7" and 8" I.D.
American Metals 8" I.D.
Air-Jet 8" I.D.
Metal-Fab 8" I.D.
American Metals 8" I.D.

Each Kit Contains:

Retro Connector
Retro Vertical Top

Additional Required Equipment:

4" Flex (#711 or U.L. 1777)
Termination (#991)
Co-Axial Sections

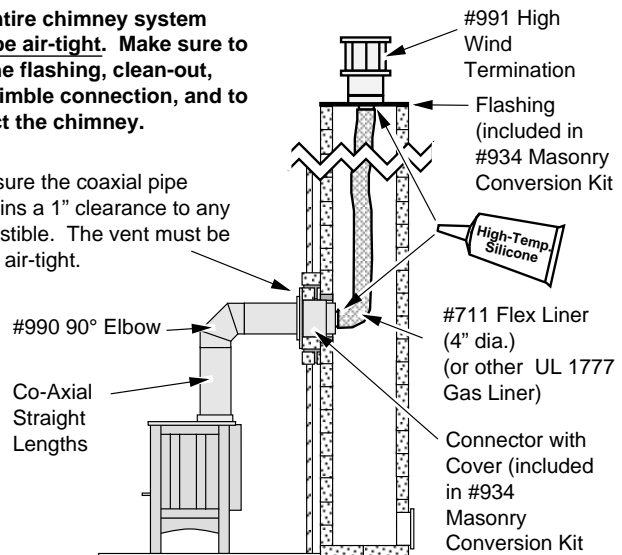


ADDENDUM #2 Interior Masonry Chimney Conversions

- Follow the requirements and use the equipment listed in the illustration to the right to install this appliance into an interior masonry chimney.
- Maximum vertical rise is 40'
- Minimum vertical rise is 10'
- See the chart on page 17 for determining the correct restrictor position.
NOTE: these restrictor positions are based upon lab tests. The ideal restrictor position may vary slightly.

The entire chimney system **must be air-tight. Make sure to seal the flashing, clean-out, and thimble connection, and to inspect the chimney.**

Make sure the coaxial pipe maintains a 1" clearance to any combustible. The vent must be sealed air-tight.



| | | | |
|--|--------------------|---|--------------------|
| Approved Vent Configurations..... | 12-18 | Installation Options | 6 |
| Adjusting the Blower Speed..... | 28 | Items Required for Installation..... | 7 |
| Adjusting the Flame Height | 27 | Leaking Gas | See Inst. on Cover |
| Air Shutter Adjustment..... | 21 | Listing Information | 33 |
| Altitude Considerations..... | 10 | Location of Controls..... | 25 |
| Blower Control..... | 28 | Log Set Installation and Removal | 24 |
| BTU Input..... | 6 | Maintenance | 29 |
| BTU Output..... | 6 | Measuring Vent Lengths..... | 12 |
| Cap (see vent termination)..... | 19 | Noise (see Normal Operating Sounds) | 28 |
| Chimney Cap (see vent termination)..... | 19 | Normal Operating Sounds..... | 28 |
| Clearances..... | 8 | Packing List..... | 7 |
| Condensation on Glass..... | 27 | Pilot Flame Inspection | 20 |
| Corner Installation | 8 | Piping Installation (see Gas Line Install)..... | 10 |
| Dimensions..... | 6 | Restrictor Position | 12 |
| Elbows..... | 12 | Safety Label..... | 33 |
| Finalizing the Installation..... | 20 | Safety Precautions | 4 |
| Floor Protection | 9 | Starting The Pilot..... | 26 |
| Fuel..... | 4 | Starting the Stove for the First Time | 27 |
| Gas Control Valve (Location)..... | 25 | Thermostat Operation..... | 27 |
| Gas Inlet Pressure..... | 10 | Turning the Stove On and Off..... | 27 |
| Gas Line Connection | 10 | Vent Length (see "Vent Config.")..... | 12 |
| Gas Line Install..... | 10 | Vent Part Numbers | 11 |
| Gas Smell..... | See Inst. on Cover | Vent Requirements | 11 |
| Glass Installation and Removal | 22 | Vertical Vent Termination Requirements | 19 |
| Hearth Requirements..... | 9 | Warnings..... | 4 |
| Heating Specifications | 6 | Warranty..... | 34 |
| Horizontal Vent Termination Requirements | 19 | Water on Glass (see Condensation) | 27 |
| How this Stove Works | 31 | Weight (225 Lbs.)..... | 6 |
| | | What Prevents Gas Buildup..... | 31 |
| | | What Turns the Main Burners On and Off..... | 31 |
| | | Wiring Diagram..... | 32 |
| | | Yearly Service Procedure..... | 29 |

Free Manuals Download Website

<http://myh66.com>

<http://usermanuals.us>

<http://www.somanuals.com>

<http://www.4manuals.cc>

<http://www.manual-lib.com>

<http://www.404manual.com>

<http://www.luxmanual.com>

<http://aubethermostatmanual.com>

Golf course search by state

<http://golfingnear.com>

Email search by domain

<http://emailbydomain.com>

Auto manuals search

<http://auto.somanuals.com>

TV manuals search

<http://tv.somanuals.com>