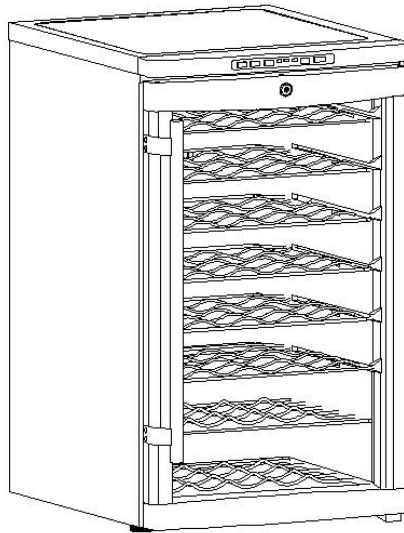




INSTRUCTION MANUAL MANUAL DE INSTRUCCIONES

Model Number/ No. de Modelo: **WC 602D**

WINE/BEVERAGE COOLER
REFRIGERADOR PARA BOTELLAS DE VINO/CERVEZA Y SODAS



BEFORE USE, PLEASE READ AND FOLLOW ALL SAFETY RULES AND OPERATING INSTRUCTIONS.

La sección en español empieza en la página 17.

Avanti Products has a policy of continuous improvement on its products and reserves the right to change materials and specifications without notice.

Avanti Products, A Division of The Mackle Co., Inc.
P.O. Box 520604 - Miami, Florida 33152
www.avantiproducts.com

REFRIGERATOR SAFETY

Your safety and the safety of others are very important.

We have provided many important safety messages in this manual for your appliance. Always read and obey all safety messages.



This is the Safety Alert Symbol. This symbol alerts you to potential hazards that can kill or injure you and others. All safety messages will follow the Safety Alert Symbol and either the words "DANGER", "WARNING" or "CAUTION".



Danger means that failure to heed this safety statement may result in severe personal injury or death.



Warning means that failure to heed this safety statement may result in extensive product damage, serious personal injury, or death.



Caution means that failure to heed this safety statement may result in minor or moderate personal injury, property or equipment damage.

All safety messages will alert you to know what potential hazard is, tell you how to reduce the chance of injury, and let you know what can happen if the instructions are not followed.



IMPORTANT SAFEGUIDES

Before the refrigerator is used, it must be properly positioned and installed as described in this manual, so read the manual carefully. To reduce the risk of fire, electrical shock or injury when using the refrigerator, follow basic precaution, including the following:

DANGER

- ? Plug into a grounded 3-prong outlet, do not remove grounding prong, do not use an adapter, and do not use an extension cord.
- ? It is recommended that a separate circuit, serving only your refrigerator be provided. Use receptacles that cannot be turned off by a switch or pull chain.
- ? Never clean refrigerator parts with flammable fluids. These fumes can create a fire hazard or explosion. And do not store or use gasoline or other flammable vapors and liquids in the vicinity of this or any other appliance. The fumes can create a fire hazard or explosion.
- ? Before proceeding with cleaning and maintenance operations, make sure the power line of the unit is disconnected.
- ? Do not connect or disconnect the electric plug when your hands are wet.
- ? Unplug the refrigerator or disconnect power before cleaning or servicing. Failure to do so can result in electrical shock or death.
- ? Do not attempt to repair or replace any part of your refrigerator unless it is specifically recommended in this manual. All other servicing should be referred to a qualified technician.

WARNING

FOLLOW WARNING CALL OUTS BELOW ONLY WHEN APPLICABLE TO YOUR MODEL

- ? Use two or more people to move and install refrigerator. Failure to do so can result in back or other injury.
- ? To ensure proper ventilation for your refrigerator, the front of the unit must be completely unobstructed. Choose a well-ventilated area with temperatures above 60°F (16 C) and below 90°F (32°C). This unit must be installed in an area protected from the element, such as wind, rain, water spray or drips.
- ? The refrigerator should not be located next to ovens, grills or other sources of high heat.
- ? The refrigerator must be installed with all electrical, water and drain connections in accordance with state and local codes. A standard electrical supply (115 V AC only, 60 Hz), properly grounded in accordance with the National Electrical Code and local codes and ordinances is required.
- ? Do not kink or pinch the power supply cord of refrigerator.
- ? The fuse (or circuit breaker) size should be 15 amperes.
- ? It is important for the refrigerator to be leveled in order to work properly. You may need to make several adjustments to level it.
- ? All installation must be in accordance with local plumbing code requirements.
- ? Make certain that the pipes are not pinched or kinked or damaged during installations.
- ? Check for leaks after connection.
- ? Never allow children to operate, play with or crawl inside the refrigerator.
- ? If you use the drainage container, you must set the drain select switch to OFF or the water can overflow from the drainage container
- ? Although the unit has been tested at the factory, due to long-term transit and storage, the first batch of cubes must be discarded.
- ? Do not use solvent-based cleaning agents or abrasives on the interior. These cleaners may damage or discolor the interior.
- ? Do not use this apparatus for other than its intended purpose.

REGISTRATION INFORMATION

Thank you for purchasing this fine Avanti product. Please fill out this form and return it within 100 days of purchase and receive these important benefits to the following address:

Avanti Products, A Division of The Mackle Co., Inc.
P.O.Box 520604 – Miami, Florida 33152

✂ **Protect your product:**

We will keep the model number and date of purchase of your new Avanti Products product on file to help you refer to this information in the event of an insurance claim such as fire or theft.

✂ **Promote better products:**

We value your input. Your responses will help us develop products designed to best meet your future needs.

------(detach here)-----

Avanti Registration Form

Name _____			Model # _____	Serial # _____
Address _____			Date Purchased _____	Store/Dealer Name _____
City _____	State _____	Zip _____	Occupation _____	
Area Code _____	Phone Number _____		As Your Primary Residence, Do You: <input type="checkbox"/> Own <input type="checkbox"/> Rent	
Did You Purchase An Additional Warranty: <input type="checkbox"/> Extended <input type="checkbox"/> Food Loss <input type="checkbox"/> None			Your Age: <input type="checkbox"/> under 18 <input type="checkbox"/> 18-25 <input type="checkbox"/> 26-30 <input type="checkbox"/> 31-35 <input type="checkbox"/> 36-50 <input type="checkbox"/> over 50	
Reason For Choosing This Avanti Product: Please indicate the most important factors that influenced your decision to purchase this product. <input type="checkbox"/> Price <input type="checkbox"/> Product Features <input type="checkbox"/> Avanti Products Reputation <input type="checkbox"/> Product Quality <input type="checkbox"/> Salesperson Recommendation <input type="checkbox"/> Friend/Relative Recommendation <input type="checkbox"/> Warranty <input type="checkbox"/> Other _____			Marital Status: <input type="checkbox"/> Married <input type="checkbox"/> Single Is This Product Used In The: <input type="checkbox"/> Home <input type="checkbox"/> Business How Did You Learn About This Product: <input type="checkbox"/> Advertising <input type="checkbox"/> In Store Demo <input type="checkbox"/> Personal Demo <input type="checkbox"/> Other _____ Comments _____ _____ _____	

HELP US HELP YOU...

Read this guide carefully.

It is intended to help you operate and maintain your new Wine/Beverage Cooler properly.

Keep it handy to answer your questions. If you don't understand something or you need more assistance, please call:

**Avanti Customer Service
800-220-5570**

Keep proof of original purchase date (such as your sales slip) with this guide to establish the warranty period.

CAUTION:

THIS WINE/BEVERAGE COOLER IS NOT DESIGNED FOR THE STORAGE OF MEDICINE OR OTHER MEDICAL PRODUCTS.

Write down the model and serial numbers.

You'll find them on a plate located on the rear wall of the Wine/Beverage Cooler

Please write these numbers here:

Date of Purchase

Model Number

Serial Number

Use these numbers in any correspondence or service calls concerning your Wine/Beverage Cooler

If you received a damaged Wine/Beverage Cooler, immediately contact the dealer (or builder) that sold you the Wine/Beverage Cooler

Save time and money. Before you call for service, check the Troubleshooting Guide. It lists causes of minor operating problems that you can correct yourself.

IF YOU NEED SERVICE

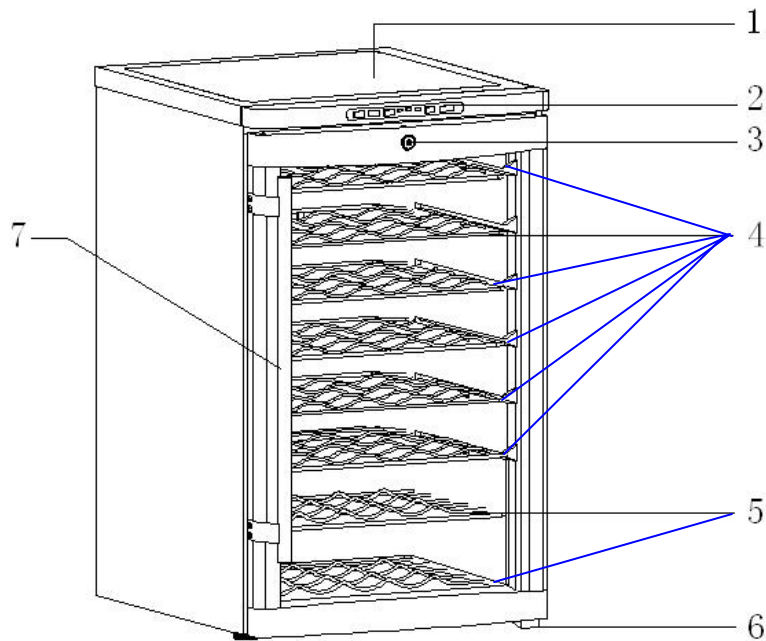
We're proud of our service and want you to be pleased. If for some reason you are not happy with the service you receive, here are some steps to follow for further assistance.

FIRST, contact the people who serviced your Wine/Beverage Cooler. Explain why you are not pleased. In most cases, this will solve the problem.

NEXT, if you are still not pleased, write all the details, including your telephone number, and send it to:

**Customer Service
Avanti Products
10880 NW 30 Street
Miami, FL 33172 US**

PARTS & FEATURES





1. Countertop
2. Digital Readout
3. Lock Assembly
4. Chrome Shelves (6)
5. Chrome Rack
6. Adjustable Leg
7. Stainless Steel Handle

TABLE OF CONTENTS

REFRIGERATOR SAFETY	2
IMPORTANT SAFEGUIDES	3
REGISTRATION INFORMATION	4
HELP US HELP YOU...	6
PARTS AND FEATURES	7
IMPORTANT SAFETY INSTRUCTIONS	9
INSTALLATION INSTRUCTIONS	9
BEFORE USING YOUR WINE/BEVERAGE COOLER	9
INSTALLATION OF YOUR WINE/BEVERAGE COOLER	9
ELECTRICAL CONNECTION	10
EXTENSION CORD	10
REVERSING THE DOOR SWING OF YOUR WINE/BEVERAGE COOLER	10
OPERATING YOUR WINE/BEVERAGE COOLER	10
SETTING THE TEMPERATURE CONTROL	10
HOW TO CHOOSE THE CELSIUS OR FAHRENHEIT DEGREE	11
INTERIOR LIGHT	11
DOOR LOCK	11
HANDLE INSTALLATION	11
CARE AND MAINTENANCE	12
CLEANING YOUR WINE/ BEVERAGE COOLER	12
POWER FAILURE	12
VACATION TIME	12
MOVING YOUR WINE/ BEVERAGE COOLER	12
ENERGY SAVING TIPS	12
TROUBLESHOOTING GUIDE	13
SERVICE FOR YOUR WINE/ BEVERAGE COOLER	14
YOUR AVANTI PRODUCTS WARRANTY	15
WIRING DIAGRAM	16
INSTRUCCIONES EN ESPAÑOL	17~19

IMPORTANT SAFETY INSTRUCTIONS

 WARNING 	To reduce the risk of fire, electrical shock, or injury when using your Wine/Beverage Cooler, follow these basic precautions:
<ul style="list-style-type: none">? Read all instructions before using the Wine/Beverage Cooler.? DANGER or WARNING: Risk of child entrapment. Child entrapment and suffocation are not problems of the past. Junked or abandoned appliances are still dangerous . . . even if they will “just sit in the garage a few days”.? Before you throw away your old Wine/Beverage Cooler: take off the door. Leave the shelves in place so that children may not easily climb inside.? Never allow children to operate, play with, or crawl inside the Wine/Beverage Cooler.? Never clean Wine/Beverage Cooler parts with flammable fluids. The fumes can create a fire hazard or explosion.? Do not store or use gasoline or any other flammable vapors and liquids in the vicinity of this or any other appliance. The fumes can create a fire hazard or explosion. <p style="text-align: center;">-Save these instructions-</p>	

INSTALLATION INSTRUCTIONS

Before Using Your Wine/Beverage Cooler

- ? Remove the exterior and interior packing.
- ? Check to be sure you have all of the following parts:
 - ? 6 Chrome Shelves
 - ? 1 Chrome Rack
 - ? 2 Keys
 - ? 1 Stainless Steel Handle Assembly
 - ? Instruction Manual
- ? Before connecting the Wine/Beverage Cooler to the power source, let it stand upright for approximately 2 hours. This will reduce the possibility of a malfunction in the cooling system from handling during transportation.
- ? Clean the interior surface with lukewarm water using a soft cloth.
- ? Install the stainless steel handle at the left side of the glass door.

Installation of Your Wine/Beverage Cooler

- ? This appliance is designed to be free standing only, and should not be recessed or built-in (fully recessed).
- ? Place your Wine/Beverage Cooler on a floor that is strong enough to support it when it is fully loaded. To level your Wine/Beverage Cooler, adjust the adjustable leg at the bottom of the unit.
- ? Allow 5 inches of space between the back and sides of the unit, which allows the proper air circulation to cool the compressor.
- ? Locate the Wine/Beverage Cooler away from direct sunlight and sources of heat (stove, heater, radiator, etc.). Direct sunlight may affect the acrylic coating and heat sources may increase electrical consumption. Extreme cold ambient temperatures may also cause the unit not to perform properly.
- ? Avoid locating the unit in moist areas.
- ? Plug the Wine/Beverage Cooler into an exclusive, properly installed -grounded wall outlet. Do not under any circumstances cut or remove the third (ground) prong from the power cord. Any questions concerning power and/or grounding should be directed toward a certified electrician or an authorized Avanti Products service center.

- ? After plugging the appliance into a wall outlet, allow the unit to cool down for 2-3 hours before placing items in the compartment.

Electrical Connection

Warning

Improper use of the grounded plug can result in the risk of electrical shock. If the power cord is damaged, have it replaced by an authorized Avanti Products service center.

This unit should be properly grounded for your safety. The power cord of this unit is equipped with a three-prong plug which mates with standard three prong wall outlets to minimize the possibility of electrical shock.

Do not under any circumstances cut or remove the third ground prong from the power cord supplied. For personal safety, this appliance must be properly grounded.

This unit requires a standard 115/120 Volt AC ~/60Hz electrical outlet with three-prong ground. Have the wall outlet and circuit checked by a qualified electrician to make sure the outlet is properly grounded. When a standard 2-prong wall outlet is encountered, it is your responsibility and obligation to have it replaced with a properly grounded 3-prong wall outlet.

The cord should be secured behind the unit and not left exposed or dangling to prevent accidental injury.

The unit should always be plugged into its own individual electrical outlet which has a voltage rating that matches the rating label on the appliance. This provides the best performance and also prevent overloading house wiring circuits that could cause a fire hazard from overheated. Never unplug the unit by pulling the power cord. Always grip the plug firmly and pull straight out from the receptacle. Repair or replace immediately all power cords that have become frayed or otherwise damaged. Do not use a cord that shows cracks or abrasion damage along its length or at either end. When moving the unit, be careful not to damage the power cord.

Extension Cord

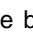

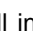

Because of potential safety hazards under certain conditions, it is strongly recommended that you do not use an extension cord with this unit. However, if you must use an extension cord it is absolutely necessary that it be a UL/CUL-Listed, 3-wire grounding type appliance extension cord having a grounding type plug and outlet and that the electrical rating of the cord be 115 volts and at least 10 amperes.

Reversing the Door Swing of Your Wine/Beverage Cooler

This refrigerator-freezer has the capability of the door opening from either the left or right side. The unit is delivered to you with the door opening from the left side. Should you desire to reverse the opening direction, please call service for reversal instructions.

OPERATING YOUR WINE/BEVERAGE COOLER

Setting the Temperature Control

- ? You can set the temperature as you desire by pushing the button UP () or DOWN () when you push the two buttons for the first time, the LED readout will show the original temperature set at previous time (the temperature preset at the factory is 50°F).
- ? The temperature that you desire to set will increase 1°F or 1°C if you push the UP () once, the temperature will decrease 1°F or 1°C if you push the DOWN () once.

COLD:	FOR BEER OR SODA CANS	39° -40° F
SPARKL:	SPARKLING WINES/ROSE WINES	41°-47°F
WHITE:	WHITE/DRY WINES	48°-57°F
RED:	RED WINES	58°-65°F



NOTE: WHEN USING FOR BOTH WINE AND BEER SIMULTANEOUSLY WE RECOMMEND THAT YOU PLACE RED WINE BOTTLES ON TOP SHELF AND BEER ON BOTTOM SHELF.

✂ **How to Choose the Celsius or Fahrenheit Degree?**

You can select temperature display setting from Fahrenheit to Celsius degrees by pushing the button marked °C and then Celsius degrees indicator will be ON or select temperature display setting from Celsius to Fahrenheit degrees by pushing the button marked °F and Fahrenheit degrees indicator will be ON.

✂ **Interior LED Light**

You can turn the interior light on or off by pushing the button marked "💡" symbol.

The light will be turned off automatically if it remains ON for 10 minutes. You have to push the button marked with the "bulb" symbol again and the light will turn back on.

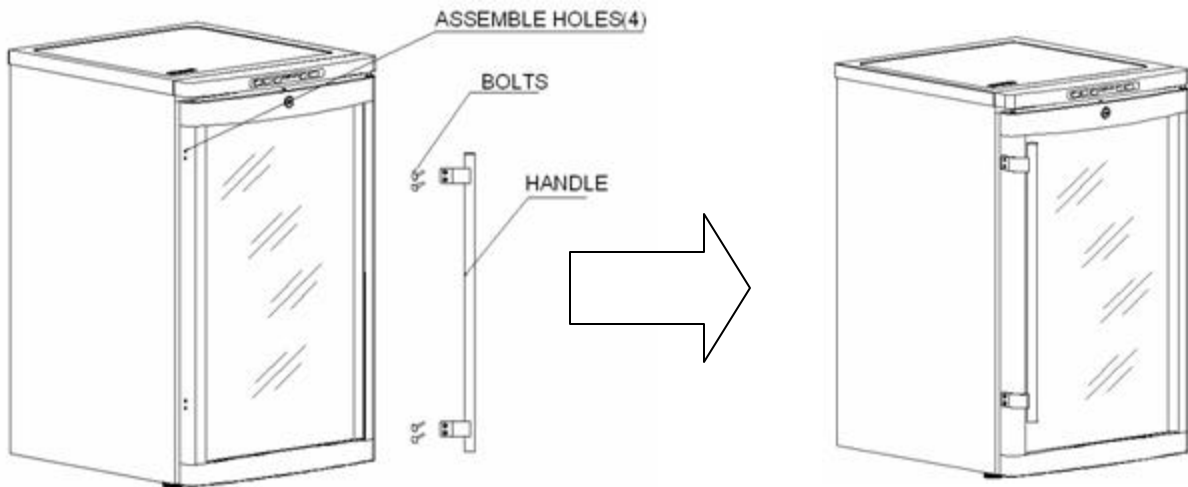
✂ **Door Lock**

Your unit is provided with a lock and key combination. The keys are located inside the plastic bag that contains the User's Guide. Insert the key into the lock and turn it counterclockwise to unlock the door. To lock the door do the reverse operation making sure metal pin is engaged completely. Remove the key and place it in a secure place for safekeeping.

✂ **Handle Installation:**

The handle is optional and is not necessary for the operation of your unit

Remove the four (4) plastic plugs on the left side of the glass door. Place the handle in position and secure tightly by using a **Phillips** head screwdriver and the 4 screws included in the plastic bag with this manual. (see figure below). Save the four (4) plastic plugs for future use if you decide to reverse door opening.



CARE AND MAINTENANCE

Cleaning Your Wine/Beverage Cooler

- ? Unplug the Wine/Beverage Cooler, and remove all items including shelves and rack.
- ? Wash the inside surfaces with a warm water and baking soda solution. The solution should be about 2 tablespoons of baking soda to a quart of water.
- ? Wash the shelves and rack with a mild detergent solution.
- ? The outside of the Wine/Beverage Cooler should be cleaned with mild detergent and warm water.
- ? Wring excess water out of the sponge or cloth when cleaning area of the controls, or any electrical parts.
- ? Wash the outside cabinet with warm water and mild liquid detergent. Rinse well and wipe dry with a clean soft cloth.

Power Failure

- ? Most power failures are corrected within a few hours and should not affect the temperature of your Wine/Beverage Cooler if you minimize the number of times the door is opened. If the power is going to be off for a longer period of time, you need to take the proper steps to protect your contents.

Vacation Time

- ? **Short vacations:** Leave the Wine/Beverage Cooler operating during vacations of less than three weeks.
- ? **Long vacations:** If the appliance will not be used for several months, remove all items and unplug the power cord. Clean and dry the interior thoroughly. To prevent odor and mold growth, leave the door open slightly: blocking it open if necessary.

Moving Your Wine/Beverage Cooler

- ? Remove all items.
- ? Securely tape down all loose items (shelves and rack) inside your Wine/Beverage Cooler.
- ? Turn the adjustable foot up to the base to avoid damage.
- ? Tape the door shut.
- ? Be sure the Wine/Beverage Cooler stays secure in the upright position during transportation. Also protect outside of Wine/Beverage Cooler with a blanket, or similar item.

Energy Saving Tips

- ? The Wine/Beverage Cooler should be located in the coolest area of the room, away from heat producing appliances, and out of the direct sunlight.

PROBLEMS WITH YOUR WINE/BEVERAGE COOLER?

You can solve many common Wine/Beverage Cooler problems easily, saving you the cost of a possible service call. Try the suggestions below to see if you can solve the problem before calling the servicer.

TROUBLESHOOTING GUIDE

PROBLEM	POSSIBLE CAUSE
Wine/Beverage Cooler does not operate.	Not plugged in. The circuit breaker tripped or a blown fuse.
Wine/Beverage Cooler is not cold enough.	Check the temperature control setting. External environment may require a higher setting. The door is opened too often. The door is not closed completely. The door gasket does not seal properly. The Wine/Beverage Cooler does not have the correct clearances.
Turns on and off frequently.	The room temperature is hotter than normal. The door is opened too often. The door is not closed completely. The temperature control is not set correctly. The door gasket does not seal properly. The Wine/Beverage Cooler does not have the correct clearances.
Vibrations.	Check to assure that the Wine/Beverage Cooler is level.
The Wine/Beverage Cooler seems to make too much noise. The door will not close properly.	The rattling noise may come from the flow of the refrigerant, which is normal. As each cycle ends, you may hear gurgling sounds caused by the flow of refrigerant in your Wine/Beverage Cooler. Contraction and expansion of the inside walls may cause popping and crackling noises. The Wine/Beverage Cooler is not level. The Wine/Beverage Cooler is not level. The door was reversed and not properly installed. The gasket is dirty. The shelves are out of position.

SERVICE FOR YOUR WINE/BEVERAGE COOLER

We are proud of our customer service organization and the network of professional service technicians that provide service on your Avanti Products appliances. With the purchase of your Avanti Products appliance, you can be confident that if you ever need additional information or assistance, the Avanti Products Customer Service team will be here for you. Just call us toll-free.

AVANTI PRODUCTS CUSTOMER SERVICES

Product Information 800-323-5029	Whatever your questions are about our products, help is available.
Part Orders 800-220-5570	You may order parts and accessories that will be delivered directly to your home by personal check, money order, Master Card, or Visa.
In-Home Repair Service 800-220-5570	An Avanti Products authorized service center will provide expert repair service, scheduled at a time that is convenient for you. Our trained servicers know your Wine/Beverage Cooler inside and out.

YOUR Avanti Products WARRANTY

Staple your sales receipt here. Proof of original purchase date is needed to obtain service under warranty.

WHAT IS COVERED

LIMITED ONE-YEAR WARRANTY

For one year from the date of purchase by the original owner, Avanti Products will, at its option, repair or replace any part of the unit, which proves to be defective in material or workmanship under normal use. During this period Avanti Products will provide all parts and labor necessary to correct such defects free of charge, so long as the unit has been installed and operated in accordance with the written instructions in this manual. In rental or commercial use, the warranty period is 90 days. All Avanti Appliances of 3.5 cubic feet capacity or less must be brought/sent to the appliance service shop for repair.

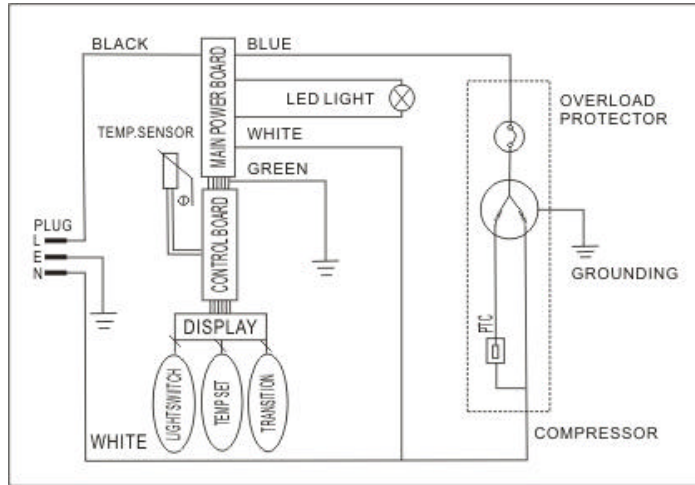
LIMITED SECOND THROUGH FIFTH YEAR WARRANTY

For the second through the fifth year from date of original purchase, Avanti Products will provide a replacement compressor free of charge due to a failure. You are responsible for the service labor and freight charges. In rental or commercial use, the limited compressor warranty is one year and nine months. Cost to move the unit to the servicers' shop and back to the user's home, as may be required, are the user's responsibility.

WHAT IS NOT COVERED

- ? Content losses of food due to spoilage.
- ? Incidental or consequential damages.
- ? Parts and labor costs for the following will not be considered as warranty:
 - ? Door springs, and/or frames.
 - ? Inner door panels, door rails and/or door supports.
 - ? Light bulbs and/or plastic housing.
 - ? Plastic cabinet liners.
 - ? Punctured evaporator that voids the warranty on the complete sealed system.
- ? Repairs performed by unauthorized servicers.
- ? Service calls that do not involve defects in material or workmanship such as customer education, door reversal, or proper installation.
- ? Service calls that are related to external problems, such as abuse, misuse, inadequate electrical power, accidents, fire, floods, or acts of God.
- ? Replacement of house fuses or resetting circuit breakers.
- ? Failure of the product if it is used for other than its intended purpose.
- ? This warranty does not apply outside the Continental USA.

WIRING DIAGRAM



INSTRUCCIONES EN ESPAÑOL

PRECAUCIÓN	Para reducir el riesgo de incendio, descarga eléctrica, o daño cuando use su electrodoméstico, siga las siguientes precauciones.
<p>? Lea todas las instrucciones antes de usar su electrodoméstico.</p> <p>? Peligro o Precaución: Existe el riesgo que los niños queden atrapados.</p> <p>? Niños atrapados o sofocamiento no son un problema del pasado. Los electrodomésticos son peligrosos aún si sdo los deja en el garaje por un par de días.</p> <p>? Antes de desechar su electrodoméstico o refrigerador usado: quítele las puertas. Deje las repisas en su lugar para evitar que los niños se queden atrapados.</p> <p>? No permita que los niños manejen, jueguen o entren dentro del electrodoméstico.</p> <p>? No limpie su electrodoméstico con líquidos inflamables. Los gases pueden ocasionar fuego o una explosión.</p> <p>? No guarde ni use gasolina u otros líquidos inflamables cerca de este o de cualquier otro electrodoméstico. Los vapores pueden ocasionar fuego o explosión.</p> <p style="text-align: center;">- <u>Guarde estas instrucciones</u> -</p>	

INSTALACION

Retire los accesorios del empaque (plásticos protectores, cartón y tiras engomadas). Limpie el exterior con un trapo suave y seco, y el interior con un trapo húmedo y tibio.

UBICACION

1. Seleccione un lugar con un piso firme y nivelado.
2. Su refrigerador requiere ventilación. Deje un espacio mínimo de 5" hacia arriba y espacio suficiente en el respaldo para permitir la circulación de aire.
3. Evite luz directa del sol o calor. La luz directa del sol puede afectar la capa de pintura. Las fuentes de calor en su proximidad causarán un consumo mayor de electricidad.
4. Para un mejor desempeño, nivele el refrigerador utilizando las patas ajustables o tornillos niveladores. Para verificar el nivel, abra la puerta hasta la mitad, debe regresar sola.

INSTRUCCIONES PARA LA CONEXION A TIERRA

Este aparato electrodoméstico debe estar conectado a tierra. En caso de un cortocircuito eléctrico, la conexión a tierra reduce el riesgo de choque eléctrico proporcionando un cable de escape para la corriente eléctrica. Este aparato viene equipado con un cordón que posee un cable a tierra con un enchufe de conexión a tierra. Este enchufe debe estar conectado en un tomacorriente instalado correctamente y conectado a tierra.

ADVERTENCIA

El uso inadecuado del enchufe de conexión a tierra puede resultar en un riesgo de choque eléctrico. Consulte con un electricista si no comprende bien las instrucciones de conexión a tierra o si existe alguna duda sobre si el aparato está conectado a tierra correctamente.

NO USE UN CORDON DE EXTENSION

Use un tomacorriente de pared exclusivo. No conecte su refrigerador a cordones de prolongación eléctrica o junto a cualquier otro electrodoméstico en el mismo tomacorriente de pared.



CERRADURA DE LA PUERTA

Su unidad viene equipada con una combinación de cerradura y llave.
Las llaves (2) están dentro de la bolsa plástica junto al manual de instrucciones.
Introduzca la llave en la cerradura y gírela hacia la izquierda para abrir la puerta.
Para cerrarla, gire la llave hacia la derecha.
Quite la llave y colóquela en un lugar seguro para evitar que se pierda.

ADVERTENCIA IMPORTANTE:

Un refrigerador vacío es una atracción muy peligrosa para los niños. Quite los sellos magnéticos, puertas o cerraduras de todo electrodoméstico que esté en uso.

OPERACION

Enchufe el cable a la toma de corriente, que debe ser 115-120V, A.C.~ 10 AMP ó más. Para evitar vibraciones, la caja debe estar bien nivelada. Al conectar su vinera por primera vez, puede haber una variante de varios grados entre la temperatura seleccionada y la indicada en la activación y desactivación. También hay una variante de 6° a 8° C entre los estantes superiores e inferiores de la vinera, de forma que si usted quiere combinar una mezcla de vinos rojos (tintos) y blancos, deberá colocar las botellas de vino blanco en el estante inferior y las de vino tinto en el estante superior. Si usted ha programado el enfriador de vino a 15°C por ejemplo, podría aumentarlo oprimiendo el botón marcado  sucesivamente o podría bajarlo oprimiendo el botón marcado . También puede cambiar de grados centígrados a Fahrenheit, oprimiendo el botón marcado C/F. F° aparecerá en la pantalla de color rojo, C° aparecerá en la pantalla de color amarillo.

POSICIONES RECOMENDADAS PARA ENFRIAR EL VINO Y LA CERVEZA:

COLD:	Cerveza o sodas	4°C
SPARKL:	Vino Espumante	5°-8°C
WHITE:	Vino Blanco/Seco	9°-14°C
RED:	Vino Tinto	15°-18°C



AVISO: CUANDO LLENE EL INTERIOR DE CERVEZAS O VINOS SE RECOMIENDA QUE UD COLOQUE LAS BOTELLAS DE VINO TINTO EN EL ESTANTE SUPERIOR Y LAS CERVEZAS EN EL ESTANTE DE ABAJO.

CUIDADOS EN LOS PERIODOS DE AUSENCIA

- ? Para cortos períodos de ausencia (menos de 21 días) la unidad podrá quedar funcionando.
- ? En períodos de ausencia más largos, se aconseja dejar la unidad limpia y desconectada.
- ? Saque todo lo que tenga adentro de la unidad y haga la limpieza general.
- ? Deje la puerta entreabierta para que penetre el aire y así evitar la formación de olores.

ECONOMIA DE ENERGIA

- ? Evite dejar por mucho tiempo la puerta abierta.
- ? Evite aperturas frecuentes de la puerta.
- ? Coloque el botón de control de temperaturas en la posición adecuada.

SI USTED SE VA DE VACACIONES

- ? Saque todos los artículos de la unidad si Ud. se va de vacaciones por un mes o más.
- ? Desconecte la unidad del tomacorriente y limpie bien.
- ? Deje la puerta abierta para evitar la formación de olores, condensación o moho.

SI USTED SE MUDA

- ? Desconecte la unidad del tomacorriente y limpie la unidad bien.
- ? Saque todas las partes movibles y empaquételas para que no se muevan durante la transportación.
- ? Cierre la puerta de la unidad y séllela con cinta adhesiva.
- ? Asegúrese que la unidad va parada durante el viaje y cúbralo con una frazada.

COMO CAMBIAR LA DIRECCION DE APERTURA DE LA PUERTA

En caso de que necesite cambiar el lado de apertura de la puerta, por favor consulte al servicio pos-venta de su localidad o al empleado que le vendió la unidad.

IRREGULARIDADES CON EL FUNCIONAMIENTO DEL REFRIGERADOR

PROBLEMA	CAUSAS PROBABLES	SOLUCION
El electrodoméstico no funciona.	Falta de energía. Enchufe desconectado.	Verifique el fusible. Substitúyalo o arréglelo. Coloque el botón en la posición correcta. Conéctelo.
La refrigeración es insuficiente. Ruidos anormales.	Botón de control de temperatura en la posición incorrecta. Elevada frecuencia de apertura de la puerta. Expansión del gas en el evaporador. Tubos en contacto con gabinetes o paredes.	Observe las instrucciones. Evite abrir la puerta demasiado. Normal. Aléjelos.

PRINTED IN CHINA

Free Manuals Download Website

<http://myh66.com>

<http://usermanuals.us>

<http://www.somanuals.com>

<http://www.4manuals.cc>

<http://www.manual-lib.com>

<http://www.404manual.com>

<http://www.luxmanual.com>

<http://aubethermostatmanual.com>

Golf course search by state

<http://golfingnear.com>

Email search by domain

<http://emailbydomain.com>

Auto manuals search

<http://auto.somanuals.com>

TV manuals search

<http://tv.somanuals.com>