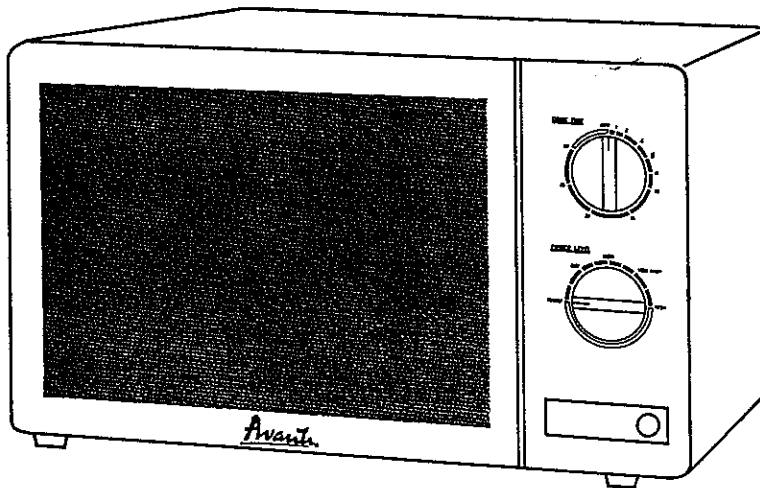


# *Avanti*<sup>®</sup>

## MICROWAVE OVEN INSTRUCTION MANUAL

Model Number:

MO619M



### CAUTION:

**BEFORE USE, PLEASE READ AND FOLLOW ALL SAFETY RULES AND OPERATING INSTRUCTIONS.**

Avanti has a policy of continuous improvement on its products and reserves the right to change materials and specifications without notice.

---

Avanti Products, A Division of The Mackle Co., Inc.  
P.O. Box 520604 - Miami, Florida 33152  
[www.avantiproducts.com](http://www.avantiproducts.com)

---

### Warranty Information

Thank you for purchasing this fine Avanti product. Please fill out this card and return it within 100 days of purchase and receive these important benefits:

- **Confirm your warranty:**  
Your prompt product registration confirms your right to the protection available under the terms and conditions of your Avanti warranty.
- **Protect your product:**  
We will keep the model number and date of purchase of your new Avanti product on file to help you refer to this information in the event of an insurance claim such as fire or theft.
- **Promote better products:**  
We value your input. Your response will help us develop products designed to best meet your future needs.

------(detach here)-----

#### Avanti Registration Card

Name _____			Model # _____	Serial # _____
Address _____			Date Purchased _____	Store/Dealer Name _____
City _____	State _____	Zip _____	Occupation _____	
Area Code _____	Phone Number _____	<b>As Your Primary Residence, Do You:</b>		
<b>Did You Purchase An Additional Warranty:</b>		<input type="checkbox"/> Own <input type="checkbox"/> Rent		
<input type="checkbox"/> Extended <input type="checkbox"/> Food Loss <input type="checkbox"/> None		<b>Your Age:</b>		
<b>Reason For Choosing This Avanti Product:</b>		<input type="checkbox"/> under 18 <input type="checkbox"/> 18-25 <input type="checkbox"/> 26-30		
Please indicate the most important factors that influenced your decision to purchase this product.		<input type="checkbox"/> 31-35 <input type="checkbox"/> 36-50 <input type="checkbox"/> over 50		
<input type="checkbox"/> Price		<b>Marital Status:</b>		
<input type="checkbox"/> Product Features		<input type="checkbox"/> Married <input type="checkbox"/> Single		
<input type="checkbox"/> Avanti Reputation		<b>Is This Product Used In The:</b>		
<input type="checkbox"/> Product Quality		<input type="checkbox"/> Home <input type="checkbox"/> Business		
<input type="checkbox"/> Salesperson Recommendation		<b>How Did You Learn About This Product:</b>		
<input type="checkbox"/> Friend/Relative Recommendation		<input type="checkbox"/> Advertising <input type="checkbox"/> Product Features		
<input type="checkbox"/> Warranty		<input type="checkbox"/> In Store Demo <input type="checkbox"/> Personal Demo		
<input type="checkbox"/> Other _____		<input type="checkbox"/> Other _____		
Comments _____		Comments _____		

---

## HELP US HELP YOU...

### Read this guide carefully.

It is intended to help you operate and maintain your new appliance properly.

Keep it handy to answer your questions. If you don't understand something or your need more help, please call:

**Avanti Customer Service  
800-220-5570**

Keep proof of original purchase date (such as your sales slip) with this guide to establish the warranty period.

### Write down the model and serial numbers.

You'll find them on a plate located on the back of the appliance.

Please write these numbers here:

\_\_\_\_\_  
Date of Purchase

\_\_\_\_\_  
Model Number

\_\_\_\_\_  
Serial Number

Use these numbers in any correspondence or service calls concerning your appliance.

If you received a damaged appliance, immediately contact the dealer (or builder) that sold you the appliance.

Save time and money. Before you call for service, check the Troubleshooting Guide. It lists causes of minor operating problems that you can correct yourself.

---

## IF YOU NEED SERVICE

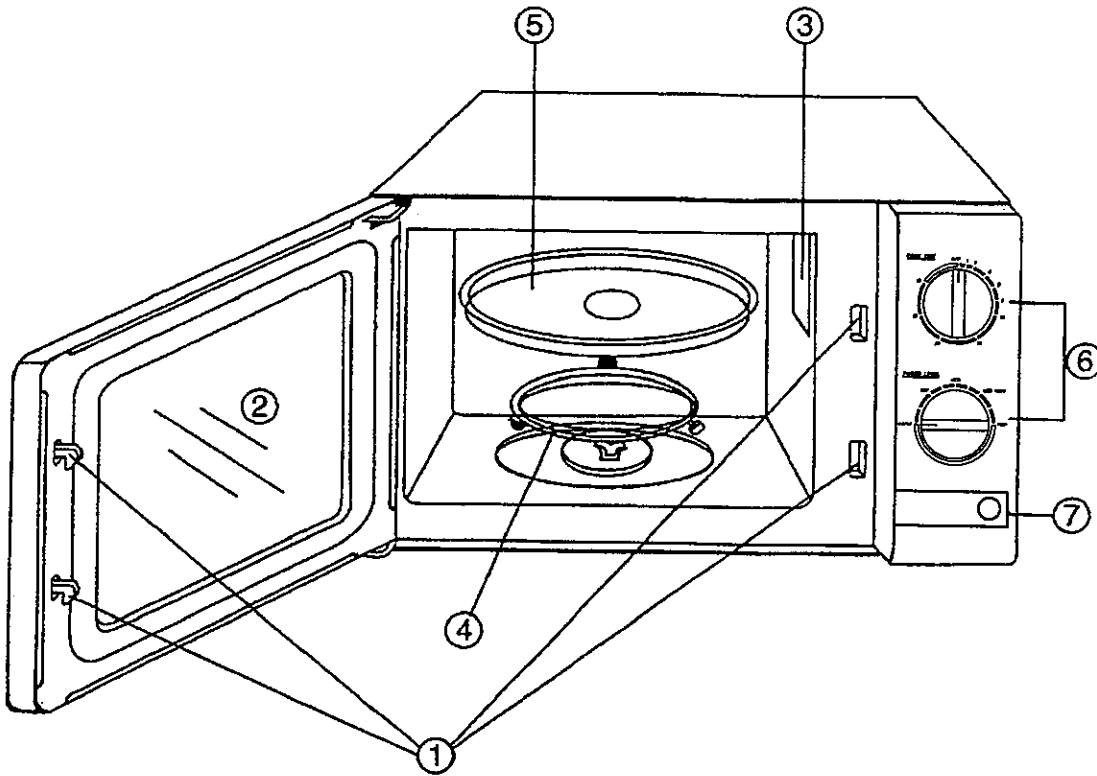
We're proud of our service and want you to be pleased. If for some reason you are not happy with the service you receive, here are some steps to follow for further help.

**FIRST**, contact the people who serviced your appliance. Explain why you are not pleased. In most cases, this will solve the problem.

**NEXT**, if you are still not pleased, write all the details, including your telephone number, and send to:

**Customer Service  
Avanti Products  
10880 NW 30 Street  
Miami, FL 33172**

## PARTS AND FEATURES



1. Door Safety Lock System
2. Oven Window
3. Oven Air Vent
4. Roller Ring
5. Glass Tray
6. Control Panel
7. Door Release Button

## Table of Contents

<b>Warranty Information and Registration Card</b>	<b>2</b>
<b>Help Us Help You</b>	<b>3</b>
<b>Parts and Features</b>	<b>4</b>
<b>Important Safety Instructions</b>	<b>6</b>
<b>Installation Instructions</b>	<b>7</b>
<b>Before Using Your Appliance</b>	<b>7</b>
<b>Installation of Your Appliance</b>	<b>7</b>
<b>Safety Precautions</b>	<b>7,8</b>
<b>General Use</b>	<b>7</b>
<b>Utensils</b>	<b>8</b>
<b>Food</b>	<b>8</b>
<b>Electrical Connection</b>	<b>9</b>
<b>Operating Your Appliance</b>	<b>10</b>
<b>Control Panel</b>	<b>10</b>
<b>Operation Procedure</b>	<b>11</b>
<b>Care and Maintenance</b>	<b>11</b>
<b>Cleaning Your Appliance</b>	<b>11</b>
<b>Troubleshooting Guide</b>	<b>12</b>
<b>Service For Your Appliance</b>	<b>13</b>
<b>Your Avanti Products Warranty</b>	<b>14</b>
<b>Parts Breakdown</b>	<b>15</b>
<b>Parts List</b>	<b>16</b>
<b>Wiring Diagram</b>	<b>17</b>

## Important Safety Instructions



To reduce the risk of fire, electrical shock, or injury when using your appliance, follow these basic precautions:

- Read all instructions before using the appliance.
- Some products such as whole eggs and sealed container-(for example, closed glass jars) may explode and should not be heated in microwave oven.
- Use this microwave oven only for its intended use as described in this manual.
- Do not use corrosive chemicals or vapors in this appliance. This type of oven is specifically designed to heat, cook, or dry food. It is not designed for industrial or laboratory use.
- As with any appliance, close supervision is necessary when used by children.
- Do not operate this microwave oven if it has a damaged cord or plug, if it is not working properly, or if it has been damaged or dropped.
- To reduce the risk of fire in the oven cavity:
  - Do not overcook food. Carefully attend microwave oven if paper, plastic, or combustible materials are placed inside the oven to facilitate cooking.
  - Remove wire twist-ties from bags before placing bag in oven.
  - If materials inside the oven should ignite, keep oven door closed, turn oven off at the wall switch, or shut off power at the fuse or circuit breaker panel.
  - Do not use the cavity for storage purposes. Do not leave paper products, cooking utensils, or food in the cavity when not in use.
- Only qualified service personnel should service this appliance. Contact the nearest authorized service facility for examination, repair or adjustment.
- Do not cover or block any openings on this appliance.
- Do not use this microwave oven to heat corrosive chemicals (for example, sulfides and chlorides). Vapors from such corrosive chemicals may interact with the contact and springs of the safety interlock switches thereby rendering them inoperable.
- Do not immerse cord or plug in water.
- Keep cord away from heated surfaces.
- Do not let cord hang over edge of table or counter.
- Never clean appliance parts with flammable fluids. The fumes can create a fire hazard or explosion.
- Do not store or use gasoline or any other flammable vapors and liquids in the vicinity of this or any other appliance. The fumes can create a fire hazard or explosion.

-Save these instructions-

## INSTALLATION INSTRUCTIONS

### ➤ Before Using Your Appliance

- Remove the exterior and interior packing.
- Check to be sure you have all of the following parts:
  - Glass Tray
  - Roller Ring
  - Instruction Manual
- Inspect the oven after unpacking for any visual damage such as:
  - Misaligned Door
  - Damaged Door
  - Dents or Holes in Door Window and Screen
  - Dents in Cavity

If any of the above are visible, DO NOT use the oven.

### ➤ Installation of Your Appliance

- When positioning the microwave oven, it should be set on a flat, steady surface.
- Do not block air vents. If they are blocked during operation, the oven may overheat and eventually cause oven failure.
- Poor television reception and radio interference may result if the oven is located close to a TV, radio, antenna, or antenna wire. Position the oven as far from them as possible.
- Clean the interior surface with lukewarm water using a soft cloth.
- Keep the oven away from hot air, steam or splashing liquids when choosing a place to locate it, otherwise, the unit's operation may be adversely affected, causing it to break down.
- Direct sunlight may affect the acrylic coating and heat sources may increase electrical consumption.
- Plug the appliance into an exclusive properly installed-grounded wall outlet. Do not under any circumstances cut or remove the third (ground) prong from the power cord. Any questions concerning power and or grounding should be directed toward a certified electrician or an authorized Avanti Products service center.
- DO NOT place anything on the top of the oven.
- Keep the oven at least 5 inches away from both sidewalls and away from rear wall to ensure the proper ventilation.
- DO NOT remove the turn-table drive shaft.

## SAFETY PRECAUTIONS

### ➤ General Use

- Do NOT attempt to tamper with or make any adjustments or repairs to door, control panel or any other part of the oven. Do NOT remove outer panel from oven. Repairs should only be done by qualified service personnel.
- Do NOT operate the oven empty. The microwave energy will reflect continuously throughout the oven if no food or water is present to absorb energy.

- Do NOT attempt to dry clothes, newspapers or other materials in oven. They may catch on fire.
- Do NOT use recycled paper products, as they may contain impurities, which may cause sparks and/or fires when used.
- Do NOT hit or strike control panel. Damage to controls may occur.

### ➤ Utensils

- METAL CONTAINERS or dishes with metallic rims should not be used. Arcing may occur.
- METAL TWIST-TIES may not be used in the microwave oven.
- Do NOT use SEALED JARS or NARROW NECK bottles for cooking or reheating. They may shatter.
- Do NOT use CONVENTIONAL THERMOMETERS in the microwave oven. They may cause arcing.
- Remove PLASTIC STORE WRAPS before cooking or defrosting in the oven.

### ➤ Food

- Never use your microwave oven for HOME CANNING. The oven is not designed to permit proper canning. Improperly canned food may spoil and be dangerous to consume.
- COOKING TIMES are approximate. Factors that may affect cooking are starting temperature, altitude, volume, size and shape of food and utensils used. As you become familiar with the oven, you will be able to adjust for these factors.
- It is better to UNDERCOOK RATHER THAN OVERCOOK foods. If food is undercooked, it can always be returned to the oven for further cooking. If food is overcooked, nothing can be done. Always start with minimum cooking times.
- SMALL QUANTITIES of food or foods with LOW MOISTURE content can burn, dry out or catch on fire if cooked too long.
- Do NOT boil eggs in their shell. Pressure may build up and the eggs will explode.
- Potatoes, apples, egg yolks, whole acorn squash and sausage are examples of food with NONPOROUS SKINS. These must be pierced before cooking to prevent bursting.
- POPCORN must be popped in a microwave corn popper. Microwave popped corn produces a lower yield than conventional popping. DO not use oven for popcorn unless popped in a microwave approved popcorn utensil or unless it's commercially packaged and recommended especially for microwave ovens. Do not use oil unless specified by the manufacturer.
- Do NOT attempt to deep fat fry in your oven.
- HEATED LIQUIDS can ERUPT if not mixed with air. Do not heat liquids in your microwave oven without first stirring.



➤ Electrical Connection

This appliance must be grounded. In the event of an electrical short circuit, grounding reduces the risk of electrical shock by providing an escape wire for the electric current. This appliance is equipped with a cord having a grounding wire with a grounding plug. The plug must be inserted into an outlet that is properly installed and grounded.

**⚡ Warning ⚡**

Improper use of the grounded plug can result in the risk of electrical shock. Consult a qualified electrician or service person if the grounding instructions are not completely understood, or if doubt exists as to whether the appliance is properly grounded.

The power cord of this appliance is equipped with a three-prong plug which mates with standard three prong wall outlets to minimize the possibility of electrical shock.

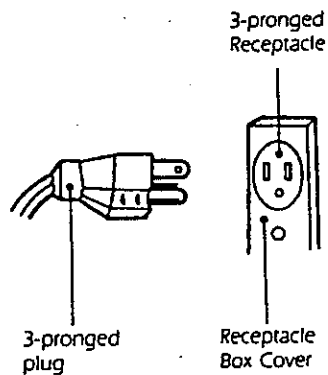
Do not under any circumstances cut or remove the third ground prong from the power cord supplied.

Use of extension cords is not recommended.

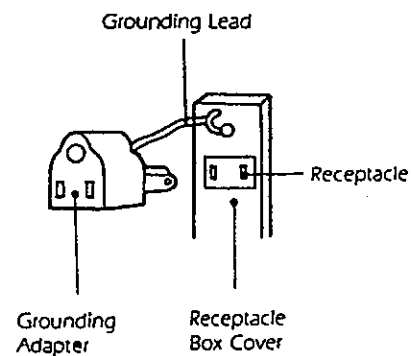
This appliance requires a standard 115/120 volt, 60Hz electrical outlet with three-prong ground.

The cord should be secured behind the appliance and not left exposed or dangling to prevent accidental injury.

**When using a 3-pronged plug**



**When using a grounding adapter, make sure the receptacle box is fully grounded**



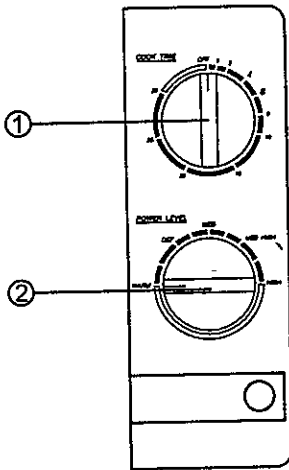
## OPERATING YOUR APPLIANCE

Although your oven is provided with safety features, it is important to observe the following:

- It is important not to defeat or tamper with safety interlocks.
- Do not place any object between the oven front face and the door or allow residue to accumulate on sealing surfaces. Wipe the sealing area frequently with a mild detergent, rinse and wipe dry. Never use abrasive powders or pads.
- When opened, the door must not be subjected to strain, for example, a child hanging on an opened door or any load which could cause the oven to fall forward and cause injury and damage the door. Do not operate the oven if it is damaged, until it has been repaired by a qualified service person. It is particularly important that the oven closes properly and that there is no damage to the:
  - Door (bent)
  - Hinges and latches (broken or loosened)
  - Door seals and sealing surfaces.
- The oven should not be adjusted or repaired by anyone except properly qualified service personnel.

### ➤ CONTROL PANEL

1. **Timer (0-30 Minutes)**
2. **Power Select**



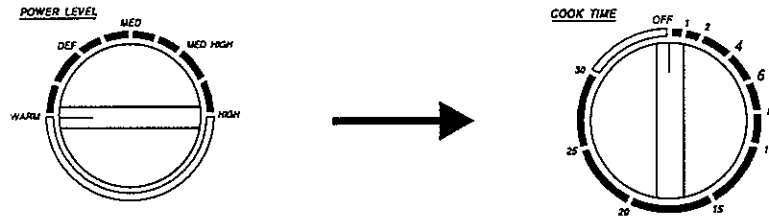
High:	100% Power Output
Med High:	85% Power Output
Med:	66% Power Output
Warm:	17% Power Output
Defrost:	40% Power Output

## ➤ OPERATION PROCEDURE

- Plug the power supply cord into a standard 3-pronged 15 Amp, 120v AC 60 Hz
- After placing the food in a suitable container, open the oven door and put it on the glass tray. The glass tray and roller guide must always be in place during cooking.
- Shut the door. Make sure that it is firmly closed.

To set a cooking program:

Place food in oven.



- Turn Power Select Control to correct required power level
- Select correct cooking time using Timer.

NOTE: as soon as Timer is turned, oven will start cooking food. When selecting time for less than 2 minutes, turn timer past 2 minutes and then return to correct timing.

ALWAYS RETURN TIMER BACK TO ZERO position if food is removed from oven before set cooking time is complete and when oven is not in use.

TO STOP OVEN when a cooking program is set, push Door Release Button and open door – microwaves automatically stop entering oven cavity because of safety door lock system. If remaining cooking time is not required, turn TIMER back to ZERO position before closing door.

## CARE AND MAINTENANCE

### ➤ Cleaning Your Appliance

- Turn the oven off and remove the power plug from the wall socket before cleaning.
- Keep the inside of the oven clean. When food splatters or spilled liquids adhere to oven walls, wipe with a damp cloth. Mild detergent may be used if the oven gets very dirty. The use of harsh detergent or abrasives is not recommended.
- The outside oven surfaces should be cleaned with a damp cloth. To prevent damage to the operating parts inside the oven, water should not be allowed to seep into the ventilation openings.
- Do not allow the control panel to become wet. Clean with a soft, damp cloth. Do not use detergents, abrasives or spray-on cleaners on the control Panel. When cleaning the control Panel, leave oven door open to prevent oven from accidentally turning on.
- If steam accumulates inside or around the outside of the oven door, wipe with a soft cloth. This may occur when the microwave oven is operated under high humidity conditions and in no way indicates malfunction of the unit.
- It is occasionally necessary to remove the glass tray for cleaning. Wash the tray in warm sudsy water or in a dishwasher.
- The roller ring and oven cavity floor should be cleaned regularly to avoid excessive noise. Simply wipe the bottom surface of the oven with mild detergent, water or window cleaner and dry. The roller ring may be washed in mild sudsy water or dishwasher. Cooking vapors collect during repeated use but in no way affect the bottom surface or roller ring wheels. When removing the roller ring from cavity floor for cleaning, be sure to replace it in the proper position.
- Remove odors from your oven by combining a cup of water with the juice and skin of one lemon in a deep microwavable bowl. Microwave for 5 minutes. Wipe thoroughly and dry with a soft cloth.
- When it becomes necessary to replace the oven light, please consult a dealer to have it replaced.

## PROBLEMS WITH YOUR APPLIANCE?

You can solve many common appliance problems easily, saving you the cost of a possible service call. Try the suggestions below to see if you can solve the problem before calling the servicer.

### TROUBLESHOOTING GUIDE

PROBLEM	POSSIBLE CAUSE
Appliance does not operate.	Not plugged in. The circuit breaker tripped or blown fuse. The door is not closed properly.
The light does not work.	The home circuit breaker or fuse has tripped. The appliance is unplugged.
Vibrations.	Check to assure that the appliance is level.

## SERVICE FOR YOUR APPLIANCE

We are proud of our customer service organization and the network of professional service technicians that provide service on your Avanti appliances. With the purchase of your Avanti appliance, you can have the confidence that if you ever need additional information or assistance, the Avanti Products Customer Service team will be here for you. Just call us toll-free.

### AVANTI PRODUCTS CUSTOMER SERVICES

Product Information 800-323-5029	Whatever your questions are about our products, help is available.
Part Orders 800-220-5570	You may order parts and accessories that will be delivered directly to your home. You may order these items by personal check, money order, Master Card, or Visa.
In-Home Repair Service 800-220-5570	An Avanti Products authorized service center will provide expert repair service, scheduled at a time that is convenient for you. Our trained servicers know your appliance inside and out.

**YOUR Avanti Products WARRANTY**

**Staple your sales receipt here. Proof of original purchase date is needed to obtain service under warranty.**

## **WHAT IS COVERED**

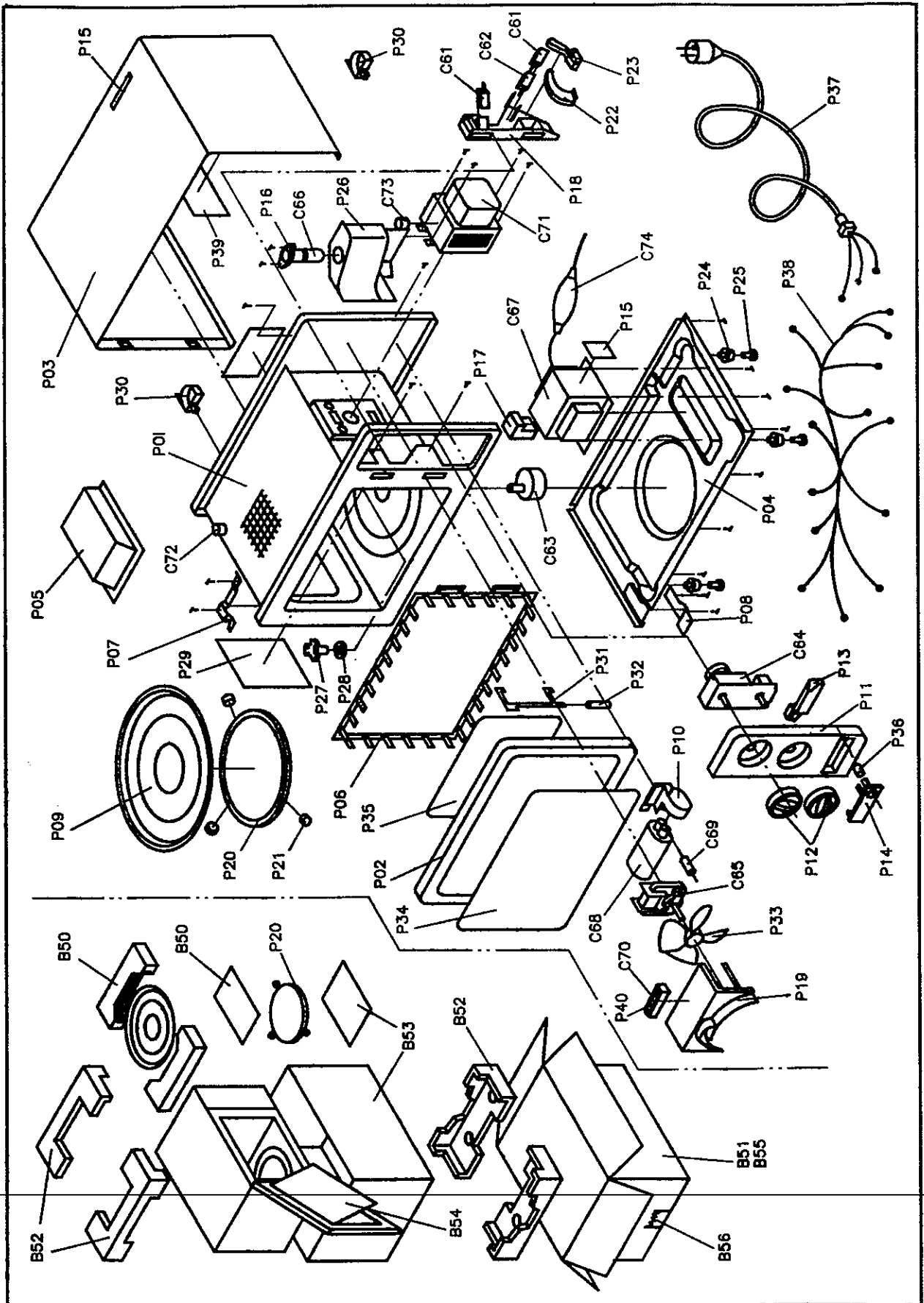
### **LIMITED ONE-YEAR WARRANTY**

For one year from the date of purchase by the original owner, Avanti Products will, at its option, repair or replace any part of the appliance which proves to be defective in material or workmanship under normal use. During this period Avanti Products will provide all parts and labor necessary to correct such defects free of charge, so long as the appliance has been installed and operated in accordance with the written instructions in this manual. In rental or commercial use, the warranty period is 90 days.

## **WHAT IS NOT COVERED**

- Incidental or consequential damages.
- Parts and labor costs for the following will not be considered as warranty:
  - Door springs, and/or frames.
  - Inner door panels, and/or door supports.
  - Light bulbs and/or plastic housing.
  - Repairs performed by unauthorized servicers.
- Service calls that do not involve defects in material or workmanship such as customer education, or proper installation.
- Service calls that are related to external problems, such as abuse, misuse, inadequate electrical power, accidents, fire, floods, or acts of God.
- Replacement of house fuses or resetting circuit breakers.
- Failure of the product if it is used for other than its intended purpose.
- This warranty does not apply outside the Continental USA.

# Parts Breakdown



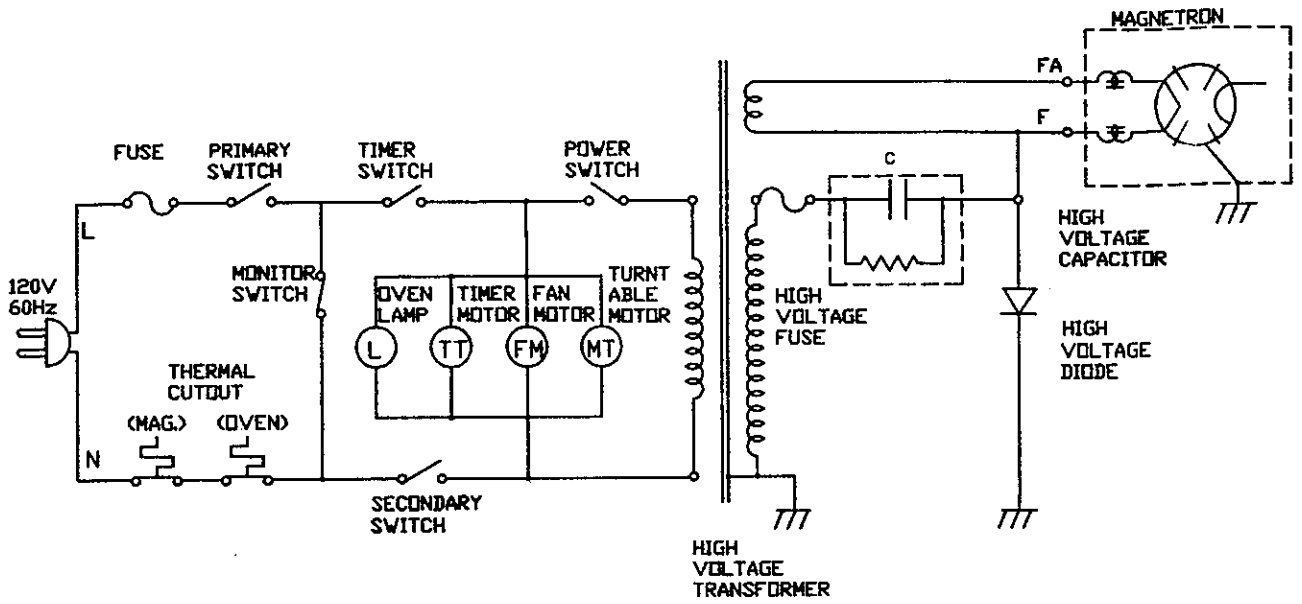
### Parts List

PART NO	PART NAME	Q' TY	PART NO	PART NAME	Q' TY
P01	Oven Cavity	1	P33	Fan Blade	1
P02	Door	1	P34	Outer Viewing Barrier	1
P03	Outer Enclosure	1	P35	Inner Viewing Barrier	1
P04	Base Enclosure	1	P36	Button Spring	1
P05	Air Guide	1	P37	Power Supply Cord	1
P06	Plastic Cover	1	P38	Wire Harness	1 set
P07	Upper Hinge	1	P39	Insulating Film	1
P08	Lower Hinge	1	P40	Fuse Holder	1
P09	Turntable	1			
P10	Capacitor Holder	1	B50	Owner s Manual	1
P11	Control Panel	1	B51	Carton	1
P12	Knob	2	B52	Foam Cushion	6
P13	Door Release Level	1	B53	Plastic Bag	2
P14	Door Opening Button	1	B54	Plastic Film	1
P15	Label	10	B55	Wrapping Nail	12
P16	Lamp Bracket	1	B56	Tape	2
P17	Shock-Proof Rubber	1			
P18	Microswitch Mounting Bracket	1			
P19	Fan Holder	1	C61	Microswitch (P, S)	2
P20	Roller Ring	1	C62	Microswitch (M)	1
P21	Ring Wheels	3	C63	Turntable	1
P22	Inner Rotary Arm	1	C64	Timer	1
P23	Outer Rotary Arm	1	C65	Fan Motor	1
P24	Foot	4	C66	Oven Lamp	1
P25	Foot Pin	4	C67	Transformer	1
P26	Air Duct	1	C68	H.V Capacitor	1
P27	Turntable Gear	1	C69	H.V Diode	1
P28	Washer	1	C70	Fuse	1
P29	Mica Sheet	1	C71	Magnetron	1
P30	Power Supply Cord Holder	2	C72	Thermostat KSD105	1
P31	Latch	1	C73	Thermostat KSD180	1
P32	Latch Spring	1	C74	H.V Fuse	1

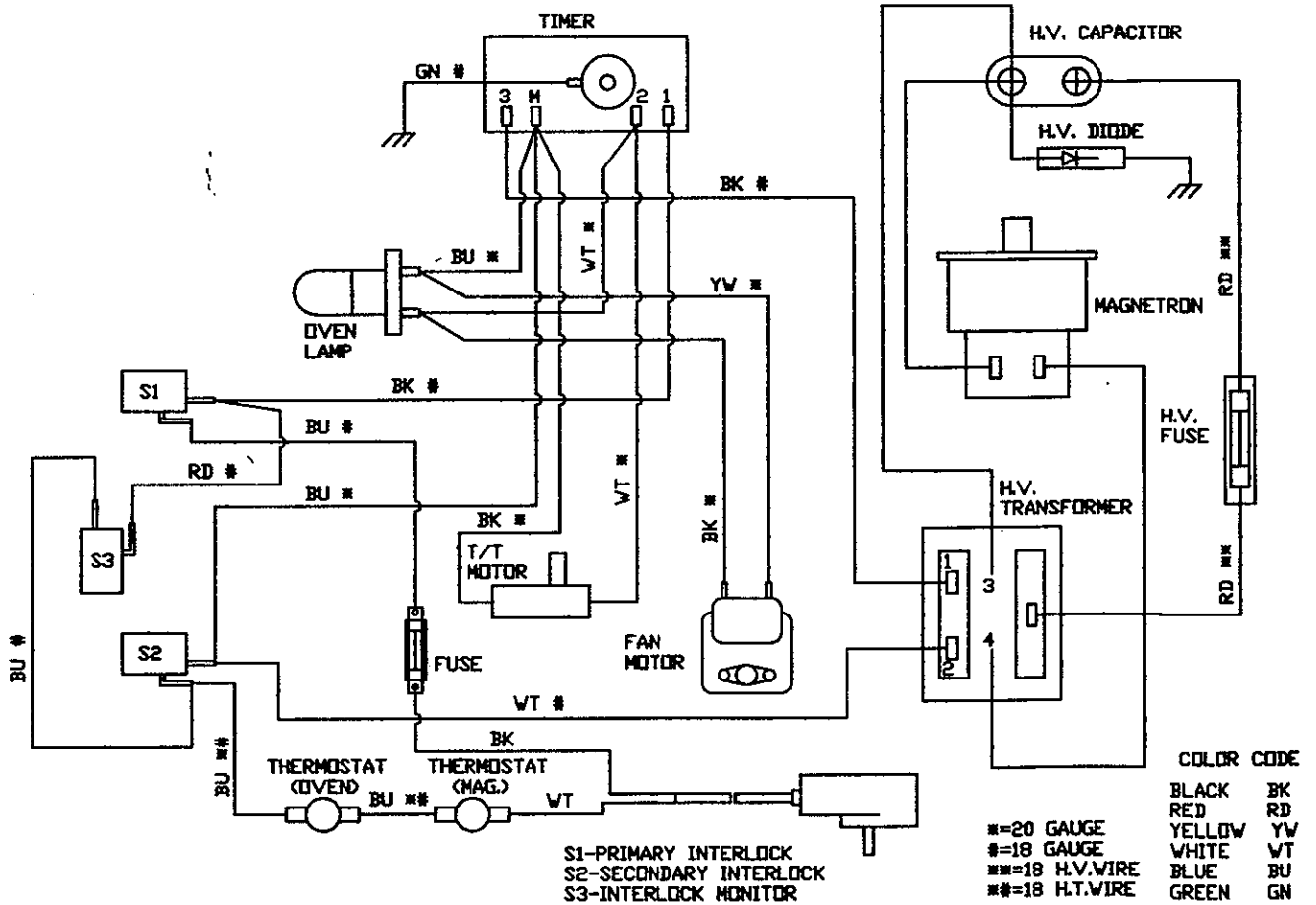


# SCHEMATIC DIAGRAM

NOTE: Door is opened  
Unit not in operation



MO619M (UL CIRCUIT)



MO619M

(WIRING DIAGRAM)

## Free Manuals Download Website

<http://myh66.com>

<http://usermanuals.us>

<http://www.somanuals.com>

<http://www.4manuals.cc>

<http://www.manual-lib.com>

<http://www.404manual.com>

<http://www.luxmanual.com>

<http://aubethermostatmanual.com>

Golf course search by state

<http://golfingnear.com>

Email search by domain

<http://emailbydomain.com>

Auto manuals search

<http://auto.somanuals.com>

TV manuals search

<http://tv.somanuals.com>