

Avanti

AVANTI PRODUCTS DIVISION OF THE MACKLE CO. INC.
P.O. BOX 520604 - MIAMI FLORIDA 33152

CONSUMER INFORMATION SERVICE,

**IF YOU NEED ASSISTANCE, CALL TOLL FREE
FROM ANYWHERE IN THE UNITED STATES
(800) 220 - 5570.**

USER'S GUIDE DOUBLE DOOR REFRIGERATOR

Record serial number and model number of this
appliance in space provided below.

Serial Number 5408

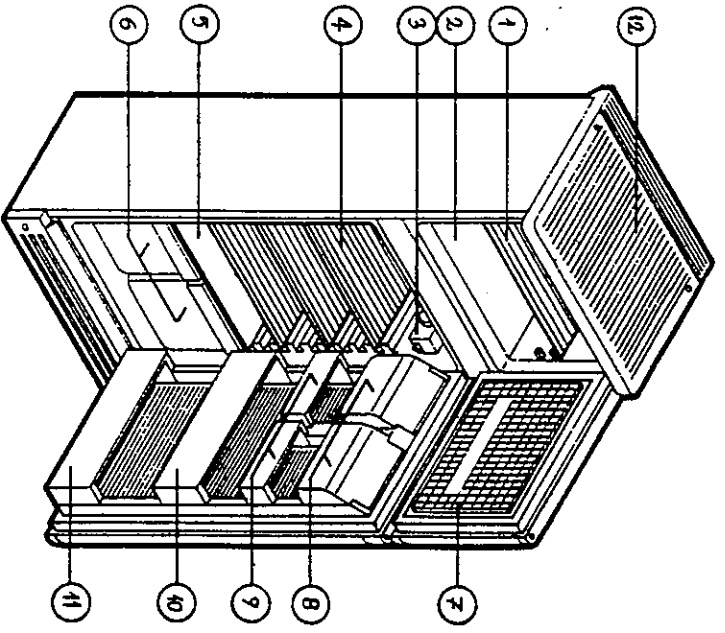
Model Number 1092-YWT

Retain these numbers for reference



Serial (Part A) cycle

Contents	Pages
Parts and Features	2
Installation / Safety Instructions	3
Setting the Controls	3-4
Defrosting	4
Changing the Light Bulb	5
Vacation and Moving Care	5
Food Storage Guide	6-7
Cleaning your Refrigerator	8
Assistance or Repair Service	9
Electric Circuit Diagram	10
Changing Reversible Doors	11-12
Warranty	13



PARTS and FEATURES

- 1. Freezer shelf
- 2. Freezer compartment
- 3. Thermostat box
- 4. Shelves
- 5. Transparent vegetable shelf
- 6. Storage compartment
- 7. Freezer door
- 8. Dairy compartment
- 9. Adjustable door shelf
- 10 - 11. Bottle rack
- 12. Upper plate

Important Safety Instructions

WARNING

To reduce the risk of fire, electrical shock, or injury when using your refrigerator, follow these basic precautions:

- Read all instructions before using the refrigerator.
- Child entrapment and suffocation are not problems of the past. Junked or abandoned refrigerators are still dangerous... even if they will just sit in the garage a few days.
If you are getting rid of your old refrigerator, do it safely. Please read the safety booklet from the Association of Home Appliance Manufacturers. Help prevent accidents.
- Never allow children to operate, play with, or crawl inside the refrigerator.
- Never clean refrigerator parts with flammable fluids. The fumes can create a fire hazard or explosion.
- **FOR YOUR SAFETY**
DO NOT STORE OR USE GASOLINE OR OTHER FLAMMABLE VAPORS AND LIQUIDS IN THE VICINITY OF THIS OR ANY OTHER APPLIANCE. THE FUMES CAN CREATE A FIRE HAZARD OR EXPLOSION.

- SAVE THESE INSTRUCTIONS -

ELECTRICAL CONNECTION

RECOMMENDED GROUNDING METHODS

- This appliance should be properly grounded for your safety. The power cord of this appliance is equipped with a three-prong plug which mates with standard three prong wall outlet to minimize the possibility of electric shock hazard from this appliance.
- Do not, under any circumstances, cut or remove the third ground prong from power cord supplied with this appliance.
 - Use of extension cords are not recommended.
 - The location you choose should be away from heat sources like stove, heater, or radiator.
 - Avoid installing your refrigerator in humid places (like next to sinks).

LEVELING

Place your refrigerator on a floor strong enough to support it when fully loaded.
Make your refrigerator stand level by adjusting the legs provided in case of uneven floors.

SETTING THE CONTROLS

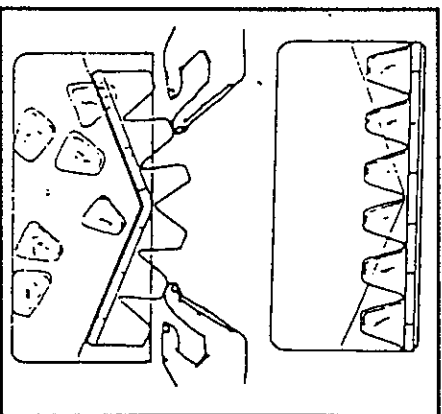
Your refrigerator has only one control for regulating the temperature in the fresh food and in the freezer compartment. It is located on the upper right side of the lower section.
When the refrigerator is plugged in for the first time, set the control to 3. Temperature control adjustments range from 1 (warmest) to 6 (coldest).
In a day or two, you may decide if the control is set correctly. The setting indicated above should be correct for normal, household refrigerator usage. If you use the freezer section often, set the control to 6. The number six setting is recommended for short term usage only. The controls will be set correctly when milk or juice is as cold as you like and when ice cream is firm. You will find on pages 6 & 7 some suggestions for storing fresh or frozen food.

USE OF THE ICE CUBE TRAYS

An ice box is supplied together with an ice tray. For your ice requirements, fill approximately 3/4 of the tray after having washed it.

To eject ice cubes into the bucket provided, insert the ice tray and twist slightly until the pieces of ice fall.

If cubes are not used, they may shrink. The longer cubes are stored, the smaller they get.



DEFROSTING

Your refrigerator defrosts the ice on the lower part automatically. During this cycle, the water formed by melting frost in the freezer is directed down the back wall and drained into a shallow plastic pan beneath the cabinet where it is evaporated. ~~To remove the defrost pan at the bottom of the cabinet, pull it out and set it aside. This pan should be cleaned at least once a year.~~ Check also the draining pipe at regular intervals to see if it is clogged.

~~To remove the defrost pan, pull it out and set it aside.~~

When there is excessive frost in the deep freezer section, from time to time you may have to defrost this section as follows:

First, run the temperature control to the coldest setting for about 12 hours; this way when you remove the food out, they will be protected during the period of defrosting. Then unplug the refrigerator and use the plastic spatula supplied with it to clean the frost. Never remove the ice with a sharp or pointed object. Let the ice melt by itself.

After the ice and frost melts, dry the water with a sponge and/or a paper towel. Place the food previously removed.

CHANGING THE LIGHT BULB

Before removing the light bulb, either unplug the refrigerator or disconnect the electricity leading to the refrigerator at the main power supply. Failure to do so could result in electrical shock or personal injury.

To change the refrigerator light:

- 1-Remove the bulb cover in front of the thermostat box. Notice there is a screw holding this cover.
- 2-Remove bulb.
- 3-Replace with a 15 watt appliance bulb.
- 4-Reconnect refrigerator to power supply.

Note: Be sure to replace bulb with one of the same size and shape.

VACATION AND MOVING CARE

VACATION

Remove all the food if you are going for a month or more. Unplug the refrigerator and clean it. Rinse well and dry. Keep doors open far enough for air to get in. This will keep odor and mold from building up.

MOVING

Remove all food. Pack frozen in dry ice. Unplug the refrigerator and clean it thoroughly. Take out all removable parts. Wrap all parts and tape them together so they do not shift and rattle. Screw in the leveling legs and tape the doors shut. Be sure refrigerator stays in upright position during actual moving and in van. Protect outside of refrigerator with blanket. When you get to your new home, refer to page 3.

FRESH FOOD GUIDE

There is a correct way to pack and store refrigerated or frozen food. To keep food fresher, longer, take the time to study these recommended steps.

Storing fresh food

Food placed in the refrigerator should be wrapped or stored in air and moisture proof material. This prevents food odor and taste transfer throughout the refrigerator. For dated products, check code date to ensure freshness.

Leafy vegetables

Remove store wrapping and trim or tear off bruised and discolored areas. Wash in cold water and drain. Place in plastic bag or plastic container and store in crisper.

Vegetables with skins (carrots, peppers)

Store in crisper, plastic bags or plastic container.

Fruit

Wash, let dry and store in refrigerator in plastic bags or crisper. Do not wash or hull berries until they are ready to use. Sort and keep berries in their store container in a crisper, or store in a loosely closed paper bag on a refrigerator shelf.

Eggs

Store without washing in the original carton on door compartment.

Milk

Wipe milk cartons. For best storage, place milk on interior shelf.

Butter or margarine

Keep opened butter in covered dish or closed compartment. When storing an extra supply, wrap in freezer packaging and freeze.

Cheese

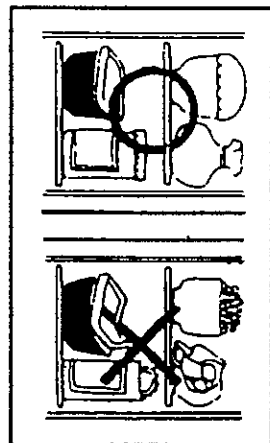
Store in the original wrapping until you are ready to use it. Once opened, rewrap tightly in plastic wrap or aluminum foil.

Leftovers

Cover leftovers with plastic wrap or aluminum foil. Plastic containers with tight lids can also be used.

Meat

Most meat can be stored in original wrapping as long as it is air and moisture proof. Rewrap if necessary. See the following chart for storage times.



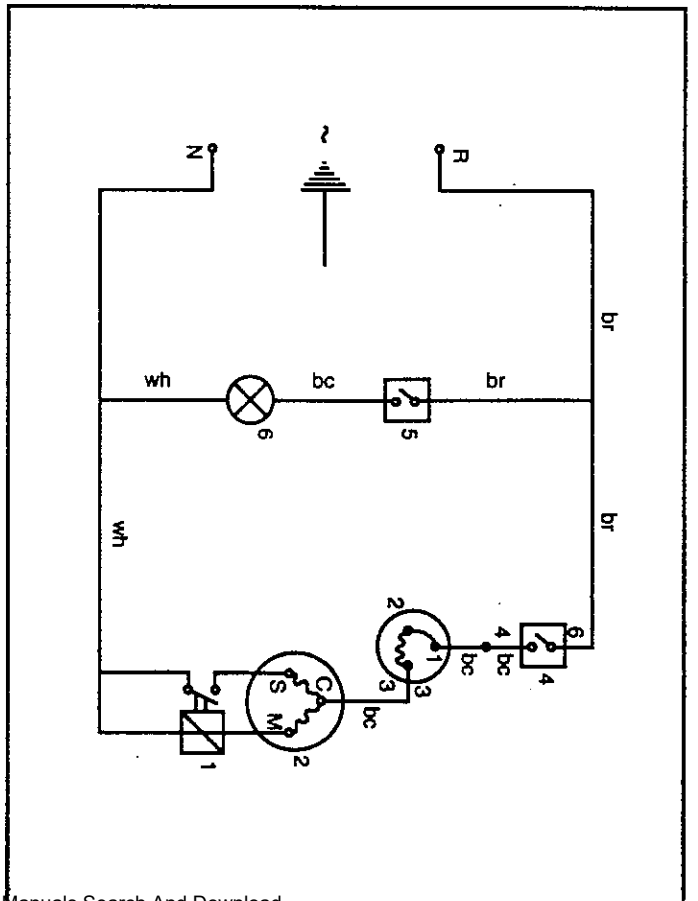
TYPE	APPROXIMATE TIME (DAYS) *
Chicken	1 to 2
Ground beef	1 to 2
Steaks and roasts	3 to 5
Cured meats	7 to 10
Bacon	5 to 7
Cold cuts	3 to 5
Variety meats	1 to 2

*If meat is to be stored longer than the times given, follow the directions for freezing. NOTE: Fresh fish and shellfish should be used the same day as purchased.

AVOID UNNECESSARY SERVICE CALLS

Before calling a serviceman, check the chart below for problems you can fix without difficulty and save you the cost of a service call.

PROBLEM	POSSIBLE CAUSE	SOLUTION
Your refrigerator will not operate	The power supply cord is not plugged into a live circuit with proper voltage. A household fuse has blown or circuit breaker tripped. The Refrigerator Control is not set correctly.	Firmly plug power cord into a live circuit with proper voltage. Replace household fuse or reset circuit breaker. Set Refrigerator Control to a numbered setting.
Unfamiliar sounds or a rattling/jingling noise.	There is something on top of or behind the refrigerator. The sounds are normal.	Remove item from on top of or behind the refrigerator. New features on your new refrigerator make new sounds.
There is water in the defrost pan.	This is normal in hot, muggy weather. The pan may even be half full.	Make sure the refrigerator is level so the pan does not overflow.
The lights do not work.	A household fuse has blown or circuit breaker tripped. The power supply cord is not plugged into a live circuit with proper voltage. The bulb is burned out.	Replace household fuse, or reset circuit breaker. Firmly plug power cord into a live circuit with proper voltage. Replace bulb.
The motor seems to run too much.	The condenser coils are dirty. It is hot outside or in the room. The door has been opened frequently. A large amount of food has been put in at one time.	Clean the coils. On hot days, or if the room is too warm, the motor naturally runs longer. Open the door as few times as possible. The motor will run longer in order to cool down the interior when food is added.



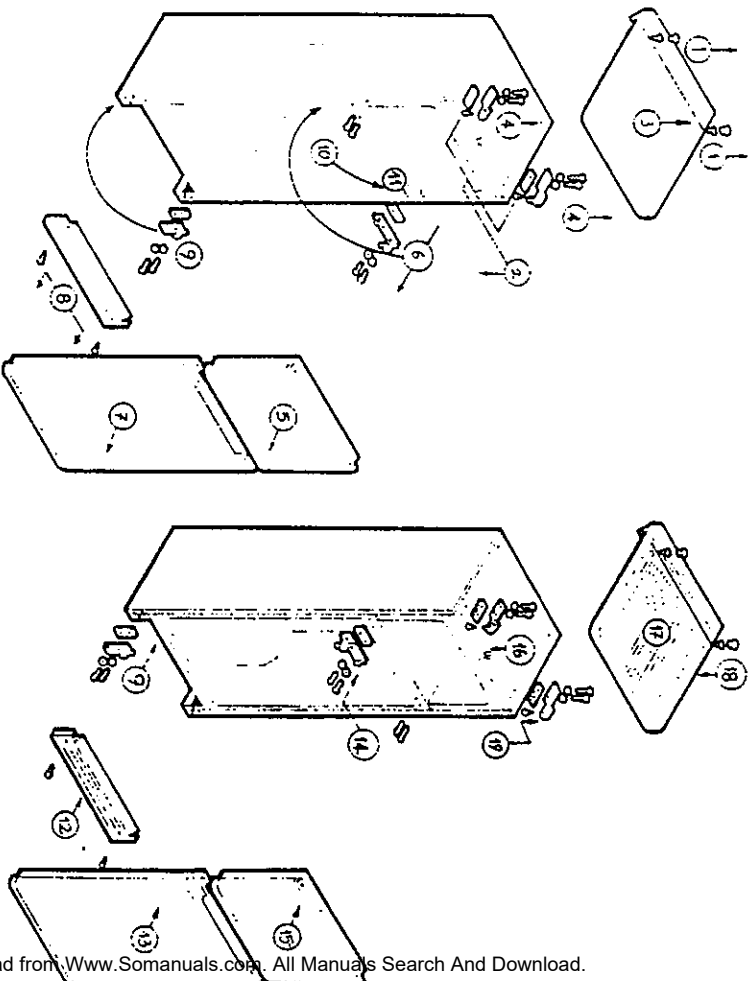
- 1 - RELAY
- 2 - COMPRESSOR
- 3 - OVERLOAD PROTECTOR
- 4 - THERMOSTAT
- 5 - BUTTON
- 6 - LAMP

- br - brown
- bc - black
- wh - white
- bl - blue

Changing Reversible Doors:

This refrigerator has been built with the door hinges on the right. If you wish to change the opening direction, follow instructions below.

- 1- Remove the upper rounded top (3). Using a sharp object, pry out the 2 plug buttons (1) and remove the (2) PHILLIPS screws (1). Remove the 2 PHILLIPS screw (2) which connect the upper hinges to the upper rounded top. Place top plate (3) on a padded surface to prevent scratching.
- 2- Remove the hex-head screws of the upper hinge (4). Carefully lift the freezer door (5) and place it on a padded surface to prevent scratching.
- 3- Remove the PHILLIPS screws of the center hinge (6). Carefully lift the door (7) and place it on a padded surface to prevent scratching. Save the parts removed for future use.
- 4- Remove the kick plate (grille base) (8) by taking out the screws at each side of it with a PHILLIPS screwdriver.
- 5- Remove the lower hinge (9) from the right side and transfer it to the left end.
- 6- Using a sharp object, pry out the plug buttons of the middle hinge holes (10). Press them into the opposite corner (11).
- 7- Fit the grille base (12) into its place.
- 8- Set the lower door (13) to its place making sure the hinge pin enters the bushing in the door bottom section.
- 9- While holding the door in the closed position, loosely secure the center hinge (14) using the screw removed (STEP 3)
- 10- Set the freezer door (15) to its place making sure the hinge pin enters the door bushing in the bottom sections of the door.
- 11- While holding the freezer door in the closed position, loosely secure the upper hinge (16) using the bolts removed in STEP 2.
- 12- Before tightening these bolts, make sure the top of the door is level with the cabinet top, and the space between the doors is equidistant across the entire front. Avoid over-tightening these screws. Tighten both until they are just snug, then turn them another one-half turn.
- 13- Replace the upper rounded top (17).
- 14- Tighten the upper rounded top screws (18) and press the plug buttons (19).
- 15- Fit and tighten the screws (19) which connect the upper hinges to the upper rounded top.



REFRIGERATOR AND FREEZER PRODUCT WARRANTY

FULL ONE YEAR WARRANTY

For the first year after purchase and use within the continental United States by the original consumer, Avanti Product, Inc., will at its option, repair or replace any part of the AVANTI Refrigerator or Freezer which proves to be defective in material or workmanship under normal use. In commercial or rental application the warranty period is ninety (90) days. During this period Avanti Products will provide all parts and labor necessary to correct such defects free of charge, so long as the appliance has been installed and operated in accordance with the written instructions furnished with the appliance.

The customer will be responsible for cost of service calls resulting from problems considered Normal Responsibilities of User (See paragraph so entitled)

To obtain service on your Avanti Refrigerator or Freezer refer to the Directory of Avanti Authorized Appliance Service Stations and call the closest company for inspection and repair of the appliance under the terms of this warranty.

All Avanti Appliances of 3.5 cubic foot capacity or less must be brought/sent to the applicable service shop for repair.

LIMITED SECOND THROUGH FIFTH YEAR COMPRESSOR WARRANTY

For the second through fifth years of use Avanti Products will make available a replacement compressor as may be required due to failure. In commercial or rental use this additional limited compressor warranty in one (1) year and nine months. Any and all labor charges for determination of cause of failure, installation of the replacement compressor and transportation / handling charges for shipment of the replacement compressor will be the responsibility of the user.

Cartage charges for moving the appliance to a service shop (as may be required) and back to the user's home will also be the user's responsibility.

EXCLUSIONS

Avanti Products shall not be responsible for content losses food or otherwise incidental or consequential damages resulting from the failure of the product to conform to any express or implied warranty. In addition, Avanti Products is not responsible for service calls which do not involve defects in material or workmanship or other external causes such as abuse, misuse, inadequate power supply or Acts of God.

Therefore, cost of replacement or repair of the following items, parts or labor, will not be considered warranty repairs:

- 1- Evaporator doors.
 - 2- Evaporator door springs and / or frames.
 - 3- Inner door panels (includes plastic door shelves) and chest freezer lid liners.
 - 4- Door shelf rails and /or supports.
 - 5- Vegetable crispers.
 - 6- Vegetable crisper covers (glass or plastic).
 - 7- Light bulbs and/or plastic housing.
 - 8- Plastic cabinet liners.
 - 9- Punctured evaporators which will void the warranty on the complete refrigerating system, i.e. compressor, condenser, evaporator and related tubing.
- This warranty does not apply in Hawaiian Island, U.S. Virgin Islands, Puerto Rico and/or any foreign country.

NORMAL RESPONSIBILITIES OF USER

- 1- Proper installation and use of the appliance in accordance with instructions supplied with the Refrigerator or Freezer.
 - 2- Replacement of light bulbs.
 - 3- Repair of damage to finish.
 - 4- Proper connection to power supply of sufficient voltage.
 - 5- Replacement of blown fuses.
 - 6- Repair of loose connections or defect in house wiring.
 - 7- Accessibility of the appliance to the service technician for repairs.
- The user must keep a copy of the Bill of Sale, or Payment Record verifying the purchase date to validate this warranty.

**AVANTI PRODUCTS, DIVISION
OF THE MACKLE CO., INC.
P.O. BOX 520604-MIAMI
FLORIDA 33152**

Free Manuals Download Website

<http://myh66.com>

<http://usermanuals.us>

<http://www.somanuals.com>

<http://www.4manuals.cc>

<http://www.manual-lib.com>

<http://www.404manual.com>

<http://www.luxmanual.com>

<http://aubethermostatmanual.com>

Golf course search by state

<http://golfingnear.com>

Email search by domain

<http://emailbydomain.com>

Auto manuals search

<http://auto.somanuals.com>

TV manuals search

<http://tv.somanuals.com>