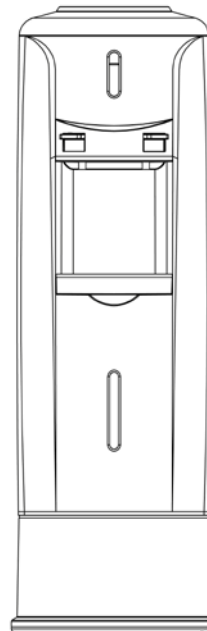




**INSTRUCTION MANUAL
MANUAL DE INSTRUCCIONES**

Model Number/Número de Modelo

WD362BP



CAUTION:

BEFORE USE, PLEASE READ AND FOLLOW ALL SAFETY RULES AND OPERATING INSTRUCTIONS.

Avanti has a policy of continuous improvement on its products and reserves the right to change materials and specifications without notice.

La sección en español empieza en la página 14

**Avanti Products
P.O. Box 520604 - Miami, Florida 33152
www.avantiproducts.com**

TABLE OF CONTENTS

Help Us Help you	4
Parts and Features	5
Important Safety Instructions	6
Electrical Connection	6
Installation Guidelines	6
Height Adjustment Platform	7 – 8
Operation Instructions	9
Before Using Your Water Dispenser	9
Operating Your Water Dispenser	10
Replacing the Water Bottle	10
Cold Water Control	10
Hot Water Control	10
Child Safety Guard (Hot Water Faucet)	10
Cup Dispenser (Optional)	10
Care and Maintenance	11
Taking the dispenser out of service	11
Problems with Your Water Dispenser	11
Troubleshooting Guide	11
Service for Your Water Dispenser	12
Wiring Diagram	12
Your Avanti Products Warranty	13
Instrucciones en Español	14 – 17
Registration Information and Registration Card	19

HELP US HELP YOU...

Read this guide carefully.

It is intended to help you operate and maintain your new water dispenser properly.

Keep it handy to answer your questions. If you don't understand something or you need more help, please call:

Avanti Customer Service
800-220-5570

Keep proof of original purchase date (such as your sales slip) with this guide to establish the warranty period.

Write down the model and serial numbers.

You'll find them on a label located on the back side of the unit.

Please write these numbers here:

Date of Purchase

Model Number

Serial Number

Use these numbers in any correspondence or service calls concerning your water dispenser.

If you received a damaged water dispenser, immediately contact the dealer (or builder) that sold you the water dispenser.

Save time and money. Before you call for service, check the Problem Solver Guide. It lists causes of minor operating problems that you can correct yourself.

IF YOU NEED SERVICE

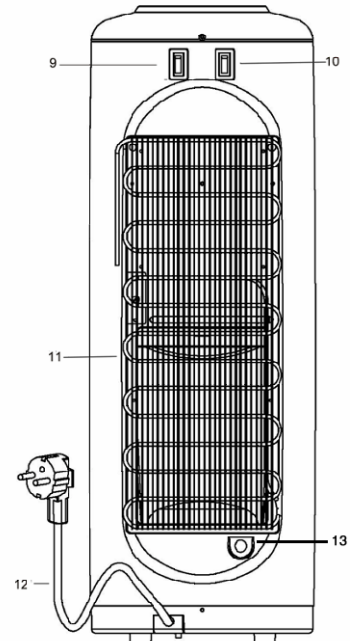
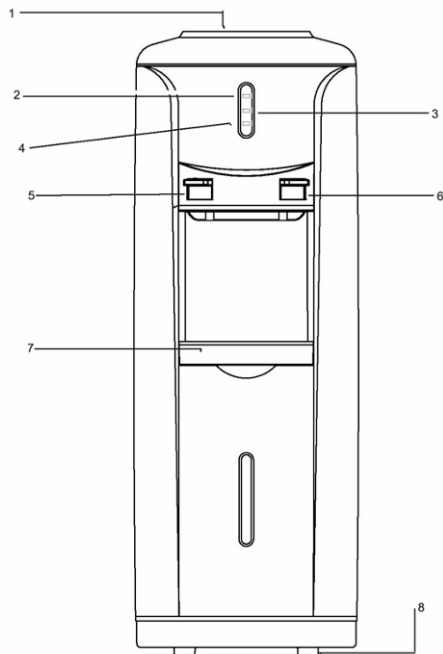
We're proud of our service and want you to be pleased. If for some reason you are not happy with the service you receive, here are some steps to follow for further help.

FIRST, contact the people who serviced your appliance. Explain why you are not pleased. In most cases, this will solve the problem.

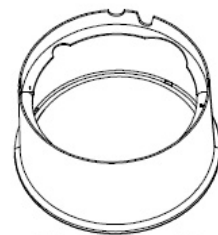
NEXT, if you are still not pleased, write all the details, including your telephone number, and send to:

Customer Service
Avanti Products
10880 NW 30 Street
Miami, FL 33172

PARTS AND FEATURES



1. WATER INTAKE
2. HOT WATER LIGHT (RED)
3. POWER INDICATOR (YELLOW)
4. COLD INDICATOR LIGHT (GREEN)
5. HOT WATER FAUCET (PINK)
6. COLD WATER FAUCET (GREY)
7. REMOVABLE DRIP TRAY
8. ADJUSTABLE FOOT
9. COOLING SWITCH
10. HEATING SWITCH
11. CONDENSER COIL
12. POWER SUPPLY CORD
13. WATER DRAIN



HEIGHT ADJUSTMENT PLATFORM

Important Safety Instructions

⚡ WARNING ⚡	To reduce the risk of burns, fire, electrical shock, or injury when using your appliance, follow these basic precautions:
<ul style="list-style-type: none">• Read all instructions before using the water dispenser.• Never clean parts with flammable fluids. The fumes can create a fire hazard or explosion.• Do not store or use gasoline or any other flammable vapors and liquids in the vicinity of this or any other water dispenser. The fumes can create a fire hazard or explosion• Do not plug unit into receptacle until you ensure the water tank switches are off. <p style="text-align: center;">-Save these instructions-</p>	

➤ **Electrical Connection**

This appliance should be properly grounded for your safety. The power cord of this appliance is equipped with a three-prong plug which mates with standard three prong wall outlets to minimize the possibility of electrical shock.

Plug the appliance into an exclusive properly installed-grounded wall outlet. Do not under any circumstances cut or remove the third (ground) prong from the power cord. Any questions concerning power and or grounding should be directed toward a certified electrician or an authorized Avanti Products service center.

This appliance requires a standard 115/120-volt 60Hz electrical outlet with three-prong ground.

The cord should be secured behind the appliance and not left exposed or dangling to prevent accidental injury.

Do not use an adapter plug with this appliance.

Do not use an extension cord with this appliance. If the power cord is too short, have a qualified electrician or service technician install an outlet near the appliance.

INSTALLATION GUIDELINES:

- Remove the exterior and interior packing.
- Place your appliance on a floor that is strong enough to support the dispenser when it is fully loaded. If it does not sit level on the floor, adjust the front right foot to level the unit well to the floor. Note: Only the front right foot is adjustable.
- Locate the appliance away from direct sunlight and sources of heat (stove, heater, radiator, etc.). Direct sunlight may affect the acrylic coating and heat sources may increase electrical consumption. Extreme cold ambient temperatures may also cause the appliance not to perform properly.
- Allow 2 inches of space between the water dispenser and the wall, which allows for proper air circulation to cool the compressor.
- Plug the appliance into an exclusive properly installed-grounded wall outlet. Do not cut or remove the third (ground) prong from the power cord under any circumstances. Any questions concerning power and/or grounding should be directed toward a certified electrician or an authorized Avanti Products service center.
- This water dispenser is not recommended for outdoor use.
- Do not locate the dispenser in area where the temperature may fall below freezing (32° F).
- Keep area around dispenser free of dust and dirt.
- Keep the reserve supply of water bottles away from excessive heat and light.
- Never unplug the water cooler, except for maintenance.

Height Adjustment Platform

- To make the water dispenser faucets more accessible your unit has been supplied with a height adjustment platform. The platform requires assembly as shown below.

Parts Provided:

1 Front Panel

1 Back Panel

1 Stability Ring (located on the top foam cover)

2 Short Screws and 2 Long Self-tapping Screws (located in the bag with instruction manual)

Remove all parts from the box and remove the packing materials.

- a) Align both the front and back panels of the platform and assemble as shown in figure 1.

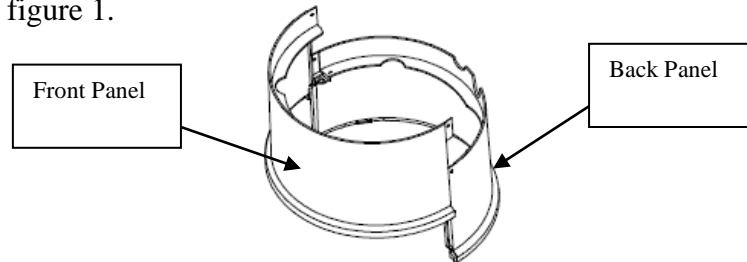


Fig. 1

- b) Align the assembled platform to the bottom stability ring as shown in figure 2a. Align the areas marked "1" and "2" on the platform with same areas marked "1" and "2" on the stability ring.

(NOTE: These areas must be aligned correctly for the unit to be assembled. If the platform is not aligned correctly to the stability ring, the retaining clips could be permanently damaged and cause the platform to be un-useable).

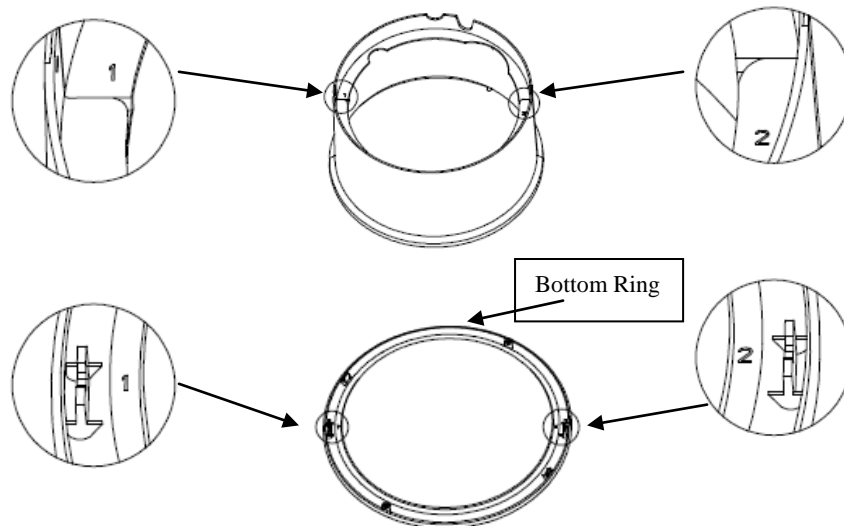


Fig 2a

- c) Be sure that both the clips on each side of the platform and the screw holes align correctly before inserting the clips in their respective slots on the stability ring as shown in Fig 2b.

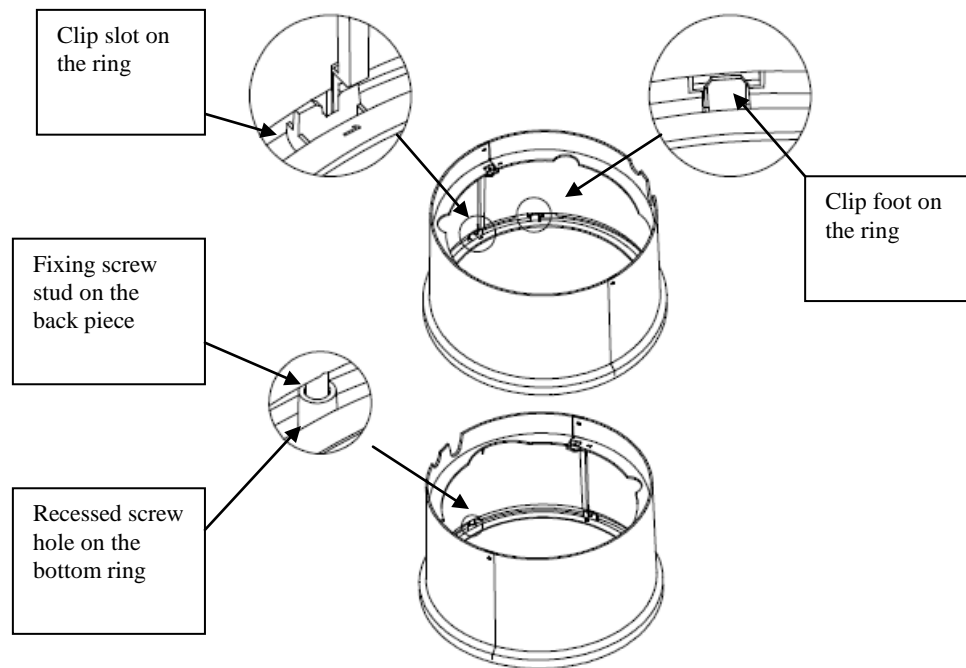


Fig 2b

- d) Once you have assembled both the platform and stability ring together, using the screws (2 short) provided firmly secure the stability ring to the platform as shown in Fig 2b and Fig 2c.

(insert figure 2c.)

- e) Place the water dispenser on the assembled platform and firmly secure the water dispenser and platform together using the screws provided (2 long self-tapping). Be sure the power cord fits securely over the cutout in the back panel.

OPERATION INSTRUCTIONS

Before Using Your Water Dispenser

- Check to be sure the following parts are included:
 - Instruction manual
 - 4 extra cup dispenser cabinet plugs
 - Accessories order form.
 - 1 height adjustment platform assembly (2 panels, 1 stability ring, 4 screws)
- Before connecting the appliance to the power source, let it stand upright for approximately 2 hours. This will reduce the possibility of a malfunction in the cooling system from handling during transportation.
 - The water dispenser is pre-cleaned at the factory but the reservoir and water lines must be flushed with fresh water before use as follows:
 - Keep the unit unplugged.
 - Fill water tank with tap water full to capacity (more than 3/4 of a gallon). Wait for 5 minutes until water settles.
 - Press the hot water faucet until water comes out, then stop.
 - Plug the dispenser into the electrical outlet. Both heating and cooling indicator lights on front will light up at first. We are ready to complete the first cycle. In order to do that, wait for the hot water indicator light to go off first (approximately 10 minutes), then wait for the cold water indicator light to go off (another 40 minutes, approximately).
 - Unplug the dispenser from the electrical outlet. Proceed to drain the water from the faucets one at a time until no more water remains.
 - (Note: To facilitate this operation, use a large container).
 - Then, drain any water left in the tanks by opening the drain plug located on the back, until it drains completely.
 - Proceed to close the drain cap.
 - Place the 5-gallon bottle of water on the water intake, allow water to stand for approximately one minute.
 - Open water faucets to insure water flows from both faucets.
 - Plug dispenser into the electrical outlet.
 - Now you are ready to use your water dispenser.

NOTE: Your water dispenser has been cleaned and sanitized before leaving the factory, but in case a taste problem develops, place two tablespoons of baking soda and add tap water. Fill water tank again and repeat basic operations previously outlined, except turn the switch marked HOT "OFF" to avoid leaving residues in hot water tank.

ATTENTION:

If you do not plan to use the water heating function for more than three days, we recommend that you turn the HOT switch to the "OFF" position.

⚡ WARNING ⚡

IMPROPER USE OF THE GROUNDED PLUG CAN RESULT IN THE RISK OF ELECTRICAL SHOCK. IF THE POWER CORD IS DAMAGED, HAVE IT REPLACED BY AN AUTHORIZED AVANTI PRODUCTS SERVICE CENTER.

OPERATING YOUR WATER DISPENSER

➤ **Steps to replace water bottles**

- Use a clean cloth to wipe off neck of bottle.
- Remove cap.
- Carefully lift bottle (approx. 40 lbs.) using your legs and not your back. Do not place hands on opening of bottle while placing in reservoir.
- Insert the water bottle on the water intake over reservoir opening so it settles properly on it.
- Wipe off any water which may have splashed on dispenser top.
- When a new bottle is installed you must open the hot water faucet and remove no less than 4 full cups of water to insure the water flows properly and the water reservoir is at the proper level.

➤ **Cold Water Control**

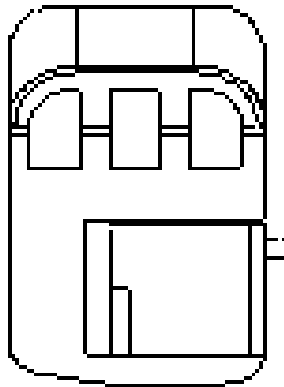
Turn the cooling switch on. The green indicator will be lit on and the process begins. When the water reaches the right temperature the green light goes off automatically.

➤ **Hot Water Control**

Turn the heating switch on, the red indicator will be lit on and the heating process starts. When the water reaches the right temperature the red light goes off automatically. When the temperature goes down to approx. 80° C (176° F), the red indicator will glow again and another heating process starts.

NOTE:

THE HOT WATER FAUCET HAS A CHILD-SAFETY GUARD ATTACHMENT.



To dispense hot water:

- ◆ Slide red safety button to the left and hold while pressing downward on hot water faucet to dispense hot water.
- ◆ Safety button will return to its original position when faucet is released.

Cup Dispenser (Optional)

A cup dispenser may be installed by using the mounting holes (covered with plastic caps) located near the top of the right side panel of the cooler. The cup dispenser comes equipped with a mounting bracket and screws and may be ordered by completing the enclosed order form provided with your instruction manual.

CARE AND MAINTENANCE

- Wash the inside of the reservoir with a warm water and baking soda solution. The solution should be about 2 tablespoons of baking soda to a quart of water.
- The drip tray and water faucets should be cleaned with mild detergent and warm water.
- At regular intervals or once a month inspect the coils located across the back of the dispenser. Vacuum accumulation of dust or clean it with a hard brush.

TAKING DISPENSER OUT OF SERVICE

- If the water dispenser will not be used for a long period of time, unplug the power cord from the wall outlet.
- Drain the water through the faucets.
- Turn the switch market hot to the “OFF” position.
- Drain the water from the tank by removing the plug from the back of the dispenser.

WARNING—THE WATER COMING OUT OF THE BACK SIDE MARKED “HOT” MAY BE SCOLDING.

- Unit should not be transported on the sides. Place it upright if possible and cover it with a blanket.

PROBLEMS WITH YOUR WATER DISPENSER

You can solve many common water dispenser problems easily, saving you the cost of a possible service call. Try the suggestions outlined below to see if you can solve the problem before calling the service.

TROUBLESHOOTING GUIDE

PROBLEM	POSSIBLE CAUSE
Water dispenser does not operate.	Not plugged in. The circuit breaker tripped or a blown fuse.
Water cooler is not cold enough.	Check to be sure the cold switch on the back is ON. The water dispenser does not have the correct clearances.
Water dispenser hot water is not hot enough.	Check to be sure the hot switch on the back is ON.
Compressor turns on and off frequently.	The room temperature is hotter than normal. The temperature control is not set correctly. The water dispenser does not have the correct clearances.
Vibrations.	Check to assure that the water dispenser is level.
The water dispenser seems to make too much noise.	The rattling noise may come from the flow of the refrigerant, which is normal. As each cycle ends, you may hear gurgling sounds caused by the flow of refrigerant in your water dispenser. Contraction and expansion of the inside walls may cause popping and crackling noises. The water dispenser is not level.
Bottle feels warm.	The water system is overfilled. Dispense Cold water until air is released into the bottle.
Water bottle is hot.	Water is boiling in the hot tank and bubbling up into the bottle. Press the hot dispenser button until water flows to remove air from the hot tank.

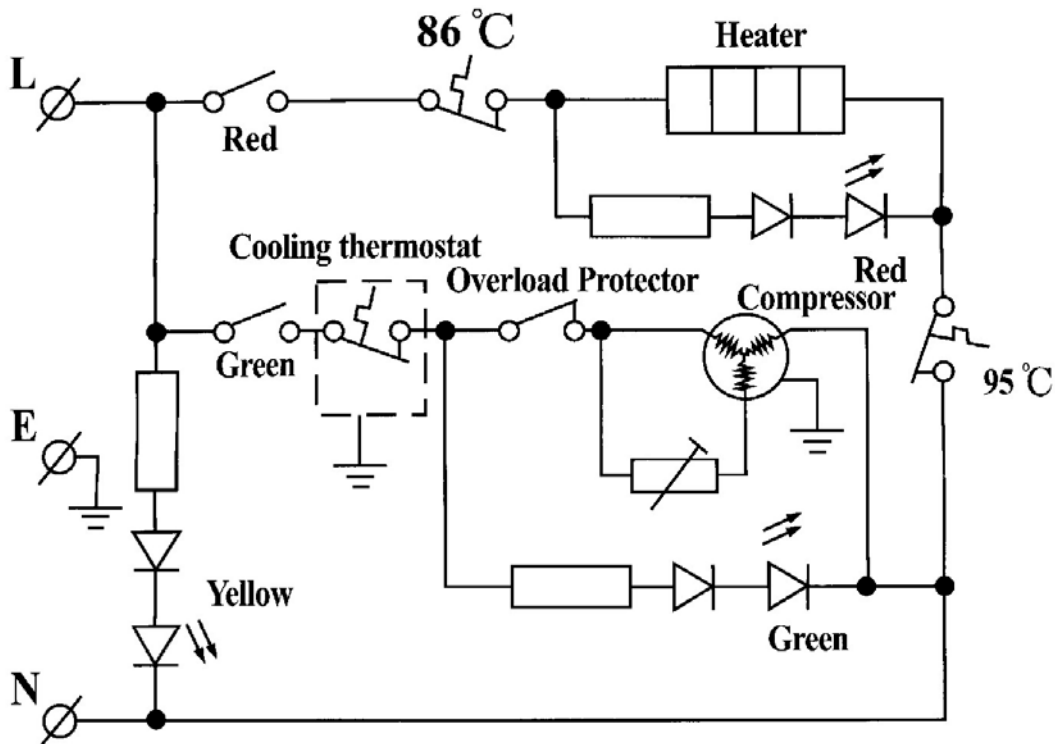
SERVICE FOR YOUR WATER DISPENSER

We are proud of our customer service organization and the network of professional service technicians that provide service on your Avanti appliances. With the purchase of your Avanti appliance, you can have the confidence that if you ever need additional information or assistance, the Avanti Products Customer Service team will be here for you. Just call us toll-free.

AVANTI PRODUCTS CUSTOMER SERVICES

Product Information 800-323-5029	Whatever your questions are about our products, help is available.
Part Orders 800-220-5570	You may order parts and accessories that will be delivered directly to your home. You may order these items by personal check, money order, Master Card, or Visa.
In-Home Repair Service 800-220-5570	An Avanti Products authorized service center will provide expert repair service, scheduled at a time that is convenient for you. Our trained servicers know your appliance inside and out.

WIRING DIAGRAM



**WHAT IS COVERED
LIMITED ONE-YEAR
WARRANTY**

For one year from the date of purchase by the original owner, Avanti Products will, at its option, repair or replace any part of the appliance which proves to be defective in material or workmanship under normal use. During this period Avanti Products will provide all parts and labor necessary to correct such defects free of charge, so long as the appliance has been installed and operated in accordance with the written instructions in this manual. Avanti Products will provide you with a reasonably similar replacement product that is either new or factory refurbished. In rental or commercial use, the warranty period is 90 days.

**LIMITED SECOND THROUGH
FIFTH YEAR WARRANTY**

For the second through the fifth year from date of original purchase, Avanti Products will provide a replacement compressor free of charge due to a failure. You are responsible for the service labor and freight charges. In rental or commercial use, the limited compressor warranty is one year and nine months. Cost to move the appliance to the servicers' shop and back to the user's home, as may be required, are the user's responsibility.

WHAT IS NOT COVERED

- Incidental or consequential damages.
- Parts and labor costs for the following will not be considered as warranty:
 - Inner door panels, door shelves, door rails, and/or door supports.
 - Light bulbs and/or plastic housing.
 - Plastic cabinet liners.
 - Punctured evaporator that voids the warranty on the complete sealed system.
 - Replacement of house fuses or resetting circuit breakers.
 - Shipping and Handling costs associated with the replacement of the unit.
- Repairs performed by unauthorized servicers.
- Surcharges including, but not limited to, any after hour, weekend, or holiday service calls, tolls, ferry trip charges, or mileage expense for service calls to remote areas, including the State of Alaska.
- Service calls that do not involve defects in material or workmanship such as customer education, door reversal, or proper installation.
- Service calls that are related to external problems, such as abuse, misuse, inadequate electrical power, accidents, fire, floods, or acts of God.
- Failure of the product if it is used for other than its intended purpose.
- This warranty does not apply outside the continental U.S.A.

INSTRUCCIONES EN ESPAÑOL

PLATAFORMA PARA AJUSTE DE ALTURA

- PARA PERMITIR QUE EL GRIFO DE SU DISPENSADOR DE AGUA SEA MAS ACCESIBLE, SU UNIDAD CUENTA CON UNA PLATAFORMA PARA AJUSTE DE ALTURA. LA PLATAFORMA REQUIERE ENSAMBLAJE TAL COMO SE ENSEÑA ABAJO.

RETIRE TODAS LAS PARTES Y LOS MATERIALES DE EMPAQUE DE LA CAJA.

- A) ALINEE LA SECCION FRONTAL Y POSTERIOR DE LA PLATAFORMA Y ENSAMBLE COMO SE MUESTRA EN LA FIGURA 1.

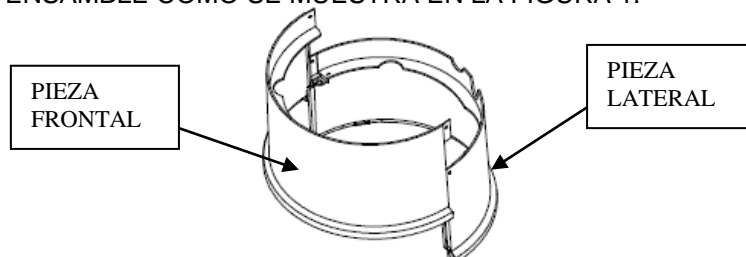


Fig. 1

- F) ALINEE LA PLATAFORMA ENSAMBLADA CON LA PARTE INFERIOR DEL ARO DE ESTABILIDAD COMO SE MUESTRA EN LA FIGURA 2A. ALINEE LAS AREAS MARCADAS "1" Y "2" EN LA PLATAFORMA CON LAS MISMAS AREAS MARCADAS "1" Y "2" DEL ARO DE ESTABILIDAD. (NOTA: ESTAS AREAS DEBEN SER ALINEADAS CORRECTAMENTE PARA EL ENSAMBLAJE DE LA UNIDAD. SI LA PLATAFORMA NO ESTA ALINEADA CORRECTAMENTE AL ARO DE ESTABILIDAD, LOS CLIPS DE RETENCION PODRÍAN SUFRIR DAÑO PERMANENTE Y CAUSAR QUE LA PLATAFORMA NO SE PUEDA USAR.

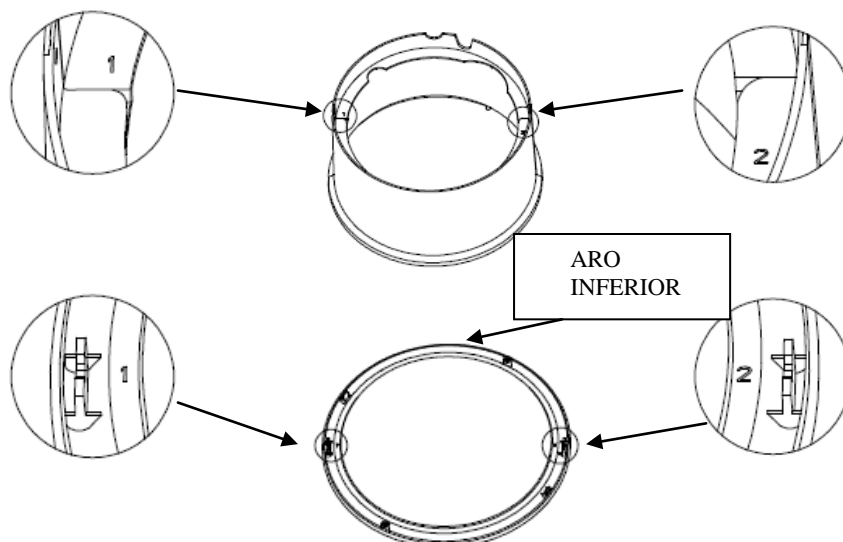


Fig 2a

- G) ASEGURESE QUE AMBOS CLIPS EN LOS LADOS DE LA PLATAFORMA Y LOS ORIFICIOS PARA LOS TORNILLOS SE ALINEEN CORRECTAMENTE ANTES DE INSERTAR LOS CLIPS EN SU LUGAR RESPECTIVO DEL ARO DE ESTABILIDAD COMO SE MUESTRA EN LA FIG 2B.

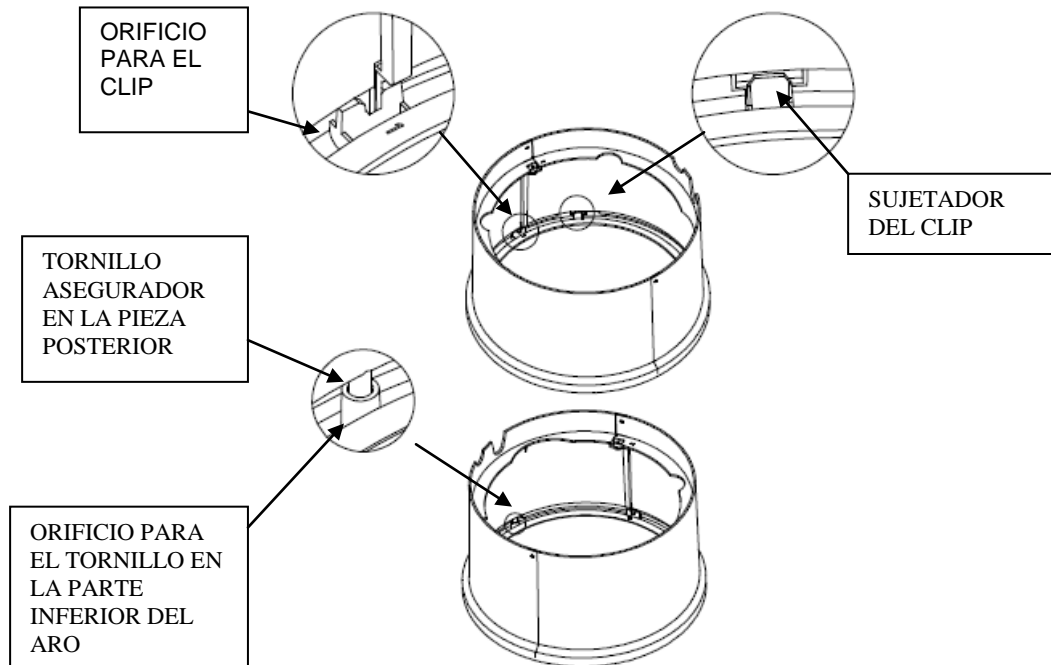
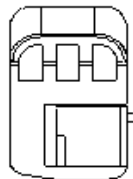


Fig 2b

- H) UNA VEZ QUE HAYA ENSAMBLADO Y ASEGURADO LA PLATAFORMA Y EL ARO DE ESTABILIDAD JUNTOS, USE LOS TORNILLOS INCLUIDOS CON LA UNIDAD Y ASEGURE FIRMEMENTE EL ARO DE ESTABILIDAD COMO SE MUESTRA EN LA FIG 2B.
- I) COLOQUE EL DISPENSADOR DE AGUA EN LA PLATAFORMA ENSAMBLADA Y ASEGURELOS FIRMEMENTE USANDO LOS TORNILLOS QUE VIENEN INCLUIDOS.

AVISO:
ESTE GRIFO DE AGUA CALIENTE TIENE UN ADAPTADOR DE SEGURIDAD PARA NIÑOS.

PARA OBTENER AGUA CALIENTE:



- ◆ MUEVA HACIA LA IZQUIERDA Y NO SUELTE EL BOTON DE SEGURIDAD.
- ◆ MANTENGA AGARRADO ESE BOTON DE SEGURIDAD MIENTRAS QUE EMPUJE EL GRIFO HACIA ABAJO PARA DISPENSAR EL AGUA CALIENTE.
- ◆ CUANDO SUELTE EL GRIFO ASEGURESE DE RETORNARLO A LA POSICION ORIGINAL.

PASOS RECOMENDADOS PARA CAMBIAR EL BOTELLON

- quite el botellon vacio.
- limpie el cuello del botellon nuevo con un trapo limpio.
- levante el botellon haciendo fuerza con las piernas y no la espalda.
- tome el botellon por los lados y dirija el cuello del mismo hacia la apertura del tanque.
- volteee el botellon como si fuera a soltar agua e inserte el cuello del botellon en la apertura del tanque hasta que se coloque en la posicion correcta.

DIRECCIONES BASICAS DE OPERACION:

- coloque el enfriador de pie por un periodo de 2 horas antes de enchufar la unidad a la pared.
- coloque el enfriador en un area bien ventilada y deje un espacio de un poco mas de 2 pulgadas entre la unidad y la pared.
- escoja un lugar con piso nivelado.
- no coloque el enfriador donde la temperatura ambiental pueda bajar de 32°F (0°C).

ANTES DE ENCHUFARLO

AUNQUE ENFRIADOR SALE LIMPIO DE LA FABRICA, DEBE LIMPIAR Y ESTERILIZAR LOS CONDUCTOS DEL TANQUE Y LOS GRIFOS DE ACUERDO A LOS SIGUIENTES PASOS:

- llene el tanque de agua (hasta el tope) con agua de la pila.
- deje nivelar el agua por 5 minutos.
- abra la llave de agua caliente hasta que salga agua y cierre inmediatamente.
- enchufe la unidad a la pared. encienda los dos interruptores situados en la parte trasera. los dos indicadores de luz se alumbraran. espere hasta que el indicador de agua caliente se apague (aprox. 10 minutos).
- entonces espere hasta que el indicador de agua fria se apague (aprox. 5 minutos).
- desconecte la unidad de la pared.
- empiece a drenar las llaves una a la vez hasta que salga el ultimo chorro de agua.
- en la parte trasera de la unidad encontrara una tapa plastica. gire hacia la izquierda la tapa hasta que salga el ultimo chorro.
- cuando no salga mas agua de la apertura, cierre la tapa plastica.
- tome el botellon de agua y siga las instrucciones para cambiar el botellon.
- enchufe la unidad. ahora su enfriador esta listo para su uso.

CONTROLES DE OPERACION

- CONTROL DE AGUA FRIA:
abra la llave de agua fria (10). el indicador de luz verde se encendera y el proceso de enfriamiento comenzara. cuando la temperatura alcance aproximadamente 5-7°C la luz verde se apagara automaticamente.
- CONTROL DE AGUA CALIENTE:
abra la llave de agua caliente (11). el indicador de luz roja se encendera y el proceso de calentamiento del agua comenzara. cuando la temperatura alcance aproximadamente 80°C la luz roja se apagara automaticamente y otro ciclo de calentamiento empezara.

MANTENIMIENTO

- A INTERVALOS REGULARES (UNA VEZ AL MES), INSPECCIONE EL CONDENSADOR O REJILLA DE ALAMBRE LOCALIZADA EN LA PARTE TRASERA DE LA UNIDAD.
- ANTES DE EFECTUAR LA LIMPIEZA, DESENCHUFE EL ENFRIADOR. USE UNA ASPIRADORA O UN CEPILLO DURO PARA QUITAR EL POLVO.
- PARA LIMPIAR LAS PARTES DE PLASTICO SE REQUIERE JABON LIQUIDO Y AGUA TIBIA. NO USE LIMPIADORES ABRASIVOS EN LA SUPERFICIE SUPERIOR NI EN LA BANDEJA DE ESCURRIMIENTO.

SI NO VA A USAR EL ENFRIADOR POR UN TIEMPO PROLONGADO

- DESENCHUFE LA UNIDAD.
- QUITE EL BOTELLON DE AGUA.
- COLOQUE LOS INTERRUPTORES MARCADOS CALIENTE Y FRIO (EN LA PARTE TRASERA) EN LA POSICION "OFF".
- DRENE EL AGUA ABRIENDO LAS LLAVES.
- DRENE LA APERTURA EN LA PARTE TRASERA QUITANDO EL TAPON.
- EL ENFRIADOR DEBE TRANSPORTARSE PARADO Y CUBIERTO CON UNA FRAZADA PARA EVITAR QUE SE RAYE.

POSIBLES PROBLEMAS

CAUSA

DERRAME DE AGUA POR FUERA DEL ENFRIADOR	LA BOTELLA ESTA PERFORADA – REEMPLACELA
EL AGUA NO ESTA SUFICIENTEMENTE FRIA.	SU TEMPERATURA DEBERIA SER DE 5° A 7° C CON UNA TEMPERATURA AMBIENTE DE 20° C. SI NO ES ASI, LLAME AL CENTRO DE SERVICIO, EL TERMOSTATO PODRIA ESTAR DEFECTUOSO.
EL AGUA NO ESTA SUFICIENTE CALIENTE	SU TEMPERATURA DEBERIA SER DE 80° A 90° C CON UNA TEMPERATURA AMBIENTE DE 20° C. SI NO ES ASI, LLAME AL CENTRO DE SERVICIO, EL TERMOSTATO PODRIA ESTAR DEFECTUOSO.
EL ENFRIADOR NO ENFRIA O CALIENTA EL AGUA	VERIFIQUE LOS CIRCUITOS, FUSIBLES O DISYUNTORES.

(Page left blank intentionally)

Registration Information

Thank you for purchasing this fine Avanti product. Please fill out this card and return it within 100 days of purchase and receive these important benefits:

- **Protect your product:**
We will keep the model number and date of purchase of your new Avanti product on file to help you refer to this information in the event of an insurance claim such as fire or theft.

- **Promote better products:**
We value your input. Your responses will help us develop products designed to best meet your future needs.

------(detach here)-----

Avanti Registration Card

Name	Model #	Serial #
Address	Date Purchased	Store/Dealer Name
City State Zip	Occupation	
Area Code Phone Number	<u>As Your Primary Residence, Do You:</u> <input type="checkbox"/> Own <input type="checkbox"/> Rent	
<u>Did You Purchase An Additional Warranty:</u> <input type="checkbox"/> Extended <input type="checkbox"/> Food Loss <input type="checkbox"/> None	<u>Your Age:</u> <input type="checkbox"/> under 18 <input type="checkbox"/> 18-25 <input type="checkbox"/> 26-30 <input type="checkbox"/> 31-35 <input type="checkbox"/> 36-50 <input type="checkbox"/> over 50	
<u>Reason For Choosing This Avanti Product:</u> Please indicate the most important factors that influenced your decision to purchase this product.	<u>Marital Status:</u> <input type="checkbox"/> Married <input type="checkbox"/> Single	
<input type="checkbox"/> Price <input type="checkbox"/> Product Features <input type="checkbox"/> Avanti Reputation <input type="checkbox"/> Product Quality <input type="checkbox"/> Salesperson Recommendation <input type="checkbox"/> Friend/Relative Recommendation <input type="checkbox"/> Warranty <input type="checkbox"/> Other _____	<u>Is This Product Used In The:</u> <input type="checkbox"/> Home <input type="checkbox"/> Business	
	<u>How Did You Learn About This Product:</u> <input type="checkbox"/> Advertising <input type="checkbox"/> Product Features <input type="checkbox"/> In Store Demo <input type="checkbox"/> Personal Demo <input type="checkbox"/> Other _____	
	Comments _____ _____ _____	

PRINTED IN CHINA

Free Manuals Download Website

<http://myh66.com>

<http://usermanuals.us>

<http://www.somanuals.com>

<http://www.4manuals.cc>

<http://www.manual-lib.com>

<http://www.404manual.com>

<http://www.luxmanual.com>

<http://aubethermostatmanual.com>

Golf course search by state

<http://golfingnear.com>

Email search by domain

<http://emailbydomain.com>

Auto manuals search

<http://auto.somanuals.com>

TV manuals search

<http://tv.somanuals.com>