



CM048-2

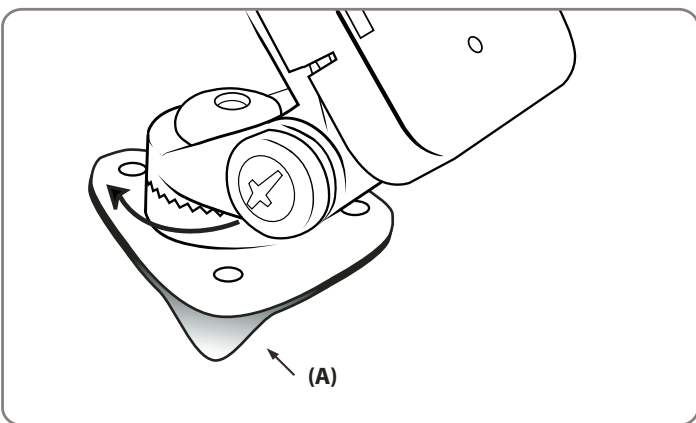
CC001-BB

Package Contents:

- (1) CM048-2 1" Multi Angle Dashboard or Console Mount
- (1) CC001-BB Custom Holder for Blackberry Curve, Tour and Bold 9700 series

Compatible with:


- BlackBerry Curve, Tour & Bold 9700 Series Smartphones



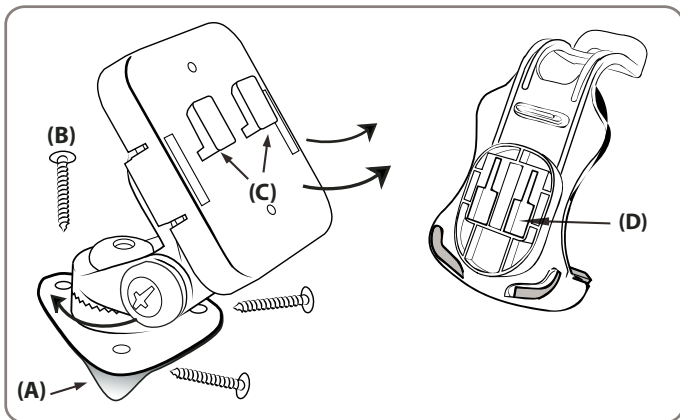
Dashboard or Console Adhesive Mounting

- Step 1. Find a safe location on the dashboard or console to mount the pedestal. Make sure the area is clean and dry. Use the included alcohol pad to clean the mounting surface.
- Step 2. Remove the adhesive backing (A) under the triangular pedestal and firmly press into place.
- Step 3. After adhesive has bonded at room temperature (approx. 72°F) allow 24hrs prior to use for best results.
- Step 4. Adjust the angle of the pedestal head by firmly holding the base and rotating to the desired angle.

Safety Precautions

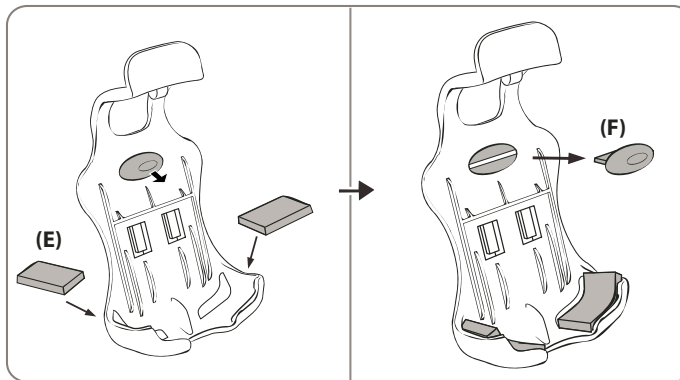
 Do not install Arkon products over an air bag cover or within the air bag deployment zone. Arkon Resources, Inc. assumes no responsibility of liability for injury or death as a result of car crashes and/or air bag deployment.

Arkon Resources, Inc. is not responsible for any damages caused to your car, your device, or yourself due to the installation or use of the pedestal mount.



Dashboard or Console Screw (optional)

- Step 1. Find a safe location on the dashboard or console to mount the pedestal. Make sure the area is clean and dry. Use the included alcohol pad to clean the mounting surface if necessary. Remove the adhesive backing (A) under the triangular pedestal and firmly press into place.
- Step 2. Using a screwdriver, tighten the 3 screws (B) through the pedestal base into the mounting surface.
- Step 3. Adjust the angle of the pedestal head by firmly holding the base and rotating to the desired angle.
- Step 4. Attach the device holder to the pedestal by inserting the dual T-tabs of the pedestal (C) into the T-slots of the holder (D).



Blackberry Holder Instructions

- Step 1. If you are using a Blackberry 8700 series device, insert adhesive pads (E) at the pedestal base as shown so the device can fit securely.
- Step 2. Remove spacer insert (F) to make more room for some devices that may use an extended battery pack.

ARKON
RESOURCES INC.

The Mobile Mounting Specialists™

Consumer Hotline:
(USA) (800) 841-0884
(INT'L) (626) 254-9005
Mon-Fri. 9am-5pm, PST

www.arkon.com
Arcadia, CA 91006 USA
Designed in USA | Made in Taiwan
© Copyright 2010 Arkon Resources, Inc.

Free Manuals Download Website

<http://myh66.com>

<http://usermanuals.us>

<http://www.somanuals.com>

<http://www.4manuals.cc>

<http://www.manual-lib.com>

<http://www.404manual.com>

<http://www.luxmanual.com>

<http://aubethermostatmanual.com>

Golf course search by state

<http://golfingnear.com>

Email search by domain

<http://emailbydomain.com>

Auto manuals search

<http://auto.somanuals.com>

TV manuals search

<http://tv.somanuals.com>