

# SM032 | Bicycle / Motorcycle Handlebar Mount & Water-Resistant Mobile Phone Holder



Fits handlebars up to 33mm diameter. Compatible with most straight, drop, trekking, touring, and standard (25.4mm and 26mm) size handlebars. Also for use with golf carts, ATVs, snowmobiles, hang gliders or other apparatus having cylinder-shaped frames or posts.

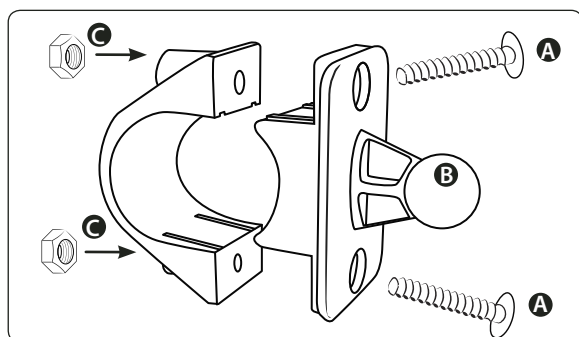
## Package Contents:

- (1) GN032-SBH - Bicycle or motorcycle handlebar mount with swivel tightening ring
- (1) SM-WPCS-WS - Water-resistant mobile phone holder with set screw.

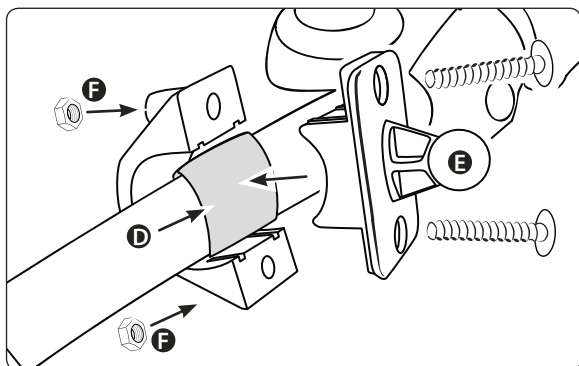
**⚠️ Caution:** A set screw has been provided to be installed into the back side of the water resistant holder to secure it to the handlebar pedestal. Ensure that the screw is properly installed to prevent the holder from falling from the pedestal.

## Bicycle Handlebar Mounting

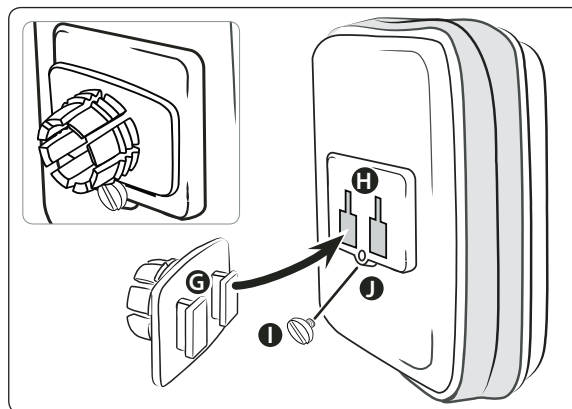
- Step 1.** Choose a safe location on the handlebars of your bicycle in which to mount the pedestal.
- Step 2.** Using a screwdriver, remove the two mounting screws (A) in order to release the ball plate and swivel head (B) so the mount can be placed around the handlebars. Ensure the screw nuts (C) are not lost when loosening the screws.



- Step 3.** Wrap the rubber rings (D) around the handlebar and reassemble the ball plate and swivel head (E) around the rubber rings. Secure the mount assembly by using the screwdriver to retighten the two mounting screws into the screw nuts (F) through the screw holes.

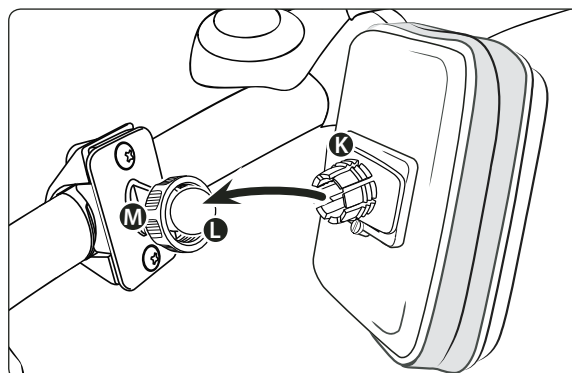


- Step 4.** Connect the dual T-tabs (G) on dual T-tab adapter head to the dual T-slots (H) on the water-resistant mobile phone holder. Insert the set screw (I) into the set screw hole (J) and screw in tightly to prevent the pedestal head from slipping off.



## Connect Water-resistant Mobile Phone Holder to Pedestal

- Step 5.** Snap the dual-T head adapter plate (K) onto the handlebar mount ball (L). Adjust the angle as needed and screw the threaded tightening (M) ring onto the adapter plate until the plate is securely held in place.



## ⚠️ Safety Precautions

Do not reposition the pedestal while cycling or driving. Arkon Resources, Inc. does not promote the adjustment of mobile devices except when the bicycle or vehicle is safely parked or stopped.

Arkon is not responsible for any damages caused to your bicycle, your device, or yourself due to the installation or use of this product.

**ARKON®**  
**RESOURCES INC.** The Mobile Mounting Specialists™

Consumer Hotline:

USA (800) 841-0884

INT'L (626) 254-9005

Monday - Friday 9 am - 5 pm, PST

[www.arkon.com](http://www.arkon.com)

Arcadia, CA 91006 USA

Designed in USA | Made in China

© Copyright 2010 Arkon Resources, Inc.

## Free Manuals Download Website

<http://myh66.com>

<http://usermanuals.us>

<http://www.somanuals.com>

<http://www.4manuals.cc>

<http://www.manual-lib.com>

<http://www.404manual.com>

<http://www.luxmanual.com>

<http://aubethermostatmanual.com>

Golf course search by state

<http://golfingnear.com>

Email search by domain

<http://emailbydomain.com>

Auto manuals search

<http://auto.somanuals.com>

TV manuals search

<http://tv.somanuals.com>