



# **Avaya 1100 Series Expansion Module for SIP Software User Guide**

**Communications Server**

Document Status: **Standard**

Document Version: **02.01**

Part Code: **NN43110-301**

Date: **August 2010**



---

© 2010 Avaya Inc. All Rights Reserved.

## Notices

While reasonable efforts have been made to ensure that the information in this document is complete and accurate at the time of printing, Avaya assumes no liability for any errors. Avaya reserves the right to make changes and corrections to the information in this document without the obligation to notify any person or organization of such changes.

## Documentation disclaimer

Avaya shall not be responsible for any modifications, additions, or deletions to the original published version of this documentation unless such modifications, additions, or deletions were performed by Avaya. End User agree to indemnify and hold harmless Avaya, Avaya's agents, servants and employees against all claims, lawsuits, demands and judgments arising out of, or in connection with, subsequent modifications, additions or deletions to this documentation, to the extent made by End User.

## Link disclaimer

Avaya is not responsible for the contents or reliability of any linked Web sites referenced within this site or documentation(s) provided by Avaya. Avaya is not responsible for the accuracy of any information, statement or content provided on these sites and does not necessarily endorse the products, services, or information described or offered within them. Avaya does not guarantee that these links will work all the time and has no control over the availability of the linked pages.

## Warranty

Avaya provides a limited warranty on this product. Refer to your sales agreement to establish the terms of the limited warranty. In addition, Avaya's standard warranty language, as well as information regarding support for this product, while under warranty, is available to Avaya customers and other parties through the Avaya Support Web site: <http://www.avaya.com/support>

**Please note that if you acquired the product from an authorized reseller, the warranty is provided to you by said reseller and not by Avaya.**

## Licenses

THE SOFTWARE LICENSE TERMS AVAILABLE ON THE AVAYA WEBSITE, <HTTP://SUPPORT.AVAYA.COM/LICENSEINFO/> ARE APPLICABLE TO ANYONE WHO DOWNLOADS, USES AND/OR INSTALLS AVAYA SOFTWARE, PURCHASED FROM AVAYA INC., ANY AVAYA AFFILIATE, OR AN AUTHORIZED AVAYA RESELLER (AS APPLICABLE) UNDER A COMMERCIAL AGREEMENT WITH AVAYA OR AN AUTHORIZED AVAYA RESELLER. UNLESS OTHERWISE AGREED TO BY AVAYA IN WRITING, AVAYA DOES NOT EXTEND THIS LICENSE IF THE SOFTWARE WAS OBTAINED FROM ANYONE OTHER THAN AVAYA, AN AVAYA AFFILIATE OR AN AVAYA AUTHORIZED RESELLER, AND AVAYA RESERVES THE RIGHT TO TAKE LEGAL ACTION AGAINST YOU AND ANYONE ELSE USING OR SELLING THE SOFTWARE WITHOUT A LICENSE. BY INSTALLING, DOWNLOADING OR USING THE SOFTWARE, OR AUTHORIZING OTHERS TO DO SO, YOU, ON BEHALF OF YOURSELF AND THE ENTITY FOR WHOM YOU ARE INSTALLING, DOWNLOADING OR USING THE SOFTWARE (HEREINAFTER REFERRED TO INTERCHANGEABLY AS "YOU" AND "END USER"), AGREE TO THESE TERMS AND CONDITIONS AND CREATE A BINDING CONTRACT BETWEEN YOU AND AVAYA INC. OR THE APPLICABLE AVAYA AFFILIATE ("AVAYA").

## Copyright

Except where expressly stated otherwise, no use should be made of the Documentation(s) and Product(s) provided by Avaya. All content in this documentation(s) and the product(s) provided by Avaya including the selection, arrangement and design of the content is owned either by Avaya or its licensors and is protected by copyright and other intellectual property laws including the sui generis rights relating to the protection of databases. You may not modify, copy, reproduce, republish, upload, post, transmit or distribute in any way any content, in whole or in part, including any code and software. Unauthorized reproduction, transmission, dissemination, storage, and or use without the express written consent of Avaya can be a criminal, as well as a civil offense under the applicable law.

## Third Party Components

Certain software programs or portions thereof included in the Product may contain software distributed under third party agreements ("Third Party Components"), which may contain terms that expand or limit rights to use certain portions of the Product ("Third Party Terms"). Information regarding distributed Linux OS source code (for those Products that have distributed the Linux OS source code), and identifying the copyright holders of the Third Party Components and the Third Party Terms that apply to them is available on the Avaya Support Web site: <http://support.avaya.com/Copyright>.

## Trademarks

*The trademarks, logos and service marks ("Marks") displayed in this site, the documentation(s) and product(s) provided by Avaya are the registered or unregistered Marks of Avaya, its affiliates, or other third parties. Users are not permitted to use such Marks without prior written consent from Avaya or such third party which may own the Mark. Nothing contained in this site, the documentation(s) and product(s) should be construed as granting, by implication, estoppel, or otherwise, any license or right in and to the Marks without the express written permission of Avaya or the applicable third party. Avaya is a registered trademark of Avaya Inc. All non-Avaya trademarks are the property of their respective owners.*

## Downloading documents

For the most current versions of documentation, see the Avaya Support. Web site: <http://www.avaya.com/support>

## Contact Avaya Support

Avaya provides a telephone number for you to use to report problems or to ask questions about your product. The support telephone number is 1-800-242-2121 in the United States. For additional support telephone numbers, see the Avaya Web site: <http://www.avaya.com/support>

# Contents

<b>Regulatory and safety information</b> .....	<b>5</b>
Other .....	6
DenAn regulatory notice for Japan .....	7
<b>Introduction</b> .....	<b>9</b>
Description .....	9
Features .....	10
Call Server Support .....	11
Avaya 1100 Series Expansion Module display .....	11
Adjusting the Avaya 1100 Series Expansion Module display screen contrast .....	12
Backlight .....	12
Icons .....	13
<b>Setup and assembly</b> .....	<b>14</b>
Installing the Avaya 1100 Series Expansion Module .....	14
Avaya 1100 Series Expansion Module startup initialization ..	17
Using the wall-mount option .....	18
Adjusting the tilt base .....	18
<b>Avaya 1100 Series Expansion Module programming</b> . . . .	<b>20</b>



# Regulatory and safety information

This equipment has been tested and found to comply with the limits for a Class B digital device, pursuant to part 15 of the FCC Rules. These limits are designed to provide reasonable protection against harmful interference in a residential installation. This equipment generates, uses and can radiate radio frequency energy and, if not installed and used in accordance with the instructions, may cause harmful interference to radio communications. However, there is no guarantee that interference will not occur in a particular installation. If this equipment does cause harmful interference to radio or television reception, which can be determined by turning the equipment off and on, the user is encouraged to try to correct the interference by one or more of the following measures:

- Reorient or relocate the receiving antenna.
- Increase the separation between the equipment and receiver.
- Connect the equipment into an outlet on a circuit different from that to which the receiver is connected.
- Consult the dealer or an experienced radio/ TV technician for help.

**Attention:** The user should not make changes or modifications not expressly approved by Avaya. Any such changes could void the user's authority to operate the equipment.

This Class B digital apparatus complies with Canadian ICES-003. Cet appareil numérique de la classe B est conforme à la norme NMB-003 du Canada.

## Warnings:

- This is a Class B product. In a domestic environment this product can cause radio interference in which case the user must take adequate measures.
- Operation is subject to the following two conditions: (1) this device may not cause interference, and (2) this device must accept any interference, including interference that may cause undesired operation of the device.

この装置は、情報処理装置等電波障害自主規制協議会（VCCI）の基準に基づくクラスB 情報技術装置です。この装置は、家庭環境で使用することを目的としていますが、この

装置がラジオやテレビジョン受信機に近接して使用されると、受信障害を引き起こすことがあります。

取扱説明書に従って正しい取り扱いをして下さい。

Table 1 lists EMC compliance for various jurisdictions.

**Table 1: EMC compliance**

Jurisdiction	Standard	Description
United States	FCC CFR 47 Part 15	Class B Emissions: FCC Rules for Radio Frequency Devices
Canada	ICES-003	Class B Emissions: Interference-Causing Equipment Standard: Digital Apparatus
Australia/New Zealand	AS/NZ CISPR22 CISPR 22	Class B Emissions: Information technology equipment - Radio disturbance
European Community	EN 55022	Class B Emissions: Information technology equipment - Radio disturbance
	EN 55024	Information technology equipment - Immunity characteristics Limits and methods of measurement
	EN 61000-3-2	Limits for harmonic current emissions (equipment input current $\leq 16$ A per phase)
	EN 61000-3-3	Limitation of voltage fluctuations and flicker in low-voltage supply systems for equipment with rated current $\leq 16$ A
Japan	VCCI	Regulations for voluntary control measures.

## Other

This equipment complies with the CE Marking requirements. 

**EU Countries:** This device complies with the essential requirements and other relevant provisions of EMC and LVD directives. A copy of the Declaration may be obtained from <http://support.avaya.com/css/appmanager/public/support>.

## DenAn regulatory notice for Japan

### Warning

Please be careful of the following while installing the equipment:

- Please only use the Connecting cables, power cord, AC adaptors shipped with the equipment or specified by Nortel to be used with the equipment. If you use any other equipment, it may cause “failures, malfunctioning or fire”.
- Power cords shipped with this equipment must not be used with any other equipment. In case the above guidelines are not followed, it may lead to death or severe injury

### 警告

本製品を安全にご使用頂くため、以下のことにご注意ください。

- 接続ケーブル、電源コード、ACアダプタなどの部品は、必ず製品に同梱されております。添付品または指定品をご使用ください。添付品・指定品以外の部品をご使用になると故障や動作不良、火災の原因となることがあります。
- 同梱されております付属の電源コードを他の機器には使用しないでください。  
上記注意事項を守らないと、死亡や大怪我など人身事故の原因となることがあります。





# Introduction

This document describes the Avaya 1100 Series Expansion Module with SIP Software and how to use it with the IP Deskphone.

## Description

---

The Avaya 1100 Series Expansion Module (SIP Firmware) is supported on the following IP Deskphones:

- Avaya 1120E IP Deskphone
- Avaya 1140E IP Deskphone
- Avaya 1165E IP Deskphone

The Expansion Module is a hardware accessory that connects to the IP Deskphone and provides additional line appearances and feature keys.

Up to three modules are supported. The Avaya 1120E IP Deskphone, Avaya 1140E IP Deskphone and Avaya 1165E IP Deskphone can have up to 54 additional line/feature keys with three Expansion Modules.

**Note:** The power adapter of the IP Deskphone can only supply enough current for 3 Expansion Modules. For the purposes of this release, only 3 Expansion Modules are supported by the IP Deskphone.

[Figure 1 on page 10](#) shows the Avaya 1100 Series Expansion Module.

**Figure 1: Avaya 1100 Series Expansion Module**



## Features

The Avaya 1100 Series Expansion Module has the following features:

- The IP Deskphones can have up to 54 additional feature keys when three Expansion Modules are added.
- A desk-mounted bracket and structural baseplate support the connection of an Expansion Module to an IP Deskphone or to another Expansion Module.
- IP Deskphone and Expansion Module combination can be wall-mounted using the wall mount template provided.
- Power supplied directly by the IP Deskphone.
- Backlight and adjustable contrast

**Note:** If the IP Deskphone is powered using PoE (Power over Ethernet) the backlight of the Expansion Modules is disabled.

- The Expansion Module displays similar graphics for the key label and icons as are displayed on the main IP Deskphone.
- Programmed keys are stored in the user profile. You can maintain your list of programmed feature keys. You can program the feature keys as:
  - 1. Speed Dial
  - 2. Presence
  - 3. Send IM
  - 4. Call Forward
  - 5. Do Not Disturb
- You can automatically populate the unused Expansion Module feature keys using the friends list or the address book as sources.

**Note:** The use of the USB device to navigate on the Expansion Module display area is not supported. The cursor (guided by a USB device) will not move out of the main display to the Expansion Module.

## Call Server Support

---

There is no specific dependency on the Call Server for the Avaya 1100 Series Expansion Module to be functional. However, the Friends list and the Presence notification are Call Server dependant and may require changes to the user package of your IP Deskphone. Contact the system administrator or service provider for further information.

## Avaya 1100 Series Expansion Module display

---

The Avaya 1100 Series Expansion Module is equipped with a graphical, pixel-based, grayscale LCD display area beside the 18 line/feature keys (see [Figure 1 on page 10](#)). Each of the 18 physical keys on the Expansion

Module has a 10-character display label. This label is set automatically, however, you can edit the label using the controls on the IP Deskphone.

### Adjusting the Avaya 1100 Series Expansion Module display screen contrast

To adjust the Avaya 1100 Series Expansion Module screen contrast, press the **Prefs** context-sensitive soft key, select **Display**, and select **Contrast**.

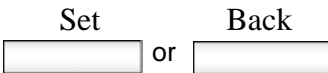
**Note:** Contrast adjustment on the Expansion Module is controlled by the same control the IP Deskphone uses for the main display.

#### To adjust the Expansion Module display screen contrast:



1. Press the **Left/Right** navigation key to increase or decrease the display contrast level.

2. Choose one of the following:



- Press the **Set** context-sensitive soft key to save the changes and return to the Display menu.
- Press the **Back** context-sensitive soft key to keep existing configurations and return to the Display menu.

### Backlight

The Avaya 1100 Series Expansion Module has a firmware controllable backlight. The Expansion Module draws power from the IP Deskphone and requires no external power adapter. Because of the higher power consumption of the backlight, if the IP Deskphone is connected using PoE, backlight is not supported; otherwise, the Expansion Module can still operate normally.

The type of power supply to the IP Deskphone controls what is functional on the Expansion Module. The Expansion Module backlight can only light when the local 48V power supply is present. On the other hand, either local 48V power supply or Power over Ethernet (PoE) to the IP Deskphone will power all of the Expansion Module's other functionality. To have the backlight on for the Expansion Module, the IP Deskphone should be powered by AC global power supply only.

## Icons

The Avaya 1100 Series Expansion Module supports the same icons and cadences that appear on the IP Deskphone line keys.

Icons on the display can flash at pre-defined intervals to indicate different status. The flashing interval is defined by the IP Deskphone with the flashing effect performed by the Expansion Module.

# Setup and assembly

The Avaya 1100 Series Expansion Module mounts on the right side of the IP Deskphone. The Expansion Module snaps into the Accessory Expansion Module (AEM) on the back of the IP Deskphone using the desk-mount bracket and structural baseplate supplied with the Expansion Module.

## Installing the Avaya 1100 Series Expansion Module

---

Use the following instructions to install the Avaya 1100 Series Expansion Module.



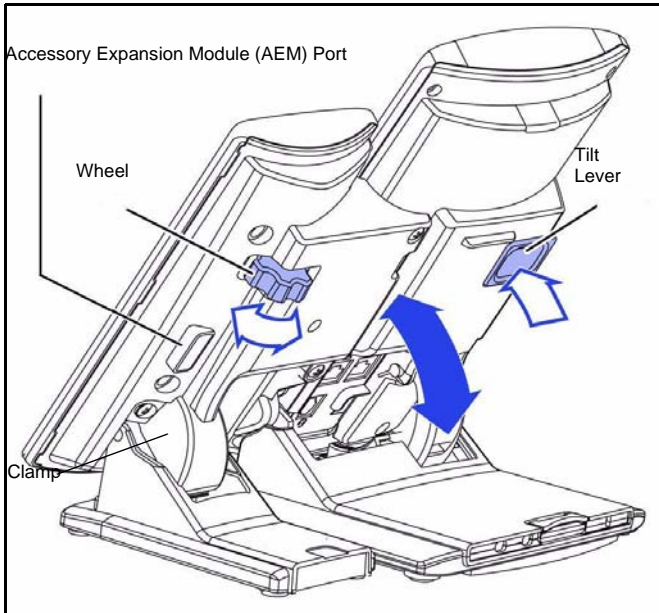
**CAUTION**

**Damage to Equipment**

To avoid damaging the equipment, remove the power (PoE cable, or local power) from the IP Deskphone before connecting the Expansion Module.

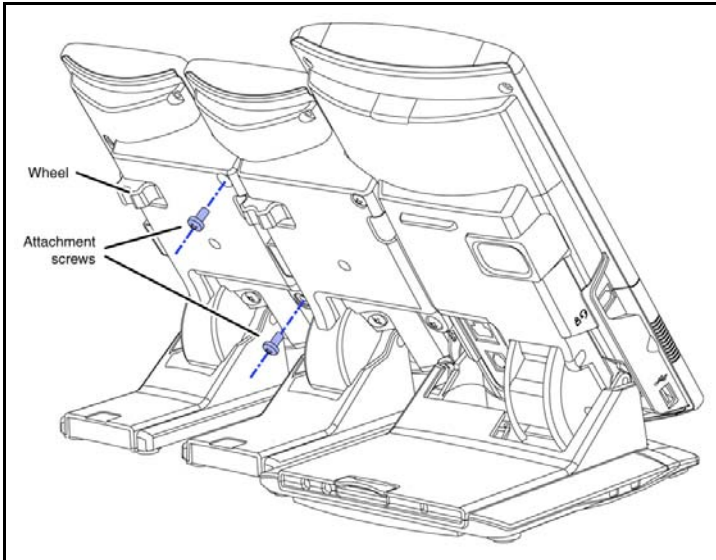
1. Press the tilt lever to adjust the stand angle on the IP Deskphone.  
You can adjust the stand angle to maximum, instead of removing the stand. See [Figure 2](#).

**Figure 2: Adjusting the stand angle on the IP Deskphone**



2. At the back of the IP Deskphone, remove the rubber plug from the AEM port. Place the connecting arm of the Expansion Module behind the IP Deskphone and align the Expansion Module connection plug to the AEM port on the back of the IP Deskphone.
3. Insert the screws in to the top and bottom holes of the connecting arm of the Expansion Module and tighten until snug. See [Figure 3 on page 16](#).

## Figure 3: Connecting the Expansion Module



4. If connecting a second, or a third Expansion Module, repeat steps 2 to 4.

**Note:** The second Expansion Module is attached to the right side of the first Expansion Module. The third Expansion Module is attached to the right side of the second Expansion Module.

5. Adjust the height of the IP Deskphone tilt adjustment to a comfortable viewing angle. Then adjust each of the Expansion Module footstands so they are flush to the desk surface. Turn the wheel on the back right side of the Expansion Module to the right (if viewed from the front) to tighten the Expansion Module.



### WARNING

Do not over tighten the wheel on the Expansion Module.

6. Connect power to the IP Deskphone. The Expansion Module powers up.

**Note:** The Expansion Module uses the electrical connection of the IP Deskphone for power. It does not have its own power source.



## Avaya 1100 Series Expansion Module startup initialization

After the Avaya 1100 Series Expansion Module is installed and powered up on the IP Deskphone, the Expansion Module initializes.

Table 2 on page 17 lists the initialization process for the Expansion Module.

**Table 2: Initializing Expansion Module (Part 1 of 2)**

Phase	Description
Expansion Module performs self-test	<p>The self-test confirms the operation of the Expansion Module local memory, CPU, and other circuitry. While undergoing this self-test, the Expansion Module display lights up.</p> <p><b>Note:</b> If the Expansion Module display does not light up, or lights up and then goes blank, or fails to begin flashing, check that the Expansion Module is correctly installed and configured.</p>
Expansion Module establishes communication with the IP Deskphone	<p>The Expansion Module display flashes until it establishes communication with the IP Deskphone.</p> <p>If the Expansion Module display does not stop flashing, communication has not been established with the IP Deskphone. Check that the Expansion Module is correctly installed and configured.</p>

**Table 2: Initializing Expansion Module (Part 2 of 2)**

Phase	Description
Software upgrade	<p>The Expansion Module software is distributed together with the IP Deskphone software as a part of the application.</p> <p>When the IP Deskphone detects a new Expansion Module, the software version of the Expansion Module is compared to the version of the Expansion Module software stored on the IP Deskphone. If the software of the Expansion Module is different, the IP Deskphone version of the software is uploaded to the Expansion Module.</p> <p>After the updating of the Expansion Module completes (if needed), the software now present on the Expansion Module runs the Expansion Module.</p>

## Using the wall-mount option

IP Deskphone and the Avaya 1100 Series Expansion Module combination can be wall-mounted using the wall mount template provided.

## Adjusting the tilt base

The Avaya 1100 Series Expansion Module stand provides a continuous tilt adjustment so the tilt angle matches the IP Deskphone stand angle while accommodating variations in the desk surface. A clamp mechanism is used to unlock and lock the foot stand angle from wall mount to desktop configuration.



### CAUTION

Do not over tighten the wheel on the Expansion Module.

The Expansion Module is tightened by turning the wheel clockwise and loosened by turning the wheel counter-clockwise.

Turn the wheel clockwise on the back right side (if viewed from the front) of the Expansion Module to loosen the stand hinge. Adjust the angle of the IP Deskphone using the tilt lever. When the IP Deskphone is set to a preferred angle, turn the wheel counter-clockwise on the back of the Expansion Module to tighten the stand hinge and lock the stand at the same angle as the attached IP Deskphone.

# Avaya 1100 Series Expansion Module programming

When an Avaya 1100 Series Expansion Module is installed on an IP Deskphone, the controls and settings of the IP Deskphone control the IP Deskphone and the Expansion Module.

For more information about controls, settings, and programming of your Expansion Module through your IP Deskphone, see your IP Deskphone User Guide:

- *Avaya 1120E IP Deskphone with SIP Software User Guide* (NN43112-110)
- *Avaya 1140E IP Deskphone with SIP Software User Guide* (NN43113-110)
- *Avaya 1165E IP Deskphone with SIP Software User Guide* (NN43170-100)

## Free Manuals Download Website

<http://myh66.com>

<http://usermanuals.us>

<http://www.somanuals.com>

<http://www.4manuals.cc>

<http://www.manual-lib.com>

<http://www.404manual.com>

<http://www.luxmanual.com>

<http://aubethermostatmanual.com>

Golf course search by state

<http://golfingnear.com>

Email search by domain

<http://emailbydomain.com>

Auto manuals search

<http://auto.somanuals.com>

TV manuals search

<http://tv.somanuals.com>