



16xx/96xx Amplified Speech Handset Installation and Use

16-602703

Issue 1

July 2008

© 2008 Avaya Inc.
All Rights Reserved.

Notice

While reasonable efforts were made to ensure that the information in this document was complete and accurate at the time of printing, Avaya Inc. can assume no liability for any errors. Changes and corrections to the information in this document may be incorporated in future releases.

For full legal page information, please see the complete document, Avaya Legal Page for Hardware Documentation, Document number 03-600759.

To locate this document on our Web site, simply go to <http://support.avaya.com> and search for the document number in the search box.

Documentation disclaimer

Avaya Inc. is not responsible for any modifications, additions, or deletions to the original published version of this documentation unless such modifications, additions, or deletions were performed by Avaya. Customer and/or End User agree to indemnify and hold harmless Avaya, Avaya's agents, servants and employees against all claims, lawsuits, demands and judgments arising out of, or in connection with, subsequent modifications, additions or deletions to this documentation to the extent made by the Customer or End User.

Link disclaimer

Avaya Inc. is not responsible for the contents or reliability of any linked Web sites referenced elsewhere within this documentation, and Avaya does not necessarily endorse the products, services, or information described or offered within them. We cannot guarantee that these links will work all of the time and we have no control over the availability of the linked pages.

Warranty

Avaya Inc. provides a limited warranty on this product. Refer to your sales agreement to establish the terms of the limited warranty. In addition, Avaya's standard warranty language, as well as information regarding support for this product, while under warranty, is available through the following Web site:

<http://support.avaya.com>

Copyright

Except where expressly stated otherwise, the Product is protected by copyright and other laws respecting proprietary rights. Unauthorized reproduction, transfer, and or use can be a criminal, as well as a civil, offense under the applicable law.

Avaya support

Avaya provides a telephone number for you to use to report problems or to ask questions about your product. The support telephone number is 1-800-242-2121 in the United States. For additional support telephone numbers, see the Avaya Web site:

<http://www.avaya.com/support>

Software License

USE OR INSTALLATION OF THE PRODUCT INDICATES THE END USER'S ACCEPTANCE OF THE TERMS SET FORTH HEREIN AND THE GENERAL LICENSE TERMS AVAILABLE ON THE AVAYA WEBSITE AT <http://support.avaya.com/LicenseInfo/> ("GENERAL LICENSE TERMS"). IF YOU DO NOT WISH TO BE BOUND BY THESE TERMS, YOU MUST RETURN THE PRODUCT(S) TO THE POINT OF PURCHASE WITHIN TEN (10) DAYS OF DELIVERY FOR A REFUND OR CREDIT.

Avaya grants End User a license within the scope of the license types described below. The applicable number of licenses and units of capacity for which the license is granted will be one (1), unless a different number of licenses or units of capacity is specified in the Documentation or other materials available to End User. "Designated Processor" means a single stand-alone computing device. "Server" means a Designated Processor that hosts a software application to be accessed by multiple users. "Software" means the computer programs in object code, originally licensed by Avaya and ultimately utilized by End User, whether as stand-alone Products or pre-installed on Hardware. "Hardware" means the standard hardware Products, originally sold by Avaya and ultimately utilized by End User.

License Type(s):

Designated System(s) License (DS). End User may install and use each copy of the Software on only one Designated Processor, unless a different number of Designated Processors is indicated in the Documentation or other materials available to End User. Avaya may require the Designated Processor(s) to be identified by type, serial number, feature key, location or other specific designation, or to be provided by End User to Avaya through electronic means established by Avaya specifically for this purpose.

Third-party Components

Certain software programs or portions thereof included in the Product may contain software distributed under third party agreements ("Third Party Components"), which may contain terms that expand or limit rights to use certain portions of the Product ("Third Party Terms"). Information identifying Third Party Components and the Third Party Terms that apply to them is available on Avaya's Web site at:

<http://support.avaya.com/ThirdPartyLicense/>

Interference

Using a cell, mobile, or GSM telephone, or a two-way radio in close proximity to an Avaya IP Telephone might cause interference.

Security

See <http://support.avaya.com/security> to locate and/or report known vulnerabilities in Avaya products. See <http://support.avaya.com> to locate the latest software patches and upgrades. For information about secure configuration of equipment and mitigation of toll fraud threats, see the Avaya Toll Fraud and Security Handbook at <http://support.avaya.com>.

Table of Contents

Introducing the 16xx / 96xx Amplified Speech Handset	2
Installing and Replacing Batteries	3
Setting the Mode.....	3
Using the Handset	4
Battery Conservation State.....	5
Low Battery Indicator	6
No Battery / Dead Battery Operation	6

Introducing the 16xx / 96xx Amplified Speech Handset

Avaya offers one Amplified Speech handset for the 16xx IP telephones, and one for the 96xx IP telephones. Both handsets operate in two modes.

- **Mode 1: Push-to-Amplify Receive Volume**
In this mode, while the 'Push to Amplify' button is pressed, the receive volume is at the level that has been set by the volume selection button. While the 'Push to Amplify' button is not pressed, the receive volume is at the minimum handset volume level.

In this mode, the handset satisfies both of the telephone amplification requirements in the US Government's Section 508 procurement regulations. (Specifically, the Code of Federal Regulations, 36 CFR Part 1194.23(f) says, "For transmitted voice signals, telecommunications products shall provide a gain adjustable up to a minimum of 20 dB. For incremental volume control, at least one intermediate step of 12 dB of gain shall be provided." 36 CFR Part 1194.23(g) says, "If the telecommunications product allows a user to adjust the receive volume, a function shall be provided to automatically reset the volume to the default level after every use.")

- **Mode 2: Always Amplify Receive Volume (DEFAULT MODE).**
In this mode, the receive volume is always at the level that has been set by the volume selection button. Pressing the 'Push to Amplify' button has no effect.

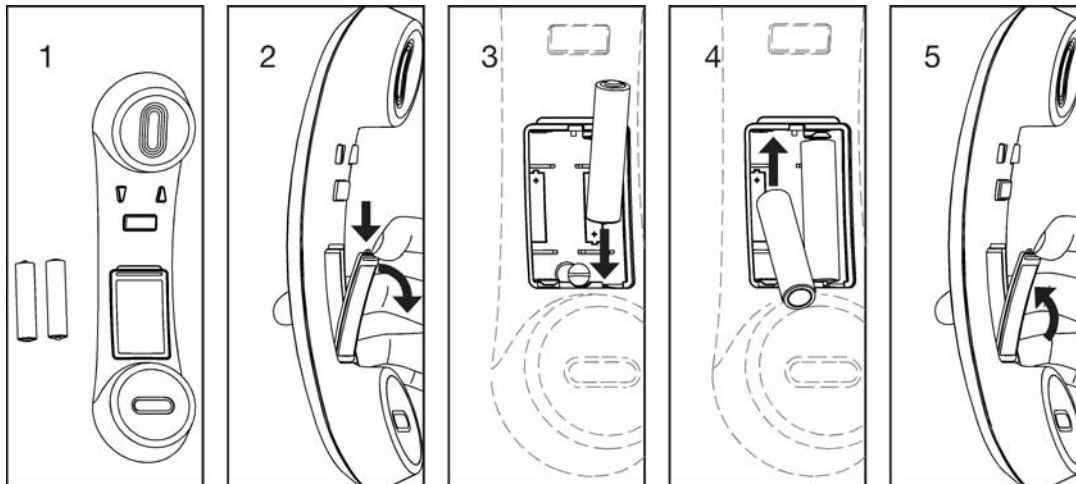
The table below indicates the model numbers, description, order codes, and Avaya IP telephone models that work with each handset. You can find the handset model number printed on a label in the battery compartment.

Handset Model	Description	Order Code	Works With Phones
S1K5	96xx Amplified Speech	700446370	96xx
S1K6	16xx Amplified Speech	700446388	16xx

NOTE: This document as well as all Avaya product documentation, is available on the Avaya support website: <http://support.avaya.com>. Always check this Web site for the latest information.

Installing and Replacing Batteries

The Avaya 16xx/96xx Amplified Speech Handset ships with 2 AAA-size alkaline batteries. When installing and/or replacing batteries follow the instructions below.

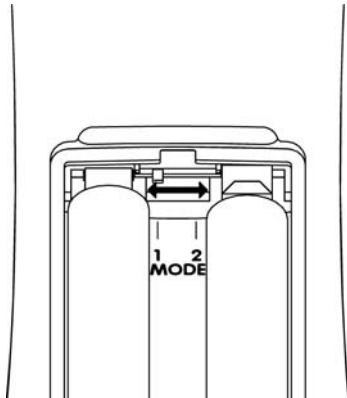


1. Verify that you have two new AAA-size batteries and unplug the handset from the cord.
2. Remove the battery cover by using your fingernail, press down on the top of the battery compartment cover and pull out away from handset.
3. Insert the right-side battery, positive end facing down.
4. Insert the left-side battery, positive end facing up.
Note: Diagram printed on bottom of battery compartment shows proper battery placement.
5. Replace battery cover.

Always remove old, weak, or worn-out batteries promptly and safely by unplugging the handset from the cord and then removing the batteries. Recycle or dispose of them in accordance with Local and National Disposal Regulations. Install new batteries as shown in the figures above.

Setting the Mode

Before using the handset, set the slide switch, located inside the battery compartment to the mode you want. The figure below shows the slide switch set to Mode 1 (the 'Push to Amplify' mode).



To change from Mode 1 to Mode 2:

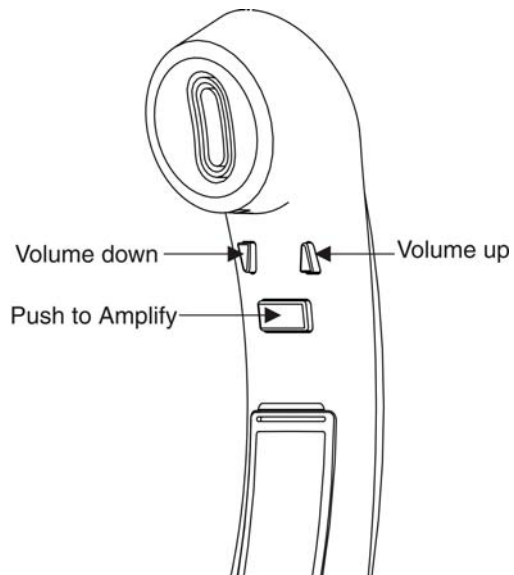
1. Remove the battery cover.
2. Move the slide switch to the right for Mode 2.
3. Replace the battery cover.

Using the Handset

When using the Amplified Speech handset additional volume can be achieved by adjusting the telephone volume and the handset volume. It is recommended that the Telephone Volume be set at the middle volume setting. The best audio quality can be achieved with this setting.

The handset has three buttons, as shown below:

- Volume Down
- Volume Up
- Push to Amplify



The handset receive volume changes (in steps) each time you press the 'Volume Up' or 'Volume Down' buttons. There are six volume settings. A maximum volume tone will sound when the loudest volume is reached. A minimum tone will sound when the softest volume is reached.

To 'Push to Amplify':

1. Set slide switch to Mode 1.
2. Use the Volume Up or Volume Down buttons to adjust volume to the desired level.
3. Push the 'Push to Amplify' button only when you want to amplify.

To 'Always Amplify':

1. Set the slide switch to Mode 2.
2. Use the 'Volume Up' or 'Volume Down' buttons to adjust to the desired level.
3. The volume will remain at the level you set. There is no need to push the 'Push to Amplify' button.

Battery Conservation State

The Amplified Speech Handset has a battery conservation state. If the handset does not detect any sound in the receive or transmit direction for approximately 30 seconds it will automatically set itself to this state. An example of when this state may be reached is when a call is put on hold. In this situation the handset is still working but the user may hear less background noise. The handset will automatically return to standard operation when it detects a button press or when it once again detects sound in the receive or transmit direction.

Low Battery Indicator

You will hear a hi/low warning tone when the batteries need to be replaced. The warning tone will repeat at approximately two-minute intervals, unless the handset is in a battery conservation state. When the 'Low Battery Indicator' sounds replace the batteries as described above.

No Battery / Dead Battery Operation

If the batteries in the Specialty Handset are not installed or if they are dead, the handset will operate as a non-amplified handset. You can still make a phone call but you will not be able to increase the volume above the maximum volume that is provided by the volume controls on the telephone.

Free Manuals Download Website

<http://myh66.com>

<http://usermanuals.us>

<http://www.somanuals.com>

<http://www.4manuals.cc>

<http://www.manual-lib.com>

<http://www.404manual.com>

<http://www.luxmanual.com>

<http://aubethermostatmanual.com>

Golf course search by state

<http://golfingnear.com>

Email search by domain

<http://emailbydomain.com>

Auto manuals search

<http://auto.somanuals.com>

TV manuals search

<http://tv.somanuals.com>