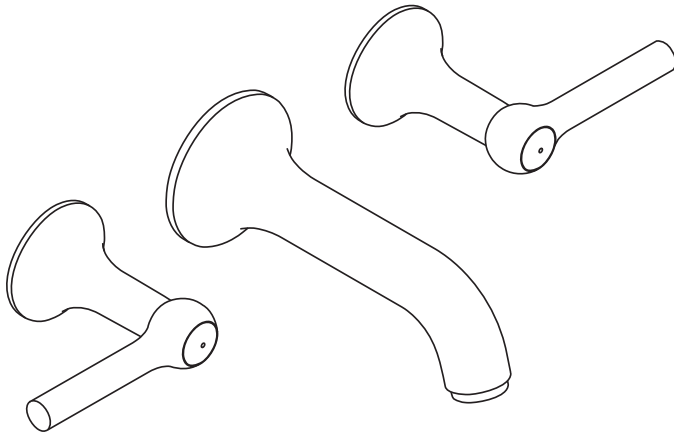


Axor Terrano Widespread Lavatory Faucet

37315XX1



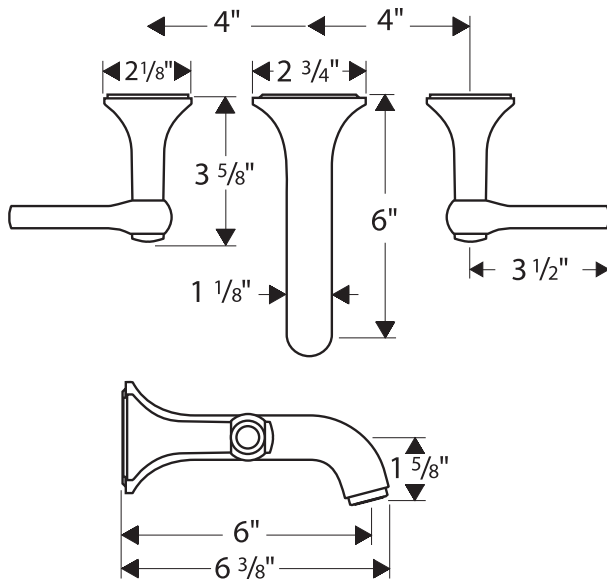
Product Features

- Wall mounted
- Lever handles
- Ceramic cartridges
- 6" spout
- Flow rate 2.2 gpm

Code Compliance

This unit meets or exceeds the following:

- ASME A112.18.1
- CSA B125.1
- Listed by IAPMO
- Approved for use in Massachusetts
- ADA compliant



Available Finishes

Chrome	37315001
Brushed Nickel	37315821

Required Accessories

Rough valve	10303181
-------------	----------

Optional Accessories

Grid drain	06400XX0
------------	----------

The measurements shown are for reference only.

Products and specifications shown are subject to change without notice.

Specification sheet revised 3/2008

AXOR[®]
hansgrohe

Free Manuals Download Website

<http://myh66.com>

<http://usermanuals.us>

<http://www.somanuals.com>

<http://www.4manuals.cc>

<http://www.manual-lib.com>

<http://www.404manual.com>

<http://www.luxmanual.com>

<http://aubethermostatmanual.com>

Golf course search by state

<http://golfingnear.com>

Email search by domain

<http://emailbydomain.com>

Auto manuals search

<http://auto.somanuals.com>

TV manuals search

<http://tv.somanuals.com>