



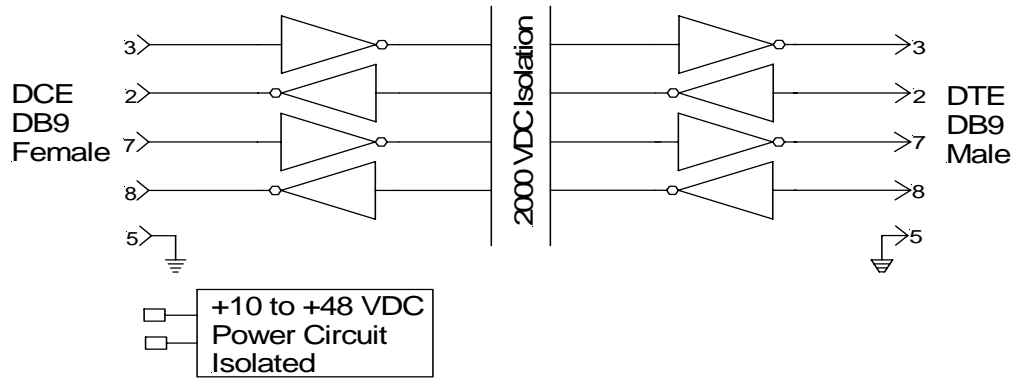
Model: 232OPDRI
RS-232 Industrial Isolator
DIN Rail Mountable

Overview

The 232OPDRI is a DIN rail mountable RS-232 optical isolator. It isolates four RS-232 lines at 2KV, two lines in each direction. The signals can be data or handshakes. Four LEDs show data traffic and one LED indicates power. The connections are made through a DB9 male connector on the DTE side and a DB9 female connector on the DCE side. The 232OPDRI requires a single 10 to 48 VDC power supply, which is isolated from both sides of the converter.



The 232OPDRI is ideal for the industrial environment. The 2000 volt isolation protects your computer from ground loops and induced currents caused by lightning, heavy equipment turning on and off, or the serial cable running close to high power lines. The isolation also helps eliminate ground loops caused by different potentials on the grounds. The isolated power supply allows you to hook up almost any DC power to this converter.

The 232OPDRI can also be used as a repeater to extend the RS-232 signal beyond 50 feet (15 meters). The signal lines can handle either two data lines in each direction, or one data line and one handshake line in each direction.



Specifications

Dimensions: 4.9 x 4.2 x 1.3 in (12.4 x 10.5 x 3.2 cm)
 Temperature Range: -40 to +80 °C (-40 to +176 °F)
 Supply Voltage: +10 to 48VDC (+/- 20%) @ 960mW
 Data Rates: Up to 115.2K bps
 Connectors: DB9 male, DB9 female
 Isolation: 3-way isolation, 2000V RMS input/output/power supply
 Approvals: UL, cUL, Class1 Div2

DECLARATION OF CONFORMITY	
Manufacturer's Name:	B&B Electronics Manufacturing Company
Manufacturer's Address:	P.O. Box 1040 707 Dayton Road Ottawa, IL 61350 USA
Model Numbers:	232OPDRI
Description:	RS-232 Industrial Isolator
Type:	Light industrial ITE equipment
Application of Council Directive:	89/336/EEC
Standards:	EN 55022 EN 61000-6-1 EN 61000 (-4-2, -4-3, -4-4, -4-5, -4-6, -4-8, -4-11)
 	
Michael J. Fahrion, Director of Engineering	



International Headquarters: 707 Dayton Road PO Box 1040 Ottawa, IL 61350 USA
815-433-5100 Fax 433-5104 www.bb-elec.com orders@bb-elec.com support@bb-elec.com

European Headquarters: Westlink Commercial Park Oranmore Co. Galway Ireland
+353 91 792444 Fax +353 91 792445 www.bb-europe.com orders@bb-europe.com support@bb-europe.com
Download from www.Somanuals.com. All Manuals Search And Download.

Free Manuals Download Website

<http://myh66.com>

<http://usermanuals.us>

<http://www.somanuals.com>

<http://www.4manuals.cc>

<http://www.manual-lib.com>

<http://www.404manual.com>

<http://www.luxmanual.com>

<http://aubethermostatmanual.com>

Golf course search by state

<http://golfingnear.com>

Email search by domain

<http://emailbydomain.com>

Auto manuals search

<http://auto.somanuals.com>

TV manuals search

<http://tv.somanuals.com>