



**PTO
GRASS COLLECTION
SYSTEM**

DESIGNED FOR:

**MODEL 48031301
BAD BOY PUP SERIES MOWERS**



OPERATOR'S MANUAL

ASSEMBLY ● OPERATION ● MAINTENANCE

MANUAL PART#: Q0336

\$4.00

REV: 0

Download from www.Somanuals.com. All Manuals Search And Download.

PTO GRASS COLLECTION SYSTEM

TABLE OF CONTENTS

SECTION	PAGE	SECTION	PAGE
Safety	2	2-12 Lengths Of Hose Adjustment	13
Safety Alert Symbols	3	2-13 Upper Hose Installation	13
Warranty	4	2-14 Lower Hose To Blower Cone Installation	13
I INTRODUCTION AND DESCRIPTION	5	2-15 Lower Hose To Boot Installation	13
1-1 Introduction	5	2-16 Front Weight Installation	13
1-2 Description	5	2-17 Installation/Removal Of Collection Bags	14
II INSTALLATION FOR USE	5	III OPERATING INSTRUCTIONS	15
2-1 Preparation Of Mower	5	3-1 General Safety	15
2-2 PTO Assembly Installation	6	3-2 Operation & Tips On Mowing	15
2-3 Belt Installation	6	3-3 Disengagement Of The Blower	15
2-4 Cam Assembly Adjustment	7	3-4 Unloading The Collection System	15
2-5 Lower Frame Installation	7	IV MAINTENANCE	15
2-6 Mount Tube Stiffener Installation	7	4-1 Maintenance Checklist	15
2-7 Upper Frame Assembly Installation	11	4-2 Lubrication	16
2-8 Top Assembly To Upper Frame Assembly Installation	11	V PARTS AND SERVICE	16
2-9 Boot To Mower Deck Installation	11	5-1 Parts And Service Information	16
2-10 Blower Cone Installation	12	Safety Decals	17
2-11 Impeller Blade Removal/Replacement	12	Torque Specifications	18
		Notes	19

Safety

1. Read the operator's manual carefully and familiarize yourself with the proper use of your attachment. Do not allow anyone who is not acquainted with the Safety Instructions to use your attachment.
2. Know the controls and how to stop quickly. **READ THE OPERATOR'S MANUAL!**
3. Do not allow children to operate the vehicle. Do not allow adults to operate it without proper instruction.
4. Be especially watchful of children and pets darting into the area while operating.
5. Keep your eyes and mind on your unit while mowing or operating your attachment. Don't let others distract you.
6. Do not attempt to operate your unit or mower when not in the driver's seat.
7. Always stop unit when emptying the container.
8. Stop unit, shut off deck and attachment, set parking brake, shut off mower engine and remove spark plug wire before removing clogs or removing or replacing hose, boot, blower cone, or performing any maintenance.
9. Mow up and down the face of slopes (not steeper than 10 degrees); never across the face of the slope.
10. It is recommended that the container be kept only half full when negotiating any slopes. Start mowing on slopes when the container is empty.
11. Inspect your lawn and remove any foreign objects before mowing. Never deliberately run the mower across any foreign object.
12. Wear ear protection if the noise level is offensive.
13. Wear eye protection to prevent debris from damaging your eyes.
14. Be alert for all other traffic when driving on public roads or highways.
15. Moisture content in most grasses can damage mower and grass collector components. Also, dry grass and leaves left in the bags can be a fire hazard. Always make sure the bags are completely empty and the blower and hoses are fully cleaned before storage.

SAFETY

WARNING! **NEVER** operate the unit unless the discharge guard and either the deflector assembly or the vacuum collector adapter are fastened securely in place.

WARNING! Do not work around the mower deck boot or the blower area until you are certain that the mower blades and the blower impeller have stopped rotating.

WARNING! To avoid serious injury, perform maintenance on the vacuum collector; **ONLY AFTER STOPPING THE MOWER'S ENGINE AND WAITING FOR ALL MOVING PARTS TO COME TO A COMPLETE STOP.** Set the parking brake. Always remove the ignition key before beginning maintenance.

WARNING! For your own personal safety, **ALWAYS** mow **UP** and **DOWN** the face of slopes and **NEVER** across the face. **NEVER** attempt to mow excessively steep slopes, and use caution when turning on any slope.

Safety Alert Symbol



This Safety Alert Symbol means: **“ATTENTION! BECOME ALERT! YOUR SAFETY IS INVOLVED!”**

This symbol is used to call attention to safety precautions that should be followed by the operator to avoid accidents. When you see this symbol, carefully read the message that follows and heed its advice. Failure to comply with safety precautions could result in death or serious bodily injury.

Safety Signs

The signal words **DANGER**, **WARNING**, and **CAUTION** are used on the equipment safety signs. These words are intended to alert the viewer to the existence and the degree of hazard seriousness.



White letters on **RED**

This signal word indicates a potentially hazardous situation which, if not avoided, will result in death or serious injury.



Black letters on **ORANGE**

This signal word indicates a potentially hazardous situation which, if not avoided, could result in death or serious injury.

It may also be used to alert against unsafe practices.



Black letters on **YELLOW**

This signal word indicates a potentially hazardous situation exist which, if not avoided, will result in minor or moderate injury.

It may also be used to alert against unsafe practices.

PECO LIMITED WARRANTY FOR NEW PRODUCTS

A. WHAT IS WARRANTED?

PECO extends the following warranties to the original purchaser of each new PECO consumer product subject to the following limitations:

- 1. PRODUCT WARRANTY:** Any part of any consumer product, which is defective in material or workmanship as delivered to the purchaser will be repaired or replaced, as PECO elects, without charge for parts or labor, if the defect appears within 12 months from the date of delivery of the product to the original purchaser. **ALL DEFECTIVE PARTS MUST BE RETURNED TO PECO FOR INSPECTION TO DETERMINE VALIDITY OF WARRANTY CLAIMS.** Freight and mailing will be borne by the customer.
- 2. PARTS REPLACED DURING WARRANTY:** Any new PECO part which is furnished in performance of this warranty and is defective in material or workmanship as delivered to the purchaser will be repaired or replaced, as PECO elects, without charge if the defect appears within 90 days from the date of installation of such part or before the expiration of the original warranty period, whichever is later.

B. SECURING WARRANTY ADJUSTMENTS.

Call PECO for Return Authorization. Damaged or broken parts, other than engines or batteries, must be returned to PECO Inc., 100 Airport Road, Arden, NC 28704 before any warranty adjustment can be authorized. At the time of requesting warranty adjustment, the purchaser must present evidence for date of delivery of the product. The purchaser shall pay any charge for the product to and from Arden, NC.

C. ITEMS NOT COVERED BY PECO WARRANTY.

Engines and batteries attached to PECO products are covered under a separate warranty by the respective manufacturer.

D. UNAPPROVED ALTERATION OR MODIFICATION.

All obligations of PECO Inc., under this warranty, shall be terminated if products are altered or modified in ways not approved by PECO Inc..

E. ACCIDENTS AND NORMAL MAINTENANCE.

The warranty covers only defective material and workmanship. It does not cover depreciation or damage caused by normal wear, accident, improper use or abuse of products. The cost of normal maintenance and normal replacement of service items such as belts, cutting blades, hoses, etc., which are not defective shall be paid for by the purchaser.

F. NO REPRESENTATIONS ADDITIONAL WARRANTIES, DISCLAIMER.

Neither PECO Inc. nor any company affiliated with it makes any warranties, representations or promises as to the quality of performance of its products other than those set forth herein. Except as described above, PECO Inc. makes no other warranties **AND SPECIFICALLY DISCLAIMS ANY AND ALL IMPLIED WARRANTIES OF FITNESS AND MERCHANTABILITY.**

G. ANY MACHINE USED FOR RENTAL PURPOSES ARE GUARANTEED FOR 45 DAYS FROM DATE OF ORIGINAL SALE ONLY.

H. REMEDIED EXCLUSIVE.

The only remedies the purchaser has in connection with the breach or performance of any warranty on PECO Inc. consumer products are set forth above. In no event will PECO be liable for special incidental or consequential damages.

1. NO SERVICE CENTER WARRANTY.

The selling Service Center makes no warranty on his own on any item warranted by PECO Inc. unless he delivers to purchaser a separate written warranty certificate specifically warranting the item. The dealer has no authority to make any representation or promise on behalf of PECO or to modify the terms of this warranty in any way.

SECTION I

INTRODUCTION AND DESCRIPTION

1-1 Introduction

We are pleased to have you as a Bad Boy customer. Your collection system has been designed to give you a low maintenance, simple, and effective way to collect the grass clippings from your mower. This manual is provided to give you the necessary instructions to properly mount and operate the collection system on your mower. Please read this manual thoroughly. Understand what each control is for and how to use it. Observe all safety decal precautions on the machine and noted throughout the manual.

NOTE: All references made to right, left, front, rear, top or bottom are as viewed from the normal operator's position on the mower.

1-2 Description

The collection system is designed for turf maintenance where there is a need to collect the grass clippings as the mower cuts the turf. It is also good for picking up leaves and twigs in pre-season and post-season clean-up.

The blower, mounted on the right side of the unit, uses a belt and gearbox system from the engine PTO shaft. Drive train protection comes through belt slippage. The blower draws grass clippings from the discharge area of the cutter deck back to the 3 - 3.3 cubic foot collection bags P#(G0002) at the rear portion of the mower frame. The operator can engage the blower with a push of the over-center linkage on the right side of the unit. Once the bags are full with clippings, they can be released to make for easy dumping.

Section II

INSTALLATION FOR USE

2-1 Preparation Of Mower

Carefully dismantle shipping box from around the components. Cut retaining straps and separate the parts. The collection system will have various parts located inside. Remove and sort all parts for easy identification.

NOTE: Before each step of assembly it will help to study the exploded drawings on pages 8,9 and 10.

From the underside of the mower engine remove the bolt and bushing from the electric clutch assembly. Replace these parts with the engine pulley assembly P#(A0611), lock washer, and bolt. See the listing below for information on what hardware will need to be used and added for the various types of mower engine options:

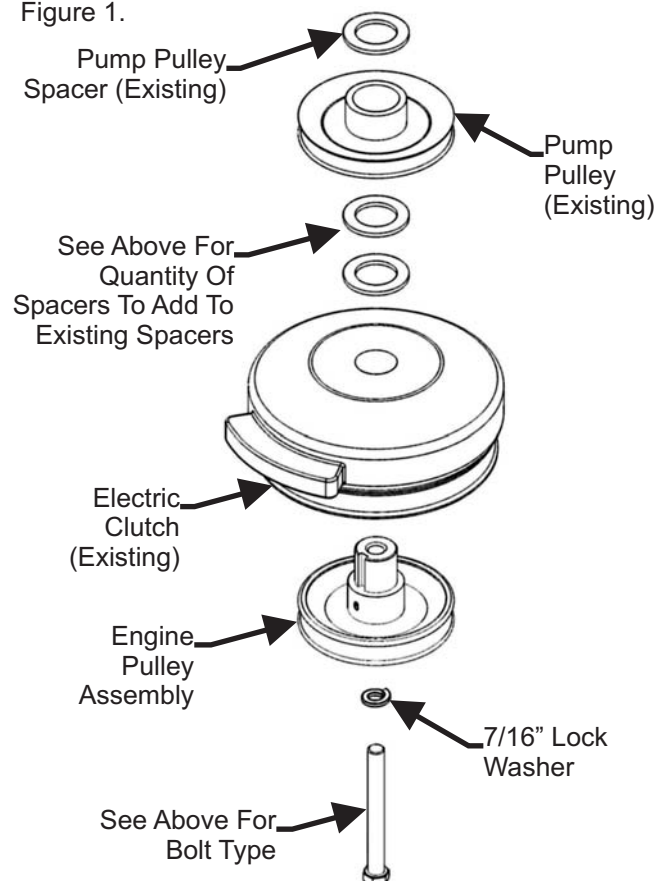
23HP, 32HP Vanguard & 26HP Briggs ELS - Add (2) flat washers P#(K0131) between clutch and pump pulley, use (1) 7/16"-20 x 4" HHCS P#(K0359) and (1) 7/16" lock washer P#(K0053) to fasten engine pulley assembly.

26HP Kawasaki - Add (1) flat washer P#(K0131) between clutch and pump pulley (has 2 existing washers between clutch and pump pulley), use (1) M10-1.5 x 90MM HHCS P#(K0117) and (1) 7/16" lock washer P#(K0053) to fasten engine pulley assembly.

27HP & 30HP Kohler - Do not add washer (has 1 existing washer between clutch and pump pulley), use (1) 7/16"-20 x 4" HHCS P#(K0359) and (1) 7/16" lock washer P#(K0053) to fasten engine pulley assembly.

The added pulley will power the collection system. Note that the center of the hub that is extended should be upward toward the engine (Figure 1). Torque the bolt to 55 ft./lbs.

Figure 1.



2-2 PTO Assembly Installation

Remove the (2) existing bolts and nuts from the right side that fastens the mower's rear frame to the mower's chassis. Align the (2) lower holes on the PTO assembly P#(A0610) (Figure 2) to the (2) lower holes on the mower's rear frame. Fasten by using (2) 5/16"-18 x 1-1/4" Grade 8 HHCS P#(K0118) and (2) 5/16"-18 flange nuts P#(K1178). Once the PTO assembly is fastened, drill a hole into the mower's rear frame by using the PTO assembly as a pilot and using a 5/16" drill bit. Fasten by using (1) 5/16"-18 x 1-1/4" Grade 8 HHCs P#(K0118) and (1) 5/16"-18 flange nut P#(K1178). See Figure 3 for finished installation. Tighten all nuts and bolts.

Figure 2.

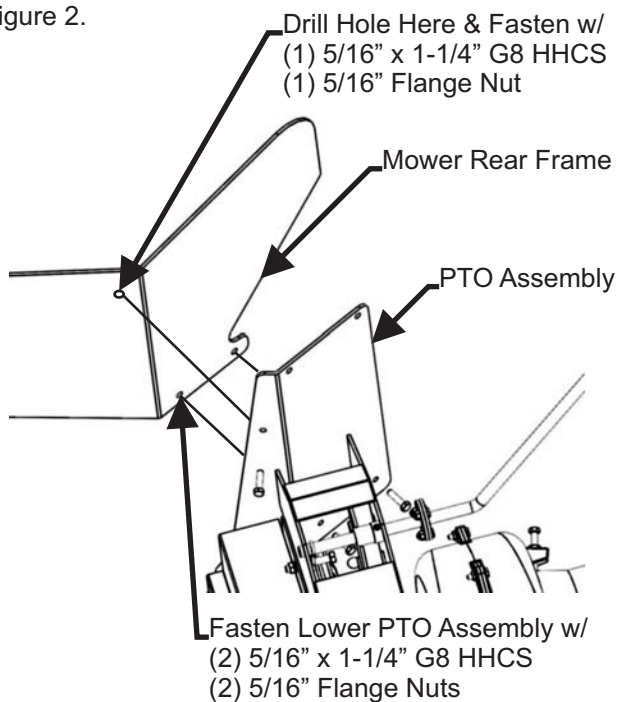
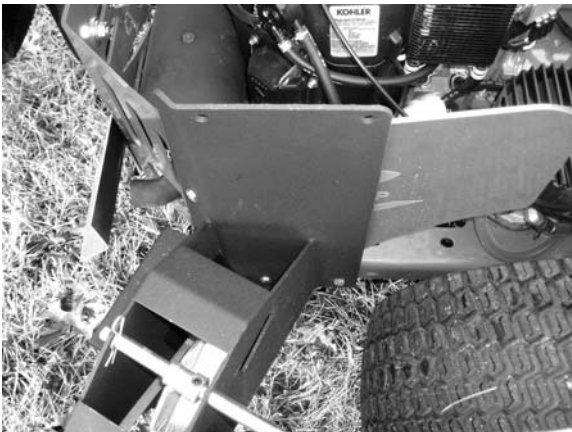


Figure 3.



2-3 Belt Installation

Remove the pulley guard P#(B0075) by removing the (2) 1/4"-20 x 1/2" HHSTS P#(K0353), see page 9, diagram # 38 and #39 for part location. Loosen the (2) bolts that secure the gear box assembly P#(A0429) to the PTO mount plate (Figure 4). Loosen the adjustment bolt P#(K0348) until the gear box assembly is at the far left adjustment (the gear box is moved towards the mower's engine pulley). Connect the kevlar cord belt from the engine pulley to the lower gear box pulley (Figure 5).

To tension the drive belt, turn the adjustment bolt clockwise until there is 1" of deflection, with 10-11 lbs. of pressure between the engine pulley and the gear box pulley. Once the correct tension of the belt is achieved, tighten the (2) bolts that secure the gear box assembly.

Figure 4.

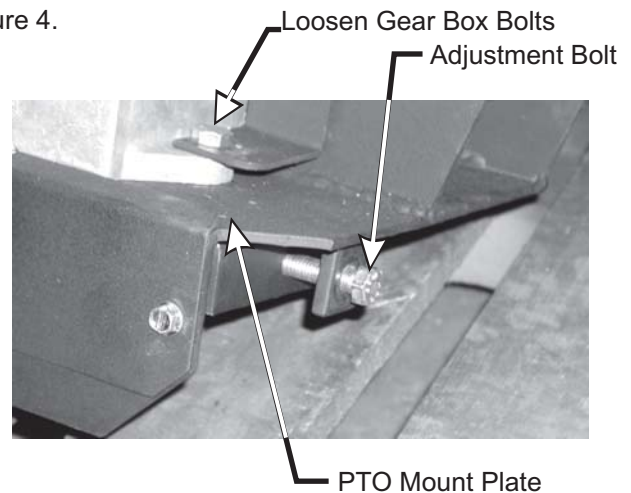
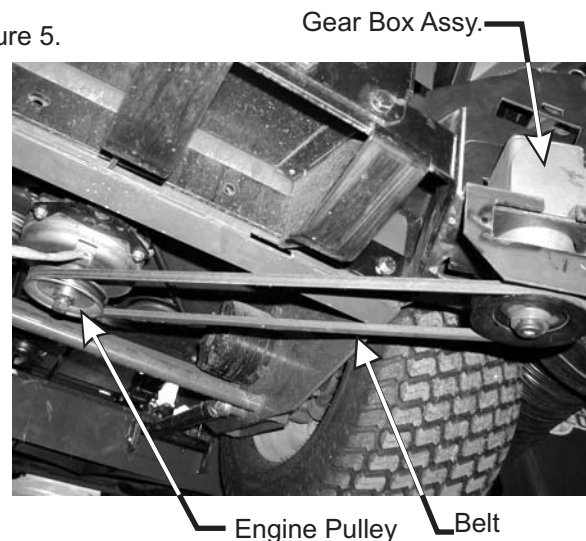


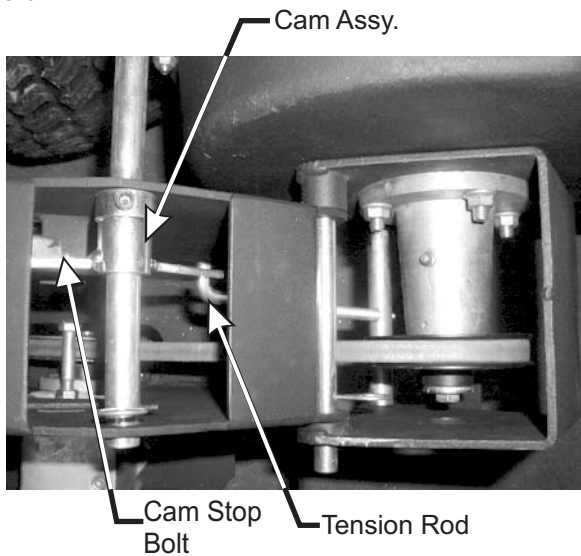
Figure 5.



2-4 Cam Assembly Adjustment

The cam assembly P#(A0422), which controls the blower belt tension, comes from the factory pre-adjusted. If the belt is too tight or becomes too loose, remove the hair pin clip P#(K0099) from the belt tension rod P#(K0326) and pull the "L" end of the rod out of its hole in the cam assembly. The tension rod may then be screwed out to tighten the belt or screwed in to loosen the belt. Replace the "L" end into the top hole in the cam and replace the hair pin clip. Adjust the cam stop bolt P#(K1159) to allow the cam to rotate slightly over center when the blower is disengaged (Figure 6).

Figure 6.

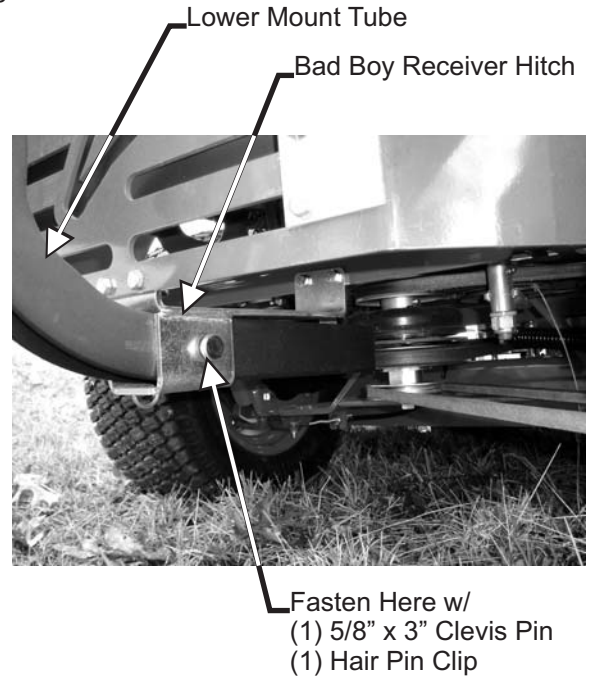


2-5 Lower Frame Installation

NOTE: Before continuing installation, you must install the Bad Boy Pup Series bolt-on hitch P#(093-1112-00) for the rear of the mower. Adding this hitch is required for mounting the collection system. Contact Bad Boy to purchase at (870) 698-0090.

Slide the short leg of the lower mount tube P#(B0246) into the Bad Boy bolt-on hitch previously installed. Align the hole in the mount tube to the bolt-on hitch and fasten by using (1) 5/8" x 3" clevis pin P#(K0172) and (1) 5/32" x 2-5/8" hair pin clip P#(K0088) (Figure 7).

Figure 7.



2-6 Mount Tube Stiffener Installation

Place the lower mount tube stiffener P#(B0247) between the lower mount tube (previously installed) and the mower's rear frame positioning the bend flaps downwards (Figure 8). Fasten to the mower's rear frame by using (2) 1/2"-13 x 1" HHCS P#(K1231), (2) fender washers P#(K0041) and (2) 1/2"-13 flange nuts P#(K1246). Fasten to the lower mount tube by using (1) 3/8"-16 U-bolt P#(K1432) and (2) 3/8"-16 flange nuts P#(K1215). Tighten all nuts and bolts.

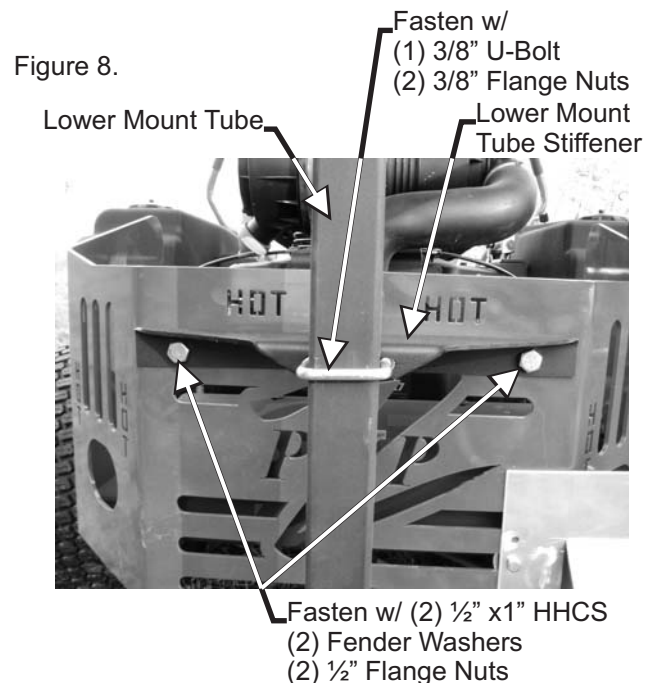
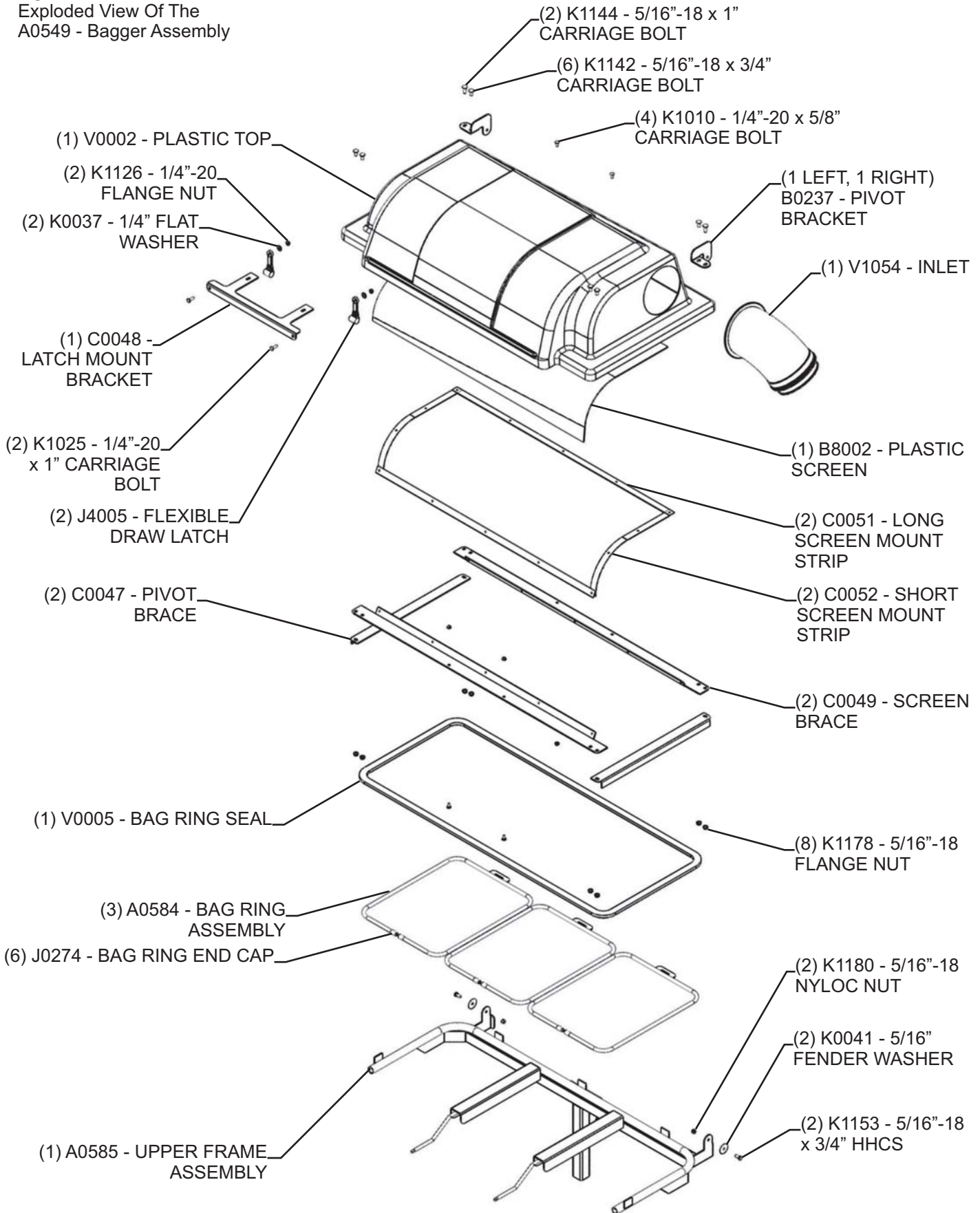
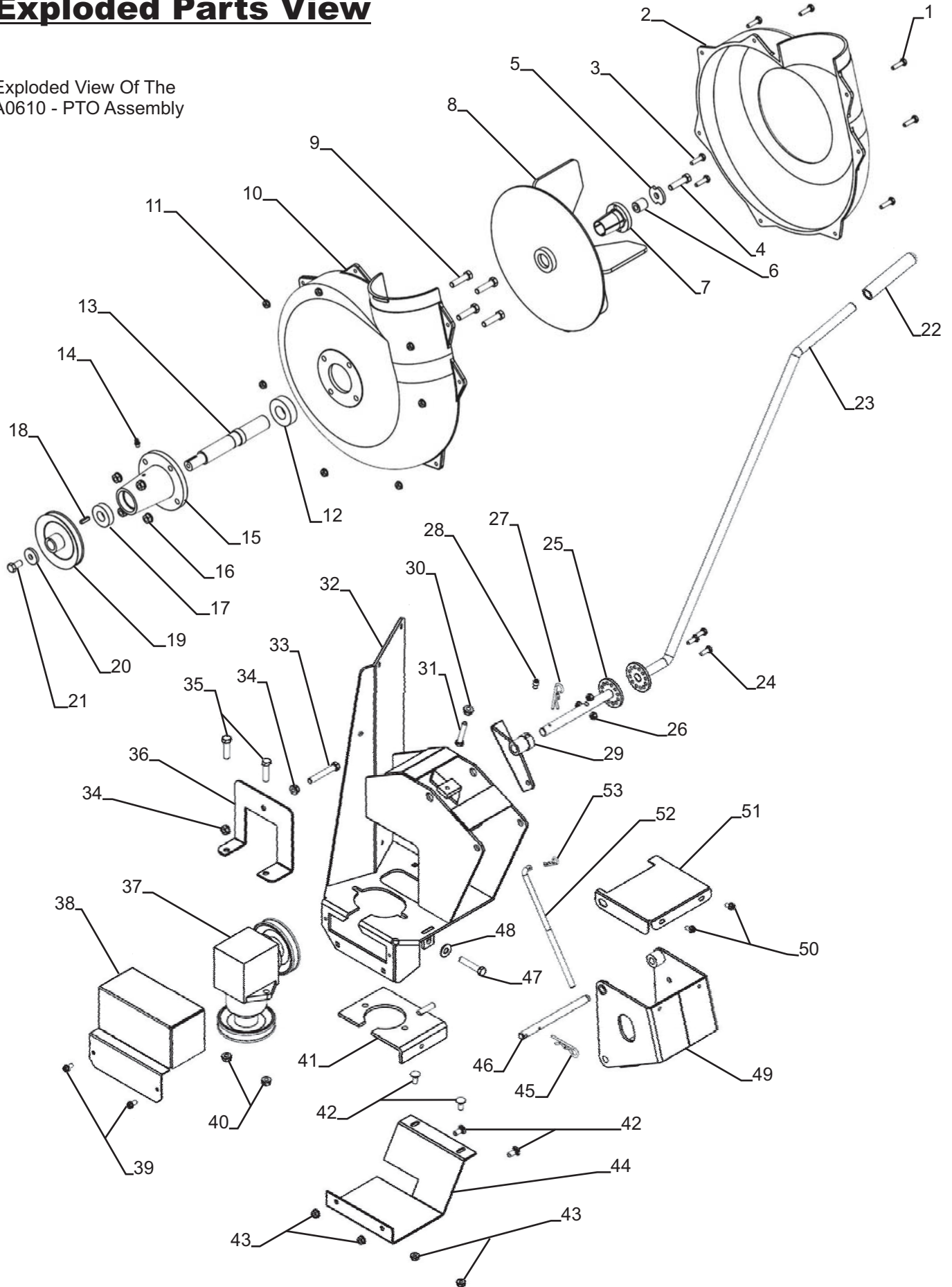


Figure 11.
Exploded View Of The
A0549 - Bagger Assembly

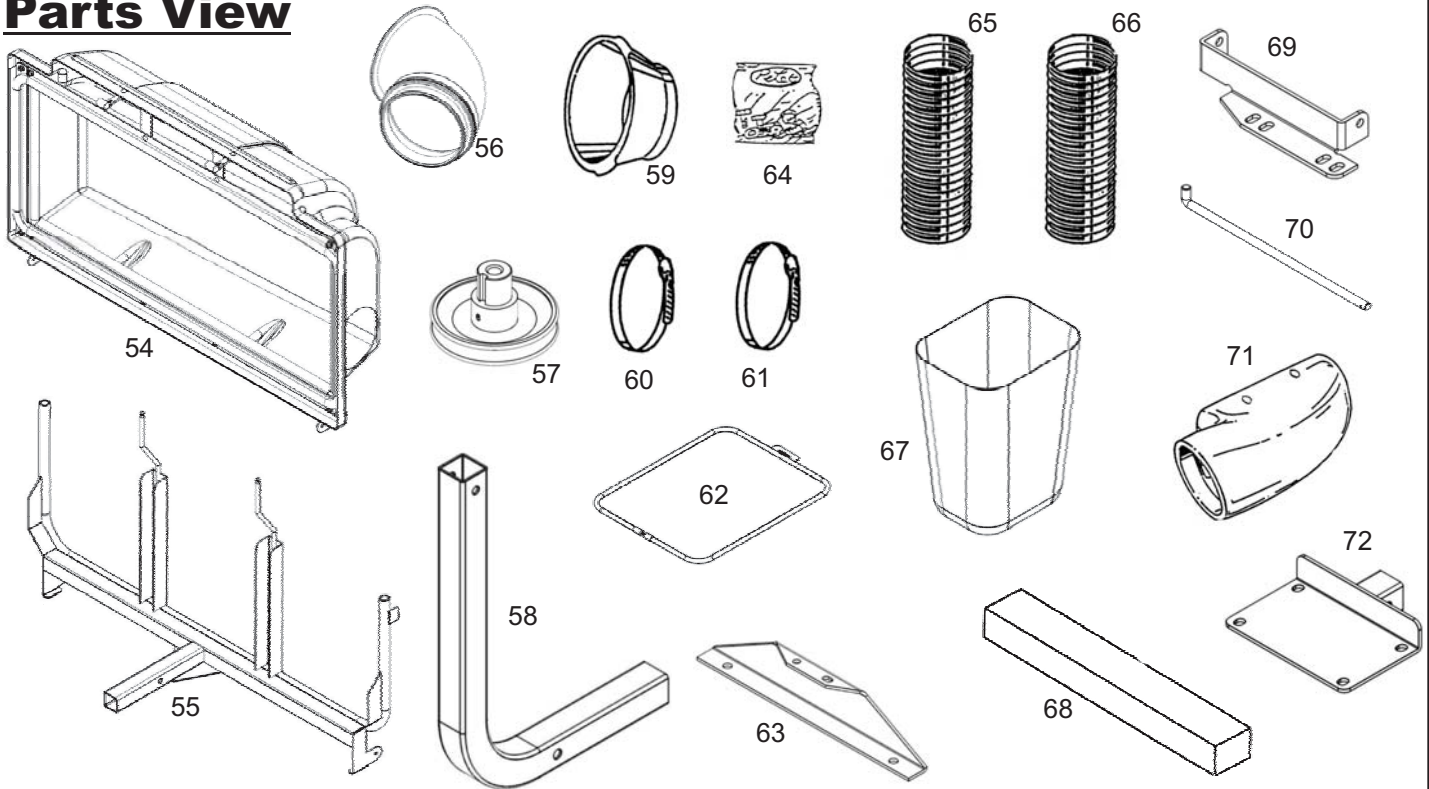


Exploded Parts View

Exploded View Of The
A0610 - PTO Assembly



Parts View



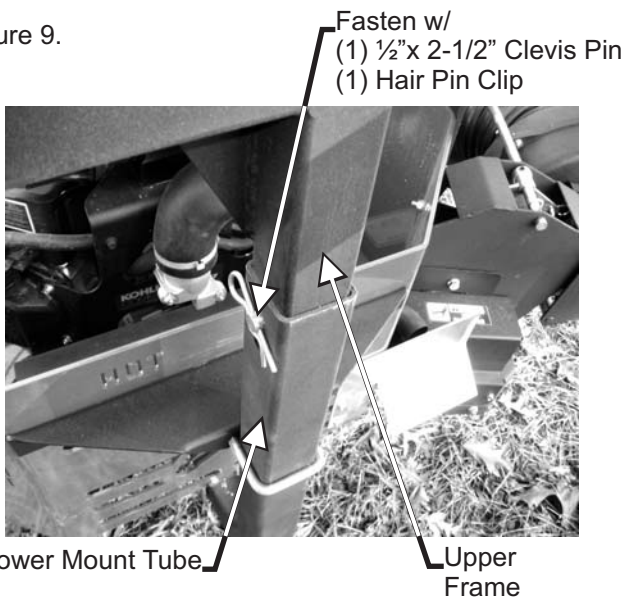
Item	Part No.	Qty.	Description	Item	Part No.	Qty.	Description
1	K1125	7	1/4"-20 x 1" HHCS	40	K1215	2	3/8"-16 FLANGE NUT
2	E4004F	1	BLOWER HOUSING FRONT	41	A0436	1	BELT TENSION BRACKET ASSEMBLY
3	K1225	2	1/4"-20 x 1" HHCS G8	42	K1142	4	5/16"-18 x 3/4" CARRIAGE BOLT
4	K1211	1	3/8"-16 x 1-1/2" HHCS G8	43	K1178	4	5/16"-18 FLANGE NUT
5	K0278	1	TAPER-LOCK WASHER	44	B0162	1	SKID PLATE
6	S3242	1	TAPER-LOCK SPACER	45	K0086	1	HAIR PIN CLIP
7	S4302	1	TAPER-LOCK BUSHING	46	B1755	1	BLOWER PIVOT ROD
8	A0914	1	4 BLADE IMPELLER ASSEMBLY	47	K0348	1	3/8"-16 x 2" HHCS
9	K1193	4	3/8"-16 x 1-1/2" HHCS	48	K0075	1	3/8" FLAT WASHER
10	E4004B	1	BLOWER HOUSING BACK	49	A0144	1	BLOWER MOUNT BRACKET ASSEMBLY
11	K1126	7	1/4"-20 FLANGE NUT	50	K0353	2	1/4"-20 x 1/2" HHSTS
12	N0147	1	LARGE BEARING	51	B0121	1	BLOWER BELT GUARD
13	B1758	1	PTO SHAFT	52	K0326	1	BELT TENSION ROD
14	J0801	1	ZIRC FITTING	53	K0130	1	HAIR PIN CLIP
15	E0121	1	PTO SHAFT HOUSING	54	A0551	1	TOP ASSEMBLY
16	K1215	4	3/8"-16 FLANGE NUT	55	A0585	1	UPPER FRAME ASSEMBLY
17	N0148	1	SMALL BEARING	56	V1054	1	INLET
18	J0254	1	3/16" SQ. x 3/4" LONG KEY-WAY	57	A0611	1	ENGINE PULLEY
19	M0228	1	BLOWER PULLEY	58	B0246	1	LOWER MOUNT TUBE
20	K1446	1	WASHER	59	E6009	1	8" BLOWER CONE
21	K1190	1	3/8"-16 x 3/4" HHCS	60	J6011	2	5"-6" HOSE CLAMP
22	V1151	1	BLACK HANDLE GRIP	61	J6006	2	7"-8" HOSE CLAMP
23	A0603	1	PTO HANDLE ASSEMBLY	62	A0584	3	BAG RING ASSEMBLY
24	K1222	3	1/4"-20 x 3/4" HHCS	63	B0247	1	LOWER MOUNT TUBE STIFFENER
25	A0604	1	PTO HANDLE MOUNT ASSEMBLY	64	HB0231	1	UNIT HARDWARE BAG
26	K1128	3	1/4"-20 NYLOC NUT		HB0234	1	ENGINE PULLEY HARDWARE BAG
27	K0086	1	HAIR PIN CLIP		HB0232	1	BOOT KIT HARDWARE BAG
28	K0356	1	3/8"-16 SET SCREW		HB0233	1	WEIGHT KIT HARDWARE BAG
29	A0422	1	CAM BRACKET ASSEMBLY	65	*****	1	6" x 29" UPPER HOSE
30	K1178	1	5/16"-18 FLANGE NUT	66	*****	1	8" x 34" LOWER HOSE
31	K1159	1	5/16"-18 x 2" HHCS	67	G0002	3	COLLECTION BAG
32	A0593	1	PTO ARM ASSEMBLY	68	B2220	1	WEIGHT BAR
33	K1197	1	3/8"-16 x 2-1/2" HHCS	69	B0184	1	BOOT PLATE
34	K1215	2	3/8"-16 FLANGE NUT	70	B0244	1	BOOT ROD
35	K1193	2	3/8"-16 x 1-1/2" HHCS	71	E1113	1	BOOT
36	B0076	1	BELT GUIDE BRACKET	72	A0597	1	WEIGHT BRKT. ASSEMBLY
37	A0429	1	GEAR BOX ASSEMBLY				
38	B0075	1	PULLEY GUARD				
39	K0353	2	1/4"-20 x 1/2" HHSTS				

2-7 Upper Frame Assembly Installation

NOTE: During this step, it is suggested that two people install the upper frame to the lower mount tube.

Using two people to lift the upper frame, lift the upper frame above the lower mount tube making sure the frame is pointing away from the mower (Figure 9). Slide the upper frame tube into the lower mount tube aligning the mounting hole. Insert (1) 1/2" x 2-1/2" clevis pin P#(K0133) through the hole and fasten with (1) 5/32" x 2-5/8" hair pin clip P#(K0088).

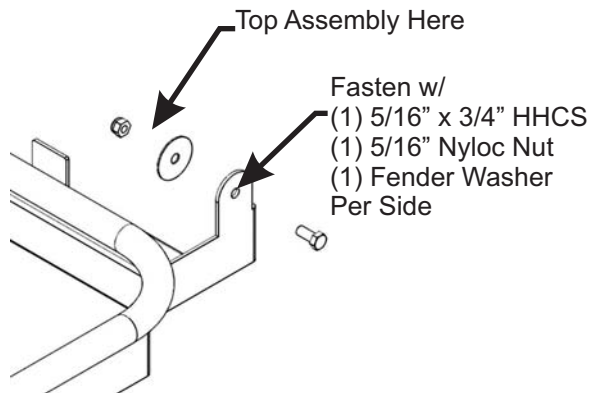
Figure 9.



2-8 Top Assembly To Upper Frame Assembly Installation

Align the pivot brackets of the top assembly P#(A0551) to the pivot point on either side of the upper frame assembly. Place (1) P#(K0041) fender washer between each pivot point (Figure 10) and fasten each side by using (1) P#(K1153) 5/16"-18 x 3/4" HHCS and (1) P#(K1180) 5/16"-18 nyloc nut. When fastening leave nut slightly loose so that the top can pivot freely.

Figure 10.



2-9 Boot To Mower Deck Installation

60" Boot Plate Mounting Instructions

To mount the boot plate P#(B0184) to the boot P#(E1113) use (2) 3/8"-16 x 1" carriage bolts P#(K1182) and (2) 3/8"-16 flange nuts P#(K1215). See Figure 11 for bolt placement.

48" & 52" Boot Plate Mounting Instructions

To mount the boot plate P#(B0184) to the boot P#(E1113) use (2) 3/8"-16 x 1" carriage bolts P#(K1182) and (2) 3/8"-16 flange nuts P#(K1215). See Figure 12 for bolt placement.

NOTE: When bolting the boot and boot plate together, the head of the bolt is placed from the inside of the boot. This will prevent grass from collecting on the bolts.

For All Deck Sizes

Remove the bolts that hold the deflector shield in place so that the boot rod can fasten the boot and boot plate to the mower deck. Align the holes in the boot plate to the holes in the deflector shield mount and slide the boot rod P#(B0244) through and fasten by using (1) hair pin clip P#(K0099).

NOTE: The mower's deflector shield is removed in the following photo for clarity. Always have the deflector shield mounted when mowing.

Figure 11.

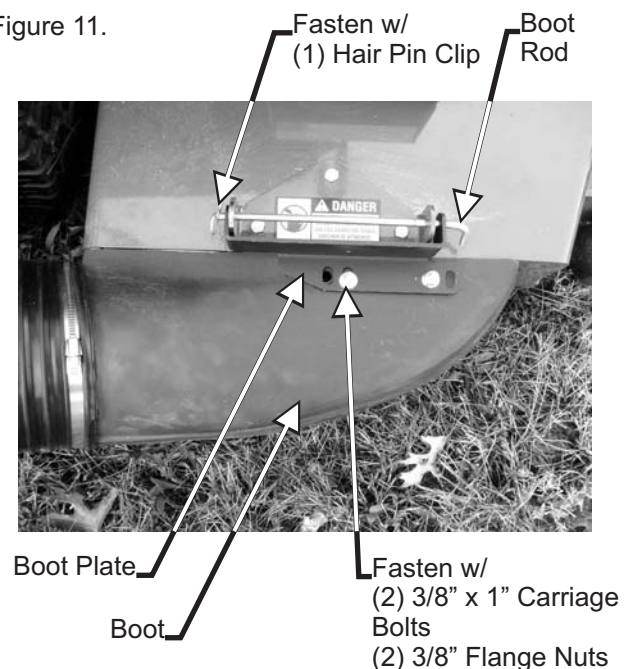


Figure 12.



lock bushing, forcing the blade to break-away from the taper-lock bushing. If the impeller will not move, hit the base of the impeller, between each vein, with a hammer, then try again.

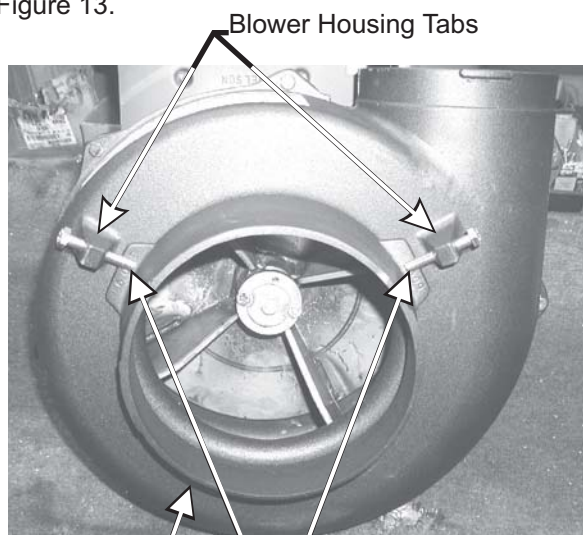
To Replace: Place impeller blade over the engine shaft. Slide the taper-lock bushing into the engine shaft and into the impeller blade, aligning the non-threaded holes of the taper-lock bushing to the threaded holes of the impeller blade. Fasten by using (2) 1/4"-20 x 1" HHCS Grade 8 (torque to 15 ft. lbs), (1) spacer washer and (1) 3/8"-16 x 1" HHCS Grade 8 w/ washer.

Figure 14.

2-10 Blower Cone Installation

Thread (1) 5/16"-18 jam nut P#(K0120) onto each end of (2) 5/16"-18 x 2-1/2" HHCS P#(K0125). Now partially thread the bolts into each of the two tabs located on the blower housing. Place blower cone so the two tabs line up with the bolts then tighten completely. See Figure 13.

Figure 13.



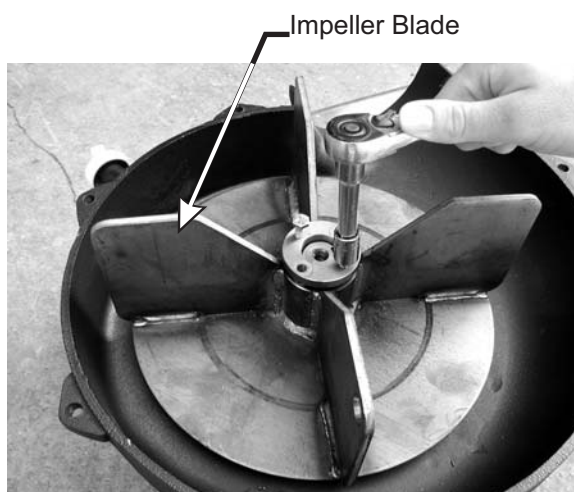
Blower Cone

Blower Housing Tabs

Fasten w/ (2) 5/16" x 2-1/2" HHCS
(2) 5/16" Jam Nuts

2-11 Impeller Blade Removal/Replacement

To Remove: First remove the center 3/8" bolt and the (2) washers from the taper-lock bushing (Figure14). Next remove the (2) 1/4" bolts and place them into the threaded holes (next to the holes they were removed from). Gradually thread each bolt evenly into the taper-



2-12 Lengths Of Hose Adjustment

The hoses in steps 2-13 and 2-14 must be cut to fit your machine. Follow steps 2-13 and 2-14. Do not cut the hoses until you have tried to fit them on your machine. Remember that the hoses have to be long enough to allow for enough clamping surface between the inlet, blower assembly, and the deck boot.

2-13 Upper Hose Installation

Fasten the inlet to the plastic top by sliding the inlet from the inside of the top to the outside and lock into place. Slide a 5"-6" upper hose clamp P#(J6011) onto both ends of the 6" upper hose (Figure 15). Then slide one end of the 6" hose onto the inlet. Make sure there is about a two-inch overlap between the hose end and the container inlet. Proceed to slide the opposite end of the 6" hose onto the outlet of the blower assembly. See Figure 15 for details. Make sure both ends of the hose are clearly attached to the inlet and the blower assembly inlet. Tighten the hose clamps.

Figure 15.

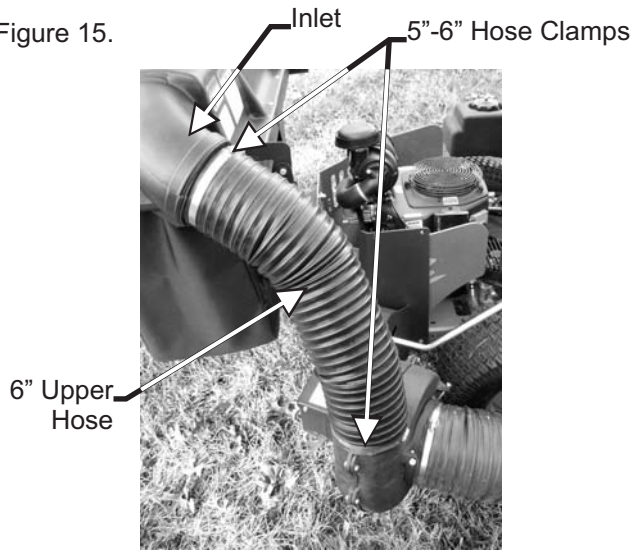
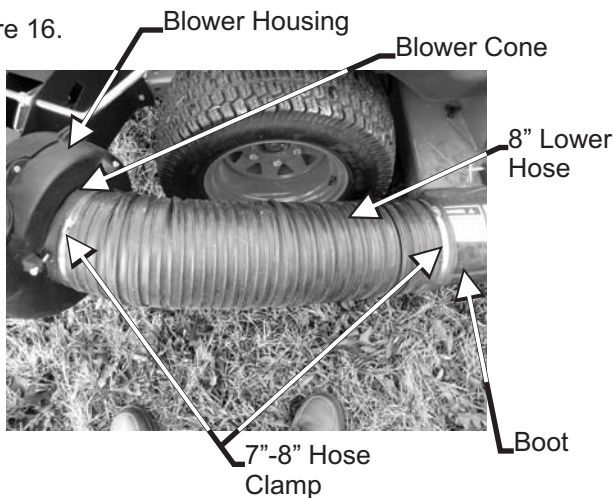


Figure 16.



2-14 Lower Hose To Blower Cone Installation

Slide a 7"-8" hose clamp P#(J6006) over both ends of the lower hose. Then proceed to slide the lower hose onto the blower cone. Tighten the hose clamp. The assembly should look like Figure 16.

2-15 Lower Hose To Boot Installation

Take the unattached end of the lower hose and slide it over the circular end of the boot. Use the lower hose clamp to secure the hose to the boot (Figure 16). Tip: Before securing clamp rotate hose counter-clockwise (away from yourself) approximately 1" to add in retaining boot to mower deck.

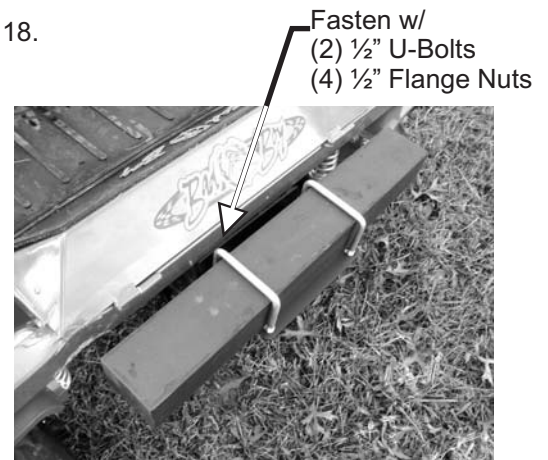
2-16 Front Weight Installation

Slide the weight bracket assembly P#(A0597) into the mower's front receiver hitch (Figure 17). Fasten by using (1) 5/8" x 3" clevis pin P#(K0172) and (1) 5/32" x 2-5/8" hair pin clip P#(K0088). When installing the weight bar (Figure 18) P#(B2220), you should have another person help position the weight centered onto the weight bracket assembly. Fasten the weight by using (2) 1/2"-13 U-bolts P#(K0331) and (4) 1/2"-13 flange nuts P#(K1246). Tighten all nuts and bolts.

Figure 17.



Figure 18.



2-17 Installation/Removal Of Collection Bags

To install the bag onto the bag ring, first make sure the bag ring end caps are fastened to the bag ring. Place the seam openings of the bag onto the bag ring openings and turn the bag until the slot bracket in the bag ring is protruding from the opening in the bag (Figure 19). Do this for each of three bags.

Install the completed assemblies onto the support frame and close the plastic top. Fasten both draw latches to hold the plastic top closed (Figure 20).

To empty the bag, remove the bag and bag ring by lifting and sliding rearward. Grasp the loop on the bottom of the bag, turn it upside down and empty the collected debris (Figure 21). Repeat for the other bags. Reinstall all bags, line with plastic bags if desired, close the plastic top and reattach the draw latches.

Plastic lawn and leaf bags, 33 gallon size, may be used inside the cloth bags. Be sure to leave enough plastic bag hanging over the frame so the plastic bags can be twist tied before emptying (Figure 22).

Figure 19.

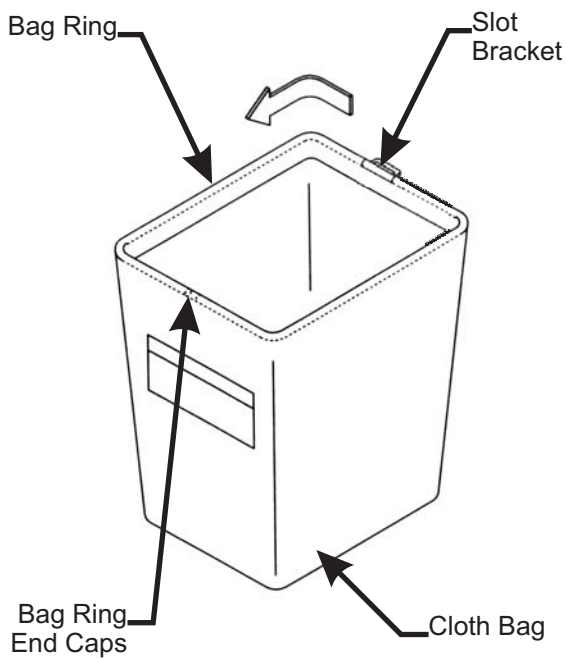


Figure 20.

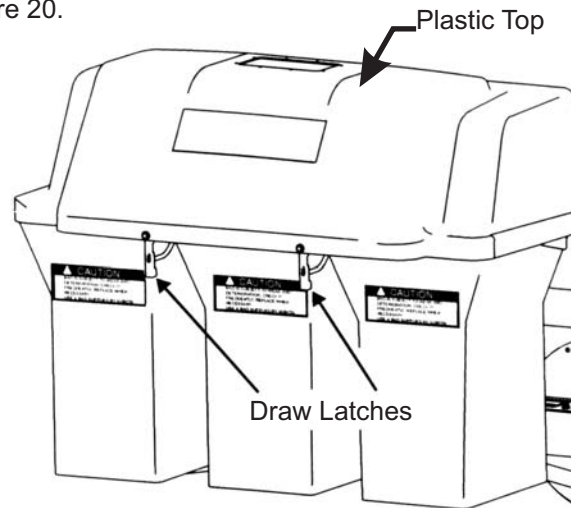


Figure 21.

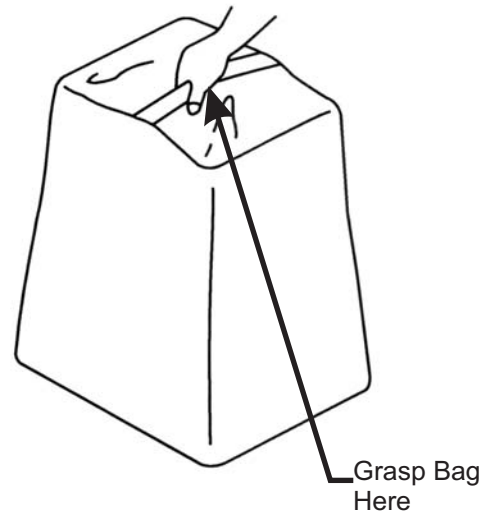
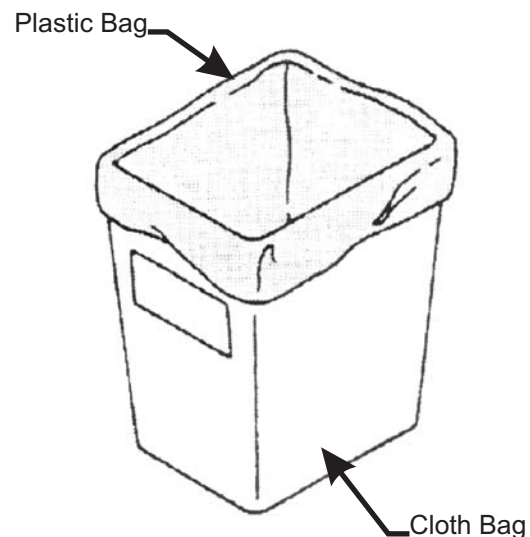


Figure 22.



SECTION III

OPERATING INSTRUCTIONS

3-1 General Safety

Only qualified people familiar with this operator's manual and the mower's operator's manual should operate this machine.

3-2 Operation And Tips On Mowing

- A. Perform BEFORE EACH USE the maintenance list in paragraph 4-1.
- B. Start mower.
- C. With the mower at high idle speed, engage the mower deck.
- D. While seated in the operator's seat, rotate the engagement handle of the collection system away from the mower. Continue to rotate the handle until it stops in an over center position. With the blower engaged, you can proceed to operate the control levers of the mower.

NOTE: If the collection system does not appear to be collecting the grass clippings, disengage the deck and blower, then, engage the parking brake and turn the mower off. Proceed to section 3-3, and review the section 2-3 and 2-4, in this manual.

To obtain the maximum effectiveness from your collection system the tips listed below should be followed:

- * Watch your speed- Normal conditions will allow a speed of up to approximately 5 mph, but thick, heavy damp conditions will require reduced ground speed.
- * Mow with sharp blades- A sharp blade cuts cleaner.
- * Wet grass and leaves will decrease effectiveness and will increase horsepower requirements.
- * Mow at higher cutting heights- Remove and mulch no more than 2" of grass length with each mowing. (Experts recommend not cutting off more than 1/3 of the grass blade length at any given time.)
- * Mow twice, at different height settings, (high, then low), if grass is extra tall.
- * Remember that horsepower requirements will vary with the mowing conditions such as type and height of turf grass, moisture content, amount of leaves, whether the terrain is flat or hilly, etc.

3-3 Disengagement Of The Blower

- A. To disengage the blower, rotate the engagement handle towards the mower.

WARNING: The blower will continue to spin. DO NOT TOUCH the blower, pulleys, or the belt until the tractor is turned off. DO NOT adjust the belt tension until the mower is turned off. Refer to section 2-3 and 2-4 of the manual.

3-4 Unloading The Collection System

NOTE: To determine when the collection bags are full, follow the following steps:

- A. Stop the forward movement of the mower.
- B. Disengage the mower deck.
- C. Disengage the blower.
- D. Engage the parking brake.
- E. Once the parking brake has been engaged, then and only then, walk behind the mower and check the collection bags by lifting the plastic hood. Load in bags should not exceed the height of the installed bag.
- F. To release bags from frame, lift bag ring from tab on bagger frame, slide bag out and turn bags over to deposit clippings.
- G. Follow steps on page 14 to re-attach bags back to the bagger.

NOTE: Do not allow collection bags to become over-filled as potential damage may occur to your equipment. Also, be sure to clean the hood screen as needed.

SECTION IV

MAINTENANCE

4-1 Maintenance Checklist

Before each use:

1. Check blades and spindles to be sure that no foreign objects, such as wire or steel strapping bands, are wrapped around them.
2. Inspect blades for wear. Replace if necessary. If it is necessary to sharpen the blades, remove the blades from the spindles before sharpening. DO NOT sharpen blades while still attached to the mower.

3. Make sure all shields are in place and in good condition. Repair or replace any missing or damaged shields.
4. Perform lubrication per paragraph 4-2.
5. Listen for abnormal sounds, which might indicate loose parts, damaged bearings, or other damage. Correct any deficiency before continuing operation.
6. With the engine off, engage the blower assembly. Check the belt tension and inspect the pulley belt for cracks or tears.
7. Check for wear or deterioration of the upper or lower hoses. If there are any portions of the hose that have been torn or worn through, replace with genuine Bad Boy parts.

After Each Use:

1. Clean all debris from machine especially from the container, underneath the belt shields, and safety decals. Replace any missing or illegible decals.
2. Inspect the unit for worn or damaged components. Repair or replace before the next use. Any replacement component installed during repair shall include the component's current safety decal specified by the manufacturers to be affixed to the component.
3. Check belt for proper tension.

THE SERIAL NUMBER PLATE IS LOCATED ON THE TOP ASSEMBLY P#(A0551)

PECO	
OUTDOOR POWER EQUIPMENT	
Model Number	<input type="text"/>
Serial Number	<input type="text"/>
Arden, North Carolina 28704	

WRITE THE MODEL AND SERIAL NUMBER IN THE BOX ABOVE FOR FUTURE REFERENCE.

4-2 Lubrication

NOTE: Use only white lithium based grease for lubrication of the shaft on the blower assembly.

1. On initial use: Grease the fitting on the blower shaft.
2. Every 25 hours of use: Re-grease the grease fitting.
3. Every 200 hours of use: Check oil levels in gear box. Oil in gear box should cover the gears. If not, fill using an EP90 weight oil. 6oz. will fill the gear box from empty.

SECTION V PARTS AND SERVICE

5-1 Parts And Service Information

Bad Boy collection system owners should record the name and telephone number of their Service Center. Your Service Center will be happy to supply replacement parts, accessories, and do any service or repairs to your collection system. If for any reason your Service Center is unable to service your collection system or supply replacement parts, contact PECO and include the following information on the chart below.

Unit Model Number: _____

Unit Engine Size: _____

Unit Serial Number: _____

Date of purchase: ____/____/____

Dealer/Distributor Name: _____

Dealer's/Distributor's: _____ **State:** _____ **Zip:** _____

Phone Number: _____

Address: PECO Inc.

P.O. Box 1197

Arden, NC 28704

Phone #: (828) 684-1234 or Toll Free: (800) 438-5823

Email: peco@lawnvac.com

SAFETY DECALS

To promote safe operation, Bad Boy supplies safety decals on all products manufactured. Damage can occur to safety decals either through shipment, use or reconditioning. Contact your local Service Center for replacement decals.



Part #: R1054



Part #: R1057



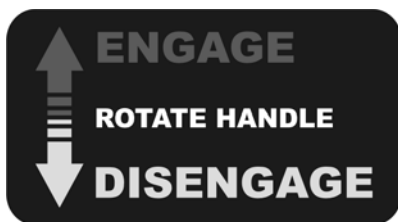
Part # R1051



Part #: R1050



Part #: R1065



Part #: R1083



Part #: R1052

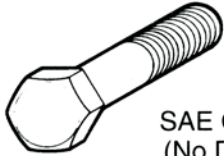


Part #: R4037

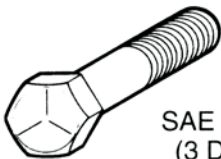
TORQUE SPECIFICATIONS

Proper torque for American fasteners used on Bad Boy equipment.
Recommended Torque in Foot Pounds (Newton Meters).*

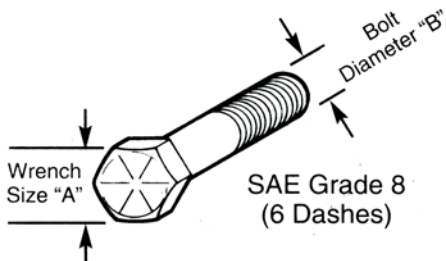
AMERICAN Bolt Head Markings



SAE Grade 2
(No Dashes)



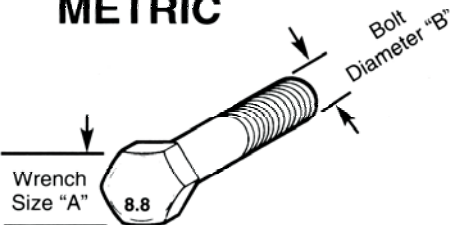
SAE Grade 5
(3 Dashes)



SAE Grade 8
(6 Dashes)

WRENCH SIZE (IN.) "A"	BOLT DIAMETER (IN.) "B" AND THREAD SIZE	SAE GRADE 2	SAE GRADE 5	SAE GRADE 8
7/16	1/4 - 20 UNC	6 (7)	8 (11)	12 (16)
7/16	1/4 - 28 UNF	6 (8)	10 (13)	14 (18)
1/2	5/16 - 18 UNC	11 (15)	17 (23)	25 (33)
1/2	5/16 - 24 UNF	13 (17)	19 (26)	27 (37)
9/16	3/8 - 16 UNC	20 (27)	31 (42)	44 (60)
9/16	3/8 - 24 UNF	23 (31)	35 (47)	49 (66)
5/8	7/16 - 14 UNC	32 (43)	49 (66)	70 (95)
5/8	7/16 - 20 UNF	36 (49)	55 (75)	78 (106)
3/4	1/2 - 13 UNC	49 (66)	76 (103)	106 (144)
3/4	1/2 - 20 UNF	55 (75)	85 (115)	120 (163)
7/8	9/16 - 12 UNC	70 (95)	109 (148)	153 (207)
7/8	9/16 - 18 UNF	79 (107)	122 (165)	172 (233)
15/16	5/8 - 11 UNC	97 (131)	150 (203)	212 (287)
15/16	5/8 - 18 UNF	110 (149)	170 (230)	240 (325)
1-1/8	3/4 - 10 UNC	144 (195)	266 (360)	376 (509)
1-1/8	3/4 - 16 UNF	192 (260)	297 (402)	420 (569)
1-5/16	7/8 - 9 UNC	166 (225)	430 (583)	606 (821)
1-5/16	7/8 - 14 UNF	184 (249)	474 (642)	668 (905)
1-1/2	1 - 8 UNC	250 (339)	644 (873)	909 (1232)
1-1/2	1 - 12 UNF	274 (371)	705 (955)	995 (1348)
1-1/2	1 - 14 UNF	280 (379)	721 (977)	1019 (1381)
1-11/16	1-1/8 - 7 UNC	354 (480)	795 (1077)	1288(1745)
1-11/16	1-1/8 - 12 UNF	397 (538)	890 (1206)	1444 (1957)
1-7/8	1-1/4 - 7 UNC	500 (678)	1120 (1518)	1817 (2462)
1-7/8	1-1/4 - 12 UNF	553 (749)	1241 (1682)	2013 (2728)
2-1/16	1-3/8 - 6 UNC	655 (887)	1470 (1992)	2382 (3228)
2-1/16	1-3/8 - 12 UNF	746 (1011)	1672 (2266)	2712 (3675)
2-1/4	1-1/2 - 6 UNC	870 (1179)	1950 (2642)	3161 (4283)
2-1/4	1-1/2 - 12 UNF	979 (1327)	2194 (2973)	3557 (4820)

METRIC



Numbers appearing on bolt heads indicate ASTM class.

Proper torque for metric fasteners used on Peco equipment.
Recommended torque in foot pounds (newton Meters).*

WRENCH SIZE (mm) "A"	BOLT DIA. (mm) "B"	ASTM 4.6	ASTM 8.8	ASTM 9.8	ASTM 10.9
8	5	1.8 (2.4)		5.1 (6.9)	6.5 (8.8)
10	6	3 (4)		8.7 (12)	11.1 (15)
13	8	7.3 (10)		21.1 (29)	27 (37)
16	10	14.5 (20)		42 (57)	53 (72)
18	12	25 (34)	74 (100)	73 (99)	93 (126)
21	14	40 (54)	118 (160)	116 (157)	148 (201)
24	16	62 (84)	167 (226)	181 (245)	230 (312)
30	20	122 (165)	325 (440)		449 (608)
33	22		443 (600)		611 (828)
36	24	211 (286)	563 (763)		778 (1054)
41	27		821 (1112)		1138 (1542)
46	30	418 (566)	1119 (1516)		1547 (2096)

*Use 75% of the specified torque value for plated fasteners. Use 85% of the specified torque values for lubricated fasteners.

NOTES

**Turn any Bad Boy Lawn Vac into a
total lawn grooming tool with the Bad
Boy Wand Kit!**

With your Bad Boy Wand Attachment you will double the ability of your Bad Boy Lawn Vac. Using the same powerful vacuum/blower that makes your Lawn Vac work so well, you will be able to get to all those hard-to-reach places where you needed a rake or broom before.

Contact Bad Boy Today!



Free Manuals Download Website

<http://myh66.com>

<http://usermanuals.us>

<http://www.somanuals.com>

<http://www.4manuals.cc>

<http://www.manual-lib.com>

<http://www.404manual.com>

<http://www.luxmanual.com>

<http://aubethermostatmanual.com>

Golf course search by state

<http://golfingnear.com>

Email search by domain

<http://emailbydomain.com>

Auto manuals search

<http://auto.somanuals.com>

TV manuals search

<http://tv.somanuals.com>