



**BARCO PROJECTION SYSTEMS**



**R9840170**

**R9840171**

**R9840176**

**Rugged Remote Control for ELM/SLM Projectors**

Due to constant research, the information in this manual is subject to change without notice.

Produced by BARCO NV, October 2001.  
All rights reserved.

Trademarks are the rights of their respective owners.

**BARCO n.v./Projection Systems**

Noordlaan 5

B-8520 Kuurne

Belgium

Tel : +32/56/368211

Fax : +32/56/351651

E-mail : [sales.bps@barco.com](mailto:sales.bps@barco.com)

Visite Barco at the web : <http://www.barco.com>

Printed in Belgium

# Contents

<b>Safety Instructions</b> .....	<b>4</b>
<i>Notice on Safety</i> .....	4
<i>Installation Instructions</i> .....	4
<i>Owner's Record</i> .....	4
<i>FEDERAL COMMUNICATION COMMISSION (FCC STATEMENT)</i> .....	5
<i>Safety Warning</i> .....	5
<i>On Safety</i> .....	5
<i>On installation</i> .....	6
<i>On servicing</i> .....	6
<i>On cleaning</i> .....	7
<i>On repacking</i> .....	7
<b>General information</b> .....	<b>8</b>
<i>Rugged Remote Control</i> .....	8
<i>Upgrade Kits</i> .....	8
<i>Accessories</i> .....	8
<b>Contents</b> .....	<b>9</b>
<i>Content of the rugged Remote Control Case</i> .....	9
<b>Description</b> .....	<b>10</b>
<i>Application</i> .....	10
<i>Software Compatibility</i> .....	10
<b>Specifications</b> .....	<b>10</b>
<b>Installation setup</b> .....	<b>14</b>
<i>Power connection</i> .....	14
<i>Charging the batteries</i> .....	16
<i>Changing the batteries</i> .....	17
<b>Configuration setup</b> .....	<b>18</b>
<i>Remote Mode</i> .....	18
<i>Lamp Read Mode</i> .....	19
<i>RS232/422 (Software Upgrade)</i> .....	20
<i>RF Mode</i> .....	22
<b>Menu Set-up</b> .....	<b>24</b>
<i>Remark concerning display images</i> .....	24
<i>Display Layout</i> .....	24
<i>General Menu Structure</i> .....	24
<i>Internal Menu</i> .....	25
<i>Installation Settings</i> .....	25
<i>Lamp Mode Menu</i> .....	32
<i>Remote Mode Menu</i> .....	33
<b>Additional Information</b> .....	<b>34</b>
<i>Messages</i> .....	34
<b>Mechanical Info Rugged Remote Control</b> .....	<b>35</b>
<i>Dimensions</i> .....	35

## Safety Instructions

---

### ***Notice on Safety***

---

This equipment is built in accordance with the requirements of the international safety standards EN60950, UL 1950 and CSA C22.2 No.950, which are the safety standards of information technology equipment including electrical business equipment.

These safety standards impose important requirements on the use of safety critical components, materials and isolation, in order to protect the user or operator against risk of electric shock and energy hazard, and having access to live parts.

Safety standards also impose limits to the internal and external temperature rises, radiation levels, mechanical stability and strength, enclosure construction and protection against the risk of fire.

Simulated single fault condition testing ensures the safety of the equipment to the user even when the equipment's normal operation fails.

### ***Installation Instructions***

---

Before operating this equipment please read this manual thoroughly, and retain it for future reference.

Installation and preliminary adjustments should be performed by qualified BARCO personnel or by authorized service dealers.

### ***Owner's Record***

---

The part number and serial number are located at the bottom side of the Interface. Record these numbers in the spaces provided below. Refer to them whenever you call upon your dealer regarding this product.

PART NUMBER : \_ \_ \_ \_ SER. NUMBER : \_ \_ \_ \_ \_

DEALER : \_ \_ \_ \_ \_

**FEDERAL COMMUNICATION COMMISSION (FCC STATEMENT)**

This equipment has been tested and found to comply with the limits of a class A digital device, pursuant to Part 15 of the FCC Rules. These limits are designed to provide reasonable protection against harmful interference when the equipment is operated in a commercial environment. This equipment generates, uses and can radiate radio frequency energy and, if not installed and used in accordance with the instruction manual, may cause harmful interference to radio communications. Operation of this equipment in a residential area is likely to cause harmful interference in which case the user will be required to correct the interference at his own expense.

Note :

The use of shielded cables is required to comply within the limits of Part 15 of FCC rules and EN55022.

- \* All the safety and operating instructions should be read before using this unit.
- \* The safety and operating instructions manual should be retained for future reference.
- \* All warnings on the equipment and in the documentation manuals should be adhered to.
- \* All instructions for operating and use of this equipment must be followed precisely.

**Safety Warning**

**TO PREVENT FIRE OR ELECTRICAL SHOCK HAZARD, DO NOT EXPOSE THIS EQUIPMENT TO RAIN OR MOISTURE**

**On Safety**

1. This product should be operated from an AC power source.

Operating AC power voltage :

*100-240VAC 0.4A 47-63 Hz*

2. All equipment in the system is equipped with a 2-wire plug.  
If you are unable to insert the plug into the outlet, contact your electrician to replace your outlet.

A. EU plug



B. AUS plug



C. UK plug



D. US plug



3. Do not allow anything to rest on the power cord. Do not locate this product where persons will walk on the cord.  
To disconnect the cord, pull it out by the plug. Never pull the cord itself.
4. If an extension cord is used with this product, make sure that the total of the ampere ratings on the products plugged into the extension cord does not exceed the extension cord ampere rating.
5. Never push objects of any kind into this product through cabinet slots as they may touch dangerous voltage points or short out parts that could result in a risk of fire or electrical shock.

Do not exert extreme forces (shocks) directly on the window of the LCD display.

Never spill liquid of any kind on the product. Should any liquid or solid object fall into the cabinet, unplug the set and have it checked by qualified service personnel before resuming operations.

6. Lightning - For added protection for this product during a lightning storm, or when it is left unattended and unused for long periods of time, unplug it from the wall outlet. This will prevent damage to the apparatus due to lightning and AC power-line surges.

### ***On installation***

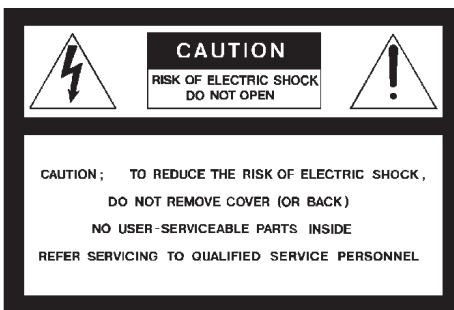
---

For a safe installation, refer to setup-requirements doc/installation doc.

### ***On servicing***

---

Do not attempt to service this product yourself, as opening or removing covers may expose you to dangerous voltage potentials and risk of electric shock!



### ***Safety indication on the product***

---

The lightning flash with an arrowhead within a triangle is intended to tell the user that parts inside this product may cause a risk of electrical shock to persons.

The exclamation point within a triangle is intended to tell the user that important operating and/or servicing instructions are included in the technical documentation for this equipment.

Refer all servicing to qualified service personnel.

**Unplug this product from the wall outlet and refer servicing to qualified service personnel under the following conditions:**

1. When the power cord or plug is damaged or frayed.
2. If liquid has been spilled into the equipment.
3. If the product has been exposed to rain or water.
4. If the product does not operate normally when the operating instructions are followed.  
**Note** : Adjust only those controls that are covered by the operating instructions since improper adjustment of the other controls may result in damage and will often require extensive work by a qualified technician to restore the product to normal operation.
5. If the product has been dropped or the cabinet has been damaged.
6. If the product exhibits a distinct change in performance, indicating a need for service.

**Replacement parts** - When replacement parts are required, be sure the service technician has used original BARCO replacement parts or authorized replacement parts which have the same characteristics as the original part. Unauthorized substitutions may result in degraded performance and reliability, fire, electric shock or other hazards. Unauthorized substitutions may void warranty.

**Safety check** - Upon completion of any service or repairs to this Interface, ask the service technician to perform safety checks to determine that the product is in proper operating condition.

### ***On cleaning***

---

Unplug this product from the wall outlet before cleaning.

To keep the cabinet looking brand-new, periodically clean it with a soft cloth. Stubborn stains may be removed with a cloth lightly dampened with mild detergent solution. Never use strong solvents, such as thinner or benzine, or abrasive cleaners, since these will damage the cabinet.

### ***On repacking***

---

Save the original carton and packing material; they will come in handy if you ever have to ship your equipment. For maximum protection, repack your set as it was originally packed at the factory.

### ***Note***

---

#### ***Definition***

Service personnel: Persons having appropriate training and experience necessary to be aware of hazards to which they are exposed in performing a task and of measures to minimize the danger to themselves or other persons

## General Information

---

### ***Rugged Remote Control***

---

This Manual regroups several types of Rugged Remote Control Kits, depending on the type of rugged remote considered some information in this manual may become superfluous.

R9840170: Wired Rugged Remote

R9840171: Wireless Rugged Remote

R9840176: Wireless Rugged Remote starters Kit (Wireless remote + single channel receiver)

### ***Upgrade Kits***

---

Upgrade to wireless RC: R9840175

Installation Manual Upgrade to Wireless RC: R5976350

### ***Accessories***

---

RCU Base Single (Wireless base): R9840172

Installation Manual RCU Base Single: R5976348

19" rack mount (for 2 remotes): R9840174

Installation Manual RCU Rack: R5976348



## Contents

### Contents of the Rugged Remote Control Case

The Rugged Remote Control Case\* contains following items:

1. Boxkit Magik: R593564
2. Boxkit fit rugged ctr puf: R821134
3. Rugged Remote Control : R763666
4. Battery charger: B557208 + EU Plug  
supplementary plugs  
US: B5572102  
UK: B5572101  
AUS: B5572104
5. SUBD9 Male/Male adaptor R821585
6. Lamp comms cable: Z34980143
7. Shoulder Strap : B400559
8. Installation Manual : R5976251



\* In case of the R9840176 there is also a separate package containing the Wireless Base

## Description

---

### Application

---

The Barco Rugged Remote Control enables the control of the Barco ELM and SLM series DLP Projectors and the Barco 6000 series LCD Projectors.

The Rugged Remote Control allows following functions:

**Remote Mode:**The Remote Control sends actions to and reads information from the projector

**Lamp Read Mode:**The Remote Control reads information stored in the lamp information Module.

### Software compatibility

---

G5 SLM: Software version V1.05 and higher

R6 SLM: All Software versions

G10 ELM: if fitted with controller R7637445 (UN G10ELM CPU V2)

R12 ELM: if fitted with controller R7637446 (UN R12ELM CPU V2)

R6\* : Software version V1.11 and higher

G63/G64: Software version V1.31

G65: Software version V1.32

## Specifications

---

### Weight

---

weight: 1.3 kg (2.8 lbs)

### Communication range

---

wired: up to 300m

wireless: up to 100m

### Batteries

---

Supplied: 6 x rechargeable NiCd AA batteries.

Input range Rugged Remote Control : 15-30V DC

Input socket located on the right side of the Remote Control (A: Image 1)

### CAUTION

***Risk of explosion if the batteries are replaced by an incorrect type  
Dispose of used batteries according to the instructions***



Image 1

## Charger

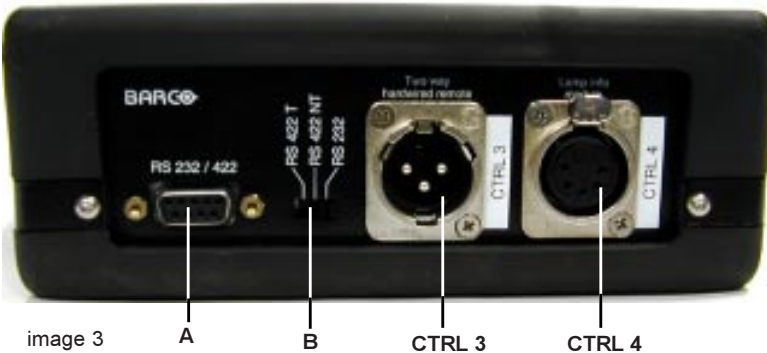
Input range : 100-240V (autoranging)

47-63Hz

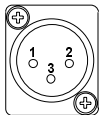
400 mA

Output: 15V DC/1A

### Input/Output Signals



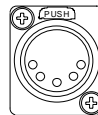
Two Way Hardwired Remote (CTRL 3)



pin assignment:

- 1: GND
- 2: DATA +
- 3: DATA -

Lamp Info Module (CTRL 4)



Fixed rate: 57600 baud

Cable type: XLR connection, twisted pair



Cable type: supplied



### Serial interface RS 232/422

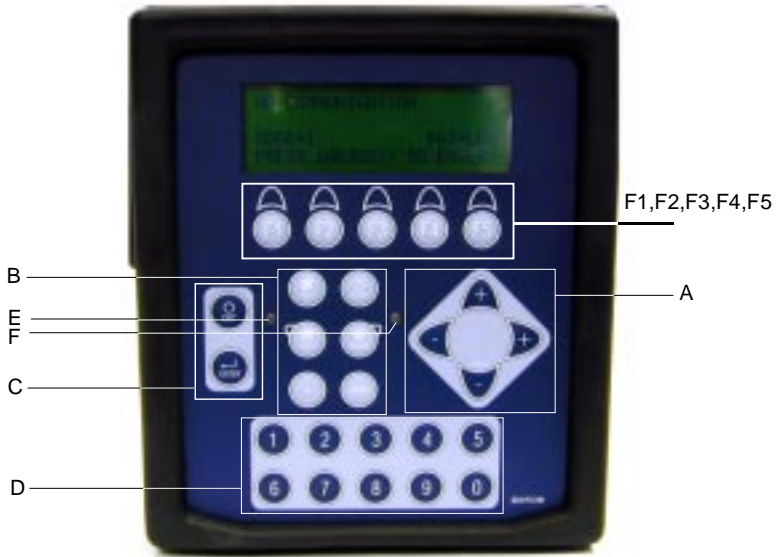
Serial interface A (image 3)



Selectable modes :

- RS 422 T: RS422 terminated.
- RS 422 NT: RS422 Not Terminated
- RS 232

Termination resistor = 120 Ohms

**Keypad**



Key	Name	Function (when not specified : idem RCU)
F1,F2,F3,F4,F5	Function Keys	Function keys (determined by the projector)
A	Browse Keys	 up/down  left/right
B	Command Keys	idem RCU
C	Validation keys	EXIT ENTER
D	Numeric keys	
E F	LED LED	TEXT ON indicaton (Red) PAUSE indication (Yellow)

---

**Wireless Base**

---

Weight: 0.3 kg (0.6 lbs)

Communication port A

Serial interface C

Selectable modes with switch B :

- RS 422 T: RS422 terminated.
- RS 422 NT: RS422 Not Terminated
- RS 232

In order to set up a communication link the mode setting on the base must match the setting within the projector

Termination resistor = 120 Ohms

LED D:

when lit: power present

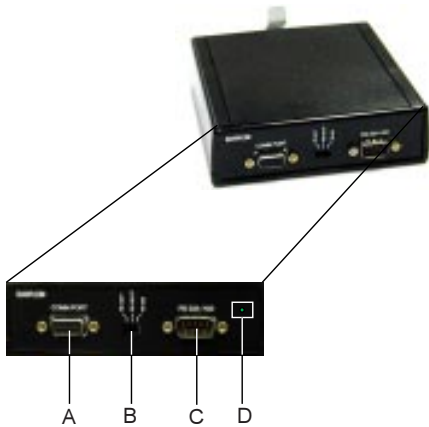


image 1

## Installation setup

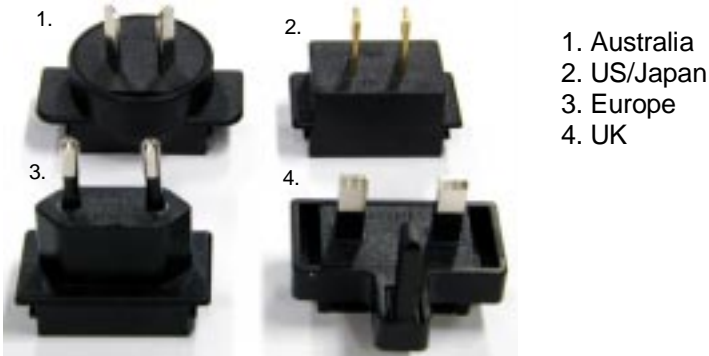
---

### Power Connections

---

#### The charger

The charger can be fitted with the 4 supplied power plugs:



#### Changing the plug

1. Pull the plug to be changed upwards until it is completely removed from the charger (Image 1)
2. Place the plug to be mounted on the charger and guide it downwards by using the guiding slots (Image 1 & 2)
3. Push the plug downwards until it clicks and is locked into the charger (Image 3)
4. Check if the plug is well locked, it must not stick out of the charger (Image 4).

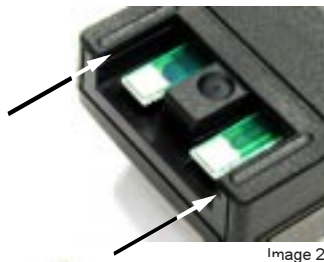


Image 3

Image 4

---

### Power ON switch

---

The ON/OFF switch A is located on the right side of the Rugged Remote Control near the DC power plug (image 3).

Remark: The Remote Control can also be supplied with the charger permanently connected.



image 3

---

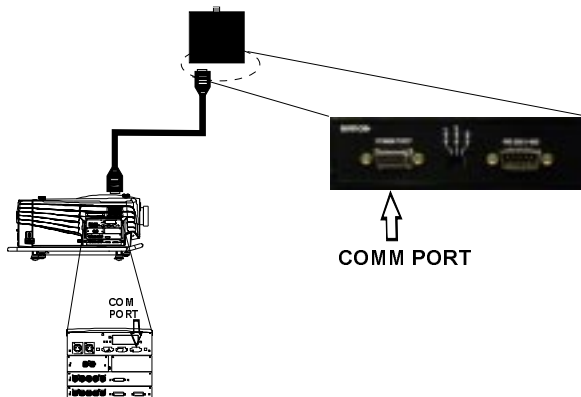
### Supplying the Wireless Base

---

The wireless base is supplied via the projector.

The connection needs a standard serial cable linking the 'COMM PORT' of the projector to the 'COMM PORT' of the Wireless Base.

The supplied voltage depends on the type of projector.



### Charging the batteries

---

The batteries are trickle charged whenever the XLR connection with a powered projector is made or when the charger is connected.

Charging is required whenever the batteries are low, the status (ACT/LOW) of the batteries can be seen on the main menu (menu 1) or in the diagnosis menu (see " Installation Settings ").

remark: The delivered batteries are not charged.

The batteries may only be used after being charged, it takes about 30 hours to fully charge the batteries.

NO COMMUNICATION

ADDR=1                    **BAT=LOW**

PRESS <ADJUST> TO ENTER

menu 1

There are two possibilities to charge the batteries:

- To charge the batteries with the supplied charger follow next procedure:

1. Use the supplied charger, with the right plug according the local outlet (see "Power Connections" to adapt the plug), to connect the charger to the wall outlet .
2. Plug the female power connector of the loader into the male connector at the right side of the remote control.

- The batteries can also be charged via the XLR connection:

This is done whenever the projector is in the standby or ON status, independently of the Remote Control's status (ON or OFF).

### Power Save Mode

When working on batteries (BAT=ACT) the power save mode is enabled if there is no key hit within 2 minutes, following message is then displayed (menu 2).

NO UPDATE

**POWER SAVE MODE**

PRESS ANY KEY TO EXIT

menu 2

The Remote Control is automatically switched off after being approximately 10 minutes in the Power Save Mode.

Use the ON/OFF switch to reset (OFF-ON) the Remote Control.



## Changing the batteries

The expected life of the batteries is about approximately 1000 charge and discharge cycles. When replacing the batteries, all batteries should be replaced at the same time.

### CAUTION

***Risk of explosion if the batteries are replaced by an incorrect type  
Dispose of used batteries according to the instructions***

To change the batteries follow next procedure:

1. Turn the remote off and remove all the cables
2. Turn the locking screw counterclockwise to free the metallic cover (Image 1)
3. Open the metallic cover (Image 2)
4. Remove the 6 batteries
5. Insert the new batteries correctly in the battery compartment, be sure to install the batteries in the proper polarity and not to short battery terminals together.
6. Insure that switch A (Image 3) is in the 'CHARGE' position (left position)
7. Close the metallic cover
8. Turn the locking screw clockwise to lock the metallic cover



image 1

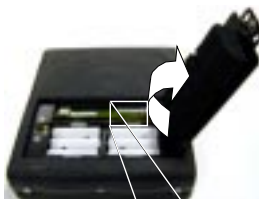


image 2

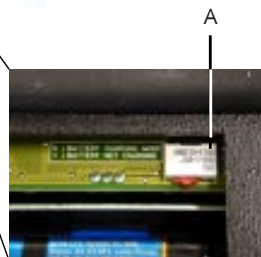


image 3

## Configuration Setup

---

### Remote Mode

---

#### Performing Remote Control of the projector

The connection of the Rugged Remote Control to a projector uses a standard twisted pair cable with XLR connectors at each extremity (not supplied).

The baudrate is fixed at 57600 baud.

Image 1 gives an example of a Remote Control connected to a G5 SLM Projector.

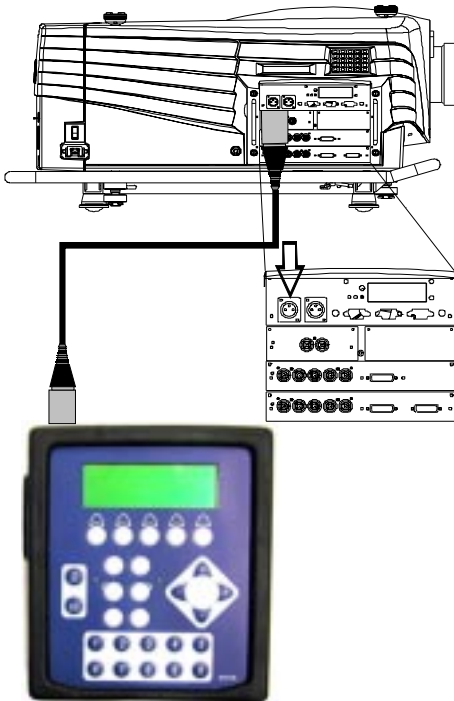


Image 1

#### How to Connect

1. Plug the cable in the Remote connector labeled **CTRL3 "Two way hardwired remote"**.
2. Plug the other extremity in the projector connector with the same label.

Remark: In case of a 6000 series LCD projector XLR remote control is not implemented.  
Refer to "RS232RS422 communication" (page 20) to control the projector.

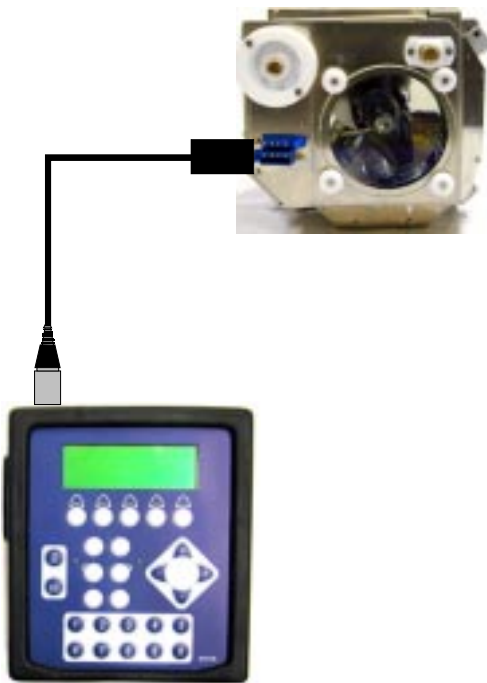
## **Lamp Read Mode**

---

### **Reading the Lamp**

The Lamp Read Mode requires a connection between the lamp unit and the Remote Control using the supplied lamp cable (Z34980143).

Reading the lamp is only possible for BARCO ELM and SLM projectors.



### **How to Connect**

1. Plug the cable in the remote control connector labeled **CTRL4 "Lamp Info Module"**.
2. Plug the other extremity in the Lamp Unit connector.

### **WARNING**

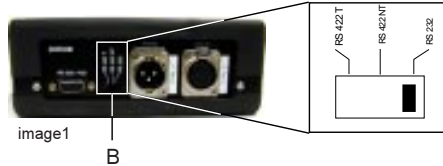
*To avoid burns always let cool down the lamp before handling it .*

### RS232/422 Communication

The Remote Control allows RS232/422 serial mode communication with the projector. This is used for software upgrade of the Rugged Remote Control or to perform a remote control of the projector (instead of using the CTRL3 Two way hardwired remote).

Different baudrate(baud)settings:

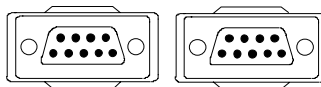
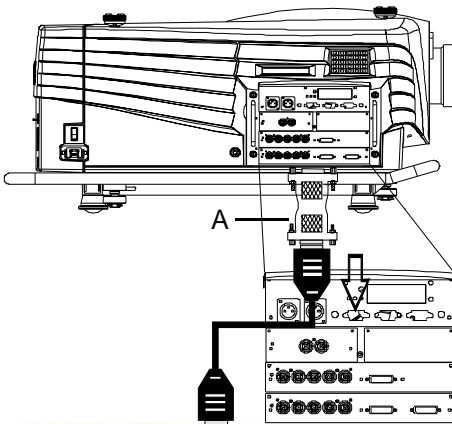
- 9600
- 19200
- 38400
- 57600
- 115200



See 'Menu Setup' for setting procedure.  
To select the different serial modes use switch B (image 1).

### RS232/422 remote control

The connection needs the supplied male/male SUBD9 adapter A (image 2) to be placed between the Remote Control and the projector



pin ass. adapter A :

- 1 → 7,8
- 2 → 3
- 3 → 2
- 4 → 6
- 6 → 4
- 5 → 5
- 7 → 1
- 8 → 1
- GND → GND

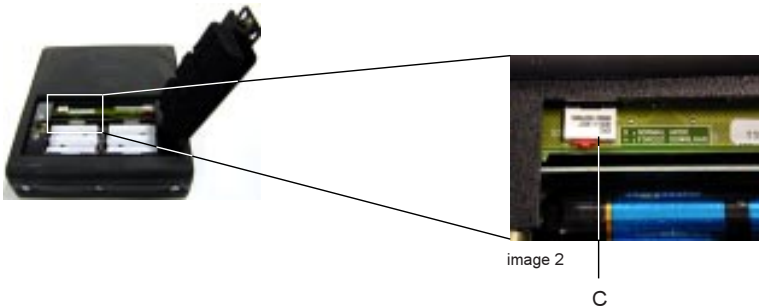
image 2

## Software download

The RS232/422 port is always enabled, this makes software upgrading always possible.

For software download follow next procedure:

- 1 Turn OFF the Remote Control with the main switch
- 2 Open the battery compartment (see procedure page 14 )
- 3 Put switch C (image 2) located in the battery compartment in the 'DOWNLOAD' position (right position) to enable downloading via the RS232 port
- 4 Connect the Remote with your PC using a standard serial cable
- 5 Turn the Remote on (main switch) and perform the download
- 6 Put switch C back in the 'Normal' position and close the battery compartment
- 7 Reset (OFF - ON with main switch) the remote control



## RF Mode

In the RF Mode the Wireless Remote Control makes it possible to perform an RF communication with the projector through the Wireless base.

This is only possible with the Wireless Rugged Remote Control ('General Information' page 8).

### How to connect

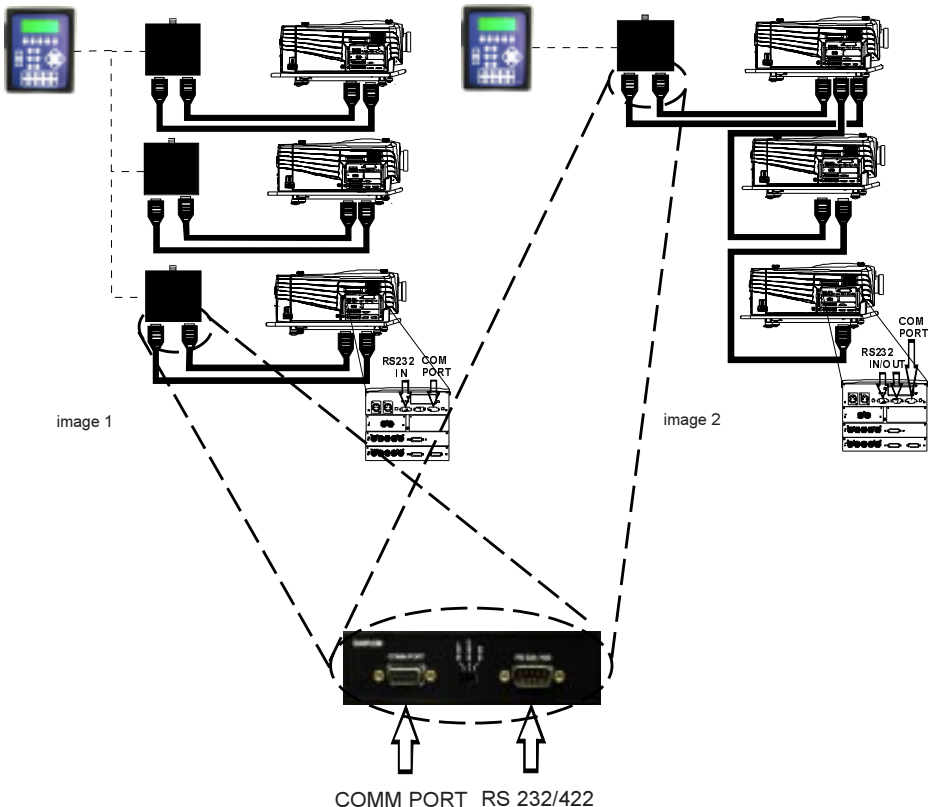
The connection between the Wireless base and the projector uses a standard serial cable.

The Wireless Rugged Remote can communicate with one or more projectors, this can be done in two ways:

- One Remote communicates with different projectors each of them using a base (image 1)
- The Remote communicates with different projectors connected in a loop through configuration, this configuration uses one base (image 2).

The RF link runs at a fixed baudrate of 57600.

The supply of the base is done through its 'COMM PORT' using a standard serial cable.



To perform an RF communication following parameters have to be set (see page 29):

**RF address**

This is a selection of an RF channel for the wireless link.

Any number between 0 and 63 may be chosen.

In the case of multiple wireless links (Image 1 on previous page) each wireless base must have its own RF address.

Do not use different receivers with the same address.

**Frequency band**

Sets the frequency band according to the regulations of the country you are working in.

**US/EUROPE:** Limits the frequency band according to FCC and ETSI regulations.

**FRANCE:** Limits the frequency band according to French regulations.

**SPAIN:** Limits the frequency band according to Spanish regulations.

**JAPAN:** Limits the frequency band according to Japanese regulations.

**CANADA:** Limits the frequency band according to Canadian regulations.

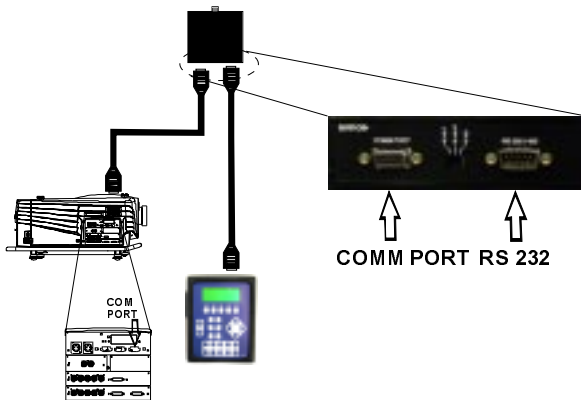
**Synchronize base**

Downloads the RF address and the Frequency band into the wireless base.

The RF address and the frequency band of the remote and the wireless base have to be the same in order to have a communication link.

To perform the download the remote has to be connected to the wireless base using a standard serial cable.

The download is performed through the RS232 communication port.



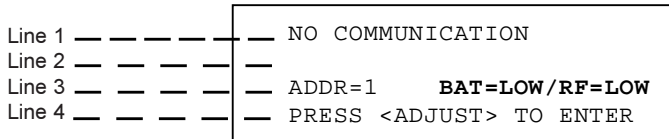
# Menu Setup

## Remark concerning display images

The bold items do not appear **bold** on the screen. This is only done to grasp the attention of the reader.

## Display layout

The two upper lines are a copy of the local LCD of the projector when in Remote Mode or the contents of the Lamp information module when in Lamp Read Mode. In case of a 6000 series LCD projector these two lines are not displayed.



The third line is in most case a status line, showing all kinds of status information of the Remote Control.

Different status messages:

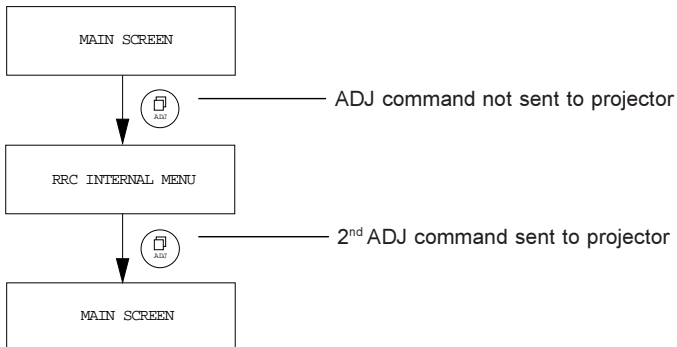
- ADDR=            displays the address of the remote (for example 1).
- BAT=ACT        the remote is working on batteries, there is no supply via external power source.
- BAT=LOW        the battery is running low (see "<Installation Setup>" for charging procedure)
- RF=ACT         the remote is working with wireless communication.
- RF=LOW        the remote is working with wireless communication but has not established a good communication link.

INTERNAL TEMP TOO HIGH

The third line may also display the actual Internal Menu main title.  
The fourth line is a command line, showing possible key commands.  
It also displays the item of the Internal menu.

## General Menu structure

The Rugged Remote Control's Internal Menu is accessible by pressing the <ADJ> button. Pressing twice <ADJ> gives access to the projector's Menu or exits the Menu.

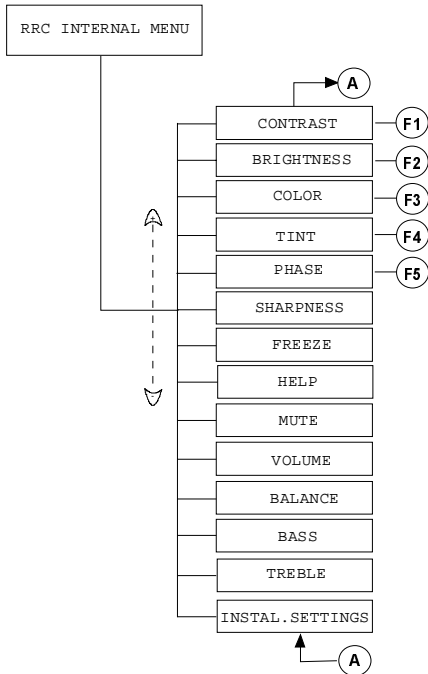


Flowchart 1



## Internal Menu

The Internal Menu offers some shortcuts to preprogrammed parameters.

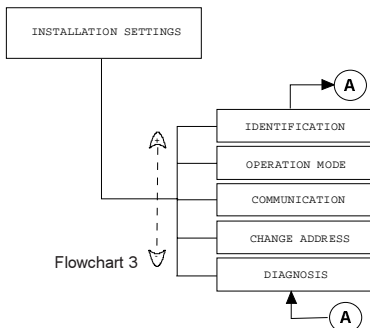


Flowchart 2

In the internal Menu the function keys are preprogrammed with the 5 first items (Flowchart 2).

## Installation Settings

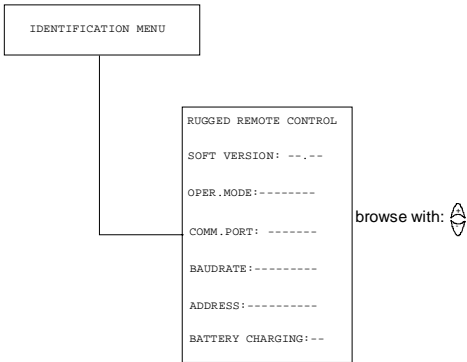
flowchart 3 gives an overview of the parameters within the 'Installation Settings' menu.



Flowchart 3

Remark: All the menus are of the closed loop type.

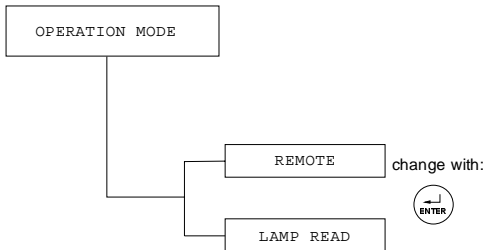
### Identification menu



The identification Menu gives an overview of some parameters within the 'Installation Settings' Menu.

The parameters in the 'Identification' Menu are Read Only.

### Operation Mode



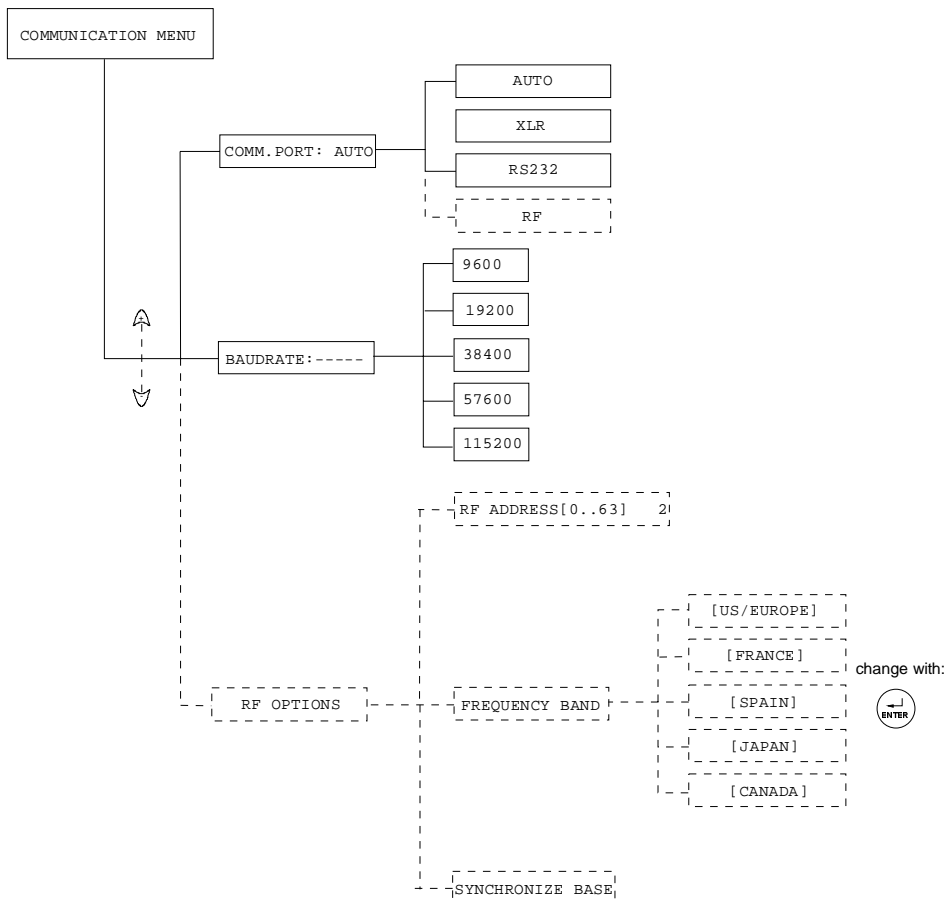
The Operation Mode allows to switch between the two Modes:

- Remote Mode
- Lamp Read Mode

See Lamp Mode Menu (p.23) and Remote Mode Menu (p.24) for further detail.

### Communication Menu

Flowchart 1 gives an overview of the structure of the Communication Menu




*\*Dashed Menu items are only visible in presence of the Wireless Remote Control*

Flowchart 1

### Selecting the communication port

To enable one of the communication ports handle as follows:

1. Browse with  when in the 'Communication Menu'.
2. Select 'comm.port' and confirm with <ENTER>.
3. Select with <ENTER> (Menu 1).
4. Exit the menu with <EXIT> or <ADJ>.

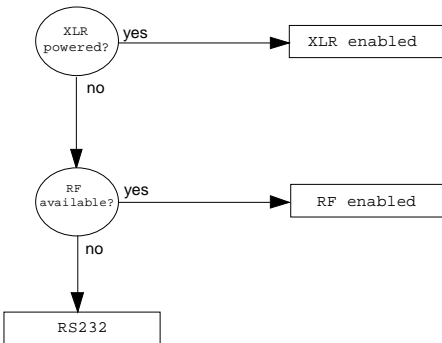
```
NO COMMUNICATION

COMMUNICATION
COM.PORT: [AUTO]
```

Menu 1


When selecting 'AUTO' following priority is set :

Auto enables the XLR port if it is powered.  
if not, RF is enabled else RS232/422 is enabled (see flowchart 1)



Flowchart 1

### Changing the baudrate

1. Browse with  when in the 'Communication Menu'.
2. Select 'Baudrate' and Confirm with < ENTER>.
3. Select one of the different baudrates with < ENTER> (Menu 1).
4. Exit the menu with <EXIT> or <ADJ>.

```
NO COMMUNICATION

COMMUNICATION
BAUDRATE [57600]
```


Menu 1

Remark: When XLR or RF are enabled, baudrate is fixed at 57600.

## RF Options

The RF Options are only available in presence of the Wireless Remote Control version.

## RF Options: Changing the RF address

1. Browse with  when in the 'RF Options Menu'
2. Select 'RF Address' (Menu 1)
3. Press <ENTER>
4. Use the numeric or the browse keys to change the value of the address
5. Press <ENTER> to confirm
6. The remote displays following message during a few seconds (Menu 2 )
7. Exit the menu with <EXIT> or <ADJ>.

```

NO COMMUNICATION

RF OPTIONS
RF ADDRESS [0..63]    2
  
```

Menu 1


```

SETTING UP COMMUNICATION

RF OPTIONS
RF ADDRESS [0..63]    3
  
```

Menu 2

## RF Options: Changing the Frequency band

1. Browse with  when in the 'RF Options Menu'
2. Select 'Freq. band' (Menu 3)
3. Press <ENTER> to browse
4. The remote displays following message during a few seconds (Menu 4 )
5. Exit the menu with <EXIT> or <ADJ>

```

NO COMMUNICATION

RF OPTIONS
FREQ. BAND [US/EUROPE]
  
```

Menu 3

```


SETTING UP COMMUNICATION

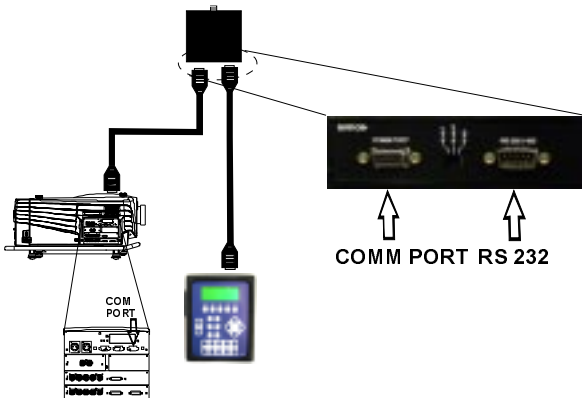
RF OPTIONS
FREQ. BAND [JAPAN]
  
```

Menu 4

RF Options: Synchronize base

The wireless base and the remote have to be synchronized (same RF address and freq. band )  
To synchronize the base follow next procedure:

1. Connect the 'COMM PORT' of the base to the 'COMM PORT' of the projector using a standard cable (image 1)
2. Browse with  when in the 'RF Options Menu'
3. Select 'Synchronize base' (Menu 1)
4. Press <ENTER>, the remote displays following message (menu 2)
5. Connect the RS232 port of the wireless base to the RS232 port of the remote using a standard serial cable (image 1)
6. Press <ENTER>, the remote displays following message during a few seconds (menu 3)
7. Depending on whether the operation succeeded or not one of following messages may be displayed (menu 4,5)
8. Exit the menu with <EXIT>



NO COMMUNICATION  
  
RF OPTIONS  
SYNCHRONIZE BASE

Menu 1

NO UPDATE  
  
CONNECT REMOTE TO BASE  
AND PRESS <ENTER>

Menu 2

NO UPDATE  
  
SYNCHRONIZING BASE

Menu 3

NO UPDATE  
  
SYNCHRONIZATION FAILED  
PRESS <ENTER> TO RETRY


Menu 4

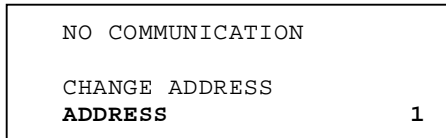
NO UPDATE  
  
BASE SYNCHRONISED  
PRESS <EXIT> TO CONTINUE

Menu 5

## Change Address

### How to change the address:

1. Select 'Change address' in 'Installation settings' (menu 1).
2. Press <ENTER>
3. Use numeric keys or  to fill in the new address ( number between 1 and 255 )
4. Confirm with <ENTER>

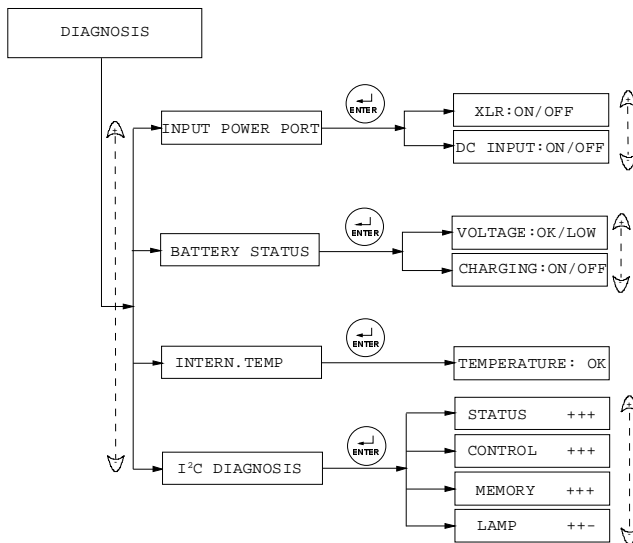


menu 1

*Shortcut :* Use the <ADDR> key for direct access to the address menu. (<ADDR> displays also the projector's address)



## Diagnosis

Flowchart 1 gives an overview of the read only parameters within the 'Diagnosis menu'.



### Lamp Mode Menu

#### Access to the Lamp Read Mode Menu

1. Press <ADJ> to enter the Internal Menu (menu 1). 
2. Select INSTALLATION SETTINGS by browsing with 
3. Select OPERATION MODE by pressing <ENTER> (menu 2).
4. Select the Lamp Read Mode by pressing <ENTER>, menu 4 is displayed.
5. Exit the Internal Menu by pressing <EXIT> or <ADJ>.

```
NO COMMUNICATION

INSTALLATION SETTINGS
CONT BRIG COLO TINT PHAS
```

menu 1

```
NO COMMUNICATION

INSTALLATION SETTINGS
OPERATION MODE
```

menu 2

```
NO COMMUNICATION

OPERATION MODE
OPER. MODE [REMOTE]
```

menu 3

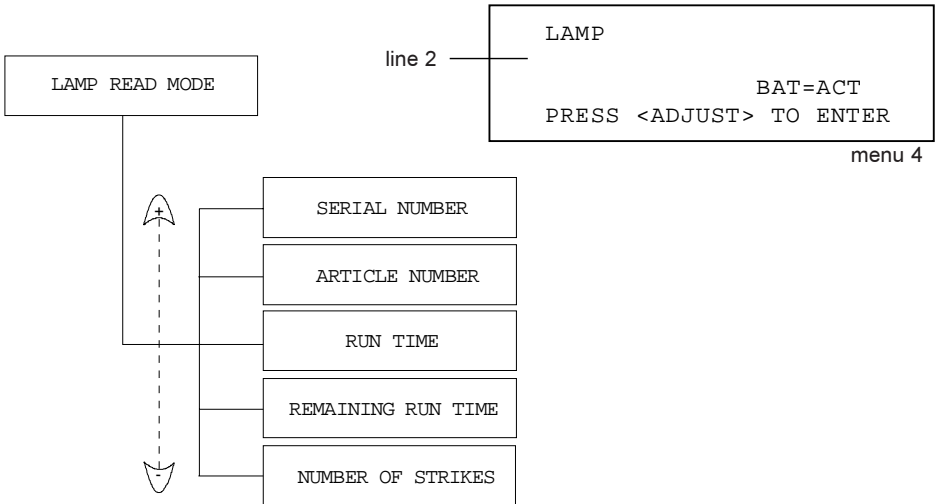
```
LAMP
SERIAL NO: -----
OPERATION MODE
OPER. MODE [LAMP READ]
```

menu 4

#### Browsing the Lamp Read Mode Menu

To browse the Lamp read Mode Menu when in menu 4 follow next procedure:

1. Browse the different parameters using the  buttons (see flowchart 1), the parameter is shown on line 2 (menu 4)




flowchart 1



## Remote Mode Menu

### Access to the Remote Mode

1. Press <ADJ> to enter the Internal Menu (menu 1).
2. Select *INSTALLATION SETTINGS* by browsing with .
3. Select *OPERATION MODE* by pressing <ENTER>.
4. Select the Remote Mode by pressing <ENTER>, menu is displayed.
5. Exit the Internal Menu with <EXIT> or <ADJ>.

```

NO COMMUNICATION

INSTALLATION SETTINGS
CONT BRIG COLO TINT PHAS
  
```

menu 1

```

NO COMMUNICATION

INSTALLATION SETTINGS
OPERATION MODE
  
```

menu 2

```

NO COMMUNICATION

OPERATION MODE
OPER. MODE [REMOTE]
  
```

menu 3

*Remark: The procedure above is only necessary when changing from Lamp read mode to Remote Mode.*

*When powered up the remote control always displays the last selected mode.*

### Browsing in Remote Mode

To browse the different parameters in Remote Mode use the Rugged Remote Control in the same way as the standard RCU.

In the remote mode the 2 upper lines are a copy of the projector's display example using a SLM G5 projector (Menu 4) :

```

SLM G5 PERFORMER
STANDBY
COMMUNICATION
COM. PORT [XLR]
  
```

Menu 4

Copy of projector display

## Additional Information

---

### Messages

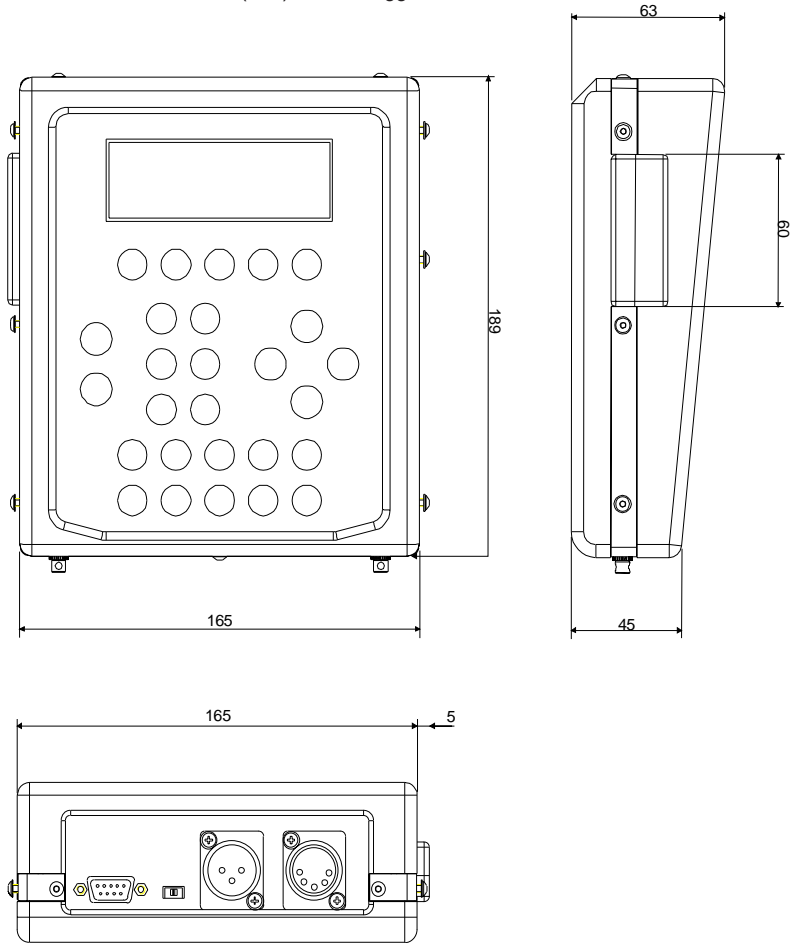
---

MESSAGES	POSSIBLE CAUSES	TO CHECK
NO COMMUNICATION	-hardware -parameter mismatch	-connections -address match proj/RRC -baudrate match proj/RRC
NO DISPLAY DATA AVAILABLE	-No display on projector (6*00 series projectors)	-
RF=LOW	-parameter mismatch -no supply	-RF addr match proj/RRC -Freq band match proj/RRC perform synchronization if necessary (page 30 ) -connection (com port)
NO UPDATE	during synchronisation update (polling) is inter- rupted	-

## Mechanical Information

### Dimensions

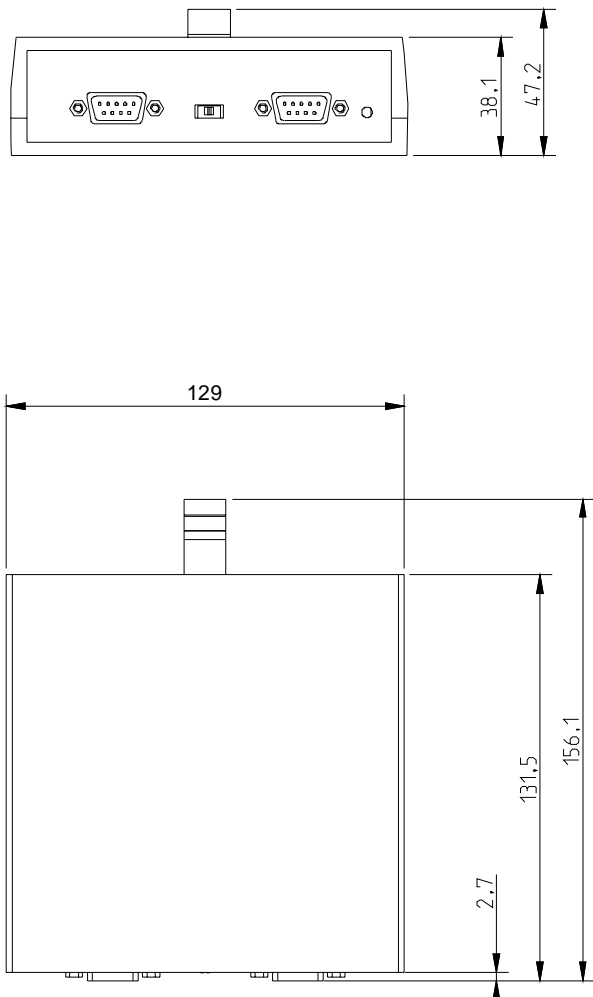
The external dimensions (mm) of the Rugged Remote Control are illustrated in drawing below:



## Mechanical Information

---

The external dimensions (mm) of the Wireless base are illustrated in drawing below:



**BARCO NV / Projection Systems**  
Noordlaan 5 B-8520 Kuurne  
Belgium

Printed in Belgium

## Free Manuals Download Website

<http://myh66.com>

<http://usermanuals.us>

<http://www.somanuals.com>

<http://www.4manuals.cc>

<http://www.manual-lib.com>

<http://www.404manual.com>

<http://www.luxmanual.com>

<http://aubethermostatmanual.com>

Golf course search by state

<http://golfingnear.com>

Email search by domain

<http://emailbydomain.com>

Auto manuals search

<http://auto.somanuals.com>

TV manuals search

<http://tv.somanuals.com>