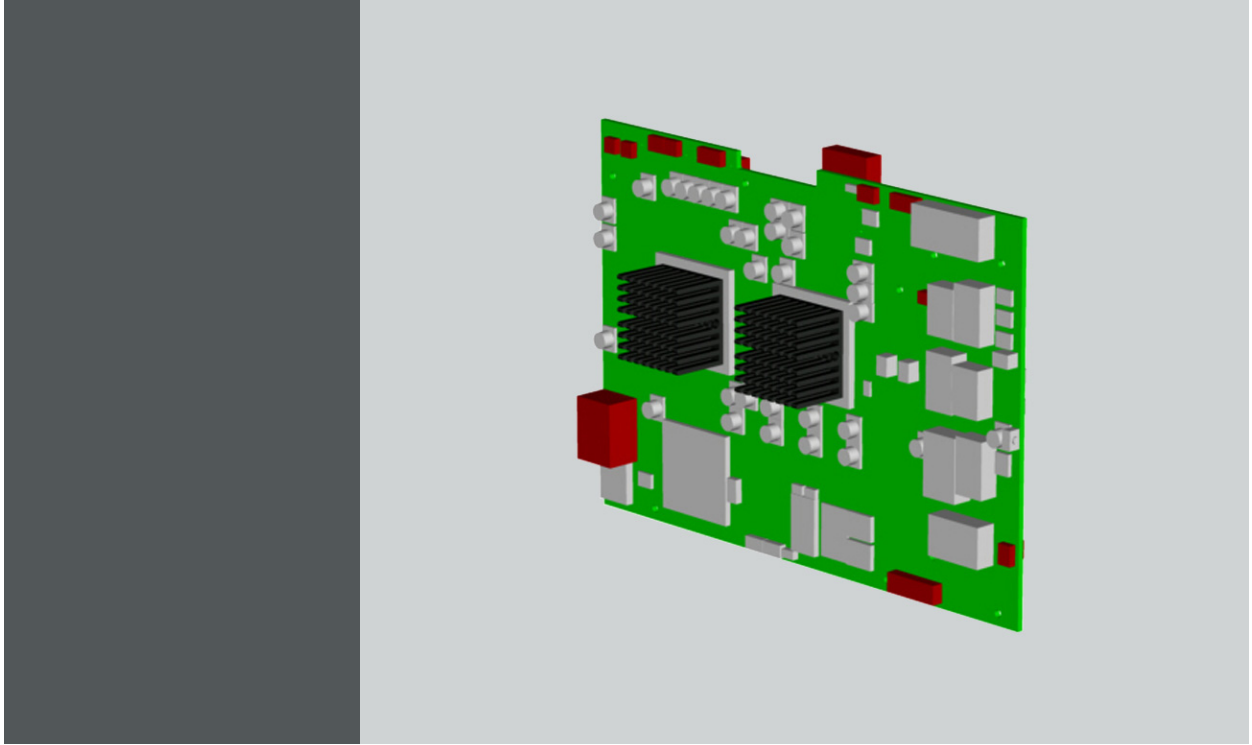


# PMP kit



## Installation manual Galaxy NH-12, NW-12, Galaxy NW-12

R7649672K  
R7649676K

R59770498/01  
28/02/2011



**Barco nv Simulation Division**  
Noordlaan 5, B-8520 Kuurne  
Phone: +32 56.36.82.11  
Fax: +32 56.36.84.86  
E-mail: [info@barco.com](mailto:info@barco.com)  
Visit us at the web: [www.barco.com](http://www.barco.com)

Printed in Belgium

## Changes

Barco provides this manual 'as is' without warranty of any kind, either expressed or implied, including but not limited to the implied warranties or merchantability and fitness for a particular purpose. Barco may make improvements and/or changes to the product(s) and/or the program(s) described in this publication at any time without notice.

This publication could contain technical inaccuracies or typographical errors. Changes are periodically made to the information in this publication; these changes are incorporated in new editions of this publication.

## Copyright ©

All rights reserved. No part of this document may be copied, reproduced or translated. It shall not otherwise be recorded, transmitted or stored in a retrieval system without the prior written consent of Barco.

## Disposal Information

This equipment has required the extraction and use of natural resources for its production. It may contain hazardous substances for health and environment. In order to avoid the dissemination of those substances in the environment and to diminish the pressure on natural resources, we encourage you to use the appropriate take-back systems. Those systems will reuse or recycle most of the materials of your end of life equipment in a sound way.



The crossed-out wheeled bin symbol invites you to use those systems. If you need more information on the collection, reuse and recycling systems, please contact your local or regional waste administrator. You can also contact us for more information on the environmental performances of our products.

## Guarantee and Compensation

Barco provides a guarantee relating to perfect manufacturing as part of the legally stipulated terms of guarantee. On receipt, the purchaser must immediately inspect all delivered goods for damage incurred during transport, as well as for material and manufacturing faults Barco must be informed immediately in writing of any complaints.

The period of guarantee begins on the date of transfer of risks, in the case of special systems and software on the date of commissioning, at latest 30 days after the transfer of risks. In the event of justified notice of complaint, Barco can repair the fault or provide a replacement at its own discretion within an appropriate period. If this measure proves to be impossible or unsuccessful, the purchaser can demand a reduction in the purchase price or cancellation of the contract. All other claims, in particular those relating to compensation for direct or indirect damage, and also damage attributed to the operation of software as well as to other services provided by Barco, being a component of the system or independent service, will be deemed invalid provided the damage is not proven to be attributed to the absence of properties guaranteed in writing or due to the intent or gross negligence or part of Barco.

If the purchaser or a third party carries out modifications or repairs on goods delivered by Barco, or if the goods are handled incorrectly, in particular if the systems are commissioned operated incorrectly or if, after the transfer of risks, the goods are subject to influences not agreed upon in the contract, all guarantee claims of the purchaser will be rendered invalid. Not included in the guarantee coverage are system failures which are attributed to programs or special electronic circuitry provided by the purchaser, e.g. interfaces. Normal wear as well as normal maintenance are not subject to the guarantee provided by Barco either.

The environmental conditions as well as the servicing and maintenance regulations specified in the this manual must be complied with by the customer.

## Trademarks

Brand and product names mentioned in this manual may be trademarks, registered trademarks or copyrights of their respective holders. All brand and product names mentioned in this manual serve as comments or examples and are not to be understood as advertising for the products or their manufacturers.



---

# TABLE OF CONTENTS

<b>1. Safety instructions .....</b>	<b>3</b>
1.1 Safety during kit installation .....	3
<b>2. PMP kit .....</b>	<b>5</b>
2.1 Introduction .....	5
2.2 Kit description.....	5
2.3 Kit installation (overview).....	5
<b>3. Kit installation (detailed) .....</b>	<b>7</b>
3.1 Making a backup of the PMP to be replaced .....	7
3.2 Replacing the faulty PMP .....	7
3.2.1 Removing the input module .....	7
3.2.2 Removing the PMP .....	8
3.2.3 Installing the PMP.....	10
3.2.4 Installing the input module.....	12
3.3 Restoring the backup.....	13
3.4 Upgrade the projector to the desired software version.....	13
<b>A. Backup and restore data .....</b>	<b>15</b>
A.1 Connecting to the projector through Projector Support .....	15
A.2 Making a backup of the projector's key data .....	18
A.3 Restoring a set of key data.....	21
<b>Index.....</b>	<b>31</b>



---

# 1. SAFETY INSTRUCTIONS

## 1.1 Safety during kit installation

---



**WARNING:** The procedures below may only be performed by Barco trained and qualified technicians.

---



**WARNING:** Power down the projector and remove the power cord from the wall outlet before removing any of the projector covers.

---



**WARNING:** The projector must be cooled down before removing any of the projector covers: wait for the cool down cycle to finish after switching the projector to standby (the sound of the fans comes to a very low level) and wait for 15 more minutes before starting any of the procedures below.

---



**CAUTION:** Wear a wrist band which is connected to the ground while handling the electrostatic discharge sensitive parts.

---





## 2. PMP KIT

### 2.1 Introduction

#### Introduction

In case of failure of a PMP, it must be replaced by a (blank) new one. However, since most of the projector related data is stored on this board, this data will be lost while replacing the board. This includes not only key data such as **Projector Device Type** and **Projector Serial Number**, but also the full set of factory settings of the projector which are indispensable to get a good quality image: **uniformity, colors, gray levels, etc.** Not having this factory settings will definitely result in a **POOR QUALITY IMAGE**.

To avoid loss of data, it is a **must** to make a backup of all the settings using the software tool **Projector Support**. This tool makes it possible to make a full backup, including Projector Device Type, Projector Serial Number and Runtimes and full factory settings. When restoring the (original!) backup on a (blank!) PMP, it will be fully configured in the way it was by the time of the backup.

In the situation where no backup is available and the PMP is not working properly, try to connect to the projector via Ethernet anyway and use the Projector Support tool to make a backup. Most probably, this will be successful. If not, you will have to contact Barco.



The Projector Support tool can be found on TDE on BarcoZone ( <http://kuunet.barco.com/bgs/global/TDE2/> ): search for **Software**, using string "Projector Support"

### 2.2 Kit description

#### Scope

Two different kits are available. The table below points out which one to use.

Kit number	Projector type	Projector article number
R7649672K	Galaxy NH-12	R9040400
	NH-12	R9010610
	iD LH-12	R9010620
	iCon NH-12	R9010600
R7649676K	Galaxy NW-12	R9040410
	NW-12	R9010700

#### Kit content

The kit contains a blank PMP.

### 2.3 Kit installation (overview)

#### Overview of the kit installation

1. Use Projector Support tool and make a backup of the settings of the PMP to be replaced
2. Replace the faulty PMP by the new one of the kit
3. Restore the backup
4. Upgrade the projector to the desired software version



## 3. KIT INSTALLATION (DETAILED)



**CAUTION:** This procedure may only be performed by Barco trained and qualified technicians.

### 3.1 Making a backup of the PMP to be replaced

#### Introduction

If a PMP fails, communication via Ethernet is most probably still possible. This implies that a backup can still be made using the **Projector Support tool**. If there is no more communication with the faulty PMP, Barco's helpdesk must be contacted.

#### How to make a backup of the PMP to be replaced?

See "Backup and restore data", page 15.

### 3.2 Replacing the faulty PMP

#### 3.2.1 Removing the input module



Input layers 3, 4 and 5 can be installed or removed without taking out the complete input module!



The input module with all of the input layers can be removed as a unit!

#### Necessary tools

Torx screwdriver T10

#### How to remove the input module?

1. Remove the covers (see concerning chapters):
  - rear cover
  - top cover
  - engine fan cover 1
2. Remove the four screws fixing the preformatter unit to the input module

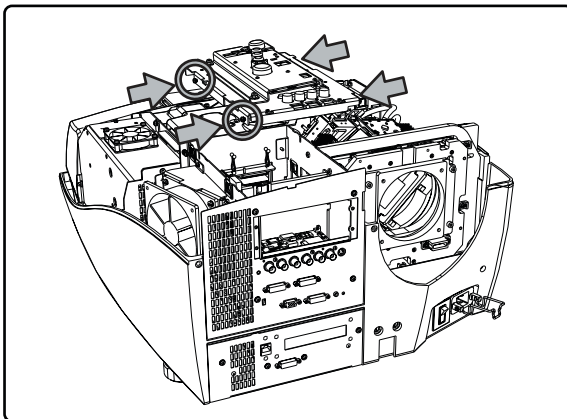


Image 3-1  
Preformatter unit: fixing screws

### 3. Kit installation (detailed)

3. Lift the preformatter unit a bit and unplug the following connectors:
  - J100, J101, J102 on the preformatter: data from the PMP
  - J11 on the preformatter: power supply from the power box
  - J410 on the PMP: commands from the local keypad
  - J13 on the PMP: commands from the IR receiver
4. Remove the screw fixing the three grounding wires
5. Flip over the preformatter unit  
Or,  
Unplug the other connectors on the preformatter unit and remove the unit
6. Remove both fixing screws on the front panel of the input module

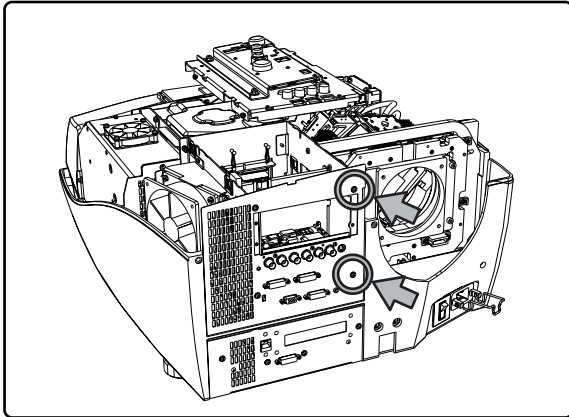


Image 3-2  
Input module: fixing front screws

7. Remove the three screws fixing the input module to the chassis

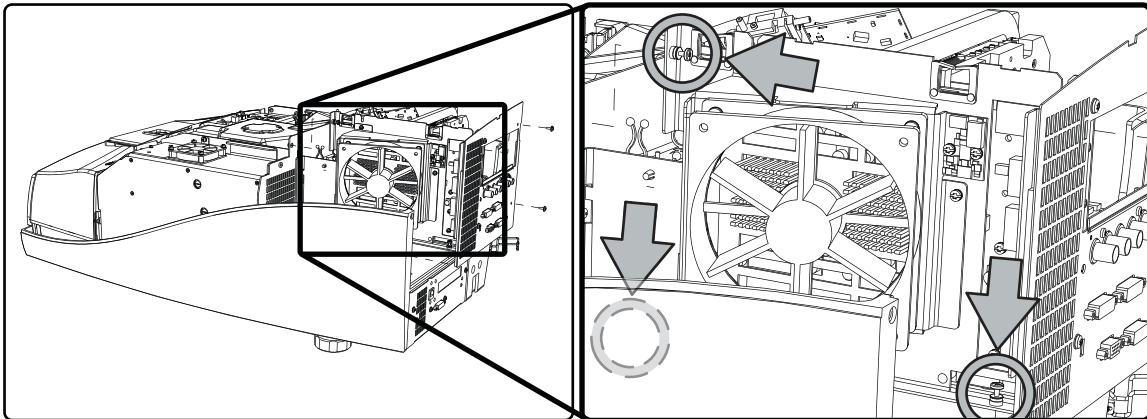


Image 3-3  
Input module: fixing screws chassis

8. Lift the input module a bit and unplug the connectors on the PMP:
  - J15: power supply from the power box
  - J19: IC2 to the desktop input
  - J23; I2C from the power box
  - J14: sync from the engine controller
  - J22: I2C to the engine controller
  - J11: ethernet wire from the front panel
  - J2 and J3 on the LVDS interface (which is mounted on the PMP): data from the desktop input
9. Remove the input module

#### 3.2.2 Removing the PMP

##### Necessary tools

Torx screwdriver T10

### How to remove the PMP?

1. Remove the input module (see concerning chapter)
2. Remove both screws fixing the PMP to the front plate

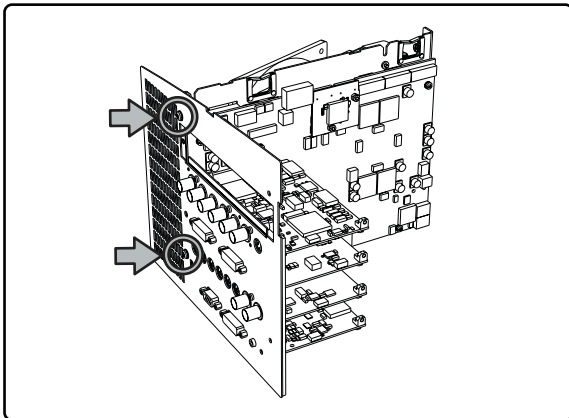


Image 3-4  
PMP: front fixing screws

3. Remove the side screws fixing the input boards to the PMP

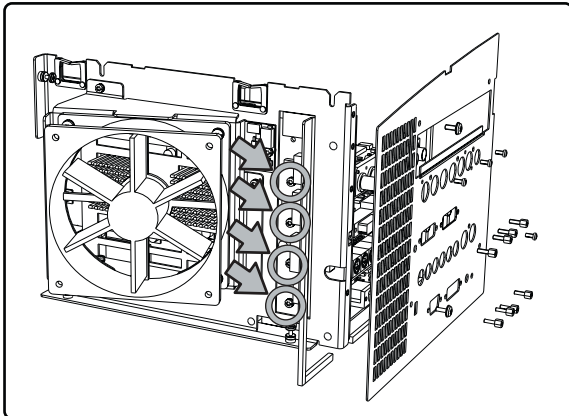


Image 3-5

4. Disconnect the PMP from the inputs by unplugging the board-to-board connectors

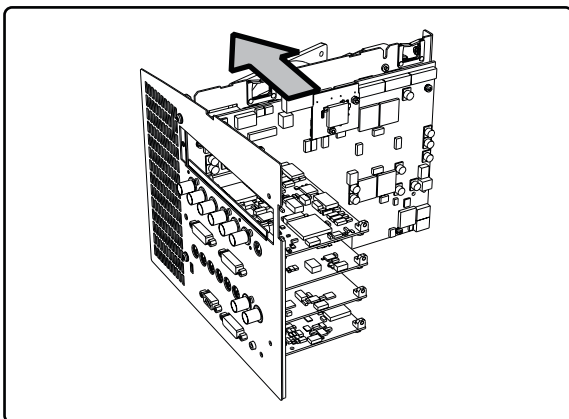


Image 3-6  
PMP: unplug from input boards

5. Remove the LVDS connector from the PMP (see chapter *LVDS interface* )

### 3. Kit installation (detailed)

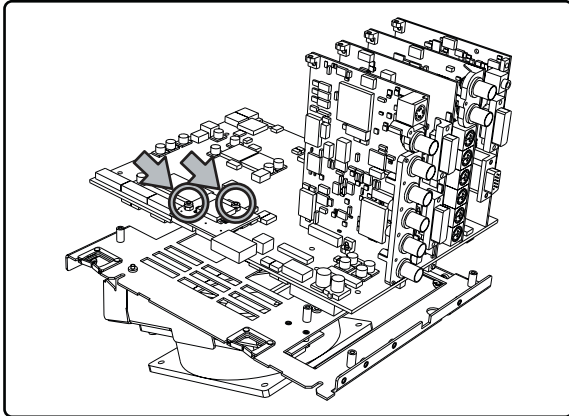


Image 3-7  
PMP: fixing screws of the LVDS interface

6. Remove the screws fixing the PMP fan assembly to the PMP

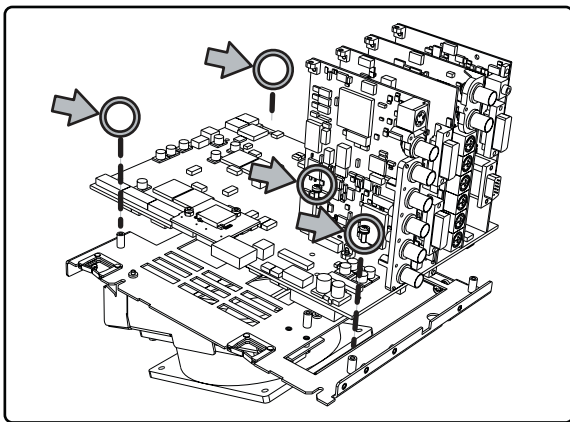


Image 3-8  
PMP fan assembly: fixing screws (1)

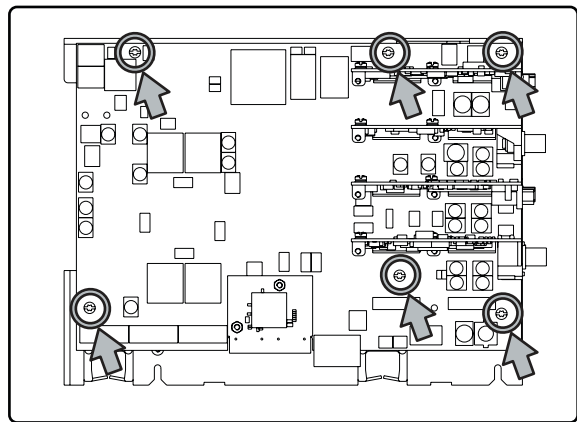


Image 3-9  
PMP fan assembly: fixing screws (2)

### 3.2.3 Installing the PMP

#### How to install the PMP?

1. Put the PMP fan assembly on the PMP and fix it using 6 screws

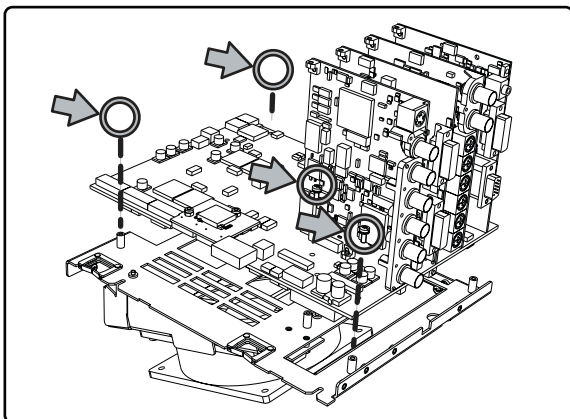


Image 3-10  
PMP fan assembly: fixing screws (1)

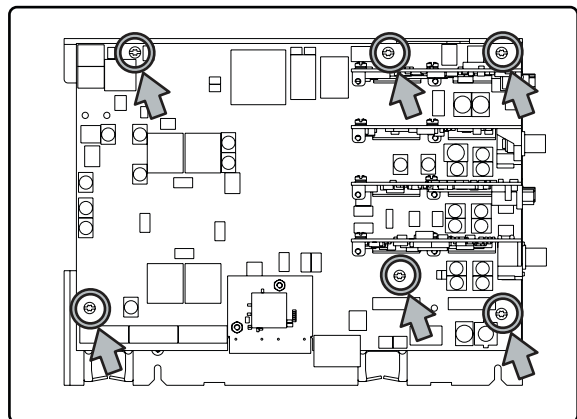


Image 3-11  
PMP fan assembly: fixing screws (2)

2. Fix the LVDS interface to the PMP (see chapter LVDS interface)

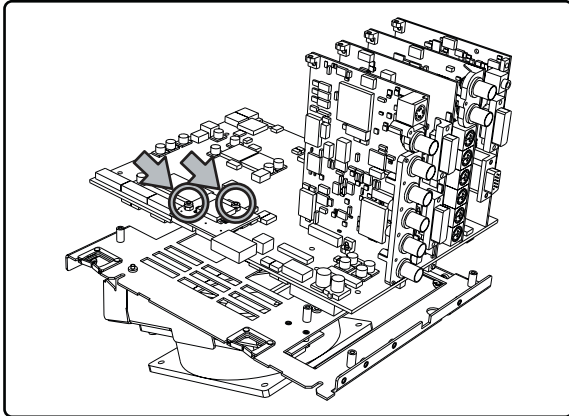


Image 3-12  
PMP: fixing screws of the LVDS interface

3. Connect the PMP to the inputs by plugging in the board-to-board connectors

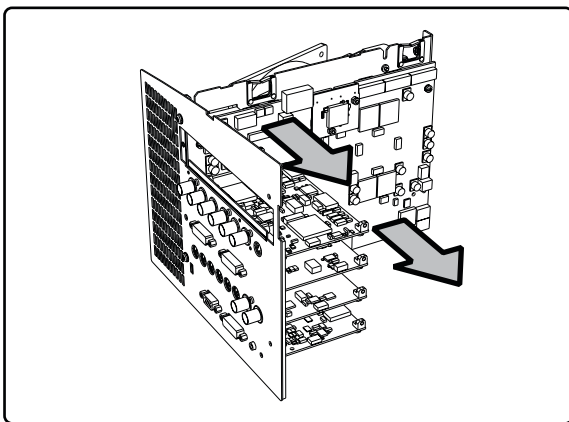


Image 3-13  
PMP: plug into the input board connectors

4. Fix the PMP to the input boards using the side screws

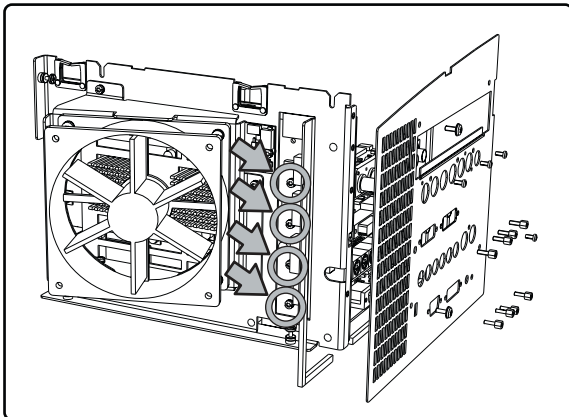


Image 3-14  
PMP: side screws fixing the input boards

5. Fix the PMP to the front plate using two screws

### 3. Kit installation (detailed)

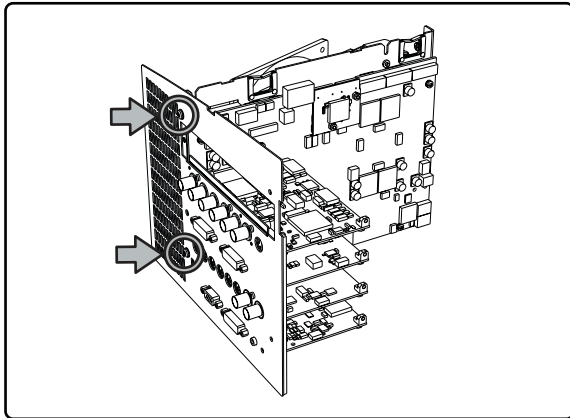


Image 3-15  
PMP: front fixing screws

6. install the input module into the projector (see concerning chapter)

#### 3.2.4 Installing the input module

##### Necessary tools

Torx screwdriver T10

##### How to install the input module?

1. Put the connector next to its correct position and plug in the connectors:
  - J15: power supply from connector 6 on the power box
  - J19: IC2 to connector J320 on the desktop input
  - J23; I2C from connector 13 on the power box
  - J14: sync from connector J4 on the engine controller
  - J22: I2C to connector J5 on the engine controller
  - J11: ethernet wire from the front panel
  - J2 and J3 on the LVDS interface (which is mounted on the PMP): data from connectors J200 and J300 on the desktop input
2. Lower the input module until it is in its final position and fix it using three fixing screws

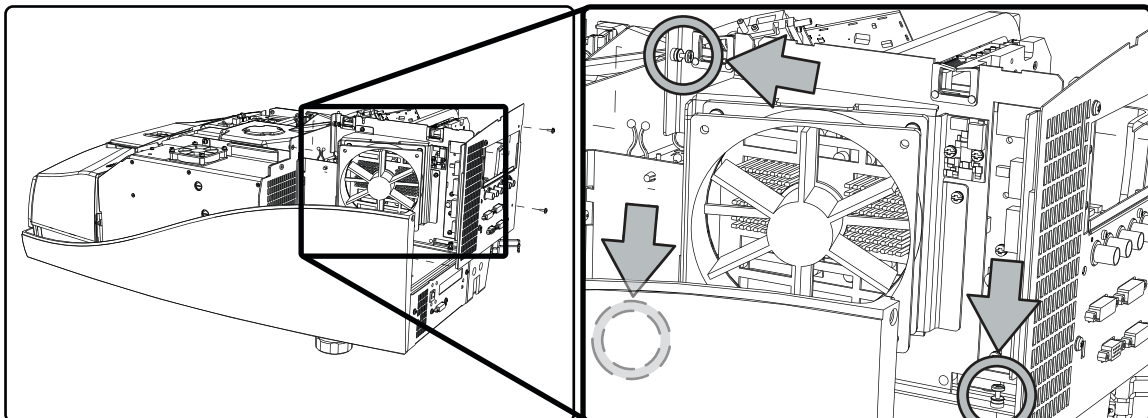


Image 3-16  
Input module: fixing screw chassis

3. Fix the front plate of the input module using two screws



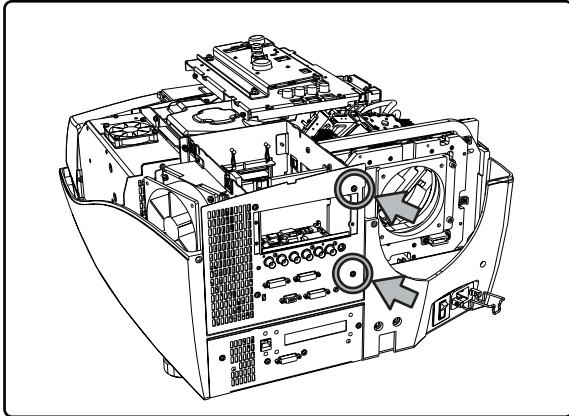


Image 3-17  
input module: fixing front screws

4. Put the preformatter unit next to its correct position and plug in the connectors:
  - J100, J101, J102 on the preformatter: data from connectors J823, J824 and J825 on the PMP
  - J11 on the preformatter: power supply from connector 6 on the power box
  - J410 on the PMP: commands from connector J410 on the local keypad
  - J13 on the PMP: commands from the IR receiver
5. Use one screw to fix the three grounding wires to the preformatter
6. Fix the preformatter unit to the input module using four screws

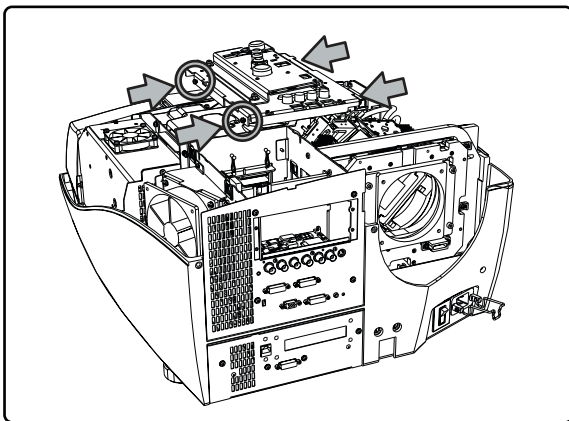


Image 3-18  
Preformatter unit: front screws

7. Install the covers (see concerning chapters):
  - engine fan cover 1
  - top cover
  - rear cover

### 3.3 Restoring the backup

#### Procedure

Restore the backup using **Projector Support tool**. For more details, see "Backup and restore data", page 15.

### 3.4 Upgrade the projector to the desired software version

#### Introduction

Projector upgrade is done through Ethernet. Prior to starting the procedure below, make sure the Ethernet settings in the OSD are set to the correct values to make Ethernet communication possible between computer and projector.

### 3. Kit installation (detailed)

---

#### Necessary tools

Computer or laptop, connected to the projector through Ethernet

#### How to upgrade the projector software?

1. Enter the correct Ethernet settings in the OSD of the projector
2. Download the desired upgrade tool to your computer or laptop
3. Run the upgrade tool

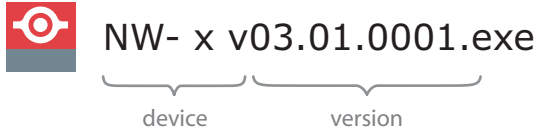


Image 3-19  
Upgrade tool: example for NW-12 and Galaxy NW-12



**CAUTION: Refer to the User guide to enter the Ethernet settings in the OSD of the projector**

---

---

# A. BACKUP AND RESTORE DATA

## Overview

- Connecting to the projector through Projector Support
- Making a backup of the projector's key data
- Restoring a set of key data

## About this chapter

It is extremely important to make backups of your projector data after each setting change.

This chapter describes how to use Barco's *Projector Support* software tool to make a backup of the key data of a projector and how to restore this backup.

A full backup holds the full set of data which is available on the PMP of the projector:

- panel settings
- projector settings
- standard/customer files
- serial number
- history
- runtimes
- option key
- etc.

Recovery of the serial number and the runtimes is possible, on condition that the processor of the target PMP does not contain this information yet (i.e. it must be a new PMP).



**In a (local) network where multiple PMP boards are present, only replace one PMP at a time to prevent restoring a backup to a wrong PMP.**

---



**CAUTION: A backup file includes alignment data that is related to the original projector only: uploading these files to another projector may result in bad image quality!**

---



**CAUTION: Pressing <Clear settings> in the *Tools* section deletes all data from the PMP, even default settings and factory data!**

---

## A.1 Connecting to the projector through Projector Support

---

### How to connect to the projector?

1. Add both the projector and the computer to the same (local) network
2. Switch on the projector and leave it in standby mode
3. On the computer, run the *Projector Support* tool

## A. Backup and restore data

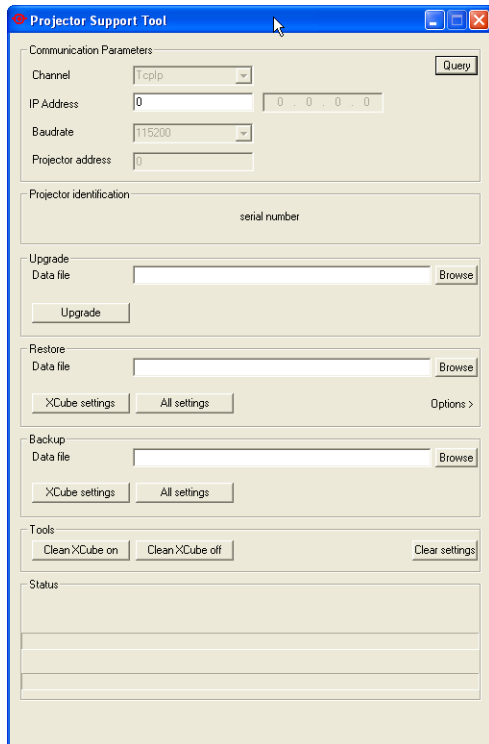


Image A-1  
Projector Support tool: user interface

4. In the *Communication Parameters* section, enter the IP address or the hostname of the projector

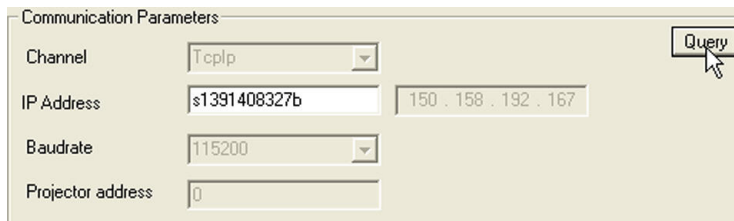


Image A-2  
Projector Support tool: enter IP address or hostname

**Tip:** You can also press the **Query** button. A list appears, showing all the projectors that are connected to the same network. In this list, select the desired projector and hit **OK**.

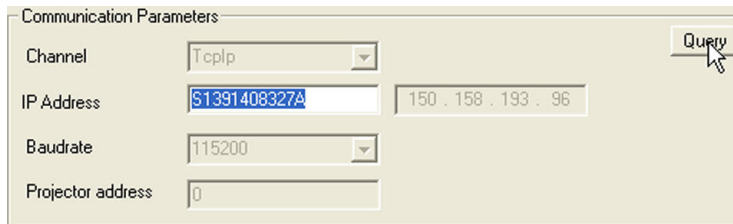


Image A-3  
Projector Support tool: select Query

SERIAL_NUMBER	DEVICE_ID	DEVICE_TYPE	HOST_NAME	IP_ADDRESS	IP_MASK	IP_GATEWAY	DHCP	MAC_ADDRESS
1111122222	210	NH12	MARSIBRA	150.158.193.210	255.255.248.0	150.158.192.1	1	00:04:a5:2f:0e:41
1390001111	135	Windowing	wnd_jdrm	150.158.194.101	255.255.248.0	150.158.192.1	1	00:04:a5:10:0e:21
1391408326	211	SIM7Q	S1391408326A	150.158.193.87	255.255.248.0	150.158.192.1	1	00:04:a5:51:0e:3d
1391408327	211	SIM7C	S1391408327B	150.158.192.167	255.255.248.0	150.158.192.1	1	00:04:a5:2f:0e:0d
1391408327	211	SIM7Q	S1391408327A	150.158.195.234	255.255.248.0	150.158.192.1	1	00:04:a5:50:0e:a0
1391411051	211	SIM7C	S1391411051B	150.158.197.156	255.255.248.0	150.158.192.1	1	00:04:a5:52:0e:eb
1391411051	211	SIM7D	S1391411051A	150.158.197.161	255.255.248.0	150.158.192.1	1	00:04:a5:51:0e:4e
1391412250	214	SIM 5w	TMVR-001	150.158.194.188	255.255.248.0	150.158.192.1	1	00:04:a5:80:11:8a
1391412510	211	SIM7Q	S1391412510A	150.158.197.116	255.255.248.0	150.158.192.1	1	00:04:a5:51:0e:30
1391412510	211	SIM7C	S1391412510B	150.158.193.200	255.255.248.0	150.158.192.1	1	00:04:a5:51:0e:29
1391414738	211	SIM7Q	S1391414738A	150.158.192.164	255.255.248.0	150.158.192.1	1	00:04:a5:51:0e:96
1391414739	211	SIM7Q	S1391414739A	150.158.193.163	255.255.248.0	150.158.192.1	1	00:04:a5:51:0e:ad
1391414767	214	SIM 5w	KC-046	150.158.194.128	255.255.248.0	150.158.192.1	1	00:04:a5:a0:11:01
1391415473	211	SIM7Q	S1391415473	150.158.193.201	255.255.248.0	150.158.192.1	1	00:04:a5:51:0e:cc
1391415474	211	SIM7Q	S1391415474	150.158.197.59	255.255.248.0	150.158.192.1	1	00:04:a5:51:0e:d2
1391416503	211	SIM7Q	S1391416503	150.158.192.203	255.255.248.0	150.158.192.1	1	00:04:a5:51:0e:d9
1391416504	211	SIM7Q	S1391416504	150.158.195.184	255.255.248.0	150.158.192.1	1	00:04:a5:51:0e:df
1391416505	211	SIM7Q	S1391416505	150.158.195.190	255.255.248.0	150.158.192.1	1	00:04:a5:51:0e:e3
1391416784	213	Galaxy NW12	M1391416784	150.158.194.187	255.255.248.0	150.158.192.1	1	00:04:a5:2f:0e:52
1391416914	211	SIM7Q	S1391416914	150.158.198.143	255.255.248.0	150.158.192.1	1	00:04:a5:51:0e:e8
1391417848	211	SIM7Q	S1391417848	150.158.194.171	255.255.248.0	150.158.192.1	1	00:04:a5:50:0e:2d
1391417850	211	SIM7Q	S1391417850	150.158.192.174	255.255.248.0	150.158.192.1	1	00:04:a5:52:0e:1a

Image A-4  
Projector Support tool: example of a query list

### Special case in the Query list

If DHCP is disabled in the projector's network settings and the fixed IP address of the projector (PMP) is not known and happens to be outside the range of the local network, the PMP is listed in **red font**.

SERIAL_NUMBER	DEVICE_ID	DEVICE_TYPE	HOST_NAME	IP_ADDRESS	IP_MASK	IP_GATEWAY	DHCP	MAC_ADDRESS
1111122222	210	NH12	MARSIBRA	150.158.193.210	255.255.248.0	150.158.192.1	1	00:04:a5:2f:0e:41
1190030655	211	SIM7Q	S1190030655	150.158.193.129	255.255.248.0	150.158.192.1	1	00:04:a5:60:0e:fc
1390006667	135	Windowing	WNBdaz	150.158.193.131	255.255.248.0	150.158.192.1	1	00:04:a5:10:0e:13
1391408326	211	SIM7Q	S1391408326A	150.158.193.87	255.255.248.0	150.158.192.1	1	00:04:a5:51:0e:3d
1391408327	211	SIM7C	S1391408327B	10.0.0.1	255.0.0.0	10.0.0.2	0	00:04:a5:50:0e:a0
1391408327	211	SIM7Q	S1391408327A	150.158.192.167	255.255.248.0	150.158.192.1	1	00:04:a5:2f:0e:0d
1391410480	213	Galaxy NW12	NW12-KC-032	150.158.195.210	255.255.248.0	150.158.192.1	1	00:04:a5:2f:0e:53
1391411051	211	SIM7D	S1391411051A	150.158.197.161	255.255.248.0	150.158.192.1	1	00:04:a5:51:0e:4e
1391411051	211	SIM7C	S1391411051B	150.158.197.156	255.255.248.0	150.158.192.1	1	00:04:a5:52:0e:eb
1391412250	214	SIM 5w	TMVR-001	150.158.194.188	255.255.248.0	150.158.192.1	1	00:04:a5:80:11:8a
1391412510	211	SIM7Q	S1391412510A	150.158.197.116	255.255.248.0	150.158.192.1	1	00:04:a5:51:0e:30
1391412510	211	SIM7C	S1391412510B	150.158.193.200	255.255.248.0	150.158.192.1	1	00:04:a5:51:0e:29
1391412516	211	SIM7C	S1391412516A	150.158.192.156	255.255.248.0	150.158.192.1	1	00:04:a5:51:0e:37
1391412516	211	SIM7C	S1391412516B	150.158.194.177	255.255.248.0	150.158.192.1	1	00:04:a5:51:0e:38
1391414738	211	SIM7Q	S1391414738A	150.158.192.164	255.255.248.0	150.158.192.1	1	00:04:a5:51:0e:96
1391414739	211	SIM7Q	S1391414739A	150.158.193.163	255.255.248.0	150.158.192.1	1	00:04:a5:51:0e:ad
1391414767	214	SIM 5w	KC-046	150.158.194.128	255.255.248.0	150.158.192.1	1	00:04:a5:a0:11:01
1391415473	211	SIM7Q	S1391415473	150.158.193.201	255.255.248.0	150.158.192.1	1	00:04:a5:51:0e:cc
1391415474	211	SIM7Q	S1391415474	150.158.197.59	255.255.248.0	150.158.192.1	1	00:04:a5:51:0e:d2
1391416504	211	SIM7Q	S1391416504	150.158.195.184	255.255.248.0	150.158.192.1	1	00:04:a5:51:0e:df
1391416505	211	SIM7Q	S1391416505	150.158.195.190	255.255.248.0	150.158.192.1	1	00:04:a5:51:0e:e3
1391416784	213	Galaxy NW12	M1391416784	150.158.194.187	255.255.248.0	150.158.192.1	1	00:04:a5:2f:0e:52
1391416914	211	SIM7Q	S1391416914	150.158.198.143	255.255.248.0	150.158.192.1	1	00:04:a5:51:0e:e8
1391417848	211	SIM7Q	S1391417848	150.158.194.171	255.255.248.0	150.158.192.1	1	00:04:a5:50:0e:2d
1391417850	211	SIM7Q	S1391417850	150.158.192.174	255.255.248.0	150.158.192.1	1	00:04:a5:52:0e:1a

Image A-5  
Projector Support tool: example of a query list

## A. Backup and restore data

Select it and hit **OK** to open a new window where the network settings can be manually changed. It is advised to switch *DHCP* to **On** to continue.

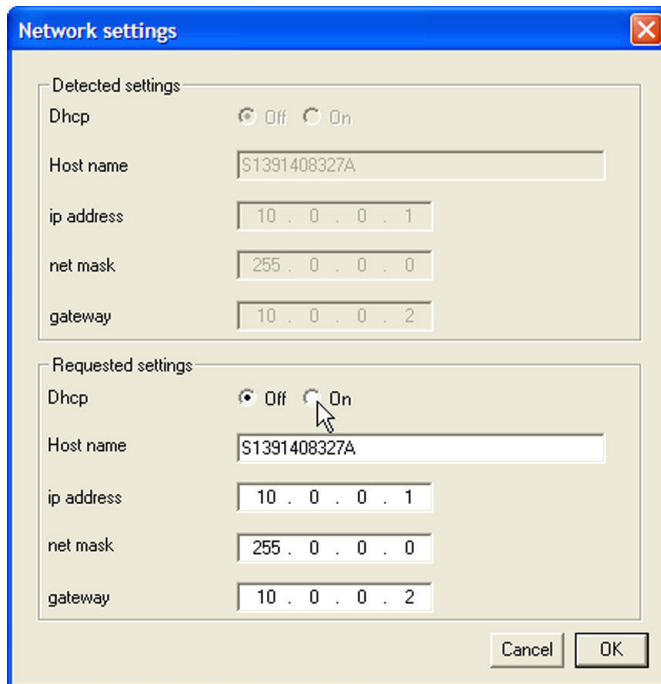


Image A-6  
Projector Support tool: change DHCP setting to ON

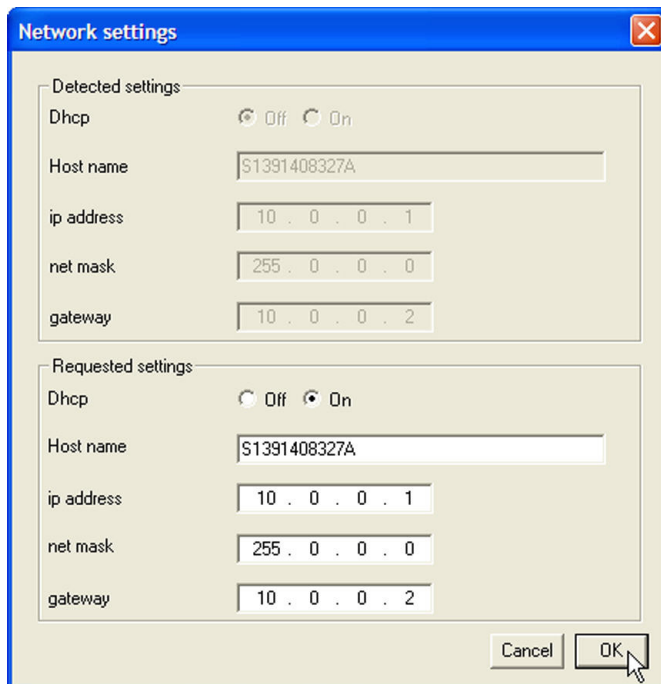


Image A-7  
Projector Support tool: confirm network settings

## A.2 Making a backup of the projector's key data

### How to make a backup of the projector's key data?

It is assumed that communication with the projector has been established through *Projector Support*.

1. In the *Backup* section of the Projector Support tool user interface, hit **Browse**

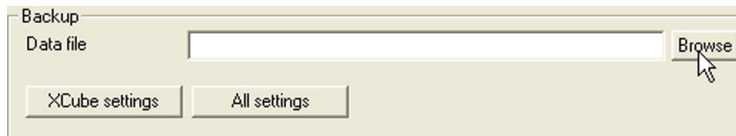


Image A-8  
Projector Support tool: select browse in the *Backup* section

2. Select a target folder on the computer to save the backup of the projector data

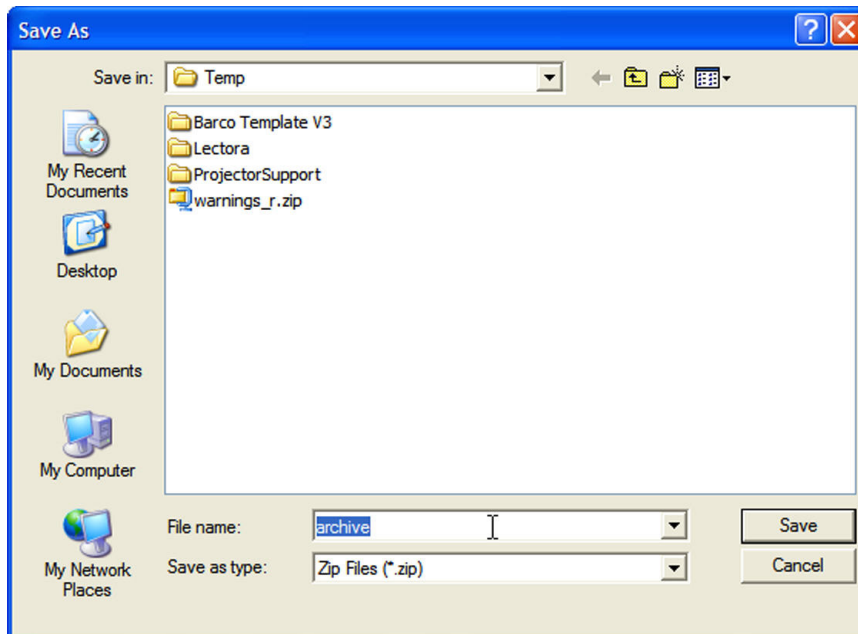


Image A-9  
Projector Support tool: browse to the backup folder

3. Change the file name (optional) and hit **Save**

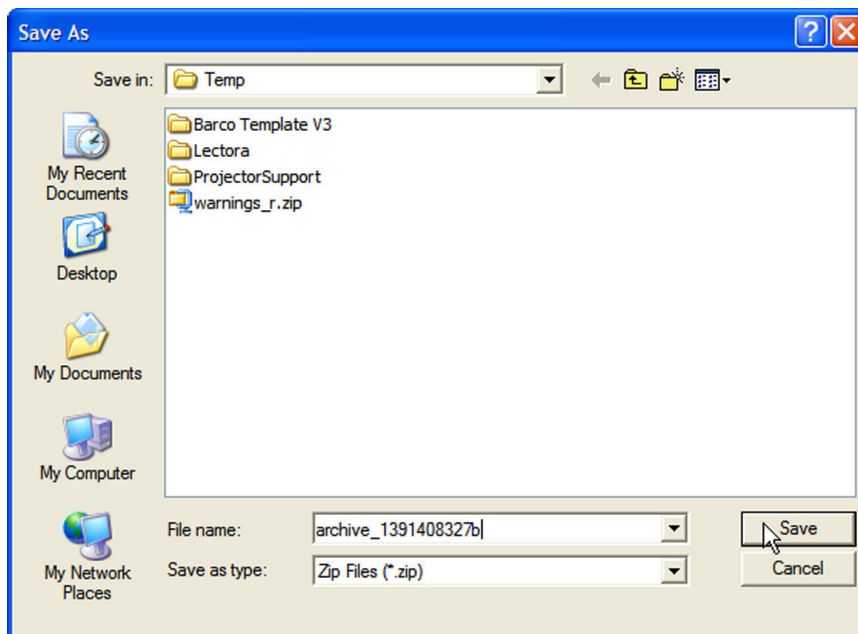


Image A-10  
Projector Support tool: change the name of the backup file (optional)

4. In the *Backup* section, hit **All settings**

## A. Backup and restore data

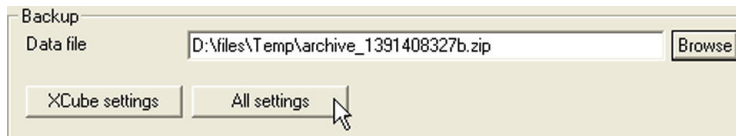


Image A-11  
Projector Support tool: start the backup of all settings

5. Wait for the backup process to be finished.

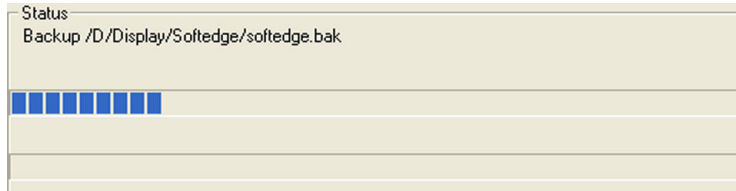


Image A-12  
Projector Support tool: progress bar

A successful backup is indicated by a green oval.

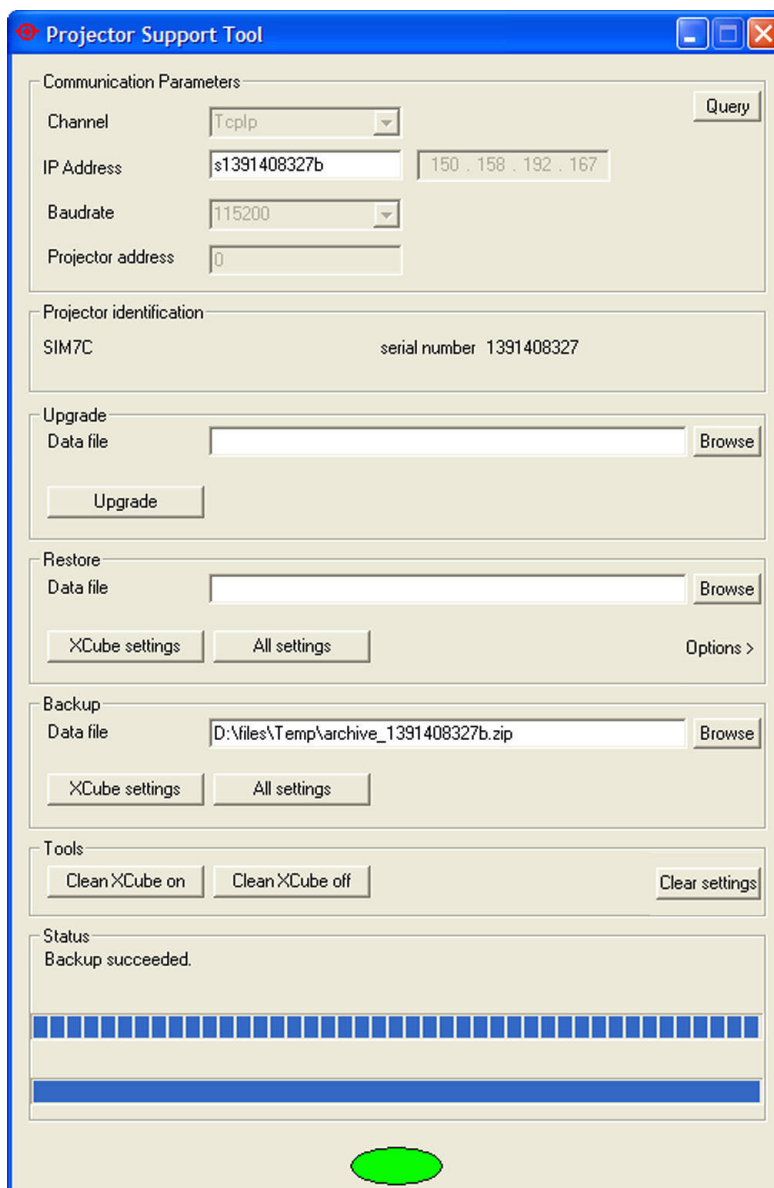


Image A-13  
Projector Support tool: backup successful

An error is indicated by a brief description and a red oval. Solve the cause of the error and retry.





**CAUTION:** It is not allowed to do any manual change to a backup file. A changed file cannot be restored!

### A.3 Restoring a set of key data



**CAUTION:** If a backup file has been manually changed, it will no longer be possible to restore it in the projector!

#### Different levels of restore

Different situations lead to different levels of restore:

- restore data to a **used PMP** which already holds data and settings
- restore data to a **new PMP** which has no data and settings yet

When restoring to a new PMP, the Projector Support tool automatically manages the full restore. This means that the operator can not interact. The serial number and history are restored as well.

When restoring to a used PMP, a selection of the files to be restored can be made. The Projector Support tool however manages the files which are critical:

- serial number, runtimes, etc. will not be overwritten
- option keys will not be blanked or overwritten
- some files will be merged: newly added data (e.g. custom geometry files) will not be lost
- some settings (e.g. automatic shutdown, warning messages ON/OFF) will not be overwritten
- etc.

#### How to restore the key data in a used PMP?

It is assumed that communication with the projector has been established through *Projector Support* and that an original backup file is available (zip format).

1. In the *Restore* section of the Projector Support tool user interface, hit **Browse**

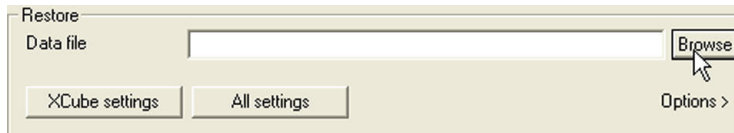


Image A-14  
Projector Support tool: browse to the folder with the backup file

2. Browse to the folder on the computer where the backup file is stored
3. Select the backup file and hit **Open**

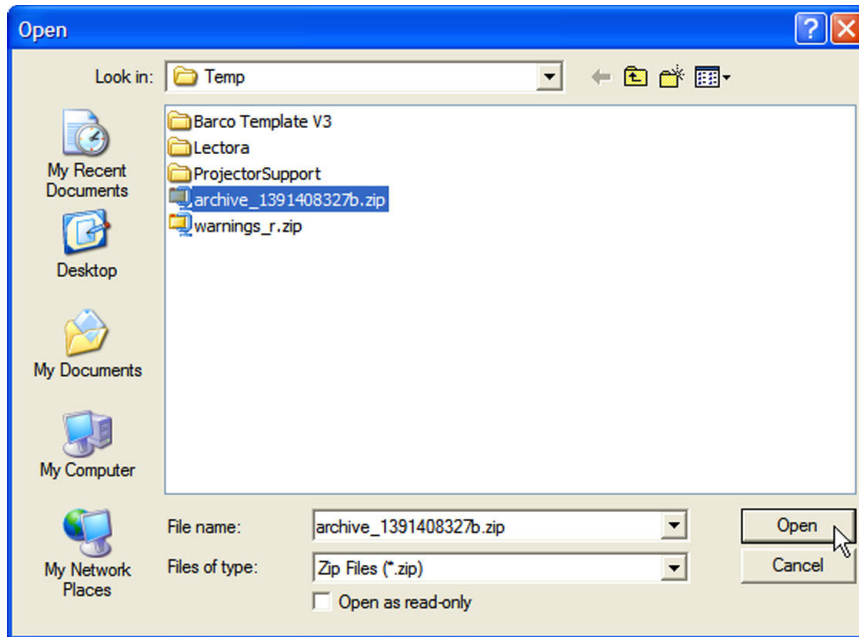


Image A-15  
Projector Support tool: browse to the backup folder

4. In the *Restore* section, you can select an option (not required):
- Overwrite serial number
  - Overwrite device type

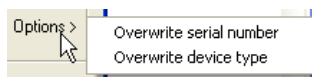


Image A-16

5. In the *Restore* section, hit **All settings**

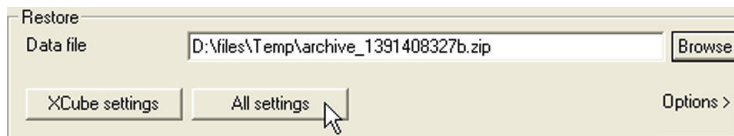


Image A-17  
Projector Support tool: start the restore of the backup

6. An overview of the files to be restored will be shown: check or uncheck the boxes according to what is needed and confirm with **OK**

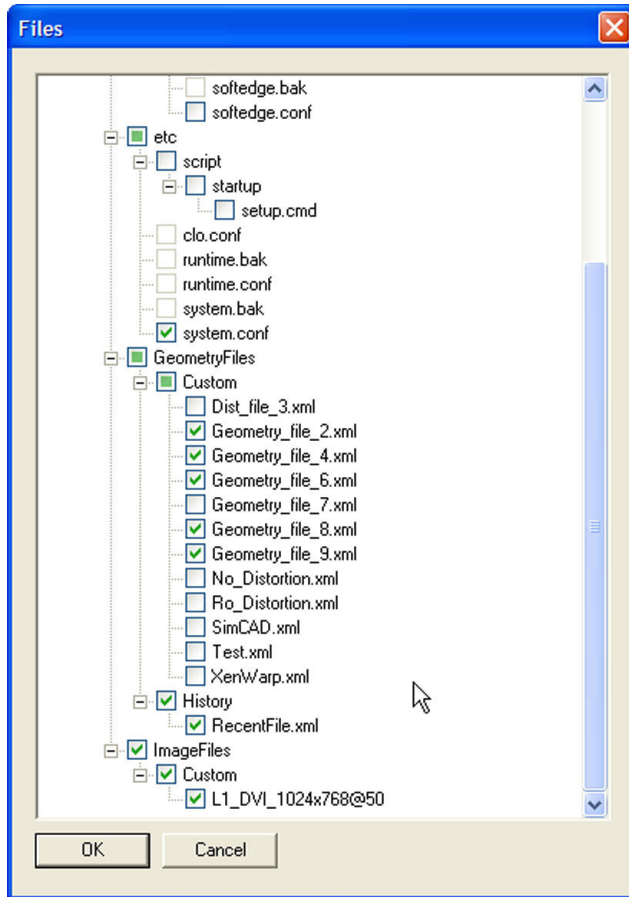


Image A-18  
Projector Support tool: confirm the restore of the backup

7. Wait for the restore process to be finished

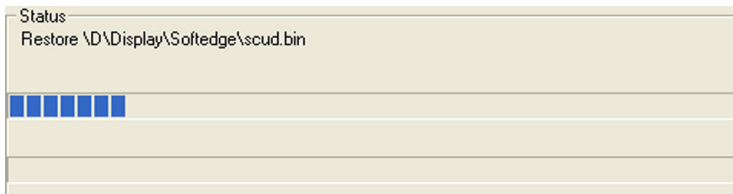


Image A-19  
Projector Support tool: progress bar

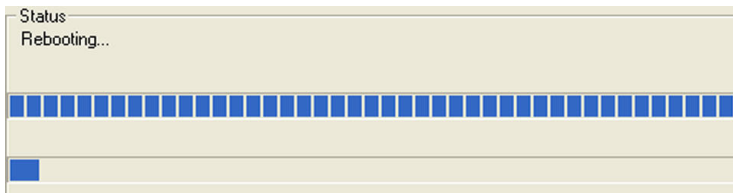


Image A-20  
Projector Support tool: reboot of the PMP after the restore

A successful restore of the backup file is indicated by a green oval.

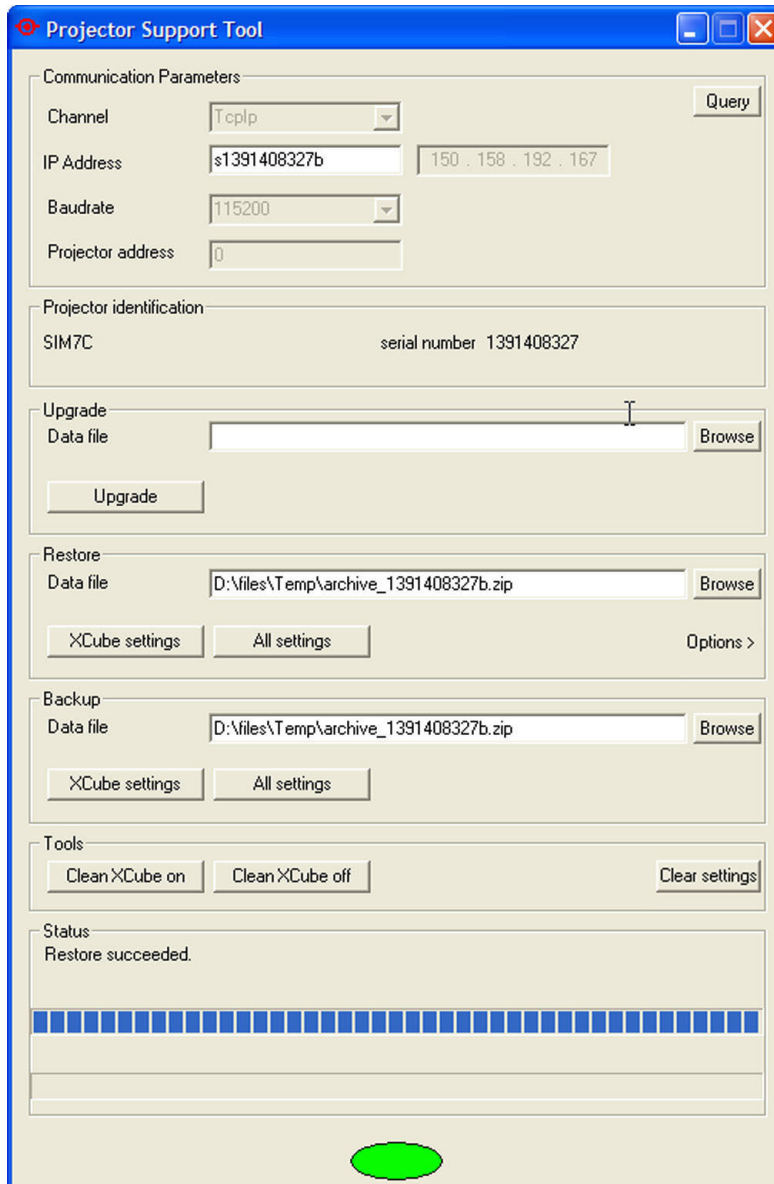


Image A-21  
Projector Support tool: restore of the backup was successful

An error during the restore of the backup file is indicated by a brief description and a red oval. Solve the cause of the error and retry.

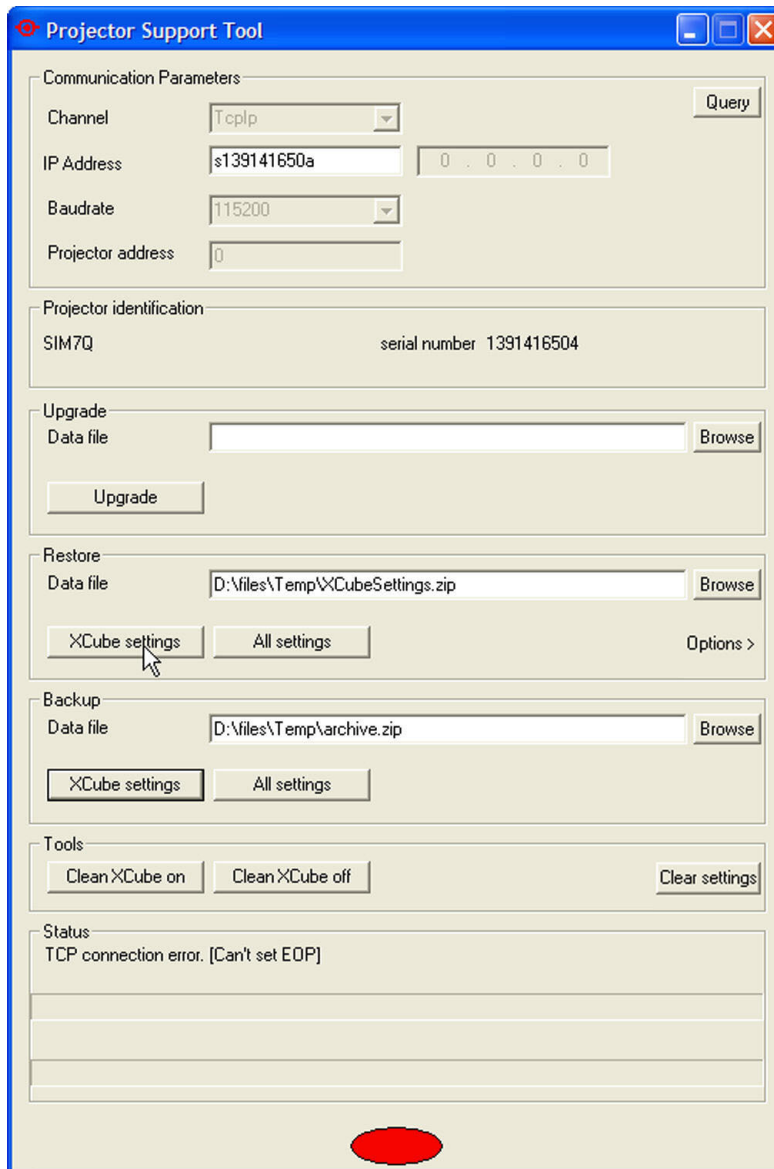


Image A-22  
Projector Support Tool: restore of the backup was not successful

### How to restore the key data in a new PMP?

It is assumed that an original backup file is available (zip format).

1. Start the Projector Support tool and select **Query** in the *Communication Parameters* section of the user interface
2. Select the device which has no serial number and hit **OK**

## A. Backup and restore data

SERIAL_NUMBER	DEVICE_ID	DEVICE_TYPE	HOST_NAME	IP_ADDRESS	IP_MASK	IP_GATEWAY	DHCP	MAC_ADDRESS
0000000000	211	iCon_ ????	S000000000	150.158.192.167	255.255.248.0	150.158.192.1	1	00:04:a5:2f:0e:0d
1111122222	210	NH12	MARSIBRA	150.158.193.210	255.255.248.0	150.158.192.1	1	00:04:a5:2f:0e:41
1390001111	135	iWindowing	wnd_jdm	150.158.194.101	255.255.248.0	150.158.192.1	1	00:04:a5:10:0e:21
1390006667	135	iWindowing	wNDbadz	150.158.193.131	255.255.248.0	150.158.192.1	1	00:04:a5:10:0e:13
1391408326	211	SIM7Q	S1391408326A	150.158.193.87	255.255.248.0	150.158.192.1	1	00:04:a5:51:0e:3d
1391408327	211	SIM7Q	S1391408327A	150.158.195.234	255.255.248.0	150.158.192.1	1	00:04:a5:50:0e:a0
1391411051	211	SIM7D	S1391411051A	150.158.197.161	255.255.248.0	150.158.192.1	1	00:04:a5:51:0e:4e
1391411051	211	SIM7C	S1391411051B	150.158.197.156	255.255.248.0	150.158.192.1	1	00:04:a5:52:0e:eb
1391412250	214	SIM 5w	TMVR-001	150.158.194.188	255.255.248.0	150.158.192.1	1	00:04:a5:80:11:8a
1391412510	211	SIM7C	S1391412510B	150.158.193.200	255.255.248.0	150.158.192.1	1	00:04:a5:51:0e:29
1391412510	211	SIM7Q	S1391412510A	150.158.197.116	255.255.248.0	150.158.192.1	1	00:04:a5:51:0e:30
1391414738	211	SIM7Q	S1391414738A	150.158.192.164	255.255.248.0	150.158.192.1	1	00:04:a5:51:0e:96
1391414739	211	SIM7Q	S1391414739A	150.158.193.163	255.255.248.0	150.158.192.1	1	00:04:a5:51:0e:ad
1391414767	214	SIM 5w	KC-046	150.158.194.128	255.255.248.0	150.158.192.1	1	00:04:a5:a0:11:01
1391415473	211	SIM7Q	S1391415473	150.158.193.201	255.255.248.0	150.158.192.1	1	00:04:a5:51:0e:cc
1391415474	211	SIM7Q	S1391415474	150.158.197.59	255.255.248.0	150.158.192.1	1	00:04:a5:51:0e:d2
1391416503	211	SIM7Q	S1391416503	150.158.192.203	255.255.248.0	150.158.192.1	1	00:04:a5:51:0e:d9
1391416504	211	SIM7Q	S1391416504	150.158.195.184	255.255.248.0	150.158.192.1	1	00:04:a5:51:0e:df
1391416505	211	SIM7Q	S1391416505	150.158.195.190	255.255.248.0	150.158.192.1	1	00:04:a5:51:0e:e3
1391416784	213	Galaxy NW12	M1391416784	150.158.194.187	255.255.248.0	150.158.192.1	1	00:04:a5:2f:0e:52
1391416914	211	SIM7Q	S1391416914	150.158.198.143	255.255.248.0	150.158.192.1	1	00:04:a5:51:0e:e8
1391417848	211	SIM7Q	S1391417848	150.158.194.171	255.255.248.0	150.158.192.1	1	00:04:a5:50:0e:2d
1391417850	211	SIM7Q	S1391417850	150.158.192.174	255.255.248.0	150.158.192.1	1	00:04:a5:52:0e:1a

Image A-23

Projector Support tool: query list

**Tip:** If more than one PMP without serial number is listed, the MAC address must be checked. On the PMP board a label mentioning the MAC address can be found near the power connector on the same side as the heatsinks.

3. In the *Restore* section of the Projector Support tool user interface, hit **Browse**

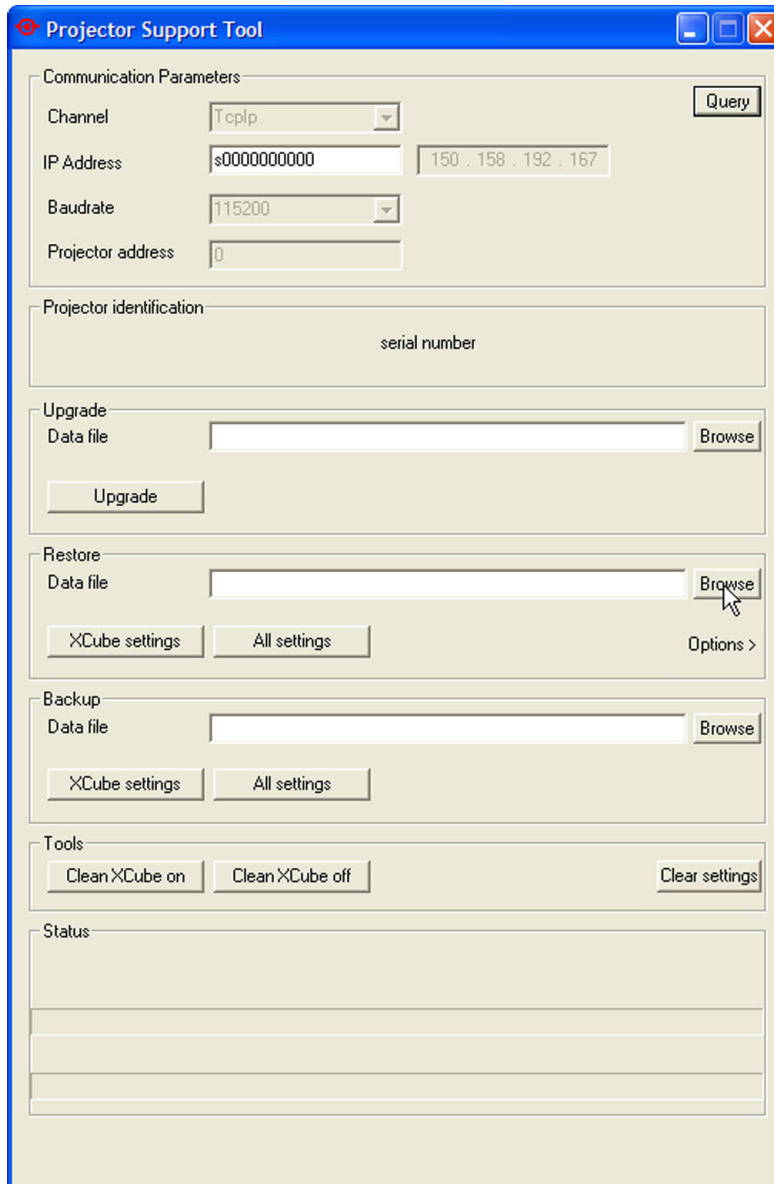


Image A-24  
Projector Support tool: hit browse in the restore section

4. Browse to the folder on the computer where the backup file is stored
5. Select the backup file and hit **Open**
6. In the *Restore* section, hit **All settings**

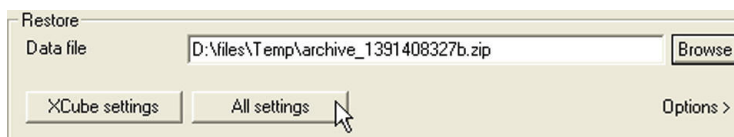


Image A-25  
Projector Support tool: browse to the backup folder

7. An overview of the files that will be restored is shown for a few seconds, but it cannot be changed

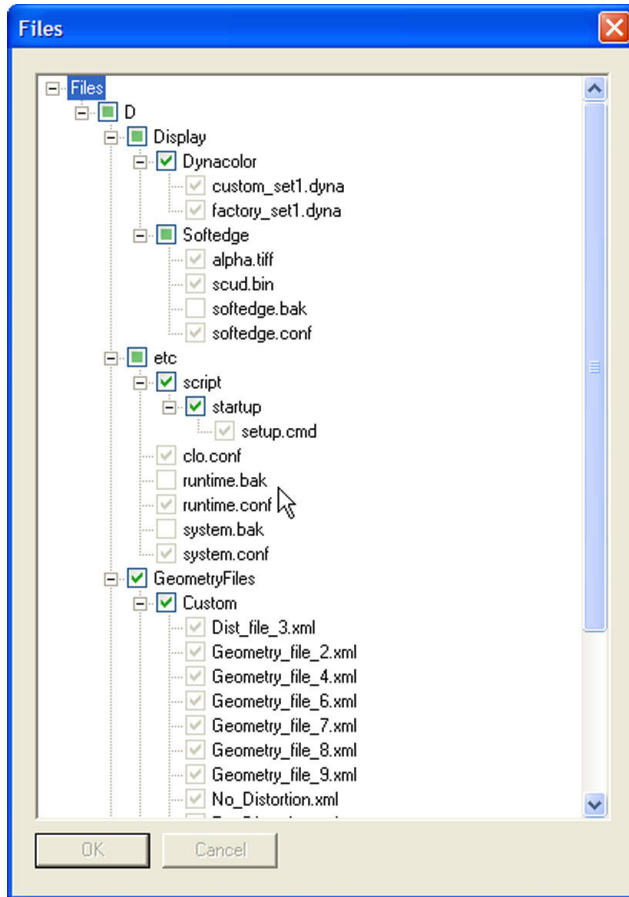


Image A-26  
Projector Support tool: overview of the files that will be restored

8. Wait for the restore process to be finished



Image A-27  
Projector Support tool: progress bar

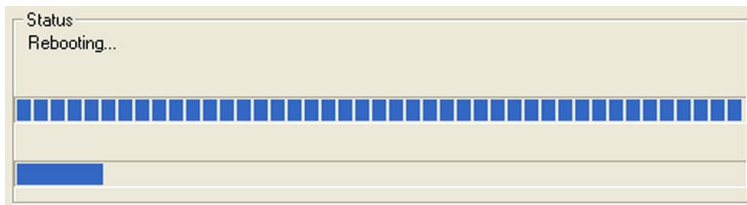


Image A-28  
Projector Support tool: reboot of the PMP after the restore



A successful restore of the backup file is indicated by a green oval, and the original serial number will be displayed in the *Projector identification* section of the user interface.

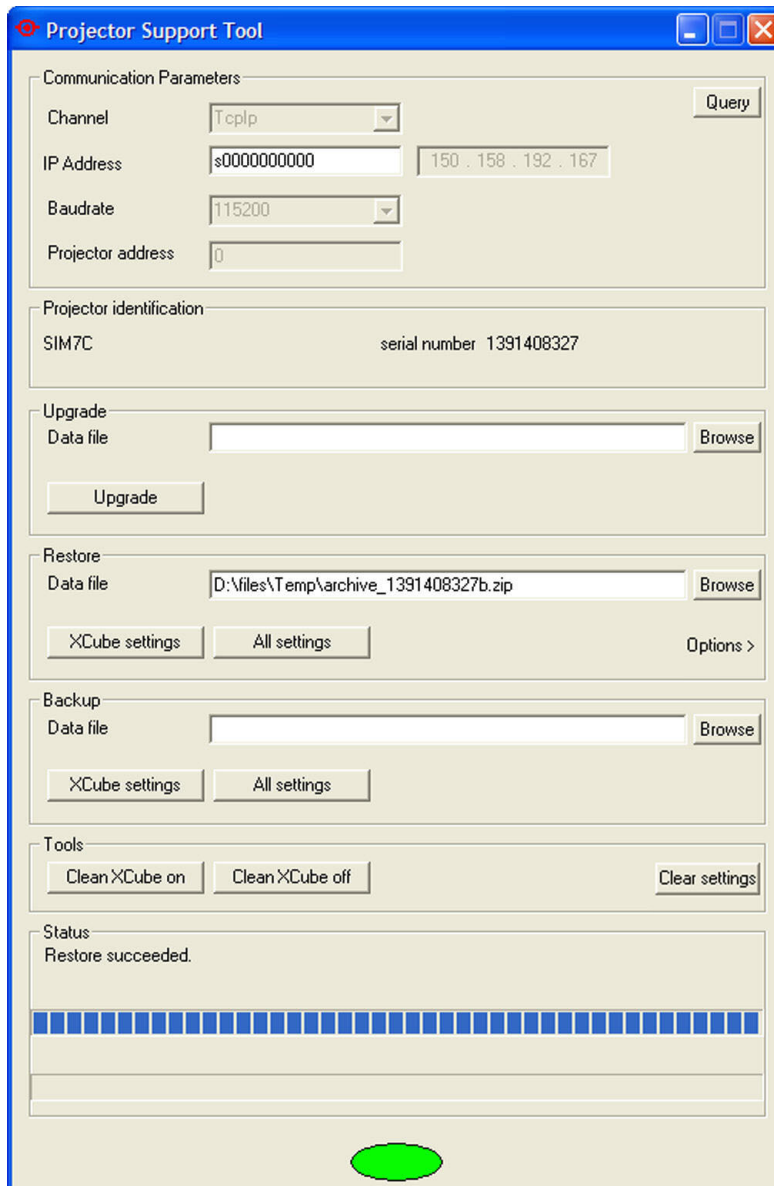


Image A-29

An error during the restore of the backup file is indicated by a brief description and a red oval. Solve the cause of the problem and retry.



---

# INDEX

## B

backup 7, 15, 18  
  making of 18  
  PMP 7

## D

description 5  
  kit 5

## I

input module 7, 12  
  installing 12  
  removing 7  
installation 5, 7  
  kit 5, 7  
installing 10, 12  
  input module 12  
  PMP 10  
introduction 5

## K

kit 5, 7  
  description 5  
  installation 5  
  installation (detailed) 7

## P

PMP 7–8, 10  
  backup 7  
  installing 10  
  replacing 7  
PMP kit 5  
Projector Support 15  
  connecting 15

## R

removing 7–8  
  input module 7  
  PMP 8  
replacing 7  
  PMP 7  
restore 13, 15, 21  
  backup 13

## S

safety 3

## U

upgrade the projector 13

## Free Manuals Download Website

<http://myh66.com>

<http://usermanuals.us>

<http://www.somanuals.com>

<http://www.4manuals.cc>

<http://www.manual-lib.com>

<http://www.404manual.com>

<http://www.luxmanual.com>

<http://aubethermostatmanual.com>

Golf course search by state

<http://golfingnear.com>

Email search by domain

<http://emailbydomain.com>

Auto manuals search

<http://auto.somanuals.com>

TV manuals search

<http://tv.somanuals.com>