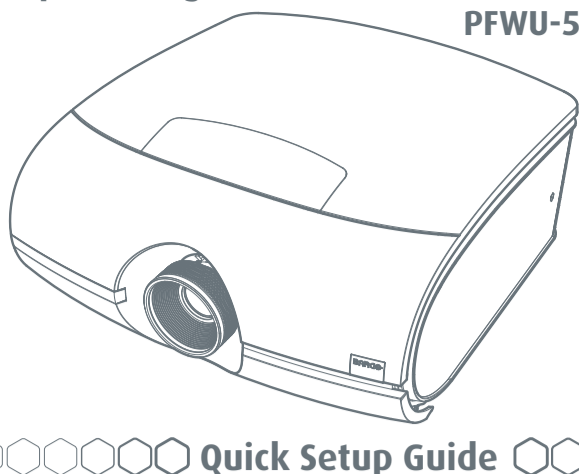


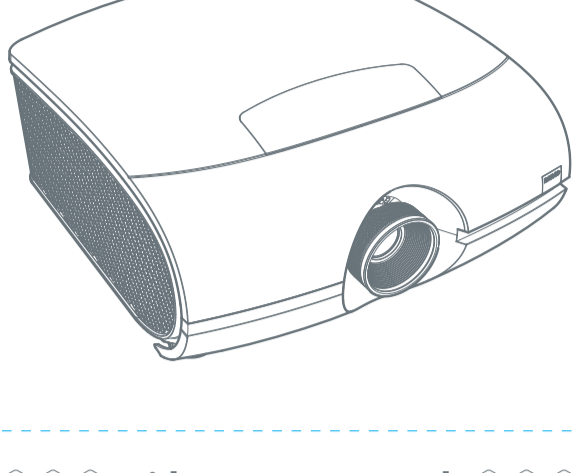
Congratulations on purchasing this product

PFWX-51B
PFWU-51B

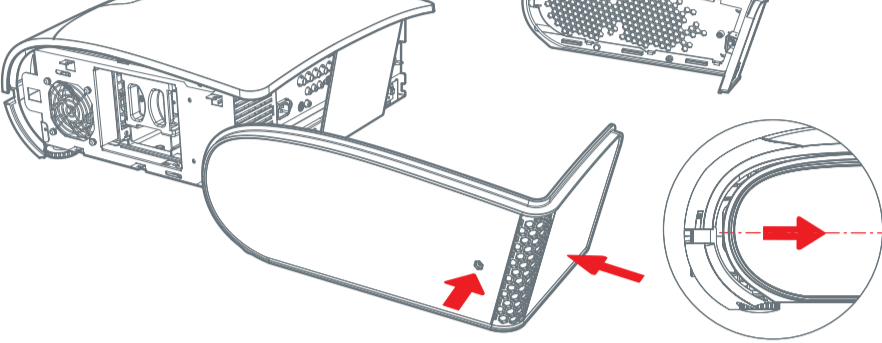


Quick Setup Guide

1 Packaging Contents



2 Side Cover Removal

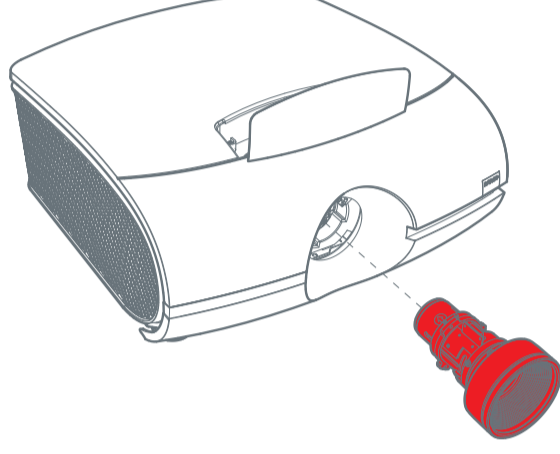


Loosen the captive screws on each of the two side panels.

Direction to release the side covers from the unit.

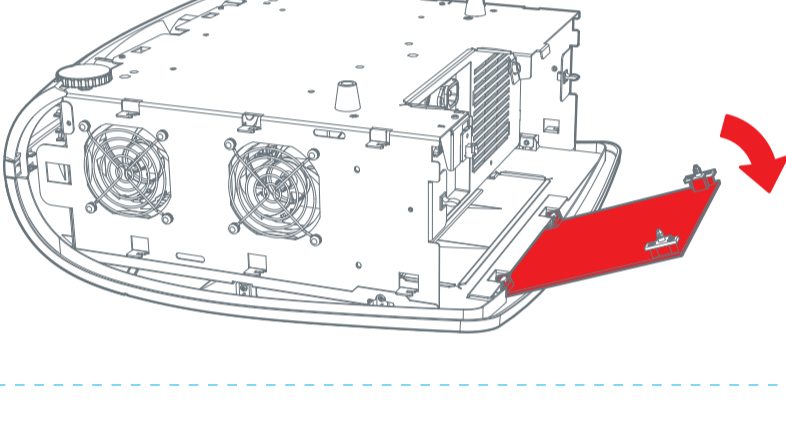
3 Lens Assembly

Warning: Please consult the full User Manual for detailed info on Lens Assembly or Lens Replacement. This should only be done by a qualified Service Technician, preferably prior to ceiling mounting.

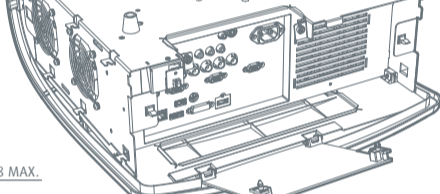
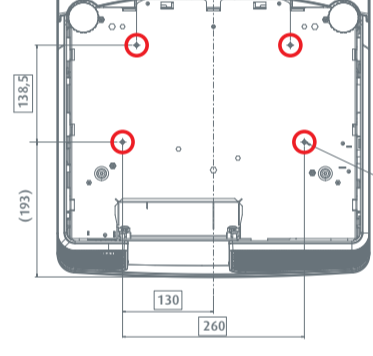


4 Rear Cover

Flip open the rear lid to gain access to the inputs panel.



5 Ceiling Mount*

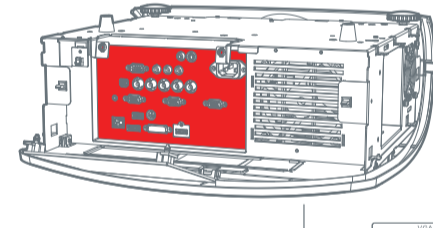


Unit Weight: 12,6 kg

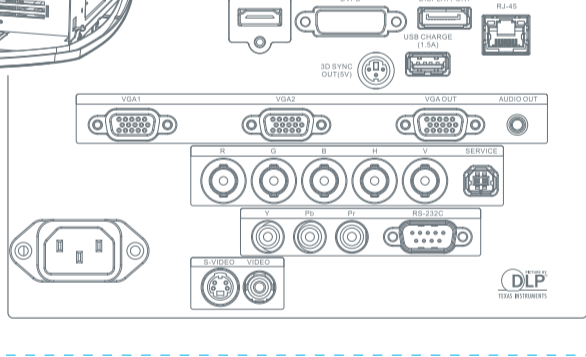
Warning: Please check the manual of your supportsystem for compatibility

* (Ceiling mount system is not included)

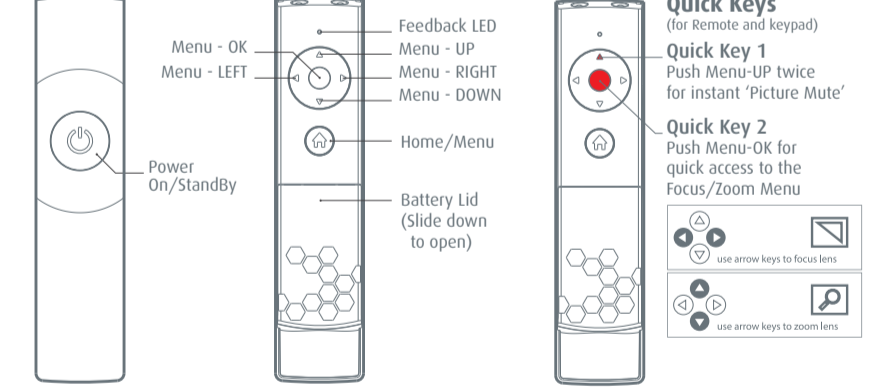
6 Input Cables



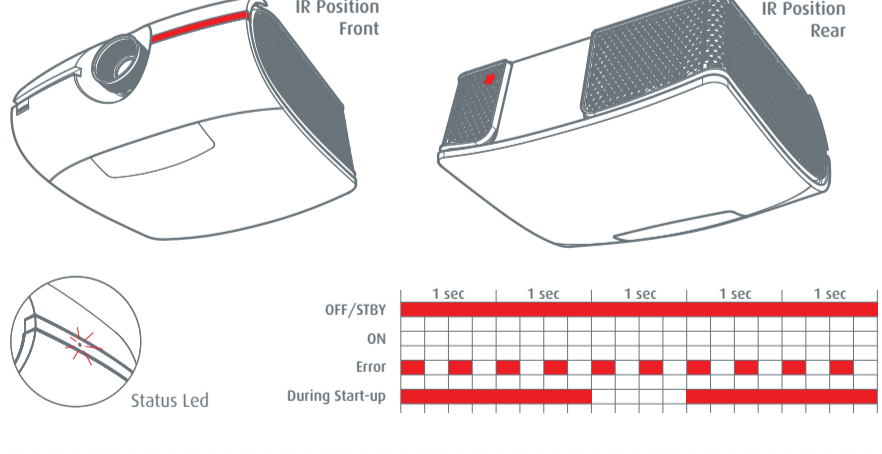
(See User Manual for detailed info on Inputs and PiP)



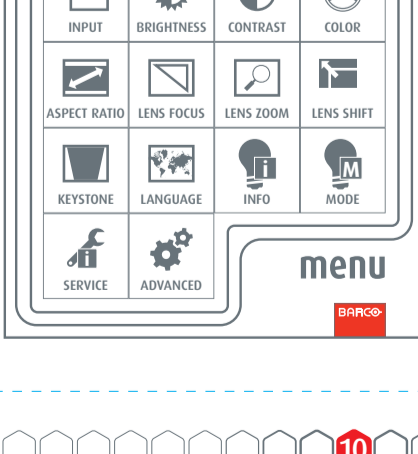
7 Remote Control



8 Starting Projector



9 OSD Lite Menu



- INPUT** _____ Toggle between input sources
- BRIGHTNESS** _____ adjust lamp brightness level
- CONTRAST** _____ adjust image contrast
- COLOR** _____ adjust image colour
- ASPECT RATIO** _____ modify image aspect ratio
- LENS FOCUS** _____ adjust lens focus
- LENS ZOOM** _____ adjust lens zoom
- LENS SHIFT** _____ adjust lens shift
- KEYSTONE** _____ adjust keystone
- LANGUAGE** _____ select language
- INFO** _____ information on lamp status
- MODE** _____ normal/eco/power
- SERVICE** _____ service information
- ADVANCED** _____ see user manual

10 Important Info

- Remove the lens before transporting the projector.
- To save lamp lifetime, first switch the projector to standby mode and wait two minutes, then switch off the main power.
- Ensure that the projector is ventilated with clean filters.
- Do not block the ventilation in -and outlets.
- Using the projector at a non recommended tilt angle will reduce the lifetime of the lamps or create unexpected behaviour of the unit.
- Laser light can cause severe damage to the DMD. This damage is not covered by warranty.



For more information and Maintenance Guidelines, check the Detailed User Manual on: <http://www.barco.com/en/products-solutions/projectors>

Free Manuals Download Website

<http://myh66.com>

<http://usermanuals.us>

<http://www.somanuals.com>

<http://www.4manuals.cc>

<http://www.manual-lib.com>

<http://www.404manual.com>

<http://www.luxmanual.com>

<http://aubethermostatmanual.com>

Golf course search by state

<http://golfingnear.com>

Email search by domain

<http://emailbydomain.com>

Auto manuals search

<http://auto.somanuals.com>

TV manuals search

<http://tv.somanuals.com>