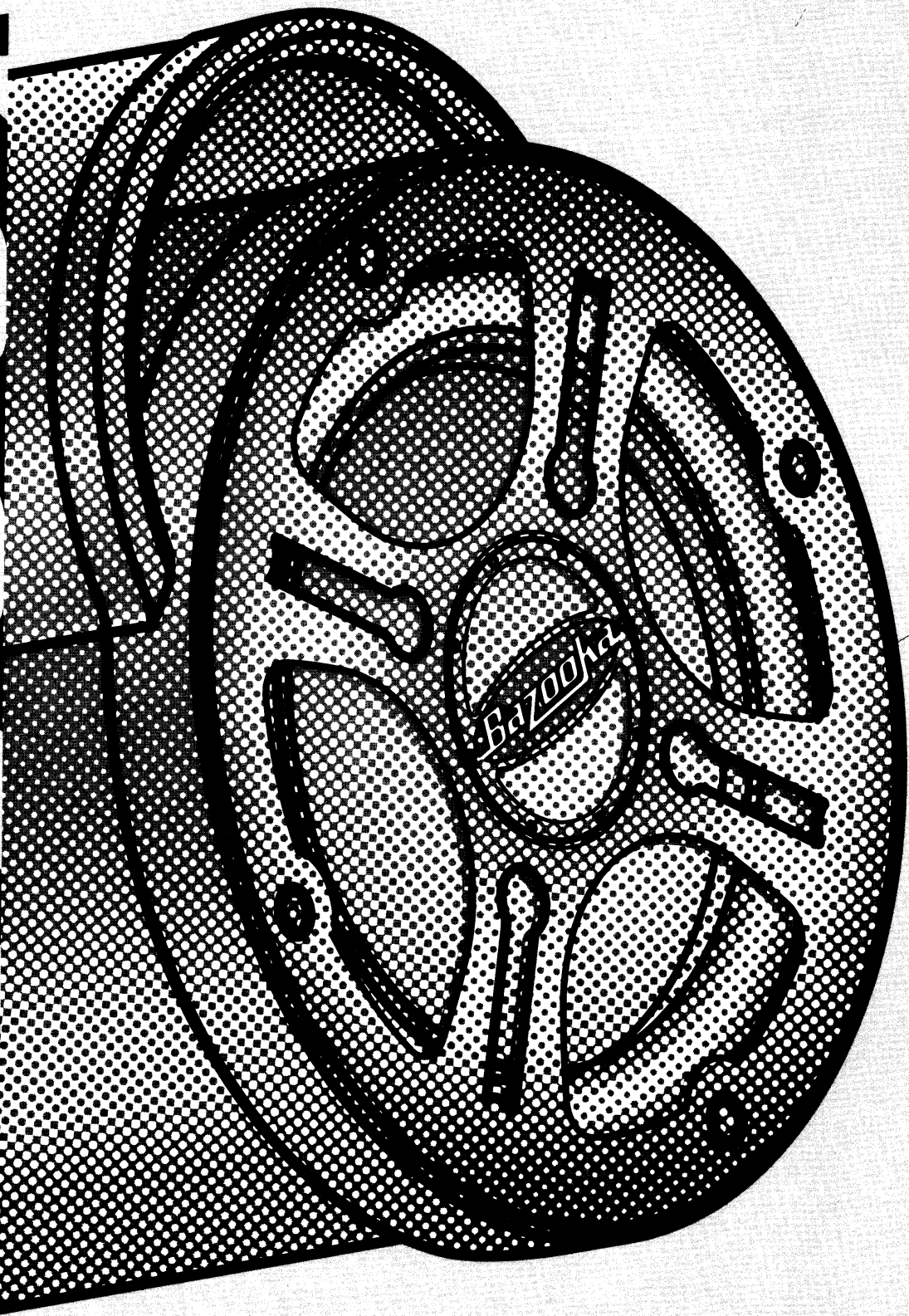


**BAZZOOKA**

**MODELS • MODÈLE N° • MODELO.**

BTA6250D/8250D/10250D

BTA8250D-DE/10250D-DE



**Installation Manual**

Dear Friend,

Thank you for selecting Bazooka® subwoofer speaker systems for your stereo system. Today, the Bazooka represents Bazooka Mobile Audio's continued commitment to efficiency and design. An innovative manufacturing process developed by SAS® for the Bazooka provides consumers with state-of-the-art speaker system design.

At SAS, we take pride in manufacturing the most revolutionary bass speaker systems ever created, featuring our patented Bass Tubes® enclosure design, and we hope you will take pride in owning them.

Several years ago, we realized that efficiency was the wave of the future in Autosound, so we made a commitment to design, manufacture, and deliver the most efficient speaker systems possible.

Today we market our patented speaker systems worldwide and the high quality of the Bazooka brand is well respected by consumers and dealers of all nationalities.

When properly installed, Bazooka subwoofer speaker systems will give you years of clean uninterrupted sound reproduction. Therefore, I urge you to take a few minutes of your time to review this instruction booklet. It was designed to give you a better understanding of our products and to explain how to apply them properly.

Thank you again for choosing Bazookas. Our early commitment to quality has made them the product of choice, and I am sure you will agree that you have made the right one! Enjoy!

Sincerely,



JON C. JORDAN  
President  
SAS/BAZOOKA

# CONTENTS

ENGLISH

HELPFUL HINTS BEFORE YOU BEGIN	PG 4
VEHICLE PLACEMENT RECOMMENDATIONS	PG 5-6
MOUNTING THE BAZOOKA	PG 7-9
WIRING DIAGRAMS	PG 10
SPECIFICATIONS	PG 11-12
FEATURES	PG 13-14
ADJUSTING CROSSOVER,SETTING LEVEL	PG 15
USING REMOTE CONTROL	
TROUBLESHOOTING	PG 16-17
WARRANTY	PG 18-19

## **HELPFUL HINTS—BEFORE YOU BEGIN**

**Please take time to read through this manual and plan out your installation before you begin!**

Locate an area in the rear of the vehicle where you would like to place the Bazooka speaker systems. The location you have selected must meet the following requirements in order for the Bazooka to be properly installed in the vehicle:

- 1) The woofer (grill end) should be facing into a corner. (See vehicle placement recommendations on pg. 5-6)
- 2) Ideally, there should be 2 to 4 inches between the woofer and the corner it is pointing into.
- 3) The mounting area should be carefully checked to be sure that the mounting screws will not damage the gas tank, electrical wiring, fuel lines, or the spare tire during the mounting of the strap bases.
- 4) The strap mounting bases should be screwed securely to a rigid surface that is part of, or anchored to, the structure of the vehicle.

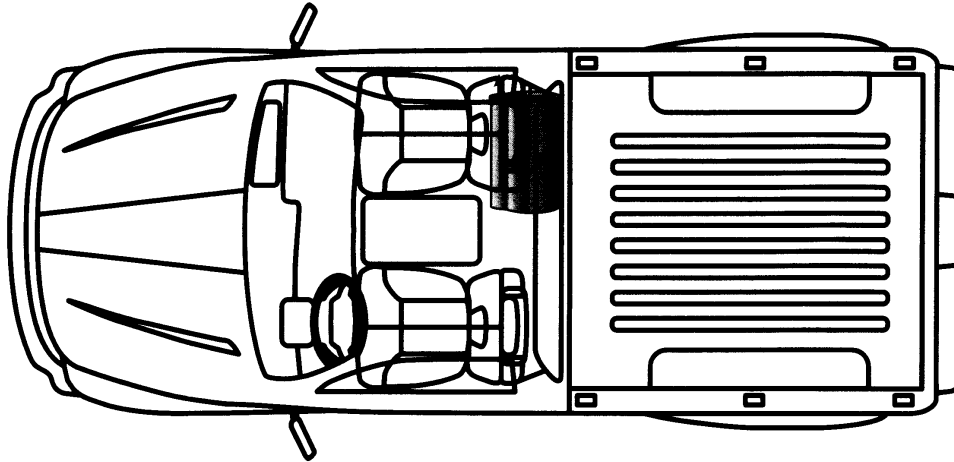
**ENGLISH**

# VEHICLE PLACEMENT RECOMMENDATIONS

ENGLISH

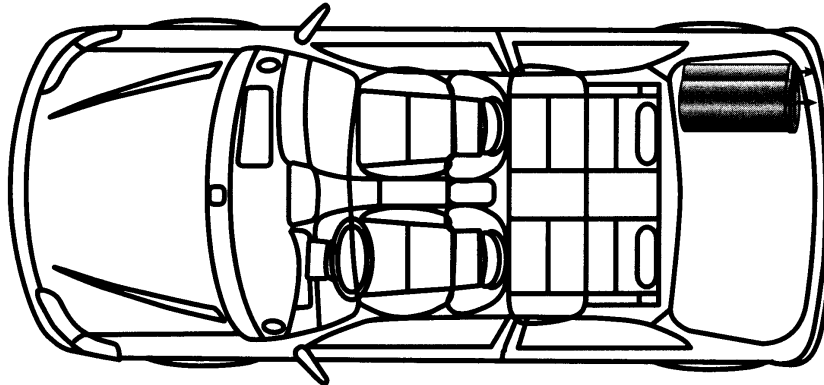
## TRUCK INSTALLATION

tube size is exaggerated for emphasis



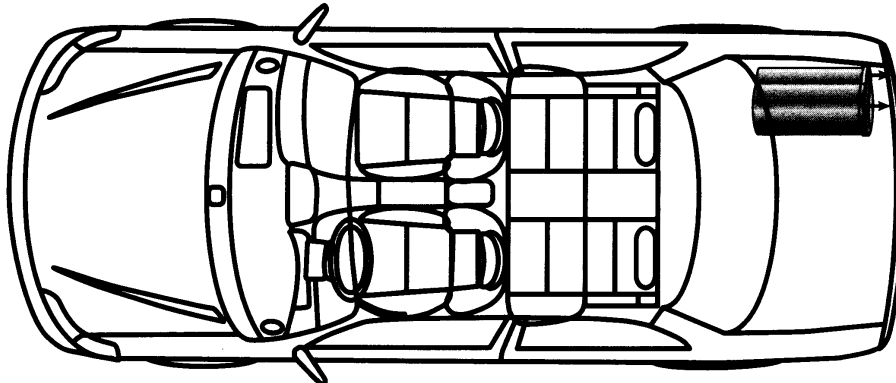
## HATCHBACK INSTALLATION

tube size is exaggerated for emphasis



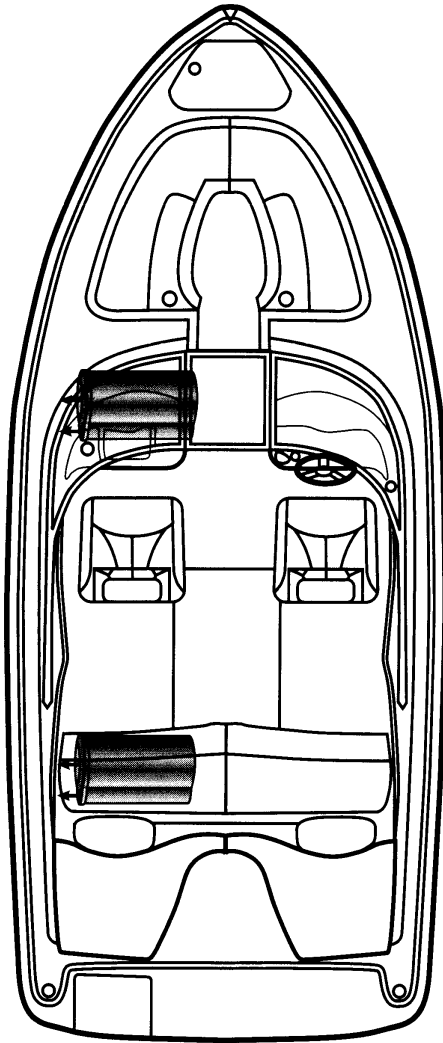
## SEDAN INSTALLATION

tube size is exaggerated for emphasis



# BOAT PLACEMENT RECOMMENDATIONS

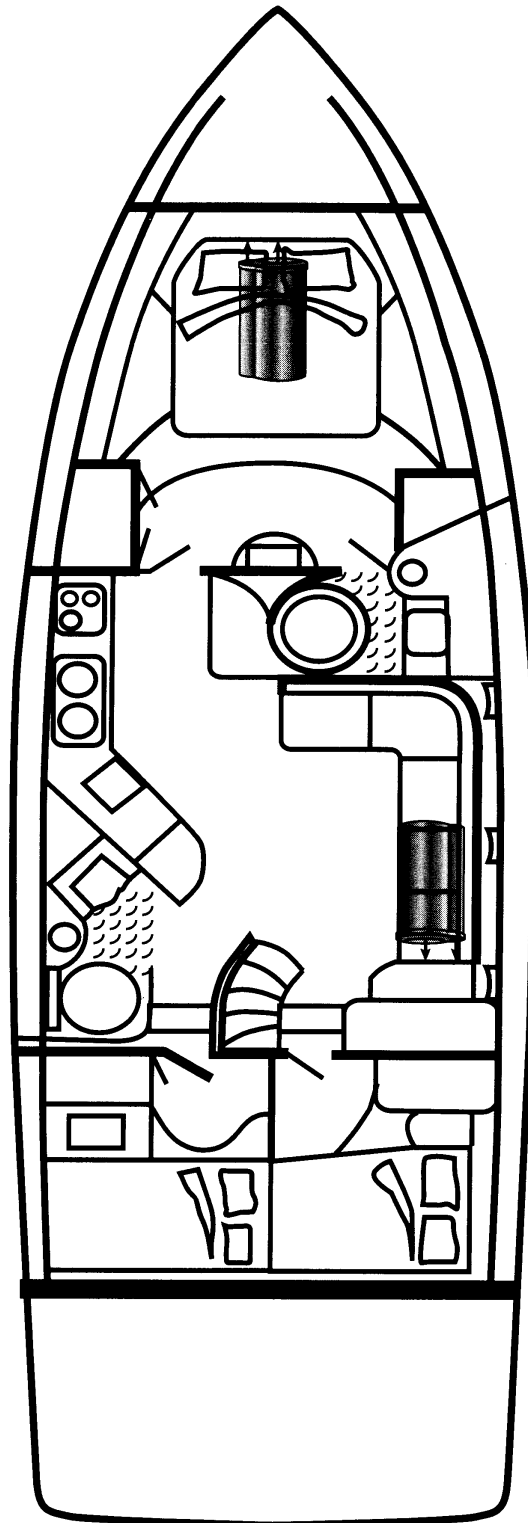
ENGLISH



## **BOW RIDER/SKI BOAT**

tube size is exaggerated for emphasis

- Under passenger console
- Under seat storage compartment



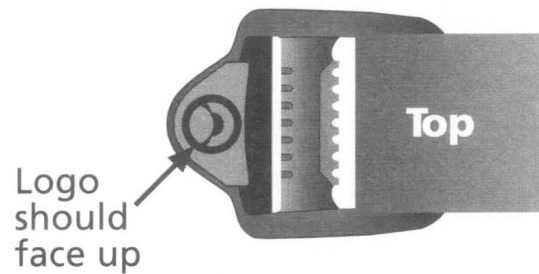
## **SPORT YACHT**

tube size is exaggerated for emphasis

- Under bed storage compartment
- Under seat storage compartment

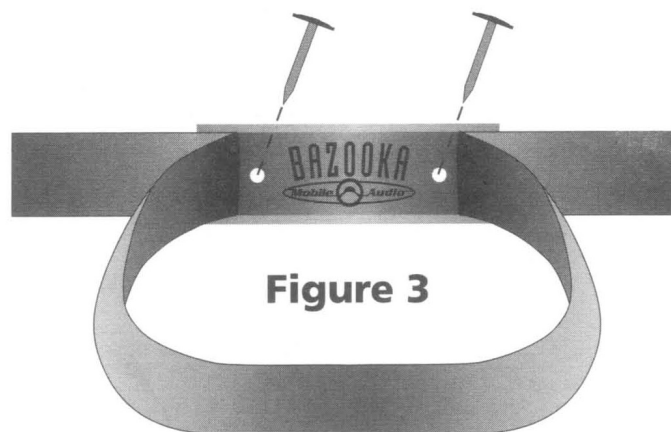
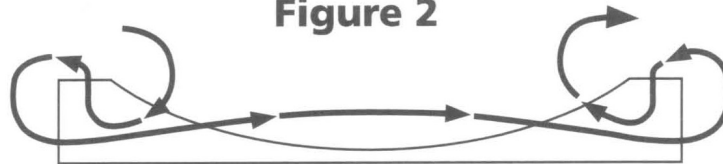
## MOUNTING THE BAZOOKA

Figure 1

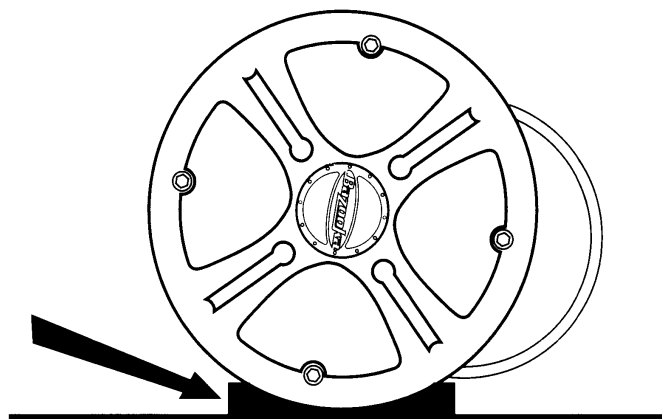


1. With the topside of the buckle facing up (see figure 1), lace the strap through the mounting base as illustrated in figure 2

Figure 2

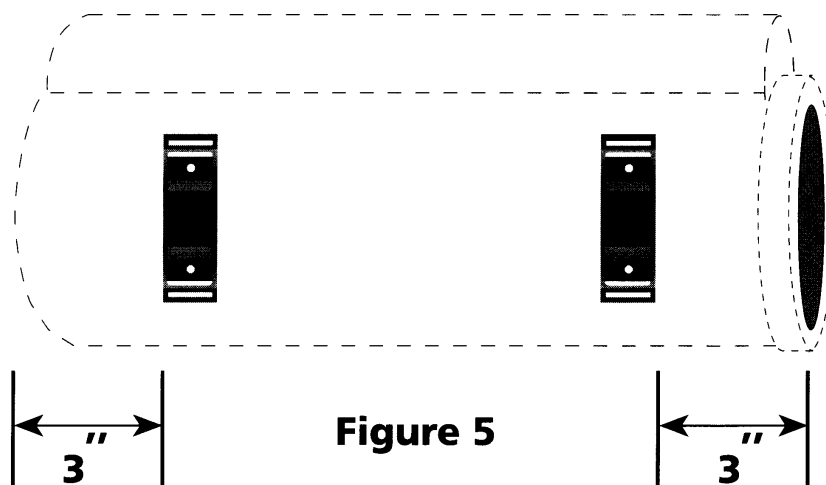


2. After the strap is completely laced through the mounting base, make a loop with the strap, where it runs across the middle of the base as illustrated in figure 3. This loop is necessary to access the two mounting holes in the base.



**Figure 4**

**3.** Place each mounting base under the Bass Tubes® enclosure so that the apex at the bottom of the tube sits inside the mounting base as in figure 4.



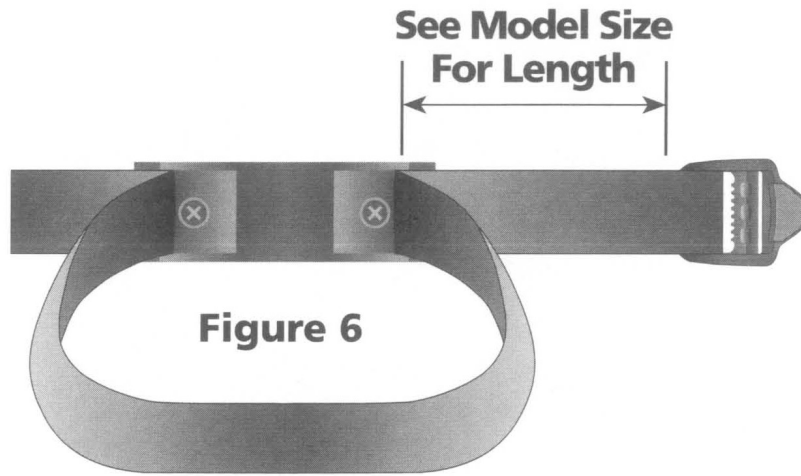
**Figure 5**

**4.** Move the bases so that they are spaced approximately 3" from each end of the enclosure as illustrated in figure 5.

**5.** Remove the Bass Tubes® enclosure without moving the mounting bases and set it aside.

**6.** Screw each mounting base securely in place with screws provided as illustrated in figure 3.

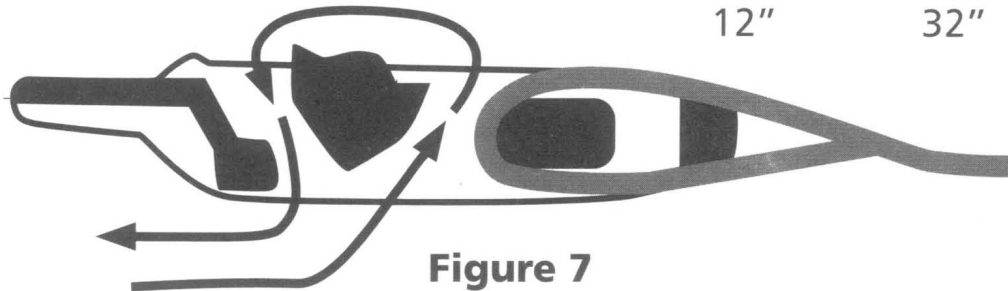




**Figure 6**

7. Remove any slack in the strap by feeding it out of the mounting base on the loose end of the strap opposite the buckle.
8. Place the Bass Tubes® enclosure on the mounting bases and fasten the buckles as illustrated in figure 7. The strap should loop through the buckle and be tightened securely by holding the strap in place with one hand and pulling the loose end away from the buckle, but against the cabinet.

Model	Length
6"	17"
8"	22"
10"	27"
12"	32"



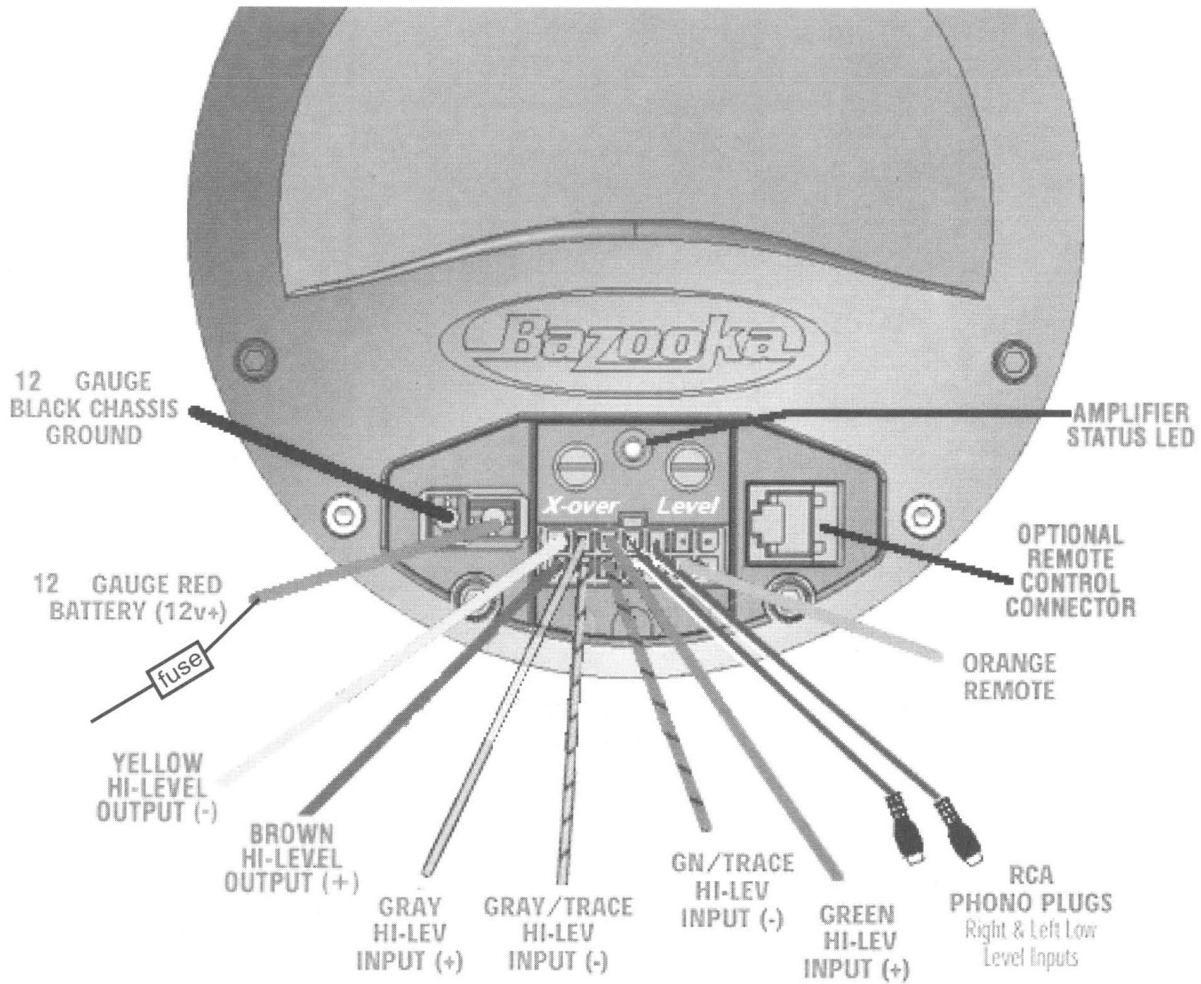
**Figure 7**

**Technical Note:**

Due to the jarring and shifting that can occur in a vehicle, the mounting straps may stretch or loosen. We recommend that you check the straps regularly to assure that your Bass Tubes® enclosure is mounted securely in place.

**BTA6250D/8250D/10250D  
8250D-DE/10250D-DE  
WIRING DIAGRAM**

**ENGLISH**



**NOTE ONE:**

**BTA6250D: fuse 20A**

**BTA8250D/8250D-DE/10250D/10250D-DE: fuse 30A**

**NOTE ONE:**

**BTA8250D-DE/10250D-DE: fuse 30A**

# **AMPLIFIED TUBE SPECIFICATIONS**

	<b>BTA6250D</b>	<b>BTA8250D/DE</b>	<b>BTA10250D/DE</b>
<b>Woofer Size</b>	<b>6.5"</b>	<b>8"</b>	<b>10"</b>
<b>Voice Coil Size</b>	<b>2 " high power./high temp.</b>	<b>2 " high power./high temp.</b>	<b>2 " high power./high temp.</b>
<b>Magnet Size</b>	<b>38 oz.</b>	<b>38 oz.</b>	<b>38 oz.</b>
<b>Frequency response*</b>	<b>50-250 hz.</b>	<b>35-250 hz.</b>	<b>30-250 hz.</b>
<b>Efficiency**</b>	<b>100 dB*</b>	<b>100 dB*</b>	<b>100 dB*</b>
<b>Power Handling</b>	<b>120 watts</b>	<b>160 watts</b>	<b>200watts</b>
<b>Dimensions</b>	<b>18.7 " x 6.75" x 8"</b>	<b>18.937" x 8.5" x 10"</b>	<b>20.456" x 10.3" x 12.2"</b>
<b>Weight</b>	<b>2.7 lbs.</b>	<b>3.08lbs.</b>	<b>3.65 lbs.</b>
<b>Impedance</b>	<b>4 ohms</b>	<b>4 ohms</b>	<b>4 ohms</b>

**MODEL FEATURES**

	<b>BTA6250D</b>	<b>BTA8250D</b>	<b>BTA10250D</b>	<b>BTA8250D-DE</b>	<b>BTA10250D-DE</b>
<b>Feature</b>					
Patented Bass Tubes® enclosure design	X	X	X	X	X
Optimized for Corner Loading	X	X	X	X	X
Water resistant enclosure	X	X	X	X	X
Fits in all vehicles	X	X	X	X	X
Upgrades any 12 volt sound system	X	X	X	X	X
Perfect for leased vehicles	X	X	X	X	X
Home audio quality sound	X	X	X	X	X
New and improved cosmetics	X	X	X	X	X
Dual voice coil inputs					
Large oversized edge roll					
Oversized magnet and motor structure					
	X				
		X			
Built-in 200 watt mosfet mono amplifier			X		
				X	
					X
Noise rejecting balanced input circuit					
Fixed 85 hz 18 dB subwoofer crossover					
Variable 60 - 250 hz subwoofer crossover	X	X	X	X	X
Built-in 12dB subsonic filter at 35 hz					
Optional remote level control	X	X	X	X	X
Optional remote crossover control	X	X	X	X	X
Optional Universal Mounting System	X	X	X	X	X
Jet black paint finish	X	X	X	X	X
Platinum colored binding posts					
One year warranty	X	X	X	X	X
Salt fog and UV certified for 5 years					
Waterproof woofers					
Stainless steel hardware					
Weather resistant velcro reinforced mounting straps					

**AMPLIFIED MODELS:  
BTA6250D,BTA8250D,BTA10250D,  
BTA8250D-DE,BTA10250D-DE**

DO NOT substitute the fuse included with the Amplified Bazooka subwoofer with anything other than the SAME fast blow current rated fuse. Substitution or deletion will void the product's warranty and may cause damage to your car or the amplifier.

**SHOULD I USE HIGH OR LOW LEVEL INPUTS?**

If the source unit has only speaker outputs, use the high-level inputs of the Amplified Bazooka subwoofer. If the source unit has both high and low level outputs, we recommend using the high level inputs over the low level inputs, due to the configuration of the Amplified Bazooka subwoofer's balanced input circuit. Not all head units, even those that promise high output voltage in their marketing materials, indeed have high-voltage RCA outputs. Because of this, Bazooka Mobile Audio recommends using the speaker level inputs when in doubt—they will always provide sufficient drive level to the amplifier. PLEASE NOTE THAT THE WIRING IN A FACTORY STEREO MAY NOT BE ELECTRICALLY IN PHASE EVEN WHEN YOU HAVE MADE THE PROPER CONNECTIONS.

Take the time after you make your wire connections to run through the quick phase check procedure in the "AM I IN PHASE?" section at the end of this manual, and NEVER USE BOTH high and low-level inputs at the same time!

**INPUT SIGNAL CONNECTIONS****High-Level Inputs:**

If the source unit has both front and rear speaker outputs, use only one set of speaker outputs for the high-level input of the Amplified Bazooka. Connect the GREEN wire from the 14-pin Molex plug of the Amplified Bazooka subwoofer to the source units left (+) positive speaker output. Connect the GREEN W/BLACK stripe wire of the plug to the source units left (-) negative speaker output. Connect the GRAY wire of the plug to the source units right (+) positive speaker output. Connect the GRAY W/BLACK stripe wire of the plug to the source units right (-) negative speaker output. When using high-level inputs, take the time after you make all wiring connections to run through the AM I IN PHASE

procedure at the end of this manual to confirm that your inputs are in correct electrical phase and the proper bass response is being produced.

### **Low-Level Inputs:**

If your source unit only has low-level RCA phono jack output, use only the low-level inputs of the Amplified Bazooka. Connect the low-level RCA phono jack inputs of the Amplified Bazooka subwoofer to the source with a shielded RCA patch cord. To avoid possible noise problems, be sure to run the patch cord away from all power wires and factory wire harnesses. When using the low-level inputs DO NOT make any connections to the Green and Gray high-level input wires of the Amplified Bazooka subwoofer and make sure these wires are insulated to avoid the possibility of a short circuit.

### **POWER WIRE (All Models)**

The power wire must be fused and connected directly to the positive terminal of the battery to provide a power source with a low voltage drop and low noise. Do not make the power connection at the fuse block or any point other than the battery. Improper power sources can reduce output and cause distortion.

The fuse holder should be connected to the battery's positive terminal. The fuse is designed to prevent fire or damage to your car, should the battery wire short to ground. Wait to insert the fuse into its holder until all wire connections have been made.

If it is necessary to lengthen the battery wire, add the required length between the amplifier and the fuse holder, not the fuse holder and the battery. If you need to extend the battery wire, use 12 gauge or larger for. It is best to use as short a wire as possible.

Be sure you DO NOT run the power wire next to the input cables of the amplifier this will induce noise. Avoid running the power wire near the radio's antenna or power leads, or near sensitive equipment or harnesses. The power wire carries substantial currents and could induce noise.

### **GROUND WIRE (All Models)**

The ground wire must be connected directly to the vehicle chassis near the amplifier. We do not recommend extending the ground wire in any installation, as this can cause unwanted ground loops.

The ground point in the car should be a piece of chassis metal that is part of or welded to the main body of the vehicle. Painted surfaces should be scraped or sanded clean to expose the bare metal before the ground lug is bolted down. (Cover the bare metal area with paint

or grease after you finish mounting the ground wire to prevent rust.)

## REMOTE TURN ON

**When you are using this option with all amplified Bass Tubes® models:** For the most versatility the Orange Remote Turn On Wire should be connected to the source unit's "Accessory", "Auto-Antenna" or "Remote" lead -- any of which will supply 12 Volts positive when the source is turned on.

## ADJUSTING THE CROSSOVER

The built-in crossover on the Amplified Bazooka subwoofer is an electronic low pass filter, it has a 60 Hz to 250 Hz variable crossover point. Select the crossover point that you feel best fits your system design. Set the potentiometer labeled XOVER to the point you selected, 60 Hz being all the way to the left (counterclockwise) and 250 Hz being all the way to the right (clockwise). When you have set the crossover, proceed to the next step.

## SETTING THE LEVEL

Locate the potentiometer labeled LEVEL. This is the level control. Start with the level control turned all the way to the left (counterclockwise). The bass should be off or very low at this point. Turn up your head unit until the sound from the existing speakers starts to clip or distort. This is the point in your system where you will get maximum volume with the least amount of distortion. With the head unit at this point, turn the level gain control up slowly until the bass volume blends well with the existing high frequency speakers. This should be the proper setting for the level gain control. Now that the level is set, you may want to go back to the x-over control and adjust the x-over point by ear to meet the desired sonic quality of your system design.

## LED POWER INDICATOR

If power, ground and remote are connected properly, the LED light will illuminate.

**WHITE** = OFF

**GREEN** = NORMAL OPERATION

**RED** = PROTECTION MODE

## OPTIONS(ALL MODELS)

### Remote Bass Control and Crossover (RBCM-250D):

If you find you like to vary the crossover point in addition to changing the level of BASS depending on what you are listening to and want an easy way to make this possible, you can purchase an optional Remote Level and Crossover Control.

These Remote Controls are accessories that are available from your Bazooka dealer or directly from Bazooka. Be sure to check out other optional accessories for your Bazooka at

## TROUBLESHOOTING

### **Am I In Phase?**

If your inputs are out of phase and you turn the balance control of your radio all the way to one side, right or left, the bass output from the Bazooka® will increase. When you bring the balance control back to the center position the bass level will drop. This confirms that one of your input channels is wired out of phase with the other.

When one of the Amplified Bazooka's High-level Input channels is out of phase electrically with the other High-level Input channel, your Bazooka will sound as if it has little or no output and any output that is produced may sound distorted. If you suspect that your Bazooka is out of phase, use the AM I IN PHASE procedure to diagnose and correct the Bazookas' output, and proper bass response will be produced. channels is wired out of phase with the other. To correct this situation, simply flip the phase switch on the amplified Bazooka®. When the input signal is in correct electrical phase, the level of bass output will be greatest when the balance control of the radio is set to the center position.

### **Do You Have A Phase Problem?**

If the bass response in your application appears to be lower than you expected or sounds muffled and or distorted, you may be experiencing Phase Cancellation.

### **Phase Cancellation**

When two speakers in the same frequency range produce sound waves that are inverted from one another or 180° out of phase, the sound waves will cancel each other out to some degree. This effect will be heard as a drop in the output level and/or a muffled or muddy quality in the Bass Response. The source of this Phase Cancellation can be at any point in the signal path. The obvious cause of this problem would be a speaker connection that was reversed in polarity, but that is not always the case. Sometimes amplifier channels will shift phase 180° for no good reason, or a signal processor could have a setting for phase that has been set incorrectly or the



source material could just be recorded in error. Also speaker placement and the acoustics of the listening environment can effect the phase. No matter what or where the cause is located, the solution is an easy one.

### **PHASE CORRECTING PROCEDURE**

Disconnect all but one Bazooka® from your system. Be sure that any loose wire connections are insulated to avoid the chance of short-circuiting any of the electronic equipment. Listen to the system and take note of the level of the Bass Response. Connect the next Bazooka® and compare the level of the combined output to that of the single unit. If the Bass Response increases, the Phasing is correct and you can repeat this process on the next Bazooka. If the level of the Bass Response drops, the Phasing is incorrect and you should reverse the speaker connections to this Bazooka® and compare again. In short to **INCREASE IS GOOD**, to **DECREASE IS BAD!** Using this method, any number of Bazooka® subwoofers can be kept in absolute phase.

### **PRACTICE SAFE LISTENING**

Continuous exposure to high volumes of sound may cause permanent hearing loss. High-powered auto sound systems are capable of producing sounds well over 130 dB. Even short periods of play at high volume levels can impair your ability to hear necessary traffic sounds and may constitute a hazard. Please use common sense and practice **SAFE LISTENING!**

## **LIMITED WARRANTY (UNITED STATES)**

**Southern Audio Services, Inc.**, warrants all products to be free from defects in material and workmanship for a period of one (1) year from the date of purchase.

**In the event the product is not as warranted, SAS' sole obligation shall be to repair or replace the defective product at SAS' option: SAS limits its obligation under any implied warranties under state laws to a period not to exceed the limited warranty period. SAS and its authorized BAZOOKA® dealers specifically disclaim liability for any incidental or consequential damages. Some states do not allow limitations on how long an implied warranty lasts, and some states do not allow the exclusion or limitation of incidental or consequential damages, so the above limitation or exclusions may not apply to you. This warranty gives you specific legal rights, and you may have other rights, which vary from state to state.**

### **What is covered:**

This warranty covers all defects in materials or workmanship (parts and labor) in the product.

### **What is not covered:**

This warranty does not cover the following:

1. Damages occurring during shipment of the product to SAS for repair (claims must be presented to the carrier).
2. Damages caused by accident, abuse, negligence, misuse or improper operation or installation.
3. Damages caused by an act of God, including without limitation, fire, flood, storms, or other acts of nature.
4. Any product, which has a serial number, defaced, altered, modified, or removed.
5. Any product that has been altered or modified without SAS' consent.

### **How to obtain warranty services:**

1. You are responsible for delivery of the product to an authorized BAZOOKA® dealer or contact SAS at 1-800-THE TUBE for a Return Authorization number. The Return Authorization number must be clearly written on the outside of the box. Freight must be prepaid to SAS. Warranty replacement parts will be returned freight prepaid. The entire enclosure may be returned for warranty service, but return will be freight collect.
2. You must provide proof of the date of purchase of the product. If proof of purchase is not provided, original date of manufacture will be used to determine warranty period.
3. You must package the product securely to avoid damage during shipment.
4. After acquiring a Return Authorization number, ship to the address below.

**PLEASE RETURN THIS PORTION IMMEDIATELY**

---

MODEL#

---

SERIAL#

---

PURCHASE DATE

---

DEALER PURCHASED FROM

---

DEALER ADDRESS

---

TELEPHONE

---

PURCHASERS NAME

---

STREET ADDRESS

---

CITY

---

STATE

ZIP

---

TELEPHONE

---

E-MAIL

PLACE  
STAMP  
HERE



SOUTHERN AUDIO SERVICES, INC.  
14763 FLORIDA BLVD.  
BATON ROUGE, LA 70819

## Free Manuals Download Website

<http://myh66.com>

<http://usermanuals.us>

<http://www.somanuals.com>

<http://www.4manuals.cc>

<http://www.manual-lib.com>

<http://www.404manual.com>

<http://www.luxmanual.com>

<http://aubethermostatmanual.com>

Golf course search by state

<http://golfingnear.com>

Email search by domain

<http://emailbydomain.com>

Auto manuals search

<http://auto.somanuals.com>

TV manuals search

<http://tv.somanuals.com>