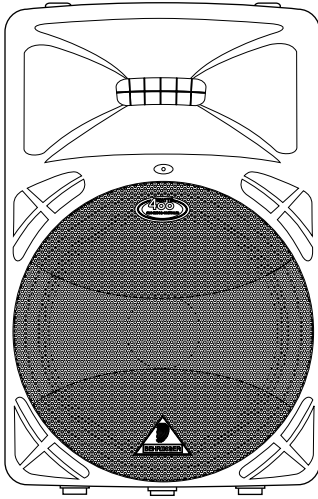


User Manual



Thank you

Thank you very much for expressing your confidence in BEHRINGER products by purchasing the EUROLIVE B312A/B315A. This active and extremely compact loudspeaker has been designed specifically for those applications in which space is a problem. The compact dimensions and the low weight, despite the high-performance power amp give this product maximum flexibility. The input section accepts both line-level or microphone-level sources. Additionally, the loudspeaker has a 2-band equalizer for accurate high and lowfrequency control. All of these features make this loudspeaker a high-quality and highly reliable companion on the road.

This manual is available in English, German, French, Spanish, Italian, Russian, Polish, Dutch, Finnish, Swedish, Danish, Portugese, Greek, Japanese and Chinese. There may also be more current versions of this document. Download them by going to the appropriate product page at:

www.behringer.com

A50-78913-00004

EUROLIVE B312A/B315A

Processor-Controlled 400-Watt 2-Way PA Speaker System with 12"/15" Woofer and 1.75" Titanium Compression Driver

Table of Contents

Thank you	1
Important Safety Instructions	2
1. Before You Get Started	3
1.1 Shipment.....	3
1.2 Initial operation	3
Important notes concerning installation	3
1.3 Online registration	3
2. Control Elements and Connections	3
3. Application Examples	5
3.1 Using a mixing console.....	5
3.2 Using several B312A/B315A loudspeakers.....	5
3.3 Direct connection of a stereo signal source	5
4. Installation	5
5. Specifications	6
Legal Disclaimer	6
Warranty	7



Important Safety Instructions



Caution

This symbol, wherever it appears, alerts you to the presence of uninsulated dangerous voltage inside the enclosure - voltage that may be sufficient to constitute a risk of shock.



Caution

This symbol, wherever it appears, alerts you to important operating and maintenance instructions in the accompanying literature. Please read the manual.



Caution

- ◆ To reduce the risk of electric shock, do not remove the top cover (or the rear section). No user serviceable parts inside. Refer servicing to qualified personnel.
- ◆ To reduce the risk of fire or electric shock, do not expose this appliance to rain and moisture. The apparatus shall not be exposed to dripping or splashing liquids and no objects filled with liquids, such as vases, shall be placed on the apparatus.
- ◆ These service instructions are for use by qualified service personnel only. To reduce the risk of electric shock do not perform any servicing other than that contained in the operation instructions. Repairs have to be performed by qualified service personnel.



Caution

- 1 Read these instructions.
- 2 Keep these instructions.
- 3 Heed all warnings.
- 4 Follow all instructions.
- 5 Do not use this apparatus near water.
- 6 Clean only with dry cloth.
- 7 Do not block any ventilation openings. Install in accordance with the manufacturer's instructions.
- 8 Do not install near any heat sources such as radiators, heat registers, stoves, or other apparatus (including amplifiers) that produce heat.
- 9 Do not defeat the safety purpose of the polarized or grounding-type plug. A polarized plug has two blades with one wider than the other. A grounding-type plug has two blades and a third grounding prong. The wide blade or the third prong are provided for your safety. If the provided plug does not fit into your outlet, consult an electrician for replacement of the obsolete outlet.
- 10 Place the power cord so that it is protected from being walked on and sharp edges. Be sure that the power cord is protected particularly at plugs, convenience receptacles and the point where it exits from the apparatus.
- 11 Use only attachments/accessories specified by the manufacturer.
- 12 Use only with the cart, stand, tripod, bracket, or table specified by the manufacturer, or sold with the apparatus. When a cart is used, use caution when moving the cart/apparatus combination to avoid injury from tip-over.
- 13 Unplug this apparatus during lightning storms or when unused for long periods of time.
- 14 Refer all servicing to qualified service personnel. Servicing is required when the apparatus has been damaged in any way, such as power supply cord or plug is damaged, liquid has been spilled or objects have fallen into the apparatus, the apparatus has been exposed to rain or moisture, does not operate normally, or has been dropped.
- 15 The apparatus shall be connected to a MAINS socket outlet with a protective earthing connection.
- 16 Where the MAINS plug or an appliance coupler is used as the disconnect device, the disconnect device shall remain readily operable.



WARNING

THIS EQUIPMENT IS CAPABLE OF DELIVERING SOUND PRESSURE LEVELS IN EXCESS OF 90 dB, WHICH MAY CAUSE PERMANENT HEARING DAMAGE.

1. Before You Get Started

1.1 Shipment

Your product was carefully packed at the factory to ensure safe transport. Nevertheless, if the box is damaged inspect the unit immediately for signs of damage.

If the unit is damaged please do NOT return it to us, but notify your dealer and the shipping company immediately; otherwise, claims for damage or replacement may not be granted.

- ◆ Always use the original box to prevent damage during storage or transport.
- ◆ Make sure that children cannot play unsupervised with the unit or its packaging.
- ◆ Please ensure proper disposal of all packing materials.

1.2 Initial operation

Ensure adequate air supply and to avoid overheating do not place the unit near radiators etc.

- ◆ Blown fuses must be replaced by fuses of the correct rating! Please refer to the “Specifications” section for the applicable rating.

For connection to the mains use the enclosed power cord with cold connector which complies with the relevant safety regulations.

- ◆ Please make sure that all devices are properly grounded. For your own safety, never remove or disable the ground conductors from the devices or on the power cords. The unit must always be connected to the mains outlet with a protective grounding connection.



Caution

- ◆ This loudspeaker is capable of producing extreme volumes. Please keep in mind that high sound pressures do not only temporarily damage your sense of hearing, but can also cause permanent hearing damage. Be careful to select a suitable volume at all times.

Important notes concerning installation

- ◆ The sound quality may diminish within the range of powerful broadcasting stations and high-frequency sources. Increase the distance between the transmitter and the device and use shielded cables for all connections.

1.3 Online registration

Please register your new BEHRINGER equipment right after your purchase by visiting <http://www.behringer.com> and read the terms and conditions of our warranty carefully.

Should your BEHRINGER product malfunction, it is our intention to have it repaired as quickly as possible. To arrange for warranty service, please contact the BEHRINGER retailer from whom the equipment was purchased. Should your BEHRINGER dealer not be located in your vicinity, you may directly contact one of our subsidiaries. Corresponding contact information is included in the original equipment packaging (Global Contact Information/European Contact Information). Should your country not be listed, please contact the distributor nearest you. A list of distributors can be found in the support area of our website (<http://www.behringer.com>).

Registering your purchase and equipment with us helps us process your repair claims more quickly and efficiently.

Thank you for your cooperation!

2. Control Elements and Connections

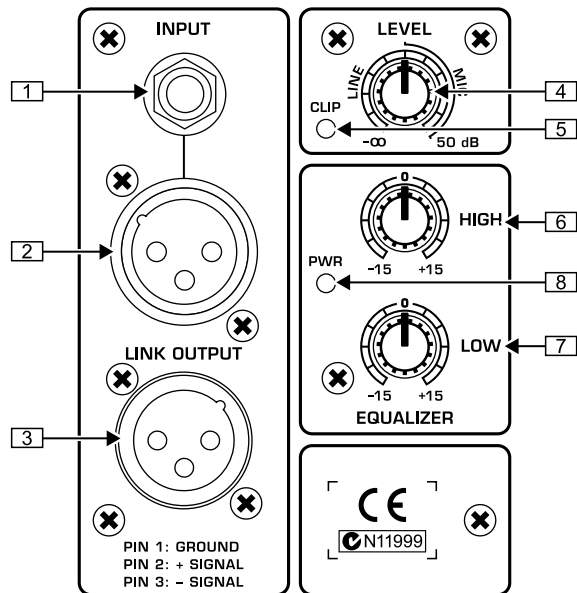


Fig.2.1: Control elements and connections (B312A and B315A)

- 1 Use this ¼" stereo jack to connect a signal source that has ¼" output.
- 2 Use this XLR connector to connect a signal source that has XLR output.
- ◆ Always use either the XLR or the ¼" jack input, and use the LEVEL control 4 to adapt the input sensitivity. Never use both inputs at the same time!

- ③ The *LINK OUTPUT* is directly connected to the inputs of the B312A/B315A and carries the input signal with no processing applied. In this way, you can route the signal to the input of another device (for example, a second B312A/B315A)
- ④ To set the volume of the *LINE* or *MIC* signal, use the *LEVEL* control. The left half of the control range is for attenuating the *LINE* signal. The right half is for raising the level of the *MIC* signal.
- ⑤ The *CLIP* LED lights up when signal distortion occurs. Reduce the volume with the *LEVEL* control until the *CLIP* LED does not light up any more, or occasionally lights up at signal peaks.
- ◆ We would like to draw your attention to the fact that extremely loud sound levels may damage your hearing as well as your headphones/loudspeakers. Turn the *LEVEL* control fully to the left before you switch on the unit. Be careful to select a suitable volume at all times.
- ⑥ The *HIGH* control adjusts the high-frequency range.
- ⑦ Use the *LOW* control to raise the level of the low-frequency range.
- ⑧ The *PWR* LED lights up when the loudspeaker is put into operation.

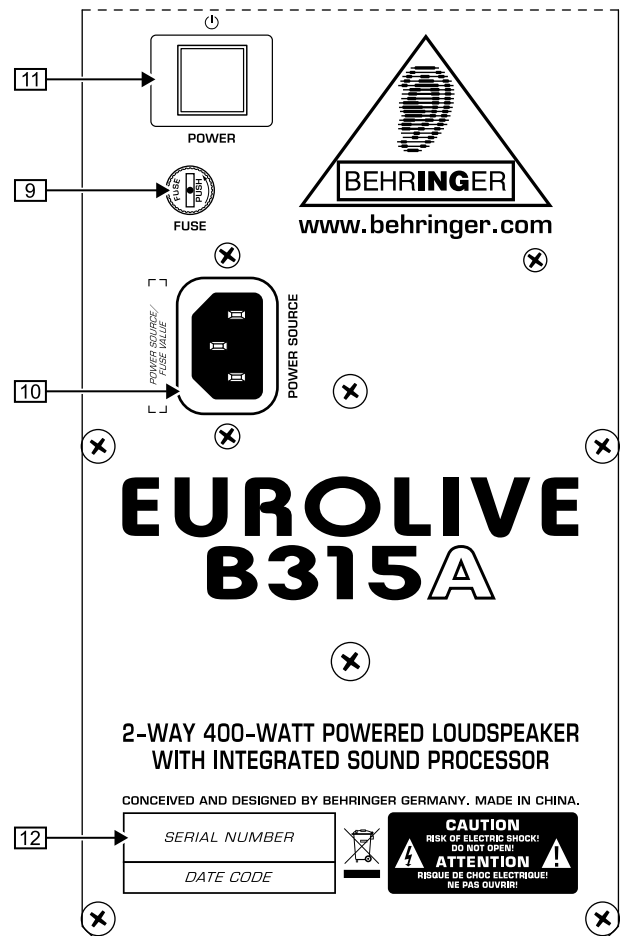


Fig.2.2: Control elements and connections B312A and B315A)

- ⑨ You can replace fuses at the *FUSE SWITCH* of the B312A/B315A. Always replace fuses with the same type. Please follow the instructions given in the chapter “Specifications.”
- ⑩ The mains connection is established using a cable with an *IEC* mains connector. This cable is delivered with the B312A/B315A. To avoid ground-loop hum, loudspeakers and mixing consoles should be connected to the same power circuit.
- ⑪ Press *POWER* to turn on your B312A/B315A.
- ◆ The *POWER* switch does not fully disconnect the unit from the mains. To disconnect the unit from the mains, pull out the main cable plug or appliance coupler. When installing the product, ensure the plug or appliance coupler is readily operable. Unplug the power cord completely when the unit is not used for prolonged periods of time.
- ⑫ *Serial number*

3. Application Examples

- ◆ Turn the **LEVEL** control fully to the left before you switch on the unit with the **POWER** switch. Then, raise the volume to a suitable level.

3.1 Using a mixing console

A common way to use 2 B312A/B315A loudspeakers is with a mixing console. In this case, connect each of the main outputs that are on the mixing console to a B312A/B315A loudspeaker. The B312A/B315A includes XLR and ¼" connectors. To avoid interference, use only XLR or ¼" jack cables.

3.2 Using several B312A/B315A loudspeakers

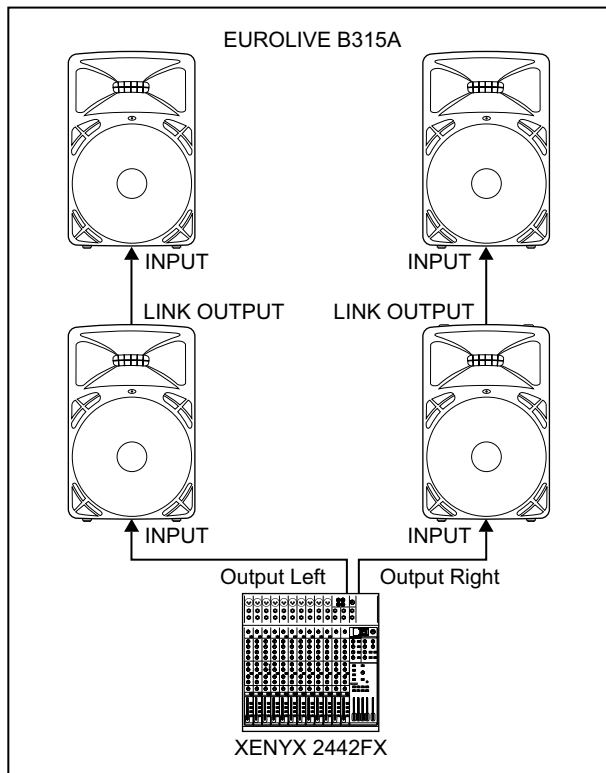


Fig. 3.1: Wiring several B312A/B315A loudspeakers using the LINK OUTPUT connector

For larger rooms, you can connect several B312A/B315A speakers using the LINK OUTPUT connector [3](#) (see fig. 3.1).

3.3 Direct connection of a stereo signal source

When you use two B312A/B315A loudspeakers, you can directly connect one stereo signal source, for example, a CD player.

In this case, each of the speakers is connected to 1 signal-source output. (If necessary, use the appropriate adaptor.)

4. Installation

Both audio inputs of the BEHRINGER B312A/B315A and the LINK OUTPUT connector are fully balanced. To maximize interference compensation, try to establish balanced connections to other equipment, whenever possible.

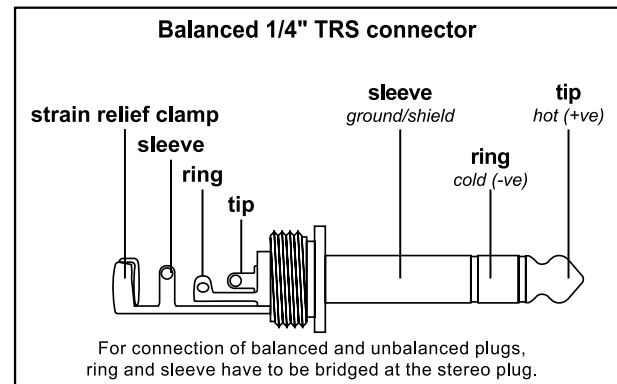


Fig. 4.1: ¼" TRS connector

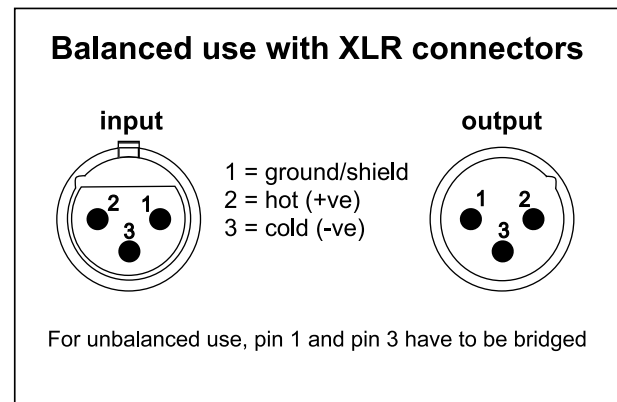


Fig. 4.2: XLR connectors

- ◆ Make sure that only competent people install your B312A/B315A. They must be sufficiently earthed during and after the installation process. Otherwise, electrostatic discharges may negatively affect the operating characteristics of your equipment.

5. Specifications

Output power

Low-frequency range

RMS @ 1% THD	200 W @ 8 Ω
Peak power	320 W @ 8 Ω

High-frequency range

RMS @ 1% THD	50 W @ 8 Ω
Peak power	80 W @ 8 Ω

Input

XLR connector (servo-balanced)

Sensitivity	-40 to +4 dBu
Input impedance	20 kΩ

¼" TRS jack (servo-balanced)

Sensitivity	-40 to +4 dBu
Input impedance	20 kΩ

Link output

XLR connector

Loudspeaker system data

B312A

Frequency range	60 Hz to 18 kHz
Crossover frequency	2.1 kHz (12 dB)
Maximum sound pressure level	125 dB @ 1 m
LIMITER	optical
Dynamic Equalizer	processor-controlled

B315A

Frequency range	50 Hz to 18 kHz
Crossover frequency	1.8 kHz (12 dB)
Maximum sound pressure level	126 dB @ 1 m
LIMITER	optical
Dynamic Equalizer	processor-controlled

Equalizer

HIGH	12 kHz / ±15 dB
LOW	80 Hz / ±15 dB

Power supply

Power consumption	max. 450 W
-------------------	------------

Mains voltage / Fuse

100 - 120 V~ (50/60 Hz)	T 5.0 A H 250 V
220 - 240 V~ (50/60 Hz)	T 2.5 A H 250 V
Mains connector	standard IEC receptacle

Physical/weight

Dimensions (H x W x D)

B312A	approx. 25.9" x 15.5" x 15.1" (approx. 658 mm x 394 mm x 384 mm)
B315A	approx. 28.8" x 18.5" x 16.7" (approx. 732 mm x 470 mm x 424 mm)

Weight

B312A	approx. 53.4 lb. (approx. 24.2 kg)
B315A	approx. 61.8 lb. (approx. 28.0 kg)

BEHRINGER is constantly striving to maintain the highest professional standards. As a result of these efforts, modifications may be made from time to time to existing products without prior notice.

Specifications and appearance may differ from those listed or illustrated.

Legal Disclaimer

Technical specifications and appearance are subject to change without notice. The information contained herein is correct at the time of printing. All trademarks (except BEHRINGER, the BEHRINGER logo, JUST LISTEN, XENYX, and EUROLIVE) mentioned belong to their respective owners, and such use neither constitutes a claim of the trademarks by BEHRINGER nor affiliation of the trademark owners with BEHRINGER. BEHRINGER accepts no liability for any loss which may be suffered by any person who relies either wholly or in part upon any description, photograph or statement contained herein. Colors and specifications may vary slightly from product. Our products are sold through authorized dealers only. Distributors and dealers are not agents of BEHRINGER and have absolutely no authority to bind BEHRINGER by any express or implied undertaking or representation. This manual is copyrighted. No part of this manual may be reproduced or transmitted in any form or by any means, electronic or mechanical, including photocopying and recording of any kind, for any purpose, without the express written permission of BEHRINGER International GmbH.

ALL RIGHTS RESERVED. © 2008 BEHRINGER International GmbH, Hanns-Martin-Schleyer-Str. 36-38, 47877 Willich, Germany.

Tel. +49 2154 9206 0, Fax +49 2154 9206 4903

Warranty

§ 1 Other warranty rights and national law

- ① This warranty does not exclude or limit the buyer's statutory rights provided by national law, in particular, any such rights against the seller that arise from a legally effective purchase contract.
- ② The warranty regulations mentioned herein are applicable unless they constitute an infringement of national warranty law.

§ 2 Online registration

Please do remember to register your new BEHRINGER equipment right after your purchase by visiting <http://www.behringer.com> and kindly read the terms and conditions of our warranty carefully. Registering your purchase and equipment with us helps us process your repair claims quicker and more efficiently. Thank you for your cooperation!

§ 3 Warranty

- ① BEHRINGER (BEHRINGER International GmbH including all BEHRINGER subsidiaries, except BEHRINGER Japan) warrants the mechanical and electronic components of this product to be free of defects in material and workmanship for a period of one (1) year* from the original date of purchase, in accordance with the warranty regulations described below. If the product shows any defects within the specified warranty period that are not excluded from this warranty as described under § 5, BEHRINGER shall, at its discretion, either replace or repair the product using suitable new or reconditioned parts. In the case that other parts are used which constitute an improvement, BEHRINGER may, at its discretion, charge the customer for the additional cost of these parts.
- ② If the warranty claim proves to be justified, the product will be returned to the user freight prepaid.
- ③ Warranty claims other than those indicated above are expressly excluded.

§ 4 Return authorization number

- ① To obtain warranty service, the buyer (or his authorized dealer) must call BEHRINGER during normal business hours BEFORE returning the product. All inquiries must be accompanied by a description of the problem. BEHRINGER will then issue a return authorization number.
- ② Subsequently, the product must be returned in its original shipping carton, together with the return authorization number to the address indicated by BEHRINGER.
- ③ Shipments without freight prepaid will not be accepted.

§ 5 Warranty regulations

- ① Warranty services will be furnished only if the product is accompanied by a copy of the original retail dealer's invoice. Any product deemed eligible for repair or replacement under the terms of this warranty will be repaired or replaced.

- ② If the product needs to be modified or adapted in order to comply with applicable technical or safety standards on a national or local level, in any country which is not the country for which the product was originally developed and manufactured, this modification/adaptation shall not be considered a defect in materials or workmanship. The warranty does not cover any such modification/adaptation, irrespective of whether it was carried out properly or not. Under the terms of this warranty, BEHRINGER shall not be held responsible for any cost resulting from such a modification/adaptation.
- ③ Free inspections and maintenance/repair work are expressly excluded from this warranty, in particular, if caused by improper handling of the product by the user. This also applies to defects caused by normal wear and tear, in particular, of faders, crossfaders, potentiometers, keys/buttons, tubes, guitar strings, illuminants and similar parts.
- ④ Damage/defects caused by the following conditions are not covered by this warranty:
 - improper handling, neglect or failure to operate the unit in compliance with the instructions given in BEHRINGER user or service manuals;
 - connection or operation of the unit in any way that does not comply with the technical or safety regulations applicable in the country where the product is used;
 - damage/defects caused by force majeure or any other condition that is beyond the control of BEHRINGER.
- ⑤ Any repair or opening of the unit carried out by unauthorized personnel (user included) will void the warranty.
- ⑥ If an inspection of the product by BEHRINGER shows that the defect in question is not covered by the warranty, the inspection costs are payable by the customer.
- ⑦ Products which do not meet the terms of this warranty will be repaired exclusively at the buyer's expense. BEHRINGER will inform the buyer of any such circumstance. If the buyer fails to submit a written repair order within 6 weeks after notification, BEHRINGER will return the unit C.O.D. with a separate invoice for freight and packing. Such costs will also be invoiced separately when the buyer has sent in a written repair order.

§ 6 Warranty transferability

This warranty is extended exclusively to the original buyer (customer of retail dealer) and is not transferable to anyone who may subsequently purchase this product. No other person (retail dealer, etc.) shall be entitled to give any warranty promise on behalf of BEHRINGER.

§ 7 Claim for damage

Failure of BEHRINGER to provide proper warranty service shall not entitle the buyer to claim (consequential) damages. In no event shall the liability of BEHRINGER exceed the invoiced value of the product.

* Customers in the European Union please contact BEHRINGER Germany Support for further details.



This manual is available in English, German, French, Spanish, Italian, Russian, Polish, Dutch, Finnish, Swedish, Danish, Portuguese, Greek, Japanese and Chinese. There may also be more current versions of this document. Download them by going to the appropriate product page at:

www.behringer.com

Free Manuals Download Website

<http://myh66.com>

<http://usermanuals.us>

<http://www.somanuals.com>

<http://www.4manuals.cc>

<http://www.manual-lib.com>

<http://www.404manual.com>

<http://www.luxmanual.com>

<http://aubethermostatmanual.com>

Golf course search by state

<http://golfingnear.com>

Email search by domain

<http://emailbydomain.com>

Auto manuals search

<http://auto.somanuals.com>

TV manuals search

<http://tv.somanuals.com>