

B2031

TRUTH

User's Manual Bedienungsanleitung

E
D

Version 1.1 January 2000



www.behringer.com



EG-Declaration of Conformity



INTERNATIONAL GmbH

acc. to the Directives 89/336/EWG and 73/23/EWG

We, **BEHRINGER INTERNATIONAL GmbH**
Hanns-Martin-Schleyer-Straße 36-38
D - 47877 Willich

Name and address of the manufacturer or the introducer of the product on the market who is established in the EC

herewith take the sole responsibility to confirm that the product:

TRUTH B2031

Type designation and, if applicable, Article-N°

which refers to this declaration, is in accordance with the following standards or standardized documents:

- | | |
|--|--|
| <input checked="" type="checkbox"/> EN 60065 | <input checked="" type="checkbox"/> EN 61000-3-2 |
| <input checked="" type="checkbox"/> EN 55020 | <input checked="" type="checkbox"/> EN 61000-3-3 |
| <input checked="" type="checkbox"/> EN 55013 | |

The following operation conditions and installation arrangements have to be presumed:

acc. to Operating Manual

BEHRINGER
INTERNATIONAL GmbH
Hanns-Martin-Schleyer-Str. 36-38
D-47877 Willich, Mercurstraße II
Tel.-Nr. 0 21 54 / 92 06-0
Fax-Nr. 0 21 54 / 92 06-30

B. Nier, President

Willich, 01.06.1999

Name, address, date and legally binding signature of the person responsible

SAFETY INSTRUCTIONS

CAUTION: To reduce the risk of electrical shock, do not remove the cover (or back). No user serviceable parts inside; refer servicing to qualified personnel.



WARNING: To reduce the risk of fire or electrical shock, do not expose this appliance to rain or moisture.



This symbol, wherever it appears, alerts you to the presence of uninsulated dangerous voltage inside the enclosure - voltage that may be sufficient to constitute a risk of shock.



This symbol, wherever it appears, alerts you to important operating and maintenance instructions in the accompanying literature. Read the manual.

DETAILED SAFETY INSTRUCTIONS:

All the safety and operation instructions should be read before the appliance is operated.

Retain Instructions:

The safety and operating instructions should be retained for future reference.

Heed Warnings:

All warnings on the appliance and in the operating instructions should be adhered to.

Follow instructions:

All operation and user instructions should be followed.

Water and Moisture:

The appliance should not be used near water (e.g. near a bathtub, washbowl, kitchen sink, laundry tub, in a wet basement, or near a swimming pool etc.).

Ventilation:

The appliance should be situated so that its location or position does not interfere with its proper ventilation. For example, the appliance should not be situated on a bed, sofa rug, or similar surface that may block the ventilation openings: or placed in a built-in installation, such as a bookcase or cabinet that may impede the flow of air through the ventilation openings.

Heat:

The appliance should be situated away from heat sources such as radiators, heat registers, stoves, or other appliances (including amplifiers) that produce heat.

Power Source:

The appliance should be connected to a power supply only of the type described in the operating instructions or as marked on the appliance.

Grounding or Polarization:

Precautions should be taken so that the grounding or polarization means of an appliance is not defeated.

Power-Cord Protection:

Power supply cords should be routed so that they are not likely to be walked on or pinched by items placed upon or against them, paying particular attention to cords and plugs, convenience receptacles and the point where they exit from the appliance.

Cleaning:

The appliance should be cleaned only as recommended by the manufacturer.

Non-use Periods:

The power cord of the appliance should be unplugged from the outlet when left unused for a long period of time.

Object and Liquid Entry:

Care should be taken so that objects do not fall and liquids are not spilled into the enclosure through openings.

Damage Requiring Service:

The appliance should be serviced by qualified service personnel when:

- The power supply cord or the plug has been damaged; or
- Objects have fallen, or liquid has been spilled into the appliance; or
- The appliance has been exposed to rain; or
- The appliance does not appear to operate normally or exhibits a marked change in performance; or
- The appliance has been dropped, or the enclosure damaged.

Servicing:

The user should not attempt to service the appliance beyond that which is described in the Operating Instructions. All other servicing should be referred to qualified service personnel.



FOREWORD

Dear Customer,

Welcome to the team of TRUTH B2031 users and thank you very much for expressing your confidence in BEHRINGER products by purchasing this studio monitor.

It is one of my most pleasant tasks to write this letter to you, because it is the culmination of many months of hard work delivered by our engineering team to reach a very ambitious goal: making an outstanding reference studio monitor that will become a standard tool. The task to design the TRUTH B2031 certainly meant a great deal of responsibility, which we assumed by focusing on you, the discerning user and musician. It also meant a lot of work and night shifts to accomplish this goal. But it was fun, too. Developing a product usually brings a lot of people together, and what a great feeling it is when everybody who participated in such a project can be proud of what we've achieved.

It is our philosophy to share our joy with you, because you are the most important member of the BEHRINGER family. With your highly competent suggestions for new products you've greatly contributed to shaping our company and making it successful. In return, we guarantee you uncompromising quality (manufactured under ISO9000 certified management system) as well as excellent technical and audio properties at an extremely affordable price. All of this will enable you to fully unfold your creativity without being hampered by budget constraints.

We are often asked how we are able to produce such high-grade devices at such unbelievably low prices. The answer is quite simple: it's you, our customers! Many satisfied customers means large sales volumes enabling us to get better conditions of purchase for components, etc. Isn't it only fair to pass this benefit back to you? Because we know that your success is our success, too!

I would like to thank all people whose help on "Project TRUTH B2031" has made it all possible. Everybody has made very personal contributions, starting from the designers of the unit via the many staff members in our company to you, the user of BEHRINGER products.

My friends, it's been worth the trouble!

Thank you very much,

A handwritten signature in black ink, consisting of the letters 'U.' followed by a stylized 'B' and a long horizontal flourish.

Uli Behringer

TRUTH

2-way active high-resolution studio monitor

- ▲ Ultra-linear frequency response from 50 Hz to 21 kHz
- ▲ Two built-in high power amps with 150/75 Watts and enormous power reserves
- ▲ Extremely high-resolution tweeter with ferrofluid-cooled titanium dome
- ▲ Long-throw 8.75" woofer with special polycarbonate diaphragm and sturdy cast aluminum chassis
- ▲ Controlled dispersion pattern through phase-optimized wave guide system
- ▲ Extremely large "sweet spot" through vertically/horizontally balanced dispersion characteristics
- ▲ Active frequency crossover with 4th order Linkwitz-Riley filters
- ▲ Flexible adaptation to room acoustics, incl. subwoofer operation
- ▲ Overload protection through separately controlled limiter for low- and high-frequency ranges
- ▲ Automatic standby switching
- ▲ Electromagnetic shielding for minimum interference
- ▲ Delivery of "matched pairs". Measurement protocol included
- ▲ Low-vibration E1 MDF cabinet
- ▲ Servo-balanced inputs on XLR and TRS connectors
- ▲ Manufactured under ISO9000 certified Management System

E

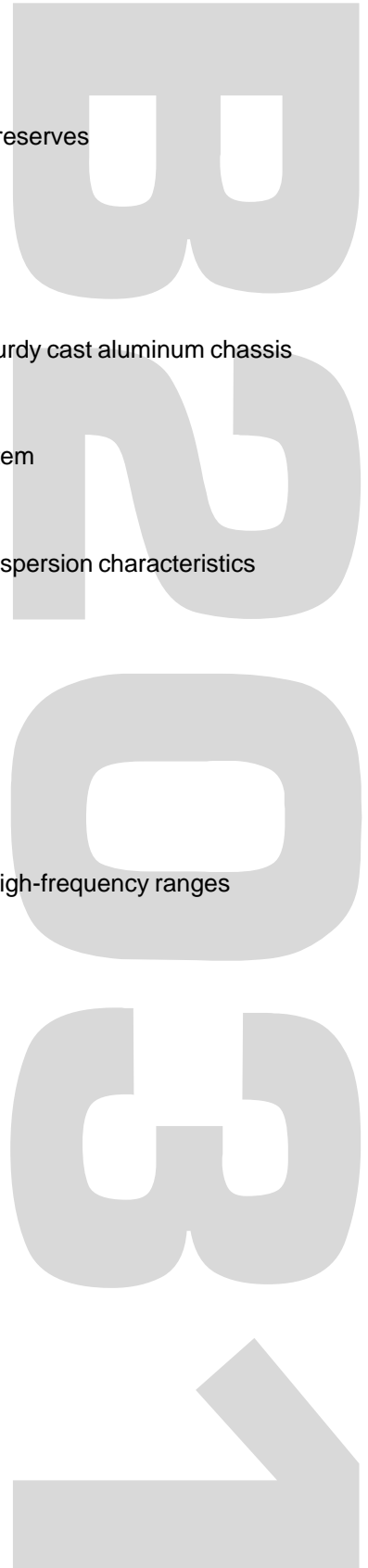


TABLE OF CONTENT

1. INTRODUCTION	7
1.1 The concept	7
1.2 Before you start	7
1.3 Control elements	8
2. APPLICATIONS	10
2.1 Connection	10
2.2 Level setting	10
2.3 Recommended setup	11
2.4 Adapting the TRUTH to the room acoustics	12
3. INSTALLATION	14
3.1 Speaker setup	14
3.2 Mains voltage	14
3.3. Audio connections	14
4. SPECIFICATIONS	16
5. WARRANTY	17

1. INTRODUCTION

Congratulations! With our new BEHRINGER TRUTH B2031 you have purchased one of the best high-resolution active studio monitors available. It is a tool that reproduces your program material with highest fidelity and balance, positioning sound sources accurately on the stereo basis.

We recommend that you experiment with your B2031 away from the pressures of a recording session, in order to get a feel for it. It will be a good idea to listen to your favorite CD's over the TRUTH, so that you can get an impression of the neutral sound this speaker produces - which might be somewhat unusual at first!



1.1 The concept


The B2031 is equipped with two separate power amps for the woofer and tweeter ranges. With 150 and 75 Watts respectively, these amps have lots of power reserves. In the low-frequency range we used an 8.75" soft-suspension speaker with a sturdy cast aluminum chassis. Its effective operating range is expanded downwards by a special bass reflex system. The innovative shape of the reflex tunnel reduces airflow noise even at highest sound pressure levels. In the high-frequency range a titanium-dome tweeter ensures an extremely fine signal resolution. Sophisticated circuitry is used to protect both chassis and amplifiers against overloading. Both speakers are electromagnetically shielded, so that you can operate the TRUTH in close proximity to your computer monitor or TV set. The individual frequency ranges driving the speakers are derived by means of an active crossover network, which allows for the precise separation of frequency bands and the perfect adaptation of two speakers to each other. Rear-mount switches enable you to configure the crossover networks, so as to adapt the speakers to specific room acoustics. More on this later.

High-quality components and design

The philosophy behind BEHRINGER products guarantees a no-compromise circuit design and employs the best choice of components. The operational amplifiers 4580 which are used in the TRUTH B2031, are exceptional. They boast extreme linearity and very low distortion characteristics. To complement this design the choice of components includes high-tolerance resistors and capacitors, high-grade switches and several other stringently selected elements. Additionally, the TRUTH is manufactured in compliance with a ISO9000 certified management system.

1.2 Before you start

Your TRUTH was carefully packed in the factory and the packaging is designed to protect the unit from rough handling. Nevertheless, we recommend that you carefully examine the carton and its contents for any signs of physical damage, which may have occurred during transit.

 **If the unit is damaged, please do NOT return it to BEHRINGER, but notify your dealer and the shipping company immediately, otherwise claims for damage or replacement may not be granted. Shipping claims must be made by the consignee.**

The TRUTH must be placed on a flat and stable surface. Be sure that there is enough air space around the unit for cooling and please do not place the TRUTH on high-temperature devices such as power amps, etc. to avoid overheating.

 **Before you connect the TRUTH to the mains, please make sure that your local voltage matches the voltage required by the unit!**

Please use the enclosed power cord to connect the unit to the mains. The cord complies with all applicable safety standards.

 **Please note that all units must be grounded properly. For your own safety, you should never remove any ground connectors from electrical devices or power cords or render them inoperative.**

Further information can be found in chapter 3 "INSTALLATION".

1.3 Control elements

The control elements described in the following are the same on both speakers.

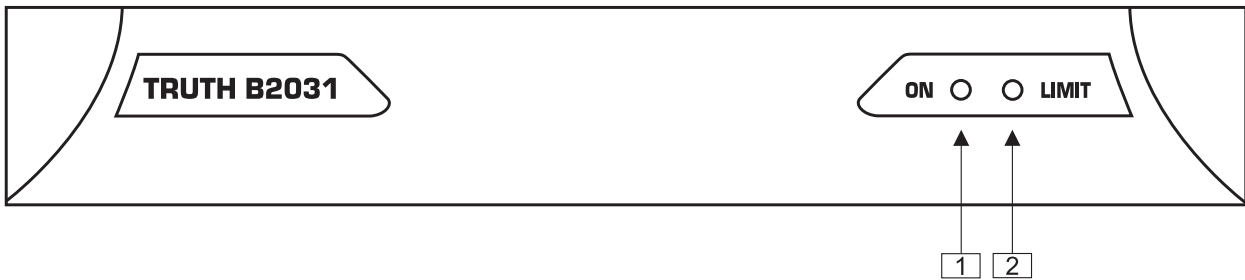


Fig. 1.1: Front panel display elements

- 1 ON. This LED lights up as soon as you switch on the speaker.
- 2 LIMIT. Lights up as soon as one of the built-in protections is activated.

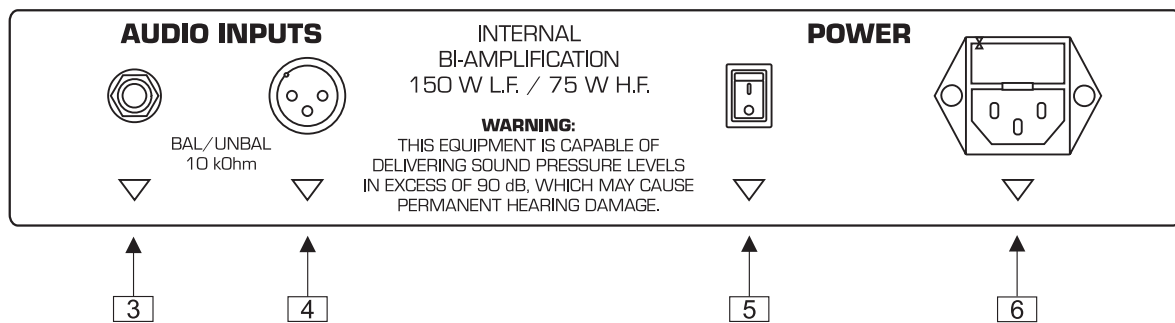


Fig. 1.2: Rear panel input connectors

All connectors of the TRUTH face downwards, so as to allow you to place the speaker as closely to a wall as possible.

- 3 INPUT. This balanced TRS connector is used to connect the speaker to a signal source.
 - 4 INPUT. This XLR connector is used to connect the speaker to a balanced signal source.
 - 5 Use the POWER switch to put the TRUTH into operation.
- 👉 The TRUTH should be the last device in the signal chain to be switched on and the first to be switched off.**
- 6 FUSE holder/VOLTAGE selector and MAINS connector. Please make sure that your local voltage matches the voltage indicated on the unit, before you attempt to connect and operate the TRUTH. Blown fuses may only be replaced by fuses of the same type and rating. Use the enclosed power cord to connect the unit to the mains. Please note the instructions given in chapter 3 "INSTALLATION".

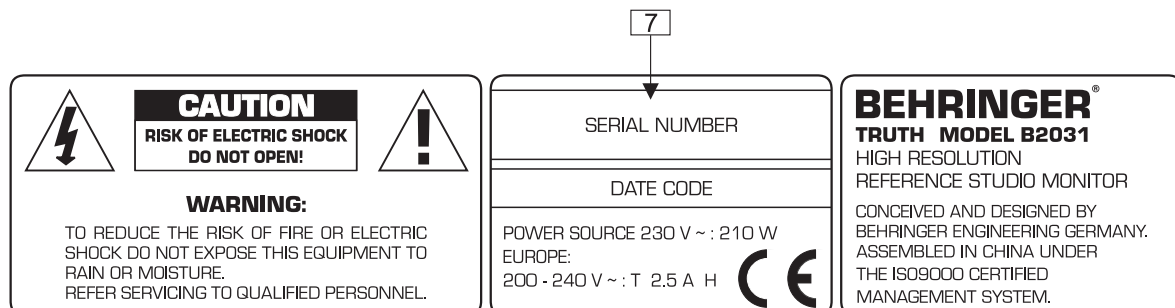


Fig. 1.3: The serial number of your TRUTH

- 7 **SERIAL NUMBER.** Please take the time to have the warranty card filled out completely by your specialized dealer, and return it within 14 days after the date of purchase, so as to be entitled to benefit from our extended warranty.

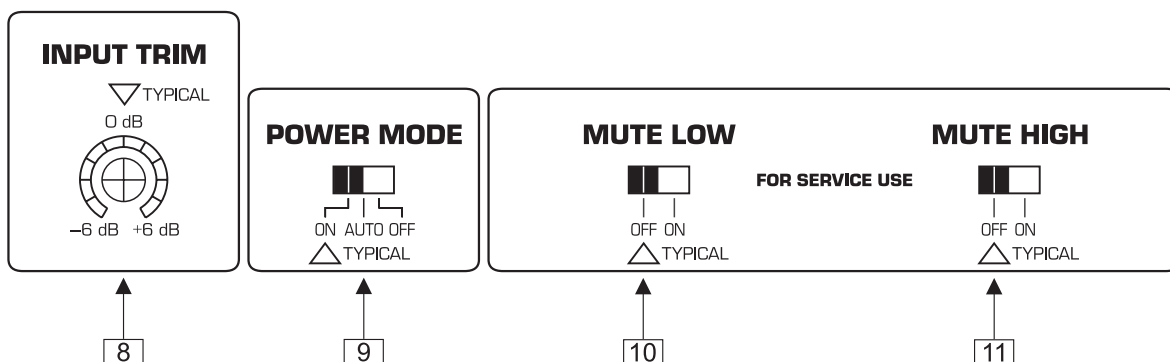


Fig. 1.4: Rear panel control elements

- 8 **INPUT TRIM.** Use this control to adapt the TRUTH's input sensitivity to the signal source.
- 9 **POWER MODE.** This switch allows you to toggle between "ON", "OFF" and "AUTO" power-up modes.
- 10 **MUTE LOW.** Disables the woofer for servicing and maintenance.
- 11 **MUTE HIGH.** Disables the tweeter for servicing and maintenance.

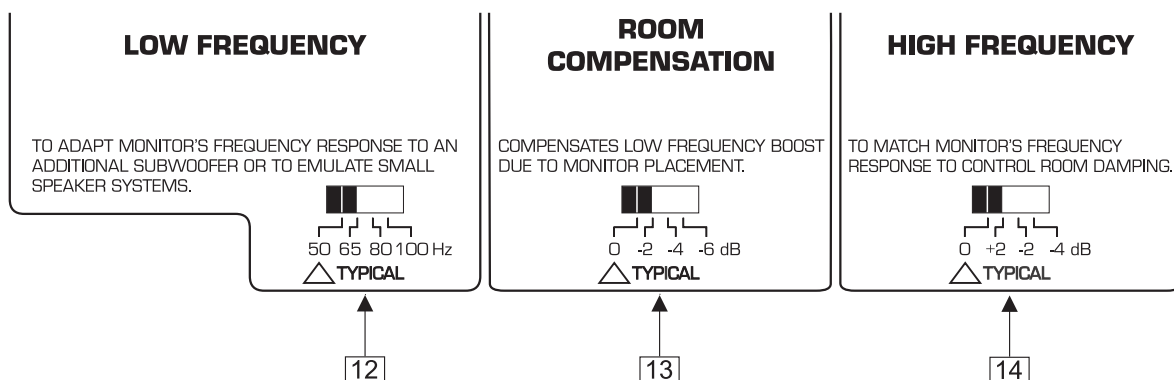


Fig. 1.5: Rear panel switches

- 12 **LOW FREQUENCY.** With this switch you can adapt the woofer range to a subwoofer system or emulate the sound characteristics of small speaker systems.
- 13 **ROOM COMPENSATION.** For maximum flexibility the TRUTH features a switch that adjusts the speaker depending on its setup position.
- 14 **HIGH FREQUENCY.** This switch adapts the speaker's frequency response to the damping characteristics of the control room.

2. APPLICATIONS

2.1 Connection

Use the enclosed power cord to connect the B2031 to the mains. To avoid ground loops, both speakers and the mixing console should be fed from the same outlet. For your convenience, the TRUTH features an automatic power-up system which activates the B2031 as soon as a signal is present on its input, and deactivates the speaker after signal pauses of more than five minutes.

Function: The switch for the automatic power-up system [9] has three positions. When set to OFF, the speaker is completely switched off and cannot be activated with switch [5]. Position AUTO allows the automatic operation as mentioned above. In position ON, the B2031 is activated all the time and can be switched off only with switch [5].

 **Be sure to switch the TRUTH off with switch [5] during longer pauses.**

Now connect both speakers to your console by means of commercial XLR or TRS cables. Since the B2031 is an active speaker system, instead of conventional speaker cables you will need normal TRS or XLR cables.

Connect the TRUTH to the Control Room outputs of your console, so as to be able to control the monitoring volume independently of the Main Mix level. If your console does not have such outputs, you can also use the Aux, Tape or Main outputs. However, in this case the speaker volume cannot be set independently of the Main Mix level, i.e. you must adjust the monitoring volume on the TRUTH. Please consult the operating instructions accompanying your console to find out whether it has balanced or unbalanced outputs. Connect these outputs to the TRS [3] or XLR [4] input. If possible use the balanced connectors, so as to avoid interference and hum. It won't help, however, to connect unbalanced outputs with balanced inputs. The benefits mentioned above will apply only when both inputs and outputs are of the balanced type. If all else fails, you can still connect the TRUTH to the headphones output of your console.

 **Be sure to mute the signal sources before you put the B2031 into operation.**

Once the TRUTH has been connected as described above, you can activate the speaker with switch [5].

2.2 Level setting

When the TRUTH has been connected properly and switched on, you can now turn up the console output that feeds the B2031. Provided you have a signal source connected, you now hear the audio material as it is played back by the TRUTH. The INPUT TRIM control [8] on the rear panel is set to 0 dB ex-factory, i.e. unity gain, which is okay when you feed the TRUTH from a pro-level console. In this case, the B2031 automatically operates at maximum level, provided that your console has been set up correctly and its output is set to 0 dB.

The LIMIT LED [2] helps you control the level. It lights up as soon as overloading causes one of the internal protections to respond. The TRUTH doesn't get damaged when the LIMIT LED lights up with occasional signal peaks. However, please make sure that it won't light up all the time, because sooner or later this will activate the thermal protection system and temporarily mute the built-in amplifiers, to warn you that you are driving the B2031 too hard. If so, you can reduce levels either on your console or using the INPUT TRIM control [8].

If the outputs on your console don't provide studio-level signals, you can turn up the INPUT TRIM control. If you connect the TRUTH to the preamp output of your stereo system, it may also be necessary to raise the level on the TRUTH itself. To build up a rudimentary stereo system, you can directly connect the outputs of a CD player (if they can be controlled in volume) to the B2031's inputs, and use the CD player to adjust the volume.

 **The TRUTH is capable of producing high volume levels. You should mix your recordings at moderate levels, so as to avoid listening fatigue and hearing impairment.**

2.3 Recommended setup

Even though the B2031 is an excellent active speaker, it needs to be set up with great care, because even the built-in room adaptation facility cannot make up for poor positioning of the speaker. Please try to heed the following suggestions. As the TRUTH will give you an even better sound and higher resolution, it will be worth the trouble.

Place the TRUTH on a flat and stable surface, if possible use a dedicated speaker stand. In this way, the speaker is acoustically decoupled and won't induce vibrations in nearby objects, which would affect the bass response. If you cannot use a stand, put the B2031 on spikes or damping foam material. Another aspect is the distance between speaker and wall: keep the speaker away from the wall, as this would emphasize the bass response, particularly in corners, where two walls form an angle.

The BEHRINGER TRUTH B2031 is a so-called near-field monitor, which means that the impact of the room acoustics on the sound will be reduced considerably owing to the short distance between speaker and listener.

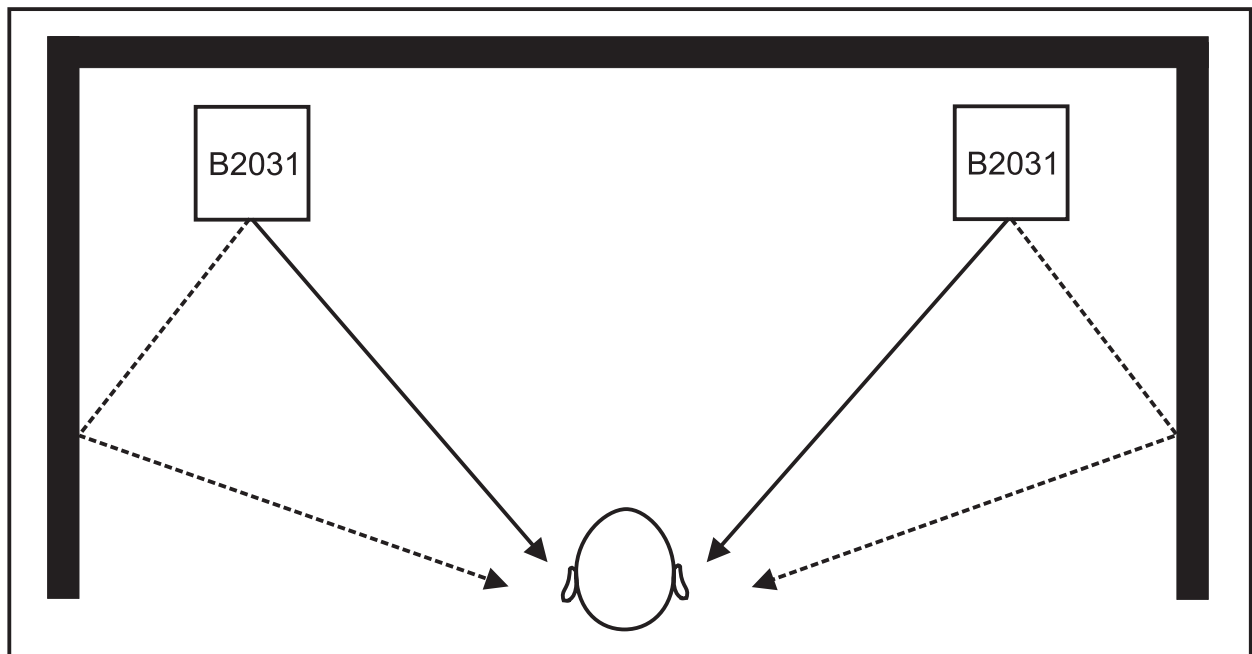


Fig. 2.1: Incorrect speaker setup

This illustration shows how you shouldn't do it: you can clearly see that a portion of the sound bounces back from the walls before it reaches the listener's ears. Thus, direct and reflected sound waves overlap which results in a coloration of the sound.

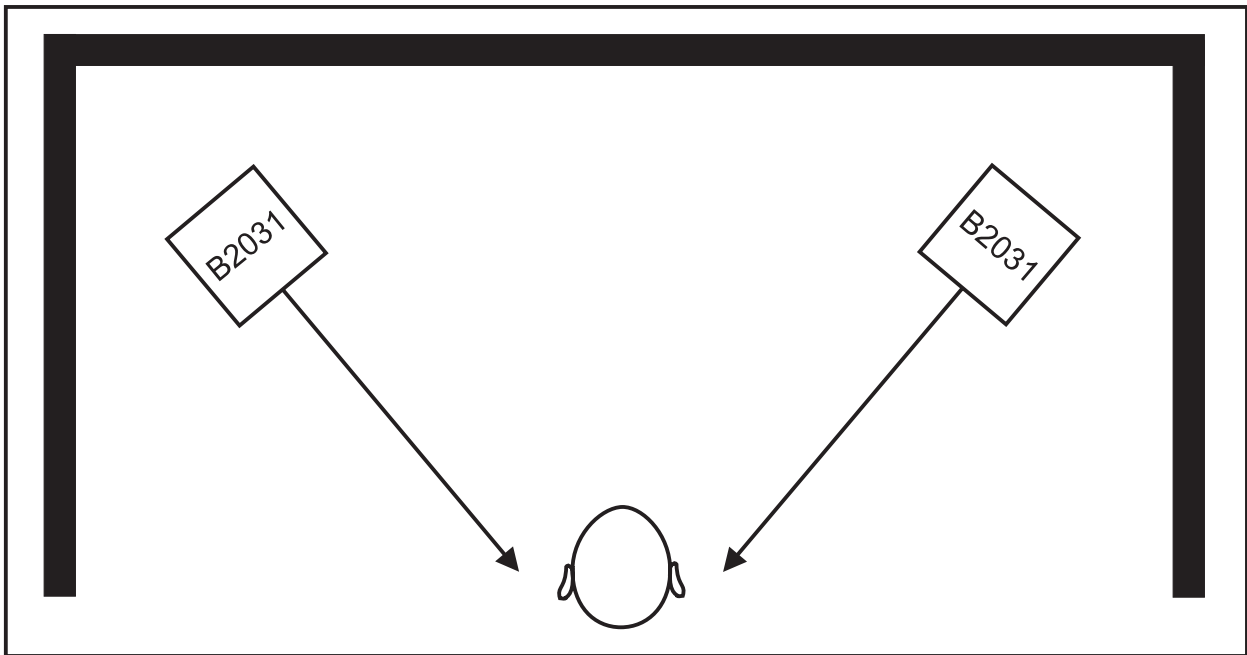


Fig. 2.2: Correct speaker setup

This effect can be reduced by turning the speakers towards the listener. To make reflections from ceiling or floor less likely, the tweeters should be on the same height as your ears. Please note that the TRUTH should be operated vertically. Where this is impossible, place it horizontally as shown in the illustration (i.e. woofers closer to each other), to allow for an improved stereo image.



Fig. 2.3: TRUTH setup horizontally

In addition to the setup position, the room characteristics also have quite an impact on the sound the TRUTH produces. Although control room designers have calculated some ideal room sizes, we assume that you are not willing to rebuild your entire studio, just to be able to set up a pair of speakers. Nevertheless, you should consider the following tips:

The room acoustics should neither be too reflective nor too dull (i.e. neither bathroom nor anechoic chamber). You can alter the room acoustics easily by installing or removing carpets, curtains or furniture. Fabric covering on the wall opposite the speakers might be a good idea if the room is too reflective. The next chapter describes how to adapt the TRUTH to the room acoustics, once it has been set up properly.

2.4 Adapting the TRUTH to the room acoustics

This chapter describes how you can use the switches on the rear of the B2031 to adapt the speaker to the acoustics of your control room. However, you should try to improve a potentially impaired sound by optimizing the speaker setup beforehand.

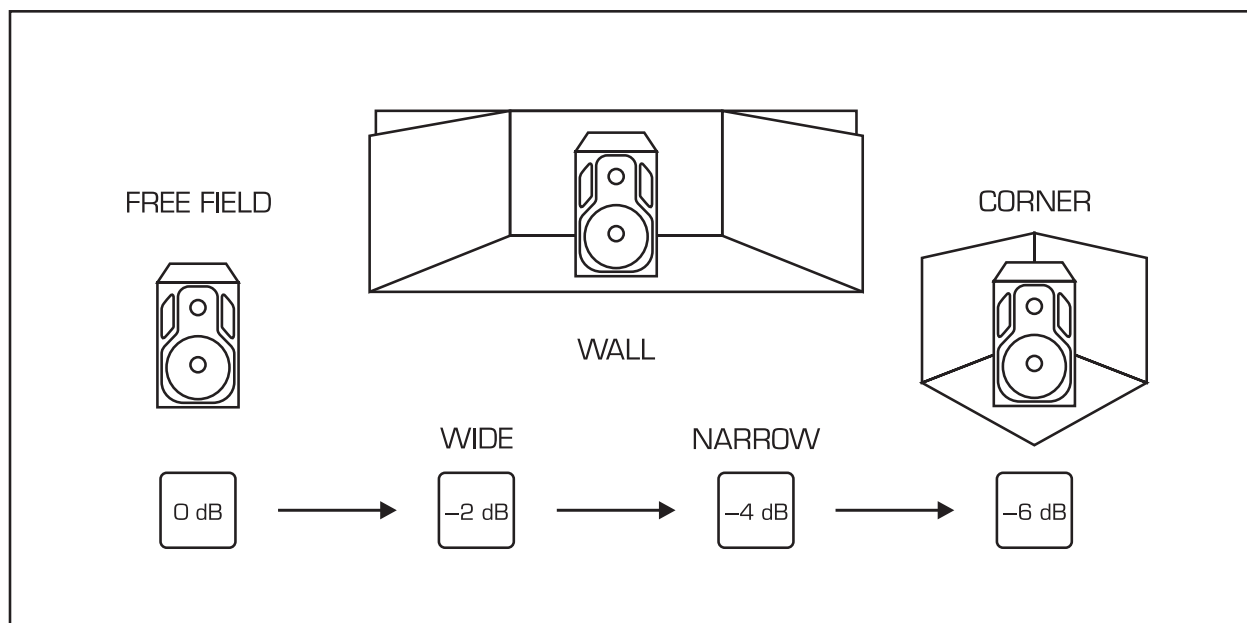


Fig. 2.4: Rear wall legending

If you are still having problems, you could try the following: The ROOM COMPENSATION switch [13] allows you to lower the bass range, depending on the speaker position. Ex-factory, the switch is set to a neutral position. If you've set up the TRUTH close to the wall or in a corner, try reducing the low-frequency level in steps of 2 dB. Since every room and speaker setup are unique in their acoustic properties, we cannot provide more specific information here. The same applies to the HIGH FREQUENCY switch [14], which determines the tweeter level (between +2 dB and -4 dB). Here too, the best setting depends on the room acoustics. If you have an additional subwoofer installed, you should match the TRUTH's lower cutoff frequency to that of the subwoofer, using the LOW FREQUENCY switch [12]. Unless the appropriate frequency is given in the subwoofer documentation, it must be determined by ear.

As a general rule, you should set up and adjust the TRUTH with great care. Above all, you should take your time: unlike hi-fi speakers, the B2031 is tuned to produce a neutral sound, which can be confusing when you are working for the first time with such a high-quality speaker. Don't try to adjust the TRUTH with its rear-wall switches to produce a "bombastic" sound that impresses you or other listeners. To get a feeling for the TRUTH's sound, you should listen to as many records as possible that were produced in other studios. We also recommend that you listen to your own recordings over as many other systems as possible, for example, your car system. If you find that your mixes are somewhat "dull" in their overall sound, the reason might be too much treble power from your TRUTH. On the other hand, if you set the bass level to high, you will find that your mixes lack bass power. Tuning a speaker can take several days' time, so once again: take your time!

It might be necessary to insert an equalizer between console and speaker, in particular, if you prefer extreme setups or sound images. The BEHRINGER ULTRA-CURVE PRO DSP8024 has proven its usefulness in practice, as it is not only a simple equalizer but also includes analyzer circuitry. You can use our measuring microphone ECM8000 to automatically adapt the TRUTH to your room or modify its frequency response.


3. INSTALLATION

Your TRUTH was carefully packed in the factory and the packaging is designed to protect the unit from rough handling. Nevertheless, we recommend that you carefully examine the carton and its contents for any signs of physical damage, which may have occurred in transit.

 **If the unit is damaged, please do NOT return it to BEHRINGER, but notify your dealer and the shipping company immediately, otherwise claims for damage or replacement may not be granted. Shipping claims must be made by the consignee.**

3.1 Speaker setup

The BEHRINGER TRUTH must be placed on a flat and stable surface.

 **Be sure that there is enough air space around the unit for cooling and please do not place the TRUTH on high-temperature devices such as power amps, etc. to avoid overheating.**

3.2 Mains voltage

Before you connect the TRUTH to the mains, please make sure that your local voltage matches the voltage required by the unit! The fuse holder on the female mains connector has 3 triangular markers, with two of these triangles opposing each other. The TRUTH is set to the operating voltage printed next to these markers, and can be set to another voltage by turning the fuse holder by 180°. CAUTION: this instruction does not apply to export models exclusively designed, e.g. for 115 V operation!

Please use the enclosed power cord to connect the unit to the mains. The cord complies with all applicable safety standards.

 **Please note that all units must be grounded properly. For your own safety, you should never remove any ground connectors from electrical devices or power cords or render them inoperative.**

3.3. Audio connections

The BEHRINGER TRUTH has balanced XLR and unbalanced TRS input connectors. If possible, connect the unit to other devices in a balanced configuration to allow for maximum interference immunity.

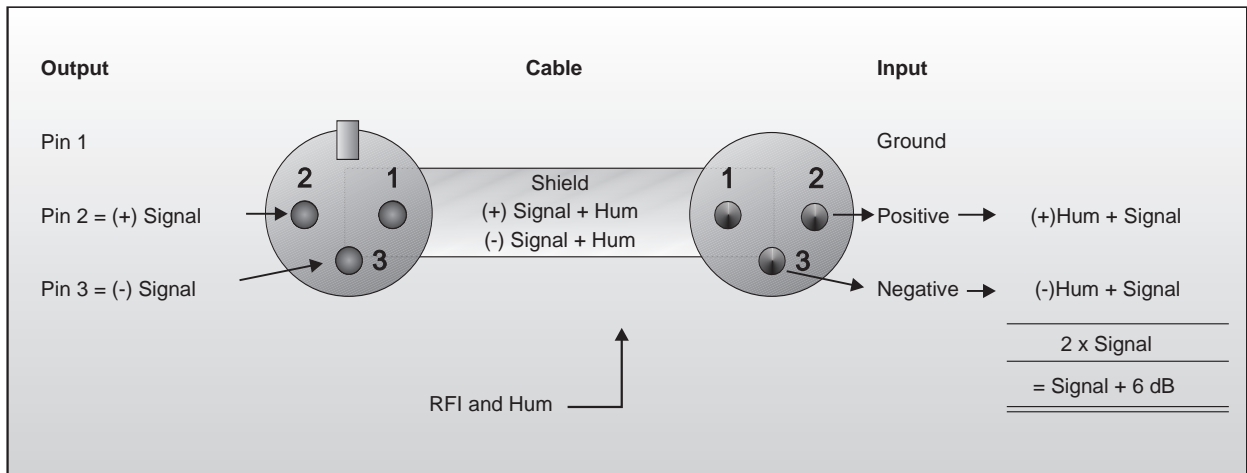


Fig. 3.1: Compensation of interference with balanced connections

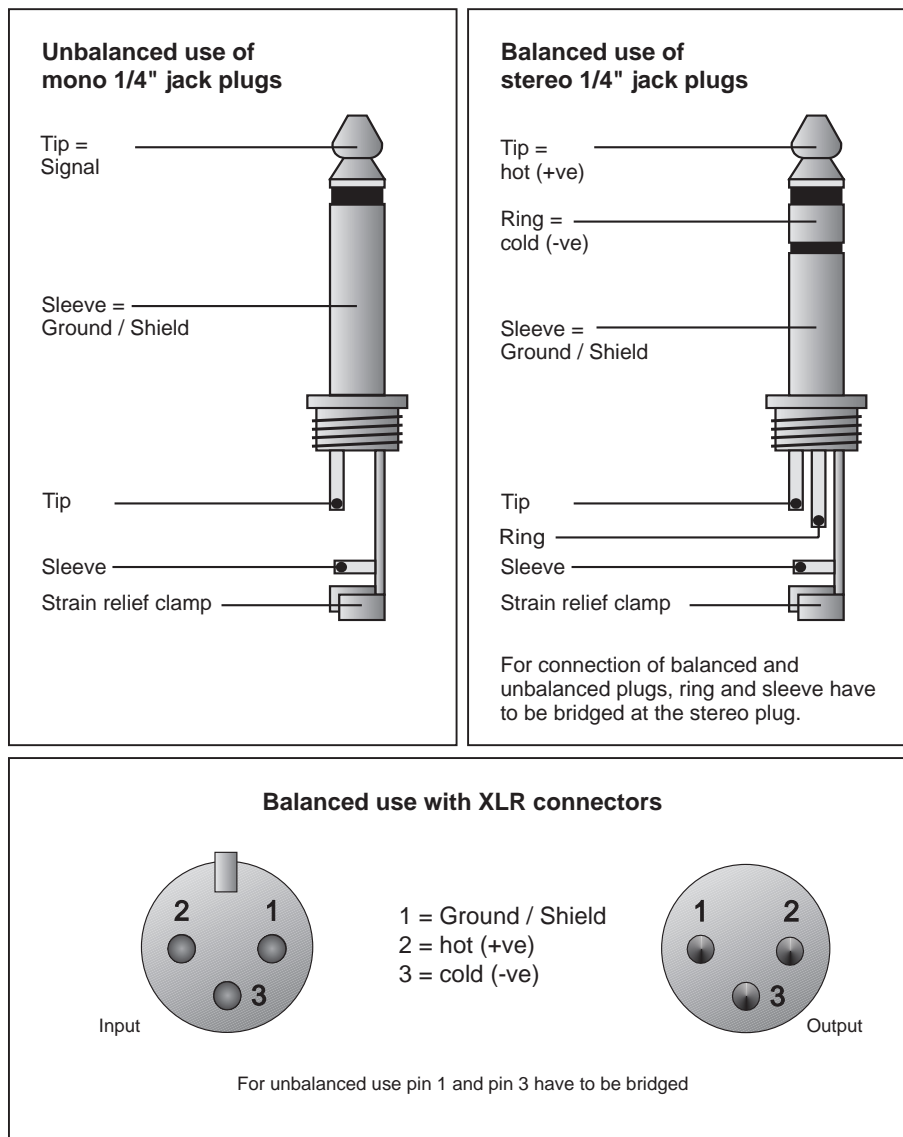


Fig. 3.2: Different plug types



4. SPECIFICATIONS

Audio inputs

XLR	servo-balanced input
1/4" jack	servo-balanced input
Impedance	20 kOhms
Max. input level	+22 dBu

Loudspeaker

Tweeter	25 mm ferrofluid-cooled dome
Woofer	22 cm (8.75") polycarbonate diaphragm

Amplifiers

Low frequency	max. 150 watts
High frequency	max. 75 watts
Noise (SPL @ 10 cm)	<10 dBA @ 1 m (each)

Crossover

Type	active, 4th order Linkwitz-Riley filter
Crossover frequency	2 kHz

System specifications

Bandwidth	50 Hz to 21 kHz
Sound pressure level	max. 116 dB SPL @ 1 m (pair)

Power supply

Mains voltages	U.S.A./Canada	120 V ~, 60 Hz
	U.K./Australia	240 V ~, 50 Hz
	Europe	230 V ~, 50 Hz
	general export model	100 - 120 V ~, 200 - 240 V ~, 50 - 60 Hz
Fuse	100 - 120 V ~ : T 5.0 A H	
	200 - 240 V ~ : T 2.5 A H	
Power consumption	210 watts, standby 27 watts	
Mains connection	standard IEC receptacle	

Physical

Dimensions (H * W * D)	400 mm * 250 mm * 290 mm
Net weight	approx. 15 kg (each)

BEHRINGER is constantly striving to maintain the highest professional standards. As a result of these efforts, modifications may be made from time to time to existing products without prior notice. Specifications and appearance may differ from those listed or illustrated.

5. WARRANTY

§ 1 WARRANTY CARD

To be protected by this warranty, the buyer must complete and return the enclosed warranty card (signed/stamped by retail dealer) within 14 days of the date of purchase to BEHRINGER INTERNATIONAL (address see § 3). Failure to return the card in due time (date as per postmark) will void any extended warranty claims.

§ 2 WARRANTY

1. BEHRINGER INTERNATIONAL warrants the mechanical and electronic components of this product to be free of defects in material and workmanship for a period of one (1) year from the original date of purchase, in accordance with the warranty regulations described below. If any defects occur within the specified warranty period that are not caused by normal wear or inappropriate use, BEHRINGER INTERNATIONAL shall, at its sole discretion, either repair or replace the product.

2. If the warranty claim proves to be justified, the product will be returned freight prepaid by BEHRINGER INTERNATIONAL within Germany. Outside of Germany, the product will be returned at the buyer's expense.

3. Warranty claims other than those indicated above are expressly excluded.

§ 3 RETURN AUTHORIZATION NUMBER

1. To obtain warranty service, the buyer must call BEHRINGER INTERNATIONAL during normal business hours BEFORE returning the product (Tel.: +49 (0) 21 54 / 92 06 66). All inquiries must be accompanied by a description of the problem. BEHRINGER INTERNATIONAL will then issue a return authorization number.

2. The product must be returned in its original shipping carton, together with the return authorization number, to the following address:

BEHRINGER INTERNATIONAL GmbH
Service Department
Hanns-Martin-Schleyer-Str. 36-38
47877 Willich-Münchheide
Germany

3. Shipments without freight prepaid will not be accepted.

§ 4 WARRANTY REGULATIONS

1. Warranty services will be furnished only if the product is accompanied by an original retail dealer's invoice. Any product deemed eligible for repair or replacement by BEHRINGER INTERNATIONAL under the terms of this warranty will be repaired or replaced within 30 days of receipt of the product at BEHRINGER INTERNATIONAL.

2. If the product needs to be modified or adapted in order to comply with applicable technical or safety standards on a national or local level, in any country which is not the country for which the product was originally developed and manufactured, this modification/adaptation shall not be considered a defect in materials or

workmanship. The warranty does not cover any such modification/adaptation, irrespective of whether it was carried out properly or not. Under the terms of this warranty, BEHRINGER INTERNATIONAL shall not be held responsible for any cost resulting from such a modification/adaptation.

3. Free inspections, maintenance/repair work and replacement of parts are expressly excluded from this warranty, in particular if caused by inappropriate use. Likewise, the warranty does not cover defects of expendable parts caused by normal wear of the product. Expendable parts are typically faders, potentiometers, switches and similar components.

4. Damages/defects caused by the following conditions are not covered by this warranty:

- ▲ misuse, neglect or failure to operate the unit in compliance with the instructions given in the user or service manuals.
- ▲ connection or operation of the unit in any way that does not comply with the technical or safety regulations applicable in the country where the product is used.
- ▲ damages/defects that are caused by force majeure or by any other condition beyond the control of BEHRINGER INTERNATIONAL.

5. Any repair carried out by unauthorized personnel will void the warranty.

6. Products which do not meet the terms of this warranty will be repaired exclusively at the buyer's expense. BEHRINGER INTERNATIONAL will inform the buyer of any such circumstance. If the buyer fails to submit a written repair order within 4 weeks after notification, BEHRINGER INTERNATIONAL will return the unit C.O.D. with a separate invoice for freight and packing. Such cost will also be invoiced separately when the buyer has sent in a written repair order.

§ 5 WARRANTY TRANSFERABILITY

This warranty is extended exclusively to the original buyer (customer of retail dealer) and is not transferable to anyone who may subsequently purchase this product. No other person (retail dealer, etc.) shall be entitled to give any warranty promise on behalf of BEHRINGER INTERNATIONAL.

§ 6 CLAIM FOR DAMAGES

Failure of BEHRINGER INTERNATIONAL to provide proper warranty service shall not entitle the buyer to claim (consequential) damages. In no event shall the liability of BEHRINGER INTERNATIONAL exceed the invoiced value of the product.

§ 7 OTHER WARRANTY RIGHTS

This warranty does not exclude or limit the buyer's statutory rights provided by national law, in particular, any such rights against the seller that arise from a legally effective purchase contract.

The information contained in this manual is subject to change without notice. No part of this manual may be reproduced or transmitted in any form or by any means, electronic or mechanical, including photocopying and recording of any kind, for any purpose, without the express written permission of BEHRINGER Spezielle Studiotechnik GmbH.

BEHRINGER and ULTRA-CURVE are registered trademarks.

ALL RIGHTS RESERVED © 2000 BEHRINGER Spezielle Studiotechnik GmbH.

BEHRINGER Spezielle Studiotechnik GmbH, Hanns-Martin-Schleyer-Str. 36 - 38, 47877 Willich-Münchheide II, Germany

Tel. +49 (0) 21 54 / 92 06 - 0, Fax +49 (0) 21 54 / 92 06 - 30

Free Manuals Download Website

<http://myh66.com>

<http://usermanuals.us>

<http://www.somanuals.com>

<http://www.4manuals.cc>

<http://www.manual-lib.com>

<http://www.404manual.com>

<http://www.luxmanual.com>

<http://aubethermostatmanual.com>

Golf course search by state

<http://golfingnear.com>

Email search by domain

<http://emailbydomain.com>

Auto manuals search

<http://auto.somanuals.com>

TV manuals search

<http://tv.somanuals.com>