

X32 COMPACT

POWERED BY MIDAS



Compact 40-Input, 25-Bus Digital Mixing Console with 16 Programmable MIDAS Preamps, 17 Motorized Faders, Channel LCD's, FireWire*/USB Audio Interface and iPad/iPhone* Remote Control

- Compact 40-input channel, 25-bus digital mixing console for Studio and Live application
- 16 MIDAS-designed, fully programmable mic preamps for audiophile sound quality
- 17 Fully automated motorized 100 mm faders allow for instant overview, powerful scene management and DAW control
- 8 XLR outputs plus 6 additional line in/outputs, 2 phones connectors and a talkback section with integrated or external mic
- Individual and dynamic LCD Scribble Strips on all channels and buses creating easy assignment and intuitive channel distinction
- 32 x 32 channel audio interface over FireWire* and USB 2.0, with DAW remote control emulating HUI* and Mackie Control*
- iPad* and iPhone* apps for professional remote operation available free of charge—no host PC required
- High-resolution 7" day-viewable Color TFT for easy viewing of workflow components and parameters
- Main LCR, 6 matrix buses and all 16 mix buses each featuring inserts, 6-band parametric EQ's and full dynamics processing, plus 8 DCA and 6 mute groups
- Virtual FX rack featuring 8 true-stereo FX slots include high-end simulations such as Lexicon 480L* and PCM70*, EMT250* and Quantec QRS* etc.

X32 COMPACT

Compact 40-Input Channel, 25-Bus Digital Mixing Console with 16 Programmable MIDAS Preamps, 17 Motorized Faders, Channel LCD's, FireWire*/USB Audio Interface and iPad/iPhone* Remote Control

Lean Mean Mixing Machine

What happened to the X32? It's there... just a little bit smaller. The X32 COMPACT delivers the best of the flagship X32 console in a slightly smaller package for installs at smaller venues, houses of worship, theaters or discerning audiosmiths who may not need as many local inputs or motorized faders.

Powered by MIDAS & KLARK TEKNIK

When we began development on the X32 COMPACT, we called on our sister companies, MIDAS and KLARK TEKNIK, recognized the world over for their digital consoles and EQ/FX processing, for implementation support. The programmable, high-grade mic preamps found in the X32 COMPACT are based on a genuine MIDAS design, all the way down to their A/D converters. The resulting design ensures superior common mode rejection ratio (CMRR) and extremely low harmonic distortion (THD). The X32 COMPACT is an amazingly clean amalgam of high technology merged with superb user-friendly features.



We also received brilliant support from MIDAS and KLARK TEKNIK in designing X32 COMPACT's GUI (graphical user interface), a major advancement in digital mixing made easy, productive, and well... fun! They also drew on their extensive experience in FPGA (Field Programmable Gate Array) coding for rock-solid, ultra-low latency digital channel patching—giving the X32 COMPACT the capacity to handle up to 168 sources on 168 destinations, including the two AES50 ports. You can expect to see more collaboration between BEHRINGER and MIDAS in the very near future.

You're Well Connected

Ultimate connectivity remains the battle cry of the X32 COMPACT with its 40 inputs, 25 buses, 16 programmable MIDAS-designed mic preamps, FireWire* and USB 2.0 recording capability. Not sure which X32 is right for you? We totally get it. That's why the entire X32 family is designed to be beautifully scalable through the powerful AES50 ports built right in. Connect the powerhouse S16 digital snakes to these inputs to add an additional 16 mic preamps to your setup.

Travel Light... Travel Far

Need another X32 for side of stage or the broadcast control booth? X32 COMPACT packs all the features with the same great 7" TFT screen and customizable LCD scribble strip so you can take on the world of sound with all the firepower you'll ever need – without hauling a world of outboard gear and analog snake cables.



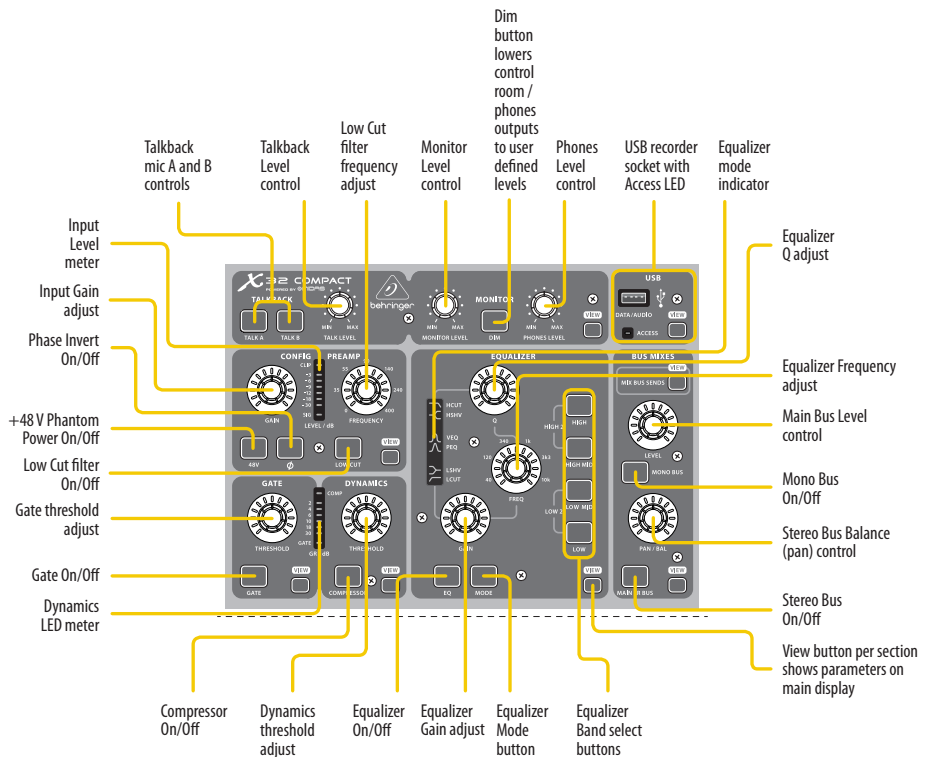


- 40-Bit floating-point DSP features “unlimited” dynamic range with no internal overload and near-zero overall latency (0.8 msec)
- Powerful scene management for convenient handling of complex productions
- 48-channel Digital Snake ready** via dual AES50 ports, featuring KLARK TEKNIK’s SuperMAC networking capability for ultra-low jitter and latency
- USB type-A connector providing file storage and uncompressed stereo recordings plus show presets and system updates
- Dedicated and easy-to-use channel strip section with direct access controls and graphic user interface for intuitive workflow
- Additional user-definable control section allows to set up short-cuts to your favorite views or parameters
- ULTRANET connectivity for BEHRINGER’s P-16 Personal Monitoring System** plus AES/EBU stereo digital output and MIDI
- Networked remote control for show setups with on-screen software editor via Ethernet
- Built-in expansion port for audio interface cards or digital networking bridges
- Future firmware updates, incl. new FX “Plug Ins”, downloadable from behringer.com free of charge
- Conceived and designed by BEHRINGER Germany

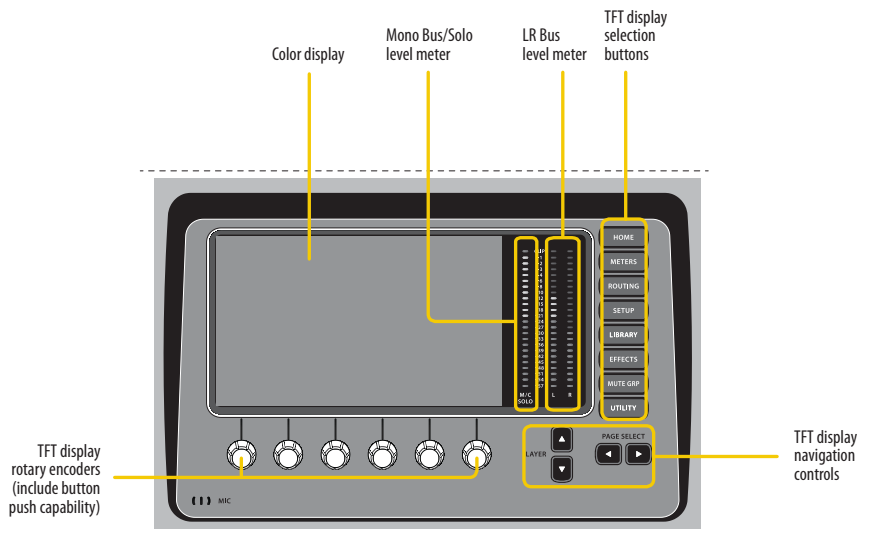
*FireWire, iPad, and iPhone are trademarks of Apple Inc., registered in the U.S. and other countries. The AES50 trademark is a property of the Audio Engineering Society, NY. All trademarks, including, but not limited to HUI, Mackie, Lexicon, PCM, EMT, Quantec and QRS are trademarks or registered trademarks of their respective owners. Their use neither constitutes a claim of the trademark nor affiliation of the trademark owners with MUSIC Group. Product names are mentioned solely as a reference for X32 COMPACT compatibility and effects.

**P16 Personal Monitoring System and Digital Snake are not included.

Input Channel Preamp, Dynamics & EQ Panel

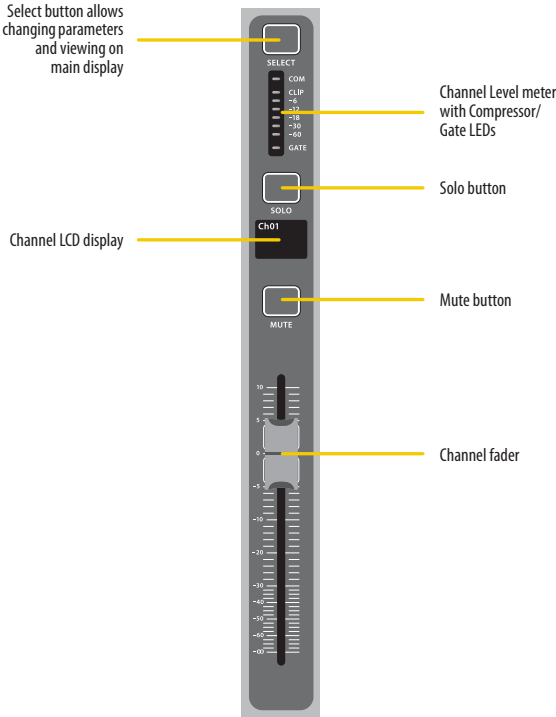


Main Display

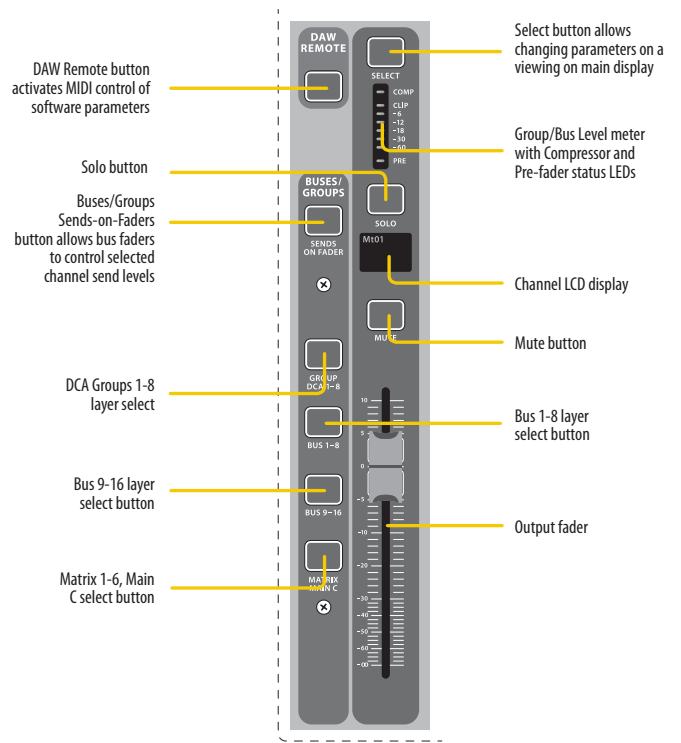




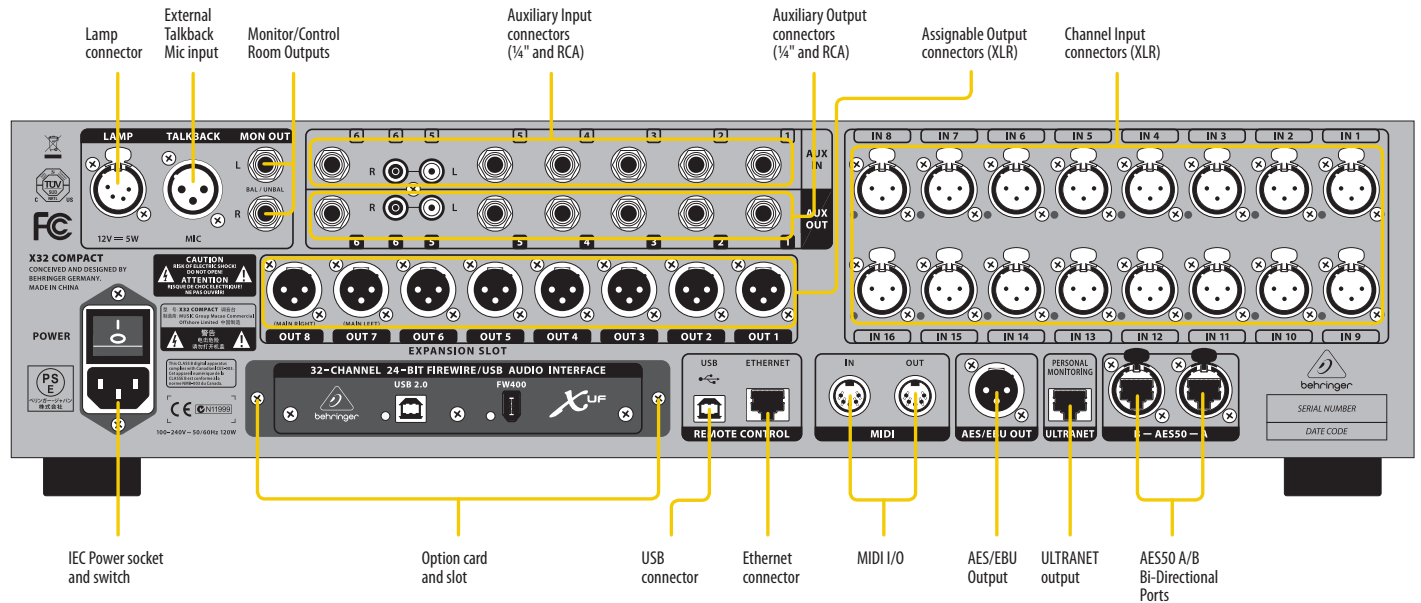
Input Channel Strip



Output Channel Strip

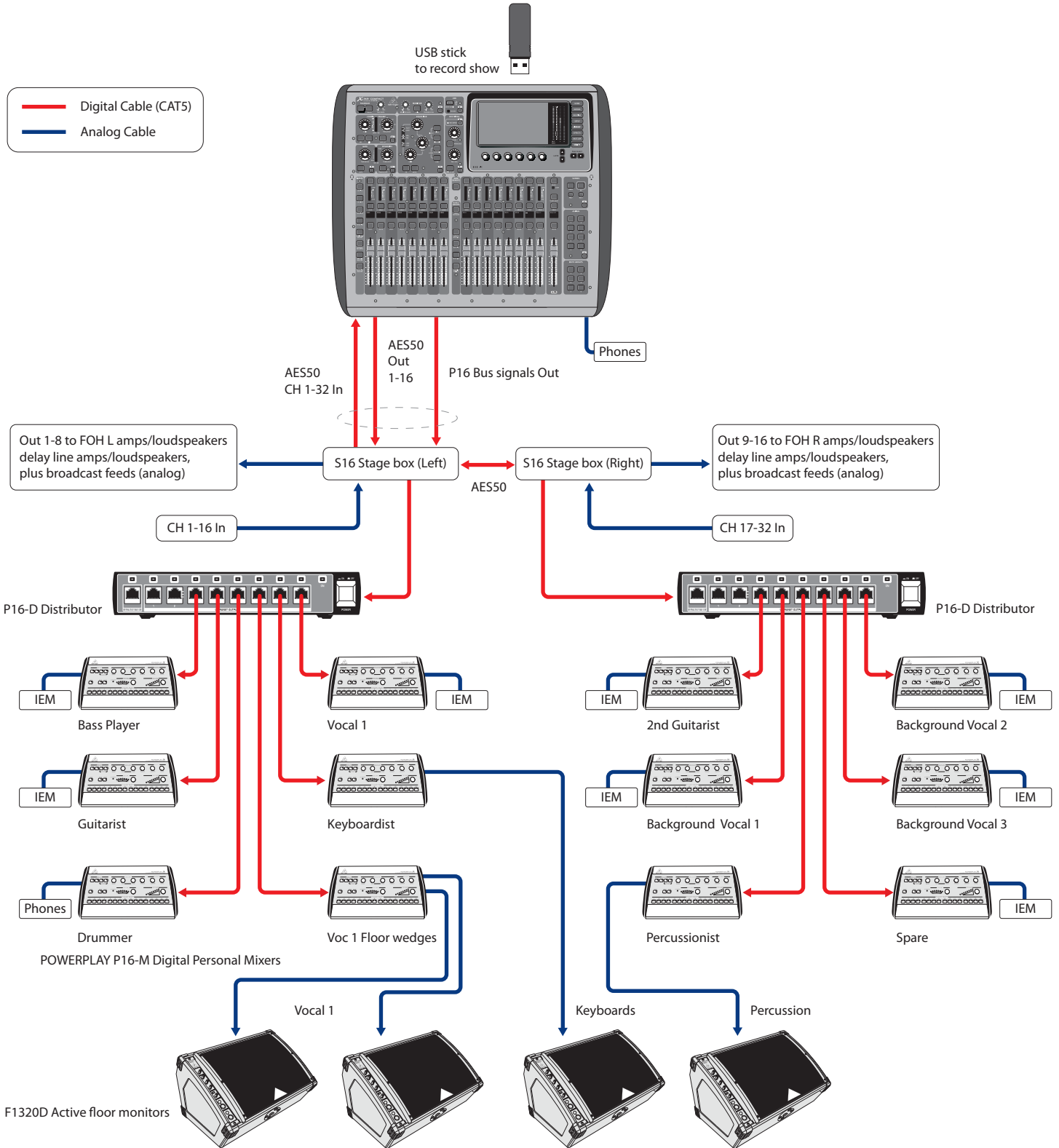


Rear Panel Input Patchbay





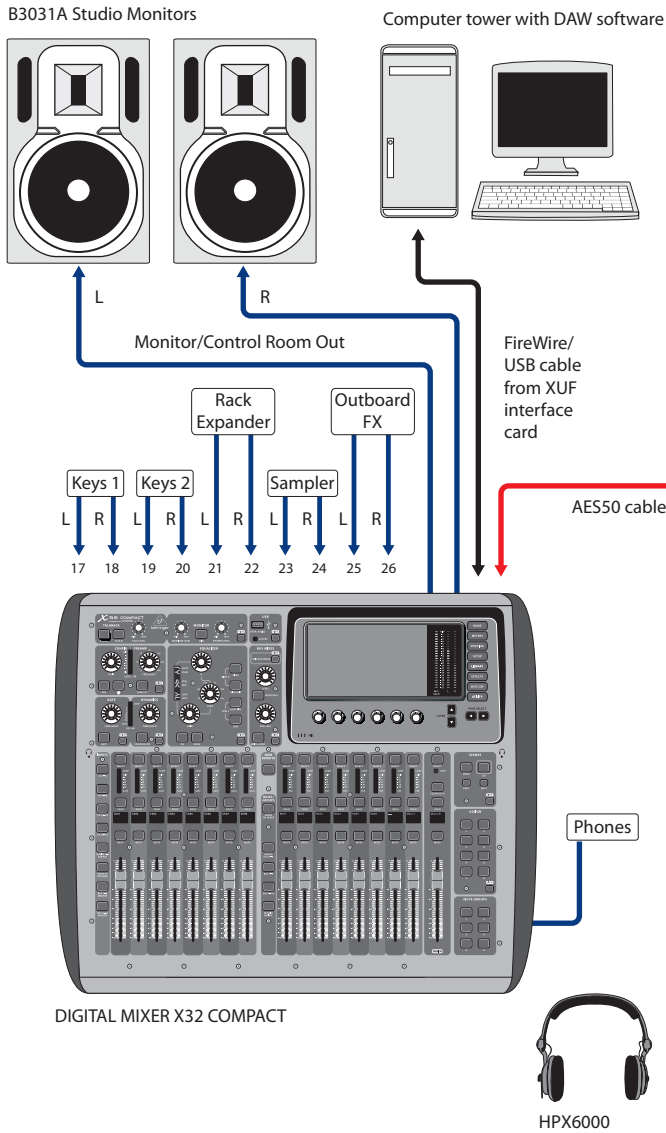
X32 COMPACT Setup with S16 and P16 Monitor System



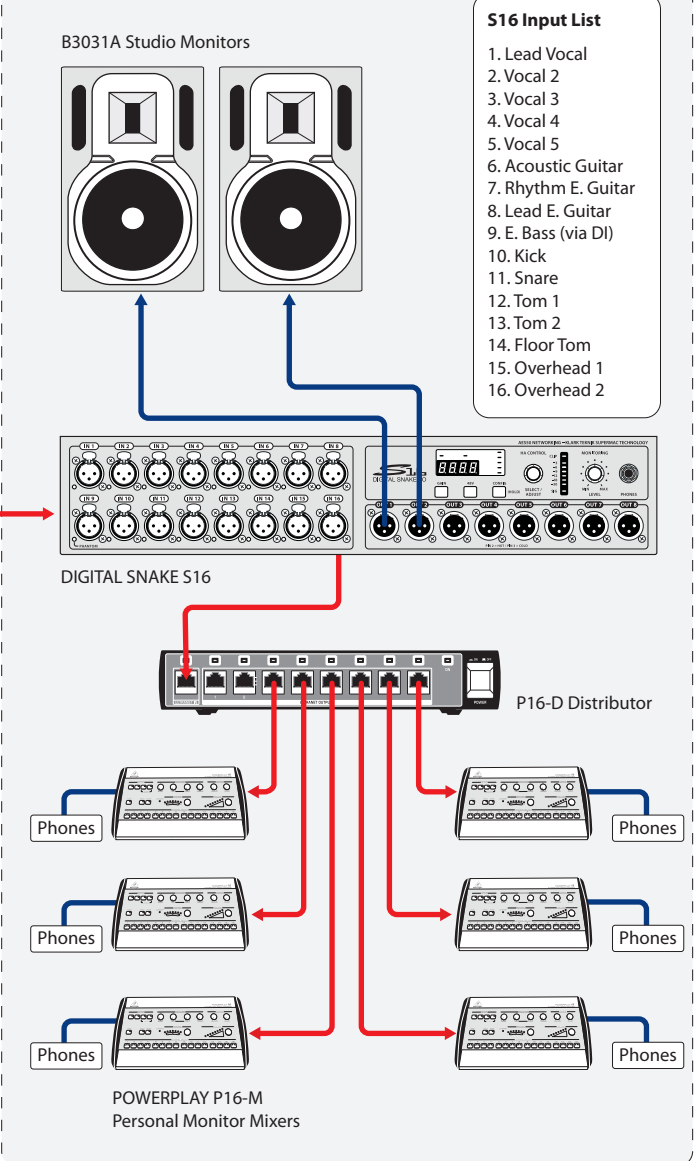


X32 COMPACT Recording Studio Setup

Control Room



Recording Room



- S16 Input List**
1. Lead Vocal
 2. Vocal 2
 3. Vocal 3
 4. Vocal 4
 5. Vocal 5
 6. Acoustic Guitar
 7. Rhythm E. Guitar
 8. Lead E. Guitar
 9. E. Bass (via DI)
 10. Kick
 11. Snare
 12. Tom 1
 13. Tom 2
 14. Floor Tom
 15. Overhead 1
 16. Overhead 2



Specifications

Processing

Number of processing channels	32 input channels, 8 aux in channels, 8 FX return channels, 16 buses, 6 matrices, main LRC
Internal effects engines, true-stereo / mono	8 / 16
Internal total recall scenes (inkl. preamp and fader)	100
Signal processing	40-bit floating point
A/D-D/A conversion (Cirrus Logic A/D CS5368, D/A CS4385)	24-bit @ 44.1 / 48 kHz, 114 dB dynamic range
Local I/O latency (local in > console processing* > local out)	0.8 ms
Networked I/O latency (stagebox in > console processing* > stagebox out)	1.1 ms
Total number of accessible input sources / outputs	150 / 160

Connectors

XLR inputs, programmable mic preamps, designed by MIDAS	16
Talkback mic input, XLR	1 ext. (plus internal mic)
RCA inputs/outputs	2/2
XLR outputs	8
Monitoring outputs XLR / ¼" TRS balanced	2/2
Aux inputs/outputs, ¼" TRS, balanced	6/6
Phones outputs, ¼" TRS	2 stereo
Digital AES/EBU output, XLR	1
AES50 ports, SuperMAC	2
Expansion card (optional)	32 channel audio input/output, various standards
P-16 connector, Ultranet (no power supplied)	1
MIDI inputs / outputs	1 / 1
Ethernet, RJ45, rear panel, for remote control	1
USB Type A, top panel, for audio and data export/import	1
USB type B, rear panel, for system updates	1

Mic Input Characteristics

Preamp Design	MIDAS
THD + noise, 20 dB gain, 0 dBu out	< 0.006% A-weighted
Input impedance XLR, unbal. / bal.	5 kΩ / 10 kΩ
Non clip maximum input level, XLR	+23 dBu
Phantom Power, switchable per input	48 V
Equivalent input noise level, XLR (input shorted)	-128 dBu
CMRR, XLR, @ 20 dB gain (typical)	> 70 dB
CMRR, XLR, @ 40 dB gain	> 80 dB

Input/Output Characteristics

Frequency range, @ 48 kHz sample rate, 0 dB to -1 dB	10 Hz - 22 kHz
Dynamic range, analog in to analog out (typical)	106 dB
A/D Dynamic range, preamp and converter (typical)	109 dB
D/A Dynamic range, converter and output	108 dB
Cross talk rejection @ 1 kHz, adjacent channels	100 dB
Output level, XLR, nom./max.	+4 dBu / +21 dBu
Output impedance, XLR, unbal. / bal.	75 Ω / 75 Ω
Input impedance TRS Jack, unbal. / bal.	20 kΩ / 40 kΩ
Non clip maximum input level, TRS	+16 dBu
Nominal output level, TRS	+4 dBu / +16 dBu
Output impedance, TRS, unbal. / bal.	150 Ω / 300 Ω
Phones output impedance / level	40 Ω / +25 dBm (stereo)
Residual noise level, XLR and TRS	-87 dBu A-weighted

Indicators

Main Screen	7", 800x480, 262k color TFT
Channel LCD Screen (17 pcs)	128x64, LCD with RGB color backlight
Display	—
Front Status LEDs	—
Main Meter	-57 dB, -54dB, -51 dB, -48 dB, -45 dB, -42 dB, -39 dB, -36 dB, -33 dB, -30 dB, -27 dB, -24 dB, -21 dB, -18 dB, -15 dB, -12 dB, -10 dB, -8 dB, -6 dB, -4 dB, -3 dB, -2 dB, -1 dB, Clip
Rear Panel	—

Power

Switch-mode autorange power supply	100-240 V (50/60 Hz)
Power consumption	120 W

Physical

Dimensions	
Weight	

*incl. all channel and bus processing, excl. insert effects and line delays

Please note these specifications are preliminary and conceptual in nature, and as such are subject to change as product development progresses. This information is supplied for market research purposes only and is not to be made public in any manner. This document is solely the property of The MUSIC Group, or one of its subsidiaries, and must be surrendered upon request of the owner.

For service, support or more information contact the BEHRINGER location nearest you:

Europe
MUSIC Group Services UK
Tel: +44 156 273 2290
Email: CARE@music-group.com

USA/Canada
MUSIC Group Services NV Inc.
Tel: +1 702 800 8290
Email: CARE@music-group.com

Japan
MUSIC Group Services JP K.K.
Tel.: +81 3 6231 0454
Email: CARE@music-group.com

This device has not been authorized by the rules of the Federal Communications Commission. This device is not, and may not be, offered for sale or lease, or sold or leased in the 50 U.S. states, the District of Columbia and U.S. possessions, until authorization is obtained. Technical specifications and appearances are subject to change without notice and accuracy is not guaranteed. BEHRINGER, KLARK TEKNIK, MIDAS, BUGERA, and TURBOSOUND are part of the MUSIC Group (music-group.com). FireWire, iPad, and iPhone are trademarks of Apple Inc., registered in the U.S. and other countries. The AES50 trademark is a property of the Audio Engineering Society, NY. All trademarks, including, but not limited to HUI, Mackie, Lexicon, PCM, EMT, Quantec and QRS are trademarks or registered trademarks of their respective owners. Their use neither constitutes a claim of the trademarks nor affiliation of the trademark owners with MUSIC Group. Product names are mentioned solely as a reference for X32 COMPACT compatibility and effects. MUSIC Group accepts no liability for any loss which may be suffered by any person who relies either wholly or in part upon any description, photograph or statement contained herein. Colors and specifications may vary from actual product. MUSIC Group products are sold through authorized fulfillers and resellers only. Fulfillers and resellers are not agents of MUSIC Group and have absolutely no authority to bind MUSIC Group by any express or implied undertaking or representation. This manual is copyrighted. No part of this manual may be reproduced or transmitted in any form or by any means, electronic or mechanical, including photocopying and recording of any kind, for any purpose, without the express written permission of MUSIC Group IP Ltd. ALL RIGHTS RESERVED © 2013 MUSIC Group IP Ltd. Trident Chambers, Wickhams Cay, P.O. Box 146, Road Town, Tortola, British Virgin Islands.

behringer.com



Free Manuals Download Website

<http://myh66.com>

<http://usermanuals.us>

<http://www.somanuals.com>

<http://www.4manuals.cc>

<http://www.manual-lib.com>

<http://www.404manual.com>

<http://www.luxmanual.com>

<http://aubethermostatmanual.com>

Golf course search by state

<http://golfingnear.com>

Email search by domain

<http://emailbydomain.com>

Auto manuals search

<http://auto.somanuals.com>

TV manuals search

<http://tv.somanuals.com>