

GNE 134620 X

Refrigerator

BEKO

Please read this manual first!

Dear Customer,

We hope that your product, which has been produced in state of the manufacturing facilities plants and checked under the most meticulous quality control procedures, will provide you an effective service.

For this, we recommend you to carefully read the entire manual of your product before using it and keep it at hand for future references.




This manual

- Will help you use your appliance in a fast and safe way.
- Read the manual before installing and operating your product.
- Follow the instructions, especially those for safety.
- Keep the manual in an easily accessible place as you may need it later.
- Besides, read also the other documents provided with your product.

Please note that this manual may be valid for other models as well.

Symbols and their descriptions

This instruction manual contains the following symbols:

-  Important information or useful usage tips.
-  Warning against dangerous conditions for life and property.
-  Warning against electric voltage.



This product is supplied with the selective sorting symbol for waste electrical and electronic equipment (WEEE).

This means that this product must be handled pursuant to European Directive 2002/96/EC in order to be recycled or dismantled to minimise its impact on the environment. For further information, please contact your local or regional authorities.

Electronic products not included in the selective sorting process are potentially dangerous for the environment and human health due to the presence of hazardous substances.

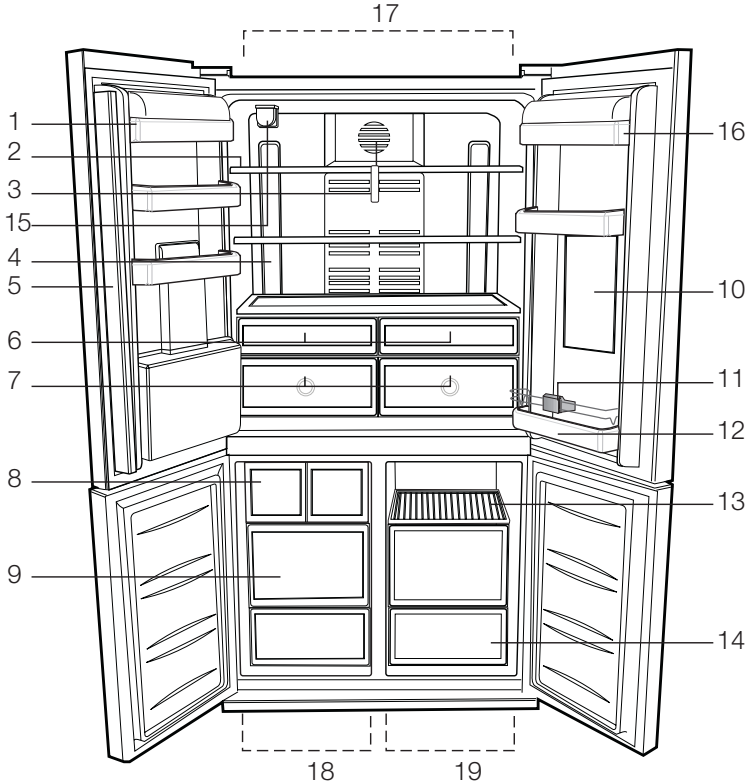


This product was manufactured using the latest technology in environmentally friendly conditions.

CONTENTS

1 Your Refrigerator	3	5 Using your refrigerator	17
2 Important Safety Warnings	4	Indicator Panel.....	17
Intended use	4	Door Open Alarm:	20
For products with a water dispenser; ..	6	Things to do to have the filter usage time calculated automatically	21
Child safety.....	6	Sliding Body Shelves	22
HCA Warning	6	Egg tray.....	22
Things to be done for energy saving ..	6	Crisper	22
		0 °C compartment.....	22
3 Installation	7	Movable Middle Section	23
Points to be considered when re- transporting your refrigerator	7	Multi Zone Storage Compartment ..	23
Before operating your refrigerator	7	Blue light	23
Electric connection	7	Sliding Body Shelves With Rear Hangers	24
Disposing of the packaging	8	Butter & Cheese Section	24
Disposing of your old refrigerator	8	Using the water spring.....	24
Placing and Installation	8	Spillage Tray	24
Floor balance adjustment	9	Minibar	25
Adjusting the gap between the upper door	9	6 Cleaning and care	26
Installing Water Filter	11	Protection of plastic surfaces	26
Connection of the Water Pipe to the Refrigerator	11	7 Recommended solutions for the problems	27
Connection of Water Hose to the Bottle	12	8 Beko Customer Care	30
Connection of the Water Pipe to the Cold Water Mains Line	13		
Prior to first use of Water Dispenser. .	15		
4 Preparation	16		

1 Your Refrigerator



- | | |
|-------------------------------------|--------------------------------------|
| 1- Fridge compartment door shelves | 10- Minibar |
| 2- Fridge compartment glass shelves | 11- Bottle holder |
| 3- Diffuser cover | 12- Bottle shelf |
| 4- Illumination lens | 13- Food storage compartment shelves |
| 5- Movable middle section | 14- Food storage compartments |
| 6- 0 °C compartment | 15- Water Filter |
| 7- Crisper | 16- Dairy compartment |
| 8- Icematic | 17- Fridge compartment |
| 9- Frozen food storage compartments | 18- Freezer compartment |
| | 19- Multi Zone |

i Figures that take place in this instruction manual are schematic and may not correspond exactly with your product. If the subject parts are not included in the product you have purchased, then it is valid for other models.

2 Important Safety Warnings

Please review the following information. Failure to observe this information may cause injuries or material damage. Otherwise, all warranty and reliability commitments will become invalid.

Intended use

- This product is intended to be used indoors and in closed areas such as homes;
- in closed working environments such as stores and offices;
- in closed accommodation areas such as farm houses, hotels, with retirement homes.
- This product should not be used outdoors.

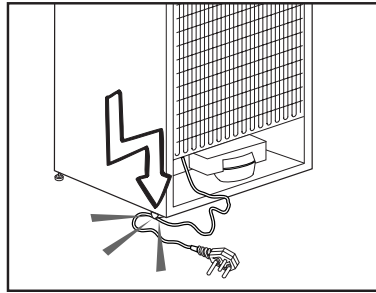
General safety

- When you want to dispose/scrap the product, we recommend you consult the authorized service agent in order to learn the required information and authorized bodies.
- Consult your authorized service agent for all your questions and problems related to the refrigerator. Do not intervene or let someone intervene to the refrigerator without notifying the authorized services.
- For products with a freezer compartment; Caution, eating of ice cream or ice cubes immediately after removing from freezer may cause discomfort due to the extreme cold.
- For products with a freezer compartment; Do not put bottled and canned liquid beverages in the freezer compartment. Otherwise, these may burst.
- Do not touch frozen food by hand; they may stick to your hand.
- Unplug your refrigerator before cleaning or defrosting.

- Pressure or spray cleaning materials should never be used in cleaning and defrosting processes of your refrigerator. In such cases, the solution may get in contact with the electrical parts and cause short circuit or electric shock.
- Never use the parts on your refrigerator such as the door as a means of support or step.
- Do not use electrical devices inside the refrigerator.
- Do not drill or cut the refrigerator as you may release the refrigerant gas. This may cause irritation to the skin or injury to the eye.
- Do not cover or block the ventilation holes on your refrigerator with any material.
- Electrical devices must be repaired by only authorised persons. Repairs performed by incompetent persons create a risk for the user.
- In case of any failure or during a maintenance or repair work, disconnect your refrigerator's mains supply by either turning off the relevant fuse or unplugging your appliance.
- Do not pull by the cable when pulling off the plug.
- Place the beverage with higher proofs tightly closed and vertically.
- Never store spray cans containing flammable and explosive substances in the refrigerator.
- Do not use mechanical devices or other means to accelerate the defrosting process, other than those recommended by the manufacturer.
- Do not operate a damaged refrigerator. Consult with the service agent if you have any concerns.

- Electrical safety of your refrigerator shall be guaranteed only if the earth system in your house complies with standards.
- Exposing the product to rain, snow, sun and wind is dangerous with respect to electrical safety.
- Contact your authorised service agent in the event of damage caused to your power cable.
- Please contact an authorised electrician in the event of power cord damage.
- Never plug the refrigerator into the wall outlet during installation. Otherwise, risk of death or serious injury may arise.
- This refrigerator is intended for only storing food items. It must not be used for any other purpose.
- Label of technical specifications is located on the left wall inside the refrigerator.
- Never connect your refrigerator to electricity-saving systems; they may damage the refrigerator.
- If there is a blue light on the refrigerator, do not look at the blue light with optical tools.
- For manually controlled refrigerators, wait for at least 5 minutes to start the refrigerator after power failure.
- This operation manual should be handed in to the new owner of the product when it is given to others.
- Avoid causing damage on power cable when transporting the refrigerator. Bending cable may cause fire. Never place heavy objects on power cable. Do not touch the plug with wet hands when plugging the product.
- Do not plug the refrigerator if the wall outlet is loose.
- Water should not be sprayed directly on inner or outer parts of the product for safety purposes.

- Do not spray substances containing inflammable gases such as propane gas near the refrigerator to avoid fire and explosion risk.
- Never place containers filled with water on top of the refrigerator, otherwise this may cause electric shock or fire.
- Do not overload your refrigerator with excessive amounts of food. If overloaded, the food items may fall down hurt you and damage refrigerator when you open the door. Never place objects on top of the refrigerator; otherwise, these objects may fall down when you open or close the refrigerator's door.



- As they require a precise temperature, vaccines, heat-sensitive medicine scientific materials etc. should not be kept in the refrigerator.
- If not to be used for a long time, refrigerator should be unplugged.
 - The plug's tip should be regularly cleaned; otherwise, it may cause fire.
- Refrigerator may move if adjustable feet are not properly secured on the floor. Properly securing adjustable feet on the floor can prevent the refrigerator to move.
- When carrying the refrigerator, do not hold it from door handle. Otherwise, it may snap or break.
- When you have to place your product next to another refrigerator or freezer, the distance between devices should be at least 8cm. Otherwise, adjacent

For products with a water dispenser;

For a mains connected system the minimum pressure should be 100 kpa and the maximum pressure should not exceed 800 kpa.

- Use filtered water only.

Child safety

- If the door has a lock, the key should be kept away from reach of children.
- Children must be supervised to prevent them from tampering with the product.

HCA Warning

If your product's cooling system contains R600a:

This gas is flammable. Therefore, pay attention to not damaging the cooling system and piping during usage and transportation. In the event of damage, keep your product away from potential fire sources that can cause the product catch a fire and ventilate the room in which the unit is placed.

Things to be done for energy saving

- Do not leave the doors of your refrigerator open for a long time.
- Do not put hot food or drinks in your refrigerator.
- Do not overload your refrigerator in a way that will prevent or restrict air circulation inside the cabinet.
- Do not install your refrigerator under direct sunlight or near heat emitting appliances such as ovens, dishwashers or radiators.
- Pay attention to keep your food in closed containers.
- For products with a freezer compartment; You can store maximum amount of food items in the freezer when you remove the shelf or drawer of the freezer. Energy consumption value stated for your refrigerator has been determined by removing freezer shelf or drawer and under maximum load. There is no harm to use a shelf or drawer according to the shapes and size of food to be frozen.
- Thawing frozen food in fridge compartment will both provide energy saving and preserve the food quality.

3 Installation

- ❗ Please remember that the manufacturer shall not be held liable if the information given in the instruction manual is not observed.

Points to be considered when re-transporting your refrigerator

1. Your refrigerator must be emptied and cleaned prior to any transportation.
2. Shelves, accessories, crisper and etc. in your refrigerator must be fastened securely by adhesive tape against any jolt before repackaging.
3. Packaging must be tied with thick tapes and strong ropes and the rules of transportation printed on the package must be followed.

❗ Always remember...

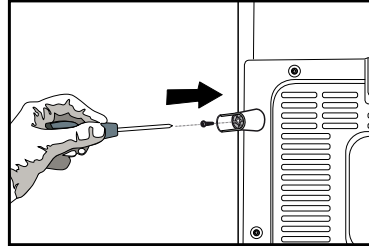
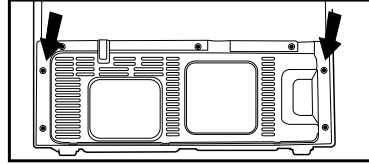
Every recycled material is an indispensable source for nature and for our national resources.

If you wish to contribute to recycling the packaging materials, you can get further information from the environmental bodies or local authorities.

Before operating your refrigerator

Before starting to use your refrigerator check the following:

1. Is the interior of the refrigerator dry and can the air circulate freely in the rear of it?
2. Insert the 2 plastic wedges onto the rear ventilation cover as illustrated in the following figure. To do this, remove the screws on the product and use the screws given in the same pouch. Plastic wedges will provide the required distance between your refrigerator and the wall in order to allow the air circulation.



3. Clean the interior of the refrigerator as recommended in the "Maintenance and cleaning" section.
4. Plug the refrigerator into the wall outlet. When the door is open the respective interior light will come on.
5. You will hear a noise as the compressor starts up. The liquid and gases sealed within the refrigeration system may also give rise to noise, even if the compressor is not running and this is quite normal.
6. Front edges of the refrigerator may feel warm. This is normal. These areas are designed to be warm to avoid condensation.

Electric connection

Connect your refrigerator to a grounded socket which is being protected by a fuse with the appropriate capacity.

Important:

- ⚠ The connection must be compliant with national regulations.
- ⚠ The power cable plug must be easily accessible after installation.
- ⚠ Voltage and allowable fuse protection are specified in the "Technical Specifications" section.

- ⚠ The specified voltage must be equal to your mains voltage.
- ⚠ Extension cables and multiway plugs must not be used for connection.
- ⚠ A damaged power cable must be replaced by a qualified electrician.
- ⚠ The appliance must not be operated before it is repaired! There is danger of electric shock!

Disposing of the packaging

- ⚠ The packing materials may be dangerous for children. Keep the packing materials out of the reach of children or dispose them of by classifying them in accordance with the waste instructions. Do not dispose them of along with the normal household waste.

The packing of your refrigerator is produced from recyclable materials.

Disposing of your old refrigerator

Dispose of your old machine without causing any harm to the environment.

- ⚠ You may consult your authorized dealer or waste collection center of your municipality about the disposal of your refrigerator.
- ⚠ Before disposing of your refrigerator, cut off the electric plug and, if there are any locks on the door, make them inoperable in order to protect children against any danger.

Placing and Installation

⚠ Caution: Never plug the refrigerator into the wall outlet during installation. Otherwise, risk of death or serious injury may arise.

⚠ If the entrance door of the room where the refrigerator will be installed is not wide enough for the refrigerator to pass through, than call the authorised service to have them remove the doors of your refrigerator and pass it sideways through the door.

1. Install your refrigerator to a place that allows ease of use.
2. Keep your refrigerator away from heat sources, humid places and direct sunlight.

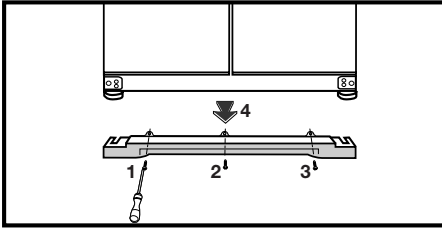
3. There must be appropriate air ventilation around your refrigerator in order to achieve an efficient operation. If the refrigerator is to be placed in a recess in the wall, there must be at least 5 cm distance with the ceiling and at least 5 cm with the wall.

If the floor is covered with a carpet, your product must be elevated 2.5 cm from the floor.

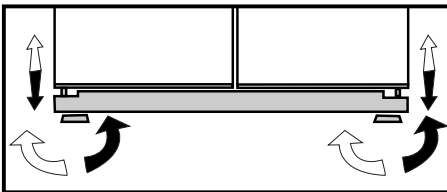
4. Place your refrigerator on an even floor surface to prevent jolts.
5. Do not keep your refrigerator in ambient temperatures under 10°C.

Floor balance adjustment

⚠ If your refrigerator is unbalanced;
⚠ First unplug the product. The product must be unplugged when making the balance adjustment. There is the risk of electric shock.



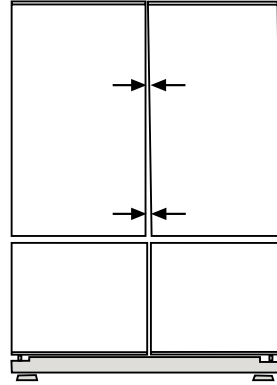
1- Ventilation cover is removed by unscrewing its screws as illustrated in the figure before the procedure. You can balance your refrigerator by turning the front feet of it as illustrated in the figure. The corner where the leg exists is lowered when you turn in the direction of black arrow and raised when you turn in the opposite direction. Taking help from someone to slightly lift the refrigerator will facilitate this process.



2. After the balance issue is remedied, install back the ventilation cover and fasten the screws.

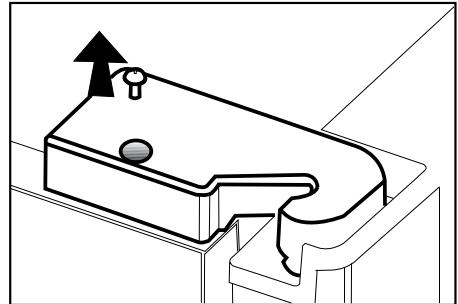
3. Remove the screws fastening the lower ventilation cover using a Phillips screwdriver.

Adjusting the gap between the upper door

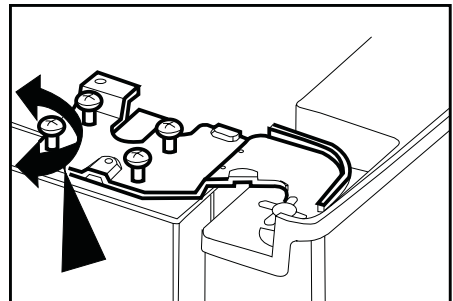


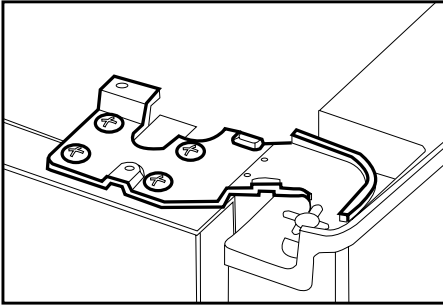
i You can adjust the gap between the fridge compartment doors as illustrated in the figures.

Door shelves should be empty when adjusting the door height.

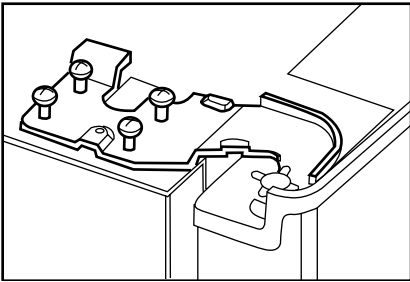


i Using a screwdriver, remove the screw of upper hinge cover of the door you want to adjust.

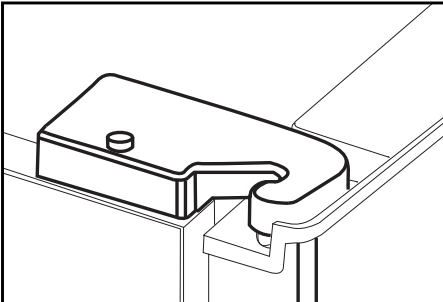




i Adjust the door appropriately as you desire by loosening the screws.



i Fix the door you have adjusted by tightening the screws without changing the position of the door.



i Replace the hinge cover and fix with the screw.

Installing Water Filter

(in some models)

Two different water sources may be connected to the refrigerator for water supply: the mains cold water supply and water in a bottle.

Installation Requirements

A pump should be used for bottle water usage.

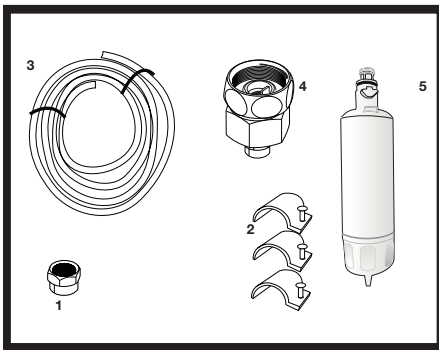
Check that the parts stated below are supplied with your appliance.

1. Union for connection of the water pipe to the rear of the appliance. (If it does not fit, provide it from the nearest authorized service.)
2. 2 pieces of pipe clips (In case required to secure the water pipe)

Note: Since the following parts are not required in use with a bottle, they may not be found in the product you purchased.

3. 5-meter long water pipe (1/4 inch in diameter)
4. Cold mains water valve with mesh filter (Tap Adapter)
5. Water Filter or externally connectable filter to be fitted to the bracket inside the fridge compartment.

Place where the external filter is going to be fitted should be determined first.



(Applies to the filter being used outside the refrigerator.) Then, determine the distance between the filter and the refrigerator and required hose lengths from the filter to the refrigerator water inlet.

Water filter must be held upright as shown in the figure. It is important to properly attach the filter to water inlet and water outlet points.

After attaching the filter, do not use first 3-4 glasses of water.

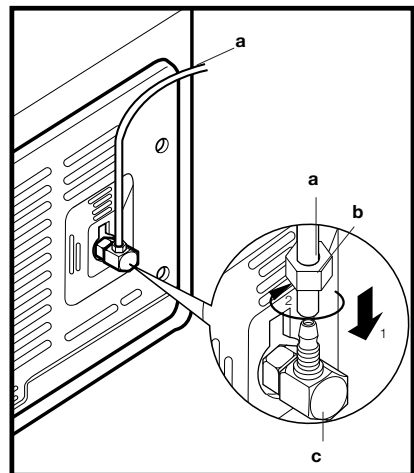
Connection of the Water Pipe to the Refrigerator

1. After installing the union onto the water pipe, insert the water pipe to the refrigerator inlet valve by pressing downwards firmly.

2. Fix union as seen in the opposite figure, by squeezing by hand on the refrigerator inlet valve.

(a- Water Pipe, b-Union, c-Valve)

i Note 1: You should not need to tighten the union with a tool to achieve water tight assembly. In case of a leak use a spanner or a pair of pliers to tighten the union.

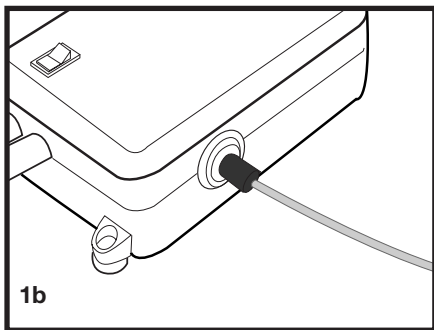
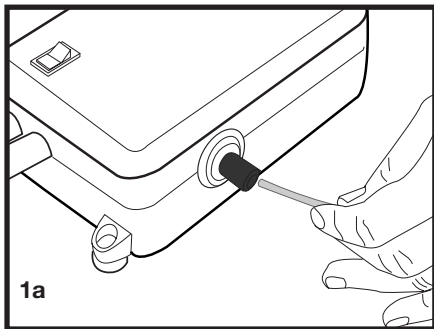


Connection of Water Hose to the Bottle

(in some models)

To connect water to the refrigerator from a bottle, a pump is needed. Follow the instructions below after connecting one end of the water pipe coming out of the pump to the refrigerator as described on the previous page.

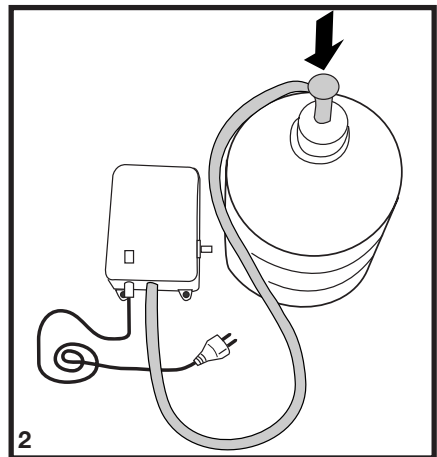
1. Finish the connection by pushing the other end of the water pipe into the water pipe inlet of the pump as shown in the figure.



2. Put and fix the pump hose into the bottle as shown in the figure.
3. After completing the connection, plug in and run the pump.

To provide an efficient operation of the pump, wait for 2-3 minutes after starting the pump.

- i** You may refer to the user manual of the pump while making the water connection.
- i** There is no need to use water filter in case a bottle is used.
- i** Pump must be used when bottle will be used.



Connection of the Water Pipe to the Cold Water Mains Line

(in some models)

If you want to use your refrigerator by connecting it to the cold water mains line,

you will have to connect a standard 1/2" valve connection fitting to the cold water supply in your house. In case this valve is not present or in case you are not sure, consult a qualified plumber.

1. Separate the union from the tap adaptor. (Figure A)
2. Install the tap adaptor to 1/2" valve fitting as shown in the figure. (Figure B)
3. After inserting the water pipe to the union, install it to the tap adaptor and insert to the tap as shown in the figure. (Figure C)
4. Tighten the union manually. In case of a leak use a spanner or a pair of pliers to tighten the union.

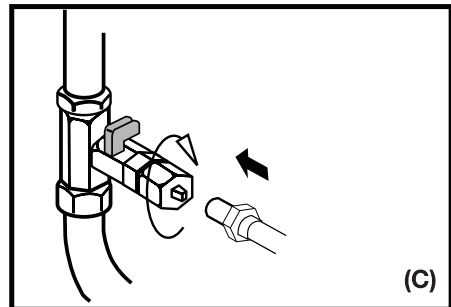
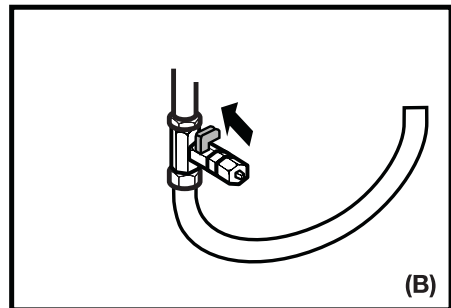
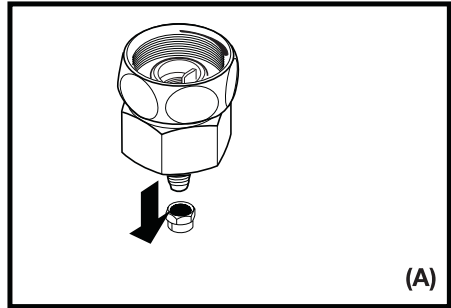
⚠ Caution: Secure the water pipe to suitable points by means of the pipe clips supplied to avoid any damage or displacement or accidental disconnection.

⚠ Caution: After turning on the water valve, make sure that there is no leakage at both connection points of the water pipe. In case of a leak, turn off the valve immediately and tighten all joints again using a spanner or a pair of pliers.

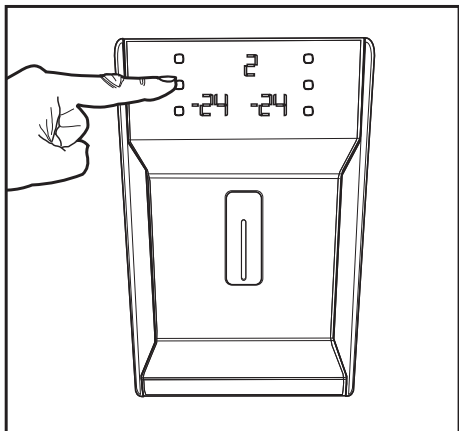
⚠ Caution: Make sure that standard 1/2" valve fitting fed by cold mains water supply is available and is turned off fully.

To fit the water filter follow the instructions below referring to figures supplied:

1. Press ice cancel button on the display.

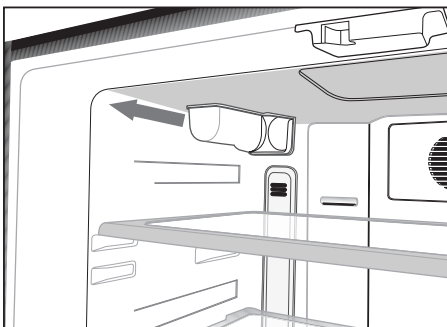


2. Remove the filter cover in the fridge



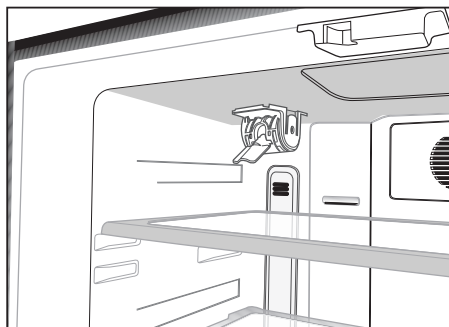
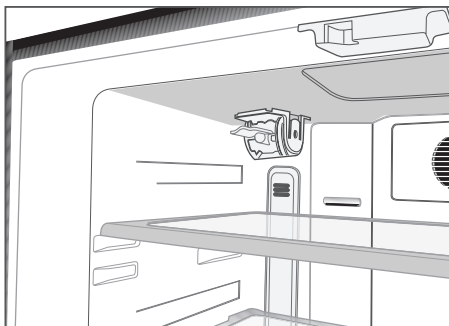
compartment by pulling it forward.

3. Take out the water filter by-pass cover



by rotating it downwards.

⚠ Caution: Make sure that the "Ice off"



mode is active before taking out the by-pass cover.

Note: It is normal that a few drops of water drip after the cover has been taken out.

4. Remove the lid on top of the water filter to place it as shown in the figure and turn upwards to lock it.
5. Press ice cancel button on the display again to exit from this mode.

Water filter should be replaced every 6 months.

If you want to have the filter change time calculated automatically and receive a warning at the end of usage time, please read "Calculating the Filter Usage Time Automatically" section.

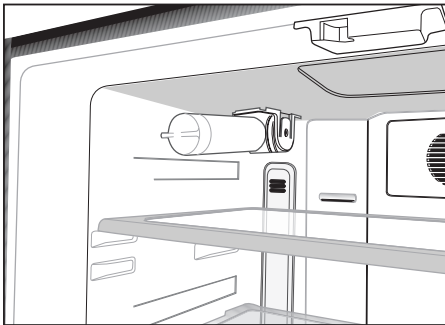
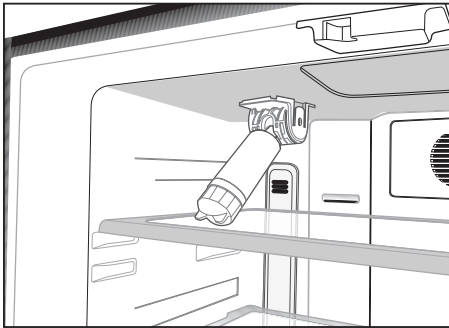
The water filter must be removed as

shown in the figure when it is going to be replaced or when it will no longer be used and by-pass cover must be attached. It must be made sure that Ice Off mode is active before taking it out.

⚠ Caution: Water filter cleans some foreign particles in the water. It does not purify water from microorganisms.

⚠ Caution: Ice Off button must always be pressed during replacement of the water filter or installing the by-pass cover.

Prior to first use of Water



Dispenser

i Water mains pressure must not be below 100 kpa.

i Water mains pressure must not 800 kpa.

i Pumps must be used in case the supply water pressure drops below 1 bar or if a bottle is going to be used.

i Water system of the refrigerator must be connected to the cold water line. It must not be connected to hot water line.

i No water may be obtained in the initial operation of the refrigerator. This is caused by the air in the system. To discharge air from the system, press Dispenser latch for periods of 1 minute until water comes from the Dispenser. Water flow may be irregular in the beginning. Irregular water flow will be normalized after the air in the system is discharged.

i At the initial startup of the refrigerator approx.12 hours must pass before cold water can be obtained.

i Water mains pressure must be between 100 - 800 kpa for the operation of Ice/Water Dispenser smoothly. For this, check that 1 glass of water (100 cc) can be filled in 10 seconds.

i The first 10 glasses of water should not be consumed.

i Approximately the first 30 cubes of ice to be obtained from the Ice Dispenser must not be used.

i Always use the water filter when a bottle is not being used.

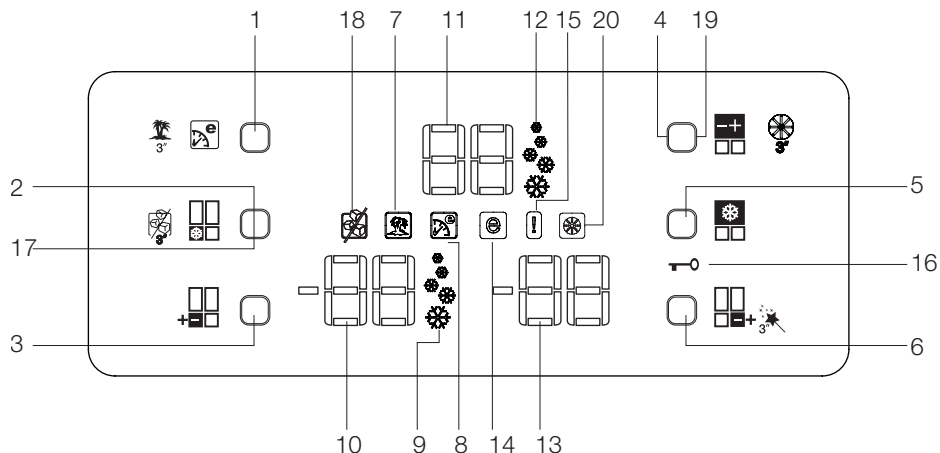
4 Preparation

- i** Your refrigerator should be installed at least 30 cm away from heat sources such as hobs, ovens, central heater and stoves and at least 5 cm away from electrical ovens and should not be located under direct sunlight.
- i** The ambient temperature of the room where you install your refrigerator should at least be 10°C. Operating your refrigerator under cooler conditions than this is not recommended with regard to its efficiency.
- i** Please make sure that the interior of your refrigerator is cleaned thoroughly.
- i** If two refrigerators are to be installed side by side, there should be at least 2 cm distance between them.
- i** When you operate your refrigerator for the first time, please observe the following instructions during the initial six hours.
 - The door should not be opened frequently.
 - It must be operated empty without any food in it.
 - Do not unplug your refrigerator. If a power failure occurs out of your control, please see the warnings in the “Recommended solutions for the problems” section.
- i** Original packaging and foam materials should be kept for future transportations or moving.

5 Using your refrigerator

Indicator Panel

This touch-control indicator panel allows you to set the temperature without opening the door of your refrigerator. Just touch the relevant button with your finger to set the temperature.



1. Eco-Extra / Vacation Button
2. Fast Freeze Button
3. Freezer Compartment Temperature Setting Button
4. Fridge Compartment Temperature Setting Button
5. Quick Cool Button
6. Multi Zone Compartment Temperature Setting Button
7. Vacation Function Indicator
8. Eco-Extra Function Indicator
9. Fast Freeze Function Indicator
10. Freezer Compartment Temperature Indicator
11. Fridge Compartment Temperature Indicator
12. Quick Cool Function Indicator
13. Multi Zone Compartment Temperature Indicator
14. Economy Mode Indicator
15. Error Status Indicator
16. Key Lock Indicator
17. Ice Cancel Button
18. Ice Off indicator
19. Cancel Filter Change Warning Button
20. Filter Change Warning Indicator

1. Eco Extra/Vacation Button

Press this button briefly to activate the Eco Extra function. Press and hold this button for 3 sec. to activate the Vacation function. Press this button again to deactivate the selected function.

2. Fast Freeze Button

Press this button briefly to activate the Fast Freeze function. Press this button again to deactivate the selected function.

3. Freezer Compartment Temperature Setting Button

Press this button to set the temperature of the freezer compartment to -15 / -18 / -21 / -24 -15... respectively. Press this button to set the desired temperature for the Freezer Compartment.

4. Fridge Compartment Temperature Setting Button

Press this button to set the temperature of the fridge compartment to 8, 6, 4, 2, 8... respectively. Press this button to set the desired temperature for the Fridge Compartment.

5. Quick Cool Button

Press this button briefly to activate the Quick Cool function. Press this button again to deactivate the selected function.

6. Multi Zone Compartment Temperature Setting Button

You can set the Multi Zone Compartment either as a Freezer or a Cooler. Press and hold this button for a long time (3 sec) to set the Multi Zone Compartment as a Freezer or a Cooler. This compartment is set as a Freezer Compartment at factory.

If the Multi Zone Compartment is set as a Freezer, then the temperature of the Multi Zone Compartment will change as -15, -18, -21, -24, -15... respectively each time you press this button. If the Multi Zone Compartment is set as a Fridge, then the temperature of the Multi Zone Compartment will change as 10, 8, 6, 4, 2, 0, -6, ... respectively each time you press this button.

7. Vacation Function Indicator

Indicates that the vacation function is active. If this function is active, "- -" appears on the indicator of the fridge compartment and no cooling is performed in the fridge compartment. Other compartments will be cooled in accordance with the temperature set for them.

Press the relevant button again to deactivate this function.

8. Eco Extra Function Indicator

It indicates that the Eco-Extra function is active. If this function is active, your refrigerator will automatically detect the least usage periods and energy-efficient cooling will be performed during those times. Economy indicator will be active while energy-efficient cooling is performed.

Press the relevant button again to deactivate this function.

9. Quick Freeze Function Indicator

It indicates that the Fast Freeze function is active. Use this function when you place fresh food into the freezer compartment or when you need ice. When this function is active, your refrigerator will run for a certain period of time.

Press the relevant button again to deactivate this function.

10. Freezer Compartment Temperature Indicator

It indicates the temperature set for Freezer Compartment.

11. Fridge Compartment Temperature Indicator

Indicates the temperature set for Fridge Compartment.

12. Quick Cool Function Indicator

Indicates that the Quick Cool function is active. Use this function when you place fresh food into the fridge compartment or when you need to cool your food quickly. When this function is active, your refrigerator will run for 2 hours without stopping.

Press the relevant button again to deactivate this function.

13. Multi Zone Compartment Temperature Indicator

It indicates the temperature set for Multi Zone compartment.

14. Economy Mode Indicator

Indicates that the refrigerator is running in energy-efficient mode. Freezer Compartment temperature

This indicator will be active if the function is set to -15 or the energy efficient cooling is being performed due to Eco-Extra function.

15. Error Status Indicator

If your refrigerator does not cool adequately or if there is a sensor failure, this indicator will be activated. When this indicator is active, Freezer Compartment Temperature indicator will display "E" and Fridge Compartment Temperature Indicator will display numbers such as "1,2,3...". These numbers on the indicator provides information about the error to the service personnel.

16. Key Lock Indicator

Use this function if you do not want your refrigerator temperature setting changed. Press Quick Cool Button and Flexi Zone Compartment Temperature Setting Button simultaneously for a long time (3 sec) to activate this feature.

Press the relevant buttons again to deactivate this function.

17. Ice Cancel Button

To stop ice formation, ice cancel button is pressed for 3 seconds. When ice cancel is selected, no water will be sent to the ice box. Despite this, some ice may be leftover in the ice box which may be taken from there. To restart ice formation, ice cancel button has to be pressed for 3 seconds.

18. Ice Cancel Indicator

If you do not want to get ice from the refrigerator, you need to use this function. You may use this function by pressing the ice cancel button for 3 seconds.

19. Cancel Filter Change Warning Button

Filter of your refrigerator must be replaced every 6 months. If you apply instructions on page 22, your refrigerator calculates this time automatically and the filter change warning indicator illuminates when the filter usage time has elapsed. Press Cancel filter change warning button for 3 seconds to allow the refrigerator to calculate the new filter time automatically after changing the filter.

20. Cancel Filter Change Warning Indicator

When the filter usage time has elapsed, filter change warning indicator starts to illuminate.

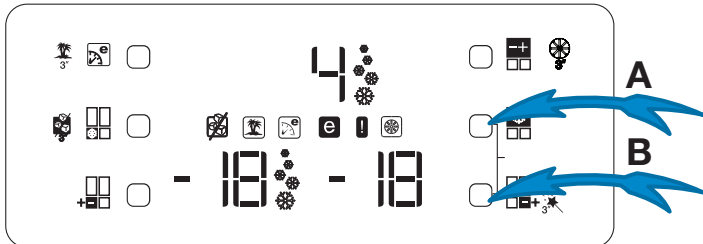
Door Open Alarm:

In case of leaving any of the Fridge Compartment or Flexi Zone Compartment doors open minimum for 1 minute, audible Door Open Alarm will be activated and heard. Just press any button on the indicator or close the open door to silence the alarm.

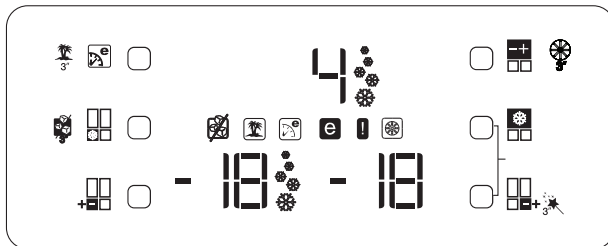
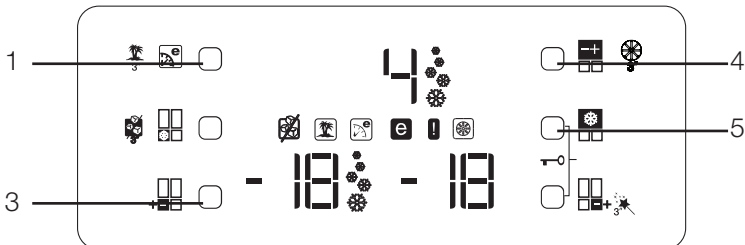
Things to do to have the filter usage time calculated automatically

(For products connected to the mains water line and equipped with filter)

1- After plugging the refrigerator in, press A and B buttons together to activate the key lock.



2- Then press Eco-Extra (1), Fridge Compartment Temperature Setting (4), Quick Cool (5) and Freezer Compartment Temperature Setting (3) buttons respectively.



If button configuration is pressed in the correct order, key lock symbol will go off, buzzer will be activated shortly, and Filter change warning indicator illuminates. Press cancel filter change warning button (Item 19 in display descriptions) after changing the filter to have the filter usage time calculated automatically.

NOTE:

1. If the filter usage time is being calculated automatically, filter change warning indicator will illuminate continuously in a few seconds after the product is plugged in.
2. Automatic filter usage time calculation is not active ex factory. It must be activated in products equipped with a filter.
3. Repeat the same procedure in products whose automatic filter usage time calculation is activated in order to deactivate the filter usage time calculation.

Egg tray

You can install the egg holder to the desired door or body shelf.

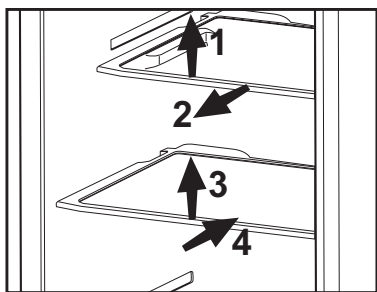
Never store the egg holder in the freezer compartment

Sliding Body Shelves

Sliding body shelves can be pulled by slightly lifting up from the front and moved back and forth. They come to a stop point when pulled towards front to allow you reach the foods placed at the back of the shelf; when it is pulled after slightly lifted upwards at the second stop point, the body shelf will be released.

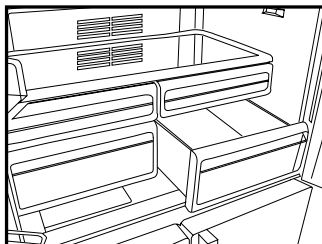
The shelf should be hold tightly from the bottom as well in order to prevent it from tipping over. The body shelf is placed on the rails at the sides of the refrigerator body by bringing it to one lower or one upper level.

The body shelf should be pushed backwards to seat it completely.



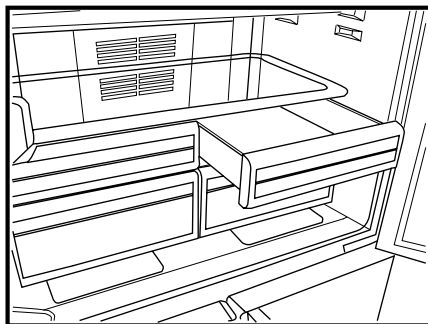
Crisper

Crisper of your refrigerator is designed specially to keep your vegetables freshly without losing their humidity. For this purpose, cool air circulation occurs around the crisper in general. Remove the door shelves that align with the crisper before removing the crispers. You can remove the crispers as illustrated in the figure.



0 °C compartment

0 °C compartments enable the foods to be frozen become ready for freezing. You can also use these compartments to store your food at a temperature a few degrees below the fridge compartment. You can increase the inner volume of your refrigerator by removing any of the 0 °C compartments. To do this, pull the compartment towards yourself; the compartment will lean against the stopper and stop. This compartment will be released when you lift it about 1 cm and pull it towards yourself.



Movable Middle Section

Movable middle section is intended to prevent the cold air inside your refrigerator from escaping outside.

1- Sealing is provided when the gaskets on the door presses on the surface of the movable middle section while the fridge compartment doors are closed.

2- Another reason that your refrigerator is equipped with a movable middle section is that it increases the net volume of the fridge compartment. Standard middle sections occupy some non-usable volume in the refrigerator.

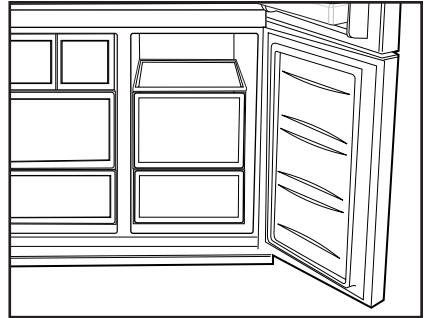
3- Movable middle section is closed when the left door of the fridge compartment is closed.

4- It must not be opened manually. It moves under the guidance of the plastic part on the body while the door is closed.

Multi Zone Storage Compartment

The Multi Zone Storage Compartment of your refrigerator may be used in any desired mode by adjusting it to fridge (2/4/6/8 °C) or freezer (-15/-18/-21/-24) temperatures. You can keep the compartment in the desired temperature with the Multi Zone Storage Compartment Temperature Setting Button. The temperature of the Multi Zone Storage Compartment may be set to 0 and 10 degrees in addition to the fridge compartment temperatures and to -6 degrees in addition to the freezer compartment temperatures. 0 degree is used to store the deli products longer, and -6 degrees is used to keep the meats up to 2 weeks in an easily cuttable condition.

❏ The feature of switching to a Fridge or Freezer compartment is provided by a cooling element located in the closed section (Compressor Compartment) behind the refrigerator. During operation of this element, sounds similar to the sound of seconds heard from an analog clock may be heard. This is normal and is not fault cause.



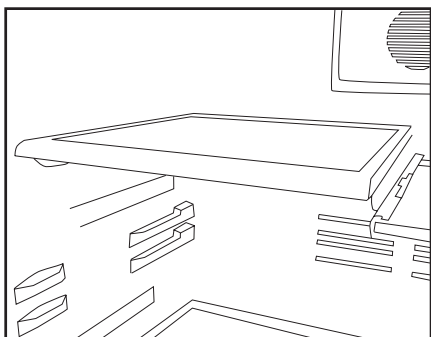
Blue light

Foodstuff stored in the crispers that are enlightened with a blue light continue their photosynthesis by means of the wavelength effect of blue light and thus, preserve their freshness and increase their vitamin content.



Sliding Body Shelves With Rear Hangers

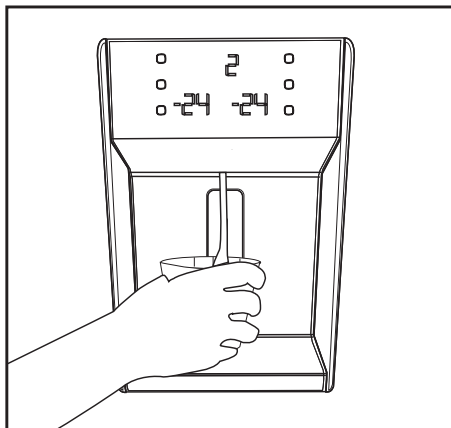
Sliding body shelves with rear hangers can be moved back and forth. Height of these shelves can be adjusted by removing and then installing them to upper or lower positions. Raise the shelf up slightly and pull towards yourself to remove it.



Using the water spring Warnings

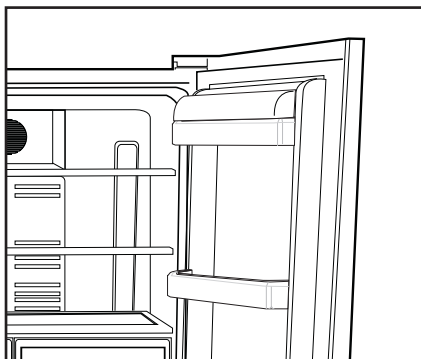
It is normal for the first few glasses of water taken from the dispenser to be warm.

In cases where the water dispenser has not been used frequently, sufficient amount of water must be drained from the dispenser to get fresh water.



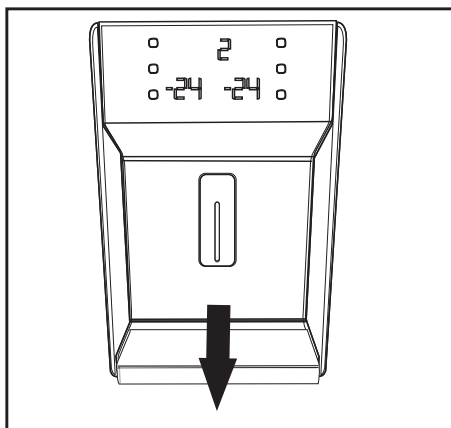
Butter & Cheese Section

You can store food such as butter, cheese, and margarine in this section which has a lid.



Spillage Tray

Water drops that drip during use, accumulates in the spillage tray. You can remove spillage tray by pulling it to yourself or pressing on its edge (depending on the model). You can remove the water with a sponge or a soft cloth.



Minibar

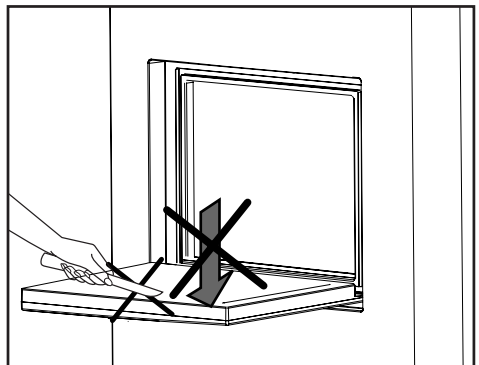
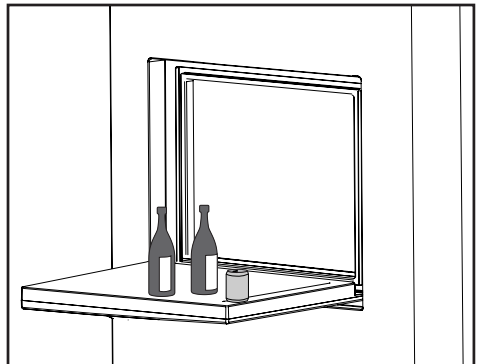
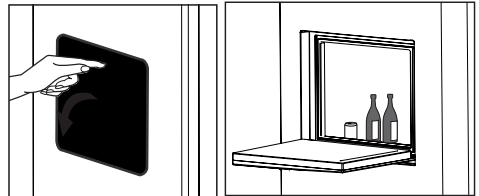
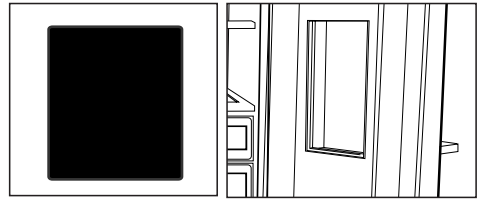
Minibar door provides you extra comfort when using your refrigerator. The door shelf in the refrigerator can be accessed without opening the refrigerator door; thanks to this feature, you can easily pick from the refrigerator the foods and drinks which you frequently consume. Since you do not have to open the refrigerator door frequently, you will have decreased the power consumption of refrigerator.

To open the minibar door, press by your hand on the minibar and pull back to open.

When the door of minibar is open, you may use the inner face of the door as a table on which you may put your bottles and glasses for a short time as shown in the figure.

⚠ Caution: Never do things that may put pressure on the door such as sitting on, climbing up or hanging to the table and do not place heavy objects on it. This may cause damage on the refrigerator or personal injuries.

⚠ Caution: Never perform cutting on the Minibar door and be careful that the door is not damaged by pointed objects.



6 Cleaning and care

- ⚠ Never use gasoline, benzene or similar substances for cleaning purposes.
- ⚠ We recommend that you unplug the appliance before cleaning.
- ⓘ Never use any sharp abrasive instrument, soap, household cleaner, detergent and wax polish for cleaning.
- ⓘ Use lukewarm water to clean the cabinet of your refrigerator and wipe it dry.
- ⓘ Use a damp cloth wrung out in a solution of one teaspoon of bicarbonate of soda to one 600 mls of water to clean the interior and wipe it dry.
- ⚠ Make sure that no water enters the lamp housing and other electrical items.
- ⚠ If your refrigerator is not going to be used for a long period of time, unplug the power cable, remove all food, clean it and leave the door ajar.
- ⓘ Check door seals regularly to ensure they are clean and free from food particles.
- ⚠ To remove door racks, remove all the contents and then simply push the door rack upwards from the base.

Protection of plastic surfaces

- ⓘ Do not put the liquid oils or oil-cooked meals in your refrigerator in unsealed containers as they damage the plastic surfaces of your refrigerator. In case of spilling or smearing oil on the plastic surfaces, clean and rinse the relevant part of the surface at once with warm water.

7 Recommended solutions for the problems

Please review this list before calling the service. It might save you time and money. This list includes frequent complaints that are not arising from defective workmanship or material usage. Some of the features described here may not exist in your product.

The refrigerator does not operate
<ul style="list-style-type: none">• Is the refrigerator properly plugged in? Insert the plug to the wall socket.• Is power available to the wall socket? If not, please check main power switch board circuit breaker/fuse. Please reset circuit breaker and if trips again please contact a qualified electrician.
Condensation on the side wall of the fridge compartment. (MULTI ZONE, COOL CONTROL ve FLEXI ZONE)
<ul style="list-style-type: none">• Very cold ambient conditions. Frequent opening and closing of the door. Highly humid ambient conditions. Storage of food containing liquid in open containers. Leaving the door ajar.• Switching the thermostat to a colder degree.• Decreasing the time the door left open or using it less frequently.• Covering the food stored in open containers with a suitable material.• Wipe the condensation using a dry cloth and check if it persists.
Compressor is not running
<ul style="list-style-type: none">• Safety device for compressor may trip during sudden or interrupted power supply. It may also trip when the refrigerator has been moved.• Your refrigerator will start running after approximately 10 minutes. Please call the service agent if your refrigerator does not startup at the end of this period.• The fridge is in defrost cycle. This is normal for a full-automatically defrosting refrigerator. Defrosting cycle occurs periodically.• Your refrigerator is not plugged into the socket. Make sure that the plug is inserted tightly to the wall socket.• Are the temperature adjustments correctly made? There is a power failure. Call your electricity supplier.
The fridge is running frequently or for a long time.

- The ambient room temperature may be high. This is quite normal.
- The refrigerator may have just been switched on. Allow sufficient cooling time.
- Large amounts of hot food might have been put in the refrigerator recently. Hot food causes longer running of the refrigerator until they reach the safe storage temperature.
- Doors might have been opened frequently or left ajar for a long time. The warm air that has entered into the refrigerator causes the refrigerator to run for longer periods.
- Freezer or fridge compartment door might have been left ajar. Check if the doors are properly closed.
- The refrigerator is adjusted to a very low temperature. Adjust the refrigerator temperature to a warmer degree and wait until the temperature is achieved.
- Door seal of the fridge or freezer may be soiled, worn out, broken or not properly seated. Clean or replace the seal. Damaged/broken seal causes the refrigerator to run for a longer period of time in order to maintain the current temperature.

Freezer temperature is very low while the fridge temperature is sufficient.

- The freezer temperature is adjusted to a very cold temperature. Adjust the freezer temperature to a warmer degree and check.

Fridge temperature is very low while the freezer temperature is sufficient.

- The fridge temperature is adjusted to a very cold temperature. Adjust the fridge temperature to a warmer degree and check.

Food kept in the fridge compartment drawers are freezing.

- The fridge temperature is adjusted to a very cold temperature. Adjust the fridge temperature to a warmer degree and check.

Temperature in the fridge or freezer is too warm.

- The fridge temperature is adjusted to a warm setting. Fridge adjustment has an effect on the temperature of the freezer. Change the temperature of the fridge or freezer until the fridge or freezer temperature reaches to a desired level.
- The door might be left ajar. Close the door completely.
- Large amounts of hot food might have been put in the refrigerator recently. Wait until the fridge or freezer reaches the desired temperature.
- Refrigerator might have been plugged in recently. Cooling down of the refrigerator completely takes to be reach the desired temperature.

A ticking noise is coming from the refrigerator.

<ul style="list-style-type: none"> This noise is coming from the solenoid valve of the refrigerator. Solenoid valve functions for the purpose of ensuring coolant passage through the compartment which can be adjusted to cooling or freezing temperatures, and performing cooling functions. This is normal and is not fault cause.
The operation noise increases when the refrigerator is running.
<ul style="list-style-type: none"> The operating performance characteristics of the refrigerator may change according to the changes in the ambient temperature. It is normal and not a fault.
Vibrations or noise.
<ul style="list-style-type: none"> The floor is not even the refrigerator rocks when moved slowly. Make sure that the refrigerator has been levelled. The noise may be caused by the items put onto the refrigerator. Such items should be removed from the top of the refrigerator.
There are noises like liquid spilling or spraying.
<ul style="list-style-type: none"> Liquid and gas flows happen in accordance with the operating principles of your refrigerator. It is normal and not a fault.
There is a noise like wind blowing.
<ul style="list-style-type: none"> Fans are used in order to allow the refrigerator to cool efficiently. It is normal and not a fault.
Condensation on the inner walls of refrigerator.
<ul style="list-style-type: none"> Hot and humid weather increases icing and condensation. It is normal and not a fault. The doors are ajar. Make sure that the doors are closed completely. Doors might have been opened very frequently or they might have been left open for long time. Open the door less frequently.
Humidity occurs on the outside of the refrigerator or between the doors.
<ul style="list-style-type: none"> The weather may be humid. This is quite normal in humid weather. When the humidity is less, condensation will disappear.
Bad odor inside the refrigerator.
<ul style="list-style-type: none"> Inside of the refrigerator must be cleaned. Clean the inside of the refrigerator with a sponge, warm water or carbonated water. Some containers or packaging materials might be causing the smell. Use a different container or different brand packaging material.
The door(s) is (are) not closing.
<ul style="list-style-type: none"> Food packages may prevent the door's closing. Reposition the packages that are obstructing the door. The refrigerator is not correctly levelled on the floor and it might be rocking when slightly moved. Adjust the elevation screws.
Crispers are stuck.
<ul style="list-style-type: none"> The food might be touching the ceiling of the drawer. Rearrange food in the drawer.

8 Beko Customer Care

Before you call Beko for service or assistance...

Refer to your User Guide and check the following:

1. Your Appliance is correctly installed.
2. Your Appliance is connected to power.
3. You are familiar with its normal mode of operation
4. You have read the 'Recommended solutions for the problems'

If after checking the points above, the problem still exists, please call our Beko Customer Care hotline as listed below:-

If calling from Australia...

Beko Customer Care and talk to one of our consultants.

Toll Free Toll Free 1300AUBEKO 1300 282 356

Email: Beko.care@Beko.com * **Fax:** (07) 55493546

If calling from New Zealand....

Beko Customer Care and talk to one of our consultants.

Toll Free 0800NZBEKO 0800 69 2356

Email: Beko.care@Beko.com * **Fax:** (+617) 55493546

*** If you contact us by Email please provide the following details:**

Your name and Address

Date of Purchase

Model Number

Serial Number

Complete description of the problem or request



57 0350 0000/AF

www.beko.com.au

Free Manuals Download Website

<http://myh66.com>

<http://usermanuals.us>

<http://www.somanuals.com>

<http://www.4manuals.cc>

<http://www.manual-lib.com>

<http://www.404manual.com>

<http://www.luxmanual.com>

<http://aubethermostatmanual.com>

Golf course search by state

<http://golfingnear.com>

Email search by domain

<http://emailbydomain.com>

Auto manuals search

<http://auto.somanuals.com>

TV manuals search

<http://tv.somanuals.com>