

beko



Refrigerator
Kühlschrank
Réfrigérateur
Koelkast
Frigorífico

GNE114622X
GNE114632X

Please read this user manual first!

Dear Customer,

We hope that your product, which has been produced in modern plants and checked under the most meticulous quality control procedures, will provide you an effective service.

Therefore, read this entire user manual carefully before using the product and keep it as a reference. If you handover the product to someone else, give the user manual as well.

The user manual will help you use the product in a fast and safe way.


- Read the manual before installing and operating the product.
- Make sure you read the safety instructions.
- Keep the manual in an easily accessible place as you may need it later.
- Read the other documents given with the product.

Remember that this user manual is also applicable for several other models. Differences between models will be identified in the manual.

Explanation of symbols

Throughout this user manual the following symbols are used:

 Important information or useful tips.

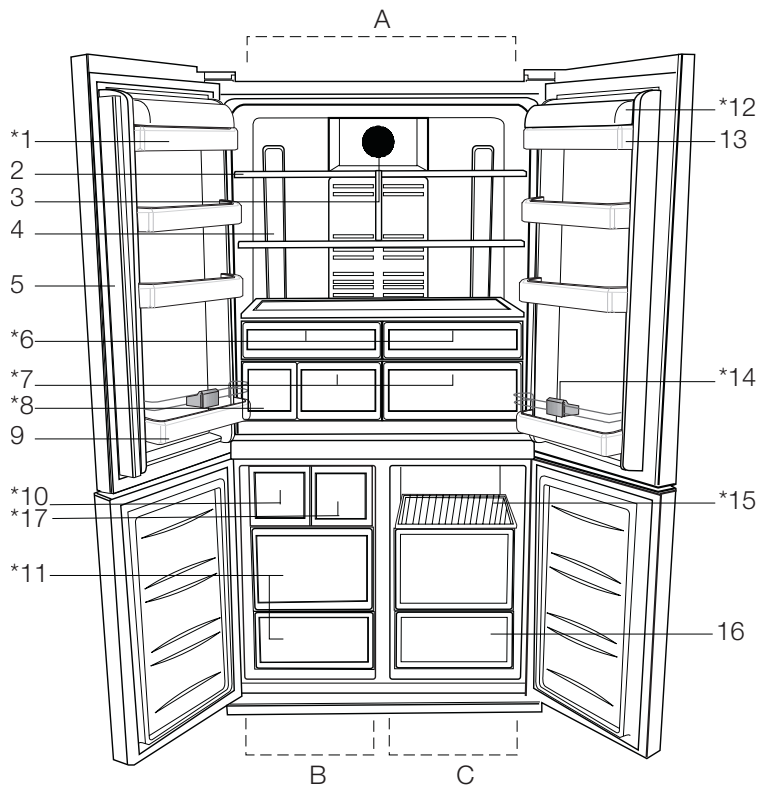
 Warning against dangerous conditions for life and property.

 Warning against electric voltage.

CONTENTS

1 Your refrigerator	4	4 Preparation	16
2 Important Safety Warnings	5	5 Using your refrigerator	17
Intended use	5	Butter & Cheese section	21
General safety	5	Sliding Body Shelves	22
For products with a water dispenser; ..	9	Egg tray.....	22
Child safety.....	9	Crisper	22
Compliance with WEEE Directive and Disposing of the Waste Product:	9	Chiller compartment	22
Package information.....	10	Flexi Zone Storage Compartment ..	23
HC warning	10	Rotating Middle Section	23
Things to be done for energy saving 10		Blue light	23
Recommendations for the fresh food compartment.....	11	6 Maintenance and cleaning	24
		Protection of plastic surfaces	24
3 Installation	12	7 Troubleshooting	25
Points to be considered when re- transporting your refrigerator	12		
Before operating your refrigerator	12		
Electric connection	13		
Disposing of the packaging	13		
Disposing of your old refrigerator	13		
Placing and Installation	13		
Floor balance adjustment	14		
Adjusting the gap between the upper door	15		

1 Your refrigerator



- | | | | |
|----|---|-----|----------------------------------|
| A- | Fridge compartment | 9- | Bottle shelf |
| B- | Freezer compartment | 10- | Icematic |
| C- | Flexi Zone | 11- | Frozen food storage compartments |
| 1- | Fridge compartment door shelves | 12- | Butter & Cheese shelf cover |
| 2- | Fridge compartment adjustable cabinet shelves | 13- | Butter & Cheese shelf |
| 3- | Diffuser cover | 14- | Bottle holder |
| 4- | Illumination lens | 15- | Storage compartments |
| 5- | Rotating middle section | 16- | Flexi Zone compartment |
| 6- | Chiller compartment | 17- | Fresh freezer drawer |
| 7- | Crisper | | |
| 8- | Water tank | | |

*** OPTIONAL**

Figures that take place in this instruction manual are schematic and may not correspond exactly with your product. If the subject parts are not included in the product you have purchased, then it is valid for other models.

2 Important Safety Warnings

Please review the following information. Failure to observe this information may cause injuries or material damage. Otherwise, all warranty and reliability commitments will become invalid.

The service life of your product is 10 years. During this period, original spare parts will be available to operate the product properly.

Intended use

This product is intended to be used

- indoors and in closed areas such as homes;
- in closed working environments such as stores and offices;
- in closed accommodation areas such as farm houses, hotels, pensions.
- It should not be used outdoors.

General safety

- When you want to dispose/scrap the product, we recommend you to consult the

authorized service in order to learn the required information and authorized bodies.

- Consult your authorized service for all your questions and problems related to the refrigerator. Do not intervene or let someone intervene to the refrigerator without notifying the authorised services.
- For products with a freezer compartment; Do not eat cone ice cream and ice cubes immediately after you take them out of the freezer compartment! (This may cause frostbite in your mouth.)
- For products with a freezer compartment; Do not put bottled and canned liquid beverages in the freezer compartment. Otherwise, these may burst.
- Do not touch frozen food by hand; they may stick to your hand.

- Unplug your refrigerator before cleaning or defrosting.
- Vapor and vaporized cleaning materials should never be used in cleaning and defrosting processes of your refrigerator. In such cases, the vapor may get in contact with the electrical parts and cause short circuit or electric shock.
- Never use the parts on your refrigerator such as the door as a means of support or step.
- Do not use electrical devices inside the refrigerator.
- Do not damage the parts, where the refrigerant is circulating, with drilling or cutting tools. The refrigerant that might blow out when the gas channels of the evaporator, pipe extensions or surface coatings are punctured causes skin irritations and eye injuries.
- Do not cover or block the ventilation holes on your refrigerator with any material.
- Electrical devices must be repaired by only authorised persons. Repairs performed by incompetent persons create a risk for the user.
- In case of any failure or during a maintenance or repair work, disconnect your refrigerator's mains supply by either turning off the relevant fuse or unplugging your appliance.
- Do not pull by the cable when pulling off the plug.
- Place the beverage with higher proofs tightly closed and vertically.
- Never store spray cans containing flammable and explosive substances in the refrigerator.
- Do not use mechanical devices or other means to accelerate the defrosting process, other than those recommended by the manufacturer.
- This product is not intended to be used by

persons with physical, sensory or mental disorders or unlearned or inexperienced people (including children) unless they are attended by a person who will be responsible for their safety or who will instruct them accordingly for use of the product

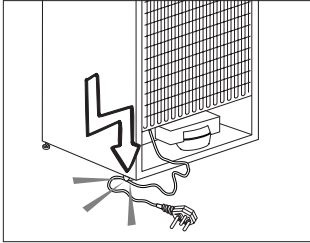
- Do not operate a damaged refrigerator. Consult with the service agent if you have any concerns.
- Electrical safety of your refrigerator shall be guaranteed only if the earth system in your house complies with standards.
- Exposing the product to rain, snow, sun and wind is dangerous with respect to electrical safety.
- Contact authorized service when there is a power cable damage to avoid danger.
- Never plug the refrigerator into the wall outlet during installation. Otherwise, risk of death

or serious injury may arise.

- This refrigerator is intended for only storing food items. It must not be used for any other purpose.
- Label of technical specifications is located on the left wall inside the refrigerator.
- Never connect your refrigerator to electricity-saving systems; they may damage the refrigerator.
- If there is a blue light on the refrigerator, do not look at the blue light with optical tools.
- For manually controlled refrigerators, wait for at least 5 minutes to start the refrigerator after power failure.
- This operation manual should be handed in to the new owner of the product when it is given to others.
- Avoid causing damage on power cable when transporting the refrigerator. Bending cable may cause fire.

Never place heavy objects on power cable.

- Do not touch the plug with wet hands when plugging the product.



- Do not plug the refrigerator if the wall outlet is loose.
- Water should not be sprayed on inner or outer parts of the product for safety purposes.
- Do not spray substances containing inflammable gases such as propane gas near the refrigerator to avoid fire and explosion risk.
- Never place containers filled with water on top of the refrigerator; in the event of spillages, this may cause electric shock or fire.

- Do not overload the refrigerator with food. If overloaded, the food items may fall down and hurt you and damage refrigerator when you open the door.
- Never place objects on top of the refrigerator; otherwise, these objects may fall down when you open or close the refrigerator's door.
- As they require a precise temperature, vaccines, heat-sensitive medicine and scientific materials and etc. should not be kept in the refrigerator.
- If not to be used for a long time, refrigerator should be unplugged. A possible problem in power cable may cause fire.
- The plug's tip should be cleaned regularly with a dry cloth; otherwise, it may cause fire.
- Refrigerator may move if adjustable legs are not properly secured on the floor. Properly securing adjustable legs on the floor can prevent the refrigerator to move.

- When carrying the refrigerator, do not hold it from door handle. Otherwise, it may be snapped.
- When you have to place your product next to another refrigerator or freezer, the distance between devices should be at least 8cm. Otherwise, adjacent side walls may be humidified.

For products with a water dispenser;

- In order to operate the water circuit of the refrigerator smoothly, the water mains pressure must be between 1-8 bars. For conditions where water mains pressure exceeds 5 bars a pressure regulator should be used. If the water mains pressure exceeds 8 bars then the refrigerator's water circuit should not be connected to the water mains. If you lack the knowledge of how to measure the water mains pressure, please

seek a professional support. Use drinking water only.

- Use only potable water.

Child safety

- If the door has a lock, the key should be kept away from reach of children.
- Children must be supervised to prevent them from tampering with the product.

Compliance with WEEE Directive and Disposing of the Waste Product:



This product complies with EU WEEE Directive (2012/19/EU). This product bears a classification symbol for waste electrical and electronic equipment

(WEEE).

This product has been manufactured with high quality parts and materials which can be reused and are suitable for recycling. Therefore, do not dispose the product with normal domestic waste at the end of its service life. Take it to a collection point for the recycling of electrical and electronic equipment. Please consult your local authorities to learn the nearest collection point.

Help protect the environment and natural resources by recycling used products. For children's safety, cut the power cable and break the locking mechanism of the door, if any, so that it will be non-functional before disposing of the product.

Package information

Packaging materials of the product are manufactured from recyclable materials in accordance with our National Environment Regulations. Do not dispose of the packaging materials together with the domestic or other wastes. Take them to the packaging material collection points designated by the local authorities.

Do not forget...

Any recycled substance is an indispensable matter for nature and our national asset wealth.

If you want to contribute to the re-evaluation of the packaging materials, you can consult to your environmentalist organizations or the municipalities where you are located.

HC warning

If your product's cooling system contains R600a:

This gas is flammable. Therefore, pay attention to not damaging the cooling system and piping during usage and transportation. In the event of damage, keep your product away from potential fire sources that can cause the product catch a fire and ventilate the room in which the unit is placed.

Ignore this warning if your product's cooling system contains R134a.

Type of gas used in the product is stated in the type label which is on the left wall inside the refrigerator.

Never throw the product in fire for disposal.

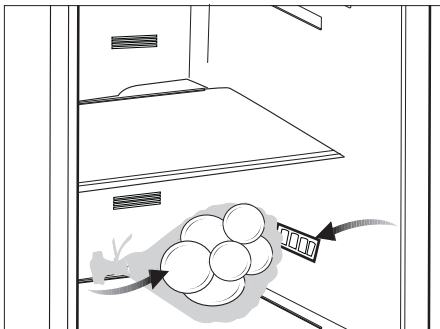
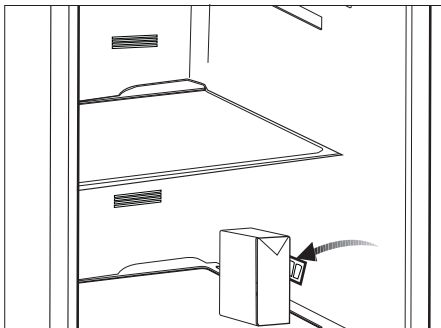
Things to be done for energy saving

- Do not leave the doors of your refrigerator open for a long time.
- Do not put hot food or drinks in your refrigerator.
- Do not overload your refrigerator so that the air circulation inside of it is not prevented.
- Do not install your refrigerator under direct sunlight or near heat emitting appliances such as ovens, dishwashers or radiators. Keep your refrigerator at least 30cm away from heat emitting sources and at least 5cm from electrical ovens.
- Pay attention to keep your food in closed containers.
- For products with a freezer compartment; You can store maximum amount of food items in the freezer when you remove the shelf or drawer of the freezer. Energy consumption value stated for your refrigerator has been determined by removing freezer shelf or drawer and under maximum load. There is no harm to use a shelf or drawer according to the shapes and size of food to be frozen.
- Thawing frozen food in fridge compartment will both provide energy saving and preserve the food quality.

Recommendations for the fresh food compartment

*optional

- Do not allow the food to touch the temperature sensor in fresh food compartment. To allow the fresh food compartment keep its ideal storage temperature, sensor must not be hindered by food.
- Do not place hot foods in the product.



3 Installation

⚠ Please remember that the manufacturer shall not be held liable if the information given in the instruction manual is not observed.

Points to be considered when re-transporting your refrigerator

1. Your refrigerator must be emptied and cleaned prior to any transportation.
2. Shelves, accessories, crisper and etc. in your refrigerator must be fastened securely by adhesive tape against any jolt before repackaging.
3. Packaging must be tied with thick tapes and strong ropes and the rules of transportation printed on the package must be followed.

Please do not forget...

Every recycled material is an indispensable source for the nature and for our national resources.

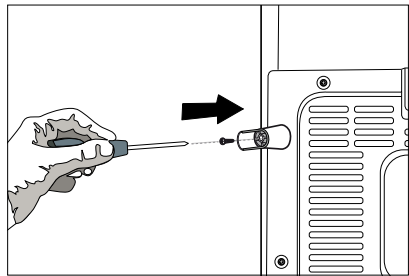
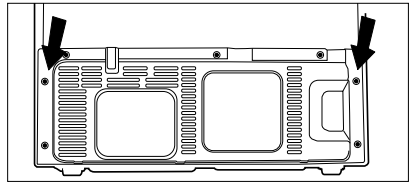
If you wish to contribute to recycling the packaging materials, you can get further information from the environmental bodies or local authorities.

Before operating your refrigerator

Before starting to use your refrigerator check the following:

1. Is the interior of the refrigerator dry and can the air circulate freely in the rear of it?

2. Insert the 2 plastic wedges onto the rear ventilation as illustrated in the following figure. Unscrew the existing ones and use the screws given in the same bag of wedges. Plastic wedges will provide the required distance between your refrigerator and the wall in order to allow the air circulation.



3. Clean the interior of the refrigerator as recommended in the "Maintenance and cleaning" section.
4. Plug the refrigerator into the wall outlet. When the door is open the respective interior light will come on.
5. You will hear a noise as the compressor starts up. The liquid and gases sealed within the refrigeration system may also give rise to noise, even if the compressor is not running and this is quite normal.
6. Front edges of the refrigerator may feel warm. This is normal. These areas are designed to be warm to avoid condensation.

Electric connection

Connect your refrigerator to a grounded socket which is being protected by a fuse with the appropriate capacity.

Important:

- The connection must be in compliance with national regulations.
 - The power cable plug must be easily accessible after installation.
 - Voltage and allowable fuse protection are specified in the "Technical Specifications" section.
 - The specified voltage must be equal to your mains voltage.
 - Extension cables and multiway plugs must not be used for connection.
- ⚠ A damaged power cable must be replaced by a qualified electrician.
- ⚠ The appliance must not be operated before it is repaired! There is danger of electric shock!

Disposing of the packaging

The packing materials may be dangerous for children. Keep the packing materials out of the reach of children or dispose them of by classifying them in accordance with the waste instructions. Do not dispose them of along with the normal household waste.

The packing of your refrigerator is produced from recyclable materials.

Disposing of your old refrigerator

Dispose of your old machine without giving any harm to the environment.

- You may consult your authorized dealer or waste collection center of your municipality about the disposal of your refrigerator.

Before disposing of your refrigerator, cut out the electric plug and, if there are any locks on the door, make them inoperable in order to protect children against any danger.

Placing and Installation

Caution: Never plug the refrigerator into the wall outlet during installation. Otherwise, risk of death or serious injury may arise.

If the entrance door of the room where the refrigerator will be installed is not wide enough for the refrigerator to pass through, than call the authorized service to have them remove the doors of your refrigerator and pass it sideways through the door.

1. Install your refrigerator to a place that allows ease of use.
2. Keep your refrigerator away from heat sources, humid places and direct sunlight.
3. There must be appropriate air ventilation around your refrigerator in order to achieve an efficient operation. If the refrigerator is to be placed in a recess in the wall, there must be at least 5 cm distance with the ceiling and at least 5 cm with the wall.

If the floor is covered with a carpet, your product must be elevated 2.5 cm from the floor.

4. Place your refrigerator on an even floor surface to prevent jolts.
5. Do not keep your refrigerator in ambient temperatures under -5°C .

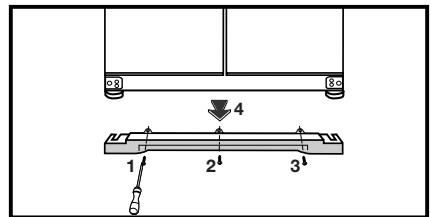
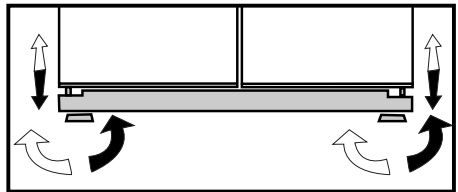
Floor balance adjustment

If your refrigerator is unbalanced;

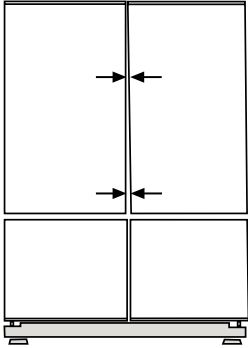
1- Ventilation cover is removed by unscrewing its screws as illustrated in the figure before the procedure. You can balance your refrigerator by turning the front legs of it as illustrated in the figure. The corner where the leg exists is lowered when you turn in the direction of black arrow and raised when you turn in the opposite direction. Taking help from someone to slightly lift the refrigerator will facilitate this process.

2. After the balance issue is remedied, install back the ventilation cover and fasten the screws.

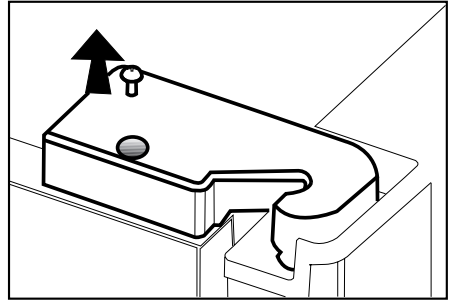
3. Remove the screws fastening the lower ventilation cover using a Phillips screwdriver.



Adjusting the gap between the upper door

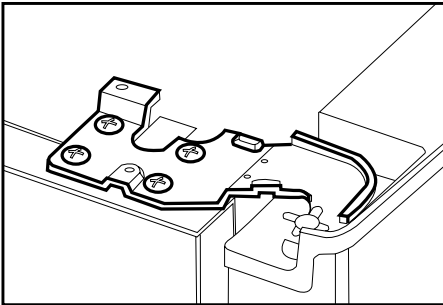


- You can adjust the gap between the fridge compartment doors as illustrated in the figures.

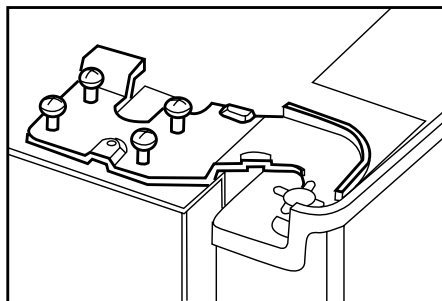
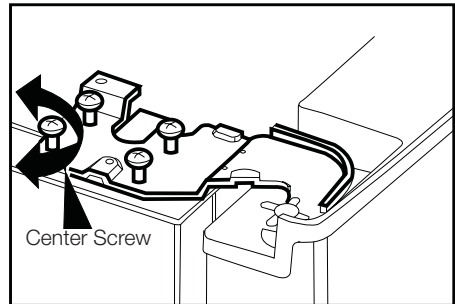


Door shelves should be empty when adjusting the door height.

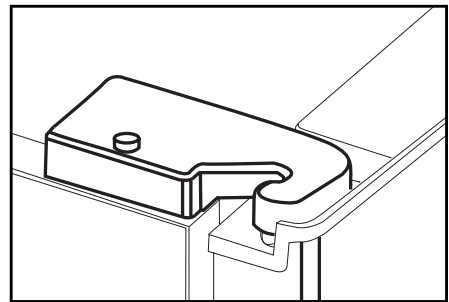
- Using a screwdriver, remove the screw of upper hinge cover of the door you want to adjust.



- Adjust the door as you desire by loosening the screws.



- Fix the door you have adjusted by tightening the screws without changing the position of the door.



- Replace the hinge cover and fix with the screw.

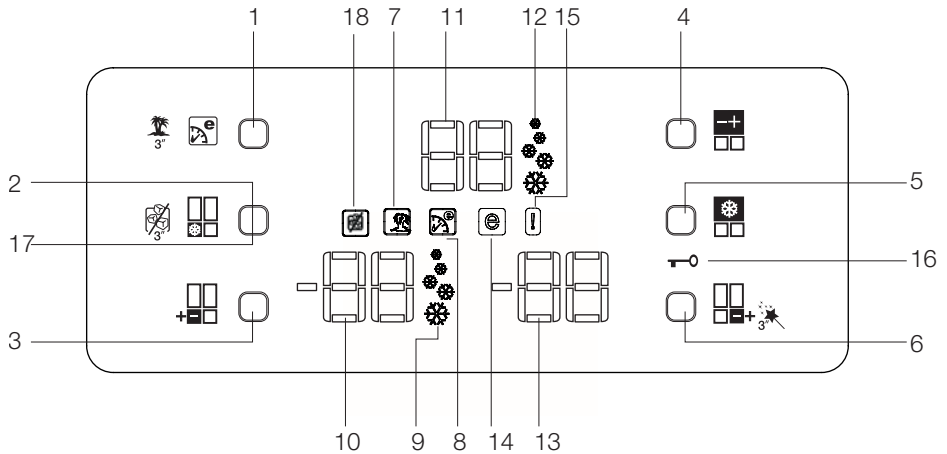
4 Preparation

- Your refrigerator should be installed at least 30 cm away from heat sources such as hobs, ovens, central heater and stoves and at least 5 cm away from electrical ovens and should not be located under direct sunlight.
- The ambient temperature of the room where you install your refrigerator should at least be -5°C . Operating your refrigerator under cooler conditions is not recommended with regard to its efficiency.
- Please make sure that the interior of your refrigerator is cleaned thoroughly.
- If two refrigerators are to be installed side by side, there should be at least 2 cm distance between them.
- When you operate your refrigerator for the first time, please observe the following instructions during the initial six hours.
- The door should not be opened frequently.
- It must be operated empty without any food in it.
- Do not unplug your refrigerator. If a power failure occurs out of your control, please see the warnings in the “Recommended solutions for the problems” section.
- Original packaging and foam materials should be kept for future transportations or moving.

5 Using your refrigerator

Indicator Panel

This touch-control indicator panel allows you to set the temperature without opening the door of your refrigerator. Just touch the relevant button with your finger to set the temperature.



1. Eco Extra/Vacation Button
2. Fast Freeze / Ice Off Button
3. Freezer Compartment Temperature Setting Button
4. Fridge Compartment Temperature Setting Button
5. Quick Cool Button
6. Flexi Zone Storage Compartment Temperature Setting Button
7. Vacation Function Indicator
8. Eco Extra Function Indicator
9. Quick Freeze Function Indicator
10. Freezer Compartment Temperature Indicator
11. Fridge Compartment Temperature Indicator
12. Quick Cool Function Indicator
13. Flexi Zone Storage Compartment Temperature Indicator
14. Economy Mode Indicator
15. Error Status Indicator
16. Key Lock Indicator
17. Ice off Function Button
18. Ice off Function Indicator

Figures that take place in this instruction manual are schematic and may not correspond exactly with your product. If the subject parts are not included in the product you have purchased, then it is valid for other models.

1. Eco Extra/Vacation Button

Press this button briefly to activate the Eco Extra function. Press and hold this button for 3 sec. to activate the Vacation function. Press this button again to deactivate the selected function.

2. Fast Freeze Button

Press this button briefly to activate the Fast Freeze function. Press this button again to deactivate the selected function.

3. Freezer Compartment Temperature Setting Button

Press this button to set the temperature of the freezer compartment to -18, -20, -22, -24, -18... respectively. Press this button to set the desired temperature for the Freezer Compartment.

4. Fridge Compartment Temperature Setting Button

Press this button to set the temperature of the fridge compartment to 8, 6, 4, 2, 8... respectively. Press this button to set the desired temperature for the Fridge Compartment.

5. Quick Cool Button

Press this button briefly to activate the Quick Cool function. Press this button again to deactivate the selected function.

6. Flexi Zone Storage Compartment Temperature Setting Button

You can set the Flexi Zone Storage Compartment either as a Freezer or a Cooler. Press and hold this button for 3 sec. to set the Flexi Zone Storage Compartment either as a Freezer or a Cooler. This compartment is set as a Freezer Compartment at factory.

If the Flexi Zone Storage Compartment is set as a Freezer, then the temperature of the Flexi Zone Storage Compartment will change as -18, -20, -22, -24, -18... respectively each time you press this button. If the Flexi Zone Storage Compartment is set as a Cooler, then the temperature of the Flexi Zone Storage Compartment will change as -6, 0, 2, 4, 6, 8, 10... respectively each time you press this button.

7. Vacation Function Indicator

Indicates that the vacation function is active. If this function is active, “- -“ appears on the indicator of the fridge compartment and no cooling is performed in the fridge compartment. Other compartments will be cooled in accordance with the temperature set for them.

Press the relevant button again to deactivate this function.

8. Eco Extra Function Indicator

Indicates that the Eco Extra function is active. If this function is active, your refrigerator will automatically detect the least usage periods and energy-efficient cooling will be performed during those times. Economy indicator will be active while energy-efficient cooling is performed.

Press the relevant button again to deactivate this function.

9. Quick Freeze Function Indicator

Indicates that the Quick Freezer function is active. Use this function when you place fresh food into the freezer compartment or when you need ice. When this function is active, your refrigerator will run for 6 hours without stopping.

Press the relevant button again to deactivate this function.

10. Freezer Compartment Temperature Indicator

Indicates the temperature set for Freezer Compartment.

11. Fridge Compartment Temperature Indicator

Indicates the temperature set for Fridge Compartment.

12. Quick Cool Function Indicator

Indicates that the Quick Cool function is active. Use this function when you place fresh food into the fridge compartment or when you need to cool your food quickly. When this function is active, your refrigerator will run for 2 hours without stopping.

Press the relevant button again to deactivate this function.

13. Flexi Zone Storage Compartment Temperature Indicator

Indicates the temperature set for Flexi Zone storage compartment.

14. Economy Mode Indicator

Indicates that the refrigerator is running in energy-efficient mode. Freezer Compartment temperature
This indicator will be active if the function is set to -18 or the energy efficient cooling is being performed due to Eco-Extra function.

15. Error Status Indicator

If your refrigerator does not cool adequately or if there is a sensor failure, this indicator will be activated. When this indicator is active, Freezer Compartment Temperature indicator will display "E" and Fridge Compartment Temperature Indicator will display numbers such as "1,2,3...". These numbers on the indicator provides information about the error to the service personnel.

16. Key Lock Indicator

Use this function if you do not want your refrigerator temperature setting changed. Press Quick Cool Button and Flexi Zone Storage Compartment Temperature Setting Button simultaneously for 3 sec. to activate this feature.

Press the relevant buttons again to deactivate this function.

17. Ice –off function button

To stop ice formation, ice-off function indicator is pressed for 3 seconds. When ice cancel is selected, no water will be sent to the ice box. Despite this, some ice may be leftover in the ice box which may be taken from there. To restart ice formation, ice-off function indicator has to be pressed for 3 seconds.

18. Ice –off function Indicator

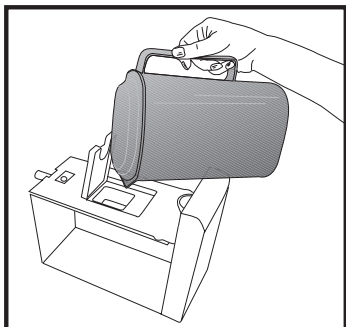
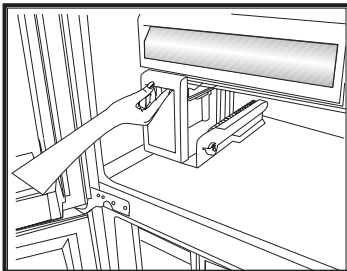
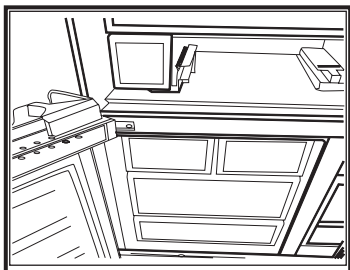
If you do not want to get ice from the refrigerator, you need to use this function. You may use this function by pressing the ice-off function indicator for 3 seconds.

Door Open Alarm:

If the either of the fridge compartment door or **Flexi Zone** Storage Compartment door remains open for minimum 1 minutes, audio Door Open Alarm will be activated. Just press any button on the indicator or close the open door to silence the alarm.

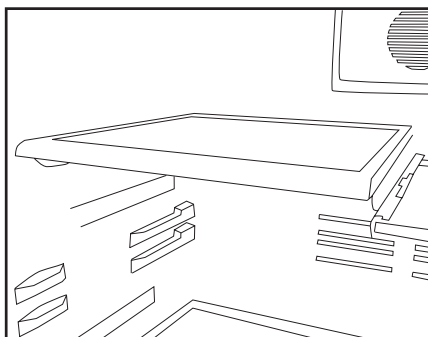
Auto Icematic

Auto Icematic system allows you to obtain ice from your refrigerator easily. Remove the water tank in the fridge compartment, fill it with water and install it back to obtain ice from the icematic. First ice will be ready in 2 hours in the ice drawer located in the freezer compartment. You can obtain 70 ice cubes if the water tank is completely full. Change the water in the water tank if it remains in the water tank for more than 2-3 weeks.



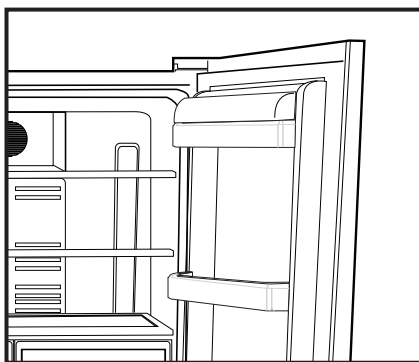
Sliding Body Shelves With Rear Hangers

Sliding body shelves with rear hangers can be moved back and forth. Their height can also be adjusted by removing and installing them to a lower or upper position. Raise the shelf up slightly and pull towards yourself to remove it.



Butter & Cheese section

Food such as butter, cheese and margarine are stored in this compartment that has a cover.



Egg tray

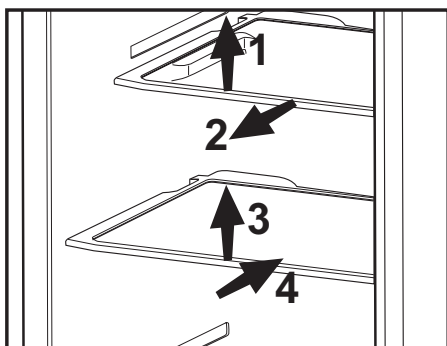
- You can install the egg holder to the desired door or body shelf.
- Never store the egg holder in the freezer compartment.

Sliding Body Shelves

- Sliding body shelves can be pulled by slightly lifting up from the front and moved back and forth. They come to a stop point when pulled towards front to allow you reach the foods placed at the back of the shelf; when it is pulled after slightly lifted upwards at the second stop point, the body shelf will be released.

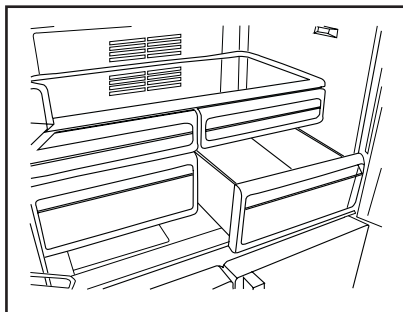
The shelf should be held tightly from the bottom as well in order to prevent it from tipping over. The body shelf is placed on the rails at the sides of the refrigerator body by bringing it to one lower or one upper level.

The body shelf should be pushed backwards to seat it completely.



Crisper

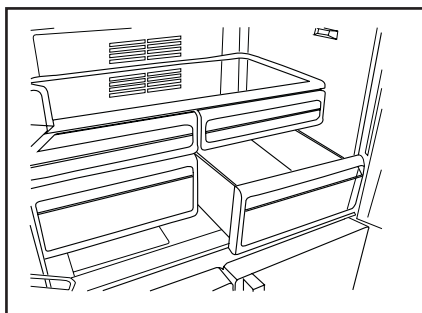
Crisper of your refrigerator is designed specially to keep your vegetables freshly without losing their humidity. For this purpose, cool air circulation occurs around the crisper in general.



Chiller compartment

Chiller compartments enable the foods to be frozen become ready for freezing. You can also use these compartments to store your food at a temperature a few degrees below the fridge compartment.

You can increase the inner volume of your refrigerator by removing any of the snack compartments. To do this, pull the compartment towards yourself; the compartment will lean against the stopper and stop. This compartment will be released when you lift it about 1 cm and pull it towards yourself.

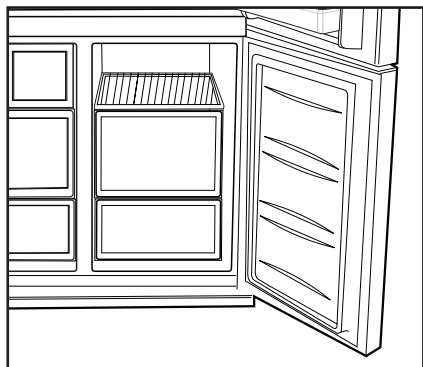


Rotating Middle Section

Rotating middle section is intended to prevent the cold air inside your refrigerator from escaping outside. Rotating middle section aids in sealing since the gaskets on the door presses on the surface of the Rotating middle section when the doors of the fridge compartment are closed. Another reason that your refrigerator is equipped with a rotating middle section is that it increases the net volume of the fridge compartment. Standard middle sections occupy some non-usable volume in the refrigerator.

Flexi Zone Storage Compartment

The Flexi Zone Storage Compartment of your refrigerator may be used in any desired mode by adjusting it to fridge (2/4/6/8 °C) or freezer (-18/-20/-22/-24) temperatures. You can keep the compartment in the desired temperature with the Flexi Zone

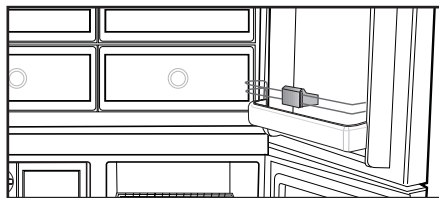


Storage Compartment Temperature Setting Button. The temperature of the Flexi Zone Storage Compartment may be set to 0 and 10 degrees in addition to the fridge compartment temperatures and to -6 degrees in addition to the freezer compartment temperatures. 0 degree is used to store the deli products longer, and -6 degrees is used to keep the meats up to 2 weeks in an easily cuttable condition.

i The feature of switching to a Fridge or Freezer compartment is provided by a cooling element located in the closed section (Compressor Compartment) behind the refrigerator. During operation of this element, sounds similar to the sound of seconds heard from an analog clock may be heard. This is normal and is not fault cause.

Blue light

Foodstuff stored in the crispers that are enlightened with a blue light continue their photosynthesis by means of the wavelength effect of blue light and thus, preserve their freshness and increase their vitamin content.



6 Maintenance and cleaning

- ⚠ Never use gasoline, benzene or similar substances for cleaning purposes.
- ⚠ We recommend that you unplug the appliance before cleaning.
- ⚠ Never use any sharp abrasive instrument, soap, household cleaner, detergent and wax polish for cleaning.
- ℹ Use lukewarm water to clean the cabinet of your refrigerator and wipe it dry.
- ℹ Use a damp cloth wrung out in a solution of one teaspoon of bicarbonate of soda to one pint of water to clean the interior and wipe it dry.
- ⚠ Make sure that no water enters the lamp housing and other electrical items.
- ⚠ If your refrigerator is not going to be used for a long period of time, unplug the power cable, remove all food, clean it and leave the door ajar.
- ℹ Check door seals regularly to ensure they are clean and free from food particles.
- ⚠ To remove door racks, remove all the contents and then simply push the door rack upwards from the base.
- ⚠ Never use cleaning agents or water that contain chlorine to clean the outer surfaces and chromium coated parts of the product. Chlorine causes corrosion on such metal surfaces.

Protection of plastic surfaces

- ℹ Do not put the liquid oils or oil-cooked meals in your refrigerator in unsealed containers as they damage the plastic surfaces of your refrigerator. In case of spilling or smearing oil on the plastic surfaces, clean and rinse the relevant part of the surface at once with warm water.

7 Troubleshooting

Please review this list before calling the service. It will save your time and money. This list includes frequent complaints that are not arising from defective workmanship or material usage. Some of the features described here may not exist in your product.

The refrigerator does not operate.

- The plug is not inserted into the socket correctly. >>>Insert the plug into the socket securely.
- The fuse of the socket which your refrigerator is connected to or the main fuse have blown out. >>>Check the fuse.

Condensation on the side wall of the fridge compartment (MULTIZONE, COOL CONTROL and FLEXI ZONE).

- Ambient is very cold. >>>Do not install the refrigerator in places where the temperature falls below 10 °C.
- Door has been opened frequently. >>>Do not open and close the door of refrigerator frequently.
- Ambient is very humid. >>>Do not install your refrigerator into highly humid places.
- Food containing liquid is stored in open containers. >>>Do not store food with liquid content in open containers.
- Door of the refrigerator is left ajar. >>>Close the door of the refrigerator.
- Thermostat is set to a very cold level. >>>Set the thermostat to a suitable level.

• Compressor is not running

- Protective thermic of the compressor will blow out during sudden power failures or plug-out plug-ins as the refrigerant pressure in the cooling system of the refrigerator has not been balanced yet. The refrigerator will start running approximately after 6 minutes. Please call the service if the refrigerator does not startup at the end of this period.
- The fridge is in defrost cycle. >>>This is normal for a full-automatically defrosting refrigerator. Defrosting cycle occurs periodically.
- The refrigerator is not plugged into the socket. >>>Make sure that the plug is fit into the socket.
- Temperature settings are not made correctly. >>>Select the suitable temperature value.
- There is a power outage. >>>Refrigerator returns to normal operation when the power restores.

The operation noise increases when the refrigerator is running.

- The operating performance of the refrigerator may change due to the changes in the ambient temperature. It is normal and not a fault.

The refrigerator is running frequently or for a long time.

- New product may be wider than the previous one. Larger refrigerators operate for a longer period of time.
- The room temperature may be high. >>>It is normal that the product operates for longer periods in hot ambient.
- The refrigerator might be plugged in recently or might be loaded with food. >>>When the refrigerator is plugged in or loaded with food recently, it will take longer for it to attain the set temperature. This is normal.
- Large amounts of hot food might be put in the refrigerator recently. >>>Do not put hot food into the refrigerator.
- Doors might be opened frequently or left ajar for a long time. >>>The warm air that has entered into the refrigerator causes the refrigerator to run for longer periods. Do not open the doors frequently.
- Freezer or fridge compartment door might be left ajar. >>>Check if the doors are closed completely.
- The refrigerator is adjusted to a very low temperature. >>>Adjust the refrigerator temperature to a warmer degree and wait until the temperature is achieved.
- Door seal of the fridge or freezer may be soiled, worn out, broken or not properly seated. >>>Clean or replace the seal. Damaged/broken seal causes the refrigerator to run for a longer period of time in order to maintain the current temperature.

Freezer temperature is very low while the fridge temperature is sufficient.

- The freezer temperature is adjusted to a very low value. >>>Adjust the freezer temperature to a warmer degree and check.

Fridge temperature is very low while the freezer temperature is sufficient.

- The fridge temperature is adjusted to a very low value. >>>Adjust the fridge temperature to a warmer degree and check.

Food kept in the fridge compartment drawers is frozen.

- The fridge temperature is adjusted to a very high value. >>>Adjust the fridge temperature to a lower value and check.

Temperature in the fridge or freezer is very high.

- The fridge temperature is adjusted to a very high value. >>>Fridge compartment temperature setting has an effect on the temperature of the freezer. Change the temperatures of the fridge or freezer and wait until the relevant compartments attain a sufficient temperature.
- Doors are opened frequently or left ajar for a long time. >>>Do not open the doors frequently.
- Door is ajar. >>>Close the door completely.
- The refrigerator is plugged in or loaded with food recently. >>>This is normal. When the refrigerator is plugged in or loaded with food recently, it will take longer for it to attain the set temperature.
- Large amounts of hot food might be put in the refrigerator recently. >>>Do not put hot food into the refrigerator.

<ul style="list-style-type: none"> • Vibrations or noise.
<ul style="list-style-type: none"> • The floor is not level or stable. >>> If the refrigerator rocks when moved slowly, balance it by adjusting its feet. Also make sure that the floor is strong enough to carry the refrigerator, and level. • The items put onto the refrigerator may cause noise. >>>Remove the items on top of the refrigerator.
There are noises coming from the refrigerator like liquid flowing, spraying, etc.
<ul style="list-style-type: none"> • Liquid and gas flows occur in accordance with the operating principles of your refrigerator. It is normal and not a fault.
Whistle comes from the refrigerator.
<ul style="list-style-type: none"> • Fans are used in order to cool the refrigerator. It is normal and not a fault.
Condensation on the inner walls of refrigerator.
<ul style="list-style-type: none"> • Hot and humid weather increases icing and condensation. It is normal and not a fault. • Doors are opened frequently or left ajar for a long time. >>>Do not open the doors frequently. Close them if they are open. • Door is ajar. >>>Close the door completely.
Humidity occurs on the outside of the refrigerator or between the doors.
<ul style="list-style-type: none"> • There might be humidity in the air; this is quite normal in humid weather. When the humidity is less, condensation will disappear.
Bad odour inside the refrigerator.
<ul style="list-style-type: none"> • No regular cleaning is performed. >>>Clean the inside of the refrigerator regularly with a sponge, lukewarm water or carbonate dissolved in water. • Some containers or package materials may cause the smell. >>>Use a different container or different brand packaging material. • Food is put into the refrigerator in uncovered containers. >>>Keep the food in closed containers. Microorganisms spreading out from uncovered containers can cause unpleasant odours. • Remove the foods that have expired best before dates and spoiled from the refrigerator.
The door is not closing.
<ul style="list-style-type: none"> • Food packages are preventing the door from closing. >>>Replace the packages that are obstructing the door. • The refrigerator is not completely even on the floor. >>>Adjust the feet to balance the refrigerator. • The floor is not level or strong. >>>Make sure that the floor is level and capable to carry the refrigerator.
Crispers are stuck.
<ul style="list-style-type: none"> • The food is touching the ceiling of the drawer. >>>Rearrange food in the drawer.

Bitte lesen Sie zuerst diese Anleitung!

Lieber Kunde,

Wir sind sicher, dass Ihnen dieses Produkt, das in modernsten Fertigungsstätten hergestellt und den strengsten Qualitätsprüfungen unterzogen wurde, lange Zeit gute Dienste leisten wird.




Wir empfehlen Ihnen, vor Inbetriebnahme des Gerätes das gesamte Handbuch durchzulesen und es anschließend aufzubewahren.

Diese Anleitung...

- hilft Ihnen, Ihr Gerät schnell und sicher zu bedienen.
- Lesen Sie die Anleitung, bevor Sie Ihr Gerät aufstellen und bedienen.
- Halten Sie sich an die Anweisungen, beachten Sie insbesondere die Sicherheitshinweise.
- Bewahren Sie die Anleitung an einem leicht zugänglichen Ort auf, damit Sie jederzeit darin nachschlagen können.
- Lesen Sie auch die weiteren Dokumente, die mit Ihrem Produkt geliefert wurden.
- Bitte beachten Sie, dass diese Anleitung eventuell auch für andere Geräte eingesetzt werden kann.

Symbole und ihre Bedeutung

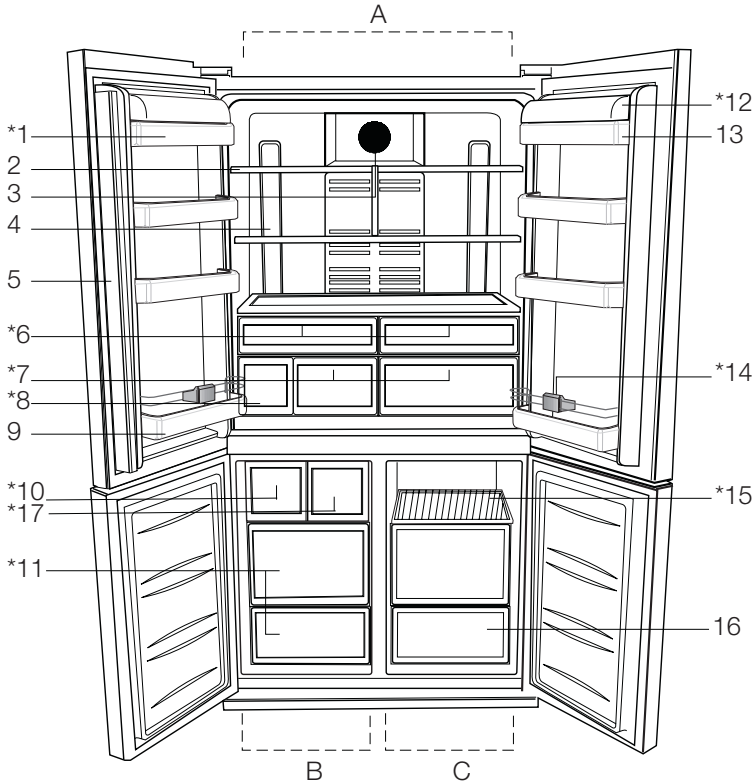
In dieser Anleitung finden Sie die folgenden Symbole:

-  Wichtige Informationen oder nützliche Tipps.
-  Warnung vor Verletzungen oder Sachschäden.
-  Warnung vor elektrischem Strom.

INHALT

1 Ihr Kühlschrank	3	4 Vorbereitung	16
2 Wichtige Sicherheitshinweise	4	5 So bedienen Sie Ihren Kühlschrank	17
Bestimmungsgemäßer Einsatz.....	4	Anzeigefeld.....	17
Allgemeine Hinweise zu Ihrer Sicherheit	4	Auto-Eisbereiter	21
Bei Geräten mit Wasserspender:	9	Butter- & Käsefach	21
Kinder – Sicherheit	9	Verschiebbare Ablagen	22
Erfüllung von WEEE-Vorgaben zur Entsorgung von Altgeräten:	9	Eierbehälter	22
Hinweise zur Verpackung	9	Gemüsefach	22
HC-Warnung	10	Kühlfach	22
Tipps zum Energiesparen	10	Drehbarer Mittelbereich	23
Empfehlungen zum Kühlbereich.....	11	FlexiZone-Bereich	23
		Blaues Licht.....	23
3 Installation	12	6 Wartung und Reinigung	24
Was Sie bei einem weiteren Transport Ihres Kühlschranks beachten müssen	12	Schutz der Kunststoffflächen	24
Bevor Sie Ihren Kühlschrank einschalten	12		
Elektrischer Anschluss	13	7 Empfehlungen zur Problemlösung	25
Entsorgung der Verpackungsmaterialien	13		
Entsorgung von Altgeräten	13		
Aufstellung und Installation	14		
Gerade, ausbalancierte Aufstellung..	14		
Spalt zwischen den Türen anpassen	15		

1 Ihr Kühlschrank



- | | | | |
|----|-------------------------------------|-----|-----------------------------|
| A: | Kühlbereich | 9- | Flaschenablage |
| B: | Tiefkühlbereich | 10- | Eiswürfelmaschine |
| C: | FlexiZone | 11- | Tiefkühlfächer |
| 1- | Kühlbereich-Türablagen | 12- | Butter- & Käsefachabdeckung |
| 2- | Verstellbare Ablagen im Kühlbereich | 13- | Butter- & Käsefach |
| 3- | Leuchtenabdeckung | 14- | Flaschenhalter |
| 4- | Beleuchtung | 15- | Ablagefächer |
| 5- | Drehbarer Mittelbereich | 16- | Flexi Zone Fach |
| 6- | Kühlfach | 17- | Fresh Gefrierschublade |
| 7- | Gemüsefach | | |
| 8- | Wassertank | | |

*** FAKULTATIV**

i Abbildungen und Angaben in dieser Anleitung sind schematisch und können etwas von Ihrem Produkt abweichen. Wenn die Teile nicht im gekauften Produkt enthalten sind, gelten sie für andere Modelle.

2 Wichtige Sicherheitshinweise

Bitte lesen Sie die folgenden Hinweise aufmerksam durch. Bei Nichtbeachtung dieser Angaben kann es zu Verletzungen und Sachschäden kommen. In diesem Fall erlöschen auch sämtliche Garantie- und sonstigen Ansprüche.

Die reguläre Einsatzzeit Ihres Gerätes liegt bei 10 Jahren. In diesem Zeitraum halten wir Originalersatzteile bereit, damit Ihr Gerät stets einwandfrei funktioniert.

Bestimmungsgemäßer Einsatz

Dieses Produkt dient dem Einsatz in

- Innenräumen und geschlossenen Bereichen, wie z. B. Haushalten;
- geschlossenen Arbeitsbereichen, wie Läden und Büros;
- geschlossenen Unterkunftsbereichen, wie Bauernhöfen, Hotels und Pensionen.

- Das Gerät sollte nicht im Freien benutzt werden.

Allgemeine Hinweise zu Ihrer Sicherheit

- Wenn Sie das Gerät entsorgen möchten, wenden Sie sich am besten an den autorisierten Kundendienst. Hier erhalten Sie notwendige Informationen und erfahren, welche Stellen für die Entsorgung zuständig sind.
- Bei Problemen und Fragen zum Gerät wenden Sie sich grundsätzlich an den autorisierten Kundendienst. Ziehen Sie keine Dritten zu Rate, versuchen Sie nichts in Eigenregie, ohne den autorisierten Kundendienst davon in Kenntnis zu setzen.
- Bei Geräten mit Tiefkühlbereich: Der Verzehr von Speiseeis und Eiswürfeln unmittelbar nach der Entnahme aus dem Tiefkühlbereich ist nicht

ratsam. (Dies kann zu Erfrierungen führen.)

- Bei Geräten mit Tiefkühlbereich: Bewahren Sie Getränke in Flaschen sowie Dosen niemals im Tiefkühlbereich auf. Diese platzen.
- Berühren Sie gefrorene Lebensmittel nicht mit der Hand; sie können festfrieren.
- Trennen Sie Ihren Kühlschrank vor dem Reinigen oder Abtauen vom Stromnetz.
- Verwenden Sie niemals Dampf- oder Sprühreiniger zum Reinigen und Abtauen Ihres Kühlschranks. Die Dämpfe oder Nebel können in Kontakt mit stromführenden Teilen geraten und Kurzschlüsse oder Stromschläge auslösen.
- Missbrauchen Sie niemals Teile Ihres Kühlschranks (z. B. Tür) als Befestigungen oder Kletterhilfen.
- Nutzen Sie keine elektrischen Geräte

innerhalb des Kühlschranks.

- Achten Sie darauf, den Kühlkreislauf keinesfalls mit Bohr- oder Schneidwerkzeugen zu beschädigen. Das Kühlmittel kann herausspritzen, wenn die Gaskanäle des Verdunsters, Rohr- und Schlauchleitungen oder Oberflächenversiegelungen beschädigt werden. Dies kann zu Hautreizungen und Augenverletzungen führen.
- Decken Sie keinerlei Belüftungsöffnungen des Kühlschranks ab.
- Elektrische Geräte dürfen nur von autorisierten Fachkräften repariert werden. Reparaturen durch weniger kompetente Personen können erhebliche Gefährdungen des Anwenders verursachen.
- Sollten Fehler oder Probleme während der Wartung oder Reparaturarbeiten auftreten, so trennen Sie den Kühlschrank von der Stromversorgung, indem Sie die entsprechende Sicherung abschalten oder den Netzstecker ziehen.

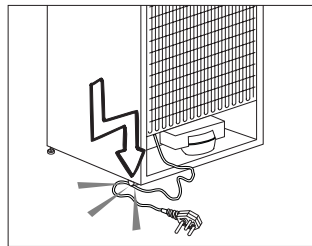
- Ziehen Sie niemals am Netzkabel – ziehen Sie direkt am Stecker.
- Lagern Sie hochprozentige alkoholische Getränke gut verschlossen und aufrecht.
- Bewahren Sie niemals Sprühdosen mit brennbaren und explosiven Substanzen im Kühlschrank auf.
- Nutzen Sie keine mechanischen oder anderen Hilfsmittel, um das Gerät abzutauen – es sei denn, solche Hilfsmittel werden ausdrücklich vom Hersteller empfohlen.
- Dieses Produkt darf nicht von Personen (einschließlich Kindern) mit eingeschränkten physischen, sensorischen oder geistigen Fähigkeiten bedient werden, sofern sie nicht durch eine Person, die für ihre Sicherheit verantwortlich ist, in der Bedienung des Produktes angeleitet werden.
- Nehmen Sie einen beschädigten Kühlschrank nicht in Betrieb. Wenden Sie sich bei jeglichen Zweifeln an einen Kundendienstmitarbeiter.
- Die elektrische Sicherheit des Gerätes ist nur dann gewährleistet, wenn das hausinterne Erdungssystem den zutreffenden Normen entspricht.
- Setzen Sie das Gerät keinem Regen, Schnee, direktem Sonnenlicht oder Wind aus; dies kann die elektrische Sicherheit gefährden.
- Wenden Sie sich zur Vermeidung von Gefahren an den autorisierten Kundendienst, falls das Netzkabel beschädigt ist.
- Stecken Sie während der Installation niemals den Netzstecker ein. Andernfalls kann es zu schweren bis tödlichen Verletzungen kommen.
- Dieser Kühlschrank dient nur der Aufbewahrung

von Lebensmitteln. Für andere Zwecke sollte er nicht verwendet werden.

- Das Etikett mit den technischen Daten befindet sich an der linken Innenwand des Kühlschranks.
- Schließen Sie Ihren Kühlschrank niemals an energiesparende Systeme an; dies kann den Kühlschrank beschädigen.
- Falls sich ein blaues Licht am Kühlschrank befindet, blicken Sie nicht längere Zeit mit bloßem Augen oder optischen Werkzeugen hinein.
- Bei manuell gesteuerten Kühlschränken warten Sie mindestens 5 Minuten, bevor Sie den Kühlschrank nach einem Stromausfall wieder einschalten.
- Falls Sie das Gerät an einen anderen Besitzer weitergeben, vergessen Sie nicht, die Bedienungsanleitung ebenfalls auszuhändigen.
- Achten Sie darauf,

dass das Netzkabel beim Transport des Kühlschranks nicht beschädigt wird. Übermäßiges Biegen des Kabels birgt Brandgefahr. Platzieren Sie keine schweren Gegenstände auf dem Netzkabel.

- Berühren Sie den Netzstecker niemals mit feuchten oder gar nassen Händen.



- Schließen Sie den Kühlschrank nicht an lose Steckdosen an.
- Sprühen Sie aus Sicherheitsgründen niemals Wasser auf die Innen- und Außenflächen des Gerätes.
- Sprühen Sie keine Substanzen mit brennbaren Gasen, wie z. B. Propangas, in die Nähe des Kühlschranks;

andernfalls bestehen Brand- und Explosionsgefahr.

- Stellen Sie keine mit Wasser gefüllten Gegenstände auf den Kühlschrank; dies birgt Brand- und Stromschlaggefahr.
- Überladen Sie das Gerät nicht mit Lebensmitteln. Wenn das Gerät überladen ist, können beim Öffnen der Kühlschranktür Lebensmittel herausfallen und Verletzungen verursachen.
- Stellen Sie keinesfalls Gegenstände auf den Kühlschrank; sie könnten beim Öffnen oder Schließen der Kühlschranktür herunterfallen.
- Materialien wie beispielsweise Impfstoffe, wärmeempfindliche Arznei, wissenschaftliche Proben usw. sollten nicht im Kühlschrank aufbewahrt werden, da sie bei exakt festgelegten Temperaturen gelagert werden müssen.
- Trennen Sie den Kühlschrank vom Stromnetz, wenn er längere Zeit nicht benutzt wird. Ein mögliches Problem im Netzkabel kann einen Brand auslösen.
- Die Steckerkontakte sollten regelmäßig mit einem trockenen Tuch gereinigt werden; andernfalls besteht Brandgefahr.
- Wenn die höhenverstellbaren Füße nicht sicher auf dem Boden stehen, kann sich der Kühlschrank bewegen. Die angemessene Sicherung der höhenverstellbaren Füße am Boden kann eine Bewegung des Kühlschranks verhindern.
- Halten Sie den Kühlschrank beim Tragen nicht am Türgriff. Andernfalls könnte er abbrechen.
- Wenn Sie Ihr Produkt neben einem

anderen Kühl- oder Gefrierschrank aufstellen möchten, sollte der Abstand zwischen beiden Geräten mindestens 8 cm betragen. Andernfalls können die benachbarten Seitenwände feucht werden.

Bei Geräten mit Wasserspender:

- Damit der Wasserkreislauf des Kühlschranks reibungslos arbeitet, muss der Druck des Versorgungswassers 1 bis 8 bar betragen. Wenn der Druck des Versorgungswassers 5 bar übersteigt, sollte ein Druckregler verwendet werden. Falls der Druck der Wasserversorgung 8 bar übersteigt, sollte der Wasserkreislauf des Kühlschranks nicht an die Wasserversorgung angeschlossen werden. Falls Sie nicht wissen, wie Sie den Druck des Versorgungswassers messen, wenden Sie

sich bitte an einen Experten.

- Nur Trinkwasser verwenden.

Kinder – Sicherheit

- Bei abschließbaren Türen bewahren Sie den Schlüssel außerhalb der Reichweite von Kindern auf.
- Achten Sie darauf, dass Kinder nicht mit dem Produkt spielen.

Erfüllung von WEEE-Vorgaben zur Entsorgung von Altgeräten:



Dieses Produkt erfüllt die Vorgaben der EU-WEEE-Direktive (2012/19/EU).

Das Produkt wurde mit einem Klassifizierungssymbol für elektrische und

elektronische Altgeräte (WEEE) gekennzeichnet.

Dieses Gerät wurde aus hochwertigen Materialien hergestellt, die wiederverwendet und recycelt werden können. Entsorgen Sie das Gerät am Ende seiner Einsatzzeit nicht mit dem regulären Hausmüll; geben Sie es stattdessen bei einer Sammelstelle zur Wiederverwertung von elektrischen und elektronischen Altgeräten ab. Ihre Stadtverwaltung informiert Sie gerne über geeignete Sammelstellen in Ihrer Nähe.

Hinweise zur Verpackung

Die Verpackungsmaterialien des Gerätes wurden gemäß nationalen Umweltschutzbestimmungen aus recyclingfähigen Materialien hergestellt. Entsorgen Sie Verpackungsmaterialien nicht mit dem regulären Hausmüll oder anderen Abfällen. Bringen Sie

Verpackungsmaterialien zu geeigneten Sammelstellen; Ihre Stadtverwaltung berät Sie gern.

Nicht vergessen!

Recycelte Materialien leisten einen wichtigen Beitrag zu einer schönen und gesunden Umwelt.

Wenn Sie zur Wiederverwertung von Verpackungsmaterialien beitragen möchten, informieren Sie sich bei Ihren Umweltschutzbehörden oder der Stadtverwaltung, wo entsprechende Sammelstellen zu finden sind.

HC-Warnung

Falls das Kühlsystem Ihres Produktes R600a enthält:

Dieses Gas ist leicht entflammbar. Achten Sie also darauf, Kühlkreislauf und Leitungen während Betrieb und Transport nicht zu beschädigen. Bei Beschädigungen halten Sie das Produkt von potenziellen Zündquellen (z. B. offenen Flammen) fern und sorgen für eine gute Belüftung des Raumes, in dem das Gerät aufgestellt wurde.

Ignorieren Sie diese Warnung, falls das Kühlsystem Ihres Produktes R134a enthält.

Die Art des im Gerät eingesetzten Gases wird auf dem Typenschild an der linken Innenwand des Kühlschranks angegeben. Entsorgen Sie das Produkt keinesfalls durch Verbrennen.

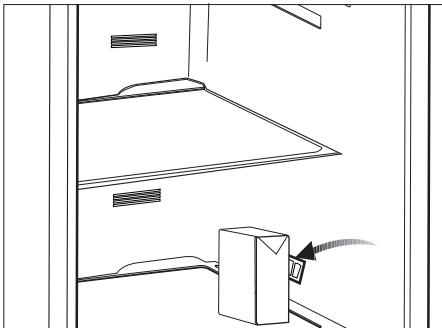
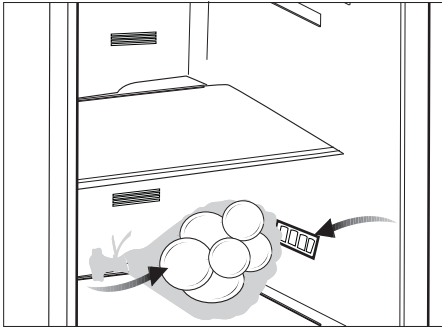
Tipps zum Energiesparen

- Halten Sie die Kühlschranksüren nur möglichst kurz geöffnet.
- Geben Sie keine warmen Speisen oder Getränke in den Kühlschrank.
- Überladen Sie den Kühlschrank nicht; die Luft muss frei zirkulieren können.
- Stellen Sie den Kühlschrank nicht im direkten Sonnenlicht oder in der Nähe von Wärmequellen wie Öfen, Spülmaschinen oder Heizkörpern auf. Halten Sie den Kühlschrank mindestens 30 cm von Wärmequellen und mindestens 5 cm von elektrischen Öfen entfernt.
- Achten Sie darauf, Ihre Lebensmittel in verschlossenen Behältern aufzubewahren.
- Bei Geräten mit Tiefkühlbereich: Sie können noch mehr Lebensmittel einlagern, wenn Sie die Ablage oder Schublade aus dem Tiefkühlbereich herausnehmen. Der für Ihren Kühlschrank angegebene Energieverbrauch wurde nach dem Entfernen der Ablage oder Schublade und bei maximaler Beladung bestimmt. Ansonsten ist es Ihnen freigestellt, die Ablage oder Schublade zu verwenden.
- Das Auftauen von gefrorenen Lebensmitteln im Kühlbereich ist energiesparend und bewahrt die Qualität der Lebensmittel.

Empfehlungen zum Kühlbereich

* FAKULTATIV

- Achten Sie darauf, dass der Temperatursensor im Kühlbereich nicht mit Lebensmitteln in Berührung kommt. Damit die optimale Lagerungstemperatur im variablen Fach beibehalten werden kann, darf der Sensor nicht von Lebensmitteln blockiert werden.
- Geben Sie keine heißen Speisen in das Gerät.



3 Installation

- ⚠ Bitte beachten Sie, dass der Hersteller nicht haftet, wenn Sie sich nicht an die Informationen und Anweisungen der Bedienungsanleitung halten.

Was Sie bei einem weiteren Transport Ihres Kühlschranks beachten müssen

1. Der Kühlschrank muss vor dem Transport geleert und gesäubert werden.
2. Befestigen und sichern Sie Ablagen, Zubehör, Gemüsefach, etc. mit Klebeband, bevor Sie das Gerät neu verpacken.
3. Die Verpackung muss mit kräftigem Klebeband und stabilen Seilen gesichert, die auf der Verpackung aufgedruckten Transporthinweise müssen beachtet werden.

Vergessen Sie nicht...

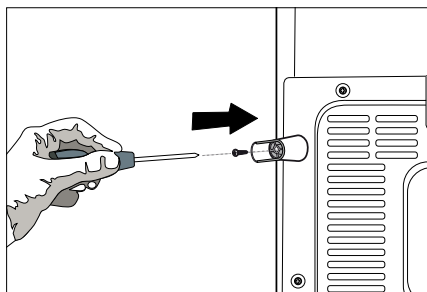
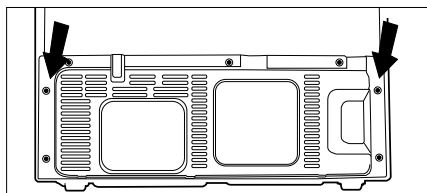
Jeder wiederverwendete Artikel stellt eine unverzichtbare Hilfe für unsere Natur und unsere Ressourcen dar. Wenn Sie zur Wiederverwertung von Verpackungsmaterialien beitragen möchten, können Sie sich bei Umweltschutzvereinigungen und Ihren Behörden vor Ort informieren.

Bevor Sie Ihren Kühlschrank einschalten

Bevor Sie Ihren Kühlschrank in Betrieb nehmen, beachten Sie bitte Folgendes:

1. Ist der Innenraum des Kühlschranks trocken, kann die Luft frei an der Rückseite zirkulieren?

2. Setzen Sie die beiden Kunststoffkeile wie in der folgenden Abbildung gezeigt an den hinteren Belüftungsöffnungen ein. Drehen Sie die vorhandenen Schrauben heraus, verwenden Sie die mit den Keilen abgepackten Schrauben. Die Kunststoffkeile sorgen für den richtigen Abstand zwischen Kühlschrank und Wand - und damit für die richtige Luftzirkulation.



3. Reinigen Sie das Innere des Kühlschranks wie im Abschnitt „Wartung und Reinigung“ beschrieben.
4. Stecken Sie den Netzstecker des Kühlschranks in eine Steckdose. Bei geöffneter Tür schaltet sich das Licht im Innenraum ein.
5. Sie hören ein Geräusch, wenn sich der Kompressor einschaltet. Die Flüssigkeiten und Gase im Kühlsystem können auch leichte Geräusche erzeugen, wenn der Kompressor nicht läuft. Dies ist völlig normal.

6. Die Vorderkanten des Kühlgerätes können sich warm anfühlen. Dies ist normal. Diese Bereiche wärmen sich etwas auf, damit sich kein Kondenswasser bildet.

Elektrischer Anschluss

Schließen Sie Ihren Kühlschrank an eine geerdete (Schuko-) Steckdose an. Diese Steckdose muss mit einer passenden Sicherung abgesichert werden.

Wichtig:

- Der Anschluss muss gemäß lokaler Vorschriften erfolgen.
- Der Netzkabelstecker muss nach der Installation frei zugänglich bleiben.
- Informationen zur richtigen Spannung und Sicherungsdimensionierung finden Sie im Abschnitt „Technische Daten“.
- Die angegebene Spannung muss mit Ihrer Netzspannung übereinstimmen.
- Zum Anschluss dürfen keine Verlängerungskabel oder Mehrfachsteckdosen verwendet werden.

⚠ Ein beschädigtes Netzkabel muss unverzüglich durch einen qualifizierten Elektriker ausgetauscht werden.

⚠ Das Gerät darf vor Abschluss der Reparaturen nicht mehr betrieben werden! Es besteht Stromschlaggefahr!

Entsorgung der Verpackungsmaterialien

Das Verpackungsmaterial kann eine Gefahr für Kinder darstellen. Halten Sie Verpackungsmaterialien von Kindern fern oder entsorgen Sie das Verpackungsmaterial gemäß den gültigen Entsorgungsbestimmungen. Entsorgen Sie Verpackungsmaterialien nicht mit dem regulären Hausmüll.

Die Verpackung Ihres Gerätes wurde aus recyclingfähigen Materialien hergestellt.

Entsorgung von Altgeräten

Entsorgen Sie Altgeräte auf umweltfreundliche Weise.

- Bei Fragen zur richtigen Entsorgung wenden Sie sich bitte an Ihren Händler, an eine Sammelstelle oder Ihre Stadtverwaltung.

Bevor Sie das Gerät entsorgen, schneiden Sie den Netzstecker ab und machen die Türverschlüsse (sofern vorhanden) unbrauchbar, damit Kinder nicht in Gefahr gebracht werden.

Aufstellung und Installation

Achtung: Stecken Sie während der Installation niemals den Netzstecker ein. Andernfalls kann es zu schweren bis tödlichen Verletzungen kommen.

Falls die Tür des Raumes, in dem der Kühlschrank aufgestellt werden soll, nicht breit genug ist, wenden Sie sich an den autorisierten Kundendienst, lassen die Kühlschranktüren demontieren und befördern das Gerät seitlich durch die Tür.

1. Stellen Sie Ihren Kühlschrank an einer gut erreichbaren Stelle auf.
2. Platzieren Sie den Kühlschrank nicht in der Nähe von Wärmequellen oder dort, wo er Feuchtigkeit oder direktem Sonnenlicht ausgesetzt ist.
3. Damit das Gerät richtig arbeiten kann, müssen Sie ausreichend Platz um das Gerät herum freilassen, damit eine ordentliche Belüftung gewährleistet ist.

Wenn Sie den Kühlschrank in einer Nische aufstellen, müssen Sie einen Abstand von mindestens 5 cm zur Decke und 5 cm zu den Wänden einhalten.

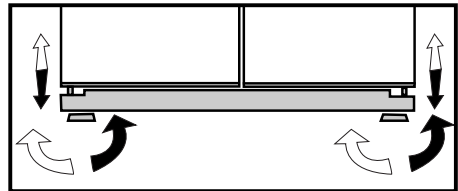
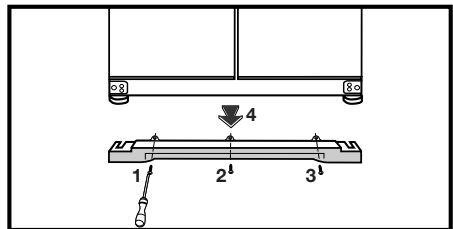
Wenn Sie das Gerät auf einem Teppich oder Teppichboden aufstellen, müssen Sie einen Abstand von mindestens 2,5 cm zum Boden einhalten.

4. Stellen Sie Ihren Kühlschrank auf einem ebenen Untergrund auf, damit er nicht wackelt.
5. Stellen Sie den Kühlschrank nicht an Stellen auf, an denen Temperaturen von weniger als 10 °C herrschen.

Gerade, ausbalancierte Aufstellung

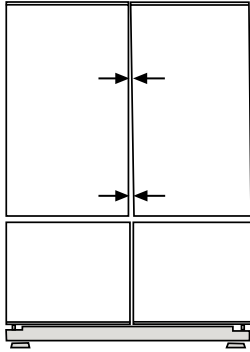
Wenn Ihr Kühlschrank nicht absolut gerade steht:

- 1: Drehen Sie zunächst die Schrauben an der Belüftungsöffnungabdeckung wie in der Abbildung gezeigt heraus. Sie können den Kühlschrank – wie in der Abbildung gezeigt – durch Drehen der Frontfüße ausbalancieren. Wenn Sie in Richtung des schwarzen Pfeils drehen, senkt sich die Ecke, an der sich der Fuß befindet. Beim Drehen in Gegenrichtung wird die Ecke angehoben. Diese Arbeit fällt erheblich leichter, wenn ein Helfer das Gerät etwas anhebt.

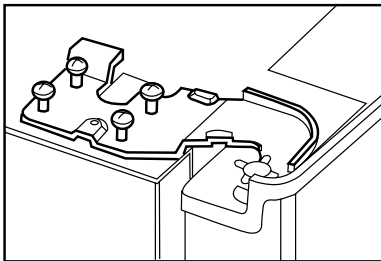
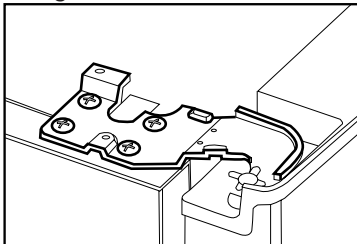


2. Wenn das Gerät absolut gerade steht, bringen Sie die Belüftungsöffnungabdeckung wieder an und fixieren sie mit Schrauben.
3. Drehen Sie die Schrauben an der unteren Belüftungsöffnungabdeckung mit einem Kreuzkopfschraubendreher heraus.

Spalt zwischen den Türen anpassen

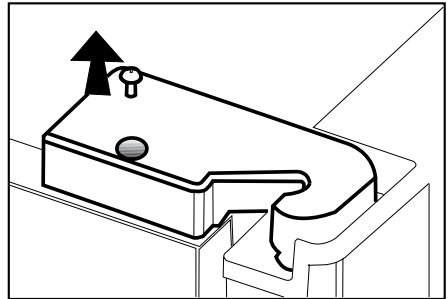


- Sie können den Spalt zwischen den Kühlbereichtüren wie in den Abbildungen gezeigt anpassen. Beim Einstellen der Türhöhe sollten die Türablagen leer sein.

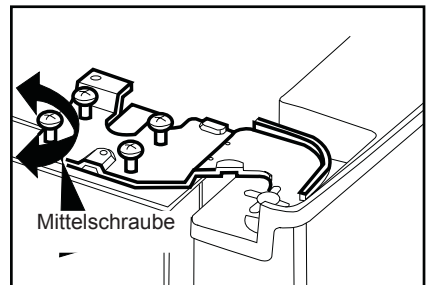


- Drehen Sie mit einem Schraubendreher die Schraube am oberen Türscharnier der einzustellenden Tür heraus.

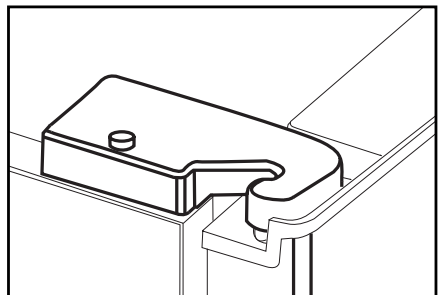
- Stellen Sie die Tür nach Lösen der Schrauben nach Wunsch ein.



- Fixieren Sie die eingestellte Tür durch Anziehen der Schrauben; ändern Sie die Türposition dabei nicht.



- Setzen Sie die Scharnierabdeckung wieder auf, ziehen Sie die Schraube an.



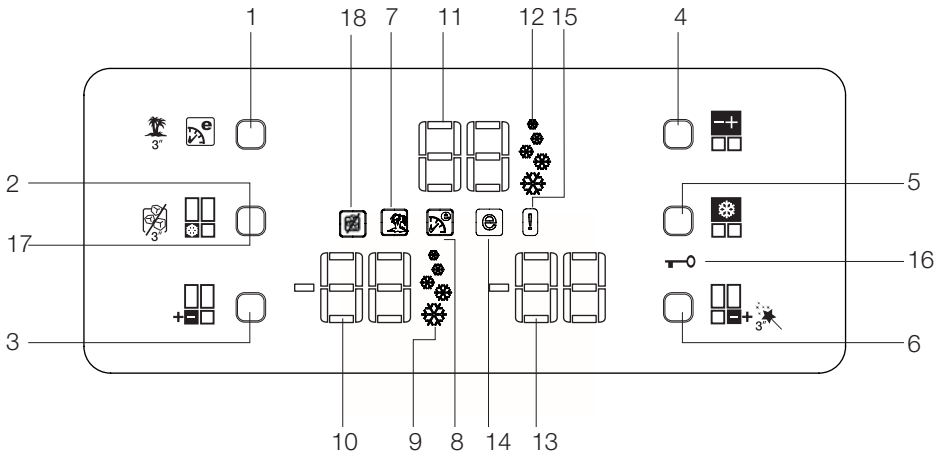
4 Vorbereitung

- Ihr Kühlschrank / Gefrierschrank sollte mindestens 30 cm von Hitzequellen wie Kochstellen, Öfen, Heizungen, Herden und ähnlichen Einrichtungen aufgestellt werden. Halten Sie mindestens 5 cm Abstand zu Elektroöfen ein, vermeiden Sie die Aufstellung im direkten Sonnenlicht.
- Die Zimmertemperatur des Raumes, in dem der Kühlschrank / Gefrierschrank aufgestellt wird, sollte mindestens 10 °C betragen. Im Hinblick auf den Wirkungsgrad ist der Betrieb des Kühlschrank / Gefrierschranks bei geringerer Umgebungstemperatur nicht ratsam.
- Sorgen Sie dafür, dass das Innere Ihres Kühlschrank / Gefrierschranks gründlich gereinigt wird.
- Falls zwei Kühlschränke nebeneinander platziert werden sollen, achten Sie darauf, dass sie mindestens 2 cm voneinander entfernt aufgestellt werden.
- Wenn Sie den Kühlschrank / Gefrierschrank zum ersten Mal in Betrieb nehmen, halten Sie sich bitte an die folgenden Anweisungen für die ersten sechs Betriebsstunden.
- Die Kühlschrank / Gefrierschranktür sollte nicht zu häufig geöffnet werden.
- Der Kühlschrank / Gefrierschrank muss zunächst vollständig leer arbeiten.
- Ziehen Sie nicht den Netzstecker. Falls der Strom ausfallen sollte, beachten Sie die Warnhinweise im Abschnitt „Empfehlungen zur Problemlösung“.
- Originalverpackung und Schaumstoffmaterialien sollten zum zukünftigen Transport des Gerätes aufbewahrt werden.
- Bei einigen Modellen schaltet sich das Armaturenbrett 5 Minuten nach dem Schließen der Tür automatisch ab. Es schaltet sich wieder an, wenn die Tür geöffnet wurde oder indem man auf einen beliebigen Schalter drückt.

5 So bedienen Sie Ihren Kühlschrank

Anzeigefeld

Über das Sensor-Anzeigefeld können Sie die Temperatur einstellen, ohne die Tür Ihres Kühlgerätes öffnen zu müssen. Zur Temperatúrauswahl berühren Sie die passenden Tasten einfach mit dem Finger.



1. Öko-Extra-/Urlaubstaste
2. Schnellgefrierstaste
3. Tiefkühlbereichtemperatureinstellta ste
4. Kühlbereichtemperatureinstelltaste
5. Schnellkühltaste
6. FlexiZone-Temperaturereinstelltaste
7. Urlaubsfunktionanzeige
8. Öko-Fuzzy-Anzeige
9. Schnellgefrieranzeige
10. Tiefkühlbereichtemperaturanzeige
11. Kühlbereichtemperaturanzeige
12. Schnellkühlanzeige
13. FlexiZone-Temperaturanzeige
14. Ökomodus-Anzeige
15. Fehlerstatusanzeige
16. Tastensperre-Anzeige
17. Kein Eis-Anzeige
18. Kein Eis-Taste

i Abbildungen und Angaben in dieser Anleitung sind schematisch und können etwas von Ihrem Produkt abweichen. Wenn die Teile nicht im gekauften Produkt enthalten sind, gelten sie für andere Modelle.

1. Öko-Extra-/Urlaubstaste

Zum Einschalten der Öko Extra-Funktion berühren Sie diese Taste nur kurz. Durch Gedrückthalten dieser Taste (3 Sekunden lang) schalten Sie die Urlaubsfunktion ein. Zum Abschalten der ausgewählten Funktion berühren Sie die Taste noch einmal.

2. Schnellgefriertaste

Zum Einschalten der Schnellgefrierfunktion berühren Sie diese Taste nur kurz. Zum Abschalten der ausgewählten Funktion berühren Sie die Taste noch einmal.

3. Tiefkühlbereichtemperatureinstelltaste

Durch mehrmaliges Drücken dieser Taste stellen Sie die Tiefkühlbereichtemperatur auf -18 °, -20 °, -22 °, -24 °, -18 °C ... ein. Stellen Sie die Temperatur des Tiefkühlbereiches mit dieser Taste ein.

4. Kühlbereichtemperatureinstelltaste

Durch mehrmaliges Drücken dieser Taste stellen Sie die Kühlbereichtemperatur auf 8 °, 6 °, 4 °, 2 °, 8 °C ... ein. Stellen Sie die Temperatur des Kühlbereiches mit dieser Taste ein.

5. Schnellkühltaste

Zum Einschalten der Schnellkühlfunktion berühren Sie diese Taste nur kurz. Zum Abschalten der ausgewählten Funktion berühren Sie die Taste noch einmal.

6. FlexiZone-Temperatureinstelltaste

Den FlexiZone-Bereich können Sie entweder zum Kühlen oder zum Tiefkühlen verwenden. Durch Gedrückthalten dieser Taste (3 Sekunden lang) stellen Sie den FlexiZone-Bereich entweder auf Kühlen oder Tiefkühlen um. Per Vorgabe ist dieser Bereich auf Tiefkühlen eingestellt.

Wenn der FlexiZone-Bereich auf Tiefkühlen eingestellt ist, ändert sich die Temperaturvorgabe bei jedem Tastendruck wie folgt: -18, -20, -22, -24, -18, ... Wenn der FlexiZone-Bereich auf Kühlen eingestellt ist, ändert sich die Temperaturvorgabe bei jedem Tastendruck wie folgt: 10, 8, 6, 4, 2, 0, -6, ...

7. Urlaubsfunktionanzeige

Zeigt an, dass die Urlaubsfunktion aktiv ist. Wenn diese Funktion aktiv ist, erscheint „-“ in der Anzeige zum Kühlbereich – der Kühlbereich wird nicht mehr gekühlt. Die restlichen Bereiche werden weiterhin mit den vorgegebenen Temperaturen gekühlt.

Zum Abschalten dieser Funktion berühren Sie die Taste noch einmal.

8. Öko-Extra-Anzeige

Zeigt an, dass die Öko Extra-Funktion aktiv ist. Wenn diese Funktion aktiv ist, erkennt Ihr Kühlgerät die Zeiten, in denen Sie das Kühlgerät besonders selten nutzen und passt die Kühlungsleistung in diesen Zeiträumen

entsprechend an. In den Perioden besonders energiesparender Kühlung leuchtet die Ökomodus-Anzeige auf.

Zum Abschalten dieser Funktion berühren Sie die Taste noch einmal.

9. Schnellgefrieranzeige

Zeigt an, dass die Schnellgefrieren-Funktion aktiv ist. Diese Funktion nutzen Sie, wenn Sie frische Lebensmittel in das Tiefkühlfach geben oder Eis benötigen. Wenn diese Funktion aktiv ist, arbeitet Ihr Kühlgerät 6 Stunden lang ununterbrochen.

Zum Abschalten dieser Funktion berühren Sie die Taste noch einmal.

10. Tiefkühlbereichstemperaturanzeige

Zeigt die für den Tiefkühlbereich eingestellte Temperatur an.

11. Kühlbereichstemperaturanzeige

Zeigt die für den Kühlbereich eingestellte Temperatur an.

12. Schnellkühlanzeige

Zeigt an, dass die Schnellkühlfunktion aktiv ist. Diese Funktion nutzen Sie, wenn Sie frische Lebensmittel in das Kühlfach geben oder Ihre Lebensmittel besonders schnell kühlen möchten. Wenn diese Funktion aktiv ist, arbeitet Ihr Kühlgerät 2 Stunden lang ununterbrochen.

Zum Abschalten dieser Funktion berühren Sie die Taste noch einmal.

13. FlexiZone-Temperaturanzeige

Zeigt die für den FlexiZone-Bereich voreingestellte Temperatur an.

14. Ökomodus-Anzeige

Zeigt an, dass das Kühlgerät besonders energiesparend arbeitet. Kühlbereichstemperatur

Diese Anzeige leuchtet auf, wenn die Temperatur auf -18 °C eingestellt ist oder das Gerät im Zuge der Öko Extra-Funktion besonders ökonomisch arbeitet.

15. Fehlerstatusanzeige

Diese Anzeige wird aktiv, wenn Ihr Kühlgerät nicht effektiv funktioniert oder ein Sensor ausgefallen sein sollte. Wenn diese Anzeige aktiv ist, zeigt die Tiefkühlbereichstemperaturanzeige „E“, die Kühlbereichstemperaturanzeige Zahlen an; z. B. „1, 2, 3, ...“. Anhand dieser Zahlen kann der Kundendienst wertvolle Informationen über den jeweiligen Fehler gewinnen.

16. Tastensperre-Anzeige

Diese Funktion nutzen Sie, wenn die Temperatureinstellungen Ihres Kühlgerätes unverändert bleiben sollen. Zum Einschalten dieser Funktion halten Sie die Schnellkühltaaste und die FlexiZone-Temperatureinstelltaste gemeinsam 3 Sekunden lang gedrückt.

Zum Abschalten dieser Funktion drücken Sie die entsprechenden Tasten noch einmal.

17. Kein Eis-Taste

Wenn Ihr Kühlschrank kein Eis mehr bereiten soll, halten Sie diese Taste 3 Sekunden lang gedrückt. Bei abgeschalteter Eisbereitung gelangt kein Wasser mehr in das Eisfach. Allerdings kann noch etwas Eis im Eisfach zurückbleiben, das sich leicht entnehmen lässt. Wenn Ihr Kühlschrank wieder Eis bereiten soll, halten Sie diese Taste erneut 3 Sekunden lang gedrückt.

18. Kein Eis-Anzeige

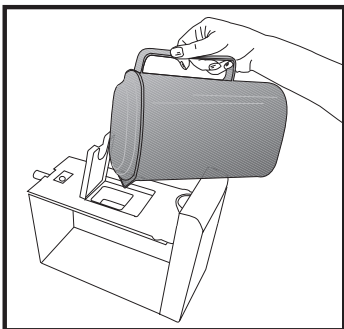
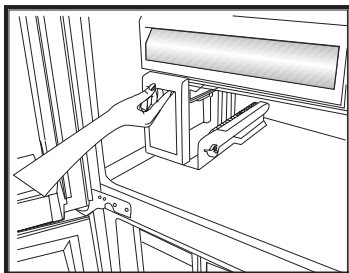
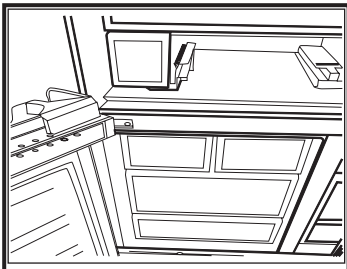
Diese Funktion nutzen Sie, wenn Ihr Kühlschrank kein Eis bereiten soll. Dazu halten Sie die Kein Eis-Taste 3 Sekunden lang gedrückt.

Tür offen-Alarm:

Falls die Tür zum Kühlbereich oder zum FlexiZone-Bereich länger als 1 Minute geöffnet bleibt, ertönt ein Signalton. Zum Abschalten dieses Alarms drücken Sie einfach eine beliebige Taste oder schließen die geöffnete Tür.

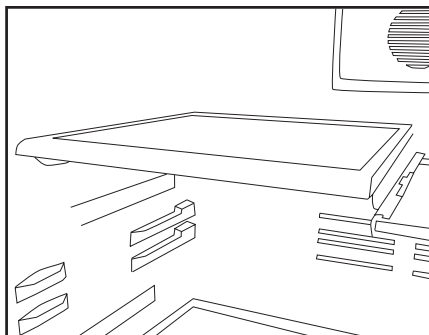
Auto-Eisbereiter

Mit dem automatischen Eisbereiter erhalten Sie Eis schnell und einfach. Nehmen Sie den Wassertank aus dem Kühlbereich heraus, füllen Sie den Tank mit Wasser, setzen Sie den Tank anschließend wieder ein. Nach 2 Stunden liegt das erste Eis in der Eisschublade im Tiefkühlbereich für Sie bereit. Ein komplett gefüllter Wassertank reicht für 70 Eiskwürfel. Wechseln Sie das Wasser im Wassertank nach spätestens 2 – 3 Wochen aus.



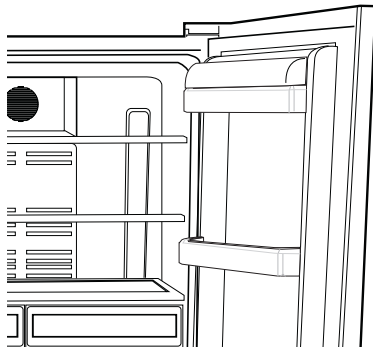
Schubablagen

Die Schubablagen lassen sich vorwärts und rückwärts verschieben. Auch die Höhe lässt sich ändern, indem Sie die Ablagen herausnehmen und an einer höheren oder tieferen Stelle wieder einsetzen. Zum Herausnehmen heben Sie die Ablage leicht an und ziehen sie zu sich hin heraus.



Butter- & Käsefach

In diesem Bereich, der mit einer Abdeckung geschützt ist, können Sie z. B. Butter, Käse und Margarine aufbewahren.



Eierbehälter

Sie können den Eierbehälter in beliebige Türablagen einlegen. Dabei bieten sich die unteren Ablagen an, da hier etwas geringere Temperaturen herrschen.

Legen Sie den Eierbehälter niemals in den Tiefkühlbereich.

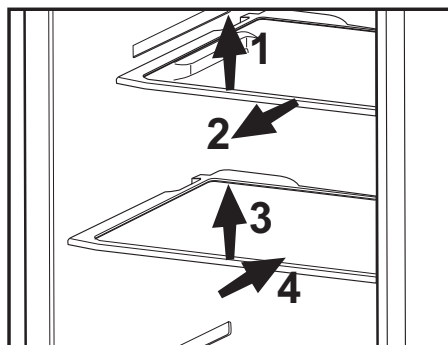
Achten Sie darauf, dass sich Eier und andere Lebensmittel nicht berühren.

Verschiebbare Ablagen

Sie verschieben die Ablagen, indem Sie sie vorne etwas anheben und anschließend nach vorne ziehen oder nach hinten schieben. Sie können die Ablagen bis zum Anschlag herausziehen, um leichter an die Lebensmittel im hinteren Teil der Ablage heranzukommen. Die Ablage lässt sich vollständig entnehmen, indem Sie sie leicht anheben und anschließend weiter herausziehen.

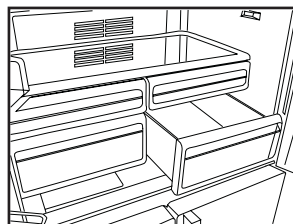
Halten Sie die Ablage fest im Griff (am besten von unten abstützen), damit sie nicht kippt. Die Ablagen laufen in Schienen an den Seiten des Innenraums; Sie können Schienen in unterschiedlicher Höhe nutzen.

Schieben Sie die Ablage stets bis zum Anschlag ein.



Gemüsefach

Im Gemüsefach Ihres Kühlgerätes bleibt Gemüse länger frisch und behält seine natürliche Feuchtigkeit. Dazu wird ständig kühle Luft zum Gemüsefach geleitet.

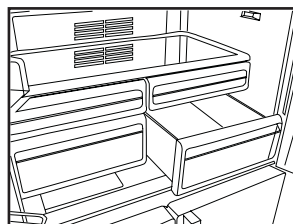


Kühlfach

In Kühlfach können Sie Lebensmittel auf das Einfrieren vorbereiten.

Ebenso eignet sich dieser Bereich für Lebensmittel, die Sie ein paar Grad unterhalb der regulären Kühlbereichstemperatur aufbewahren möchten.

Durch Herausnehmen der Snack-Ablage(n) können Sie das Volumen Ihres Kühlschranks vergrößern. Dazu ziehen Sie das entsprechende Fach zu sich heran, bis es gegen den Anschlag stößt. Nun heben Sie das Fach etwa 1 cm an und ziehen es zu sich hin heraus.



Drehbarer Mittelbereich

Der drehbare Mittelbereich sorgt dafür, dass die kühle Luft im Inneren Ihres Kühlgerätes nicht nach außen entweichen kann. Wenn die Türen des Kühlbereiches geschlossen sind, liegen die Türdichtungen am drehbaren Mittelbereich an und versiegeln diesen Bereich zusätzlich. Ein weiterer Vorteil des drehbaren Mittelbereiches besteht darin, dass sich dadurch das Nettovolumen des Kühlbereiches vergrößert. Andernfalls würde wertvoller Platz im Kühlgerät verschenkt.

FlexiZone-Bereich

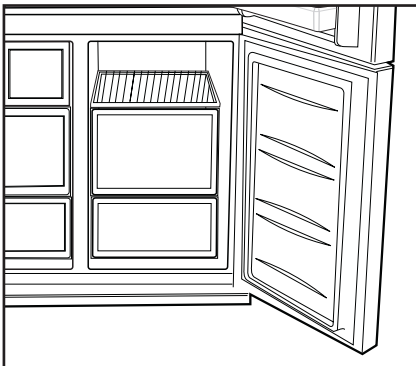
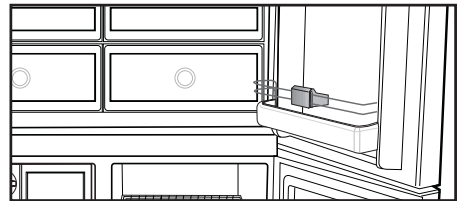
Den FlexiZone-Bereich können Sie nach Belieben einsetzen; durch individuelle Einstellung der Kühl- (2, 4, 6, 8 °C) oder Tiefkühltemperatur (-18, -20, -22, -24 °C). Die gewünschte Temperatur stellen Sie mit der FlexiZone-Temperatureinstelltaste ein. Zusätzlich zu den üblichen Einstellungen des (Tief-)Kühlbereiches können Sie die Temperatur des FlexiZone-Bereiches auf 0 und 10 ° oder auf -6 °C einstellen. Bei 0 °C können Sie Feinkost länger aufbewahren, bei -6 °C hält sich

Fleisch bis zu zwei Wochen lang und kann nach dem Herausnehmen auch problemlos geschnitten werden.

i Ein spezielles Kühlelement an der Rückseite des Gerätes sorgt dafür, dass sich dieser Bereich zum Kühlen oder Tiefkühlen einsetzen lässt. Wenn dieses Kühlelement aktiv ist, können Geräusche entstehen, die an das Ticken einer Uhr erinnern. Dies ist völlig normal und keine Fehlfunktion.

Blaues Licht (bei bestimmten Modellen)

Im Gemüsefach gelagertes Gemüse, wird mit blauem Licht beleuchtet. Dadurch wird die Photosynthese mit Hilfe des Wellenlängeneffekts des blauen Lichts fortgesetzt, Vitamine und Frische bleiben erhalten.



6 **Wartung und Reinigung**

- ⚠ Verwenden Sie zu Reinigungszwecken niemals Benzin oder ähnliche Substanzen.
- ⚠ Wir empfehlen, vor dem Reinigen den Netzstecker zu ziehen.
- ℹ Verwenden Sie zur Reinigung niemals scharfe Gegenstände, Seife, Haushaltsreiniger, Waschmittel oder Wachspolituren.
- ℹ Reinigen Sie das Gehäuse des Gerätes mit lauwarmem Wasser, wischen Sie die Flächen danach trocken.
- ⚠ Zur Reinigung des Innenraums verwenden Sie ein feuchtes Tuch, das Sie in eine Lösung aus 1 Teelöffel Natron und einem halben Liter Wasser getaucht und ausgewrungen haben. Nach dem Reinigen wischen Sie den Innenraum trocken.
- ⚠ Achten Sie darauf, dass kein Wasser in das Lampengehäuse oder andere elektrische Komponenten eindringt.
- ⚠ Wenn Ihr Kühlgerät längere Zeit nicht benutzt wird, ziehen Sie den Netzstecker, nehmen alle Lebensmittel heraus, reinigen das Gerät und lassen die Türe geöffnet.
- ℹ Kontrollieren Sie die Türdichtungen regelmäßig, um sicherzustellen, dass diese sauber und frei von Speiseresten sind.
- ℹ Zum Entfernen einer Türablage räumen Sie sämtliche Gegenständen aus der Ablage und schieben diese dann nach oben heraus.

- ℹ Verwenden Sie zur Reinigung der Außenflächen und Chrombeschichteten Produktteile niemals Reinigungsmittel oder Wasser, die/das Chlor enthält. Chlor lässt Metalloberflächen korrodieren.

Schutz der Kunststoffflächen

- ℹ Geben Sie keine Öle oder stark fetthaltige Speisen offen in Ihren Kühlschrank / Gefrierschrank – dadurch können die Kunststoffflächen angegriffen werden. Sollten die Plastikoberflächen einmal mit Öl in Berührung kommen, so reinigen Sie die entsprechend Stellen umgehend mit warmem Wasser.

7 Empfehlungen zur Problemlösung

Bitte arbeiten Sie diese Liste durch, bevor Sie den Kundendienst anrufen. Das kann Ihnen Zeit und Geld sparen. In der Liste finden Sie häufiger auftretende Probleme, die nicht auf Verarbeitungs- oder Materialfehler zurückzuführen sind. Nicht alle hier beschriebenen Funktionen sind bei jedem Modell verfügbar.

Der Kühlschrank / Gefrierschrank arbeitet nicht.
<ul style="list-style-type: none">• Ist der Kühlschrank / Gefrierschrank richtig angeschlossen? Stecken Sie den Netzstecker in die Steckdose.• Ist die entsprechende Haussicherung herausgesprungen oder durchgebrannt? Überprüfen Sie die Sicherung.
Kondensation an den Seitenwänden des Kühlbereiches. (Multizone, Kühlkontrolle und FlexiZone)
<ul style="list-style-type: none">• Sehr geringe Umgebungstemperaturen. Häufiges Öffnen und Schließen der Tür. Sehr feuchte Umgebung. Offene Lagerung von feuchten Lebensmitteln. Tür nicht richtig geschlossen. Kühlere Thermostateinstellung wählen.• Türen kürzer geöffnet halten oder seltener öffnen.• Offene Behälter abdecken oder mit einem geeigneten Material einwickeln.• Kondensation mit einem trockenen Tuch entfernen und überprüfen, ob diese erneut auftritt.
Der Kompressor läuft nicht
<ul style="list-style-type: none">• Eine Schutzschaltung stoppt den Kompressor bei kurzzeitigen Unterbrechungen der Stromversorgung und wenn das Gerät zu oft und schnell ein- und ausgeschaltet wird, da der Druck des Kühlmittels eine Weile lang ausgeglichen werden muss. Ihr Kühlschrank / Gefrierschrank beginnt nach etwa sechs Minuten wieder zu arbeiten. Bitte wenden Sie sich an den Kundendienst, falls Ihr Kühlschrank / Gefrierschrank nach Ablauf dieser Zeit nicht wieder zu arbeiten beginnt.• Der Kühlschrank / Gefrierschrank taut ab. Dies ist bei einem vollautomatisch abtauenden Kühlschrank / Gefrierschrank völlig normal. Das Gerät taut von Zeit zu Zeit ab.• Der Netzstecker ist nicht eingesteckt. Überprüfen Sie, ob das Gerät richtig angeschlossen ist.• Stimmen die Temperatureinstellungen?• Eventuell ist der Strom ausgefallen.
Der Kühlschrank / Gefrierschrank arbeitet sehr intensiv oder über eine sehr lange Zeit.

- Ihr neues Gerät ist vielleicht etwas breiter als sein Vorgänger. Dies ist völlig normal. Große Kühlgeräte arbeiten oft längere Zeit.
- Die Umgebungstemperatur ist eventuell sehr hoch. Dies ist völlig normal.
- Das Kühlgerät wurde möglicherweise erst vor kurzem in Betrieb genommen oder mit Lebensmitteln gefüllt. Es kann einige Stunden länger dauern, bis der Kühlschrank / Gefrierschrank seine Arbeitstemperatur erreicht hat.
- Kurz zuvor wurden größere Mengen warmer Speisen im Kühlschrank / Gefrierschrank eingelagert. Heiße Speisen führen dazu, dass der Kühlschrank / Gefrierschrank etwas länger arbeiten muss, bis die geeignete Temperatur zur sicheren Lagerung erreicht ist.
- Türen wurden häufig geöffnet oder längere Zeit nicht richtig geschlossen. Der Kühlschrank / Gefrierschrank muss länger arbeiten, weil warme Luft in den Innenraum eingedrungen ist. Öffnen Sie die Türen möglichst selten.
- Die Tür des Kühl- oder Tiefkühlbereichs war nur angelehnt. Vergewissern Sie sich, dass die Türen richtig geschlossen wurden.
- Die Kühlschrank / Gefrierschranktemperatur ist sehr niedrig eingestellt. Stellen Sie die Kühlschrank / Gefrierschranktemperatur höher ein und warten Sie, bis die gewünschte Temperatur erreicht ist.
- Die Türdichtungen von Kühl- oder Gefrierbereich sind verschmutzt, verschlissen, beschädigt oder sitzen nicht richtig. Reinigen oder ersetzen Sie die Dichtung. Beschädigte oder defekte Dichtungen führen dazu, dass der Kühlschrank / Gefrierschrank länger arbeiten muss, um die Temperatur halten zu können.

Die Temperatur im Tiefkühlbereich ist sehr niedrig, während die Temperatur im Kühlbereich normal ist.

- Die Tiefkühltemperatur ist sehr niedrig eingestellt. Stellen Sie die Gefrierfachtemperatur wärmer ein und prüfen Sie.

Die Temperatur im Kühlbereich ist sehr niedrig, während die Temperatur im Tiefkühlbereich normal ist.

- Die Kühltemperatur ist eventuell sehr niedrig eingestellt. Stellen Sie die Kühlbereichtemperatur wärmer ein und prüfen Sie.

Im Kühlbereich gelagerte Lebensmittel frieren ein.

- Die Kühltemperatur ist eventuell sehr niedrig eingestellt. Stellen Sie die Kühlbereichtemperatur wärmer ein und prüfen Sie.

Die Temperatur im Kühl- oder Tiefkühlbereich ist sehr hoch.

<ul style="list-style-type: none"> • Die Temperatur des Kühlbereichs ist eventuell sehr hoch eingestellt. Die Einstellung des Kühlbereichs beeinflusst die Temperatur im Tiefkühlbereich. Stellen Sie den Kühl- oder Tiefkühlbereich auf die gewünschte Temperatur ein. • Türen wurden häufig geöffnet oder längere Zeit nicht richtig geschlossen; weniger häufig öffnen. • Die Tür wurde eventuell nicht richtig geschlossen; Tür richtig schließen. • Kurz zuvor wurden größere Mengen warmer Speisen im Kühlschrank / Gefrierschrank eingelagert. Warten Sie, bis der Kühl- oder Tiefkühlbereich die gewünschte Temperatur erreicht. • Der Kühlschrank / Gefrierschrank war kurz zuvor von der Stromversorgung getrennt. Ihr Kühlschrank / Gefrierschrank braucht einige Zeit, um sich auf die gewünschte Temperatur abzukühlen.
Das Betriebsgeräusch nimmt zu, wenn der Kühlschrank / Gefrierschrank arbeitet.
<ul style="list-style-type: none"> • Das Leistungsverhalten des Kühlgerätes kann sich je nach Umgebungstemperatur ändern. Dies ist völlig normal und keine Fehlfunktion.
Vibrationen oder Betriebsgeräusche.
<ul style="list-style-type: none"> • Der Boden ist nicht eben oder nicht fest. Der Kühlschrank / Gefrierschrank wackelt, wenn er etwas bewegt wird. Achten Sie darauf, dass der Boden eben ist und das Gewicht des Kühlschrank / Gefrierschranks problemlos tragen kann. • Das Geräusch kann durch auf dem Kühlschrank / Gefrierschrank abgestellte Gegenstände entstehen. Nehmen Sie abgestellte Gegenstände vom Kühlschrank / Gefrierschrank herunter.
Fließ- oder Spritzgeräusche sind zu hören.
<ul style="list-style-type: none"> • Aus technischen Gründen bewegen sich Flüssigkeiten und Gase innerhalb des Gerätes. Dies ist völlig normal und keine Fehlfunktion.
Windähnliche Geräusche sind zu hören.
<ul style="list-style-type: none"> • Zum gleichmäßigen Kühlen werden Ventilatoren eingesetzt. Dies ist völlig normal und keine Fehlfunktion.
Kondensation an den Kühlschrank / Gefrierschranksinnenflächen.
<ul style="list-style-type: none"> • Bei heißen und feuchten Wetterlagen tritt verstärkt Eisbildung und Kondensation auf. Dies ist völlig normal und keine Fehlfunktion. • Die Türen wurden eventuell nicht richtig geschlossen; Türen komplett schließen. • Türen wurden häufig geöffnet oder längere Zeit nicht richtig geschlossen; weniger häufig öffnen.
Feuchtigkeit sammelt sich an der Außenseite des Kühlschrank / Gefrierschranks oder an den Türen.

<ul style="list-style-type: none"> • Eventuell herrscht hohe Luftfeuchtigkeit; dies ist je nach Wetterlage völlig normal. Die Kondensation verschwindet, sobald die Feuchtigkeit abnimmt.
<p>Unangenehmer Geruch im Kühlschrank / Gefrierschranksinnenraum.</p>
<ul style="list-style-type: none"> • Das Innere des Kühlschranks / Gefrierschranks muss gereinigt werden. Reinigen Sie das Innere des Kühlschranks / Gefrierschranks mit einem Schwamm, den Sie mit lauwarmem oder kohlenensäurehaltigem Wasser angefeuchtet haben. • Bestimmte Behälter oder Verpackungsmaterialien verursachen den Geruch. Verwenden Sie andere Behälter oder Verpackungsmaterial einer anderen Marke.
<p>Die Tür wurde nicht richtig geschlossen.</p>
<ul style="list-style-type: none"> • Lebensmittelpackungen verhindern eventuell das Schließen der Tür. Entfernen Sie die Verpackungen, welche die Tür blockieren. • Der Kühlschrank / Gefrierschrank steht nicht mit sämtlichen Füßen fest auf dem Boden und schaukelt bei kleinen Bewegungen. Stellen Sie die Höheneinstellschrauben ein. • Der Boden ist nicht eben oder nicht stabil genug. Achten Sie darauf, dass der Boden eben ist und das Gewicht des Kühlschranks / Gefrierschranks problemlos tragen kann.
<p>Das Gemüsefach klemmt.</p>
<ul style="list-style-type: none"> • Die Lebensmittel berühren eventuell den oberen Teil der Schublade. Ordnen Sie die Lebensmittel in der Schublade anders an.

Veillez commencer par lire ce manuel d'utilisation!

Cher client,

Nous espérons que votre produit, qui a été fabriqué dans des usines modernes et vérifié au terme des procédures de contrôle de qualité les plus méticuleuses, vous donnera entière satisfaction.

Veillez donc lire attentivement l'intégralité de ce manuel avant de commencer à utiliser le produit et conservez-le manuel comme référence. Si vous remettez cet appareil à quelqu'un d'autre, remettez-lui également le manuel d'utilisation.

Ce manuel vous aidera à utiliser votre produit ent toute sécurité et efficacement.

- Lisez le manuel avant d'installer et de faire fonctionner votre produit.
- Veillez à lire les instructions de sécurité.
- Laissez ce manuel dans un endroit facile d'accès car vous pourriez en avoir besoin ultérieurement.
- Lisez également la documentation fournie avec le produit.

N'oubliez pas que le manuel d'utilisation est également valable pour plusieurs autres modèles. Les différences entre les différents modèles seront identifiées dans le manuel.

Explication des symboles

Les symboles ci-dessous sont utilisés dans le manuel d'utilisation:

 Informations importantes ou astuces.

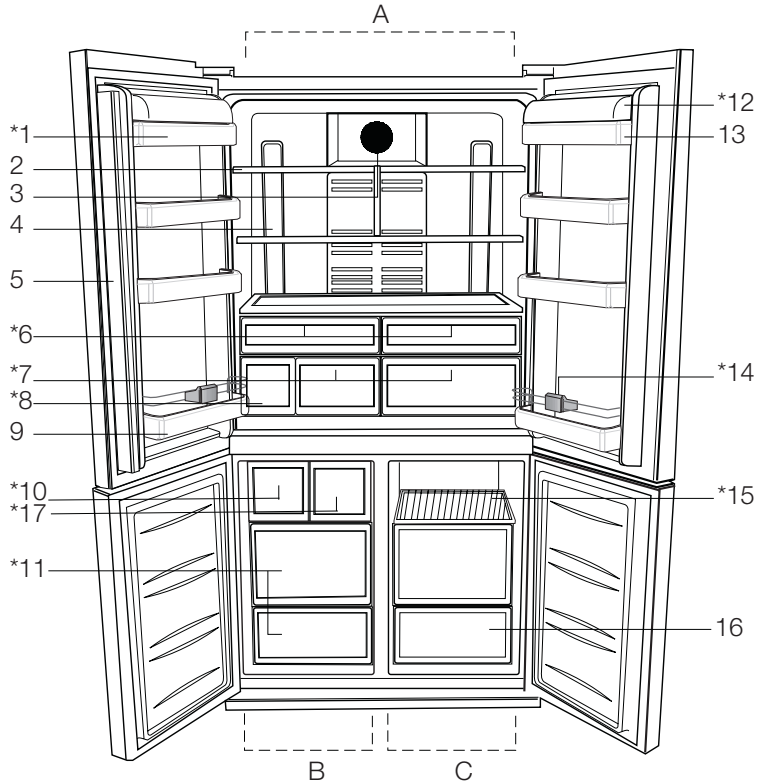
 Avertissement relatif aux situations dangereuses pour la vie et la propriété.

 Avertissement relatif à la tension électrique.

TABLE DES MATIÈRES

1	1	3	4	Préparation	16
2	Précautions de sécurité importantes	4	5	Utilisation de votre réfrigérateur	17
	Utilisation préconisée.....	4		Bandeau indicateur.....	17
	Sécurité générale.....	4		Alarme d'ouverture de porte :	20
	Pour les appareils dotés d'une fontaine à eau ;	9		Section pour Beurre et Fromages	21
	Sécurité enfants.....	9		Etagères coulissantes.....	22
	Conformité avec la réglementation DEEE et mise au rebut des déchets.	10		Bac à Oeufs	22
	Informations relatives à l'emballage..	10		Bac à légumes	22
	Avertissement HC.....	10		Compartiment Zone fraîche	22
	Mesures d'économie d'énergie.....	11		Compartiment Flexi Zone.....	23
	Recommandations relatives au compartiment des produits frais	11		Section centrale modulable	23
				Éclairage bleu	23
3	Installation	12	6	Entretien et nettoyage	24
	Points à prendre en compte lorsque vous transportez à nouveau votre produit.....	12		Protection des surfaces en plastique.	24
	Avant de faire fonctionner votre réfrigérateur	12	7	Dépannage	25
	Branchement électrique.....	13			
	Mise au rebut de l'emballage	13			
	Mise au rebut de votre ancien réfrigérateur	13			
	Disposition et Installation	13			
	Réglage de la stabilité au sol.....	14			
	Réglage du jeu entre les portes supérieures.....	15			

1 Votre réfrigérateur



A- Compartiment réfrigérateur

B- Compartiment congélateur

C- Flexi Zone

1- Balconnets de la porte du compartiment de réfrigération

2- Clayettes en verre du compartiment de réfrigération

3- Couvercle du diffuseur

4- Lentilles d'illumination

5- Section centrale modulable

6- Compartiment Zone fraîche

7- Bac à légumes

8- Réservoir d'eau

9- Clayette range-bouteilles

10- Distributeur de glaçons

11- Compartiments congélateur

12 - Couvercle de l'étagère à Beurre et Fromages

13- Etagère à Beurre et Fromages

14- Range-bouteilles

15- Compartiments de rangement

16- Compartiment produits laitiers

17- Fresh congélateur tiroir

*EN OPTION

i Les illustrations présentées dans cette notice d'utilisation sont schématiques et peuvent ne pas correspondre exactement à votre produit. Si des pièces présentées ne sont pas comprises dans le produit que vous avez acheté, elles sont valables pour d'autres modèles.

2 Précautions de sécurité importantes

Veillez examiner les informations suivantes : Cet appareil peut être utilisé par des enfants âgés d'au moins 8 ans et par des personnes ayant des capacités physiques, sensorielles ou mentales réduites ou dénuées d'expérience ou de connaissance, s'ils (si elles) sont correctement surveillé(e)s ou si des instructions relatives à l'utilisation de l'appareil en toute sécurité leur ont été données et si les risques encourus ont été appréhendés. Les enfants ne doivent pas jouer avec l'appareil. Le nettoyage et l'entretien par l'utilisateur ne doivent pas être effectués par des enfants sans surveillance. Le non respect de ces consignes peut entraîner des blessures ou dommages matériels. Sinon, tout engagement lié à la garantie et à la fiabilité du produit devient invalide.

La durée de vie moyenne du produit que vous avez acheté est de 10 ans. Il s'agit ici de la période au cours de laquelle vous devez conserver les pièces de rechange nécessaires à son fonctionnement.

Utilisation préconisée

Ce produit est prévu pour une utilisation

- en intérieur et dans des zones fermées telles que les maisons ;
- dans les environnements de travail fermés, tels que les magasins et les bureaux ;
- dans les lieux d'hébergement fermés, tels que les fermes, hôtels, pensions.
- Il ne doit pas être utilisé en extérieur.

Sécurité générale

- Si le cordon d'alimentation est endommagé, celui-ci doit être remplacé par le fabricant, ses agents agréés ou tout autre agent qualifié afin d'être à l'abri de tout danger.

- Avant de vous débarrasser de votre appareil, veuillez consulter les autorités locales ou votre revendeur pour connaître le mode opératoire et les organismes de collecte agréés.
- Consultez le service après-vente agréé concernant toutes questions ou problèmes relatifs au réfrigérateur. N'intervenez pas ou ne laissez personne intervenir sur le réfrigérateur sans le communiquer au service après-vente agréé.
- Pour les produits équipés d'un compartiment congélateur : ne mangez pas de cônes de crème glacée ou des glaçons immédiatement après les avoir sortis du compartiment de congélation ! (Cela pourrait provoquer des engelures dans votre bouche).
- Pour les produits équipés d'un compartiment congélateur : ne placez pas de boissons en bouteille ou en cannette dans le compartiment de congélation. Cela peut entraîner leur éclatement.
- Ne touchez pas des produits congelés avec les mains, ils pourraient se coller à celles-ci.
- Débranchez votre réfrigérateur avant de le nettoyer ou de le dégivrer.
- La vapeur et des matériaux de nettoyage pulvérisés ne doivent jamais être utilisés pour les processus de nettoyage ou de dégivrage de votre réfrigérateur. La vapeur pourrait pénétrer dans les pièces électriques et provoquer des courts-circuits ou des électrocutions.
- Ne jamais utiliser les pièces de votre réfrigérateur telles que la porte, comme un support ou une marche.
- N'utilisez pas d'appareils électriques à l'intérieur du réfrigérateur.

- N'endommagez pas les pièces où circule le liquide réfrigérant avec des outils de forage ou coupants. Le liquide réfrigérant qui pourrait s'échapper si les canalisations de gaz de l'évaporateur, les rallonges de tuyau ou les revêtements de surface étaient percés, cela pourrait irriter la peau et provoquer des blessures aux yeux.
- Ne pas couvrir ou obstruer les orifices de ventilation du réfrigérateur.
- Les appareils électriques peuvent être réparés seulement par des personnes autorisées. Les réparations réalisées par des personnes ne présentant pas les compétences requises peuvent présenter un risque pour l'utilisateur.
- En cas de dysfonctionnement ou lors d'opérations d'entretien ou de réparation, débranchez l'alimentation électrique du réfrigérateur soit en désactivant le fusible correspondant, soit en débranchant l'appareil.
- Ne tirez pas sur le câble lorsque vous débranchez la prise.
- Placez les boissons alcoolisées verticalement, dans des récipients convenablement fermés.
- Ne conservez jamais des aérosols contenant des substances inflammables et explosives dans le réfrigérateur.
- N'utilisez pas d'outils mécaniques ou autres dispositifs pour accélérer le processus de décongélation autres que ceux qui sont recommandés par le fabricant.
- Ce produit n'est pas conçu pour être utilisé par des personnes (enfants compris) souffrant de déficience physique, sensorielle, mentale, ou inexpérimentées, à

moins d'avoir obtenu une autorisation auprès des personnes responsables de leur sécurité.

- Ne faites pas fonctionner un réfrigérateur endommagé. Consultez le service agréé en cas de problème.
- La sécurité électrique du réfrigérateur n'est assurée que si le système de mise à la terre de votre domicile est conforme aux normes en vigueur.
- L'exposition du produit à la pluie, la neige, au soleil ou au vent présente des risques concernant la sécurité électrique.
- Contactez le service agréé quand un câble d'alimentation est endommagé pour éviter tout danger.
- Ne branchez jamais le réfrigérateur à la prise murale au cours de l'installation. Vous vous exposeriez à un risque de mort ou à de blessures graves.
- Ce réfrigérateur est conçu seulement pour conserver des aliments. Par conséquent, il ne doit pas être utilisé à d'autres fins.
- L'étiquette avec les caractéristiques techniques est située sur la paroi gauche à l'intérieur du réfrigérateur.
- Ne branchez jamais votre réfrigérateur à des systèmes d'économie d'énergie, cela peut l'endommager.
- S'il y a une lumière bleue sur le réfrigérateur, ne la regardez ni avec vos yeux nus, ni avec des outils optiques pendant longtemps.
- Pour les réfrigérateurs contrôlés manuellement, attendez au moins 5 minutes pour allumer le réfrigérateur après une coupure de courant.
- Si cet appareil venait à changer de propriétaire, n'oubliez pas de remettre la présente notice d'utilisation au nouveau bénéficiaire.

- Évitez d'endommager le câble d'alimentation quand vous transportez le réfrigérateur. Tordre le câble peut entraîner un incendie. Ne placez jamais d'objets lourds sur le câble d'alimentation.
- Évitez de toucher à la prise avec des mains mouillées au moment de brancher l'appareil.
- Évitez de brancher le réfrigérateur lorsque la prise de courant électrique a lâché.
- Pour des raisons de sécurité, évitez de pulvériser directement de l'eau sur les parties externes et internes du réfrigérateur.
- Ne pulvérisez pas de substances contenant des gaz inflammables comme du propane près du réfrigérateur pour éviter tout risque d'incendie et d'explosion.
- Ne placez jamais de récipients contenant de l'eau sur votre réfrigérateur, ils pourraient causer des chocs électriques ou un incendie.
- Évitez de surcharger le réfrigérateur avec une quantité excessive d'aliments. S'il est surchargé, les aliments peuvent tomber, vous blesser et endommager le réfrigérateur quand vous ouvrez la porte.
- Ne placez jamais d'objets au-dessus du réfrigérateur, ils pourraient tomber quand vous ouvrez ou fermez la porte du réfrigérateur.
- Les produits qui nécessitent un contrôle de température précis (vaccin, médicament sensible à la chaleur, matériels scientifiques, etc.) ne doivent pas être conservés dans le réfrigérateur.
- Si le réfrigérateur n'est pas utilisé pendant longtemps, il doit être débranché. Un problème avec le câble d'alimentation pourrait causer un incendie.

- Le bout de la prise électrique doit être nettoyé régulièrement à l'aide d'un chiffon sec, sinon il peut provoquer un incendie.
- Le réfrigérateur peut bouger si ses pieds réglables ne sont pas bien fixés sur le sol. Bien fixer les pieds réglables sur le sol peut empêcher le réfrigérateur de bouger.
- Quand vous transportez le réfrigérateur, ne le tenez pas par la poignée de la porte. Cela peut le casser.
- Quand vous devez placer votre produit près d'un autre réfrigérateur ou congélateur, la distance entre les appareils doit être d'au moins 8 cm. Sinon, les murs adjacents peuvent être humidifiés.

Pour les appareils dotés d'une fontaine à eau ;

- Pour une utilisation optimale du circuit hydraulique du réfrigérateur, la pression

hydraulique du circuit principal doit être comprise entre 1 et 8 bars. Lorsque la pression hydraulique du circuit principal est supérieure à 5 bars, un régulateur de pression est nécessaire. Lorsque la pression hydraulique du circuit principal est supérieure à 8 bars, le circuit hydraulique du réfrigérateur ne doit pas être raccordé au circuit principal. Si vous ignorez comment mesurer la pression hydraulique du circuit principal, faites-vous aider par un professionnel.

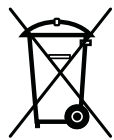
- Utilisez uniquement de l'eau potable.

Sécurité enfants

- Si la porte a un verrouillage, la clé doit rester hors de portée des enfants.
- Les enfants doivent être surveillés et empêchés de s'amuser avec le produit.

Conformité avec la réglementation DEEE et mise au rebut des déchets

Ce produit ne contient pas de matériaux dangereux et interdits décrits dans la « Réglementation sur le contrôle des déchets d'équipements électriques et électroniques » publié par le Ministère de l'Environnement et de l'Urbanisme. Conforme avec la réglementation DEEE.



Le présent produit a été fabriqué avec des pièces et du matériel de qualité supérieure susceptibles d'être réutilisés et adaptés au recyclage. Par conséquent, nous vous conseillons de ne pas le mettre au rebut aux côtés des ordures ménagères à la fin de sa durée de vie. Au contraire, rendez-vous dans un point de collecte pour le recyclage de tout matériel électrique et électronique. Veuillez vous rapprocher des autorités de votre localité pour plus d'informations concernant le point de collecte le plus proche. Aidez-nous à protéger l'environnement et les ressources naturelles en recyclant les produits usagés. Pour la sécurité des enfants, coupez le câble d'alimentation et le mécanisme de verrouillage de la porte, le cas échéant. Ce faisant, vous rendez l'appareil inopérant avant sa mise au rebut.

Informations relatives à l'emballage

Les matériaux d'emballage de cet appareil sont fabriqués à partir de matériaux recyclables, conformément à nos Réglementations Nationales en Environnement. Ne mélangez pas

les matériaux d'emballage avec les déchets domestiques ou d'autres déchets. Amenez-les aux points de collecte des matériaux d'emballage, désignés par les autorités locales.

N'oubliez pas...

Pour la préservation de la nature et de notre santé, il est indispensable de recycler les matières.

Si vous voulez contribuer au recyclage des matériaux d'emballage, vous pouvez vous renseigner auprès d'organisations environnementales ou de l'autorité locale proche de votre domicile.

Avertissement HC

Si le système de refroidissement de votre appareil contient R600a :

Ce gaz est inflammable. Par conséquent, veuillez prendre garde à ne pas endommager le système de refroidissement et les tuyauteries lors de son utilisation ou de son transport. En cas de dommages, éloignez votre produit de toute source potentielle de flammes susceptible de provoquer l'incendie de l'appareil. De même, placez le produit dans une pièce aérée.

Ne tenez pas compte de cet avertissement si le système de refroidissement de votre appareil contient R134a.

Le type de gaz utilisé dans l'appareil est mentionné sur la plaque signalétique située sur la paroi gauche de l'intérieur du réfrigérateur.

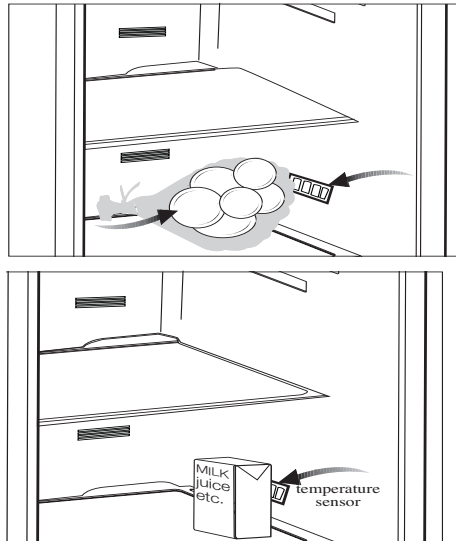
Ne jetez jamais l'appareil au feu pour vous en débarrasser.

Mesures d'économie d'énergie

- Ne laissez pas les portes du réfrigérateur ouvertes pendant une durée prolongée.
- N'introduisez pas de denrées ou de boissons chaudes dans le réfrigérateur.
- Ne surchargez pas le réfrigérateur pour ne pas obstruer pas la circulation d'air à l'intérieur.
- N'installez pas le réfrigérateur à la lumière directe du soleil ou près d'appareil émettant de la chaleur tels qu'un four, un lave-vaisselle ou un radiateur. Maintenez une distance d'au moins 30 cm entre votre réfrigérateur et toute source de chaleur, et à une distance de 5cm d'un four électrique.
- Veillez à conserver vos denrées dans des récipients fermés.
- Pour les produits équipés d'un compartiment congélateur : vous pouvez conserver une quantité maximale d'aliments dans le congélateur quand vous enlevez l'étagère ou le tiroir du congélateur. La consommation d'énergie précisée pour votre réfrigérateur a été déterminée en enlevant l'étagère ou le tiroir du congélateur et avec la charge maximale. Il n'y aucun risque à utiliser une étagère ou un tiroir en fonction des formes et tailles des denrées à congeler.
- La décongélation des aliments dans le compartiment réfrigérateur permet de faire des économies d'énergie et de préserver la qualité des aliments.

Recommandations relatives au compartiment des produits frais *en option

- Ne laissez pas les aliments toucher le capteur de température situé dans le compartiment des produits frais. Pour que le compartiment des produits frais conserve sa température idéale, le capteur ne doit pas être encombré par des aliments.
- Ne placez pas de denrées chaudes dans votre appareil.



3 Installation

⚠ Veuillez noter que le fabricant ne pourra être tenu responsable si les informations fournies dans cette notice d'utilisation ne sont pas respectées.

Points à prendre en compte lorsque vous transportez à nouveau votre produit.

1. Le réfrigérateur doit être vidé et nettoyé avant tout transport.
2. Les clayettes, accessoires, bac à légumes, etc. de votre réfrigérateur doivent être fixés solidement avec de la bande adhésive avant de remballer l'appareil, pour le protéger en cas de chocs.
3. L'emballage doit être fixé avec une bande adhésive forte et des cordes solides, et les normes de transport indiquées sur l'emballage doivent être appliquées.

Gardez à l'esprit les points suivants...

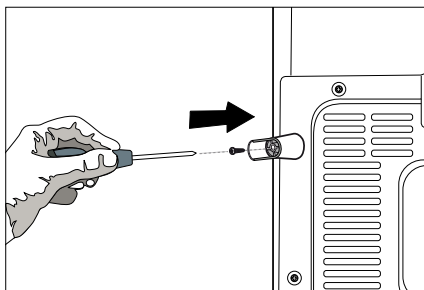
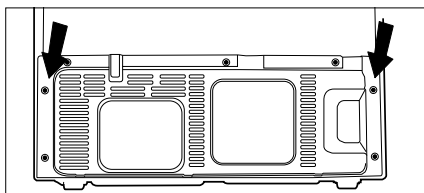
Chaque matériau recyclé est une participation indispensable à la préservation de la nature et conservation de nos ressources nationales.

Si vous souhaitez contribuer à recycler les matériaux d'emballage, vous pouvez obtenir des informations supplémentaires auprès des organismes environnementaux ou des autorités locales.

Avant de faire fonctionner votre réfrigérateur

Avant de commencer à faire fonctionner votre réfrigérateur, vérifiez les points suivants :

1. L'intérieur du réfrigérateur est sec et l'air peut circuler librement à l'arrière?
2. Insérez les 2 cales en plastique sur la ventilation arrière, tel qu'illustré dans la figure suivante. Dévissez les vis présentes et vissez les vis fournies avec la poche des cales. Les cales en plastique maintiendront la distance nécessaire entre votre réfrigérateur et le mur pour permettre une bonne circulation de l'air.



3. Nettoyez l'intérieur du réfrigérateur tel qu'indiqué dans la section « Entretien et nettoyage ».
4. Branchez le réfrigérateur dans la prise murale. Lorsque la porte est ouverte, l'éclairage intérieur correspondant s'allumera.
5. Vous remarquerez un bruit lorsque le compresseur se met en marche. Le liquide et les gaz intégrés au système du réfrigérateur peuvent également faire du bruit, que le compresseur soit en marche ou non. Ceci est tout à fait normal.

6. Les parties antérieures du réfrigérateur peuvent chauffer. Ce phénomène est normal. Ces zones doivent en principe être chaudes pour éviter tout risque de condensation.

Branchement électrique

Branchez votre réfrigérateur à une prise de mise à la terre protégée par un fusible ayant une capacité appropriée.

Important :

- Le branchement doit être conforme aux normes en vigueur sur le territoire national.
 - La fiche de câble d'alimentation doit être facilement accessible après installation.
 - La tension et la protection du fusible autorisées sont spécifiées dans la section « Caractéristiques techniques ».
 - La tension spécifiée doit être égale à votre tension de secteur.
 - Les rallonges et prises multivoies ne doivent pas être utilisés pour brancher l'appareil.
- ⚠ Un câble d'alimentation endommagé doit être remplacé par un électricien qualifié.

⚠ L'appareil ne doit pas être mis en service avant d'être réparé ! Un risque de choc électrique existe!

Mise au rebut de l'emballage

Les matériaux d'emballage peuvent être dangereux pour les enfants. Tenez les matériaux d'emballage hors de portée des enfants ou débarrassez-vous-en conformément aux consignes sur les déchets. Ne les jetez pas aux côtés des ordures ménagères ordinaires.

L'emballage de votre appareil est produit à partir des matériaux recyclables.

Mise au rebut de votre ancien réfrigérateur

Débarrassez-vous de votre ancien réfrigérateur sans nuire à l'environnement.

- Vous pouvez consulter le service après-vente agréé ou le centre chargé de la mise au rebut dans votre municipalité pour en savoir plus sur la mise au rebut de votre produit.

Avant de procéder à la mise au rebut de votre machine, coupez la prise électrique et, le cas échéant, tout verrouillage susceptible de se trouver sur la porte. Rendez-les inopérants afin de ne pas exposer les enfants à d'éventuels dangers.

Disposition et Installation

Attention: Ne branchez jamais le réfrigérateur à la prise murale au cours de l'installation. Vous vous exposeriez à un risque de mort ou à de blessures graves.

Si la porte d'entrée de la pièce où sera installé le réfrigérateur n'est pas assez large pour laisser passer le réfrigérateur, appelez alors le service après-vente pour faire retirer les portes du réfrigérateur et le faire passer latéralement.

1. Installez le réfrigérateur dans un emplacement qui permette une utilisation pratique.

2. Maintenez le réfrigérateur éloigné de toutes sources de chaleur, des endroits humides et de la lumière directe du soleil.

3. Une ventilation d'air autour du réfrigérateur doit être aménagée pour obtenir un fonctionnement efficace.

Si le réfrigérateur est placé dans un enfoncement du mur, il doit y avoir un espace d'au moins 5 cm avec le plafond et d'au moins 5 cm avec le mur.

Si le sol est couvert de moquette, votre produit doit être surélevé à 2,5 cm du sol.

4. Placez le réfrigérateur sur une surface plane afin d'éviter les à-coups.

5. N'exposez pas le réfrigérateur à des températures ambiantes inférieures à -5°C .

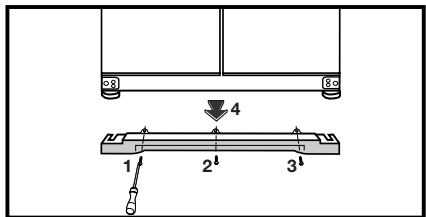
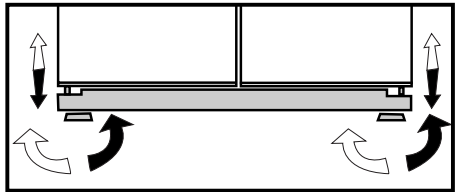
Réglage de la stabilité au sol

Si le réfrigérateur n'est pas stable.

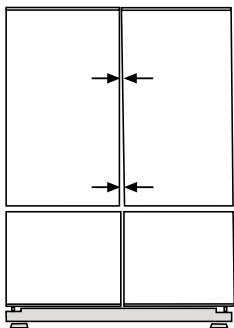
1- Le cache de ventilation est retiré en enlevant les vis, tel qu'illustré sur le schéma avant la procédure. Vous pouvez équilibrer le réfrigérateur en tournant les pieds avant, tel qu'illustré dans le schéma. Le côté où se trouve le pied s'abaisse lorsque vous tournez dans le sens de la flèche noire, et s'élève lorsque vous tournez dans le sens opposé. Si vous vous faites aider par quelqu'un pour légèrement soulever le réfrigérateur, l'opération s'en trouvera simplifiée.

2. Après avoir réalisé la stabilisation, installez le cache de ventilation et fixez les vis fournies.

3. Retirez les deux vis de fixation du cache de ventilation inférieur à l'aide d'un tournevis Philips.

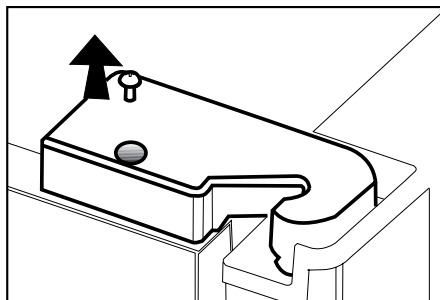


Réglage du jeu entre les portes supérieures

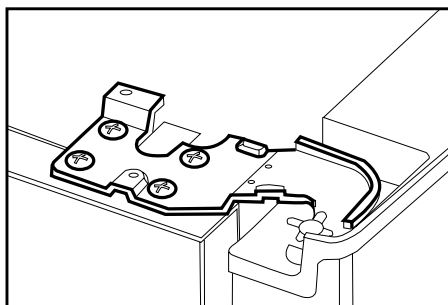


- Vous pouvez régler le jeu entre les portes du compartiment de réfrigération comme illustré sur les schémas.

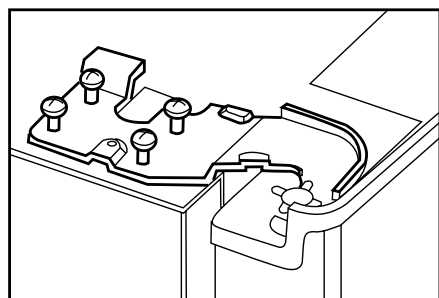
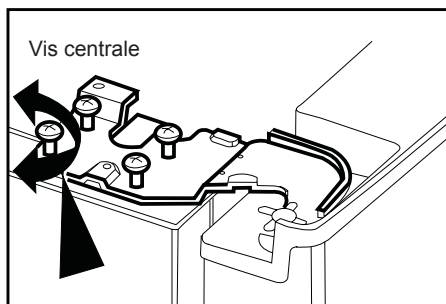
Les étagères de la porte doivent être vides pour effectuer le réglage de la hauteur.



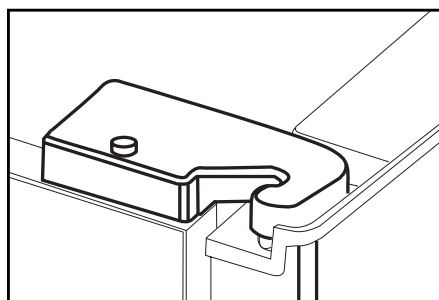
- Fixez la porte que vous avez réglée en serrant les vis sans modifier la position de la porte.



- A l'aide d'un tournevis, retirez la vis du cache de la charnière supérieure de la porte que vous souhaitez régler.



- Ajustez la porte à votre gré en desserrant les vis.



- Remplacez le cache de la charnière et fixez la vis.

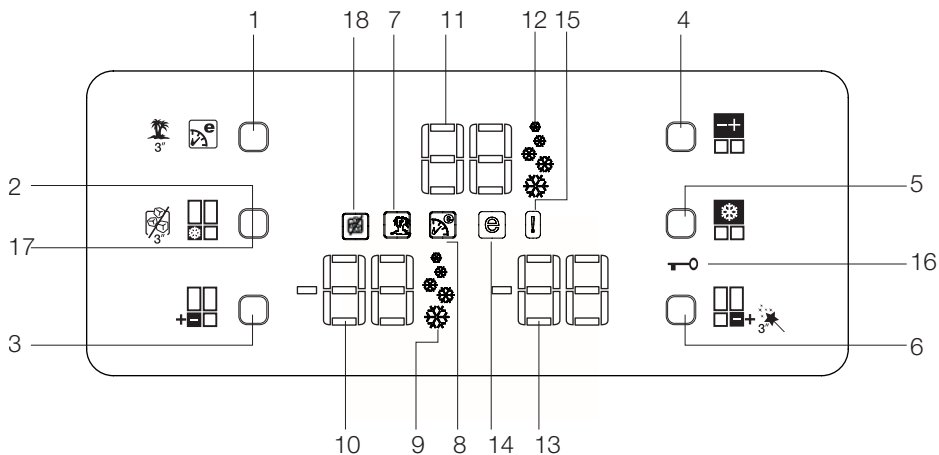
4 Préparation

- Votre congélateur / réfrigérateur doit être installé à au moins 30 cm des sources de chaleur telles que les plaques de cuisson, les fours, appareils de chauffage ou cuisinières, et à au moins 5 cm des fours électriques. De même, il ne doit pas être exposé à la lumière directe du soleil.
- Veuillez vous assurer que l'intérieur de votre appareil est soigneusement nettoyé.
- La température ambiante de la pièce où vous installez le congélateur / réfrigérateur doit être d'au moins -5°C. Faire fonctionner l'appareil sous des températures inférieures n'est pas recommandé et pourrait nuire à son efficacité.
- Si deux congélateur / réfrigérateurs sont installés côte à côte, ils doivent être séparés par au moins 2 cm.
- Lorsque vous faites fonctionner le congélateur / réfrigérateur pour la première fois, assurez-vous de suivre les instructions suivantes pendant les six premières heures.
- La porte ne doit pas être ouverte fréquemment.
- Le congélateur / réfrigérateur doit fonctionner à vide, sans denrées à l'intérieur.
- Ne débranchez pas le congélateur / réfrigérateur. Si une panne de courant se produit, veuillez vous reporter aux avertissements dans la section « Solutions recommandées aux problèmes ».
- L'emballage et les matériaux de protection d'emballage doivent être conservés pour les éventuels transports ou déplacements à venir.

5 Utilisation de votre réfrigérateur

Bandeau indicateur

Le bandeau indicateur à commande tactile vous permet de régler la température sans ouvrir la porte de votre réfrigérateur. Vous n'avez qu'à appuyer sur le bouton correspondant avec un doigt pour régler la température.



1. Bouton Eco Extra / Vacances
2. Bouton de congélation rapide
3. Bouton de réglage de température du compartiment de congélation
4. Bouton de réglage de température du compartiment de réfrigération
5. Bouton de refroidissement rapide
6. Bouton de réglage de température du compartiment Flexi Zone
7. Indicateur de Fonction Vacances
8. Indicateur de fonction Eco Extra
9. Indicateur de fonction de congélation rapide
10. Indicateur de température du compartiment de congélation
11. Indicateur de température du compartiment de réfrigération
12. Indicateur de fonction de refroidissement rapide
13. Indicateur de température du compartiment Flexi Zone
14. Indicateur mode Economie
15. Indicateur d'état de dysfonctionnement
16. Voyant verrouillage des commandes
17. Indicateur d'annulation de glace
18. Bouton d'annulation de glace

📌 Tämän ohjekirjan kuvitus on kaavakuviin perustuvaa eikä se ehkä vastaa täysin todellista tuotetta Jos jokin osa puuttuu ostanastasi tuotteesta, kuvaus koskee muita malleja.

1. Bouton Eco Extra / Vacances

Appuyez brièvement sur ce bouton pour activer la fonction Eco Extra. Appuyez sur ce bouton pendant 3 secondes pour activer la fonction Vacances. Appuyez de nouveau sur ce bouton pour désactiver la fonction sélectionnée.

2. Bouton de congélation rapide

Appuyez brièvement sur ce bouton pour activer la fonction Congélation rapide. Appuyez de nouveau sur ce bouton pour désactiver la fonction sélectionnée.

3. Bouton de réglage de température du compartiment de congélation

Appuyez sur ce bouton pour régler la température du compartiment de congélation à -18, -20, -22, -24, -18... respectivement. Appuyez sur ce bouton pour définir la température souhaitée pour le compartiment du congélateur.

4. Bouton de réglage de température du compartiment de réfrigération

Appuyez sur ce bouton pour régler la température du compartiment réfrigérateur à 8, 6, 4, 2, 8... respectivement. Appuyez sur ce bouton pour définir la température souhaitée pour le compartiment du réfrigérateur.

5. Bouton de refroidissement rapide

Appuyez brièvement sur ce bouton pour activer la fonction de Refroidissement rapide. Appuyez de nouveau sur ce bouton pour désactiver la fonction sélectionnée.

6. Bouton de réglage de température du compartiment Flexi Zone

Vous pouvez régler le compartiment Flexi Zone comme compartiment de réfrigérateur ou de congélateur. Appuyez sur ce bouton et maintenez-le enfoncé pendant longtemps (3 secondes) pour régler le compartiment Flexi Zone comme compartiment de réfrigérateur ou de congélateur. Ce compartiment est réglé comme compartiment de congélation en usine.

Si le compartiment Flexi Zone est réglé comme congélateur, sa température changera de -18 à -20, -22, -24, -18... respectivement à chaque pression sur ce bouton. Si le compartiment Flexi Zone est réglé comme réfrigérateur, sa température changera de 10 à 8, 6, 4, 2, 0, -6... respectivement à chaque pression sur ce bouton.

7. Indicateur de Fonction Vacances

Il indique que la fonction vacances est en marche. Si cette fonction est active, “- -” s’affiche sur l’indicateur du compartiment du réfrigérateur, et aucun refroidissement n’est réalisé dans le compartiment du réfrigérateur. Les autres compartiments seront refroidis en fonction de la température définie pour leur fonctionnement.

Appuyez sur le bouton correspondant pour désactiver cette fonction.

8. Indicateur de fonction Eco Extra

Indique que la fonction Eco Extra est en marche. Si cette fonction est active, "votre réfrigérateur détectera automatiquement les dernières périodes d'utilisation et un refroidissement économe en énergie sera réalisé pendant ces périodes. L'indicateur d'économie est activé lorsque le refroidissement à économie d'énergie est réalisé.

Appuyez sur le bouton correspondant pour désactiver cette fonction.

9. Indicateur Fonction Congélation rapide

Indique que la fonction Congélation rapide est en marche. Utilisez cette fonction lorsque vous placez de la nourriture dans le compartiment de congélation ou lorsque vous avez besoin de glace. Lorsque cette fonction est active, votre réfrigérateur fonctionnera pendant 6 heures d'affilée.

Appuyez sur le bouton correspondant pour désactiver cette fonction.

10. Indicateur de température du compartiment de congélation

Indique le réglage de température pour le compartiment réfrigérateur.

11. Indicateur de la température du compartiment réfrigérateur

Indique le réglage de température pour le compartiment réfrigérateur.

12. Indicateur de la fonction de refroidissement rapide

Il indique que la fonction Refroidissement rapide est en marche. Utilisez cette fonction lorsque vous placez de la nourriture dans le compartiment réfrigérateur ou lorsque vous voulez refroidir rapidement vos denrées. Lorsque cette fonction est active, votre réfrigérateur fonctionnera pendant 2 heures d'affilée.

Appuyez sur le bouton correspondant pour désactiver cette fonction.

13. Indicateur de température du compartiment Flexi Zone

Indique le réglage de température pour le compartiment Flexi Zone.

14. Indicateur de mode Economie

Il indique que le réfrigérateur fonctionne en mode d'économie d'énergie. Température du compartiment de congélation Cet indicateur sera activé si la fonction est réglée sur -18 ou si le refroidissement à économie d'énergie est réalisé suite à l'activation de la fonction Eco Extra.

15. Indicateur d'état de dysfonctionnement

Si votre réfrigérateur ne refroidit pas correctement ou s'il y a un dysfonctionnement dans un capteur, cet indicateur sera activé. Lorsque cet indicateur est activé, l'indicateur de la température du compartiment de congélation affichera "E" et l'indicateur de température du compartiment du réfrigérateur affichera des chiffres, par ex.: "1,2,3...". Ces nombres fournissent des informations concernant le dysfonctionnement au personnel de maintenance.

16. Voyant verrouillage des commandes

Utilisez cette fonction si vous souhaitez conserver les réglages de température du votre réfrigérateur. Appuyez sur le bouton Refroidissement rapide et le bouton de réglage de la température du compartiment Flexi Zone simultanément pendant longtemps (3 secondes environ) pour activer cette fonction.

Appuyez sur les boutons correspondants de nouveau pour désactiver cette fonction.

17. Bouton d'annulation de glace

Pour empêcher la formation de cristaux, appuyez sur le bouton d'annulation de glace pendant 3 secondes. Une fois l'option d'annulation de glace sélectionnée, l'eau ne sera plus envoyée dans le bac à glace. En dépit de ce phénomène, certains cristaux peuvent rester dans le bac à glace. Pour relancer le processus de formation de cristaux, vous devez appuyer sur le bouton d'annulation de glace pendant 3 secondes.

18. Indicateur d'annulation de glace

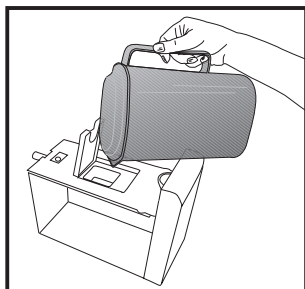
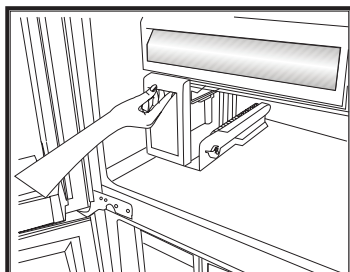
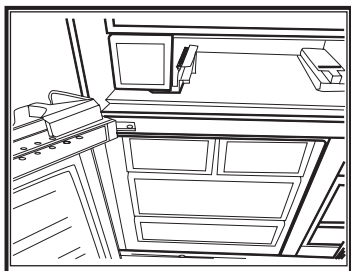
Si vous ne souhaitez pas obtenir de glace du réfrigérateur, nous vous conseillons d'utiliser cette fonction. Pour ce faire, appuyez sur le bouton d'annulation de glace pendant 3 secondes.

Alarme d'ouverture de porte :

Si l'une des portes du compartiment Réfrigérateur ou du compartiment Flexi Zone reste ouverte pendant au moins 1 minute, l'alarme d'ouverture de porte s'activera. Vous n'avez qu'à appuyer sur un bouton de l'indicateur ou fermer la porte pour éteindre l'alarme.

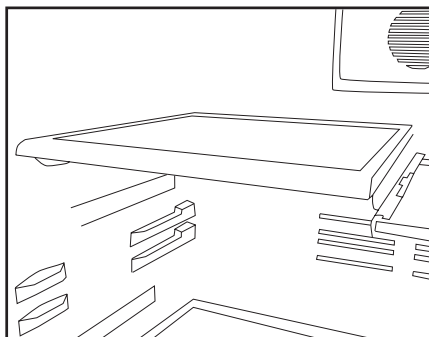
Distributeur de glaçons

Le système de distribution de glaçons automatique vous permet d'obtenir facilement de la glace avec votre réfrigérateur. Retirez le réservoir d'eau dans le compartiment de réfrigération, remplissez-le d'eau et remplacez-le pour obtenir de la glace du distributeur. Les premiers glaçons seront prêts en 2 heures dans le tiroir à glace situé dans le compartiment de congélation. Vous pouvez avoir jusqu'à 70 glaçons dans le réservoir d'eau si celui-ci est complètement rempli. Changez l'eau du réservoir si vous l'avez laissée plus de 2-3 semaines.



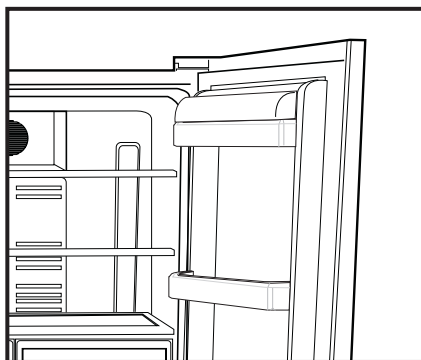
Étagères coulissantes avec fixations à l'arrière

Les étagères coulissantes à fixations à l'arrière peuvent être déplacées vers l'avant ou vers l'arrière. Il est également possible de régler leur hauteur en les retirant puis en les installant plus bas ou plus haut. Soulevez légèrement l'échelle et tirez-la vers vous pour la retirer.



Section pour Beurre et Fromages

Les denrées telles que le beurre, le fromage et la margarine peuvent être rangées dans ce compartiment équipé d'un couvercle.



Bac à Oeufs

Vous pouvez placer la section oeufs sur n'importe quelle étagère de la porte. Si vous comptez les ranger dans le corps du réfrigérateur, il est recommandé de choisir les étagères inférieures, car offrent plus de fraîcheur aux produits.

Ne rangez pas d'oeufs dans le compartiment congélateur.

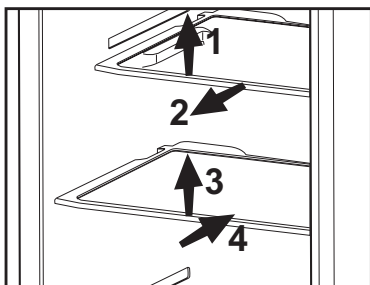
Évitez de mettre les oeufs en contact avec d'autres aliments.

Etagères coulissantes

- Les étagères coulissantes peuvent être basculées légèrement en les soulevant par l'avant. Vous pouvez alors les coulisser ainsi vers l'avant et l'arrière. Lorsque vous les basculez, elles reposeront sur une butée vous permettant d'atteindre les denrées placées à l'arrière de l'étagère. Si vous tirez dessus après les avoir soulevées une fois arrivé à la seconde butée, l'étagère sera libérée.

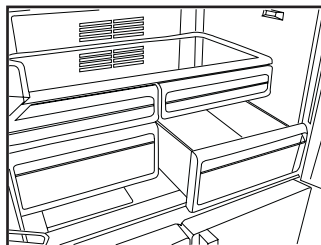
L'étagère doit être fermement maintenue par la bas pour éviter qu'elle ne bascule complètement. L'étagère est placée sur des rails sur les côtés du réfrigérateur. Vous pouvez la placer sur un niveau supérieur ou un niveau inférieur.

L'étagère doit être poussée pour revenir complètement en place.



Bac à légumes

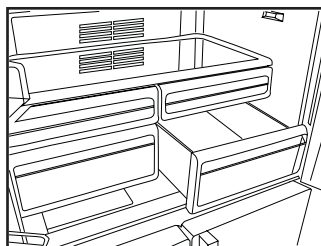
Le bac à légumes de votre réfrigérateur a été spécialement conçu pour vous aider à conserver vos denrées au frais sans que celles-ci n'aient à perdre de leur humidité. Dans cet objectif, l'air frais circule tout autour du bac à légumes.



Compartiment Zone fraîche

Les compartiments de zone fraîche vous permettent de préparer les aliments à congeler. Vous pouvez également utiliser ces compartiments si vous souhaitez conserver vos aliments à une température quelque peu inférieure à celle du compartiment de réfrigération.

Vous pouvez augmenter le volume interne de votre réfrigérateur en enlevant ce compartiment. Pour ce faire, tirez le compartiment vers vous; une fois qu'il aura buté, soulevez le d'environ 1 cm et tirez le vers-vous à nouveau.

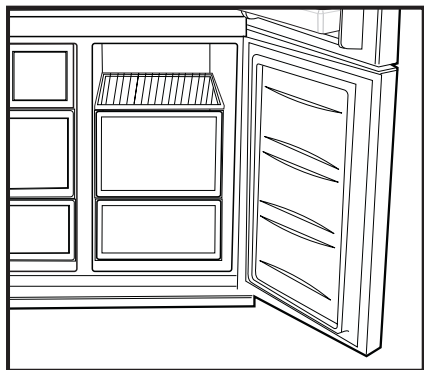


Section centrale modulable

La section centrale modulable est destinée à empêcher l'air froid à l'intérieur du réfrigérateur de s'échapper. Lorsque les portes du réfrigérateur sont fermées, les joints de la porte appuient sur la section centrale modulable qui assure l'étanchéité de l'ensemble. Cela permet d'augmenter le volume net du compartiment de réfrigération. En effet, la section centrale modulable occupe moins de place qu'une section standard.

Compartiment Flexi Zone

Le compartiment de conservation Flexi Zone de votre réfrigérateur peut être utilisé dans n'importe quel mode en le réglant sur les températures du réfrigérateur (2/4/6/8 °C) ou du congélateur (-18/-20/-22/-24). Vous pouvez conserver le compartiment à la température désirée avec le Bouton de réglage de la température du compartiment de conservation Flexi Zone. La température du compartiment de conservation Flexi Zone peut être réglée entre 0 et 10

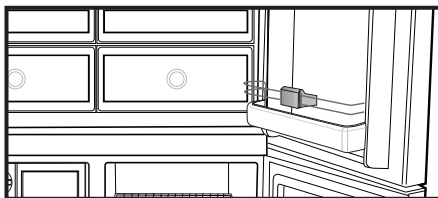


degrés en plus des températures du compartiment du réfrigérateur et à -6 degrés en plus des températures du compartiment du congélateur. 0 degré est utilisé pour conserver les produits laitiers plus longtemps, -6 degrés est utilisé pour conserver les viandes jusqu'à 2 semaines dans un état permettant une découpe simplifiée.

i La fonction de passage à un compartiment réfrigérateur ou congélateur est possible grâce à un élément réfrigérant situé dans la section fermée (compartiment du compresseur) à l'arrière du réfrigérateur. Pendant le fonctionnement de cet élément, des bruits similaires à ceux provenant d'une horloge analogique peuvent être entendus. Ce phénomène est tout à fait normal et ne constitue nullement un dysfonctionnement.

Éclairage bleu *en option

Les denrées conservées dans les bacs à légumes sont éclairées par une lumière bleue qui, grâce aux effets de sa longueur d'onde, permet aux fruits et légumes de continuer la photosynthèse et ainsi de conserver leur fraîcheur et leur teneur en vitamines.



6 Entretien et nettoyage

- ⚠ N'utilisez jamais d'essence, de benzène ou de matériaux similaires pour le nettoyage.
- ⚠ Nous vous recommandons de débrancher l'appareil avant de procéder au nettoyage.
- ℹ N'utilisez jamais d'ustensiles tranchants, savon, produit de nettoyage domestique, détergent et cirage pour le nettoyage.
- ℹ Utilisez de l'eau tiède pour nettoyer la carrosserie du congélateur / réfrigérateur et séchez-la soigneusement à l'aide d'un chiffon.
- ℹ Utilisez un chiffon humide imbibé d'une solution composée d'une cuillère à café de bicarbonate de soude pour un demi litre d'eau pour nettoyer l'intérieur et séchez soigneusement.
- ⚠ Prenez soin de ne pas faire couler d'eau dans le logement de la lampe et dans d'autres éléments électriques.
- ⚠ En cas de non utilisation de votre congélateur / réfrigérateur pendant une période prolongée, débranchez le câble d'alimentation, sortez toutes les denrées, nettoyez-le et laissez la porte entrouverte.
- ℹ Inspectez les joints de porte régulièrement pour vérifier qu'ils sont propres et qu'il n'y a pas de résidus de nourriture.

- ℹ Pour retirer les balconnets de portes, sortez tout son contenu puis poussez simplement le balconnet vers le haut à partir de la base.
- ℹ Ne jamais utiliser des produits nettoyants ou de l'eau contenant du chlore pour le nettoyage des surfaces externes et des pièces chromées du produit. Le chlore entraîne la corrosion de ces surfaces métalliques.

Protection des surfaces en plastique.

- Ne placez pas d'huiles ou de plats huileux dans le congélateur / réfrigérateur dans des récipients non fermés, car les graisses peuvent endommager les surfaces en plastique du congélateur / réfrigérateur. Si vous versez ou éclaboussez de l'huile sur les surfaces en plastique, nettoyez et lavez les parties souillées avec de l'eau chaude immédiatement.

7 Dépannage

Veillez vérifier la liste suivante avant d'appeler le service après-vente. Cela peut vous faire économiser du temps et de l'argent. Cette liste regroupe les problèmes les plus fréquents ne provenant pas d'un défaut de fabrication ou d'utilisation du matériel. Il se peut que certaines des fonctions décrites ne soient pas présentes sur votre produit.

Le réfrigérateur ne fonctionne pas.

- La fiche n'est pas insérée correctement dans la prise. >>>Insérez correctement la fiche dans la prise.
- Est-ce que le fusible ou le fusible principal a sauté ? >>>Vérifiez le fusible.

Condensation sur la paroi intérieure du compartiment réfrigérateur. (MULTIZONE, COOL CONTROL et FLEXI ZONE).

- La température ambiante est très froide. >>>N'installez pas le réfrigérateur dans des endroits où la température peut être inférieure à 10 °C.
- La porte a été ouverte souvent. >>>Évitez d'ouvrir et de fermer trop fréquemment la porte du réfrigérateur.
- L'environnement est très humide. >>>N'installez pas votre réfrigérateur dans des endroits très humides.
- La nourriture contenant du liquide est conservée dans des récipients ouverts. >>>Ne conservez pas de la nourriture contenant du liquide dans des récipients ouverts.
- La porte du réfrigérateur est laissée entrouverte. >>>Fermez la porte du réfrigérateur.
- Le thermostat est réglé à un niveau très froid. >>>Réglez le thermostat à un niveau adapté.

Le compresseur ne fonctionne pas.

- Le dispositif de protection thermique du compresseur sautera en cas de coupures soudaines du courant ou de débranchement intempestif, en effet la pression du liquide réfrigérant du système de refroidissement ne sera pas équilibrée. Le réfrigérateur recommencera à fonctionner normalement après 6 minutes environ. Veuillez contacter le service après-vente si le réfrigérateur ne redémarre pas après cette période.
- Le réfrigérateur est en mode dégivrage. >>>Cela est normal pour un réfrigérateur à dégivrage semi-automatique. Le cycle de dégivrage se déclenche régulièrement.
- Le réfrigérateur n'est pas branché à la prise. >>>Assurez-vous que la prise est branchée dans la prise murale.
- Les réglages de température ne sont pas effectués correctement. >>>Sélectionnez la température appropriée.
- Il y a une panne de courant. >>>Le réfrigérateur recommence à fonctionner normalement après le retour du courant.

Le niveau sonore augmente lorsque le réfrigérateur est en marche.

- Les caractéristiques de performance du réfrigérateur peuvent changer en raison des variations de la température ambiante. Cela est normal et n'est pas un défaut.

Le réfrigérateur fonctionne fréquemment ou pendant de longues périodes.

- Votre nouveau réfrigérateur est peut-être plus large que l'ancien. Les grands réfrigérateurs fonctionnent plus longtemps.
- La température de la pièce est probablement élevée. >>>Il est normal que l'appareil fonctionne plus longtemps quand la température ambiante est élevée.
- Le réfrigérateur pourrait y avoir été branché tout récemment ou pourrait avoir été chargé de denrées alimentaires. >>>Quand le réfrigérateur a été branché ou récemment rempli avec de la nourriture, il met plus de temps à atteindre la température réglée. Ce phénomène est normal.
- D'importantes quantités de denrées chaudes ont peut-être été introduites dans le réfrigérateur récemment. >>>Ne mettez pas de nourriture chaude dans le réfrigérateur.
- Les portes ont peut-être été ouvertes fréquemment ou laissées entrouvertes pendant une durée prolongée. >>>L'air chaud qui entre dans l'appareil oblige le réfrigérateur à travailler sur de plus longues périodes. N'ouvrez pas les portes fréquemment.
- La porte du réfrigérateur est probablement entrouverte. >>>Vérifiez que les portes sont bien fermées.
- Le réfrigérateur est réglé à une température très basse. >>>Réglez la température du réfrigérateur à un degré supérieur et attendez que la température réglée soit atteinte.
- Le joint de la porte du réfrigérateur ou du congélateur peut être sale, déchiré, rompu ou mal en place. >>>Nettoyez ou remplacez le joint. Tout joint endommagé/déchiré fait fonctionner le réfrigérateur pendant une période de temps plus longue afin de conserver la température actuelle.

La température du congélateur est très basse alors que celle du réfrigérateur est correcte.

- La température du congélateur est réglée à une température très basse. >>>Réglez la température du congélateur à un degré supérieur et vérifiez.

La température du réfrigérateur est très basse alors que celle du congélateur est correcte.

- La température du réfrigérateur est réglée à une température très basse. >>>Réglez la température du réfrigérateur à un degré supérieur et vérifiez.

Les denrées conservées dans les tiroirs du compartiment de réfrigération sont congelées.

- La température du réfrigérateur est réglée à une température très basse. >>>Réglez la température du réfrigérateur à un niveau inférieur et vérifiez.

La température dans le réfrigérateur ou le congélateur est très élevée.

<ul style="list-style-type: none"> • La température du réfrigérateur est réglée à une température très basse. >>>Le réglage du compartiment réfrigérant a un effet sur la température du congélateur. Changez les températures du réfrigérateur ou du congélateur et attendez que les compartiments atteignent une température suffisante. • Les portes ont peut être été ouvertes fréquemment ou laissées entrouvertes pendant une durée prolongée. >>>N'ouvrez pas les portes fréquemment. • La porte est entrouverte. >>>Refermez complètement la porte. • Le réfrigérateur a été récemment branché ou rempli avec de la nourriture. >>>Ce phénomène est normal. Lorsque le réfrigérateur vient d'être branché ou récemment rempli avec de la nourriture, il met plus de temps à atteindre la température réglée. • D'importantes quantités de denrées chaudes ont peut être été introduites dans le réfrigérateur récemment. >>>Ne mettez pas de nourriture chaude dans le réfrigérateur.
<ul style="list-style-type: none"> • Vibrations ou bruits
<ul style="list-style-type: none"> • Le sol n'est pas plat ou stable. >>>Si le réfrigérateur balance lorsqu'il est déplacé lentement, équilibrez-le en ajustant sa base. Assurez-vous que le sol est plat et suffisamment solide pour supporter le poids et le volume de l'appareil. • Les éléments placés sur le réfrigérateur peuvent faire du bruit. >>>Enlevez les éléments du haut du réfrigérateur.
<p>Le réfrigérateur produit des bruits semblables à de l'eau qui coule, à la pulvérisation d'un liquide, etc.</p>
<ul style="list-style-type: none"> • Des écoulements de gaz et de liquides surviennent dans le réfrigérateur, de par ses principes de fonctionnement Cela est normal et n'est pas un défaut.
<p>Un sifflement sort du réfrigérateur.</p>
<ul style="list-style-type: none"> • Les ventilateurs sont utilisés pour refroidir le réfrigérateur. Cela est normal et n'est pas un défaut.
<p>Condensation sur les parois intérieures du réfrigérateur.</p>
<ul style="list-style-type: none"> • Un temps chaud et humide augmente la formation de givre et de condensation. Cela est normal et n'est pas un défaut. • Les portes ont peut être été ouvertes fréquemment ou laissées entrouvertes pendant une durée prolongée. >>>N'ouvrez pas les portes fréquemment. Refermez-les si elles sont ouvertes. • La porte est entrouverte. >>>Refermez complètement la porte.
<p>De l'humidité est présente à l'extérieur ou entre les portes du réfrigérateur.</p>
<ul style="list-style-type: none"> • Il y a peut être de l'humidité dans l'air; ceci est tout à fait normal par un temps humide. Lorsque l'humidité est faible, la condensation disparaîtra.
<p>Présence d'une mauvaise odeur dans le réfrigérateur.</p>

- Il n'y a pas de nettoyage régulier effectué. >>>Nettoyez régulièrement l'intérieur du réfrigérateur avec une éponge, de l'eau tiède ou du carbonate dissout dans l'eau.
- Certains récipients ou matériaux d'emballage peuvent provoquer ces odeurs. >>>Utilisez un autre récipient ou changez de marque de matériau d'emballage.
- Les denrées sont mises au réfrigérateur dans des récipients sans couvercle. >>>Conservez les aliments liquides dans des récipients fermés. Les micro-organismes issus de récipients non fermés peuvent dégager des odeurs désagréables.
- Enlevez les aliments périmés et pourris du réfrigérateur.

La porte ne se ferme pas.

- Des récipients empêchent la fermeture de la porte. >>>Retirez les emballages qui obstruent la porte.
- Le réfrigérateur n'est pas complètement vertical sur le sol. >>>Ajustez les pieds du réfrigérateur pour l'équilibrer.
- Le sol n'est pas plat ou solide. >>>Assurez-vous que le sol est plat et qu'il peut supporter le poids du réfrigérateur.

Les bacs à légumes sont coincés.

- Il se peut que les denrées touchent le plafond du tiroir. >>>Disposez à nouveau les denrées dans le tiroir.

Gelieve eerst deze gebruiksaanwijzing te lezen!

Beste klant,

We hopen dat uw product, dat in een moderne fabriek werd geproduceerd en onder de meest nauwkeurige procedures voor kwaliteitscontrole werd gecontroleerd, u doeltreffend van dienst zal zijn.

Wij bevelen daarom aan dat u eerst zorgvuldig de volledige gebruiksaanwijzing van uw product leest voordat u het product gaat gebruiken. Bewaar de handleiding voor toekomstige raadpleging.

Deze gebruiksaanwijzing

- Helpt u uw toestel snel en veilig te gebruiken.
- Lees de gebruiksaanwijzing voordat u het product installeert en gebruikt.
- Volg de instructies, in het bijzonder die met betrekking tot veiligheid.
- Bewaar de gebruiksaanwijzing op een eenvoudig toegankelijke plaats aangezien u deze later nodig kunt hebben.
- Daarnaast dient u ook de andere documenten die bij uw product worden geleverd te lezen. Let erop dat deze gebruiksaanwijzing ook voor andere modellen kan gelden.

Symbolen en hun beschrijvingen

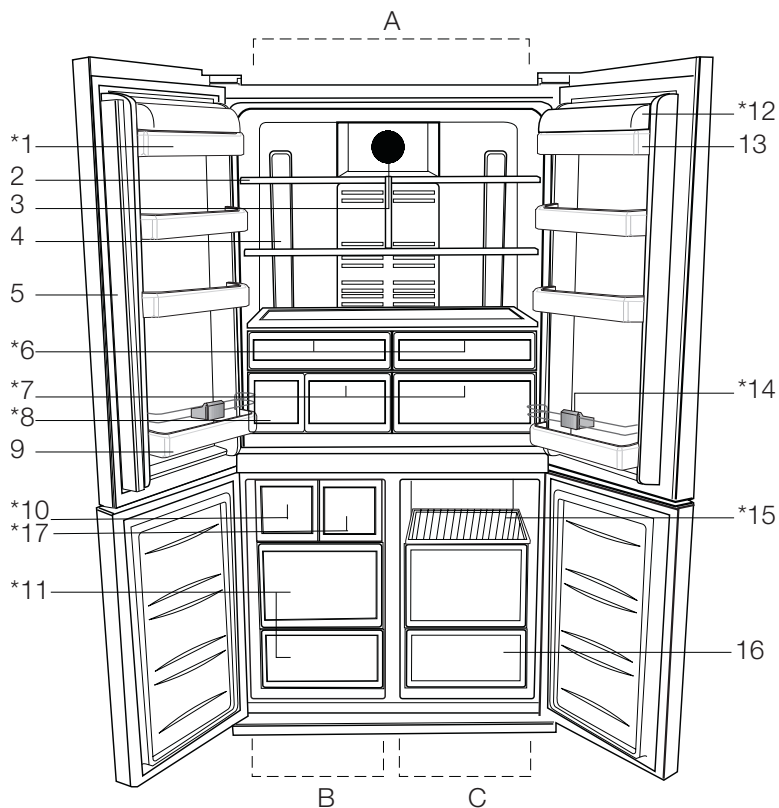
Deze instructiehandleiding bevat de volgende symbolen:

-  Belangrijke informatie of nuttige gebruikstips.
-  Waarschuwing tegen gevaarlijke omstandigheden voor leven en eigendommen.
-  Waarschuwing tegen elektrische spanning.

INHOUD

1 Uw koelkast	3	5 Gebruik van uw koelkast	16
2 Belangrijke veiligheidswaarschuwingen	4	Display	16
Bedoeld gebruik	4	Boter- en kaasvak	20
Algemene veiligheid	4	Glijdende schappen.....	21
Voor modellen met een drinkfontein...	8	Eierrek	21
Kinderbeveiliging	9	Groentelade.....	21
Voldoet aan de WEEE-richtlijn en de richtlijnen voor afvoeren van het restproduct:	9	Koelergedeelte	21
Voldoet aan RoHS-richtlijn:	9	Flexi Zone-bewaarvak	22
HC-waarschuwing	9	Draaiend Middengedeelte	22
Aanwijzingen ter besparing van energie	9	Blauw licht.....	22
Aanbevelingen voor het vak voor verse etenswaren.....	10	6 Onderhoud en reiniging	23
3 Installatie	11	Bescherming van de plastic oppervlakken	23
Aandachtspunten bij het opnieuw transporteren van uw koelkast	11	7 Fouten opsporen	24
Alvorens de inwerkstelling van uw koelkast.....	11		
Het vervangen van de lamp	12		
Elektrische aansluiting	12		
Afvoeren van de verpakking.....	12		
Afvoeren van uw oude koelkast	12		
Plaatsing en installatie.....	12		
Vloerafstelling	13		
De afstand tussen de bovenste deur aanpassen.....	14		
4 Voorbereiding	15		

1 Uw koelkast



A- Koelgedeelte

B- Diepvriesgedeelte

C- Flexi Zone

1- Deurvakken koelgedeelte

2- Aanpasbare kastschappen van het koelgedeelte

3- Lampkapje

4- Lamp

5- Draaiende middengedeelte

6- Koelergedeelte

7- Groentelade

8- Watertank

9- Flessenhouder

10- Icematic

11- Vakken voor bevroren voedsel

12- Deksel van boter- en kaasschap

13- Boter- en kaasschap

14- Flessenhouder

15- Bewaarvakken

16- Flexi Zone-vak

17- Lade van verse diepvriezer

*** OPTIONEEL**

i De afbeeldingen in deze gebruiksaanwijzing zijn schematisch en hoeven niet exact met uw product overeen te komen. Wanneer onderdelen niet tot het product behoren dat u hebt gekocht, zijn deze geldig voor andere modellen.

2 Belangrijke veiligheidswaarschuwingen

Gelieve de volgende informatie goed te bestuderen.

Niet-inachtneming van deze informatie kan verwondingen of materiële schade veroorzaken.

In dat geval worden alle garanties en betrouwbaarheidsengagementsen ongeldig.

Uw product heeft een levensduur van 10 jaar. Tijdens deze periode zijn de originele reserveonderdelen beschikbaar om uw product juist te laten werken.

Bedoeld gebruik

Dit product is bedoeld om te worden gebruikt:

- binnen en in gesloten omgevingen zoals huizen;
- in gesloten werkomgevingen zoals kantoren en winkels;
- in gesloten

accommodatieomgevingen zoals boerderijen, hotels, pensions.

- Het toestel mag niet buitenshuis worden gebruikt.

Algemene veiligheid

- Wanneer u het product wenst af te voeren, raden wij u aan de bevoegde onderhoudsdienst te raadplegen om de benodigde informatie en bevoegde instanties te leren kennen.
- Raadpleeg uw bevoegde onderhoudsdienst voor alle vragen en problemen met betrekking tot de koelkast. Voer geen ingrepen aan de koelkast uit en laat dit ook niet door iemand anders doen zonder de bevoegde onderhoudsdienst op de hoogte te stellen.
- Voor producten met een diepvriesvak; Eet geen ijs of ijsblokjes meteen nadat u deze uit het diepvriesvak heeft gehaald. (Dit kan bevriezing in uw mond veroorzaken.)

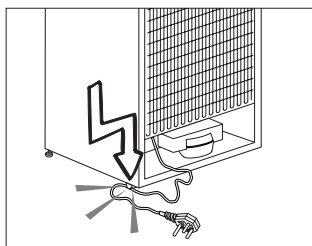
- Voor producten met een diepvriesvak; Plaats geen flessen of blikjes met vloeibare dranken in het diepvriesvak Deze zouden kunnen barsten.
- Raak ingevroren levensmiddelen niet met de hand aan; deze kunnen aan uw hand vastplakken.
- Verwijder de stekker uit uw koelkast voor u deze reinigt of ontdooit.
- Bij het schoonmaken en ontdooien van de koelkast mogen geen stoom en stoomreinigers gebruikt worden. De stoom kan in contact komen met de elektrische onderdelen en kortsluiting of een elektrische schok veroorzaken.
- Gebruik geen onderdelen van uw koelkast zoals de deur als steun of opstapje.
- Gebruik geen elektrische apparaten binnen in de koelkast.
- Beschadig de onderdelen, waar de koelvloeistof circuleert, niet door boor- of snijdgereedschap. De koelvloeistof kan naar buiten geblazen worden wanneer de gasleidingen van de verdamper, leidingverlengingen of oppervlaktecoatings worden doorboord en dit kan huidirritatie en oogletsel veroorzaken.
- Dek of blokkeer de ventilatieopeningen van uw koelkast met geen enkel materiaal.
- Elektrische toestellen mogen enkel door bevoegde personen worden hersteld. Reparaties die door onbevoegde personen worden uitgevoerd kunnen een risico voor de gebruiker opleveren.
- Sluit in geval van storing of tijdens onderhouds- of reparatiewerken de stroomtoevoer van de koelkast af door de zekering eruit te draaien of de stekker van het apparaat eruit te trekken.
- Bij het uittrekken van de stekker deze niet aan de kabel uittrekken.

- Plaats alcoholische dranken goed afgesloten en verticaal.
- Bewaar nooit spuitbussen met een ontvlambare of explosieve inhoud in de koelkast.
- Gebruik geen andere mechanische gereedschappen of andere middelen om het ontdooiproces te versnellen dan deze aangeraden door de fabrikant.
- Dit product is niet bestemd voor gebruik door personen met een fysieke, zintuiglijke of mentale stoornis of ongeschoolde of onervaren mensen (inclusief kinderen) tenzij deze worden bijgestaan door een persoon die verantwoordelijk is voor hun veiligheid of die hen dienovereenkomstig instructies geeft bij het gebruik van het product
- Gebruik geen beschadigde koelkast. Neem contact op met de dealer als u vragen heeft.
- Elektrische veiligheid van uw koelkast wordt alleen gegarandeerd wanneer het aardingssysteem in uw huis aan de normen voldoet.
- Blootstelling van het product aan regen, sneeuw, zon en wind is gevaarlijk met betrekking tot de elektrische veiligheid.
- Neem contact op met een bevoegde dienst wanneer de stroomkabel beschadigd is om zo gevaar te voorkomen.
- Steek tijdens installatie nooit de stekker van de koelkast in de wandcontactdoos. Er bestaat een kans op overlijden of serieus letsel.
- Deze koelkast is enkel bestemd voor het bewaren van voedsel. Hij mag niet voor andere doeleinden worden gebruikt.
- Het label met technische specificaties bevindt

zich aan de linkerwand binnenin de koelkast.

- Sluit je koelkast nooit aan op energiebesparende systemen; deze kunnen de koelkast beschadigen.
- Als er zich een blauwe lamp in uw koelkast bevindt, kijk hier dan niet voor een lange tijd in met het blote oog of met optische hulpmiddelen. Wacht minstens 5 minuten met het inschakelen van de koelkast na stroomuitval bij manueel bediende koelkasten.
- Deze gebruikershandleiding moet aan de nieuwe eigenaar van het toestel gegeven worden wanneer het toestel doorgegeven wordt.
- Vermijd schade aan de stroomkabel bij transport van de koelkasten. De kabel plooiën kan vuur veroorzaken. Plaats geen zware voorwerpen op de stroomkabel.
- Raak de stekker niet aan met natte handen

wanneer deze in het stopcontact wordt geplaatst.



- Plaats de stekker van de koelkast niet in het stopcontact als dit stopcontact los is.
- Er mag om veiligheidsredenen geen water rechtstreeks op de binnen- of buitendelen van het toestel gesproeid worden.
- Sproei geen stoffen met ontvlambare gassen zoals propaangas dichtbij de koelkast om gevaar op vuur en ontploffing te voorkomen.
- Plaats geen containers gevuld met water op de koelkast; dit kan bij morsen elektrische schokken of vuur veroorzaken.

- Laad de koelkast niet te vol met voedsel. Indien de koelkast overladen is, kan voedsel naar beneden vallen bij het openen en u kwetsen of de koelkast beschadigen.
 - Plaats geen objecten op de koelkast; deze kunnen naar beneden vallen wanneer u de deur open of dicht doet.
 - Producten die een nauwkeurige temperatuurregeling nodig hebben (vaccins, hittegevoelige medicatie, wetenschappelijke materialen, enz.) mogen niet in koelkast bewaard worden.
 - De koelkast moet worden losgekoppeld indien deze langdurig niet wordt gebruikt. Een mogelijk probleem met de stroomkabel kan vuur veroorzaken.
 - Het uiteinde van de stekker moet regelmatig worden gereinigd met een droge doek, anders kan deze brand veroorzaken.
 - De koelkast kan bewegen als de stelvoetjes niet juist op de vloer worden vastgezet. De stelvoetjes juist vastzetten op de vloer kan voorkomen dat de koelkast beweegt.
 - Hef de koelkast niet aan het handvat bij verplaatsing. Anders breekt het.
 - Als u het product naast een andere koelkast of diepvriezer plaatst, moet de afstand hiertussen minstens 8 cm zijn. Anders kunnen aaneensluitende zijwanden nat worden.
- Voor modellen met een drinkfontein**
- Om het watercircuit van de koelkast soepel te laten werken, moet de druk in de waterleiding zich tussen 1-8 bars bevinden. In geval van een druk in de waterleiding van meer dan 5 bars moet een drukregelaar worden gebruikt. Als de druk van de druk in de waterleiding hoger is

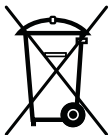
dan 8 bar, moet het watercircuit van de koelkast niet op de waterleiding worden aangesloten. Als u niet weet hoe u de druk in de waterleiding kunt meten, zoek dan professionele hulp.

- Gebruik enkel drinkwater.

Kinderbeveiliging

- Indien de deur een slot heeft, moet de sleutel buiten het bereik van kinderen worden gehouden.
- Kinderen moeten onder toezicht staan om te voorkomen dat ze met het product knoeien.

Voldoet aan de WEEE-richtlijn en de richtlijnen voor afvoeren van het restproduct:



Dit product voldoet aan de EU-richtlijn WEEE (2012/19/EU). Dit product is voorzien van een classificatiesymbool voor afvalsortering van elektrische en elektronische apparatuur (WEEE).

Dit product werd vervaardigd uit onderdelen en materialen van hoge kwaliteit die hergebruikt kunnen worden en geschikt zijn voor recycling. Gooi het restproduct aan het einde van zijn levensduur niet weg bij normaal huishoudelijk of ander afval. Breng het naar het verzamelpunt voor recycling van elektrische en elektronische apparatuur. Raadpleeg uw plaatselijke autoriteiten om

te weten waar u deze verzamelpunten aantreft.

Voldoet aan RoHS-richtlijn:

Het door u aangekochte product voldoet aan de EU-richtlijn RoHS (2011/65/EU). Het bevat geen schadelijke en verboden materialen die in deze richtlijn zijn opgenomen.

HC-waarschuwing

Als het koelsysteem van uw product R600a bevat:

Dit gas is ontvlambaar. Zorg daarom tijdens gebruik en transport dat het koelsysteem en de leidingen niet beschadigd raken. In het geval van schade: houd uw product weg van mogelijke ontstekingsbronnen die kunnen veroorzaken dat het product vuur vat en ventileer de ruimte waarin de unit is geplaatst.

Negeer deze waarschuwing als het koelsysteem van uw product R134a bevat.

Het type gas dat in dit product wordt gebruikt staat vermeld op de type-etiket aan de linkerwand binnenin de koelkast. Gooi het product nooit in vuur voor verwijdering.

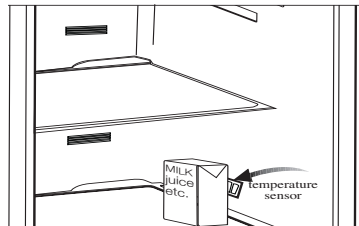
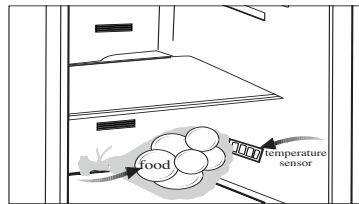
Aanwijzingen ter besparing van energie

- Houd de deuren van uw koelkast niet lang open.
- Plaats geen warme levensmiddelen of dranken in de koelkast.
- Overlaad de koelkast niet zodat luchtcirculatie aan de binnenzijde niet geblokkeerd wordt.
- Plaats de koelkast niet in direct zonlicht of naast warmteafgevend apparaten zoals een oven, vaatwasser of radiator. Houd uw koelkast minstens 30 cm verwijderd van warmteafgevend bronnen en minstens 5 cm van elektrische ovens.
- Bewaar uw levensmiddelen in gesloten bakjes.

- Voor producten met een diepvriesvak; U kunt een maximale hoeveelheid voedsel in de diepvries bewaren wanneer u de schappen of lade uit de diepvries verwijdert. De waarde voor energieconsumptie van uw diepvries werd vastgesteld door verwijdering van de diepvries schappen of laden en onder de maximum hoeveelheid. Er bestaat geen risico bij het gebruik van een schap of lade volgens de vorm en grootte van het in te vriezen voedsel.
- Bevroren voedsel in het koelgedeelte ontdooien laat toe om energie te besparen en behoudt de voedselkwaliteit.

Aanbevelingen voor het vak voor verse etenswaren OPTIONEEL

- Zorg ervoor dat de temperatuursensor in het vak voor verse etenswaren niet in contact komt met etenswaren. Om het vak op de ideale bewaartemperatuur te behouden mag de sensor niet bedekt zijn met etenswaren.
- Plaats geen warme etenswaren in uw apparaat.



3 Installatie

⚠ De fabrikant kan niet aansprakelijk worden gesteld indien de informatie van deze gebruiksaanwijzing niet in acht wordt genomen.

Aandachtspunten bij het opnieuw transporteren van uw koelkast

1. Voor transport dient de koelkast leeg en schoon te zijn.
2. In verband met schokken moeten de schappen, accessoires, groentelade enz. in uw koelkast met plakband vastgezet worden voordat de koelkast opnieuw wordt verpakt.
3. Verpakking moet worden vastgebonden met dikke tape en sterke touwen en de transportregels, gedrukt op de verpakking, moeten opgevolgd worden.

Vergeet niet...

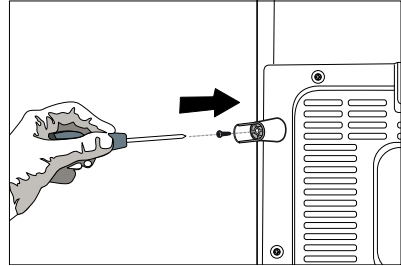
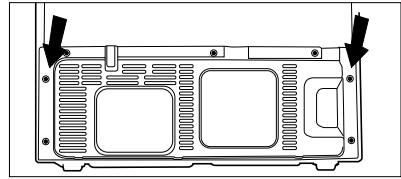
Ieder gerecycled materiaal is een essentiële bron voor de natuur en onze nationale bronnen.

Indien u een bijdrage wilt leveren aan recycling van verpakkingsmateriaal, kunt u meer informatie krijgen bij de milieuinstanties of plaatselijke autoriteiten.

Alvorens de inwerkstelling van uw koelkast

Alvorens u uw koelkast gaat gebruiken, controleer of:

1. De binnenzijde van de koelkast schoon is en de luchtcirculatie aan de achterzijde vrij kan plaatsvinden?
2. De 2 kunststof wiggen op de achterkant van de ventilatie plaatsen zoals in de volgende afbeelding weergegeven. Schroef de bestaande los en gebruik de schroeven, geleverd in dezelfde zak wiggen. Kunststof wiggen zullen de vereiste afstand geven tussen uw koelkast en de muur om luchtcirculatie mogelijk te maken.



3. Maak de binnenkant van de koelkast proper, zoals aanbevolen in het hoofdstuk "Onderhoud en reiniging".
4. Steek de stekker van de koelkast in het stopcontact. Wanneer de deur wordt geopend, zal het binnenlichtje aangaan.
5. U zult een geluid horen wanneer de compressor opstart. De vloeistof en de gassen die zich in het koelsysteem bevinden, zouden ook wat lawaai kunnen veroorzaken zelfs wanneer de compressor niet werkt. Dit is normaal.
6. De buitenkant van de koelkast kunnen warm aanvoelen. Dit is normaal. Deze oppervlakken zijn bedoeld om warm te worden om condensvorming te voorkomen.

Elektrische aansluiting

Sluit uw koelkast aan in een geaard stopcontact, beschermd door een zekering, met de juiste capaciteit.

Belangrijk:

- De aansluiting moet in naleving zijn met nationale voorschriften.
 - De stekker van de stroomkabel moet na installatie eenvoudig bereikbaar zijn.
 - De spanning en de toegestane zekeringsbescherming zijn gespecificeerd in het deel "Technische specificaties".
 - De gespecificeerde spanning moet gelijk zijn aan uw netspanning.
 - Verlengkabels en meerwegstekkers mogen voor aansluiting niet worden gebruikt.
- ⚠ Een beschadigde stroomkabel moet door een gekwalificeerd elektricien worden vervangen.
- ⚠ Het toestel mag niet in werking worden gesteld voordat het is hersteld! Gevaar op een elektrische schok!

Afvoeren van de verpakking

De verpakkingsmaterialen kunnen gevaarlijk zijn voor kinderen. Houd het verpakkingsmateriaal buiten bereik van kinderen of voer deze af conform afvalinstructies. Gooi het materiaal niet weg bij het normale huishoudelijk afval.

De verpakking van uw koelkast is vervaardigd uit herbruikbare materialen.

Afvoeren van uw oude koelkast

Voer uw oude machine af zonder het milieu op enige wijze te schaden.

- U kunt uw bevoegde dealer of het afvalcentrum van uw gemeente raadplegen over het afvoeren van uw koelkast.

Voordat u uw koelkast afvoert, snijd de elektrische stekker af. Indien het apparaat is uitgevoerd met deursluitingen, dit slot dan onbruikbaar maken om kinderen tegen gevaar te beschermen.

Plaatsing en installatie

Voorzichtig: Steek tijdens installatie nooit de stekker van de koelkast in de wandcontactdoos. Er bestaat een kans op overlijden of serieus letsel.

Als de toegangsdeur van de kamer waarin de koelkast wordt geïnstalleerd niet breed genoeg is voor de koelkast om erdoor te passen, bel dan de bevoegde dienst zodat deze de deuren van uw koelkast kan verwijderen en de koelkast zijdelings door de deur kan.

Het vervangen van de lamp

Om de lamp/led voor de binnenverlichting van uw koelkast te vervangen, bel uw bevoegde onderhoudsdienst.

De lamp of lampen voorzien in dit apparaat mogen niet worden gebruikt voor de verlichting van huishoudelijke ruimten. Het beoogde gebruik van deze lamp is de gebruiker te helpen etenswaren op veilige en comfortabele wijze in de koelkast/diepvriezer te plaatsen.

1. Installeer uw koelkast op een plaats waar ze gemakkelijk kan worden gebruikt.
2. Houd uw koelkast uit de buurt van warmtebronnen, vochtige plaatsen en direct zonlicht.
3. Er moet geschikte luchtventilatie rond uw koelkast zijn om een efficiënte werking te verkrijgen.

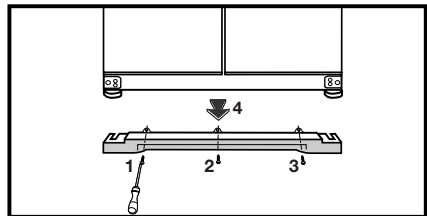
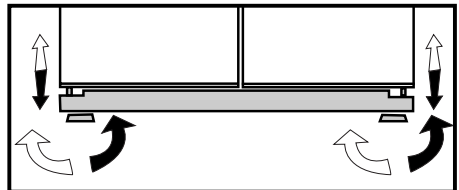
Als de koelkast in een uitsparing in de muur wordt geplaatst, moet er minstens 5 cm afstand zijn ten opzichte van het plafond en minstens 5 cm ten opzichte van de muur.

Als de vloer met een tapijt bedekt is, moet uw product op 2,5 cm van de vloer staan.

4. Plaats uw koelkast op een vlak vloeroppervlak om schokken te vermijden.
5. Plaats uw koelkast niet in omgevingstemperaturen onder -5 °C.

Vloerafstelling

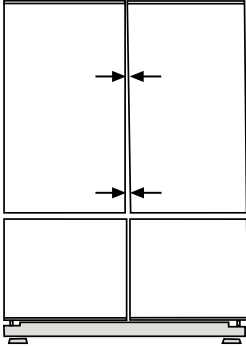
Wanneer uw koelkast niet waterpas staat; U kan de ventilatiekap verwijderen door de schroeven los te maken zoals wordt aangetoond in de afbeelding voor de procedure. U kunt uw koelkast waterpas stellen door aan de stelvoetjes te draaien zoals getoond in de afbeelding. De hoek van het stelvoetje wordt verlaagd wanneer u in de richting van de zwarte pijl draait en verhoogd wanneer u in de tegenovergestelde richting draait. Wanneer iemand u hierbij helpt door de koelkast lichtjes op te tillen vereenvoudigt dit het proces.



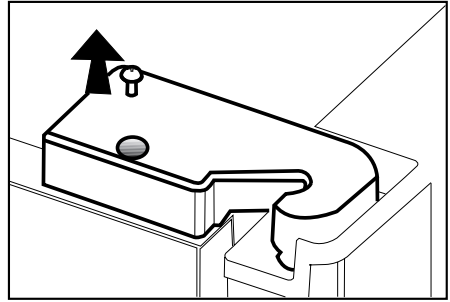
2. Nadat het balansprobleem is verholpen, installeert u de ventilatiekap terug en maakt u de schroeven vast.

3. Verwijder de schroeven van de onderste ventilatiekap met een schroevendraaier van Philips.

De afstand tussen de bovenste deur aanpassen

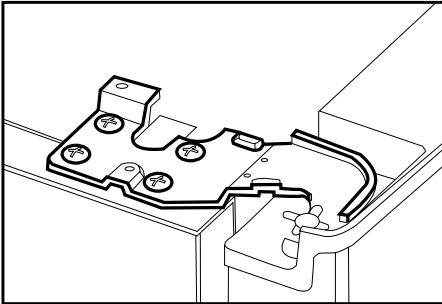


- U kunt de afstand tussen de deuren van het koelgedeelte aanpassen zoals weergegeven in de afbeeldingen.

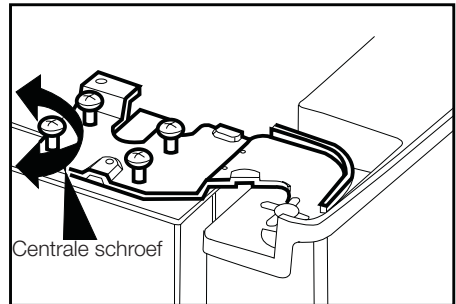


De deurschappen moeten leeg zijn als u de deurhoogte aanpast.

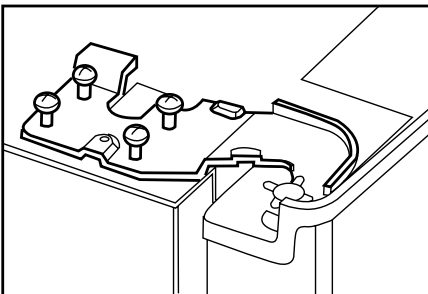
- Verwijder met een schroevendraaier de schroef van het bovenste scharnierdeksel van de deur die u wilt aanpassen.



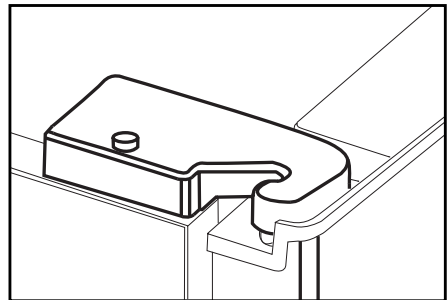
- Pas de deur desgewenst correct aan door de schroeven los te draaien.
- Maak de deur die u hebt aangepast vast door de schroeven aan te draaien zonder de positie van de deur te wijzigen.



Centrale schroef



- Plaats het scharnierdeksel terug en maak het vast met de schroef.



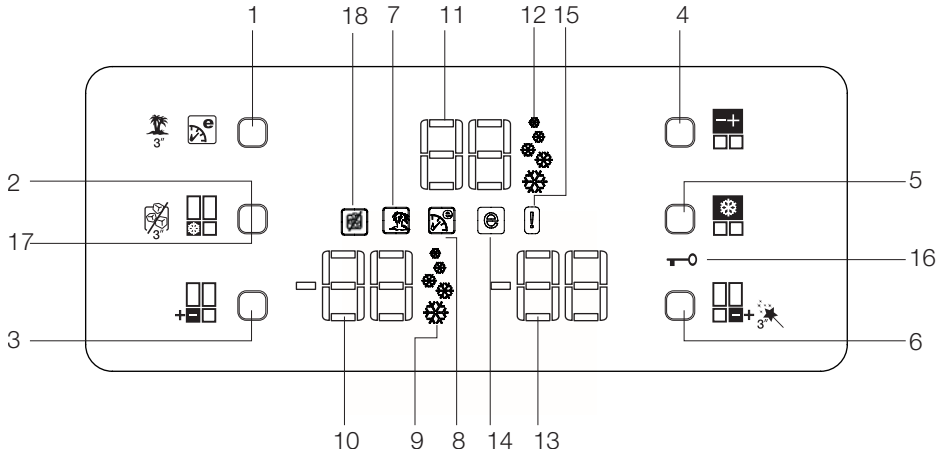
4 Voorbereiding

- Uw koelkast moet worden geïnstalleerd op minstens 30 cm afstand van warmtebronnen zoals kookplaten, centrale verwarming en kachels en op minstens 5 cm afstand van elektrische ovens. De koelkast mag niet in direct zonlicht worden geplaatst.
- De omgevingstemperatuur van de kamer waarin u de koelkast installeert dient minstens -5°C te zijn. In verband met efficiëntie wordt gebruik van uw koelkast in koudere omstandigheden niet aanbevolen.
- Controleer of de binnenzijde van uw koelkast volledig schoon is.
- Bij installatie van twee koelkasten naast elkaar, moeten de koelkasten op een afstand van minstens 2 cm van elkaar worden geplaatst.
- Wanneer u de koelkast voor de eerste keer in gebruik neemt, gelieve tijdens de eerste zes uur de volgende instructies in acht te houden.
 - De deur niet regelmatig openen.
 - Koelkast moet in bedrijf gesteld worden zonder levensmiddelen.
 - De stekker van de koelkast niet uittrekken. Indien zich een stroomstoring voordoet buiten uw macht, zie de waarschuwingen in het deel "Aanbevolen oplossingen voor problemen".
- Originele verpakking en schuimmaterialen moeten worden bewaard voor toekomstig transport of verhuizen.

5 Gebruik van uw koelkast

Display

Met dit display met drukknopbediening kan u de temperatuur regelen zonder de deur van uw koelkast openen. U hoeft enkel met de betreffende knop de temperatuur te regelen.



- | | | | |
|----|--|-----|---|
| 1. | Eco Extra/Vakantieknop | 10. | Indicator Temperatuur Diepvriesgedeelte |
| 2. | Fast-Freeze (snelvriezen)/ Ice Off-knop | 11. | Indicator Temperatuur Koelgedeelte |
| 3. | Temperatuurregelaar diepvriesgedeelte | 12. | Indicator Quick Cool-functie |
| 4. | Temperatuurregelaar koelgedeelte | 13. | Temperatuurindicator Flexi Zone-bewaarvak |
| 5. | Quick Cool-knop (snel koelen) | 14. | Indicator Besparingsmodus |
| 6. | Temperatuurregelaar Flexi Zone bewaarvak | 15. | Indicator Errorstatus |
| 7. | Indicator Vakantiefunctie | 16. | Indicator Toetsvergrendeling |
| 8. | Indicator Eco Extra-functie | 17. | Ice Off-functieknop |
| 9. | Indicator Quick Freeze-functie | 18. | Indicator Ice Off-functie |

! De afbeeldingen in deze gebruiksaanwijzing zijn schematisch en hoeven niet exact met uw product overeen te komen. Wanneer onderdelen niet tot het product behoren dat u hebt gekocht, zijn deze geldig voor andere modellen.

1. Eco Extra/Vakantieknop

Druk deze knop even in om de Eco Extra-functie te activeren. Houd deze knop 3 seconden in om de Vakantiefunctie te activeren. Duw deze knop opnieuw in om de gekozen functie te deactiveren.

2. Fast Freeze-knop

Druk deze knop even in om de Fast Freeze-functie te activeren. Duw deze knop opnieuw in om de gekozen functie te deactiveren.

3. Temperatuurregelaar diepvriesgedeelte

Druk deze knop in om de temperatuur van het diepvriesgedeelte in te stellen op respectievelijk -18, -20, -22, -24, -18. Druk deze knop in om de gewenste temperatuur voor het diepvriesgedeelte in te stellen.

4. Temperatuurregelaar koelgedeelte

Druk deze knop in om de temperatuur van het koelkastgedeelte in te stellen op respectievelijk 8, 6, 4, 2, 8. Druk deze knop in om de gewenste temperatuur voor het diepvriesgedeelte in te stellen.

5. Quick Cool-knop (snel koelen)

Druk deze knop even in om de Eco Extra-functie te activeren. Duw deze knop opnieuw in om de gekozen functie te deactiveren.

6. Temperatuurregelaar Flexi Zone bewaarvak

U kan het Flexi Zone-bewaarvak zowel als diepvriezer of koeler instellen. Houd de knop 3 seconden in om het Flexi Zone-bewaarvak als diepvriezer of koeler in te stellen. Dit gedeelte is door de fabrikant ingesteld als diepvriesgedeelte.

Als het Flexi Zone-bewaarvak als diepvriezer is ingesteld, dan zal de temperatuur van het Flexi Zone-bewaarvak veranderen in respectievelijk -18, -20, -22, -24, -18..., elke keer als u op de knop drukt. Als het Flexi Zone-bewaarvak als koeler is ingesteld, dan zal de temperatuur van het Flexi Zone-bewaarvak veranderen in respectievelijk -6, 0, 2, 4, 6, 8, 10... elke keer als u op de knop drukt.

7. Indicator Vakantiefunctie

Geeft aan dat de vakantiefunctie actief is. Als deze functie actief is, verschijnt “-” op de indicator van het koelgedeelte en zal dit gedeelte niet koelen. Andere gedeeltes zullen worden gekoeld volgens de ingestelde temperaturen.

Duw de betreffende knop opnieuw in om de gekozen functie te deactiveren.

8. Indicator Eco Extra-functie

Geeft aan dat de Eco Extra-functie actief is. Als deze functie actief is, zal uw koelkast automatisch energie-efficiënt koelen tijdens periodes waarin de koelkast het minst verbruikt. De Economy-indicator zal actief zijn als de koelkast energie-efficiënt koelt. Duw de betreffende knop opnieuw in om de gekozen functie te deactiveren.

9. Indicator Quick Freeze-functie

Geeft aan dat de Quick Freezer-functie actief is. Gebruik deze functie als u vers voedsel in het diepvriesgedeelte plaatst of als u ijs nodig heeft. Als deze functie actief is, zal uw koelkast voor 6 uur werken zonder te stoppen.

Duw de betreffende knop opnieuw in om de gekozen functie te deactiveren.

10. Indicator Temperatuur Diepvriesgedeelte

Geeft de ingestelde temperatuur voor het diepvriesgedeelte aan.

11. Indicator Temperatuur koelgedeelte

Geeft de ingestelde temperatuur voor het koelgedeelte aan.

12. Indicator Quick Cool-functie

Geeft aan dat de Quick Cool-functie actief is. Gebruik deze functie als u vers voedsel in het koelgedeelte plaatst of als u uw voedsel snel wilt koelen. Als deze functie actief is, zal uw koelkast voor 2 uur werken zonder te stoppen.

Duw de betreffende knop opnieuw in om de gekozen functie te deactiveren.

13. Temperatuurindicator Flexi Zone-bewaarvak

Geeft de temperatuur van het Flexi Zone-bewaarvak aan.

14. Indicator Besparingsmodus

Geeft aan dat de koelkast werkt in de energie-efficiënte modus. Temperatuur van diepvriesgedeelte

Deze indicator zal actief zijn als de functie is ingesteld op -18 of als de koelkast energie-efficiënt koelt d.m.v. de Eco Extra-functie.

15. Indicator Errorstatus

Als uw koelkast niet goed koelt of als er een storing aan de sensor is, zal deze indicator worden geactiveerd. Als deze indicator actief is, zal de temperatuurindicator van het diepvriesgedeelte "E" weergeven en de temperatuurindicator van het koelgedeelte zal nummers zoals "1,2,3..." weergeven. Aan de hand van deze nummers op de indicator kan het dienstpersoneel afleiden wat de fout is.

16. Indicator Toetsvergrendeling

Gebruik deze functie als u niet wilt dat de temperatuurregeling van uw koelkast verandert. Houd de Quick Cool-knop en de temperatuurregelaar van het Flexi Zone-bewaarvak tegelijkertijd 3 seconden in om deze functie te activeren.

Duw de betreffende knop opnieuw in om deze functie te deactiveren.

17. Ice Cancel-knop

Om ijsvorming te stoppen, moet u de Ice Cancel-knop 3 seconden inhouden. Als Ice Cancel wordt gekozen, wordt er geen water naar de ijsbak verzonden. Ondanks dit kan er nog wat ijs in de ijsbak zijn overgebleven, dat van daar kan zijn genomen. Om ijsvorming te herstarten, moet u de Ice Cancel-knop 3 seconden inhouden.

18. Ice Cancel - indicator

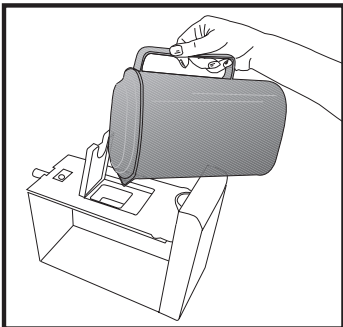
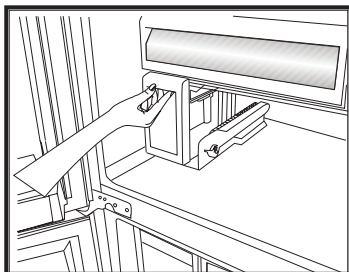
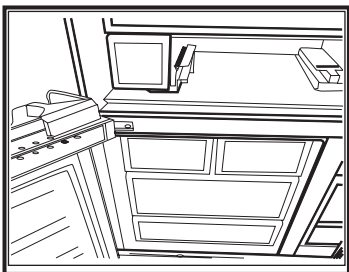
Als u geen ijs wilt van de koelkast wilt verkrijgen, moet u deze functie gebruiken. U kan deze functie gebruiken door de Ice Cancel-knop 3 seconden in te houden.

19. Deur Open Alarm

Als zowel de deur van het koelgedeelte als de deur van het **Flexi Zone-bewaark** open blijft voor minstens 1 minuut, zal het Deur Open Alarm worden geactiveerd. Druk op een knop naar keuze op de indicator of sluit de deur om het alarm uit te schakelen.

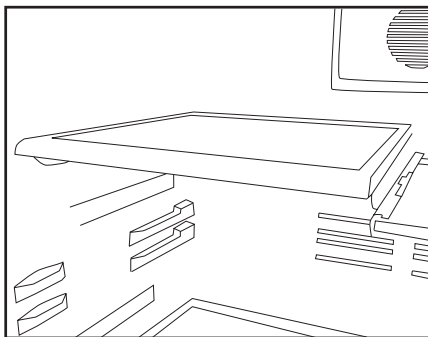
Auto Icematic

Door het Auto Icematic-systeem kan u makkelijk ijs van uw koelkast verkrijgen. Verwijder de watertank in het koelkastgedeelte, vul het met water en installeer het terug om ijs van de icematic te verkrijgen. De eerste hoeveelheid ijs zal binnen de 2 uren klaar zijn in de ijslade in het diepvriesgedeelte. Als de watertank volledig is gevuld, kan u 70 ijsblokjes verkrijgen. Vervang het water in de watertank als het langer als 2-3 weken in de watertank zit.



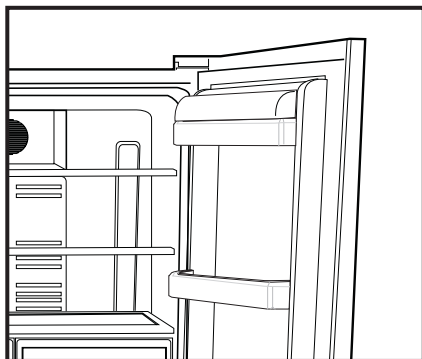
Glijdende schappen met hangers aan de achterkant

Glijdende schappen met hangers aan de achterkant kunnen naar achter en naar voor worden bewogen. Hun hoogte kan ook worden aangepast door ze te verwijderen en in een lagere of hogere positie te installeren. Til de schap lichtjes op en trek deze naar u toe om deze te verwijderen.



Boter- en kaasvak

Voedsel zoals boter, kaas en margarine worden opgeslagen in dit gedeelte dat een deksel heeft.



Eierrek

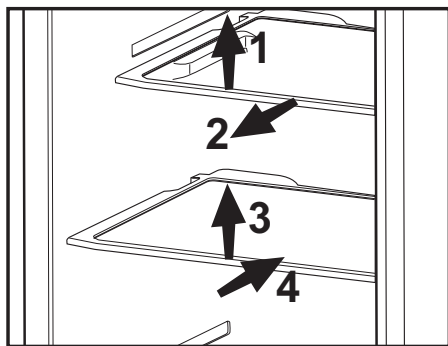
- U kunt het eierrek op het gewenste deurschap of binnenschap plaatsn.
- Plaats het eierrek nooit in het diepvriesgedeelte.

Glijdende schappen

- De glijdende schappen kunnen uitgetrokken worden door deze lichtjes aan de voorzijde naar boven te tillen en naar achter en voor te bewegen. De schappen stoppen op een bepaald punt wanneer deze naar voor worden getrokken. Zo kunt u etenswaren achterin het schap eenvoudig pakken. Wanneer het schap vervolgens lichtjes naar boven wordt getild tot het tweede stoppunt, kan het schap worden losgekoppeld.

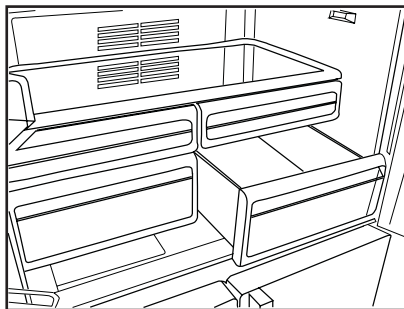
Het schap moet aan de onderkant stevig worden vastgehouden om te voorkomen dat het omkantelt. U plaatst het schap op de rails aan de binnenkant van de koelkast en plaatst het een niveau lager of hoger.

Om goed te passen, moet het schap helemaal naar achter worden gedrukt.



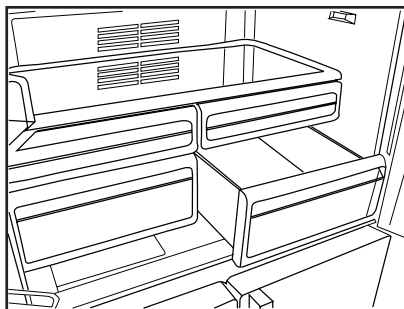
Groentelade

De groentelade van uw koelkast is speciaal bedoeld om uw groenten vers te houden, zonder dat deze vocht verliezen. Daarom is er een koude luchtcirculatie rond de groentelade in het algemeen.



Koelergedeelte

Koelergedeeltes zorgt dat voedsel klaar is voor het invriezen. U kan deze gedeeltes ook gebruiken om uw voedsel bij een temperatuur op te slaan die enkele graden kouder is dan die van het koelkastgedeelte. U kan het binnenvolume van uw koelkast vergroten door een van de bewaarvakken voor snacks te verwijderen. Om dit te doen trekt u het bewaarvak naar u toe, het bewaarvak zal tegen de stopper leunen en stoppen. Dit bewaarvak zal loskomen als u het ongeveer 1 cm omhoog tilt en het naar u toe trekt.

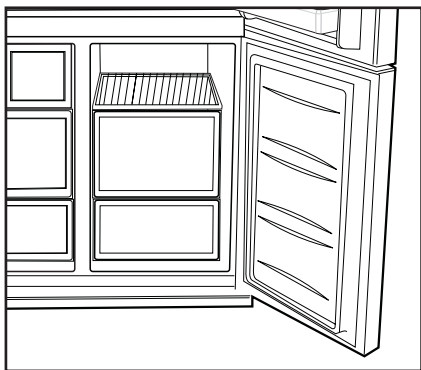


Draaiend Middengedeelte

Het draaiend middengedeelte zorgt ervoor dat de koude lucht in uw koelkast blijft. Het draaiend middengedeelte helpt bij het sluiten omdat de pakkingen op de deur op het oppervlak van het draaiend middengedeelte duwen als de deuren van het koelgedeelte zijn gesloten. Een andere reden dat uw koelkast met een draaiend middengedeelte is uitgerust, is dat deze het nettovolume van het koelgedeelte verhoogt. Standaard middengedeeltes nemen wat onbruikbare volume in de koelkast in.

Flexi Zone-bewaarvak

Het Flexi Zone-bewaarvak van uw koelkast kan in de gewenste stand gebruikt worden door de temperaturen in te stellen op koelkasttemperaturen (2/4/6/8 °C) of diepvriestemperaturen (-18/-20/-22/-24). U kunt de gewenste temperatuur in het bewaarvak behouden met de "Flexi Zone-temperatuurregelaar". De temperatuur van het Flexizone-bewaarvak kan ingesteld

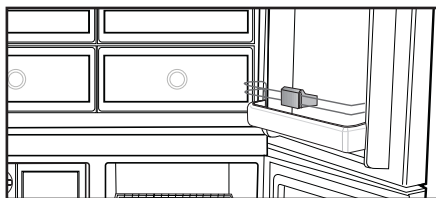


worden op 0 en 10 graden naast de temperaturen voor het koelgedeelte en op -6 graden naast de temperaturen van het diepvriesgedeelte. 0 graden wordt gebruikt om delicatessen langer te bewaren en -6 graden wordt gebruikt om vlees tot 2 weken in een makkelijk snijdbare staat te bewaren.

i De functie om te schakelen tussen koelkastvak of diepvriesvak wordt geleverd door een koelelement in het gesloten deel (Compressorvak) achter de koelkast. Tijdens de werking van dit element zijn geluiden hoorbaar die gelijken op het geluid van seconden die wegtikken in een analoge klok. Dit is normaal en geen defect.

Blauw licht

Voedingsmiddelen die worden bewaard in de groenteladen en met een blauw licht worden verlicht, blijven doorgaan met hun fotosynthese door middel van het golflengte-effect van het blauwe licht. Zo behouden zij hun versheid en neemt hun vitaminegehalte toe.



6 Onderhoud en reiniging

- ⚠ Gebruik nooit benzine, benzeen of gelijksoortige substanties voor het reinigingswerk.
- ⚠ Wij bevelen aan dat u de stekker uit het toestel trekt voordat u met reinigen begint.
- ⚠ Gebruik nooit scherpe voorwerpen, zeep, huishoudproducten, afwasmiddel of boenwas om te poetsen.
- i** Gebruik lauwwarm water om de kast van uw koelkast schoon te maken en wrijf deze droog.
- i** Gebruik een vochtige doek, uitgewrongen in een oplossing van één koffielepel natriumbicarbonaat voor 50 cl water, om de binnenkant schoon te maken en wrijf vervolgens droog.
- ⚠ Zorg ervoor dat er geen water in de lamp en andere elektrische onderdelen binnensijpelt.
- ⚠ Als uw koelkast voor een lange periode niet zal worden gebruikt, trek dan de stroomkabel uit, verwijder alle etenswaren, maak de koelkast schoon en laat de deur op een kier staan.
- i** Kijk de deurgrendels regelmatig na om u ervan te overtuigen dat ze schoon en vrij van etensresten zijn.
- ⚠ Om deurroosters te verwijderen, verwijder de inhoud en druk het deurrooster vervolgens eenvoudigweg naar boven vanaf de basis.

- ⚠ Gebruik nooit reinigingsmiddelen of water dat chloor bevat om de buitenkant en de verchroomde onderdelen van het product te reinigen. Chloor veroorzaakt corrosie op dergelijke metalen oppervlakken.

Bescherming van de plastic oppervlakken

- i** Plaats geen vloeibare olie of in olie bereide maaltijden in uw koelkast in onafgedichte bakjes. Deze kunnen de plastic oppervlakken van uw koelkast beschadigen. Mocht u olie morsen op de kunststof oppervlakken, reinig dit deel van het oppervlak dan direct met warm water en spoel af.

7 Fouten opsporen

Controleer de volgende punten voordat u de onderhoudsdienst belt. Dit kan u tijd en geld besparen. Deze lijst omvat regelmatige klachten die niet voortkomen uit defect vakmanschap of materiaalgebruik. Het is mogelijk dat bepaalde functies die hier beschreven zijn niet tot uw product behoren.

De koelkast werkt niet.
<ul style="list-style-type: none">• De stekker zit niet op de juiste manier in het stopcontact. >>>Zorg ervoor dat de stekker veilig in het stopcontact wordt geplaatst.• De zekering van het stopcontact waarop de koelkast is aangesloten of de hoofdzekering is gesprongen. >>>Controleer de zekering.
Condensvorming langs de wand van het koelgedeelte (MULTI ZONE, COOL CONTROL en FLEXI ZONE).
<ul style="list-style-type: none">• Omgeving is erg koud. >>>Plaats de koelkast niet in een ruimte waar de temperatuur lager kan worden dan 10°C.• De deur van de koelkast werd regelmatig open gemaakt. >>>Open en sluit de deur van de koelkast niet te veel.• Omgeving is erg vochtig. >>>Plaats de koelkast niet in een vochtige ruimte.• Voedsel met veel vloeistoffen wordt in open bakjes bewaard. >>>Bewaar dit soort voedsel in gesloten bakjes.• De deur van de koelkast staat op een kier. >>>Sluit de deur van de koelkast.• De thermostaat staat veel te laag. >>>Zet de thermostaat hoger.
De compressor draait niet
<ul style="list-style-type: none">• Thermische bescherming van de compressor kan springen gedurende plotselinge stroomuitval of afsluiting van de stroomtoevoer wanneer de druk van het koelmiddel in het koelsysteem van de koelkast niet in balans is. De koelkast gaat na ongeveer 6 minuten draaien. Neem contact op met de onderhoudsdienst wanneer uw koelkast na deze periode niet start.• De koelkast zit in een ontdooicyclus. >>>Dit is normaal voor een volledig automatisch ontdooiende koelkast. Ontdooicyclus vindt periodiek plaats.• De stekker van de koelkast steekt niet in het stopcontact. >>>Zorg ervoor dat de stekker in het stopcontact zit.• De temperatuuraanpassingen werden niet correct uitgevoerd. >>>Kiest een geschikte temperatuurwaarde.• Er is een stroomstoring. >>>Zodra de storing is verholpen keert de koelkast terug naar normale werking.
Het werkingsgeluid neemt toe wanneer de koelkast werkt.
<ul style="list-style-type: none">• De werking van de koelkast kan veranderen als gevolg van wijzigingen in de omgevingstemperatuur. Dit is normaal en geen defect.
De koelkast werkt frequent of gedurende lange tijd.

- Uw nieuwe product is mogelijk breder dan het vorige. Grote koelkasten werken langer.
- De omgevingstemperatuur kan hoog zijn. >>>Het is normaal dat het product langer draait in een warme omgeving.
- De stekker van de koelkast kan onlangs ingestoken zijn of de koelkast kan zijn volgeladen met etenswaren. >>>Wanneer de koelkast pas is ingeschakeld of kortgeleden werd gevuld, duurt het langer om de ingestelde temperatuur te bereiken. Dit is normaal.
- Grote hoeveelheden warme levensmiddelen kunnen recentelijk in de koelkast zijn geplaatst. >>>Plaats geen warm voedsel in de koelkast.
- Deuren werden regelmatig geopend of hebben enige tijd op een kier gestaan. >>>De warme lucht die in de koelkast is binnengekomen maakt dat de koelkast langer werkt. Open de deuren niet te dikwijls.
- De deur van het vries- of koelcompartiment is mogelijk op een kier blijven staan. >>>Controleer of de deuren goed gesloten zijn.
- De koelkast is zeer koud ingesteld. >>>Stel de koelkasttemperatuur hoger en wacht tot de temperatuur wordt bereikt.
- Deurafdichting van de koelkast of diepvriezer kan vuil, versleten, gebroken of niet goed geplaatst zijn. >>>Maak de afdichting schoon of vervang deze. Een beschadigde/ gebroken afdichting maakt dat de koelkast langer moet werken om de huidige temperatuur te handhaven.

Diepvriestemperatuur is erg laag terwijl de koelkasttemperatuur voldoende is.

- De diepvriestemperatuur is zeer koud ingesteld. >>>Stel de diepvriezer temperatuur hoger in en controleer.

Koelkasttemperatuur is erg laag terwijl de diepvriestemperatuur voldoende is.

- De temperatuur van het koelvak is zeer koud ingesteld. >>>Stel de koelkasttemperatuur hoger in en controleer.

Etenswaren die in laden van het koelgedeelte worden bewaard, bevroren.

- De temperatuur van het koelvak is zeer hoog ingesteld. >>>Stel de koelkasttemperatuur lager in en controleer.

Temperatuur in de koelkast of diepvriezer is zeer hoog.

- De temperatuur van het koelvak is zeer hoog ingesteld. >>>De temperatuur van het koelvak heeft invloed op de temperatuur van de diepvriezer. Wijzig de temperatuur van de koelkast of de diepvriezer en wacht tot de betreffende compartimenten de gewenste temperatuur bereikt.
- Deuren werden regelmatig geopend of hebben enige tijd op een kier gestaan. >>>Open de deuren niet te vaak.
- De deur staat op een kier. >>>Sluit de deur volledig.
- De koelkast is pas ingeschakeld of werd recent geladen met voedsel. >>>Dit is normaal. Wanneer de koelkast net is ingeschakeld of kortgeleden werd gevuld, duurt het langer om de ingestelde temperatuur te bereiken.
- Grote hoeveelheden warme levensmiddelen kunnen recentelijk in de koelkast zijn geplaatst. >>>Plaats geen warm voedsel in de koelkast.
- Vibratie of geluid.

<ul style="list-style-type: none"> • De vloer is niet gelijk of stabiel. >>> Indien de koelkast schommelt bij enige beweging, moet u de stelvoetjes aanpassen. Zorg dat de vloer vlak en sterk genoeg is om de koelkast te dragen. • De spullen die boven op de koelkast liggen kunnen geluid veroorzaken. >>>Verwijder deze van de bovenzijde van de koelkast.
Er komt een geluid van morsende of sprayende vloeistof uit de koelkast.
<ul style="list-style-type: none"> • Vloeistof- en gasstromen vinden plaats conform de werkingsprincipes van uw koelkast. Dit is normaal en geen defect.
Er komt een fluitend geluid van de koelkast.
<ul style="list-style-type: none"> • Er worden ventilatoren gebruikt om de koelkast te koelen. Dit is normaal en geen defect.
Condens op de binnenwanden van de koelkast.
<ul style="list-style-type: none"> • Met warm en vochtig weer neemt ijs- en condensvorming toe. Dit is normaal en geen defect. • Deuren werden regelmatig geopend of hebben enige tijd op een kier gestaan. >>>Open de deuren niet te vaak. Sluit ze wanneer ze open staan. • De deur staat op een kier. >>>Sluit de deur volledig.
Vocht aan de buitenkant van de koelkast of tussen de deuren.
<ul style="list-style-type: none"> • De lucht is mogelijk vochtig; dit is vrij normaal bij vochtig weer. Wanneer de vochtigheid minder wordt, zal de condens verdwijnen.
Slechte geur binnenin de koelkast.
<ul style="list-style-type: none"> • Ze wordt niet regelmatig schoongemaakt. >>>Maak de binnenkant van de koelkast regelmatig schoon met een spons met lauw water waarin eventueel wat carbonaat is opgelost. • Sommige bakjes of verpakkingsmaterialen kunnen de geur veroorzaken. >>>Gebruik een ander bakje of ander soort verpakkingsmateriaal. • Er is voedsel in de koelkast geplaatst in een open bakje. >>>Bewaar het voedsel altijd in een gesloten bakje. Micro-organismen die zich verspreiden vanuit containers zonder deksel kunnen onaangename geuren veroorzaken. • Neem vervallen voedingswaren en gemorste gerechten altijd meteen uit de koelkast.
De deur sluit niet.
<ul style="list-style-type: none"> • Voedselpakketjes kunnen er de reden van zijn dat de deur niet sluit. >>>Verplaats de verpakkingen die de deur belemmeren. • De koelkast staat niet volledig waterpas op de vloer. >>>Stel de stelvoetjes bij om de koelkast waterpas te zetten. • De vloer is niet gelijk of stevig. >>>Zorg dat de vloer vlak is en de koelkast kan dragen.
Groenteladen zitten vast.
<ul style="list-style-type: none"> • De levensmiddelen kunnen de bovenzijde van de lade raken. >>>Herschik de levensmiddelen in de lade.

Por favor, leia primeiro este manual!

Caro cliente,

Esperamos que o seu produto, que foi produzido em modernas instalações e testado através de rigorosos controlos de qualidade, ofereça-lhe um serviço efectivo. Para isso, recomendamos que leia cuidadosa e inteiramente o manual do seu produto antes de utilizá-lo e guarde-o para futuras consultas.



Este manual

- Ajudá-lo-á a utilizar o seu equipamento de forma rápida e segura.
- Leia o manual antes de instalar e operar o seu equipamento.
- Siga as instruções, especialmente as relativas à segurança.
- Guarde o manual num local acessível, já que poderá precisar dele mais tarde.
- Além disso, leia também os outros documentos fornecidos com o seu produto.

Observe que este manual também pode ser válido para outros modelos.

Os símbolos e as suas descrições

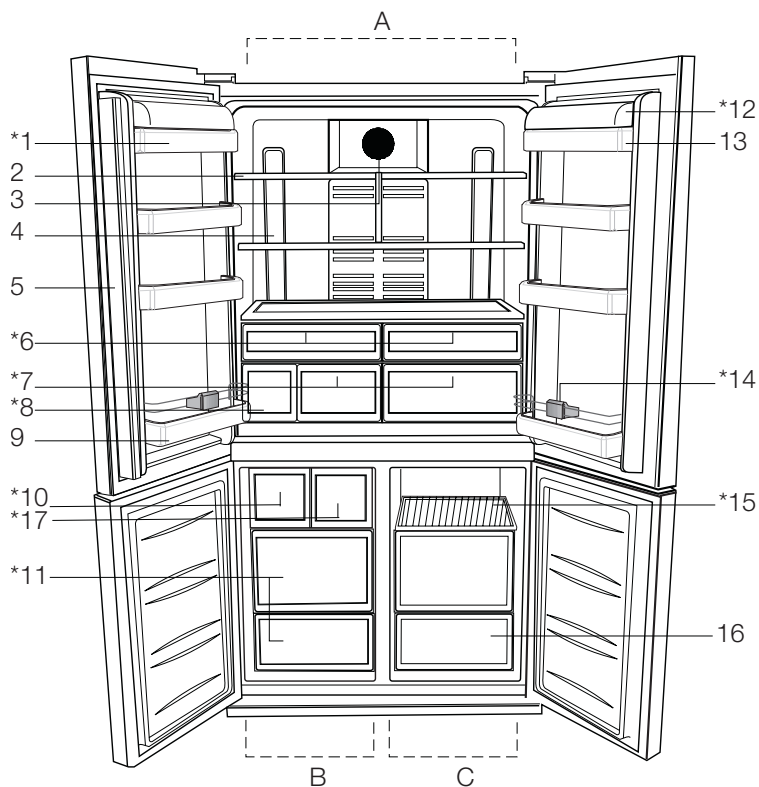
Este manual de instruções contém os seguintes símbolos:

-  Informações importantes ou dicas úteis de utilização.
-  Aviso sobre as condições de risco para a vida e a propriedade.
-  Aviso sobre a voltagem eléctrica.

CONTEÚDO

1 O seu frigorífico	3	5 Utilizar o seu frigorífico	16
2 Avisos importantes de segurança	4	Painel indicador	16
Uso pretendido.....	4	Secção de manteiga e queijo	20
Para produtos com um dispensador de água;.....	8	Tabuleiro para ovos	21
Segurança com crianças	9	Prateleiras de estrutura deslizante ...	21
Conformidade com a Directiva WEEE e Eliminação de Resíduos:	9	Gaveta para frutos e legumes	21
Cumprimento com a Directiva RoHS: 9		Compartimento de arrefecimento	21
Informação sobre a embalagem	9	Compartimento de armazenamento da Zona Flexi	22
Aviso HC	9	Secção de rotação do meio	22
O que se pode fazer para economizar energia	10	Luz azul.....	22
Recomendações para o compartimento de alimentos frescos	10	6 Manutenção e limpeza	23
		Protecção das superfícies plásticas	23
3 Instalação	11	7 Soluções recomendadas para os problemas	24
Pontos a serem considerados ao transportar novamente o seu frigorífico.....	11		
Antes de funcionar o seu frigorífico..	11		
Substituir a lâmpada de iluminação	12		
Ligação eléctrica	12		
Eliminação da embalagem.....	12		
Eliminação do seu frigorífico velho ...	12		
Colocação e instalação	13		
Ajuste do nivelamento do pavimento	13		
Ajustar o espaço entre a porta superior	14		
4 Preparação	15		

1 O seu frigorífico



- A- Compartimento do refrigerador
 - B- Compartimento do congelador
 - C- Zona Flexi
 - 1- Prateleiras da porta do compartimento do refrigerador
 - 2- Prateleiras interiores ajustáveis do compartimento do refrigerador
 - 3- Cobertura do difusor
 - 4- Lentes de iluminação
 - 5- Secção de rotação do meio
 - 6- Compartimento para arrefecimento
 - 7- Gaveta para frutos e legumes
 - 8- Reservatório de água
 - 9- Prateleira para garrafas
 - 10- Icematic
 - 11- Compartimentos para guardar alimentos congelados
 - 12- Cobertura da prateleira para manteiga e queijo
 - 13- Prateleira para manteiga e queijo
 - 14- Suporte de garrafas
 - 15- Compartimentos de armazenamento
 - 16- Compartimento de Zona Flexi
 - 17- Gaveta de congelação de frescos
- * OPCIONAL**

i As figuras que aparecem neste manual de instruções são esquemáticas e podem não corresponder exactamente ao seu produto. Se as partes referidas não estiverem incluídas no produto que adquiriu, é porque são válidas para outros modelos.

2 Avisos importantes de segurança

Por favor, reveja as informações seguintes. A não-observância destas informações pode causar ferimentos ou danos ao material. Caso contrário, todas as garantias e compromissos de fiabilidade tornar-se-ão inválidos.

A vida útil da unidade que adquiriu é de 10 anos. Este é o período para manter as peças de reposição exigidas para a unidade a funcionarem conforme descrito.

Uso pretendido

Este produto está concebido para ser usado

- áreas internas e fechadas como casas;
- em ambientes de trabalho fechados, como lojas e escritórios;
- em áreas de hospedagem fechadas, como casas rurais, hotéis, pensões.
- Este produto não deve ser usado em exteriores.

Segurança geral

- Quando quiser eliminar/ desfazer-se do produto, recomendamos que consulte o serviço de assistência e os órgãos autorizados para obter mais informações.
- Consulte o seu serviço de assistência autorizado para todas as questões e problemas relativos ao frigorífico. Não tente reparar e nem permita que ninguém o faça sem notificar os serviços de assistência autorizados.
- Para produtos com um compartimento de congelador; Não coma cones de gelados e cubos de gelo imediatamente após retirá-los do compartimento do congelador! (Isto pode provocar queimaduras de frio na sua boca).
- Para produtos com compartimento de congelador; Não coloque bebidas

líquidas enlatadas ou engarrafadas no compartimento do congelador. Caso contrário, podem rebentar.

- Não toque nos alimentos congelados; podem ficar presos à sua mão.
- Desligue o seu frigorífico da tomada antes da limpeza ou descongelação.
- O vapor e materiais de limpeza vaporizados nunca deverão ser utilizados nos processos de limpeza e descongelação do seu frigorífico. Em tais casos, o vapor poderá entrar em contacto com as partes eléctricas e provocar curto-circuito ou choque eléctrico.
- Nunca use as partes do seu frigorífico, tal como a porta, como meios de apoio ou degrau.
- Não utilize dispositivos eléctricos dentro do frigorífico.
- Não danifique as partes por onde circula

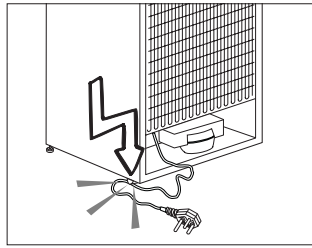
a refrigeração, com ferramentas perfurantes ou cortantes. O refrigerante que pode explodir quando

os canais de gás do evaporador, as extensões do tubo ou os revestimentos da superfície são perfurados, causa irritações na pele ou ferimentos nos olhos.

- Não cubra ou bloqueie os orifícios de ventilação do seu frigorífico com nenhum tipo de material.
- Os dispositivos eléctricos só devem ser reparados por pessoas autorizadas. As reparações realizadas por pessoas incompetentes causam riscos ao utilizador.
- Em caso de qualquer falha quer durante uma manutenção ou num trabalho de reparação, desligue a alimentação eléctrica do seu frigorífico, desligando o fusível correspondente ou retirando a ficha da tomada.

- Não puxe pelo cabo quando for retirar a ficha da tomada.
- Coloque as bebidas com teor alcoólico mais elevado bem fechadas e na vertical.
- Nunca guarde latas de aerossol inflamáveis e substâncias explosivas no frigorífico.
- Não utilize dispositivos mecânicos ou outros para acelerar o processo de descongelação. Siga apenas as instruções recomendadas pelo fabricante.
- Este produto não se destina a ser usado por pessoas com incapacidades físicas, sensoriais ou mentais ou sem conhecimento ou experiência (incluindo crianças), a menos que sejam supervisionadas por alguém responsável pela sua segurança ou que as instrua sobre o uso do produto.
- Não utilize um frigorífico avariado. Consulte o agente autorizado se tiver qualquer questão.
- A segurança eléctrica do seu frigorífico apenas poderá ser garantida se o sistema de ligação à terra da sua casa estiver em conformidade com as normas.
- A exposição do produto à chuva, neve, sol e vento é perigosa no que toca à segurança eléctrica.
- Para evitar qualquer perigo, contacte o serviço autorizado se o cabo eléctrico estiver danificado.
- Nunca ligue o frigorífico à tomada de parede durante a instalação. Caso contrário, poderá ocorrer perigo de morte ou ferimentos graves.
- Este frigorífico foi concebido unicamente para guardar alimentos. Não deverá ser utilizado para quaisquer outros fins.
- A etiqueta das especificações técnicas está localizada na parede esquerda no interior do frigorífico.

- Nunca ligue o seu frigorífico a sistemas de poupança de electricidade, pois podem danificá-lo.
- Se houver uma luz azul no frigorífico, não olhe para ela a olho nu ou com ferramentas ópticas durante muito tempo.
- Para frigoríficos controlados manualmente, aguarde pelo menos 5 minutos para voltar a ligá-lo após uma falha eléctrica.
- Este manual de instruções deverá ser entregue ao novo proprietário do produto quando for dado/vendido a outros.
- Evite causar danos ao cabo eléctrico quando transportar o frigorífico. Dobrar o cabo pode causar incêndio. Nunca pouse objectos pesados no cabo eléctrico. Não toque na ficha com as mãos molhadas quando a introduz na tomada para ligar o produto.



- Não ligue o frigorífico à tomada, se a tomada de parede estiver solta.
- Não deverá ser vaporizado directamente nas partes interiores ou interiores do produto devido a razões de segurança.
- Para evitar risco de incêndio e explosão, não vaporize substâncias que contenham gases inflamáveis, tais como gás propano, etc., próximo ao frigorífico.
- Não coloque recipientes que contenham água sobre o topo do frigorífico, visto que tal poderá resultar em choque eléctrico ou incêndio.
- Não sobrecarregue o frigorífico com excesso de alimentos. Se sobrecarregado, os alimentos podem cair

- o frigorífico ao abrir a porta. Nunca coloque objectos no topo do frigorífico, visto que estes podem cair quando se abre ou fecha a porta do frigorífico.
- Como precisam de um controlo de temperatura exacta, as vacinas, medicamentos sensíveis ao aquecimento, materiais científicos, etc., não deverão ser guardados no frigorífico.
 - Se não for utilizado por um longo tempo, o frigorífico deve ser desligado da tomada. Qualquer problema possível no cabo eléctrico poderá resultar em incêndio.
 - A extremidade da ficha eléctrica deverá ser limpa regularmente, caso contrário, poderá provocar incêndio.
 - A extremidade da ficha eléctrica deverá ser limpa regularmente com um pano seco; caso contrário, poderá provocar incêndio.
- O frigorífico pode mover-se se os pés não estiverem devidamente fixados ao piso. O ajuste seguro e apropriado dos pés ao piso pode impedir o frigorífico se mova.
 - Ao transportar o frigorífico, não segure pelo puxador da porta. Caso contrário, pode quebrar.
 - Se posicionar o seu frigorífico próximo de outro frigorífico ou arca frigorífica, a distância entre os dispositivos deve ser de pelo menos 8 cm. Caso contrário, as paredes laterais adjacentes podem humedecer.
- Para produtos com um dispensador de água;**
- Para fazer funcionar suavemente o circuito de água do frigorífico, a pressão do abastecimento de água deve ser entre 1-8 bar. Para condições em que a pressão do abastecimento de água excede 5 bar

deve ser utilizado um regulador de pressão. Se a pressão do abastecimento de água exceder 8 bar então o circuito de água do frigorífico não deve ser ligado ao abastecimento de água. Se não tiver conhecimento sobre como medir a pressão do abastecimento de água, por favor procure ajuda profissional.

- Use apenas água potável.

Segurança com crianças

- Se a porta possuir uma fechadura, a chave deverá ser mantida afastada do alcance das crianças.
- As crianças devem ser vigiadas para impedir que brinquem com o produto.

Conformidade com a Directiva WEEE e Eliminação de Resíduos:

Este produto está em conformidade com a Directiva WEEE da (2012/19/EU). Este produto porta um símbolo de classificação para



resíduos de equipamentos eléctricos e electrónicos (WEEE). Este produto foi fabricado com materiais e peças de alta qualidade, que podem ser reutilizados e reciclados. No fim da sua vida útil, não elimine o resíduo com o lixo doméstico normal ou outro lixo. Leve-o a um centro de recolha para reciclagem de equipamentos eléctricos e electrónicos. Consulte as autoridades locais para se informar sobre estes centros de recolha.

Cumprimento com a Directiva RoHS:

O produto que adquiriu está em conformidade com a Directiva RoHS da UE (2011/65/EU). Ele não contém materiais perigosos e proibidos especificados na Directiva.

Informação sobre a embalagem

Os materiais de embalagem do produto são fabricados a partir de materiais recicláveis, de acordo com as nossas Normas Ambientais Nacionais. Não elimine os materiais de embalagem junto com o lixo doméstico ou outro tipo de lixo. Encaminhe-os a um ponto de recolha de materiais de embalagem indicado pelas autoridades locais.

Aviso HC

O sistema de arrefecimento do seu produto contém R600a:

Este gás é inflamável. Por isso, tenha cuidado em não danificar o sistema de arrefecimento e a tubagem durante o uso e transporte. No caso de algum dano, mantenha o seu produto longe de potenciais fontes de fogo que possam fazer com que o produto de incendeie e ventile o compartimento no qual a unidade está colocada.

Ignore este aviso se o sistema de arrefecimento do seu produto contiver R134a:

O tipo de gás usado no produto está indicado na placa de características localizada na parede esquerda no interior do frigorífico.

Nunca elimine o seu produto no fogo.

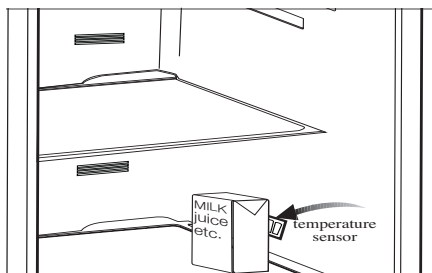
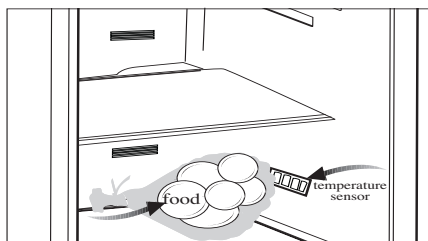
O que se pode fazer para economizar energia

- Não deixe as portas do seu frigorífico abertas durante muito tempo.
- Não coloque alimentos ou bebidas quentes no seu frigorífico.
- Não sobrecarregue o seu frigorífico para que a circulação do ar no interior não seja dificultada.
- Não instale o seu frigorífico sob a luz solar directa ou próximo de aparelhos que emitem calor tais como fornos, máquinas de lavar louça ou radiadores.
- Tenha cuidado em manter os seus alimentos em recipientes fechados.
- Para produtos com um compartimento de congelador; Pode armazenar uma quantidade máxima de alimentos no congelador se remover a prateleira ou gaveta do congelador. O valor do consumo de energia indicado no seu frigorífico foi determinado removendo a prateleira do congelador ou a gaveta e com carga máxima. Não existe qualquer risco em utilizar uma prateleira ou gaveta de acordo com as formas e tamanhos dos alimentos a serem congelados.
- Descongelar os alimentos congelados no compartimento do frigorífico poupará energia e preservará a qualidade dos alimentos.

Recomendações para o compartimento de alimentos frescos

* OPCIONAL

- Não deixe que nenhum alimento entre em contacto com o sensor de temperatura no compartimento de alimentos frescos. Para manter o compartimento de alimentos frescos na temperatura ideal de armazenamento, o sensor não pode estar obstruído por alimentos.
- Não coloque alimentos quentes no seu equipamento.



3 Instalação

⚠ Por favor, lembre-se que o fabricante não pode ser responsabilizado se não forem observadas as informações fornecidas no manual de instruções.

Pontos a serem considerados ao transportar novamente o seu frigorífico

1. O seu frigorífico deve ser esvaziado e limpo antes de ser transportado.
2. As prateleiras, acessórios, gaveta para frutas e legumes, etc. do seu frigorífico devem ser firmemente presos com fita adesiva, devido aos solavancos antes de voltar a empacotá-lo.
3. A embalagem deve ser amarrada com fitas grossas e cordas fortes e devem ser seguidas as normas de transporte indicadas na mesma.

Não se esqueça...

Todo material reciclado é uma fonte indispensável para a natureza e para os nossos recursos nacionais.

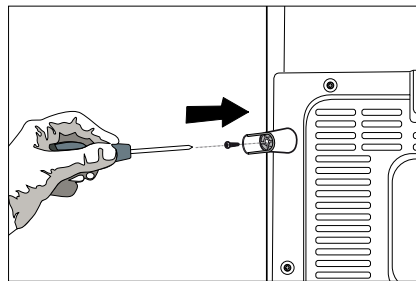
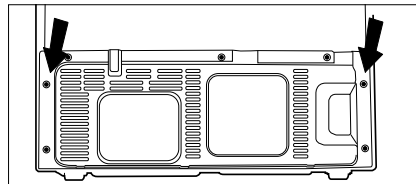
Se quiser contribuir para a reciclagem dos materiais da embalagem, pode obter mais informações nos organismos relativos ao ambiente ou junto das autoridades locais.

Antes de funcionar o seu frigorífico

Antes de iniciar a utilização do seu frigorífico, verifique o seguinte:

1. O interior do frigorífico está seco e o ar pode circular livremente na sua parte traseira?

2. Introduza os 2 calços plásticos na ventilação traseira, conforme mostrado na figura seguinte. Desaparafuse os existentes e use os parafusos fornecidos no saco dos calços. Os calços plásticos proporcionarão a distância necessária entre o seu frigorífico e a parede, permitindo assim a livre circulação do ar.



3. Limpe o interior do frigorífico conforme recomendado na secção "Manutenção e limpeza".
4. Ligue o frigorífico à tomada eléctrica. Quando a porta é aberta a respectiva luz interior liga.
5. Ouvirá um ruído quando o compressor começar a trabalhar. O líquido e os gases no interior do sistema de refrigeração também podem fazer algum ruído, mesmo que o compressor não esteja a funcionar, o que é perfeitamente normal.
6. As arestas da frente do frigorífico podem ficar quentes. Isto é normal. Estas arestas são projectadas para ficarem quentes, a fim de evitar a condensação.

Ligação eléctrica

Ligue o seu frigorífico a uma tomada de terra, que esteja protegida por um fusível com a capacidade apropriada.

Importante:

- A ligação deve estar em concordância com os regulamentos nacionais.
 - A ficha do cabo de alimentação deve estar facilmente acessível após a instalação.
 - A voltagem e o fusível de protecção permitido estão indicados na secção “Especificações técnicas”.
 - A voltagem especificada deve ser igual à sua voltagem eléctrica.
 - Não devem ser usados cabos de extensão e fichas multiusos para a ligação.
- ⚠ Um cabo de alimentação danificado deve ser substituído por um electricista qualificado.
- ⚠ O equipamento não deve ser utilizado antes de ser reparado! Há risco de choque eléctrico!

Eliminação da embalagem

Os materiais de embalagem podem ser perigosos para as crianças. Guarde os materiais da embalagem fora do alcance das crianças ou elimine-os, classificando-os de acordo com as instruções sobre o lixo. Não os elimine juntamente com o lixo doméstico normal.

A embalagem do seu frigorífico é produzida com materiais recicláveis.

Eliminação do seu frigorífico velho

Elimine a sua máquina velha sem causar qualquer perigo ao meio ambiente.

- Pode consultar o seu revendedor autorizado ou o centro de recolha do lixo do seu município a respeito da eliminação do seu frigorífico.

Antes de se desfazer do seu frigorífico, corte a ficha eléctrica e, se houver trincos nas portas, deixe-os inutilizados, a fim de proteger as crianças contra qualquer perigo.

Substituir a lâmpada de iluminação

Para substituir a lâmpada utilizada para a iluminação do seu frigorífico, por favor chame o seu Serviço de Assistência Autorizado.

A(s) lâmpada(s) usada(s) neste aparelho não é ou não são adequada(s) para a iluminação do espaço. A finalidade desta lâmpada é auxiliar o utilizador a colocar produtos alimentares no frigorífico/ congelador, de uma forma confortável e segura.

Colocação e instalação

Cuidado: Nunca ligue o frigorífico à tomada de parede durante a instalação. Caso contrário, poderá ocorrer perigo de morte ou ferimentos graves.

Se a porta de entrada do compartimento onde o frigorífico será instalado não for o suficientemente larga para que ele passe, chame o serviço de assistência autorizado para que possam remover as portas do seu frigorífico e passá-lo de forma inclinada através da porta.

1. Instale o seu frigorífico num local que permita fácil acesso.
2. Mantenha o seu frigorífico longe das fontes de calor, lugares húmidos e luz solar directa.
3. Deve existir uma circulação de ar adequada à volta do seu frigorífico, para que obtenha um funcionamento eficiente.

Se o frigorífico for colocado numa reentrância da parede, deve haver uma distância mínima de 5cm do tecto e, pelo menos, 5 cm da parede.

Se o piso for coberto por alcatifa, o seu produto deve ter uma elevação de 2,5 cm do chão.

4. Coloque o seu frigorífico num pavimento uniforme para evitar solavancos.
5. Não mantenha o seu frigorífico em temperaturas ambientes inferiores a 10°C.

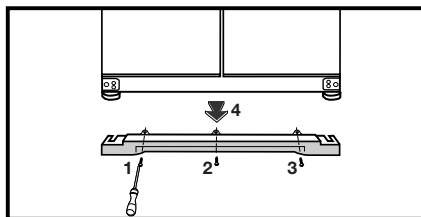
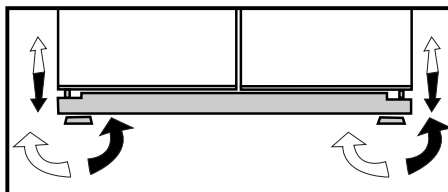
Ajuste do nivelamento do pavimento

Se o seu frigorífico estiver desnivelado;

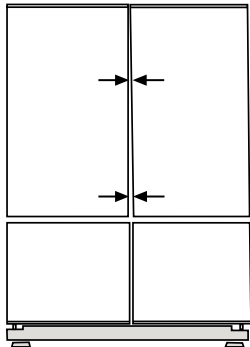
1- A tampa de ventilação é removida desapertando os seus parafusos, conforme ilustrado na figura antes do procedimento. Pode equilibrar o seu frigorífico, rodando os seus pés frontais conforme ilustrado na figura. O canto onde está o pé é baixado quando roda na direcção da seta preta e levantado quando roda na direcção oposta. Peça ajuda a alguém para erguer ligeiramente o frigorífico, facilitará este processo.

2. Após o equilíbrio ter sido solucionado, instale de volta a tampa de ventilação e aperte os parafusos.

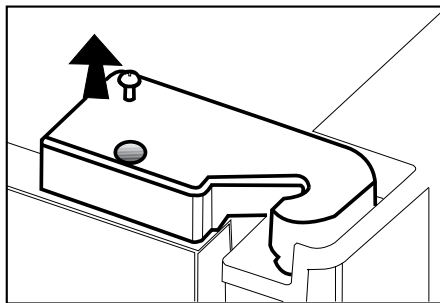
3. Remova os parafusos que fixam a tampa de ventilação usando uma chave de fendas Philips.



Ajustar o espaço entre a porta superior

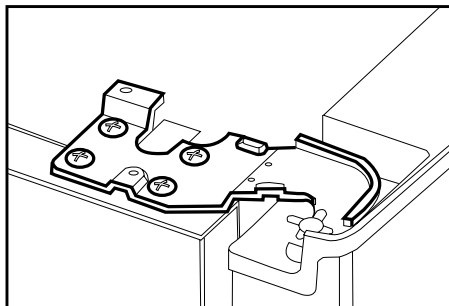


- Pode ajustar o espaço entre as portas do compartimento do refrigerador, conforme ilustrado nas figuras.

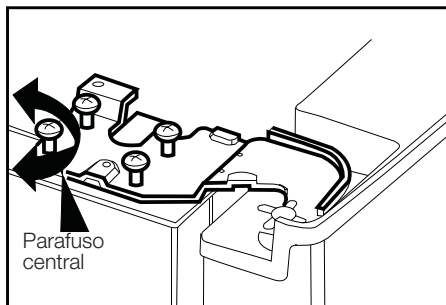


As prateleiras da porta devem estar vazias quando ajustar a altura da porta.

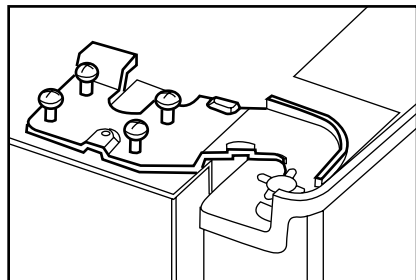
- Com uma chave de fendas, remova o parafuso da cobertura da dobradiça superior que pretende ajustar.



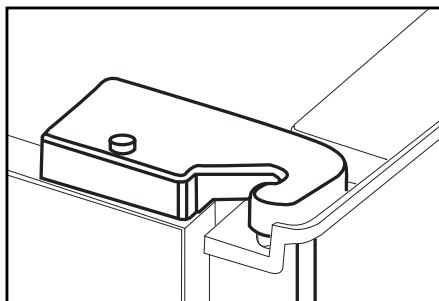
- Ajuste a porta conforme pretendido, apertando os parafusos.



Parafuso central



- Fixe a porta que ajustou apertando os parafusos, sem alterar a posição da porta.



- Recoloque a cobertura da dobradiça e fixe com o parafuso.

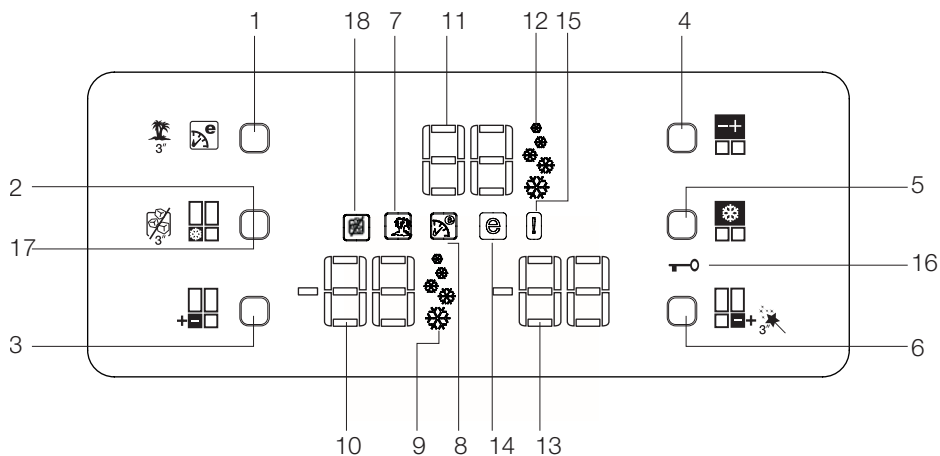
4 Preparação

- O seu frigorífico deverá ser instalado a uma distância mínima de 30 cm de quaisquer fontes de calor, tais como placas, fornos, aquecimento central e fogões e de 5 cm de fornos eléctricos e não deverá ficar exposto directamente à luz solar.
- A temperatura ambiente do compartimento onde está instalado o seu frigorífico não deve ser inferior a 10 °C. Utilizar o seu frigorífico em condições de temperatura mais baixas não é recomendado em atenção à sua eficiência.
- Certifique-se de que o interior do seu frigorífico esteja completamente limpo.
- Se forem instalados dois frigoríficos lado a lado, deverá existir uma distância mínima de 2 cm entre eles.
- Quando utilizar o seu frigorífico pela primeira vez, por favor, observe as seguintes instruções durante as seis horas iniciais.
- A porta não deverá ser aberta frequentemente.
- Deve começar a funcionar vazio, sem alimentos no interior.
- Não retire a ficha da tomada do seu frigorífico. Se houver uma falha de energia inesperada, por favor, consulte os avisos na secção "Soluções recomendadas para os problemas".
- A embalagem original e os materiais de esponja deverão ser guardados para transportes ou deslocações futuras.
- Os cestos/gavetas que são fornecidos com o compartimento para os frescos têm de ser sempre utilizados para um menor consumo de energia e para melhores condições de armazenamento.
- O contacto dos alimentos com o sensor de temperatura no compartimento do congelador pode aumentar o consumo de energia do aparelho. Assim deve ser evitado qualquer contacto com o(s) sensor(es).
- Nalguns modelos, o painel de instrumentos desliga-se automaticamente 5 minutos depois da porta ter sido fechada. Será reactivado quando a porta for aberta ou quando for premida qualquer tecla.

5 Utilizar o seu frigorífico

Painel indicador

Este painel indicador por controlo digital permite-lhe definir a temperatura, sem abrir a porta do seu frigorífico. Basta tocar no botão correspondente com o seu dedo para definir a temperatura.



1. Botão Eco Extra/Vacation
2. Botão Fast Freeze/Ice Off
3. Botão de definição da temperatura do compartimento do congelador
4. Botão de definição da temperatura do compartimento do refrigerador
5. Botão Quick Cool
6. Botão de definição da temperatura do compartimento de armazenamento Zona Flexi
7. Indicador da função Vacation (Férias)
8. Indicador da função Eco Extra
9. Indicador da função Quick Freeze (Congelação rápida)
10. Indicador da temperatura do compartimento do congelador
11. Indicador da temperatura do compartimento do refrigerador
12. Indicador da função Quick Cool (Arrefecimento rápido)
13. Indicador da temperatura do compartimento de armazenamento Zona Flexi
14. Indicador do Economy Mode (Modo economia)
15. Indicador do tipo de erro
16. Indicador do bloqueio de tecla
17. Botão da função Ice off (sem gelo)
18. Indicador da função Ice off

[i] As figuras que aparecem neste manual de instruções são esquemáticas e podem não corresponder exactamente ao seu produto. Se as partes referidas não estiverem incluídas no produto que adquiriu, é porque são válidas para outros modelos.

1. Botão Eco Extra/Vacation

Prima este botão rapidamente para activar a função Eco Extra. Mantenha este botão premido por 3 seg. para activar a função Vacation (Férias). Prima novamente este botão para desactivar a função seleccionada.

2. Botão Fast Freeze (Congelação rápida)

Prima este botão rapidamente para activar a função Fast Freeze. Prima novamente este botão para desactivar a função seleccionada.

3. Botão de definição da temperatura do compartimento do congelador

Prima este botão para definir a temperatura do compartimento do congelador para -18, -20, -22, -24, -18... respectivamente. Prima este botão para definir a temperatura pretendida para o compartimento do congelador.

4. Botão de definição da temperatura do compartimento do refrigerador

Prima este botão para definir a temperatura do compartimento do refrigerador para 8, 6, 4, 2, 8... respectivamente. Prima este botão para definir a temperatura pretendida para o compartimento do refrigerador.

5. Botão Quick Cool (Arrefecimento rápido)

Prima este botão rapidamente para activar a função Quick Cool. Prima novamente este botão para desactivar a função seleccionada.

6. Botão de definição da temperatura do compartimento de armazenamento Zona Flexi

Pode definir o compartimento de armazenamento da Zona Flexi tanto para congelação como para arrefecimento. Mantenha este botão premido por 3 seg. para definir o compartimento de armazenamento da Zona Flexi para congelação ou para arrefecimento. Este compartimento vem definido por fábrica como compartimento de congelação.

Se o compartimento de armazenamento da Zona Flexi estiver definido como para congelação, então a temperatura do compartimento para armazenamento da Zona Flexi alterará conforme -18, -20, -22, -24, -18... respectivamente, cada vez que premir este botão. Se o compartimento de armazenamento da Zona Flexi estiver definido como para arrefecimento, então a temperatura do compartimento para armazenamento da Zona Flexi alterará conforme -6, 0, 2, 4, 6, 8, 10... respectivamente, cada vez que premir este botão.

7. Indicador da função Vacation (Férias)

Indica que a função Vacation está activa. Se a função estiver activa, “- -” aparece no indicador do compartimento do refrigerador e não é realizado qualquer arrefecimento no compartimento do refrigerador. Outros componentes serão arrefecidos de acordo com a temperatura definida para eles.

Prima novamente este botão para desactivar esta função.

8. Indicador da função Eco Extra

Indica que a função Eco Extra está activa. Se esta função estiver activa, o seu frigorífico detectará automaticamente os períodos de menor utilização e o arrefecimento com eficiência energia será realizado durante estas alturas. O indicador de Economia estará activo enquanto o arrefecimento com eficiência de energia estiver a ser realizado.

Prima novamente este botão para desactivar esta função.

9. Indicador da função Quick Freeze (Congelação rápida)

Indica que a função Quick Freezer está activa. Utilize esta função quando colocar alimentos frescos no compartimento do congelador ou quando precisar de gelo. Quando esta função estiver activa, o seu frigorífico funcionará por 6 horas sem interrupção.

Prima novamente este botão para desactivar esta função.

10. Indicador da temperatura do compartimento do congelador

Indica a temperatura definida para o compartimento do congelador.

11. Indicador da temperatura do compartimento do refrigerador

Indica a temperatura definida para o compartimento do refrigerador.

12. Indicador da função Quick Cool (Arrefecimento rápido)

Indica que a função Quick Cool está activa. Utilize esta função quando colocar alimentos frescos no compartimento do refrigerador ou quando precisar de gelo. Quando esta função estiver activa, o seu frigorífico funcionará por 2 horas sem interrupção.

Prima novamente este botão para desactivar esta função.

13. Indicador da temperatura do compartimento de armazenamento Zona Flexi

Indica a temperatura definida para o compartimento de armazenamento da Zona Flexi.

14. Indicador do Economy Mode (Modo Economia)

Indica que o frigorífico está a funcionar no modo com eficiência de energia. Temperatura do compartimento do congelador

Este indicador estará activo se a função estiver definida para -18 ou se o arrefecimento com eficiência de energia estiver a ser realizado devido a função Eco-Extra.

15. Indicador do tipo de erro

Se o seu frigorífico não arrefecer adequadamente ou se houver falha no sensor, este indicador será activado. Quando este indicador estiver activo, o indicador da temperatura do compartimento do congelador exibirá "E" e o indicador da temperatura do compartimento do refrigerador exibirá números, tais como "1,2,3...". Estes números no indicador informam sobre o erro ao pessoal da assistência técnica.

16. Indicador de bloqueio de tecla

Use esta função se não quiser que a definição da temperatura do seu frigorífico seja alterada. Prima simultaneamente o botão Quick Cool e o botão de definição da temperatura do compartimento de armazenamento da Zona Flexi por 3 seg. para activar esta funcionalidade.

Prima novamente os botões correspondentes para desactivar esta função.

17. Botão de cancelamento do gelo (Ice off)

Para interromper a formação de gelo, o botão "Ice Off" (cancelamento do gelo) deve ser premido por 3 segundos. Quando o Ice off é seleccionado, não é enviada qualquer água para a caixa de gelo. Apesar disso, pode ficar depositado algum gelo na caixa de gelo, que pode ser retirado dali. Para reiniciar a formação de gelo, o botão "Ice Off" (cancelamento do gelo) deve ser premido novamente por 3 segundos.

18. Indicador de Ice Off

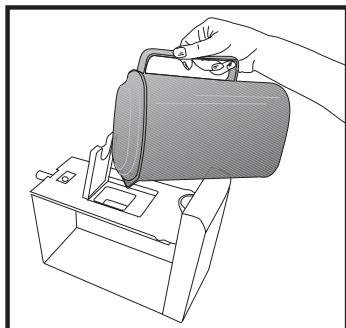
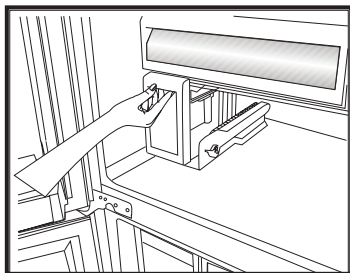
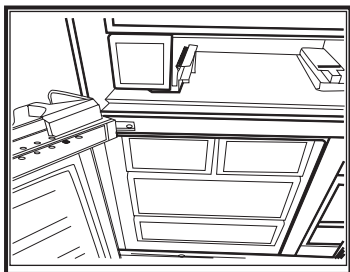
Se não quiser obter gelo a partir do seu frigorífico, precisará usar esta função. Pode usar esta função premindo o botão de cancelamento do gelo (Ice off) por 3 segundos.

Alarme da porta aberta:

Se a porta do compartimento do refrigerador ou a porta do compartimento de armazenamento da **Zona Flexi** permanecer aberta por no mínimo 1 minuto, o alarme sonoro de porta aberta será activado. Para silenciar o alarme, basta premir qualquer botão no indicador ou fechar a porta aberta.

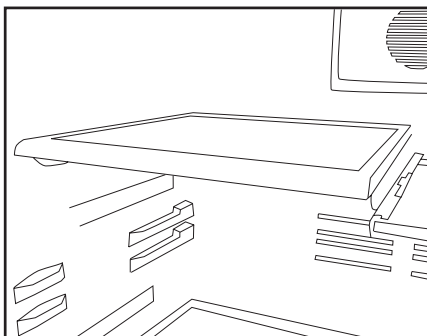
Icematic automático

O sistema Icematic automático permite-lhe obter gelo do seu frigorífico com muita facilidade. Remova o reservatório de água no compartimento do refrigerador, encha-o com água e instale-o de volta para obter gelo do Icematic. O primeiro gelo estará pronto dentro de 2 horas na gaveta para gelo localizada no compartimento do congelador. Pode obter 70 cubos de gelo se o reservatório de água estiver completamente cheio. Troque a água do reservatório se a água tiver lá permanecido por mais do que 2-3 semanas.



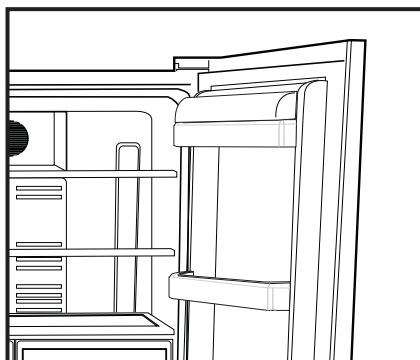
Prateleiras deslizantes da estrutura com suportes traseiros

As prateleiras deslizantes da estrutura com suportes traseiros podem ser movidas para a frente e para trás. A sua altura também pode ser ajustada, removendo-as e instalando-as numa posição superior ou inferior. Erga ligeiramente a prateleira e puxe na sua direção para a remover.



Secção de manteiga e queijo

Alimentos tais como manteiga, queijo e margarina devem ser guardados neste compartimento, já que possui tampa.



Tabuleiro para ovos

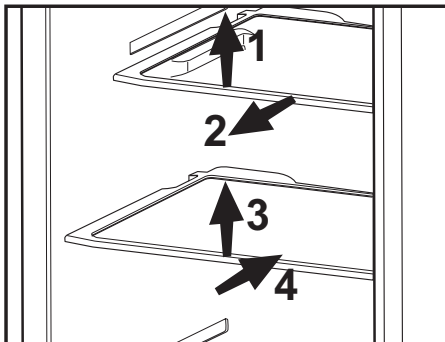
- Poderá instalar o suporte para ovos na porta que desejar ou prateleira da estrutura.
- Nunca guarde o suporte para ovos no compartimento do congelador

Prateleiras de estrutura deslizante

- As prateleiras de estrutura deslizante podem ser puxadas, levantando-se ligeiramente a parte frontal e movendo para trás e para frente. Elas atingem um ponto de paragem quando puxadas para frente para permitir que alcance os alimentos colocados no fundo da prateleira; quando são puxadas após levantar ligeiramente até o segundo ponto de paragem, a prateleira de estrutura será solta.

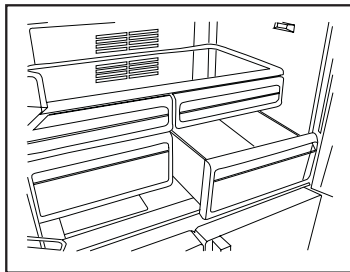
A prateleira deverá ser segurada firmemente pelo fundo, para impedir que revire. A prateleira de estrutura é colocada nas guias nas partes laterais da estrutura do frigorífico, colocando-a num nível inferior ou superior.

A prateleira de estrutura deverá ser empurrada para trás, para ficar completamente encaixada.



Gaveta para frutos e legumes

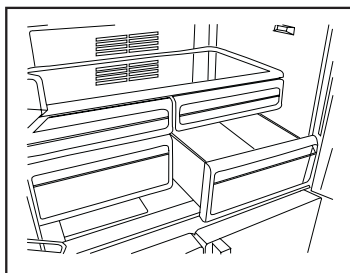
A gaveta para frutos e legumes do seu frigorífico foi especialmente projectada para guardar os seus legumes frescos sem que percam a sua humidade. Para este propósito, a circulação de ar frio ocorre por toda a gaveta.



Compartimento de arrefecimento

Os compartimentos de arrefecimento possibilitam que os alimentos arrefecidos estejam prontos para congelar. Também pode usar estes compartimentos para armazenar os seus alimentos numa temperatura de alguns graus abaixo no compartimento do refrigerador.

Pode aumentar o volume interno do seu frigorífico, removendo algum dos compartimentos para salgadinhos (snack). Para fazer isso, puxe o compartimento em direcção a si; o compartimento apoiar-se-á no retentor e parará. Este compartimento será libertado quando o levantar cerca de 1 cm e puxá-lo em direcção a si.



Secção de rotação do meio

A secção de rotação do meio está concebida para impedir que o ar frio no interior do seu frigorífico escape para fora. A secção de rotação do meio ajuda na vedação, uma vez que as juntas da porta pressionam a superfície da secção de rotação do meio, quando as portas do compartimento do refrigerador são fechadas. O motivo do seu frigorífico estar equipado com uma secção de rotação do meio é para aumentar o volume líquido do compartimento do refrigerador. As secções do meio padronizadas ocupam um volume não utilizável no frigorífico.

Compartimento de armazenamento da Zona Flexi

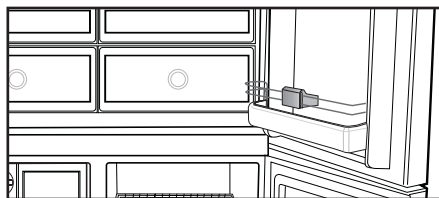
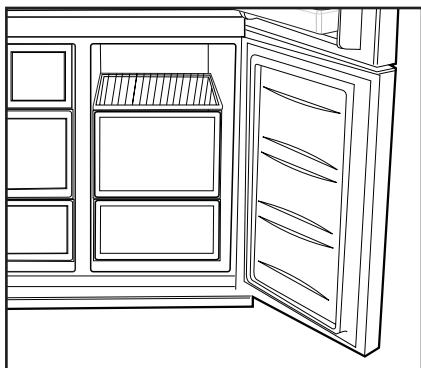
O compartimento de armazenamento da zona Flexi do seu frigorífico pode ser usado em qualquer modo pretendido, ajustando as temperaturas do refrigerador (2/4/6/8 °C) ou do congelador (-18/-20/-22/-24). Pode manter o compartimento na temperatura pretendida através do Botão de definição da temperatura do compartimento de armazenamento da Zona Flexi. A temperatura do

compartimento de armazenamento da zona Flexi pode ser definida para 0 e 10 graus além das temperaturas do compartimento do refrigerador e para -6 graus além das temperaturas do compartimento do congelador. 0 graus é usado para armazenar produtos de charcutaria por mais tempo e -6 graus é usado para conservar carnes até 2 semanas, numa condição que facilita o corte.

i A função de permutar para um compartimento do Congelador ou do Refrigerador é fornecida através do elemento de arrefecimento localizado na secção fechada (compartimento do compressor) atrás do frigorífico. Durante o funcionamento deste elemento, podem ser ouvidos sons semelhantes aos sons do correr dos segundos num relógio. Esta situação é normal e não é causa de problema.

Luz azul

Os alimentos guardados nas gavetas para frutas e legumes que são iluminados com uma luz azul, continuam a sua fotossíntese através do efeito de extensão de onda da luz azul e por isso, conservam a sua frescura e o seu conteúdo vitamínico é aumentado.



6 Manutenção e limpeza

- ⚠ Nunca use gasolina, benzeno ou substâncias semelhantes para a limpeza.
- ⚠ Recomendamos que desligue a ficha do equipamento da tomada antes da limpeza.
- ⚠ Nunca utilize na limpeza objectos abrasivos ou pontiagudos, sabões, produtos de limpeza doméstica, detergentes ou ceras brilhantadoras.
- ℹ Utilize água morna para limpar o exterior do seu frigorífico e seque-o com um pano.
- ℹ Utilize um pano humedecido numa solução composta por uma colher de chá de bicarbonato de soda dissolvido em cerca de meio litro de água para limpar o interior e depois seque-o.
- ⚠ Certifique-se de que não entra água no compartimento da lâmpada e nos outros itens eléctricos.
- ⚠ Se o seu frigorífico não for utilizado durante um longo período de tempo, remova o cabo de alimentação, retire todos os alimentos, limpe-o e deixe a porta entreaberta.
- ℹ Verifique regularmente as borrachas vedantes da porta, para se assegurar que elas estão limpas e sem restos de alimentos.
- ⚠ Para remover os suportes da porta, retire todo o seu conteúdo e, em seguida, basta empurrar cuidadosamente o seu suporte para cima a partir da base.

- ⚠ Nunca utilize agentes de limpeza ou água que contenha cloro para limpar as superfícies externas e as partes cromadas do produto. O cloro provoca a corrosão de tais superfícies metálicas.

Protecção das superfícies plásticas

- ℹ Não coloque óleos líquidos ou comidas cozinhadas no óleo no seu frigorífico em recipientes abertos, uma vez que podem danificar as superfícies plásticas do seu frigorífico. No caso de derrame ou salpico de óleo nas superfícies plásticas, limpe e enxagúe a parte correspondente da superfície com água morna.

7 Soluções recomendadas para os problemas

Por favor, reveja esta lista antes de telefonar para a assistência. Com isso, pode poupar tempo e dinheiro. Esta lista abrange as reclamações frequentes resultantes de defeitos de fabricação ou utilização do material. Algumas das funções descritas aqui podem não existir no seu produto.

O frigorífico não funciona

- O frigorífico tem a ficha eléctrica ligada correctamente à tomada? Introduza a ficha na tomada de parede.
- O fusível da tomada na qual o frigorífico está ligado ou o fusível principal não está queimado? Verifique o fusível.

Condensação na parede lateral do compartimento do refrigerador (MULTIZONE, COOL CONTROL e FLEXI ZONE).

- Condições ambientais muito frias. Abertura e fecho frequentes da porta. Condições ambientais de alta humidade. Armazenamento de alimentos que contém líquidos em recipientes abertos. A porta foi deixada entreaberta. Comute o termostato para um grau mais frio.
- Diminua o número de vezes de abertura da porta ou utilize menos frequentemente.
- Cubra os alimentos guardados em recipientes abertos com um material apropriado.
- Limpe a condensação usando um pano seco e verifique, se persistir.

O compressor não está a funcionar.

- A protecção térmica do compressor deixará de funcionar durante falhas eléctricas repentinas ou na extracção/colocação da ficha eléctrica, já que a pressão refrigerante no sistema de arrefecimento do frigorífico ainda não se encontra estabilizada. O seu frigorífico voltará a funcionar aproximadamente 6 minutos depois. Por favor, chame a assistência se o frigorífico não começar a operar no fim deste período.
- O refrigerador está no ciclo de descongelação. Isto é normal num frigorífico de descongelação totalmente automático. O ciclo de descongelação ocorre periodicamente.
- O seu frigorífico não está ligado à tomada. Certifique-se de que a ficha está correctamente ligada à tomada.
- A regulação da temperatura está feita correctamente?
- A corrente deve ser desligada.

O refrigerador está a funcionar frequentemente ou por um longo tempo.

- O seu novo produto pode ser mais largo do que o anterior. Esta situação é perfeitamente normal. Os frigoríficos grandes operam por um período maior de tempo.
- A temperatura ambiente pode estar muito elevada. Esta situação é perfeitamente normal.
- O frigorífico foi ligado à tomada há pouco tempo ou carregado com alimentos. O arrefecimento total do frigorífico pode demorar mais do que duas horas.
- Podem ter sido colocadas recentemente grandes quantidades de alimentos quentes no frigorífico. Os alimentos quentes obrigam a um funcionamento mais vigoroso do frigorífico até que alcance a temperatura segura de armazenamento.
- As portas podem estar a ser abertas frequentemente ou foram deixadas entreabertas por longo tempo. O ar quente que entrou no frigorífico faz com que o mesmo tenha que funcionar por períodos mais longos. Abra as portas com menos frequência.
- A porta do compartimento do refrigerador ou do congelador pode ter sido deixada entreaberta. Verifique se as portas estão completamente fechadas.
- O frigorífico está ajustado para uma temperatura muito baixa. Ajuste a temperatura do frigorífico para um grau mais quente e aguarde até que a temperatura seja atingida.
- O vedante da porta do refrigerador ou do congelador pode estar sujo, gasto, roto ou não ajustado correctamente. Limpe ou substitua o vedante. O vedante danificado/roto faz com que o frigorífico funcione por um período de tempo maior para que mantenha a temperatura actual.

A temperatura do congelador está muito baixa, enquanto que a temperatura do refrigerador é suficiente.

- A temperatura do congelador está ajustada para uma temperatura muito baixa. Ajuste a temperatura do congelador para um grau mais quente e verifique.

A temperatura do refrigerador está muito baixa, enquanto que a temperatura do congelador é suficiente.

- A temperatura do refrigerador pode ter sido ajustada para uma temperatura muito baixa. Ajuste a temperatura do refrigerador para um grau mais quente e verifique.

Os alimentos guardados nas gavetas do compartimento do refrigerador estão congelados.

- A temperatura do refrigerador pode ter sido ajustada para uma temperatura muito baixa. Ajuste a temperatura do refrigerador para um grau mais quente e verifique.

A temperatura no refrigerador ou no congelador é muito alta.

<ul style="list-style-type: none"> • A temperatura do refrigerador pode ter sido ajustada para um grau muito alto. O ajuste do refrigerador tem efeito na temperatura do congelador. Altere a temperatura do refrigerador ou do congelador até que a temperatura do refrigerador ou do congelador atinja um nível suficiente. • As portas podem estar a ser abertas frequentemente ou foram deixadas entreabertas por longo tempo; abra-as menos frequentemente. • A porta poderá ter sido deixada entreaberta; feche-a completamente. • Podem ter sido colocadas recentemente grandes quantidades de alimentos quentes no frigorífico. Aguarde até que o refrigerador ou o congelador atinja a temperatura desejada. • O frigorífico pode ter sido ligado à tomada há pouco tempo. O total arrefecimento do frigorífico leva tempo.
O ruído de funcionamento aumenta quando o frigorífico está a funcionar.
<ul style="list-style-type: none"> • O desempenho de funcionamento do frigorífico pode variar devido às alterações na temperatura ambiente. Esta situação é normal e não é um problema.
Vibrações ou ruído.
<ul style="list-style-type: none"> • O piso não está nivelado ou não é resistente. O frigorífico balança quando deslocado lentamente. Certifique-se de que o piso é suficientemente forte para suportar o frigorífico, e nivelado. • O ruído pode ser causado pelos itens colocados sobre o frigorífico. Os itens sobre o topo do frigorífico devem ser removidos.
Há ruídos que surgem do frigorífico como líquidos a verter ou gotejar.
<ul style="list-style-type: none"> • Os fluxos de gás e líquidos acontecem conforme os princípios de funcionamento do seu frigorífico. Esta situação é normal e não é um problema.
Há um ruído parecido com o vento a soprar.
<ul style="list-style-type: none"> • As ventoinhas são utilizadas para arrefecer o frigorífico. Esta situação é normal e não é um problema.
Condensação nas paredes internas do frigorífico.
<ul style="list-style-type: none"> • O tempo quente e húmido aumenta a formação de gelo e de condensação. Esta situação é normal e não é um problema. • As portas poderão ter sido deixadas entreabertas; certifique-se que as mesmas estão completamente fechadas. • As portas podem estar a ser abertas frequentemente ou foram deixadas entreabertas por longo tempo; abra-as menos frequentemente.
Há ocorrência de humidade no exterior do frigorífico ou entre as portas.
<ul style="list-style-type: none"> • Poderá existir humidade no ar; isto é bastante normal no tempo húmido. Quando a humidade for menor, a condensação irá desaparecer.
Maus odores dentro do frigorífico.
<ul style="list-style-type: none"> • O interior do frigorífico deve ser limpo. Limpe o interior do frigorífico com uma esponja, água morna ou água com gás. • Alguns recipientes ou materiais de embalagem podem provocar cheiros. Utilize um recipiente diferente ou um material de embalagem de marca diferente.
A porta não está fechada.

- Os pacotes de alimentos podem impedir o fecho da porta. Coloque de outra forma as embalagens que estão a obstruir a porta.
- O frigorífico não está completamente na vertical no pavimento e balanceia quando ligeiramente movido. Ajuste os parafusos de elevação.
- O piso não é sólido ou não está nivelado. Certifique-se de que o piso está nivelado e capaz de suportar o frigorífico.

As gavetas para frutos e legumes estão bloqueadas.

- Os alimentos podem estar a tocar o tecto da gaveta. Arrume novamente os alimentos na gaveta.

Free Manuals Download Website

<http://myh66.com>

<http://usermanuals.us>

<http://www.somanuals.com>

<http://www.4manuals.cc>

<http://www.manual-lib.com>

<http://www.404manual.com>

<http://www.luxmanual.com>

<http://aubethermostatmanual.com>

Golf course search by state

<http://golfingnear.com>

Email search by domain

<http://emailbydomain.com>

Auto manuals search

<http://auto.somanuals.com>

TV manuals search

<http://tv.somanuals.com>