

DN152003

Refrigerator
الثلاجة

BEKO

Please read this manual first!

Dear Customer,

We hope that your product, which has been produced in modern plants and checked under the most meticulous quality control procedures, will provide you an effective service.

For this, we recommend you to carefully read the entire manual of your product before using it and keep it at hand for future references.




This manual

- Will help you use your appliance in a fast and safe way.
- Read the manual before installing and operating your product.
- Follow the instructions, especially those for safety.
- Keep the manual in an easily accessible place as you may need it later.
- Besides, read also the other documents provided with your product.

Please note that this manual may be valid for other models as well.

Symbols and their descriptions

This instruction manual contains the following symbols:

-  Important information or useful usage tips.
-  Warning against dangerous conditions for life and property.
-  Warning against electric voltage.



This product is supplied with the selective sorting symbol for waste electrical and electronic equipment (WEEE).

This means that this product must be handled pursuant to European Directive 2002/96/EC in order to be recycled or dismantled to minimise its impact on the environment. For further information, please contact your local or regional authorities.

Electronic products not included in the selective sorting process are potentially dangerous for the environment and human health due to the presence of hazardous substances.

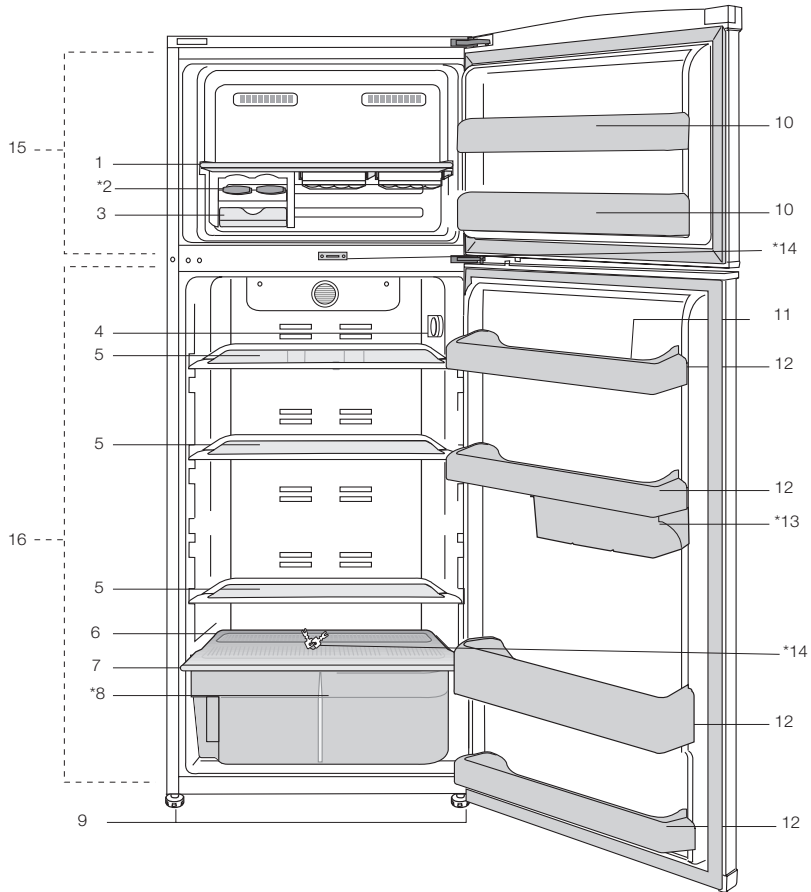


This product was manufactured using the latest technology in environmentally friendly conditions.

CONTENTS

1 Your refrigerator	3	4 Preparation	11
2 Important Safety Warnings	4	5 Using your refrigerator	12
Intended use	4	Temperature setting button	12
For products with a water dispenser; ..	6	Setting the temperature of your refrigerator	12
Child safety	6	Dual cooling system	12
HCA Warning	6	Freezing fresh food	13
Things to be done for energy saving ..	7	Recommendations for preservation of frozen food	13
Recommendations for freshfood compartment	7	Placing the food	14
3 Installation	8	Deep-freeze information	14
Points to be considered when re-transporting your refrigerator	8	Vacation Function	15
Before operating your refrigerator	8	Odour filter	15
Electric connection	8	Crisper humidity control sliders	16
Disposing of the packaging	9	Icematic and ice storage container ..	16
Disposing of your old refrigerator	9	Making ice	17
Placing and Installation	9	Rotary storage container	17
Open door warning	10	Reversing the doors	18
Changing the illumination lamp	10	6 Maintenance and cleaning	19
Adjusting the legs	10	Protection of plastic surfaces	19
Installing the lower ventilation cover ..	10	7 Recommended solutions for the problems	20

1 Your refrigerator



- | | |
|-------------------------------------|-------------------------------------|
| 1- Freezer compartment shelf | 9- Adjustable legs |
| 2- Icematic | 10- Freezer compartment door shelf |
| 3- Ice storage container | 11- Egg holders |
| 4- Temperature setting button | 12- Fridge compartment door shelves |
| 5- Adjustable glass shelves | 13- Sliding storage containers |
| 6- Crisper humidity control sliders | 14- Key |
| 7- Crisper cover | 15- Freezer compartment |
| 8- Crisper | 16- Fridge compartment |

*** OPTIONAL**

Figures that take place in this instruction manual are schematic and may not correspond exactly with your product. If the subject parts are not included in the product you have purchased, then it is valid for other models.

2 Important Safety Warnings

Please review the following information. Failure to observe this information may cause injuries or material damage. Otherwise, all warranty and reliability commitments will become invalid.

The usage life of the unit you purchased is 10 years. This is the period for keeping the spare parts required for the unit to operate as described.

Intended use

This product is intended to be used

- indoors and in closed areas such as homes;
- in closed working environments such as stores and offices;
- in closed accommodation areas such as farm houses, hotels, pensions.
- This product should not be used outdoors.

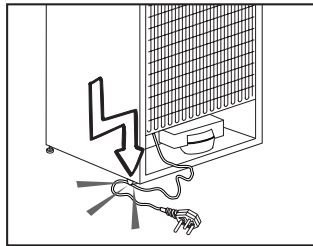
General safety

- When you want to dispose/scrapp the product, we recommend you to consult the authorized service in order to learn the required information and authorized bodies.
- Consult your authorized service for all your questions and problems related to the refrigerator. Do not intervene or let someone intervene to the refrigerator without notifying the authorised services.
- For products with a freezer compartment; Do not eat cone ice cream and ice cubes immediately after you take them out of the freezer compartment! (This may cause frostbite in your mouth.)
- For products with a freezer compartment; Do not put bottled and canned liquid beverages in the freezer compartment. Otherwise, these may burst.
- Do not touch frozen food by hand; they may stick to your hand.
- Unplug your refrigerator before cleaning or defrosting.
- Vapor and vaporized cleaning materials should never be used in cleaning and defrosting processes of your refrigerator. In such cases, the vapor may get in contact with the electrical parts and cause short circuit or electric shock.
- Never use the parts on your refrigerator such as the door as a means of support or step.
- Do not use electrical devices inside the refrigerator.
- Do not damage the parts, where the refrigerant is circulating, with drilling or cutting tools. The refrigerant that might blow out when the gas channels of the evaporator, pipe extensions or surface coatings are punctured causes skin irritations and eye injuries.
- Do not cover or block the ventilation holes on your refrigerator with any material.
- Electrical devices must be repaired by only authorised persons. Repairs performed by incompetent persons create a risk for the user.
- In case of any failure or during a maintenance or repair work, disconnect your refrigerator's mains supply by either turning off the relevant fuse or unplugging your appliance.

- Do not pull by the cable when pulling off the plug.
- Place the beverage with higher proofs tightly closed and vertically.
- Never store spray cans containing flammable and explosive substances in the refrigerator.
- Do not use mechanical devices or other means to accelerate the defrosting process, other than those recommended by the manufacturer.
- This product is not intended to be used by persons with physical, sensory or mental disorders or unlearned or inexperienced people (including children) unless they are attended by a person who will be responsible for their safety or who will instruct them accordingly for use of the product

- Do not operate a damaged refrigerator. Consult with the service agent if you have any concerns.
- Electrical safety of your refrigerator shall be guaranteed only if the earth system in your house complies with standards.
- Exposing the product to rain, snow, sun and wind is dangerous with respect to electrical safety.
- Contact authorized service when there is a power cable damage to avoid danger.
- Never plug the refrigerator into the wall outlet during installation. Otherwise, risk of death or serious injury may arise.
- This refrigerator is intended for only storing food items. It must not be used for any other purpose.
- Label of technical specifications is located on the left wall inside the refrigerator.

- Never connect your refrigerator to electricity-saving systems; they may damage the refrigerator.
- If there is a blue light on the refrigerator, do not look at the blue light with optical tools.
- For manually controlled refrigerators, wait for at least 5 minutes to start the refrigerator after power failure.
- This operation manual should be handed in to the new owner of the product when it is given to others.
- Avoid causing damage on power cable when transporting the refrigerator. Bending cable may cause fire. Never place heavy objects on power cable. Do not touch the plug with wet hands when plugging the product.



- Do not plug the refrigerator if the wall outlet is loose.
- Water should not be sprayed directly on inner or outer parts of the product for safety purposes.
- Do not spray substances containing inflammable gases such as propane gas near the refrigerator to avoid fire and explosion risk.
- Never place containers filled with water on top of the refrigerator, otherwise this may cause electric shock or fire.

- Do not overload your refrigerator with excessive amounts of food. If overloaded, the food items may fall down and hurt you and damage refrigerator when you open the door. Never place objects on top of the refrigerator; otherwise, these objects may fall down when you open or close the refrigerator's door.
- As they require a precise temperature, vaccines, heat-sensitive medicine and scientific materials and etc. should not be kept in the refrigerator.
- If not to be used for a long time, refrigerator should be unplugged. A possible problem in power cable may cause fire.
- The plug's tip should be regularly cleaned; otherwise, it may cause fire.
- The plug's tip should be cleaned regularly with a dry cloth; otherwise, it may cause fire.
- Refrigerator may move if adjustable legs are not properly secured on the floor. Properly securing adjustable legs on the floor can prevent the refrigerator to move.
- When carrying the refrigerator, do not hold it from door handle. Otherwise, it may be snapped.
- When you have to place your product next to another refrigerator or freezer, the distance between devices should be at least 8cm. Otherwise, adjacent side walls may be humidified.

For products with a water dispenser;

Pressure of water mains should be minimum 1 bar. Pressure of water mains should be maximum 8 bars.

- Use only potable water.

Child safety

- If the door has a lock, the key should be kept away from reach of children.
- Children must be supervised to prevent them from tampering with the product.

HCA Warning

If your product's cooling system contains R600a:

This gas is flammable. Therefore, pay attention to not damaging the cooling system and piping during usage and transportation. In the event of damage, keep your product away from potential fire sources that can cause the product catch a fire and ventilate the room in which the unit is placed.

Ignore this warning if your product's cooling system contains R134a.

Type of gas used in the product is stated in the type plate which is on the left wall inside the refrigerator.

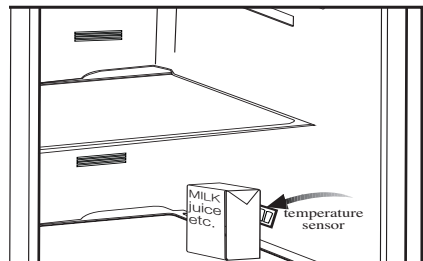
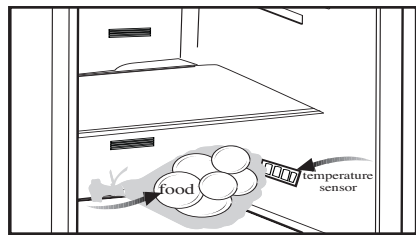
Never throw the product in fire for disposal.

Things to be done for energy saving

- Do not leave the doors of your refrigerator open for a long time.
- Do not put hot food or drinks in your refrigerator.
- Do not overload your refrigerator so that the air circulation inside of it is not prevented.
- Do not install your refrigerator under direct sunlight or near heat emitting appliances such as ovens, dishwashers or radiators.
- Pay attention to keep your food in closed containers.
- For products with a freezer compartment; You can store maximum amount of food items in the freezer when you remove the shelf or drawer of the freezer. Energy consumption value stated for your refrigerator has been determined by removing freezer shelf or drawer and under maximum load. There is no harm to use a shelf or drawer according to the shapes and size of food to be frozen.
- Thawing frozen food in fridge compartment will both provide energy saving and preserve the food quality.

Recommenations for freshfood compartment * OPTIONAL

- Please do not let any foodstuff to come to contact with the temperature sensor in freshfood compartment. In order to maintain freshfood compartment at ideal storage temperature, the sensor must not be blocked by fodstuffs.
- Do not place hot foodstuff in your appliance.



3 Installation

⚠ Please remember that the manufacturer shall not be held liable if the information given in the instruction manual is not observed.

Points to be considered when re-transporting your refrigerator

1. Your refrigerator must be emptied and cleaned prior to any transportation.
2. Shelves, accessories, crisper and etc. in your refrigerator must be fastened securely by adhesive tape against any jolt before repackaging.
3. Packaging must be tied with thick tapes and strong ropes and the rules of transportation printed on the package must be followed.

Please do not forget...

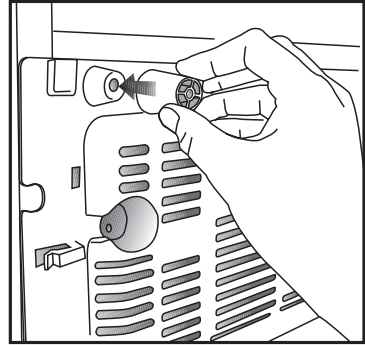
Every recycled material is an indispensable source for the nature and for our national resources.

If you wish to contribute to recycling the packaging materials, you can get further information from the environmental bodies or local authorities.

Before operating your refrigerator

Before starting to use your refrigerator check the following:

1. Is the interior of the refrigerator dry and can the air circulate freely in the rear of it?
2. Please install the 2 plastic wedges as illustrated in the figure. Plastic wedges will provide the required distance between your refrigerator and the wall in order to allow the air circulation. (The illustrated figure is only an example and does not match exactly with your product.)



3. Clean the interior of the refrigerator as recommended in the "Maintenance and cleaning" section.
4. Plug the refrigerator into the wall outlet. When the fridge door is open, the fridge compartment interior light will come on.
5. You will hear a noise as the compressor starts up. The liquid and gases sealed within the refrigeration system may also give rise to noise, even if the compressor is not running and this is quite normal.
6. Front edges of the refrigerator may feel warm. This is normal. These areas are designed to be warm to avoid condensation

Electric connection

Connect your product to a grounded socket which is being protected by a fuse with the appropriate capacity.

Important:

- The connection must be in compliance with national regulations.
- The power cable plug must be easily accessible after installation.
- The specified voltage must be equal to your mains voltage.

- Extension cables and multiway plugs must not be used for connection.

⚠️ A damaged power cable must be replaced by a qualified electrician.

⚠️ Product must not be operated before it is repaired! There is danger of electric shock!

Disposing of the packaging

The packing materials may be dangerous for children. Keep the packing materials out of the reach of children or dispose of them by classifying them in accordance with the waste instructions. Do not dispose of them along with the normal household waste.

The packing of your refrigerator is produced from recyclable materials.

Disposing of your old refrigerator

Dispose of your old refrigerator without giving any harm to the environment.

- You may consult your authorised dealer or waste collection center of your municipality about the disposal of your refrigerator.

Before disposing of your refrigerator, cut out the electric plug and, if there are any locks on the door, make them inoperable in order to protect children against any danger.

Placing and Installation

⚠️ If the entrance door of the room where the refrigerator will be installed is not wide enough for the refrigerator to pass through, then call the authorised service to have them remove the doors of your refrigerator and pass it sideways through the door.

1. Install your refrigerator to a place that allows ease of use.
2. Keep your refrigerator away from heat sources, humid places and direct sunlight.
3. There must be appropriate air ventilation around your refrigerator in order to achieve an efficient operation. If the refrigerator is to be placed in a recess in the wall, there must be at least 5 cm distance with the ceiling and at least 5 cm with the wall. If the floor is covered with a carpet, your product must be elevated 2.5 cm from the floor.
4. Place your refrigerator on an even floor surface to prevent jolts.
5. Do not keep your refrigerator in ambient temperatures under 10°C.

ⓘ This appliance is designed to operate at temperatures specified in the table below is equipped with Advanced Electronic Temperature Control System [AETCS] which ensures that at the advised setting [4 - four on the knob] the frozen food in the freezer will not defrost even if the ambient temperature falls as low as -15 °C. When first installed the product MUST NOT be placed in low ambient temperatures because the freezer will not reduce to its standard operating temperature. Once it has reached its steady operating state it can be re-located. So you may then install your appliance in a garage or an unheated room without having to worry about frozen food in the freezer being spoilt. However at low ambient temperatures mentioned above, fridge contents are likely to freeze, so check and consume food in the fridge accordingly. When the ambient temperature returns to normal, you may change the knob setting to suit your needs.

ⓘ If the ambient temperature is below 0°C, the food in the fridge compartment will freeze. So, we recommend you don't use the fridge compartment in such low ambient conditions. You can continue using the freezer compartment as usual.

Open door warning

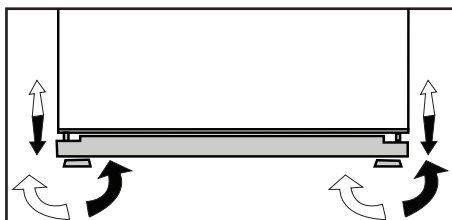
An audio warning will be given when the fridge or freezer compartment door of your product is left open for a certain period of time. This audio warning signal will mute when any button on the indicator is pressed or when the door is closed.

Changing the illumination lamp

To change the lamp used for illumination of your refrigerator, please call your Authorized Service.

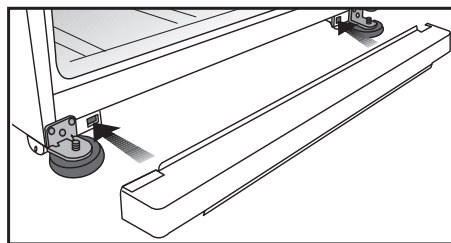
Adjusting the legs

If your refrigerator is unbalanced; You can balance your refrigerator by turning the front legs of it as illustrated in the figure. The corner where the leg exists is lowered when you turn in the direction of black arrow and raised when you turn in the opposite direction. Taking help from someone to slightly lift the refrigerator will facilitate this process.



Installing the lower ventilation cover

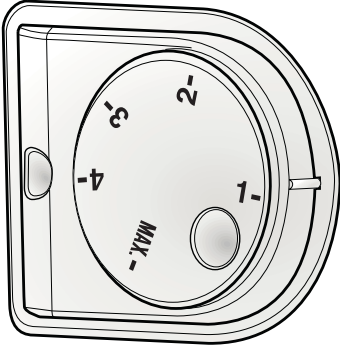
You can install the lower ventilation cover as illustrated in the figure.



4 Preparation

- i** Your refrigerator should be installed at least 30 cm away from heat sources such as hobs, ovens, central heater and stoves and at least 5 cm away from electrical ovens and should not be located under direct sunlight.
- i** The ambient temperature of the room where you install your refrigerator should at least be 10°C. Operating your refrigerator under cooler conditions than this is not recommended with regard to its efficiency.
- i** Please make sure that the interior of your refrigerator is cleaned thoroughly.
- i** If two refrigerators are to be installed side by side, there should be at least 2 cm distance between them.
- i** When you operate your refrigerator for the first time, please observe the following instructions during the initial six hours.
 - The door should not be opened frequently.
 - It must be operated empty without any food in it.
 - Do not unplug your refrigerator. If a power failure occurs out of your control, please see the warnings in the “Recommended solutions for the problems” section.
- i** Original packaging and foam materials should be kept for future transportations or moving.

5 Using your refrigerator



Temperature setting button

Temperature setting button allows you to make the temperature setting of your refrigerator.

Setting the temperature of your refrigerator

The overall temperature setting of your refrigerator is made by means of the temperature setting button on the right wall of the fridge compartment. This button has 4 different temperature setting position. Select the position suitable to your needs.

Dual cooling system

Your refrigerator is equipped with two separate cooling systems to cool the fresh food compartment and freezer compartment. Thus, air in the fresh food compartment and freezer compartment do not get mixed. Thanks to these two separate cooling systems, cooling speed is much higher than other refrigerators. Odours in the compartments do not get mixed. Also additional power saving is provided since the automatic defrosting is performed individually.

Hygiene : Odour filter in the air duct of the fridge compartment helps to clean the air in the refrigerator. This filter reduces the formation of bad odours by means of its coating.


Freezer Compartment Adjustment	Fridge Compartment Adjustment	Explanations
-18°C	4°C	This is the normal recommended setting.
-20,-22 or -24°C	4°C	These settings are recommended when the ambient temperature exceeds 30°C.
Quick Freeze	4°C	Use when you wish to freeze your food in a short time. Your refrigerator will return to its previous mode when the process is over.
-18°C or colder	2°C	If you think that your fridge compartment is not cold enough because of the hot conditions or frequent opening and closing of the door.
-18°C or colder	Quick Fridge	You can use it when your fridge compartment is overloaded or if you wish to cool down your food rapidly. It is recommended that you activate quick fridge function 4-8 hours before placing the food.

Freezing fresh food

- It must be preferred to wrap or cover the food before placing them in the refrigerator.
- Hot food must cool down to the room temperature before putting them in the refrigerator.
- The foodstuff that you want to freeze must be fresh and in good quality.
- Foodstuff must be divided into portions according to the family's daily or meal based consumption needs.
- The foodstuff must be packaged in an airtight manner to prevent them from drying even if they are going to be kept for a short time.
- Materials to be used for packaging must be tear-proof and resistant to cold, humidity, odor, oils and acids and they must also be airtight. Moreover, they must be well closed and they must be made from easy-to-use materials that are suitable for deep freeze usage.
- Frozen food must be used immediately after they are thawed and they should never be re-frozen.
- Please observe the following instructions to obtain the best results.

1. Do not freeze too large quantities of food at one time. The quality of the food is best preserved when it is frozen right through to the core as quickly as possible.
2. Placing warm food into the freezer compartment causes the cooling system to operate continuously until the food is frozen solid.
3. Take special care not to mix already frozen food and fresh food.

Recommendations for preservation of frozen food

- Prepacked commercially frozen food should be stored in accordance with the frozen food manufacturer's instructions for a  (4 star) frozen food storage compartment.
- To ensure that the high quality achieved by the frozen food manufacturer and the food retailer is maintained, the following should be remembered:
 1. Put packages in the freezer as quickly as possible after purchase.
 2. Ensure that contents are labeled and dated.
 3. Do not exceed "Use By", "Best Before" dates on the packaging.

Defrosting

The freezer compartment defrosts automatically.

Placing the food

Freezer compartment shelves	Various frozen food such as meat, fish, ice cream, vegetables and etc.
Egg tray	Egg
Fridge compartment shelves	Food in pans, covered plates and closed containers
Fridge compartment door shelves	Small and packaged food or drinks (such as milk, fruit juice and beer)
Crisper	Vegetables and fruits
Freshzone compartment	Delicatessen products (cheese, butter, salami and etc.)

Deep-freeze information

Food must be frozen as rapidly as possible when they are put in a refrigerator in order to keep them in good quality.

The TSE norm requires (according to certain measurement conditions) the refrigerator to freeze at least 4.5 kg of foodstuff at 32°C ambient temperature to -18°C or lower within 24 hours for every 100-liters of freezer volume.

It is possible to keep the food for a long time only at -18°C or lower temperatures.

You can keep the freshness of food for many months (at -18°C or lower temperatures in the deep freeze).

WARNING! ⚠

- Foodstuff must be divided into portions according to the family's daily or meal based consumption needs.
- Foodstuff must be packaged in an airtight manner to prevent them from drying even if they are going to be kept for a short time.

Materials necessary for packaging:

- Cold resistant adhesive tape
- Self adhesive label
- Rubber rings
- Pen

Materials to be used for packaging the foodstuff must be tear-proof and resistant to cold, humidity, odor, oils and acids.

Foodstuff to be frozen should not be allowed to come in contact with the previously frozen items to prevent their partial thawing.

Frozen food must be used immediately after they are thawed and they should never be re-frozen.

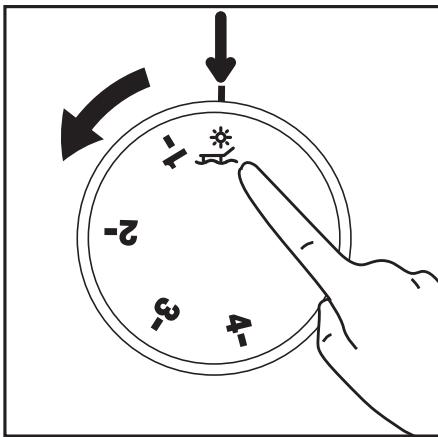
Vacation Function

If the doors of the product are not opened for 12 hours after the thermostat is switched to the hottest position, then the vacation function will be activated automatically.

Open the door of the product or change the thermostat setting to cancel the function.

Vacation function is optional. It may vary depending on the product type and may not be contained in every product.

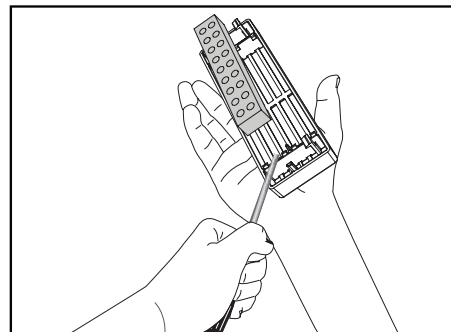
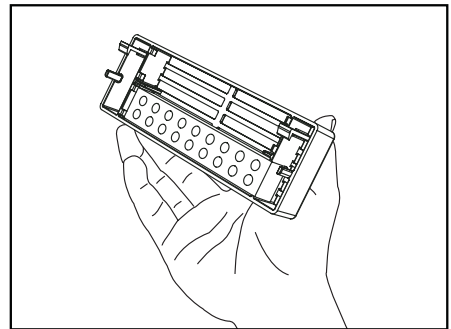
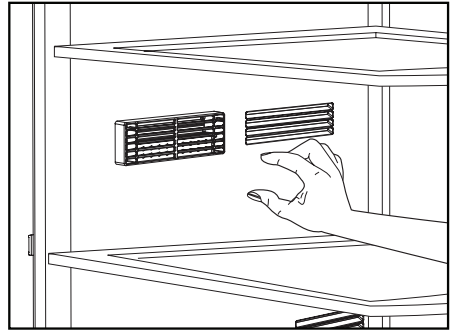
It is not recommended to store food in cooler compartment when the vacation function is active.



Figures that take place in this instruction manual are schematic and may not correspond exactly with your product. If the subject parts are not included in the product you have purchased, then it is valid for other models.

Odour filter

Odour filter in the air duct of the fridge compartment prevents the build-up of unpleasant odours in the refrigerator.



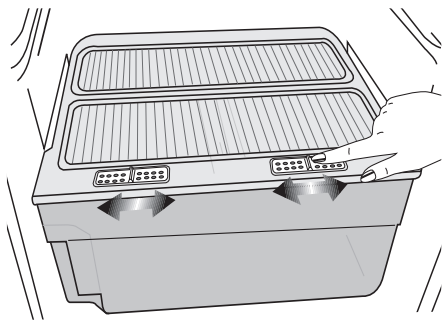
Crisper humidity control sliders

Using the crisper humidity control sliders

Crisper of your refrigerator is designed specially to keep your vegetables fresh without losing their humidity. Cold air circulates basically around the crisper and the amount of the cold air passing through the crisper is controlled by the sliders on the front side of the crisper cover.

You can adjust the humidity control sliders to a suitable position according to the humidity and cooling condition of your food in the crisper.

If you want your food in the crisper to cool more, open the holes of the humidity control sliders and if you want them to cool less and keep their humidity for a longer time, close the holes.



Icematic and ice storage container

Using the Icematic

* Fill the Icematic with water and place it into its seat. Your ice will be ready approximately in two hours. Do not remove the Icematic from its seating to take ice.

* Turn the knobs on it clockwise by 90 degrees.

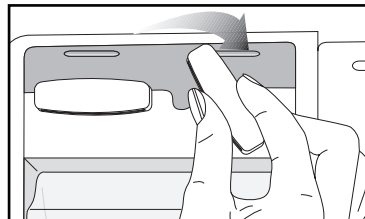
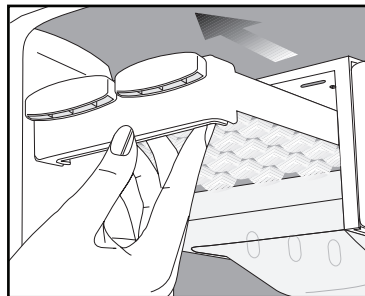
Ice cubes in the cells will fall down into the ice storage container below.

* You may take out the ice storage container and serve the ice cubes.

* If you wish, you may keep the ice cubes in the ice storage container.

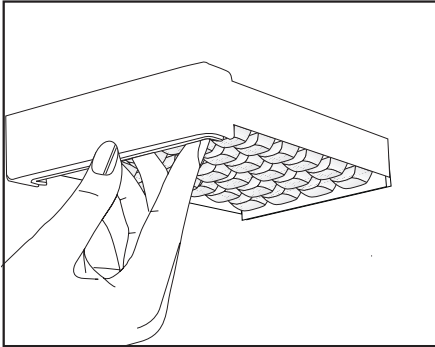
Ice storage container

Ice storage container is only intended for accumulating the ice cubes. Do not put water in it. Otherwise, it will break.



Making ice

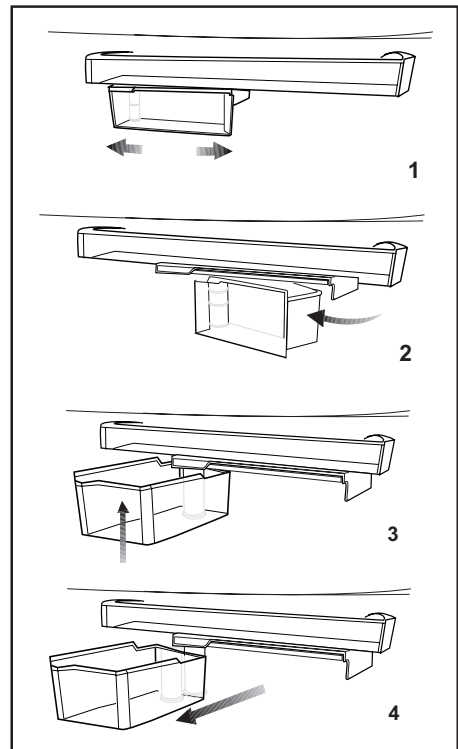
Fill the ice container with water and place it into its seat. Your ice will be ready approximately in two hours. You can easily remove your ice by slightly twisting the ice container.



Rotary storage container

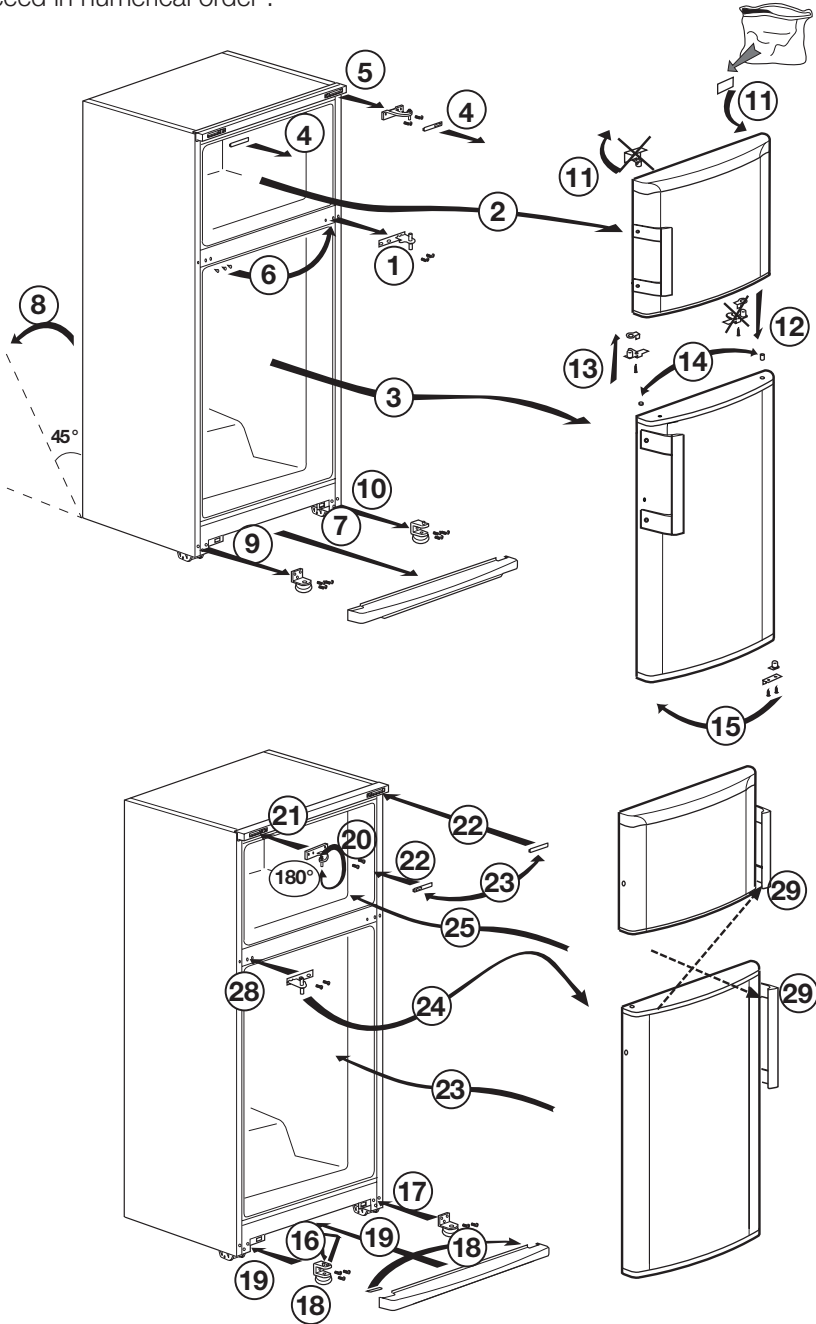
Sliding body shelf can be moved to left or right in order to allow you place long bottles, jars or boxes to a lower shelf (Fig. 1)

You can reach the food that you have placed into the shelf by grabbing and turning it from its right edge (Fig.2). When you want to load or remove it to clean, turn it by 90 degrees, raise it up and pull towards yourself (Fig. 3-4).



Reversing the doors

Proceed in numerical order .



6 Maintenance and cleaning

- ⚠ Never use gasoline, benzene or similar substances for cleaning purposes.
- ⚠ We recommend that you unplug the appliance before cleaning.
- ⚠ Never use any sharp abrasive instrument, soap, household cleaner, detergent and wax polish for cleaning.
- ℹ Use lukewarm water to clean the cabinet of your refrigerator and wipe it dry.
- ℹ Use a damp cloth wrung out in a solution of one teaspoon of bicarbonate of soda to one pint of water to clean the interior and wipe it dry.
- ⚠ Make sure that no water enters the lamp housing and other electrical items.
- ⚠ If your refrigerator is not going to be used for a long period of time, unplug the power cable, remove all food, clean it and leave the door ajar.
- ℹ Check door seals regularly to ensure they are clean and free from food particles.
- ⚠ To remove door racks, remove all the contents and then simply push the door rack upwards from the base.

Protection of plastic surfaces

- ℹ Do not put the liquid oils or oil-cooked meals in your refrigerator in unsealed containers as they damage the plastic surfaces of your refrigerator. In case of spilling or smearing oil on the plastic surfaces, clean and rinse the relevant part of the surface at once with warm water.

7 Recommended solutions for the problems

Please review this list before calling the service. It might save you time and money. This list includes frequent complaints that are not arising from defective workmanship or material usage. Some of the features described here may not exist in your product.

The refrigerator does not operate.

- Is the refrigerator properly plugged in? Insert the plug to the wall socket.
- Is the fuse of the socket which your refrigerator is connected to or the main fuse blown out? Check the fuse.

Condensation on the side wall of the fridge compartment (MULTIZONE, COOL CONTROL and FLEXI ZONE).

- Very cold ambient conditions. Frequent opening and closing of the door. Highly humid ambient conditions. Storage of food containing liquid in open containers. Leaving the door ajar. Switching the thermostat to a colder degree.
- Decreasing the time the door left open or using it less frequently.
- Covering the food stored in open containers with a suitable material.
- Wipe the condensation using a dry cloth and check if it persists.

Compressor is not running

- Protective thermic of the compressor will blow out during sudden power failures or plug-out plug-ins as the refrigerant pressure in the cooling system of the refrigerator has not been balanced yet. Your refrigerator will start running approximately after 6 minutes. Please call the service if the refrigerator does not startup at the end of this period.
- The fridge is in defrost cycle. This is normal for a full-automatically defrosting refrigerator. Defrosting cycle occurs periodically.
- Your refrigerator is not plugged into the socket. Make sure that the plug is properly fit into the socket.
- Are the temperature adjustments correctly made?
- Power might be cut off.

The fridge is running frequently or for a long time.

- Your new product may be wider than the previous one. This is quite normal. Large refrigerators operate for a longer period of time.
- The ambient room temperature may be high. This is quite normal.
- The refrigerator might have been plugged in recently or might have been loaded with food. Cooling down of the refrigerator completely may last for a couple of hours longer.
- Large amounts of hot food might have been put in the refrigerator recently. Hot food causes longer running of the refrigerator until they reach the safe storage temperature.
- Doors might have been opened frequently or left ajar for a long time. The warm air that has entered into the refrigerator causes the refrigerator to run for longer periods. Open the doors less frequently.
- Freezer or fridge compartment door might have been left ajar. Check if the doors are tightly closed.
- The refrigerator is adjusted to a very low temperature. Adjust the refrigerator temperature to a warmer degree and wait until the temperature is achieved.
- Door seal of the fridge or freezer may be soiled, worn out, broken or not properly seated. Clean or replace the seal. Damaged/broken seal causes the refrigerator to run for a longer period of time in order to maintain the current temperature.

Freezer temperature is very low while the fridge temperature is sufficient.

- The freezer temperature is adjusted to a very low temperature. Adjust the freezer temperature to a warmer degree and check.

Fridge temperature is very low while the freezer temperature is sufficient.

- The fridge temperature might have been adjusted to a very low temperature. Adjust the fridge temperature to a warmer degree and check.

Food kept in the fridge compartment drawers are freezing.

- The fridge temperature might have been adjusted to a very low temperature. Adjust the fridge temperature to a warmer degree and check.

Temperature in the fridge or freezer is very high.

- The fridge temperature might have been adjusted to a very high degree. Fridge adjustment has an effect on the temperature of the freezer. Change the temperature of the fridge or freezer until the fridge or freezer temperature reaches to a sufficient level.
- Doors might have been opened frequently or left ajar for a long time; open them less frequently.
- Door might have been left ajar; close the door completely.
- Large amount of hot food might have been put in the refrigerator recently. Wait until the fridge or freezer reaches the desired temperature.
- The refrigerator might have been plugged in recently. Cooling down of the refrigerator completely takes time.

The operation noise increases when the refrigerator is running.

- The operating performance of the refrigerator may change due to the changes in the ambient temperature. It is normal and not a fault.

Vibrations or noise.

- The floor is not even or it is weak. The refrigerator rocks when moved slowly. Make sure that the floor is strong enough to carry the refrigerator, and level.
- The noise may be caused by the items put onto the refrigerator. Items on top of the refrigerator should be removed.

There are noises coming from the refrigerator like liquid spilling or spraying.

- Liquid and gas flows happen in accordance with the operating principles of your refrigerator. It is normal and not a fault.

There is a noise like wind blowing.

- Fans are used in order to cool the refrigerator. It is normal and not a fault.

Condensation on the inner walls of refrigerator.

- Hot and humid weather increases icing and condensation. It is normal and not a fault.
- Doors might have been left ajar; make sure that the doors are closed fully.
- Doors might have been opened frequently or left ajar for a long time; open them less frequently.

Humidity occurs on the outside of the refrigerator or between the doors.

- There might be humidity in the air; this is quite normal in humid weather. When the humidity is less, condensation will disappear.

Bad odour inside the refrigerator.

- Inside of the refrigerator must be cleaned. Clean the inside of the refrigerator with a sponge, lukewarm water or carbonated water.
- Some containers or package materials might cause the smell. Use a different container or different brand packaging material.

The door is not closing.

- Food packages may prevent the door's closing. Replace the packages that are obstructing the door.
- The refrigerator is not completely upright on the floor and rocking when slightly moved. Adjust the elevation screws.
- The floor is not level or strong. Make sure that the floor is level and capable to carry the refrigerator.

Crispers are stuck.

- The food might be touching the ceiling of the drawer. Rearrange food in the drawer.

يرجى قراءة هذا الدليل أولاً!

عميلنا العزيز،

عميلنا العزيز نأمل أن هذا المنتج والذي تم إنتاجه في مصانع حديثة وفحصه بإجراءات صارمة لرقابة الجودة سيقدم لكم خدمة فعالة.




ولذلك فنحن نوصي بقراءة هذا الدليل بالكامل بعناية قبل استخدامه وحفظه للرجوع إليه في المستقبل.

هذا الدليل

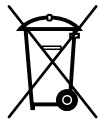
- سيساعدك على استخدام الجهاز بسرعة وبطريقة مأمونة.
- يرجى قراءة هذا الدليل قبل تركيب المنتج وتشغيله.
- يرجى اتباع الإرشادات، خاصة تلك المتعلقة بالسلامة.
- احتفظ بهذا الدليل في مكان يسهل الوصول إليه عند الحاجة إليه في المستقبل.
- وبالإضافة إلى ذلك، يرجى قراءة المستندات الأخرى المرفقة مع المنتج.
- يرجى ملاحظة أن هذا الدليل قد يكون صالحاً لأنواع أخرى أيضاً.

الرموز ومعانيها.

يحتوي دليل التعليمات هذا على الرموز التالية.

- | | |
|--|---|
| معلومات مهمة أو تلميحات استخدام مفيدة |  |
| تحذير ضد الأحوال الخطرة على حياة البشر والممتلكات. |  |
| تحذير ضد الفولتية الكهربائية. |  |

إعادة التصنيع



هذا المنتج يحمل رمز التصنيف الاختياري للمعدات الإلكترونية والكهربائية التي يمكن التخلص منها (WEEE). مما يعني أن هذا المنتج يجب التعامل معه وفقاً للقانون الأوروبي EC/2002/96 لكي يمكن إعادة تصنيعه أو فكه لتقليل أثره على البيئة. للمزيد من المعلومات، يرجى الاتصال بالهيئات المحلية أو الإقليمية.

قد تكون المنتجات الإلكترونية التي لم ترد في العملية التصنيعية الاختيارية خطيرة على البيئة والصحة بسبب وجود مواد خطيرة بها.

5 استخدام الثلجة

- زر ضبط درجة الحرارة 12
- ضبط درجة حرارة الثلجة 12
- نظام التبريد المزدوج 12
- الحماية المزدوجة 12
- نظام التبريد المزدوج 13
- تجميد الأطعمة الطازجة 13
- توصيات المحافظة على الأطعمة المجمدة 14
- وضع الطعام 14
- معلومات التجميد العميق 14
- وظيفة الأجازات 15
- مرشح الروائح 15
- مزليج التحكم في الرطوبة في الدرج 16
- وحدة صنع الثلج وصندوق تخزين الثلج 16
- صندوق التخزين الدوار 17
- عمل مكعبات الثلج 17
- عكس الأبواب 18

6 الصيانة والتنظيف

- حماية الأسطح البلاستيكية 19

7 حلول مقترحة للمشكلات

- 20

2 تحذيرات السلامة المهمة

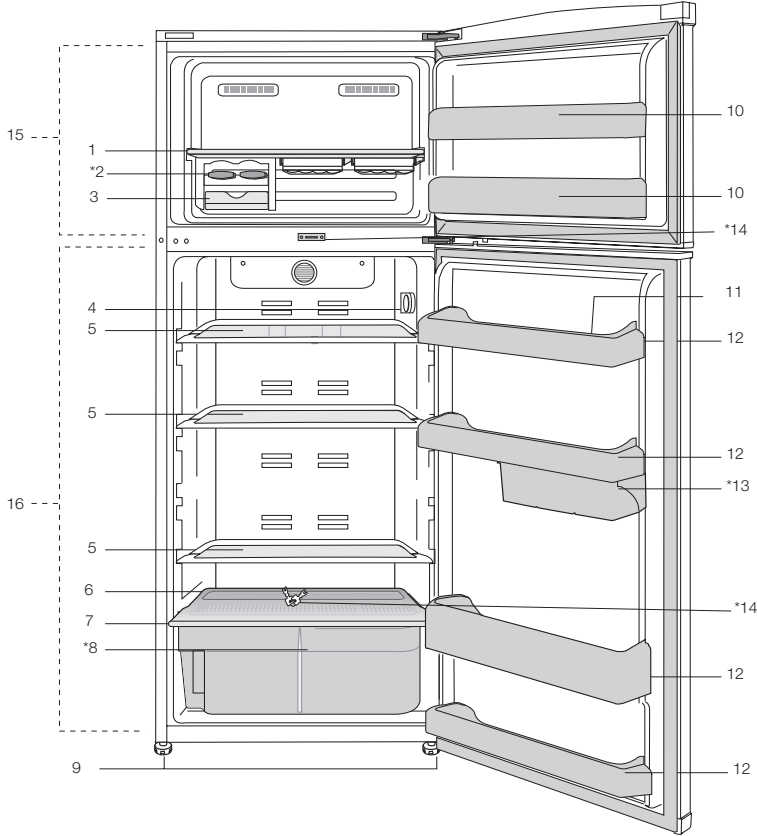
- الغرض المخصص 4
- بالنسبة للمنتجات المزودة بموزع الماء، 5
- تأمين سلامة الأطفال 5
- تحذير الحرارة والتبريد والتهوية (HCA) 5
- أشياء يجب عملها لتوفير الطاقة 6
- توصيات لمقصورة الطعام الطازج 7

3 التركيب

- نقاط يجب مراعاتها عند نقل الثلجة 8
- ضبط أقدام الثلجة 8
- قبل تشغيل الثلجة 8
- التوصيل الكهربائي 9
- التخلص من عبوة المنتج 9
- التخلص من الثلجة القديمة 9
- تغيير مصباح الإضاءة 9
- تغيير اتجاه فتحة الباب 10
- تحذير فتح الباب 10
- ضبط أقدام الثلجة 10

10 تركيب غطاء التهوية السفلي

- 10



- | | |
|----------------------------|----------------------------|
| 9- رف تجويف باب الفريزر | 1- درج مكعبات الثلج |
| 10- أرفف البيض | 2- وحدة صنع الثلج |
| 11- أرفف باب صندوق الثلاجة | 3- صندوق تخزين الثلج |
| 12- صندوق الفريزر | 4- أرفف زجاجية قابلة للضبط |
| 13- أرفف باب صندوق الثلاجة | 5- غطاء الدرج |
| 14- مفتاح | 6- الأدراج |
| 15- صندوق الثلاجة | 7- غطاء التهوية السفلي |
| 16- صندوق التخزين | 8- أقدام قابلة للضبط |

*يرايخا

❗ الأشكال الواردة في دليل التعليمات هذا هي رسومات بيانية وقد لا تتطابق تمامًا مع المنتج. إذا لم تكن هذه القطع واردة في هذا الجهاز الذي اشتريته، فإنها مناسبة لأنواع أخرى.

- لا تستخدم أي أجهزة كهربائية داخل الثلاجة.
- لا تتلف الأجزاء حيث يتم تدوير الهواء البارد بأدوات حفر أو قطع. فقد ينفجر المبرد عند ثقب قنوات الغاز أو المبخر أو وصلات الأنابيب أو طلاءات السطح، وقد يتسبب ذلك في حدوث اعتلال للجلد وإصابات للعين.
- لا تغط فتحات تهوية الثلاجة أو تسدها بأي مواد.
- يجب إجراء الإصلاحات بواسطة شخص مؤهل فقط. فعمليات الإصلاح التي يقوم بها أشخاص غير مؤهلين قد تمثل خطورة على المستخدم.
- في حالة وقوع أي عطل أو أثناء أي عملية صيانة أو أعمال إصلاح، افصل الثلاجة عن مصدر التيار الكهربائي الرئيسي إما بإغلاق المنصهر المعني أو بنزع قابس التيار الكهربائي الخاص بالجهاز.
- لا تجنب الكابل - بل اجنب من المقبس.
- ضع المشروبات رأسياً وهي مغطاة بإحكام.
- يجب عدم الاحتفاظ في الثلاجة بالمواد القابلة للاشتعال أو المنتجات التي تحتوي على غازات قابلة للاشتعال (مثل الإسبراي) وكذلك المواد القابلة للانفجار.
- يجب عدم استخدام أدوات ميكانيكية أو أية وسائل أخرى للتسريع من عملية إزالة التجميد، بخلاف الأدوات التي توصي بها الجهة المصنعة.
- هذا الجهاز غير مُعد للاستخدام بواسطة الأفراد (بما في ذلك الأطفال) ذوي القدرات الجسدية والحسية والذهنية المحدودة، أو الأفراد الذين يفقدون للخبرة والمعرفة ما لم يتم الإشراف عليهم أو إعطائهم تعليمات استخدام الجهاز بواسطة شخص مسنول عن سلامتهم أو الشخص الذي سيقيم بإعطائهم التعليمات الخاصة باستخدام المنتج.
- لا تقم بتشغيل الثلاجة وهي تالفة. استشر مركز الصيانة إذا لديك أي شك.
- يمكن ضمان السلامة الكهربائية للثلاجة فقط إذا كان نظام التوصيل الأرضي في منزلك يتوافق مع المعايير.
- إن تعريض الجهاز للأمطار و الثلج و الشمس والرياح يمثل خطورة فيما يتعلق بالسلامة الكهربائية. اتصل بفني خدمة مؤهل في حالة وجود تلف بكابل الطاقة لتجنب المخاطر.
- لا تقم بتوصيل الثلاجة بمنفذ الحائط أبداً أثناء عملية التركيب. وإلا، فهناك خطر أن تلقى مصرعك أو تلحق بك إصابة خطيرة.
- يرجى فحص المعلومات التالية. ربما يؤدي الإخفاق في اتباع هذه المعلومات إلى إصابات أو تلف للممتلكات. ومن ثم، قد تصبح كل التزامات الفعالية والضمان غير سارية.
- يمتد العمر الافتراضي لاستخدام المنتج إلى 10 سنوات. وهذه هي فترة الإبقاء على عمل قطع الغيار المطلوبة للوحدة على النحو المبين.

الغرض المخصص

هذا المنتج مخصص لاستخدام

- داخل المنزل وفي الأماكن المغلقة كالمنازل.
- وفي بيئات العمل المغلقة مثل المخازن والمكاتب
- في مناطق السكن المغلقة مثل منازل المزرعة والفنادق والشقق الفندقية.
- لذا، يجب عدم استخدامه في الأماكن الخارجية.

السلامة العامة

- إذا أردت التخلص من الجهاز، فيوصى باستشارة مركز الصيانة المعتمد لمعرفة المعلومات المطلوبة والهيئات المعتمدة.
- استشر مركز الصيانة المعتمد حول كل الاستفسارات والمشكلات المتعلقة بالثلاجة. لا تتدخل ولا تدع أحداً يتدخل في صيانة الجهاز دون إخبار مراكز الصيانة المعتمدة.
- بالنسبة للمنتجات المزودة بصندوق فريزر، لا تأكل بسكويت الآيس كريم ومكعبات الثلج مباشرة بعد إخراجها من صندوق الفريزر. (فقد يسبب هذا لسعة صقيع داخل فمك).
- بالنسبة للمنتجات المزودة بصندوق فريزر، لا تضع المشروبات السائلة المعلبة أو الموضوعة في زجاجات في صندوق الفريزر. وإلا، فقد تنفجر.
- لا تلمس الطعام المجمد باليد، فقد يلتصق بيديك.
- افصل قابس التيار الكهربائي قبل تنظيف الثلاجة أو إزالة الثلج.
- لا يجب استخدام البخار أو مواد التنظيف بالبخار أبداً في تنظيف أو عمليات إزالة الثلج من الثلاجة. ففي مثل هذه الحالة، قد يتفاعل البخار مع القطع الكهربائية ويؤدي إلى قطع التيار الكهربائي أو وقوع صدمة كهربائية.
- لا تستخدم مطلقاً قطع الثلاجة، مثل الباب كوسيلة دعم أو للوقوف عليه.

- تم تصميم هذه الثلاجة فقط لحفظ الطعام. يجب ألا تستخدم لأية أغراض أخرى.
- يوجد ملصق التصنيف الذي يحتوي على المواصفات الفنية للمنتج في الجزء الأيسر الداخلي للثلاجة.
- لا تصل الثلاجة بأي نظم إلكترونية لتوفير الطاقة فقد يتلف المنتج.
- إذا كانت الثلاجة بها لون أزرق، فلا تنظر إلى اللون الأزرق من خلال أجهزة بصرية.
- إذا تم فصل التيار الكهربائي في الثلاجات المتحكم فيها يدوياً، يرجى الانتظار لمدة 5 دقائق قبل إعادة توصيل التيار الكهربائي.
- ينبغي تسليم دليل التشغيل هذا إلى المالك الجديد للثلاجة عند بيعها للآخرين.
- تجنب تلف كابل الطاقة أثناء نقل الثلاجة. قد يتسبب الكابل المتني في نشوب حريق. لا تضع أي أشياء ثقيلة على كابل الطاقة. لا تلمس القابس بأيدي مبتلة عند توصيل قابس الثلاجة.
- إذا لم يتم استخدام الثلاجة لفترة طويلة، فيجب فصلها عن التيار الكهربائي. قد تتسبب أي مشكلة في عزل الكابل في نشوب حريق.
- يجب تنظيف طرف قابس التيار الكهربائي بشكل دوري وإلا فقد يتسبب في نشوب حريق.
- يجب تنظيف طرف قابس التيار الكهربائي بشكل دوري بقماش جاف، وإلا فقد يتسبب في نشوب حريق.
- من الممكن أن تتحرك الثلاجة إذا لم يتم تثبيتها بإحكام على الأرض. يمكن للأقدام القابلة للضبط المثبتة بإحكام على الأرض أن تثبت الثلاجة في مكانها ولا تتحرك.
- عند حمل الثلاجة، لا تمسكها من مقبض الباب. وإلا فيكسر.
- عندما ترغب في تشغيل ثلاجتك بجوار ثلاجة أخرى، اترك مسافة 8 سم على الأقل بينهما. وإلا فقد تصبح الحوائط الجانبية المقابلة لبعضها البعض رطبة.

بالنسبة للمنتجات المزودة بموزع الماء،

- يجب ألا يقل ضغط خط المياه الرئيسي عن 1 بار.
- يجب ألا يزيد ضغط خط المياه الرئيسي عن 8 بار.
- استخدم ماء قابلاً للشرب فقط.

تأمين سلامة الأطفال

- إذا كان الباب مزوداً بقفل، فينبغي الاحتفاظ بالمفتاح بعيداً عن متناول الأطفال.
- يجب رقابة الأطفال حتى لا يعيشوا بالمنتج.

تحذير الحرارة والتبريد والتهوية (HCA)

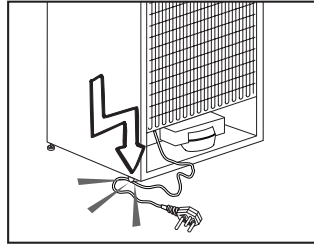
إذا كان المنتج مزوداً بنظام تبريد يحتوي على

R600a:

- هذا الغاز قابل للاشتعال. ولذا، يجب توخي الحذر حتى لا يتم إتلاف نظام التبريد والأنابيب أثناء الاستخدام والنقل. في حالة التلف، لا تتخلص من المنتج بإلقائه في النيران، واحتفظ به بعيداً عن مصادر النيران المحتملة والتي يمكن أن تتسبب في نشوب النيران بالمنتج واحرص على تهوية الحجرة التي تحتفظ بالمنتج فيها.

إذا كان المنتج مزوداً بنظام تبريد يحتوي على

- لا تصل الثلاجة إذا كان منفذ التيار الكهربائي غير محكم.
- ينبغي عدم نثر الماء مباشرة على الأجزاء الداخلية أو الخارجية للثلاجة لدواعي السلامة.
- لا ترش مواد قابلة للاشتعال مثل غاز البروبين بالقرب من الثلاجة بسبب مخاطر نشوب النيران والانفجار.
- لا تضع أشياء مملوئة بالماء أعلى الثلاجة فقد تؤدي إلى صدمة كهربائية أو نشوب حريق.
- لا تزيد من حمولة الثلاجة بطعام إضافي. إذا كانت الثلاجة بها حمل زائد، فقد يسقط الطعام ويصيبك ويتلف الثلاجة عند فتح الباب. لا تضع أشياء ثقيلة أعلى الثلاجة حيث قد تقع عند فتح باب الثلاجة أو غلقه.
- ينبغي عدم حفظ المنتجات التي تحتاج إلى تحكم دقيق في درجات الحرارة (الأمصال أو الأدوية ذات الحساسية للحرارة أو المواد العلمية أو ما شابه) في الثلاجة.



R134a:

نوع الغاز المستخدم في هذا المنتج مذكور على لوحة النوع الموجودة على الجانب الأيسر الداخلي للثلاجة. لا تتخلص من المنتج مطلقاً بإلقائه في النيران.

أشياء يجب عملها لتوفير الطاقة

- لا تترك أبواب الثلاجة مفتوحة لفترة طويلة.
- لا تضع الأطعمة أو الخضروات الساخنة في الثلاجة.
- لا تزيد حمل الثلاجة بحيث لا تمنع دورة الهواء داخلها.
- لا تترك الثلاجة تحت أشعة الشمس المباشرة أو بالقرب من أجهزة تنبعث من حرارة مثل الفرن أو غسالة الأطباق أو المشع.
- يجب وضع الطعام في علب مغلقة.
- بالنسبة للمنتجات المزودة بصندوق فريزر، يمكنك تخزين الحد الأقصى من كمية الطعام في الفريزر عندما تقوم بإخراج الرفوف أو الأدراج منه. استهلاك الطاقة المذكورة والخاص بالثلاجة تم تحديده أثناء إخراج الرف والدرج من الفريزر وتحمله بالحد الأقصى للحمولة. ولا توجد خطورة من استخدام الرف أو الدرج وفقاً للأشكال وأحجام الأطعمة المطلوب تجميدها.
- إذابة الطعام المجمد في صندوق الثلاجة ستوفر الطاقة وتحفظ جودة الطعام.

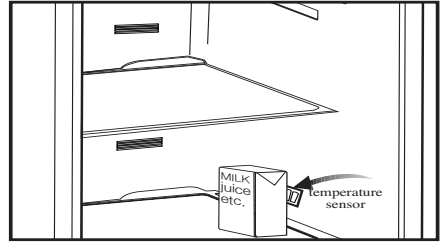
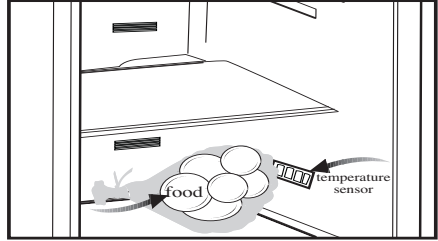
ⓘ تم تصميم هذا الجهاز ليعمل في درجات الحرارة الواردة في الجدول أدناه، وهو مزود بنظام التحكم في درجات الحرارة الإلكتروني المتقدم [AETCS] والذي يعمل على التأكد من أنه في الإعداد الموصى به [4 - أربعة على المقيض] لن يذوب الطعام المجمد في الفريزر حتى إذ قلت درجة الحرارة المحيطة عن 15- درجة مئوية. عند تركيب الثلاجة لأول مرة ينبغي ألا توضع في درجات الحرارة المحيطة المنخفضة لأن الفريزر لن يعمل على تقليل الحرارة إلى درجة حرارة التشغيل القياسية. وبمجرد وصولها إلى حالة التشغيل الثابتة يمكن عندئذ إعادة وضعها في المكان. لذا يمكنك عندئذ تركيب الثلاجة في المرآب أو في حجرة غير مسخنة دون القلق من فساد الأطعمة المجمدة الموجودة بالفريزر. إلا أنه في درجات الحرارة المحيطة المنخفضة المذكورة أعلاه قد تتجمد المحتويات الموجودة بالثلاجة، لذا قم بفحص الطعام واستهلاكه. عندما تعود درجات الحرارة المحيطة إلى الوضع الطبيعي، يمكنك تغيير إعداد المقيض ليناسب مع احتياجاتك.

ⓘ إذا كانت درجة الحرارة المحيطة أقل من 0 درجة مئوية، فسوف يتجمد الطعام الموجود في صندوق الثلاجة. لذا، نوصي بعدم استخدام صندوق الثلاجة في مثل درجات الحرارة المحيطة المنخفضة هذه. ويمكنك الاستمرار باستخدام صندوق الفريزر كالمعتاد.

توصيات لمقصورة الطعام الطازج

يرايئخا *

- يرجى عدم ترك أي أغذية تصل إلى مستشعر درجة الحرارة في مقصورة الطعام الطازج. وللحفاظ على مقصورة الطعام الطازج في درجة حرارة التخزين المثالية، لا يجب تغطية المستشعر بأية أغذية.
- لا تقم بوضع طعام ساخن في الجهاز الخاص بك.



1. يرجى تذكر أن المصنّع لن يتحمل أي مسؤولية في حالة عدم اتباع المعلومات الواردة في دليل التعليمات.

قبل تشغيل الثلاجة

1. قبل البدء في استخدام الثلاجة، تحقق مما يلي:
هل الجزء الداخلي للثلاجة جاف، وهل الهواء يدور بحرية في الجزء الخلفي؟
2. يمكنك تركيب إسفينين 2 بلاستيكيين كما هو موضح في الشكل التوضيحي.
سيوفر هذان الإسفينان المسافة المطلوبة بين الثلاجة والحائط، مما سيسمح بتدوير الهواء.

نقاط يجب مراعاتها عند نقل الثلاجة.

1. يجب إفراغ الثلاجة وتنظيفها قبل أي عملية نقل.
2. يجب تثبيت الأرفف والملحقات والأدراج وخلافه في الثلاجة بإحكام بشرط لاصق ضد الارتجاج قبل إعادة تعبئتها بالعبوة.
3. يجب إحكام العبوة بأشرطة لاصقة سميكة وحبال قوية، كما يجب إتباع تعليمات النقل المطبوعة على العبوة.

تذكر ما يلي...

- يجب عدم التخلص من أية مواد قابلة لإعادة التدوير حفاظاً على الطبيعة والموارد القومية.
إذا رغبت في المساهمة في إعادة تدوير مواد التعبئة، يمكنك الحصول على معلومات إضافية من الهيئات البيئية أو السلطات المحلية.

ضبط أقدام الثلاجة

- إذا كانت الثلاجة غير متزنة؛
يمكن ضبط اتزان الثلاجة بتدوير الأقدام الأمامية كما هو موضح بالشكل. يتم خفض الركن الموجود به القدم عند التدوير باتجاه السهم الأسود ويرتفع عند التدوير في الاتجاه المعاكس. ستساعد الاستعانة بشخص آخر في رفع الثلاجة قليلاً في إنجاز هذه العملية.

3. نظف الجزء الداخلي للثلاجة كما هو موصى به تحت قسم "الصيانة والتنظيف".
4. توصيل القابس بمنفذ الكهرباء بالحائط. عند فتح باب الثلاجة، سيضيء مصباح صندوق الثلاجة الداخلي. سوف تسمع ضوضاء عند بدء عمل جهاز ضغط الهواء. قد تؤدي السوائل والغازات المتسربة من جهاز الثلاجة إلى إحداث ضوضاء، حتى إن كان جهاز ضغط الهواء لا يعمل وهذا أمر طبيعي.
6. قد يكون ملمس الحواف الأمامية للثلاجة دافئاً. هذا شيء طبيعي. حيث تم تصميم هذه المناطق حتى تكون دافئة تجنباً للتكاثف.

التخلص من عبوة المنتج

قد تكون مواد التغليف خطرة على الأطفال. احتفظ بمواد التغليف بعيداً عن متناول الأطفال أو تخلص منها بتصنيفها وفقاً لتعليمات التخلص من المخلفات. لا تتخلص منها مع مخلفات المنزل العادية. يتم تصنيع حزمة تعبئة الثلاجة من مواد قابلة لإعادة التدوير.

التخلص من الثلاجة القديمة

تخلص من الجهاز القديم دون إحداث أي ضرر بالبيئة.

- يمكنك استشارة الوكيل المعتمد لديك أو مركز تجميع النفايات بمدينتك حول التخلص من الثلاجة القديمة. قبل التخلص من الثلاجة، اقطع القابس الكهربائي، وفي حالة وجود أي أقفال على باب الثلاجة، اجعلها غير قابلة للتشغيل لحماية الأطفال من أي خطر.

تغيير مصباح الإضاءة

إذا تعطل المصباح عن العمل، فاتبع ما يلي:

- 1- قم بإيقاف التشغيل من منفذ الحائط وانزع القابس الرئيسي. ربما تجد أنه من المفيد إخراج الأرفف للوصول السهل للمصباح.
- 2- استخدم مفكاً ذو سن مستو لفك غطاء مانع انصهار المصباح.
- 3- تأكد أولاً من أن عدم إضاءة المصباح ليس لعدم إحكام ربطها بالتأكد من ربطها بإحكام في الحامل الخاص بها. أعد وضع القابس وقم بالتشغيل. إذا عمل المصباح، أعد وضع غطاء المصباح عن طريق إدخال الجرار الخلفي ودفعه لأعلى حتى يتلاقى مع الجرارين الأماميين.

التوصيل الكهربائي

صل المنتج بمنفذ توصيل أرضي محمي بمنصهر ذي سعة مناسبة.

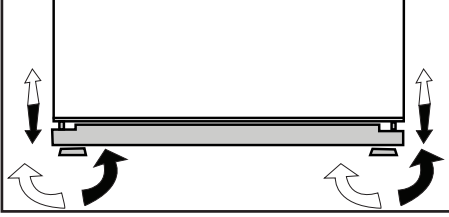
هام:

- يجب أن يتوافق التوصيل مع اللوائح الوطنية.
- يجب أن يكون قابس كابل التيار في مكان يسهل الوصول إليه بعد التركيب.
- يحدد قسم "الموصفات" الفولتية والحماية من المنصهر المسموح به.
- يجب أن تكون الفولتية المقررة مساوية لفولتية منفذ التيار الرئيسي.
- يجب عدم استخدام الوصلات الكهربائية والمقابس متعددة المسالك للتوصيل.
- ⚠ يجب يتم استبدال كابل التيار التالف بواسطة فني الكهرباء المعتمد.
- ⚠ يجب ألا يتم تشغيل المنتج قبل إصلاحه! حيث يوجد خطر يكمن في التعرض لصدمة كهربائية!

ضبط أقدام الثلاجة

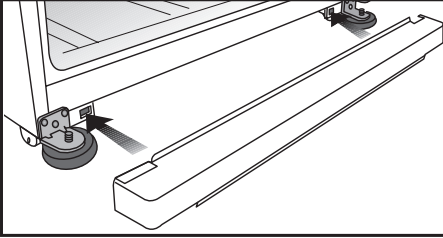
إذا كانت الثلاجة غير متزنة؛

يمكن ضبط اتزان الثلاجة بتدوير الأقدام الأمامية كما هو موضح بالشكل. يتم خفض الركن الموجود به القدم عند التدوير باتجاه السهم الأسود ويرتفع عند التدوير في الاتجاه المعاكس. ستساعد الاستعانة بشخص آخر في رفع الثلاجة قليلاً في إنجاز هذه العملية.



تركيب غطاء التهوية السفلي

يمكنك تركيب غطاء التهوية السفلي كما هو موضح في الشكل التوضيحي.



4- إذا ظل المصباح معطلاً عن العمل، قم بإيقاف التشغيل من مقبس منفذ الحائط وانزع القابس الرئيسي. استبدل المصباح بمصباح جديد 15 وات (كحد أقصى) مسمار من نوع (SES).

5- تخلص بحذر من مصباح الإضاءة المحروق على الفور.

يمكنك استبدال مصباح الإضاءة بسهولة من متجر أدوات كهربائية محلي أو متجر الأغراض الشخصية.

تغيير اتجاه فتحة الباب

يمكن تغيير اتجاه فتحة باب الثلاجة طبقاً لمكان الاستخدام. إذا كان ذلك ضرورياً، فيرجى الاتصال بأقرب مركز صيانة معتمد لديك.

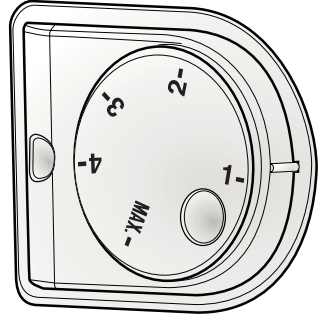
تحذير فتح الباب

يُسمع صوت تحذير عندما يكون باب صندوق الفريزر أو الثلاجة مفتوحاً لفترة زمنية معينة. سيصمت هذا الصوت عند الضغط على أي زر على المؤشر أو عندما يتم إغلاق الباب.

- i** يجب تركيب الثلاجة على بعد 30 سم على الأقل من مصادر الحرارة مثل المواقد والأفران والسخان المركزي والمواقد وعلى بعد 5 سم على الأقل من الأفران الكهربائية ويجب عدم وضعها في ضوء الشمس المباشر.
- i** يجب أن تكون درجة الحرارة المحيطة للغرفة التي توضع فيها الثلاجة 10 درجة مئوية على الأقل. ولا يُوصى بتشغيل الثلاجة في ظروف درجة حرارة أقل من ذلك تحقيقاً لكفاءتها.
- i** يُرجى التأكد من تنظيف الثلاجة من الداخل بعناية.
- i** إذا كنت بصدد تركيب ثلاجتين جنباً إلى جنب، فيجب المباعدة بينهما بمسافة 2 سم على الأقل.
- i** عند تشغيل الثلاجة للمرة الأولى، يُرجى مراعاة التعليمات التالية أثناء الساعات الستة الأولى.
- يجب عدم فتح الباب بصورة متكررة.
 - يجب تشغيلها وهي خاوية بدون أي أطعمة داخلها.
 - لا تنزع قابس التيار الكهربائي للثلاجة. إذا توقف التيار الكهربائي رغماً عنك، فيرجى قراءة التحذيرات الواردة في قسم "حلول مقترحة للمشكلات".
- i** يجب الحفاظ على العبوة الأصلية ومواد التغليف المصاحبة لأغراض النقل المستقبلي أو الانتقال.

الحماية المزدوجة

صحي: يساعد مرشح الروائح الموجود في قناة هواء صندوق الثلاجة على تنظيف الهواء الموجود بداخلها. يقلل المرشح تكوين الرائحة الكريهة بواسطة الحشو الموجود به.



زر ضبط درجة الحرارة

يسمح لك زر ضبط درجة الحرارة بضبط درجة الحرارة للثلاجة.

ضبط درجة حرارة الثلاجة.

يتم الضبط العام لدرجة حرارة الثلاجة، المكونة من صندوق الثلاجة وصندوق الفريزر بواسطة زرر ضبط درجة الحرارة الموجود أعلى الرف العلوي لصندوق الثلاجة. يوجد بهذا الزر 5 أوضاع ضبط درجة حرارة مختلفة. اختر الوضع المناسب لحاجاتك.

نظام التبريد المزدوج

الثلاجة مزودة بنظامي تبريد منفصلين لتبريد صندوق الطعام الطازج وصندوق الفريزر. وبالتالي فإن الهواء في صندوق الطعام الطازج وصندوق الفريزر لا يختلطان. وذلك لأن نظامي التبريد المنفصلين أفضل بكثير من التلاجات الأخرى. كما أن الرائحة داخل الصندوقين لا تختلط أيضا. كما أن هناك أيضا ميزة توفير الطاقة الإضافية، نظرا لأن عمليات إزالة التجميد التلقائية مستقلة.

نظام التبريد المزدوج

- الثلجة مزودة بنظامي تبريد منفصلين لتبريد صندوق الطعام الطازج وصندوق الفريزر. وبالتالي فإن الهواء في صندوق الطعام الطازج وصندوق الفريزر لا يختلطان. وذلك لأن نظامي التبريد المنفصلين أفضل بكثير من الثلجات الأخرى. كما أن الرائحة داخل الصندوقين لا تختلط أيضاً. كما أن هناك أيضاً ميزة توفير الطاقة الإضافية، نظراً لأن عمليات إزالة التجميد التلقائية مستقلة
- قم بتغليف أو تغطية الطعام قبل وضعه في الثلجة. يجب تبريد الطعام الساخن إلى درجة حرارة الغرفة قبل وضعه في الثلجة.
- يجب أن يكون الطعام المراد تجميده جيداً وطازجاً. يجب تقسيم الأطعمة إلى أجزاء طبقاً للاستهلاك اليومي للعائلة أو الوجبة اليومية.
- * يجب تعبئة الأطعمة بطريقة محكمة لمنع جفاف أي منها إذا كانت ستُحفظ لوقت قصير.
- يجب أن تكون المواد المستخدمة في التعبئة ضد القطع ومقاومة للبرد والرطوبة والرائحة والزيوت والأحماض كما يجب أن تكون محكمة الهواء. وبالإضافة إلى ذلك، يجب أن تكون هذه المواد مغلقة ومصنوعة من مواد سهلة الاستخدام ومناسبة للاستخدام في الديب فريزر.
- يجب استخدام الطعام المجمد مباشرة بعد إذابته، كما يجب عدم إعادة تجميده مطلقاً.
- يرجى اتباع التعليمات الآتية للحصول على أفضل النتائج.
- 1. لا تقم بتجميد كميات كبيرة من الطعام مرة واحدة في نفس الوقت. يتم الاحتفاظ بجودة الطعام بشكل أفضل عند تجميده بطريقة صحيحة بالكامل في أسرع وقت ممكن.
- 2. يتسبب وضع الطعام دافئ في تجويف الفريزر إلى عمل نظام التبريد باستمرار حتى يتم تجميد الطعام وجعله صلباً.
- 3. توخ الحذر جيداً لعدم خلط الأطعمة المجمدة فعلياً بالأطعمة الطازجة.

توضيحات	ضبط درجة حرارة صندوق التلاجة	ضبط درجة حرارة الفريزر
يحبب لكتش به صوملا طبضلا وه اذه.	تبيونم مجرد 4	تبيونم مجرد 18-
تجرد 30 تطيحما قةرحلا مجرد زواجنت امدنع اهدب صوملا طبضلا تااداعا يه مده تبيونم.	تبيونم مجرد 4	24- و 22- و 20- تبيونم مجرد
اهعضو يلا مجلاتا مجردت ريصق تقو يه فاعطلا ديمجت يه بغرت امدنع اذه دختسا تيلعلا مده يهنتد امدنع قباسلا.	تبيونم مجرد 4	عيرسلا ديمجتلا
حتقلا و اتخاسلا فورظلا بسبب تيفاك تجرد درابريغ مجلاتا قوندصن ا تدقتعا اذا هيقلا مده يه طبضلا نكميف ماهقلاغ و اباوبلا رركتملا.	تبيونم مجرد 2	تبيونم مجرد 18- لقا و
ماعطلا ديربت يه بغرت امدنع و دنار لمد اذ مجلاتا قوندصن و كوامدنع اهداخستنا نكميف اهدب ماعطلا عضو لبق تااعاد 8 يلا 4 نماعيرسلا ديربتلا تفيظو طيشنتب ي صود. اعرسيد.	عيرسلا ديربتلا	تبيونم مجرد 18- لقا و

توصيات المحافظة على الأطعمة المجمدة

- يجب حفظ الأطعمة المجمدة التجارية مسبقة التعبئة وفقاً للإرشادات مصنع الطعام المجمد بالنسبة لصندوق حفظ الطعام المجمد *** * (4 نجوم).
- لضمان المحافظة على أفضل جودة لدى جهة تصنيع الطعام المجمد والبائع؛ يجب تذكر ما يلي:
 1. توضع العبوات في الفريزر بأسرع ما يمكن بعد الشراء.
 2. تأكد من أن المحتويات ملصقة على العبوة ومدون عليها التاريخ.
 3. يجب عدم تجاوز تاريخ 'استخدام حتى' أو 'يفضل قبل' على العبوة.

إزالة الثلج

يقوم تجويف الفريزر بإزالة الثلج بشكل تلقائي.

وضع الطعام

لثم عونتم دمج ماعط ميركس يلاو كيمسلاو مجلاا. خلا تاورضخاو	زريرفلا قوندص ففرا
ضرببلا	ضرببلا جرد
قاعقم قباطو تايلمع يه فاعطلا تاقلم ببلعو.	مجلاتا قوندص ففرا
تاابورشم و أفالغم و ألبلة ماعط (مكاوفا رناصو نيللا لثم)	مجلاتا قوندص باب ففرا
تهكافاو تاورضخاو	جرد
نجللا) تيلعلا تمعطلا تااجنته (خلا... يلاسلاو ديزلاو	ماعطلا تقطن قوندص جزاطلا

معلومات التجميد العميق

يجب تجميد الطعام بأسرع ما يمكن عند وضعه في التلاجة للحفاظ على جودته.

يتطلب قانون TSE (وفقاً لظروف قياس معينة)

الثلجة أن تجمد 4.5 كجم من الطعام عند درجة

حرارة 32 درجة مئوية إلى 18- درجة مئوية أو أقل

في خلال 24 ساعة لكل 100 لتر من حجم الفريزر.

يمكن الحفاظ على الطعام لفترة أطول فقط عند درجة

حرارة 18- درجة مئوية أو درجات حرارة أقل.

يمكن الحفاظ على طازجة الطعام لشهور عديدة (عند

درجة حرارة 18- أو أقل في الديب فريزر.)

تحذير ! ⚠

• يجب تقسيم الأطعمة إلى أجزاء طبقاً للاستهلاك

اليومي للعائلة أو الوجبة اليومية.

• يجب تغليف الأطعمة بطريقة محكمة لمنع جفاف أي

منها إذا كانت ستُحفظ لوقت قصير.

المواد الضرورية للتعبئة.

• شريط لاصق مقاوم للبرد

• شريط لاصق ذاتي

• حلقات مطاطية

• قلم

يجب أن تكون المواد المزمع استخدامها لتعبئة الطعام

مقاومة للقطع وللبرد والرطوبة والزيوت والأحماض.

يجب عدم ملامسة الأطعمة المزمع تجميدها للمواد

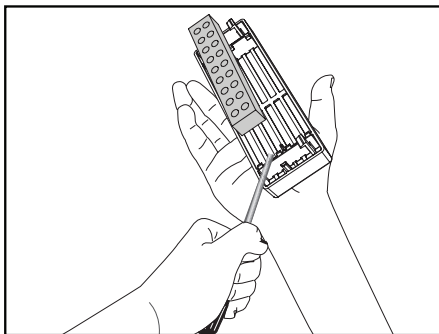
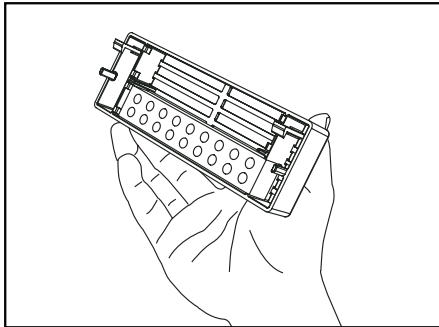
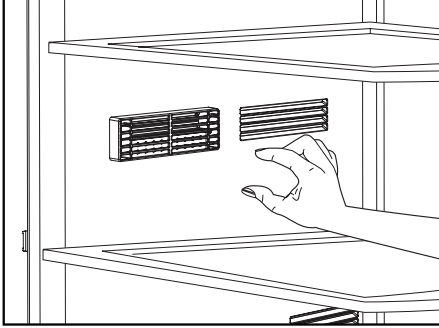
المنذبة سابقاً لمنع الإذابة الجزئية.

يجب استخدام الطعام المجمد مباشرة بعد إذابته، كما

يجب عدم إعادة تجميده مطلقاً.

وظيفة الأجازات

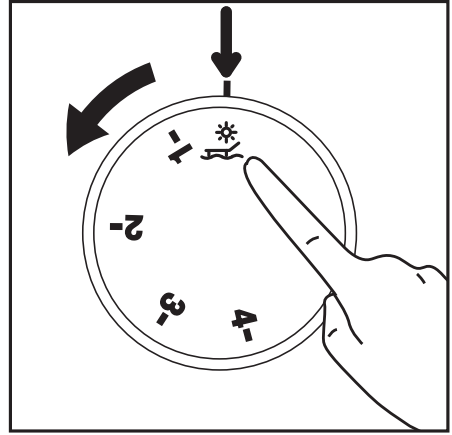
مرشح الروائح
يساعد مرشح الروائح الموجود في قناة هواء
صندوق الثلاجة على تنظيف الهواء الموجود
بداخلها.



إذا لم يتم فتح أبواب المنتج لمدة 12 ساعة على أعلى
وضع درجة حرارة، فسيتم تشغيل وظيفة الأجازات
تلقائياً.

قم بفتح باب المنتج أو قم بتغيير إعدادات مقياس درجة
الحرارة لإلغاء هذه الخاصية.

خاصية الأجازات اختيارية. قد تختلف وفقاً لنوع
المنتجات وقد لا تكون موجودة في كل منتج.
لا ينصح بتخزين الطعام أثناء تفعيل خاصية
الأجازات.



i الأشكال الواردة في دليل التعليمات هذا هي رسومات
بيانية وقد لا تتطابق تماماً مع المنتج. إذا لم تكن هذه
القطع واردة في هذا الجهاز الذي اشتريته، فإنها
مناسبة لأنواع أخرى.

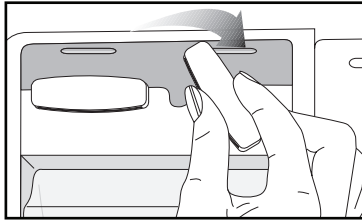
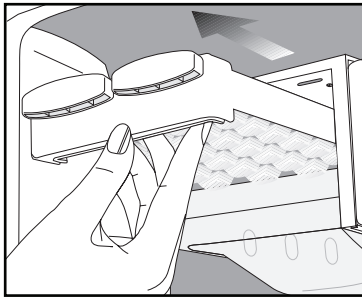
وحدة صنع الثلج وصندوق تخزين الثلج

استخدام وحدة صنع الثلج

- * أملء جهاز عمل الثلج بالمياه وضعه في مكانه.
- * سيتم إعداد الثلج في حوالي ساعتين تقريبًا. لا تخرج صندوق الثلج من مكانه لإخراج الثلج.
- * أدر المقابض باتجاه عقارب الساعة كما هو موضح في الشكل.
- * ستسقط مكعبات الثلج في خزان الثلج أدناه.
- * يمكن إخراج خزان الثلج وتقديم مكعبات الثلج.
- * يمكن الاحتفاظ بمكعبات الثلج في خزان الثلج إذا أردت.

صندوق تخزين الثلج

- فخزان الثلج مخصص فقط لتجميع مكعبات الثلج. لا تضع ماء فيه. وإلا فيكسر.

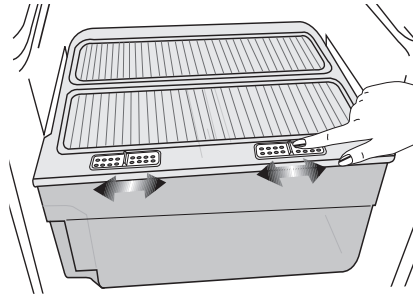


مزيج التحكم في الرطوبة في الدرج

استخدام مزيج التحكم في الرطوبة في الدرج تم تصميم درج الثلاثة خصيصاً بحيث يحتفظ بالخضروات طازجة دون فقدان رطوبتها. يتم توزيع الهواء البارد بشكل أساسي حول الدرج، كما يتم التحكم في مقدار الهواء البارد الذي يمر من خلال الدرج بواسطة مزاليق بالجانب الأمامي من غطاء الدرج.

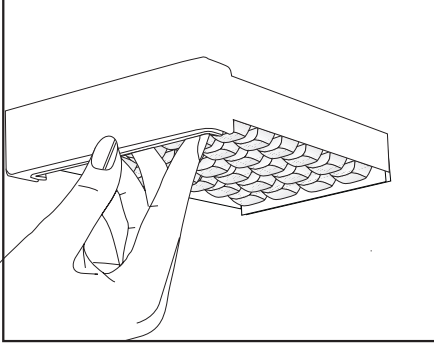
ويمكنك ضبط مزاليق التحكم في الرطوبة على الوضع المناسب طبقاً لحالة الرطوبة والتبريد التي تناسب الطعام الموجود بالدرج.

فإذا رغبت في رفع مستوى تبريد الطعام الموجود بالدرج، افتح فتحات مزاليق التحكم في الرطوبة، وإذا رغبت في تقليل مستوى تبريد الطعام والاحتفاظ به رطباً لفترة أطول، فأغلق تلك الفتحات.



عمل مكعبات الثلج

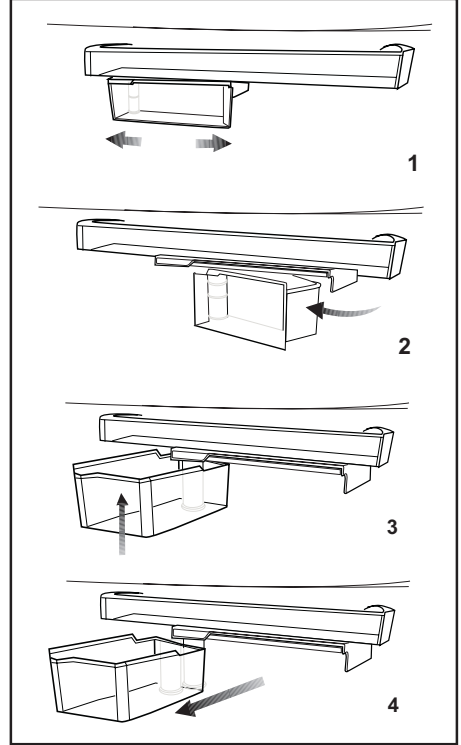
أملء جهاز عمل الثلج بالمياه وضعه في مكانه. سيتم إعداد الثلج في حوالي ساعتين تقريبًا. يمكنك إزالته بسهولة من خلال لف وعاء الثلج



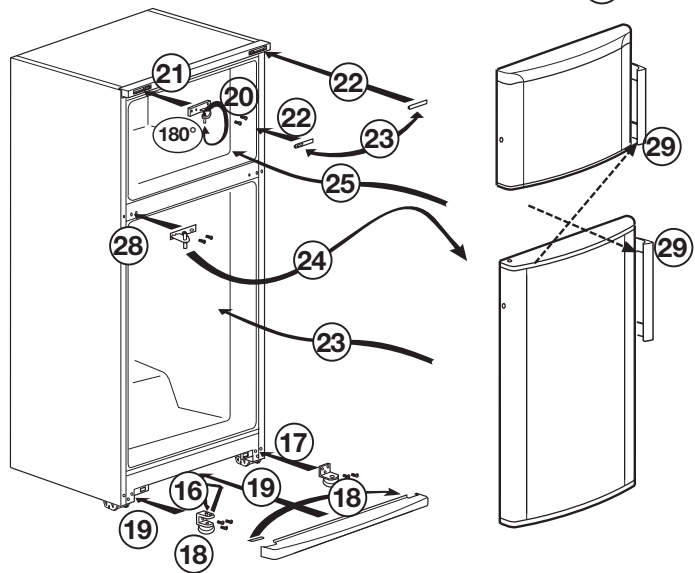
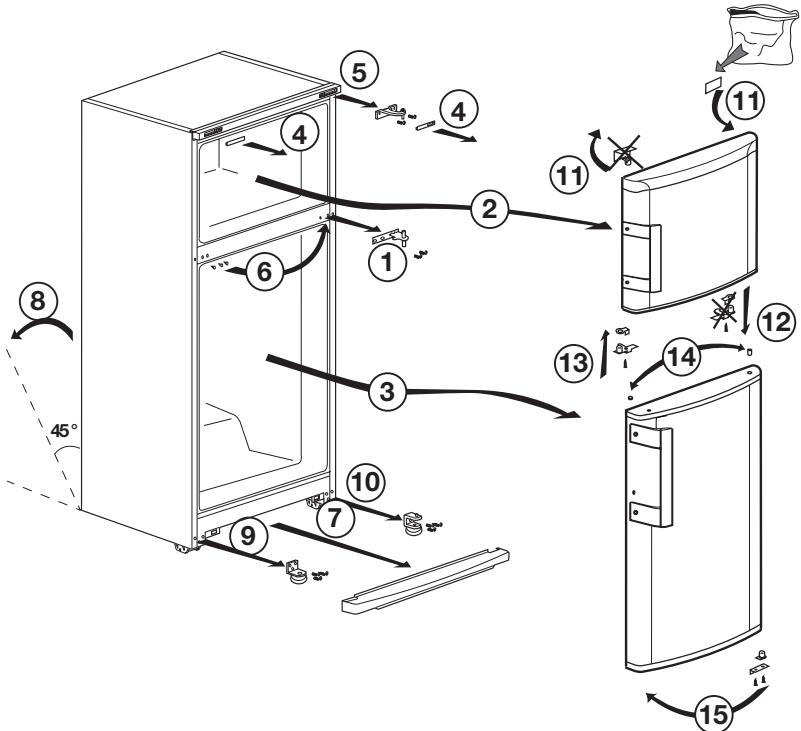
صندوق التخزين الدوار

يمكن تحريك الرف المائل إلى اليسار أو اليمين لإيجاد مكان للزجاجات الطويلة أو المرطبات أو الصناديق في رف منخفض (الشكل 1).

يمكن الوصول إلى الطعام الذي وضعته في الرف بجذبه ولفه من حافته اليمنى (الشكل 2). عندما تريد تحميل الرف أو إخراجه لتنظيفه قم بلفه 90 درجة وارفعه لأعلى واجذبه تجاهك (الشكل 3-4).



عكس الأبواب
 اتبع الترتيب الرقمي



حماية الأسطح البلاستيكية

- لا تضع زيوتاً سائلة أو وجبات مطبوخة بالزيت في الثلاجة في علب غير معزولة، إذ قد تتسبب في تلف الأسطح البلاستيكية للثلاجة. في حالة سكب زيت أو تسربه على الأسطح البلاستيكية، نظف هذا الجزء من واشطفه فوراً بماء فاتر.

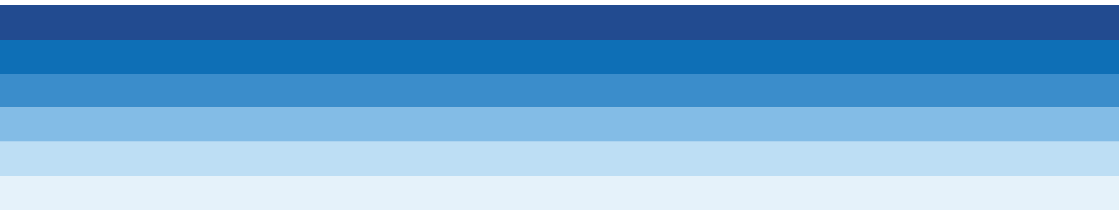
- ⚠ لا تستخدم الجازولين أو البنزين أو أي مواد مشابهة لأغراض التنظيف.
- ⚠ نوصي بفصل الجهاز عن التيار الكهربائي قبل تنظيفه.
- لا تستخدم أبداً أي مواد كاشطة، أو صابون أو منظفات منزلية أو منظفات غسيل أو شمع التلميع عند التنظيف.
- استخدم المياه الفاترة لتنظيف صندوق الثلاجة ثم جففه.
- استخدم قطعة من القماش الملتوية والرطبة مع ملء ملعقة شاي من بيكربونات الصودا مضافة لجالون من الماء لتنظيف الداخل ثم يجفف.
- تأكد من عدم دخول المياه إلى مبيت المصباح وغيره من العناصر الكهربائية.
- إذا كانت الثلاجة لن تستعمل لفترة زمنية طويلة، فافصل كابل التيار الكهربائي ثم أفرغ جميع الأطعمة ثم نظفها واترك الباب مفتوح جزئياً.
- قم بفحص موانع التسرب في الباب بانتظام للتأكد من سلامتهم وخلوهم من رقاقت الطعام.
- لإزالة أرفق الباب، أخرج جميع المحتويات ثم ادفع رف الباب لأعلى بعيداً عن القاعدة.

يرجى مراجعة هذه القائمة قبل الاتصال بمركز الخدمة. فقد يوفر عليك وقتًا ومالًا. تشمل هذه القائمة الشكاوى التي لم تنتج عن عيوب صناعة أو المواد المستخدمة. قد لا تتوافر بعض الميزات الواردة في هذا الدليل في المنتج الخاص بك.

لمعدّ لا تجالثنا
<ul style="list-style-type: none"> • هل الثلاجة متصلة بالتيار الكهربائي؟ توصيل القابيس بمنفذ الكهرباء بالحائط. • هل احترق منصهر القابيس المتصلة به الثلاجة أو المنصهر الرئيسي؟ افحص المنصهر.
تكثف في جانب صندوق الثلاجة. (المنطقة المتعددة، التحكم في التبريد، والمنطقة المرنة)
<ul style="list-style-type: none"> • الظروف المحيطة باردة جدًا. فتح الأبواب وغلقتها بشكل متكرر. الظروف المحيطة عالية الرطوبة. تخزين طعام يحتوي على سائل في أوعية مفتوحة. ترك الباب مفتوح جزئيًا. • تغيير وضع الترموستات إلى الدرجة أكثر برودة. • تقليل الوقت الذي ترك الباب فيه مفتوحًا أو استخدامه بصورة أقل. • تغطية الطعام المخزن في حاويات مفتوحة بمادة مناسبة. • مسح التكثف بقطعة قماش جافة والتحقق من بقائه.
جهاز ضغط الهواء لا يعمل
<ul style="list-style-type: none"> • سينصهر العازل الحراري لجهاز ضغط الهواء أثناء الانقطاع المفاجئ للتيار الكهربائي أو توصيل قابس الثلاجة بالتيار الكهربائي أو فصله. لأن ضغط الثلاجة في نظام تبريد الثلاجة لم يتوازن بعد. • ستبدأ الثلاجة في العمل بعد 6 دقائق تقريبًا. يرجى الاتصال بمركز الصيانة إذا لم تبدأ الثلاجة في العمل بعد انتهاء هذه المدة. • الثلاجة في دورة إزالة الثلج. هذا أمر عادي لكل الثلاجات الأوتوماتيكية التي تزيل الثلج. تحدث عملية إزالة الثلج دوريًا. • الثلاجة غير متصلة بالقابيس. تأكد أن القابيس موضوع بإحكام في مقبس الحائط. • هل تم ضبط درجة الحرارة بشكل صحيح؟ انقطاع التيار الكهربائي. اتصل بشركة الكهرباء.
تعمل الثلاجة بصورة متكررة أو لوقت طويل.
<ul style="list-style-type: none"> • قد تكون الثلاجة الجديدة أكبر من القديمة، هذا شيء طبيعي تمامًا. الثلاجات الكبيرة تعمل لفترات أطول. • قد تكون درجة الحرارة المحيطة عالية، وهذا أمر طبيعي جدًا. • الثلاجة متصلة بالكهرباء منذ قليل أو مليئة بالطعام. قد يستمر تبريد الثلاجة كليًا لساعات أطول. • قد تكون هناك كميات كبيرة من الطعام الساخن تم وضعها في الثلاجة مؤخرًا. يتسبب الطعام الساخن في تشغيل الثلاجة حتى يصل إلى درجة حرارة التخزين الآمنة. • قد تكون الأبواب مفتوحة بصورة متكررة أو مفتوحة جزئيًا لفترة طويلة. يتسبب الهواء الساخن الذي دخل الثلاجة في تشغيل الثلاجة لفترة أطول. افتح الأبواب عددًا أقل من المرات. • قد يكون باب صندوق الفريزر أو الثلاجة مفتوح جزئيًا. تأكد أن الأبواب مغلقة تمامًا. • تم ضبط الثلاجة على درجة باردة جدًا. اضبط درجة حرارة الفريزر على أعلى وانتظر حتى تصل إلى درجة الحرارة المطلوبة. • قد يكون عازل باب الثلاجة أو الفريزر متسخًا أو باليًا أو متهتكًا أو مثبت بطريقة غير صحيحة. نظف العازل أو استبدله. لأن العازل التالف أو المتهتك يتسبب في أن تعمل الثلاجة لفترات أطول للحفاظ على درجة الحرارة الحالية.

درجة حرارة الفريزر منخفضة جدًا بينما درجة حرارة الثلاجة غير كافية.
• تم ضبط الفريزر على درجة باردة جدًا. اضبط درجة حرارة الفريزر على درجة أعلى ثم تأكد ثانية.
درجة حرارة الثلاجة منخفضة جدًا بينما درجة حرارة الفريزر غير كافية.
• تم ضبط الثلاجة على درجة باردة جدًا. اضبط درجة حرارة الثلاجة على درجة أعلى ثم تحقق ثانية.
تجمد الطعام المحفوظ في أدراج صندوق الثلاجة.
• تم ضبط الثلاجة على درجة باردة جدًا. اضبط درجة حرارة الثلاجة على درجة أعلى ثم تحقق ثانية.
درجة حرارة الثلاجة أو الفريزر عالية جدًا.
• تم ضبط الثلاجة على درجة حرارة عالية جدًا. يؤثر ضبط الثلاجة على درجة حرارة الفريزر. غير درجة حرارة الثلاجة أو الفريزر حتى تصل إلى مستوى مناسب.
• قد يكون الباب مفتوح جزئيًا. أغلق الباب تمامًا.
• قد تكون هناك كميات كبيرة من الطعام الساخن تم وضعها في الثلاجة مؤخرًا. انتظر حتى تصل الثلاجة أو الفريزر إلى درجة الحرارة المطلوبة.
• تم توصيل الثلاجة بالكهرباء مؤخرًا. فتبريد الثلاجة تمامًا يستغرق وقتًا بسبب الحجم.
تشبه الضوضاء الناتجة عن الثلاجة صوت الثواني الذي تصدره ساعة.
• تصدر هذه الضوضاء من صمام اللولبي للثلاجة. يعمل هذا الصمام بغرض ضمان تبريد المسار عبر الصندوق والذي يمكن ضبطه على درجات حرارة التبريد أو التجميد. كما أنه يقوم بوظائف التبريد. وهذا أمر طبيعي وليس عيبًا.
ترتفع ضوضاء التشغيل عند تشغيل الثلاجة.
• قد تتغير سمات أداء الثلاجة تبعًا للتغيرات في درجة الحرارة المحيطة بالثلاجة. وهذا طبيعي ولا يعد ذلك عيبًا.
اهتزازات أو ضوضاء.
• الأرض ليست مستوية أو ليست صلبة. تهتز الثلاجة عند تحريكها ببطء. تأكد من أن الأرض مستوية وقوية وتحمل الثلاجة.
• قد يصدر صوت من الأشياء الموضوعة على الثلاجة يجب إزالة هذه الأشياء من على سطح الثلاجة.
تصدر ضوضاء مثل صوت انسكاب سائل أو رشه.
• تنساب السوائل والغازات وفقا لقواعد تشغيل الثلاجة. وهذا طبيعي ولا يعد ذلك عيبًا.
تحدث ضوضاء شبيهة بصفير الرياح.
• تستخدم منسحات الهواء (المراوح) للسماح للثلاجة بالتبريد بشكل فعال. وهذا طبيعي ولا يعد ذلك عيبًا.
تكاثف في الحوائط الداخلية للثلاجة.
• يزيد الطقس الحار والرطب من التثليج والتكاثف. وهذا طبيعي ولا يعد ذلك عيبًا.
• الأبواب مفتوحة جزئيًا. تأكد أن الأبواب مغلقة تمامًا.
• قد تكون الأبواب مفتوحة بصورة متكررة جدًا أو قد تكون متروكة مفتوحة لفترة طويلة. افتح الأبواب بتكرار أقل.
تحدث الرطوبة في الإطار الخارجي للثلاجة أو بين الأبواب.
• قد يكون الطقس رطبًا. هذا شيء طبيعي جدًا في الأجواء الرطبة. وعندما تكون الرطوبة أقل؛ يختفي التكثف.
توجد رائحة كريهة داخل الثلاجة.

<ul style="list-style-type: none"> • يجب تنظيف الجزء الداخلي من الثلجة . نظف داخل الثلجة بقطعة أسفنجية وماء دافئ أو ماء مكرين. • قد تتسبب بعض الأوعية أو مواد التعبئة في هذه الرائحة. استخدم وعاء مختلف أو مواد تعبئة مختلفة.
الباب (الأبواب) لا يغلق.
<ul style="list-style-type: none"> • عبوات الطعام قد تمنع إغلاق الباب. غير وضع عبوات الطعام التي تعيق الباب. • الثلجة ليست عمودياً تماماً على الأرض وقد تهتز عند تحريكها قليلاً لضبط مسامير الارتفاع. • الأرض ليست مستوية أو قوية. تأكد من أن الأرض مستوية وتحمل الثلجة.
الأدراج عالقة.
<ul style="list-style-type: none"> • قد يكون الطعام ملامساً لسقف الدرج. أعد ترتيب الطعام في الدرج.



57 1201 0000/AA
EN-AR

www.beko.com

Free Manuals Download Website

<http://myh66.com>

<http://usermanuals.us>

<http://www.somanuals.com>

<http://www.4manuals.cc>

<http://www.manual-lib.com>

<http://www.404manual.com>

<http://www.luxmanual.com>

<http://aubethermostatmanual.com>

Golf course search by state

<http://golfingnear.com>

Email search by domain

<http://emailbydomain.com>

Auto manuals search

<http://auto.somanuals.com>

TV manuals search

<http://tv.somanuals.com>