

DN163123

Refrigerator
الثلاجة

BEKO

Please read this manual first!

Dear Customer,

We hope that your product, which has been produced in modern plants and checked under the most meticulous quality control procedures, will provide you an effective service.

For this, we recommend you to carefully read the entire manual of your product before using it and keep it at hand for future references.




This manual

- Will help you use your appliance in a fast and safe way.
- Read the manual before installing and operating your product.
- Follow the instructions, especially those for safety.
- Keep the manual in an easily accessible place as you may need it later.
- Besides, read also the other documents provided with your product.

Please note that this manual may be valid for other models as well.

Symbols and their descriptions

This instruction manual contains the following symbols:

-  Important information or useful usage tips.
-  Warning against dangerous conditions for life and property.
-  Warning against electric voltage.



This product bears the selective sorting symbol for waste electrical and electronic equipment (WEEE).

This means that this product must be handled pursuant to European Directive 2002/96/EC in order to be recycled or dismantled to minimise its impact on the environment. For further information, please contact your local or regional authorities.

Electronic products not included in the selective sorting process are potentially dangerous for the environment and human health due to the presence of hazardous substances.

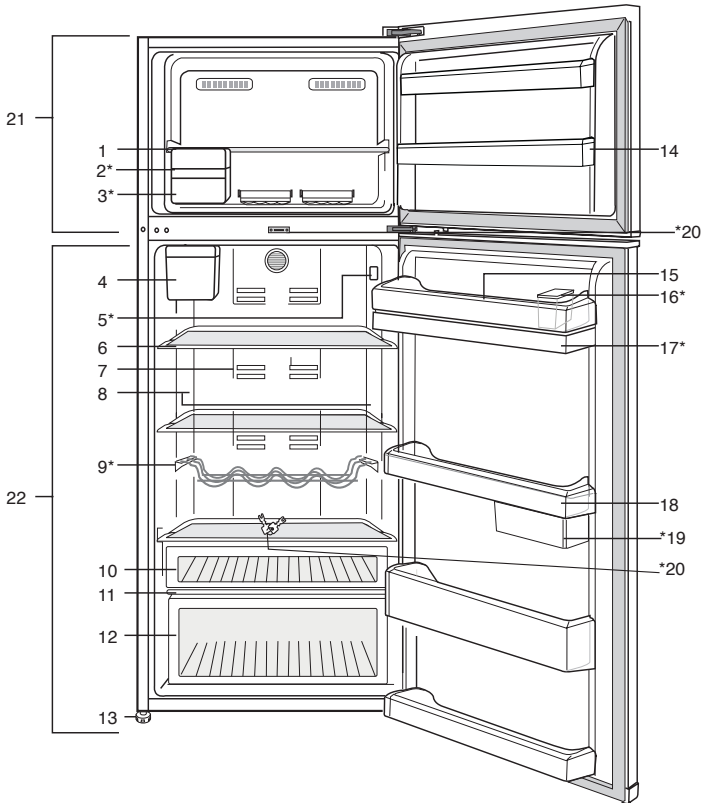


This product was manufactured using the latest technology in environmentally friendly conditions.

CONTENTS

1 The refrigerator	3	4 Preparation	9
2 Important Safety Warnings	4	5 Using your refrigerator	10
Intended use	4	Indicator Panel.....	10
For products with a water dispenser; ..	6	Door Open Warning.....	13
Child safety.....	6	Freezing fresh food	14
HCA Warning	6	Recommendations for preservation of frozen food	15
Things to be done for energy saving ..	6	Placing the food	15
3 Installation	7	Deep-freeze information	16
Points to be considered when re-transporting your refrigerator	7	Description and cleaning of odor filter:	17
Before operating your refrigerator	7	Egg holder.....	17
Adjusting the legs	8	Water Dispenser	18
Electric connection	8	Rotary storage container	20
Disposing of the packaging	8	Blue light	21
Disposing of your old refrigerator	8	Auto Icematic	21
Placing and Installation	8	Icematic and ice storage container ..	22
		6 Maintenance and cleaning	23
		Protection of plastic surfaces	23
		7 Troubleshooting	24

1 The refrigerator



1. Freezer compartment shelf
 2. Auto Icematic
 3. Ice storage container
 4. Auto Icematic water tank
 5. Temperature setting indicator
 6. Adjustable glass shelves
 7. Odor filter
 8. Illumination lens
 9. Bottle shelf
 10. Snack compartment
 11. Crisper cover
 12. Crisper
 13. Adjustable legs
 14. Freezer compartment door racks
 15. Egg holder
 16. Water dispenser filling container
 17. Water dispenser tank
 18. Fridge compartment door shelves
 19. Sliding and rotary storage containers
 20. Key
 21. Freezer compartment
 22. Fridge compartment
- *OPTIONAL**

i Figures that take place in this instruction manual are schematic and may not correspond exactly with your product. If the subject parts are not included in the product you have purchased, then it is valid for other models.

2 Important Safety Warnings

Please review the following information. Failure to observe this information may cause injuries or material damage. Otherwise, all warranty and reliability commitments will become invalid.

The usage life of the unit you purchased is 10 years. This is the period for keeping the spare parts required for the unit to operate as described.

Intended use

This product is intended to be used

- indoors and in closed areas such as homes;
- in closed working environments such as stores and offices;
- in closed accommodation areas such as farm houses, hotels, pensions.
- This product should not be used outdoors.

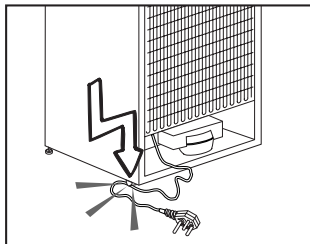
General safety

- When you want to dispose/scrap the product, we recommend you to consult the authorized service in order to learn the required information and authorized bodies.
- Consult your authorized service for all your questions and problems related to the refrigerator. Do not intervene or let someone intervene to the refrigerator without notifying the authorised services.
- For products with a freezer compartment; Do not eat cone ice cream and ice cubes immediately after you take them out of the freezer compartment! (This may cause frostbite in your mouth.)
- For products with a freezer compartment; Do not put bottled and canned liquid beverages in the freezer compartment. Otherwise, these may burst.
- Do not touch frozen food by hand; they may stick to your hand.
- Unplug your refrigerator before cleaning or defrosting.
- Vapor and vaporized cleaning materials should never be used in cleaning and defrosting processes of your refrigerator. In such cases, the vapor may get in contact with the electrical parts and cause short circuit or electric shock.
- Never use the parts on your refrigerator such as the door as a means of support or step.
- Do not use electrical devices inside the refrigerator.
- Do not damage the parts, where the refrigerant is circulating, with drilling or cutting tools. The refrigerant that might blow out when the gas channels of the evaporator, pipe extensions or surface coatings are punctured causes skin irritations and eye injuries.
- Do not cover or block the ventilation holes on your refrigerator with any material.
- Electrical devices must be repaired by only authorised persons. Repairs performed by incompetent persons create a risk for the user.
- In case of any failure or during a maintenance or repair work, disconnect your refrigerator's mains supply by either turning off the relevant fuse or unplugging your appliance.
- Do not pull by the cable when pulling off the plug.
- Place the beverage with higher proofs tightly closed and vertically.
- Never store spray cans containing flammable and explosive substances in the refrigerator.
- Do not use mechanical devices or other means to accelerate the defrosting

process, other than those recommended by the manufacturer.

- This product is not intended to be used by persons with physical, sensory or mental disorders or unlearned or inexperienced people (including children) unless they are attended by a person who will be responsible for their safety or who will instruct them accordingly for use of the product
- Do not operate a damaged refrigerator. Consult with the service agent if you have any concerns.
- Electrical safety of your refrigerator shall be guaranteed only if the earth system in your house complies with standards.
- Exposing the product to rain, snow, sun and wind is dangerous with respect to electrical safety.
- Contact authorized service when there is a power cable damage to avoid danger.
- Never plug the refrigerator into the wall outlet during installation. Otherwise, risk of death or serious injury may arise.
- This refrigerator is intended for only storing food items. It must not be used for any other purpose.
- Label of technical specifications is located on the left wall inside the refrigerator.
- Never connect your refrigerator to electricity-saving systems; they may damage the refrigerator.
- If there is a blue light on the refrigerator, do not look at the blue light with optical tools.
- For manually controlled refrigerators, wait for at least 5 minutes to start the refrigerator after power failure.
- This operation manual should be handed in to the new owner of the product when it is given to others.
- Avoid causing damage on power cable when transporting the refrigerator. Bending cable may cause fire. Never place heavy objects on power cable. Do

not touch the plug with wet hands when plugging the product.



- Do not plug the refrigerator if the wall outlet is loose.
- Water should not be sprayed directly on inner or outer parts of the product for safety purposes.
- Do not spray substances containing inflammable gases such as propane gas near the refrigerator to avoid fire and explosion risk.
- Never place containers filled with water on top of the refrigerator, otherwise this may cause electric shock or fire.
- Do not overload your refrigerator with excessive amounts of food. If overloaded, the food items may fall down and hurt you and damage refrigerator when you open the door. Never place objects on top of the refrigerator; otherwise, these objects may fall down when you open or close the refrigerator's door.
- As they require a precise temperature, vaccines, heat-sensitive medicine and scientific materials and etc. should not be kept in the refrigerator.
- If not to be used for a long time, refrigerator should be unplugged. A possible problem in power cable may cause fire.
- The plug's tip should be regularly cleaned; otherwise, it may cause fire.
- The plug's tip should be cleaned regularly with a dry cloth; otherwise, it may cause fire.

- Refrigerator may move if adjustable legs are not properly secured on the floor. Properly securing adjustable legs on the floor can prevent the refrigerator to move.
- When carrying the refrigerator, do not hold it from door handle. Otherwise, it may be snapped.
- When you have to place your product next to another refrigerator or freezer, the distance between devices should be at least 8cm. Otherwise, adjacent side walls may be humidified.

For products with a water dispenser;

Pressure of water mains should be minimum 1 bar. Pressure of water mains should be maximum 8 bars.

- Use only potable water.

Child safety

- If the door has a lock, the key should be kept away from reach of children.
- Children must be supervised to prevent them from tampering with the product.

HCA Warning

If your product's cooling system contains R600a:

This gas is flammable. Therefore, pay attention to not damaging the cooling system and piping during usage and transportation. In the event of damage, keep your product away from potential fire sources that can cause the product catch a fire and ventilate the room in which the unit is placed.

Ignore this warning if your product's cooling system contains R134a.

Type of gas used in the product is stated in the type plate which is on the left wall inside the refrigerator.

Never throw the product in fire for disposal.

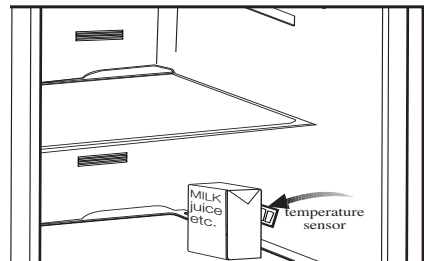
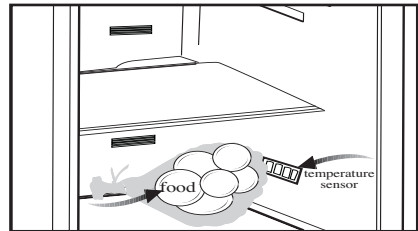
Things to be done for energy saving

- Do not leave the doors of your refrigerator open for a long time.
- Do not put hot food or drinks in your refrigerator.
- Do not overload your refrigerator so that the air circulation inside of it is not prevented.
- Do not install your refrigerator under direct sunlight or near heat emitting appliances such as ovens, dishwashers or radiators.
- Pay attention to keep your food in closed containers.
- For products with a freezer compartment; You can store maximum amount of food items in the freezer when you remove the shelf or drawer of the freezer. Energy consumption value stated for your refrigerator has been determined by removing freezer shelf or drawer and under maximum load. There is no harm to use a shelf or drawer according to the shapes and size of food to be frozen.
- Thawing frozen food in fridge compartment will both provide energy saving and preserve the food quality.


Reccomendations for freshfood compartment

* OPTIONAL

- Please do not let any foodstuff to come to contact with the temperature sensor in freshfood compartment. In order to maintain freshfood compartment at ideal storage temperature, the sensor must not be blocked by fodstuffs.
- Do not place hot foodstuff in your appliance.



3 Installation

 Please remember that the manufacturer shall not be held liable if the information given in the instruction manual is not observed.

Points to be considered when re-transporting your refrigerator

1. Your refrigerator must be emptied and cleaned prior to any transportation.
2. Shelves, accessories, crisper and etc. in your refrigerator must be fastened securely by adhesive tape against any jolt before repackaging.
3. Packaging must be tied with thick tapes and strong ropes and the rules of transportation printed on the package must be followed.

Please do not forget...

Every recycled material is an indispensable source for the nature and for our national resources.

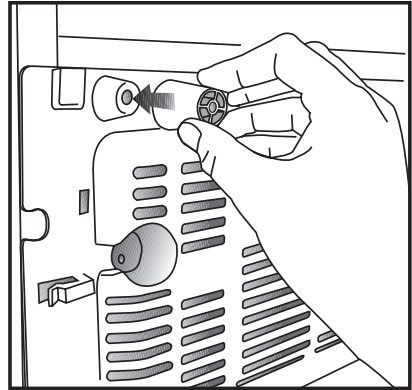
If you wish to contribute to recycling the packaging materials, you can get further information from the environmental bodies or local authorities.

Before operating your refrigerator

Before starting to use your refrigerator check the following:

1. Is the interior of the refrigerator dry and can the air circulate freely in the rear of it?

2. Please install the 2 plastic wedges as illustrated in the figure. Plastic wedges will provide the required distance between your refrigerator and the wall in order to allow the air circulation. (The illustrated figure is only an example and does not match exactly with your product.)



3. Clean the interior of the refrigerator as recommended in the "Maintenance and cleaning" section.
4. Plug the refrigerator into the wall outlet. When the fridge door is open, the fridge compartment interior light will come on.
5. You will hear a noise as the compressor starts up. The liquid and gases sealed within the refrigeration system may also give rise to noise, even if the compressor is not running and this is quite normal.
6. Front edges of the refrigerator may feel warm. This is normal. These areas are designed to be warm to avoid condensation.

Electric connection

Connect your product to a grounded socket which is being protected by a fuse with the appropriate capacity.

Important:

- The connection must be in compliance with national regulations.
- The power cable plug must be easily accessible after installation.
- The specified voltage must be equal to your mains voltage.
- Extension cables and multiway plugs must not be used for connection.

⚠ A damaged power cable must be replaced by a qualified electrician.

⚠ Product must not be operated before it is repaired! There is danger of electric shock!

Disposing of the packaging

The packing materials may be dangerous for children. Keep the packing materials out of the reach of children or dispose them of by classifying them in accordance with the waste instructions. Do not dispose them of along with the normal household waste.

The packing of your refrigerator is produced from recyclable materials.

Disposing of your old refrigerator

Dispose of your old refrigerator without giving any harm to the environment.

- You may consult your authorised dealer or waste collection center of your municipality about the disposal of your refrigerator.

Before disposing of your refrigerator, cut out the electric plug and, if there are any locks on the door, make them inoperable in order to protect children against any danger.

Placing and Installation

⚠ If the entrance door of the room where the refrigerator will be installed is not wide enough for the refrigerator to pass through, then call the authorised service to have them remove the doors of your refrigerator and pass it sideways through the door.

1. Install your refrigerator to a place that allows ease of use.

2. Keep your refrigerator away from heat sources, humid places and direct sunlight.

3. There must be appropriate air ventilation around your refrigerator in order to achieve an efficient operation. If the refrigerator is to be placed in a recess in the wall, there must be at least 5 cm distance with the ceiling and at least 5 cm with the wall. If the floor is covered with a carpet, your product must be elevated 2.5 cm from the floor.

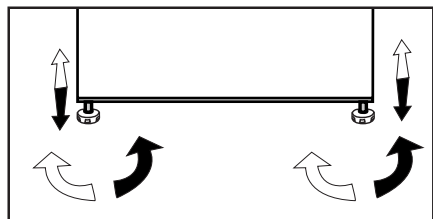
4. Place your refrigerator on an even floor surface to prevent jolts.

5. Do not keep your refrigerator in ambient temperatures under 10°C.

Adjusting the legs

If your refrigerator is unbalanced;

You can balance your refrigerator by turning the front legs of it as illustrated in the figure. The corner where the leg exists is lowered when you turn in the direction of black arrow and raised when you turn in the opposite direction. Taking help from someone to slightly lift the refrigerator will facilitate this process.



4 Preparation

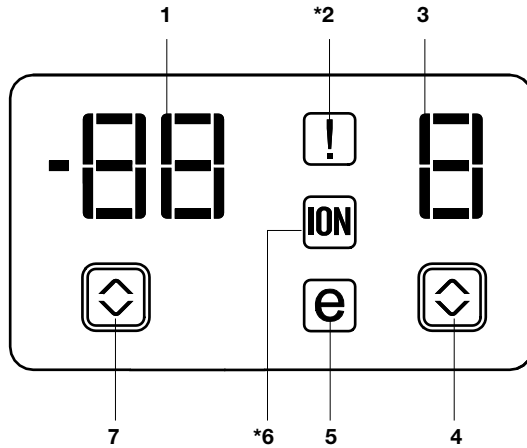
- i** Your refrigerator should be installed at least 30 cm away from heat sources such as hobs, ovens, central heater and stoves and at least 5 cm away from electrical ovens and should not be located under direct sunlight.
- i** The ambient temperature of the room where you install your refrigerator should at least be 10°C. Operating your refrigerator under cooler conditions is not recommended with regard to its efficiency.
- i** Please make sure that the interior of your refrigerator is cleaned thoroughly.
- i** If two refrigerators are to be installed side by side, there should be at least 2 cm distance between them.
- i** When you operate your refrigerator for the first time, please observe the following instructions during the initial six hours.
 - The door should not be opened frequently.
 - It must be operated empty without any food in it.
 - Do not unplug your refrigerator. If a power failure occurs out of your control, please see the warnings in the “Recommended solutions for the problems” section.
- i** Original packaging and foam materials should be kept for future transportations or moving.

5 Using your refrigerator

Indicator Panel

Indicator panels may vary depending on your product's model.

Indicator panel aids in using your refrigerator with its audio and visual functions.



1. Freezer Compartment Temperature Indicator
2. Error Status Indicator
3. Fridge Compartment Temperature Indicator
4. Fridge Compartment Temperature Setting Button
5. Economy Mode Indicator
6. Ioniser Indicator
7. Freezer Compartment Temperature Setting Button

1. Freezer Compartment Temperature Indicator

It indicates the temperature set for Freezer compartment.

2. Error Status Indicator

If your refrigerator does not cool adequately or if there is a sensor failure, this indicator will be activated. When this indicator is active, Freezer Compartment Temperature indicator will display "e" and Fridge Compartment Temperature Indicator will display numbers such as "1,2,3...". These numbers on the indicator provides information about the error to the service personnel.

3. Fridge Compartment Temperature Indicator

Indicates the temperature set for Fridge compartment.

4. Fridge Compartment Temperature Setting Button

Press this button to set the temperature of the fridge compartment to 8, 6, 4, 2, 8... respectively. Press this button to set the desired temperature for the fridge compartment.

5. Economy Mode Indicator

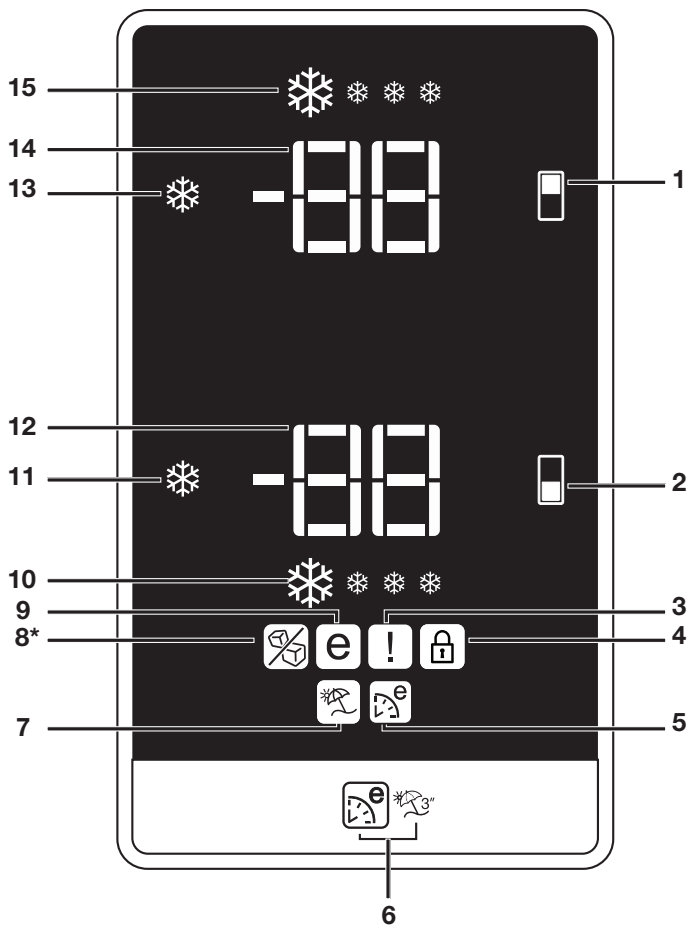
Indicates that the refrigerator is running in energy-efficient mode.

6. Ioniser Indicator

Indicator light lights up continuously. This light indicates that your refrigerator is protected against the bacteria.

7. Freezer Compartment Temperature Setting Button

Press this button to set the temperature of the freezer compartment to -18, -20, -22, -24, -18... respectively. Press this button to set the desired temperature for the freezer compartment.



- | | |
|---|--|
| <ul style="list-style-type: none"> 1. Freezer compartment setting / Icematic on-off button 2. Fridge compartment setting button 3. Error status indicator 4. Key lock indicator 5. Eco Extra Function indicator 6. Eco Extra/Vacation Button 7. Vacation function indicator 8. Icematic off indicator (*in some models) | <ul style="list-style-type: none"> 9. Economic usage indicator 10. Quick fridge function indicator 11. Quick fridge function button 12. Fridge compartment temperature setting indicator 13. Quick freeze function button 14. Freezer compartment temperature setting indicator 15. Quick freeze function indicator |
|---|--|

1. Freezer Compartment Setting / Icematic On-Off Button

This function allows you to make the freezer compartment temperature setting. Press this button to set the temperature of the freezer compartment to -18, -20, -22 and -24 respectively.

To stop ice formation, press Icematic on-off button for 3 seconds. Water flow from water tank will stop when this function is selected. However, ice made previously can be taken from the Icematic. To restart ice formation, press Icematic on-off button for 3 seconds.

2. Fridge Compartment Setting Button

This function allows you to make the fridge compartment temperature setting. Press this button to set the temperature of the fridge compartment to 8, 6, 4, 2 respectively.

3. Error Status Indicator

If your refrigerator does not cool adequately or if there is a sensor failure, this indicator will be activated. When this indicator is active, Freezer Compartment Temperature indicator will display "E" and Fridge Compartment Temperature Indicator will display numbers such as "1,2,3...". These numbers on the indicator provides information about the error to the service personnel.

When you place hot food into the freezer compartment or if you leave the door open for a long time, exclamation mark can illuminate for some time. This is not a failure; this warning will disappear when the food cools down.

4. Key Lock Indicator

Use this function if you do not want your refrigerator temperature setting changed. Press Fridge compartment setting button and Freezer compartment setting button simultaneously for a long time (3 sec) to activate this function.

5. Eco Extra Function Indicator

It indicates that the Eco-Extra function is active.

If this function is active, your refrigerator will automatically detect the least usage periods and energy-efficient cooling will be performed during those times. Economy indicator will be active while energy-efficient cooling is performed.

Press the relevant button again to deactivate this function.

6. Eco Extra/Vacation Button

Press this button briefly to activate the Eco Extra function. Press and hold this button for 3 sec. to activate the Vacation function. Press this button again to deactivate the selected function.

7. Vacation Function Indicator

Indicates that the vacation function is active. If this function is active, "- -" appears on the indicator of the fridge compartment and no cooling is performed in the fridge compartment. Other compartments will be cooled in accordance with the temperature set for them.

Press the relevant button again to deactivate this function.

8. Ice Off indicator

Icematic will not run when the indicator of this function is active. See Item 1 to enable the Icematic.

9. Economy Mode Indicator

Indicates that the refrigerator is running in energy-efficient mode. Freezer Compartment temperature

This indicator will be active if the function is set to -18 or the energy efficient cooling is being performed due to Eco-Extra function.

10. Quick Fridge Indicator

This icon flashes in an animated style when the Quick Fridge function is active.

11. Quick Fridge Function

When you press the Quick Fridge button, the temperature of the compartment will be colder than the adjusted values.

This function can be used for food placed in the fridge compartment and required to be cooled down rapidly.

If you want to cool large amounts of fresh food, it is recommended to active this feature before putting the food into the fridge.

Quick Fridge indicator turns on when the Quick Fridge function is on. To cancel this function press Quick Fridge button again.

If you do not cancel it, Quick Fridge will cancel itself automatically after 4 hours or when the fridge compartment reaches to the required temperature.

This function is not recalled when power restores after a power failure.

12. Fridge Compartment Temperature Setting Indicator

Indicates the temperature set for the Fridge Compartment.

13. Freezer Compartment Temperature Setting Indicator

Indicates the temperature set for the Freezer Compartment.

14. Quick Freeze Function

Quick Freeze indicator turns on when the Quick Freeze function is active. To cancel this function press Quick Freeze button again. Quick Freeze indicator will turn off and return to its normal settings. If you do not cancel it, Quick Freeze will cancel itself automatically after 8 hours or when the freezer compartment reaches to the required temperature.

If you want to freeze large amounts of fresh food, press the Quick Freeze button before putting the food into the freezer compartment.

If you press the Quick Freeze button repeatedly with short intervals, the electronic circuit protection will be activated and the compressor will not start up immediately.

This function is not recalled when power restores after a power failure.

15. Quick Freeze Indicator

This icon flashes in an animated style when the Quick Freeze function is active.

Door Open Warning

(This feature may vary depending on the door of the product and may not exist in some models.)

A audio warning signal will be given when the door of your product is left open for at least 1 minute. This warning will be muted when the door is closed or any of the display buttons (if any) are pressed.

Freezing fresh food

- Wrap or cover the food before placing them in the refrigerator.
 - Hot food must cool down to the room temperature before putting them in the refrigerator.
 - The foodstuff that you want to freeze must be fresh and in good quality.
 - Foodstuff must be divided into portions according to the family's daily or meal based consumption needs.
 - The foodstuff must be packaged in an airtight manner to prevent them from drying even if they are going to be kept for a short time.
 - Materials to be used for packaging must be tear-proof and resistant to cold, humidity, odor, oils and acids and they must also be airtight. Moreover, they must be well closed and they must be made from easy-to-use materials that are suitable for deep freeze usage.
- Frozen food must be used immediately after they are thawed and they should never be re-frozen.
 - Please observe the following instructions to obtain the best results.
 1. Do not freeze too large quantities of food at one time. The quality of the food is best preserved when it is frozen right through to the core as quickly as possible.
 2. Placing warm food into the freezer compartment causes the cooling system to operate continuously until the food is frozen solid.
 3. Take special care not to mix already frozen food and fresh food.

Freezer Compartment Setting	Fridge Compartment Setting	Explanations
-18°C	4°C	This is the normal recommended setting.
-20,-22 or -24°C	4°C	These settings are recommended when the ambient temperature exceeds 30°C.
Quick Freeze	4°C	Use when you wish to freeze your food in a short time. Your refrigerator will return to its previous mode when the process is over.
-18°C or colder	2°C	If you think that your fridge compartment is not cold enough because of the hot conditions or frequent opening and closing of the door.
-18°C or colder	Quick Fridge	You can use it when your fridge compartment is overloaded or if you wish to cool down your food rapidly. It is recommended that you activate quick fridge function 4-8 hours before placing the food.

Recommendations for preservation of frozen food

- Prepacked commercially frozen food should be stored in accordance with the frozen food manufacturer's instructions for a ******** (4 star) frozen food storage compartment.
- To ensure that the high quality achieved by the frozen food manufacturer and the food retailer is maintained, the following should be remembered:
 1. Put packages in the freezer as quickly as possible after purchase.
 2. Ensure that contents are labeled and dated.
 3. Do not exceed "Use By", "Best Before" dates on the packaging.

Defrosting

The freezer compartment defrosts automatically.

Placing the food

Freezer compartment shelves	Various frozen food such as meat, fish, ice cream, vegetables and etc.
Egg holder	Egg
Fridge compartment shelves	Food in pans, covered plates and closed containers
Fridge compartment door shelves	Small and packaged food or drinks (such as milk, fruit juice and beer)
Crisper	Vegetables and fruits
Freshzone compartment	Delicatessen products (cheese, butter, salami and etc.)

Deep-freeze information

Food must be frozen as rapidly as possible when they are put in a refrigerator in order to keep them in good quality.

The TSE norm requires (according to certain measurement conditions) the refrigerator to freeze at least 4.5 kg of foodstuff at 32°C ambient temperature to -18°C or lower within 24 hours for every 100-liters of freezer volume.

It is possible to keep the food for a long time only at -18°C or lower temperatures.

You can keep the freshness of food for many months (at -18°C or lower temperatures in the deep freeze).

WARNING!

- Foodstuff must be divided into portions according to the family's daily or meal based consumption needs.

- Foodstuff must be packaged in an airtight manner to prevent them from drying even if they are going to be kept for a short time.

Materials necessary for packaging:

- Cold resistant adhesive tape
- Self adhesive label
- Rubber rings
- Pen

Materials to be used for packaging the foodstuff must be tear-proof and resistant to cold, humidity, odor, oils and acids.

Foodstuff to be frozen should not be allowed to come in contact with the previously frozen items to prevent their partial thawing.

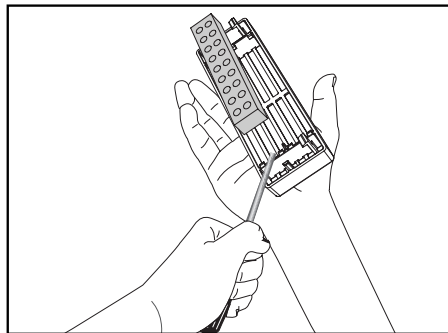
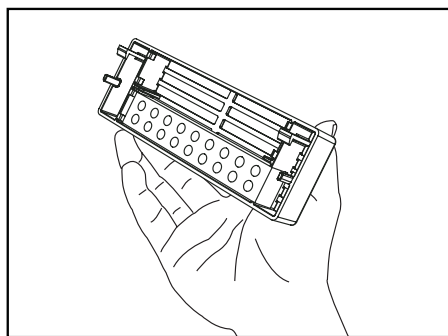
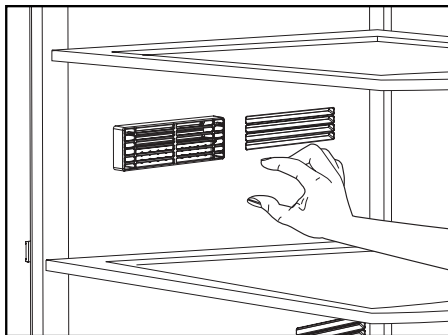
Frozen food must be used immediately after they are thawed and they should never be re-frozen.

Description and cleaning of odor filter:

Odor filter prevents unpleasant odor build-up in your refrigerator.

Pull the cover, into which the odor filter is installed, downwards and remove as illustrated. Leave the filter under sunlight for one day. Filter will be cleaned during this time. Install the filter back to its place.

Odor filter must be cleaned once in a year.



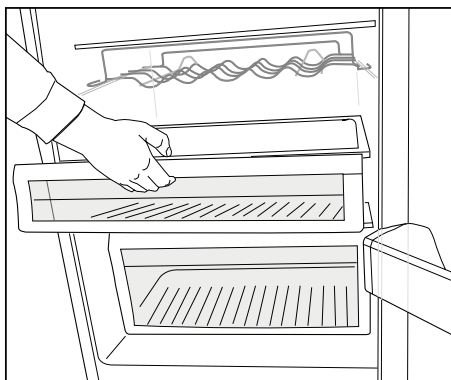
Snack compartments

Use these compartments for your food which you want store at a temperature a few degrees below the fridge compartment.

You can increase the inner volume of your refrigerator by removing any of the snack compartments.

1. Pull the compartment towards yourself until it rests and stops against the stopper.
2. Lift the front section and pull towards yourself to remove the compartment from its seating.

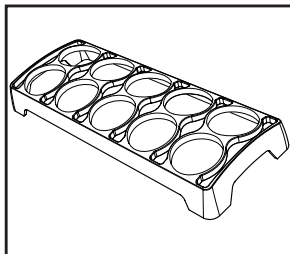
i You can place the food, that you want to freeze, in these compartments in order to prepare them for freezing.



Egg holder

You can install the egg holder to the desired door or body shelf.

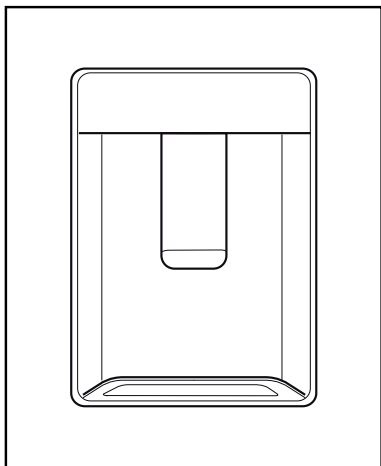
Never store the egg holder in the freezer compartment



Water Dispenser

(in some models)

Water dispenser is a very useful feature based on reaching cold water without opening the door of your refrigerator. As you will not have to open your refrigerator door frequently, you will have saved energy.



Using the water spring

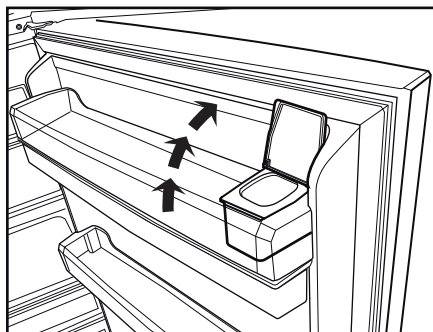
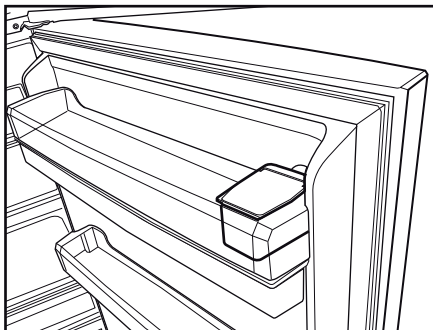
Push the arm of the water dispenser with your glass. The dispenser will cease operating once you release the arm.

When operating the water dispenser, maximum flow can be obtained by pressing the arm fully. Please remember that the amount of flow from the dispenser is subject to the degree you press the arm.

As the level of the water in your glass/container rises, slightly lessen the pressure on the arm to prevent the overspill. If you slightly press the arm, the water will drop; this is quite normal and not a failure.

Filling the water dispenser water tank

Water tank filling reservoir is located inside the door rack. Open the reservoir cover and fill in clean potable water. And then, close the lid.



Warning!

- Do not fill the water tank with any other liquid except for water such as fruit juices, carbonated beverages or alcoholic drinks which are not suitable to use in the water dispenser. Water dispenser will be irreparably damaged if these kinds of liquids are used. Warranty does not cover such usages. Some chemical substances and additives contained in these kinds of drinks/liquids may damage the water tank material.

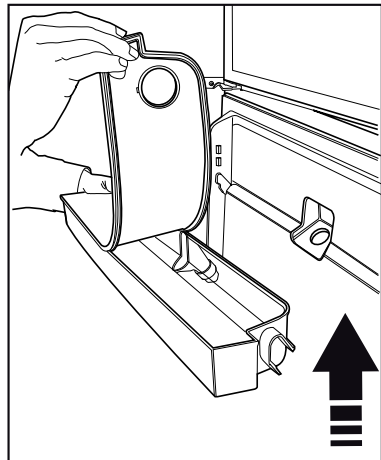
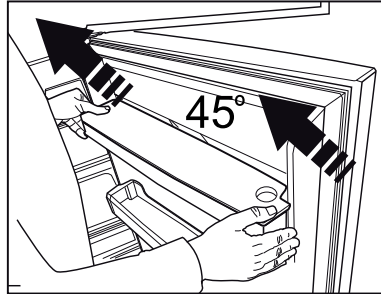
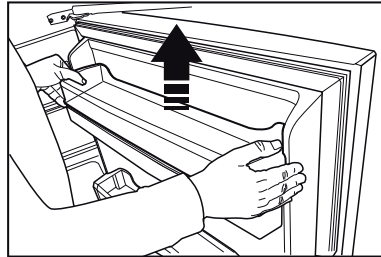
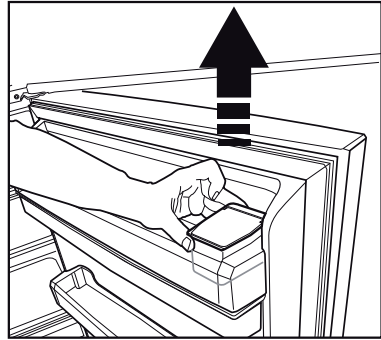
- Use clean and pure potable water only.
- Capacity of the water tank is 3 liters; do not overfill.
- Push the arm of the water dispenser with a rigid glass. If you are using disposable plastic glasses, push the arm with your fingers from behind the glass.

Cleaning the water tank

- Remove the water filling reservoir inside the door rack.
- Remove the door rack by holding from both sides.
- Grab the water tank from both sides and remove it with an angle of 45°.
- Clean the water tank by removing its lid.

Important:

Components of the water tank and water dispenser should not be washed in dishwasher.



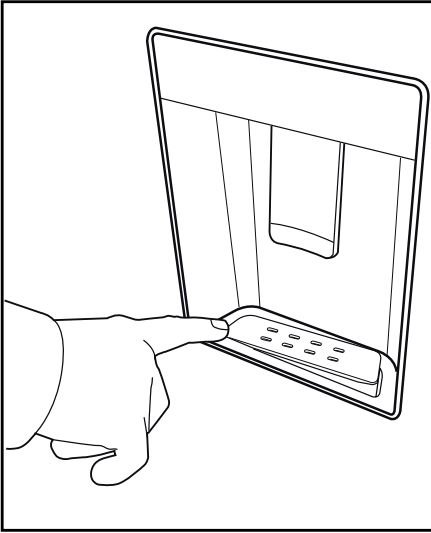
Water tray

Water that dripped while using the water dispenser accumulates in the spillage tray.

Take out the plastic strainer as shown in the figure.

With a clean and dry cloth, remove the water that has accumulated

CAUTION: Connect only to a potable water line.



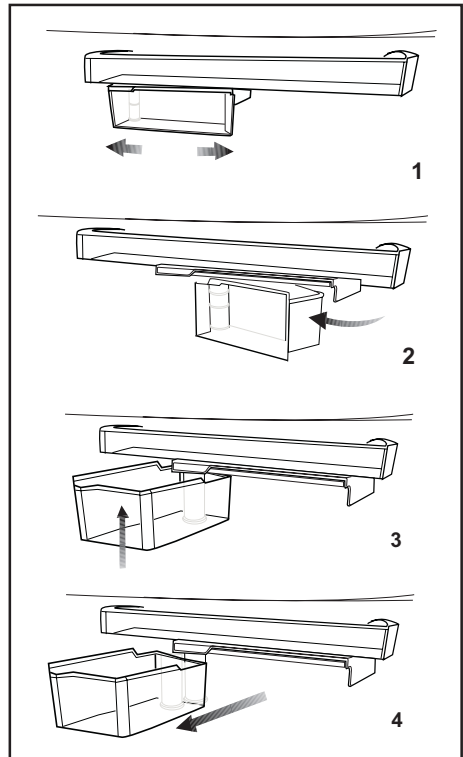
Rotary storage container

(in some models)

Sliding body shelf can be moved to left or right in order to allow you place long bottles, jars or boxes to a lower shelf (Fig. 1)

You can reach the food that you have placed into the shelf by grabbing and turning it from its right edge (Fig.2).

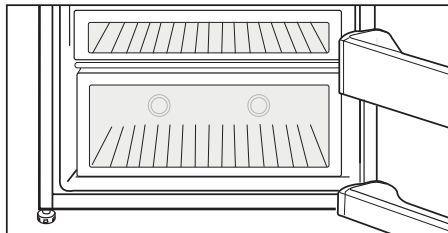
When you want to load or remove it to clean, turn it by 90 degrees, raise it up and pull towards yourself (Fig. 3-4).



Blue light

(in some models)

Foodstuff stored in the crispers that are enlightened with a blue light continue their photosynthesis by means of the wavelength effect of blue light and thus, preserve their freshness and increase their vitamin content.



Auto Icematic

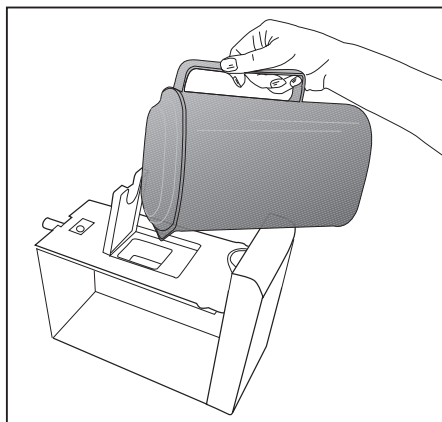
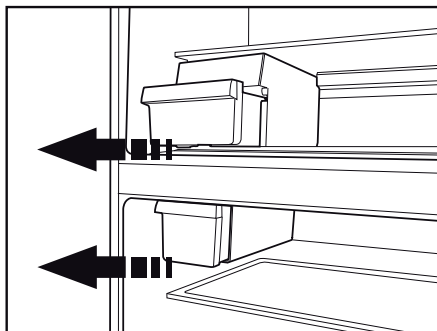
(in some models)

Auto Icematic system allows you to obtain ice from the refrigerator easily. Remove the water tank in the fridge compartment, fill it with water and install it back to obtain ice from the Icematic.

First ice cubes will be ready in approximately 2 hours in the Icematic drawer located in the freezer compartment..

If you fill the water tank completely, you will be able to obtain approximately 60-70 ice cubes.

Change the water in water tank if it has waited around 2-3 weeks.



Icematic and ice storage container

Using the Icematic

Fill the Icematic with water and place it into its seat. Your ice will be ready approximately in two hours. Do not remove the Icematic from its seating to take ice.

Turn the knobs on it clockwise by 90 degrees.

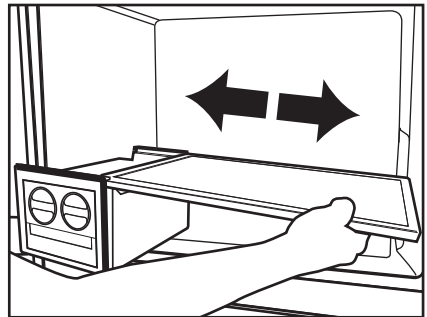
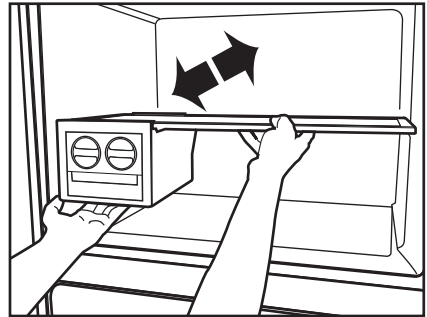
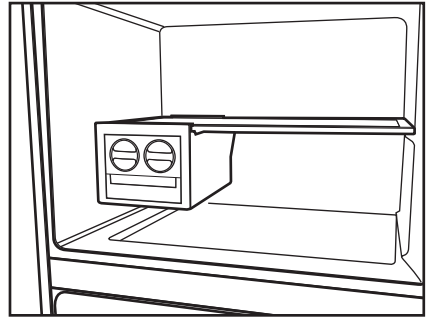
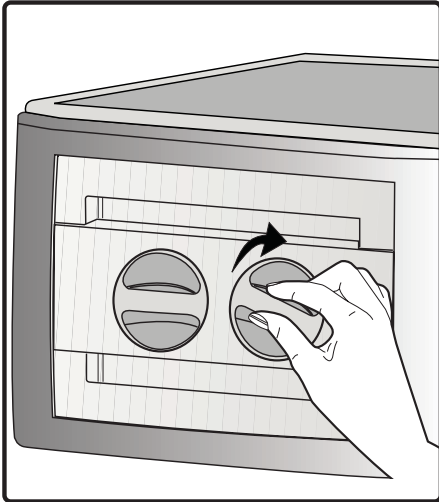
Ice cubes in the cells will fall down into the ice storage container below.

You may take out the ice storage container and serve the ice cubes.

If you wish, you may keep the ice cubes in the ice storage container.

Ice storage container

Ice storage container is only intended for accumulating the ice cubes. Do not put water in it. Otherwise, it will break.



6 Maintenance and cleaning

- ⚠ Never use gasoline, benzene or similar substances for cleaning purposes.
- ⚠ We recommend that you unplug the appliance before cleaning.
- ⚠ Never use any sharp abrasive instrument, soap, household cleaner, detergent and wax polish for cleaning.
- ℹ Use lukewarm water to clean the cabinet of your refrigerator and wipe it dry.
- ℹ Use a damp cloth wrung out in a solution of one teaspoon of bicarbonate of soda to one pint of water to clean the interior and wipe it dry.
- ⚠ Make sure that no water enters the lamp housing and other electrical items.
- ⚠ If your refrigerator is not going to be used for a long period of time, unplug the power cable, remove all food, clean it and leave the door ajar.
- ℹ Check door seals regularly to ensure they are clean and free from food particles.
- ⚠ To remove door racks, remove all the contents and then simply push the door rack upwards from the base.

Protection of plastic surfaces

- ℹ Do not put the liquid oils or oil-cooked meals in your refrigerator in unsealed containers as they damage the plastic surfaces of your refrigerator. In case of spilling or smearing oil on the plastic surfaces, clean and rinse the relevant part of the surface at once with warm water.

7 Troubleshooting

Please review this list before calling the service. It will save your time and money. This list includes frequent complaints that are not arising from defective workmanship or material usage. Some of the features described here may not exist in your product.

The refrigerator does not operate.
<ul style="list-style-type: none">• The plug is not inserted into the socket correctly. >>> <i>Insert the plug into the socket securely.</i>• The fuse of the socket which your refrigerator is connected to or the main fuse have blown out. >>> <i>Check the fuse.</i>
Condensation on the side wall of the fridge compartment (MULTIZONE, COOL CONTROL and FLEXI ZONE).
<ul style="list-style-type: none">• Ambient is very cold. >>> <i>Do not install the refrigerator in places where the temperature falls below 10 °C.</i>• Door has been opened frequently. >>> <i>Do not open and close the door of refrigerator frequently.</i>• Ambient is very humid. >>> <i>Do not install your refrigerator into highly humid places.</i>• Food containing liquid is stored in open containers. >>> <i>Do not store food with liquid content in open containers.</i>• Door of the refrigerator is left ajar. >>> <i>Close the door of the refrigerator.</i>• Thermostat is set to a very cold level. >>> <i>Set the thermostat to a suitable level.</i>
Compressor is not running
<p>i Protective thermic of the compressor will blow out during sudden power failures or plug-out plug-ins as the refrigerant pressure in the cooling system of the refrigerator has not been balanced yet. The refrigerator will start running approximately after 6 minutes. Please call the service if the refrigerator does not startup at the end of this period.</p> <ul style="list-style-type: none">• The refrigerator is in defrost cycle. >>> <i>This is normal for a full-automatically defrosting refrigerator. Defrosting cycle occurs periodically.</i>• The refrigerator is not plugged into the socket. >>> <i>Make sure that the plug is fit into the socket.</i>• Temperature settings are not made correctly. >>> <i>Select the suitable temperature value.</i>• There is a power failure. >>> <i>Refrigerator returns to normal operation when the power restores.</i>
The operation noise increases when the refrigerator is running.
<p>i The operating performance of the refrigerator may change due to the changes in the ambient temperature. It is normal and not a fault.</p>

The refrigerator is running frequently or for a long time.

- i** New product may be wider than the previous one. Larger refrigerators operate for a longer period of time.
- The ambient temperature may be high. >>> *It is normal that the product operates for longer periods in hot ambient.*
 - The refrigerator is plugged in or loaded with food recently. >>> *When the refrigerator is plugged in or loaded with food recently, it will take longer for it to attain the set temperature. This is normal.*
 - Large amounts of hot food may have been put in the refrigerator recently. >>> *Do not put hot food into the refrigerator.*
 - Doors are opened frequently or left ajar for a long time. >>> *The warm air that has entered into the refrigerator causes the refrigerator to run for longer periods. Do not open the doors frequently.*
 - Freezer or fridge compartment door is left ajar. >>> *Check if the doors are closed completely.*
 - The refrigerator is adjusted to a very low temperature. >>> *Adjust the refrigerator temperature to a warmer degree and wait until the temperature is achieved.*
 - Door seal of the fridge or freezer may be soiled, worn out, broken or not properly seated. >>> *Clean or replace the seal. Damaged/broken seal causes the refrigerator to run for a longer period of time in order to maintain the current temperature.*

Freezer temperature is very low while the fridge temperature is sufficient.

- The freezer temperature is adjusted to a very low value. >>> *Adjust the freezer temperature to a warmer degree and check.*

Fridge temperature is very low while the freezer temperature is sufficient.

- The fridge temperature is adjusted to a very low value. >>> *Adjust the fridge temperature to a warmer degree and check.*

Food kept in the fridge compartment drawers are frozen.

- The fridge temperature is adjusted to a very high value. >>> *Adjust the fridge temperature to a lower value and check.*

Temperature in the fridge or freezer is very high.
<ul style="list-style-type: none"> • The fridge temperature is adjusted to a very high value. >>> <i>Fridge compartment temperature setting has an effect on the temperature of the freezer. Change the temperatures of the fridge or freezer and wait until the relevant compartments attain a sufficient temperature.</i> • Doors are opened frequently or left ajar for a long time. >>> <i>Do not open the doors frequently.</i> • Door is ajar. >>> <i>Close the door completely.</i> • The refrigerator is plugged in or loaded with food recently. >>> <i>This is normal. When the refrigerator is plugged in or loaded with food recently, it will take longer for it to attain the set temperature.</i> • Large amounts of hot food may have been put in the refrigerator recently. >>> <i>Do not put hot food into the refrigerator.</i>
Vibrations or noise.
<ul style="list-style-type: none"> • The floor is not level or stable. >>><i>If the refrigerator rocks when moved slowly, balance it by adjusting its legs. Also make sure that the floor is strong enough to carry the refrigerator, and level.</i> • The items put onto the refrigerator may cause noise. >>> <i>Remove the items on top of the refrigerator.</i>
There are noises coming from the refrigerator like liquid flowing or spraying.
i Liquid and gas flows happen in accordance with the operating principles of your refrigerator. It is normal and not a fault.
Whistle comes from the refrigerator.
i Fans are used in order to cool the refrigerator. It is normal and not a fault.
Condensation on the inner walls of refrigerator.
<ul style="list-style-type: none"> i Hot and humid weather increases icing and condensation. It is normal and not a fault. • Doors are opened frequently or left ajar for a long time. >>> <i>Do not open the doors frequently. Close them if they are open.</i> • Door is ajar. >>> <i>Close the door completely.</i>
Humidity occurs on the outside of the refrigerator or between the doors.
i There may be humidity in the air; this is quite normal in humid weather. When the humidity is less, condensation will disappear.

Bad odor inside the refrigerator.

- No regular cleaning is performed. >>> *Clean the inside of the refrigerator regularly with a sponge, lukewarm water or sodium bicarbonate diluted in water.*
 - Some containers or package materials may cause the smell. >>> *Use a different container or different brand packaging material.*
 - Food is put into the refrigerator in uncovered containers. >>> *Keep the food in closed containers. Microorganisms spreading out from uncovered containers can cause unpleasant odors.*
- i** Remove the foods that have expired best before dates and spoiled from the refrigerator.

The door is not closing.

- Food packages are preventing the door from closing. >>> *Replace the packages that are obstructing the door.*
- The refrigerator is not completely even on the floor. >>> *Adjust the legs to balance the refrigerator.*
- The floor is not level or strong. >>> *Make sure that the floor is level and capable to carry the refrigerator.*

Crispers are stuck.

- The food is touching the ceiling of the drawer. >>> *Rearrange food in the drawer.*

يرجى قراءة هذا الدليل أولاً!

عملينا العزيز،




نأمل أن هذا المنتج والذي تم إنتاجه في مصانع حديثة وفحصه بإجراءات صارمة لرقابة الجودة سيقدّم لكم خدمة فعّالة. ولذلك فنحن نوصي بقراءة هذا الدليل بالكامل بعناية قبل استخدامه وحفظه للرجوع إليه في المستقبل.

هذا الدليل

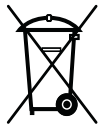
- سيساعدك على استخدام الجهاز بسرعة وبطريقة مأمونة.
- يرجى قراءة هذا الدليل قبل تركيب المنتج وتشغيله.
- يرجى اتباع الإرشادات، خاصةً تلك المتعلقة بالسلامة.
- احتفظ بهذا الدليل في مكان يسهل الوصول إليه عند الحاجة إليه في المستقبل.
- وبالإضافة إلى ذلك، يرجى قراءة المستندات الأخرى المرفقة مع المنتج.
- يرجى ملاحظة أن هذا الدليل قد يكون صالحاً لأنواع أخرى أيضاً.

الرموز ومعانيها.

يحتوي دليل التعليمات هذا على الرموز التالية.

- معلومات مهمة أو تلميحات استخدام مفيدة. 
- التحذير ضد الظروف الخطرة على الحياة والممتلكات. 
- تحذير ضد الفولتية الكهربائية. 

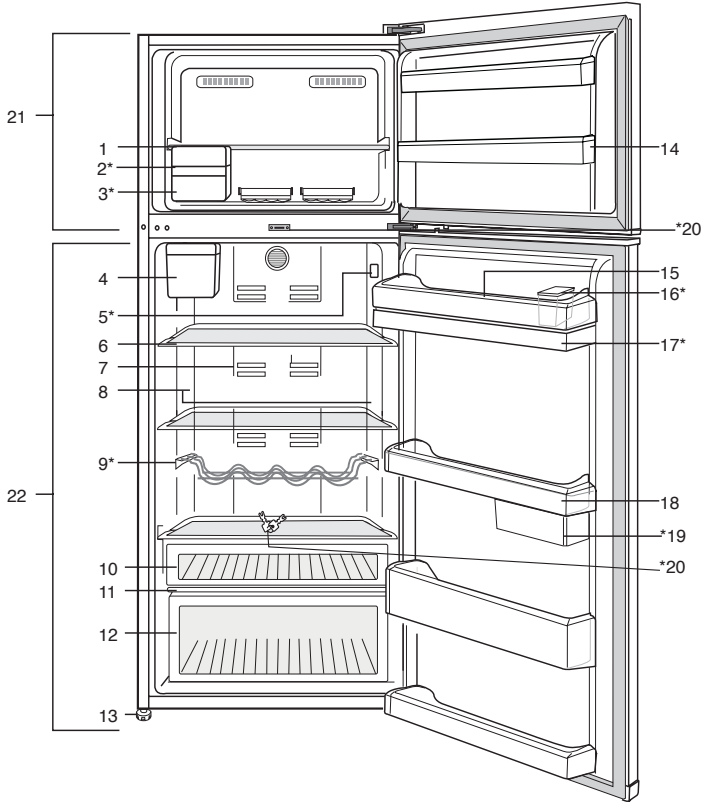
إعادة التصنيع



هذا المنتج يحمل رمز التصنيف الاختياري للمعدات الإلكترونية والكهربائية التي يمكن التخلص منها (WEEE). مما يعني أن هذا المنتج يجب التعامل معه وفقاً للقانون الأوروبي EC/2002/96 لكي يمكن إعادة تصنيعه أو فكه لتقليل أثره على البيئة. للمزيد من المعلومات، يرجى الاتصال بالهيئات المحلية أو الإقليمية.

قد تكون المنتجات الإلكترونية التي لم ترد في العملية التصنيعية الاختيارية خطرة على البيئة والصحة بسبب وجود مواد خطيرة بها.

9	4 الإعداد	3	1 الثلاجة
10	5 استخدام الثلاجة	4	2 تحذيرات السلامة المهمة
10.....	لوحة المؤشر.....	4.....	الغرض المخصص.....
13.....	تحذير فتح الباب.....	6.....	بالنسبة للمنتجات المزودة بموزع الماء،.....
15.....	توصيات المحافظة على الأطعمة المجمدة.....	6.....	تأمين سلامة الأطفال.....
15.....	وضع الطعام.....	6.....	تحذير الحرارة والتبريد والتهوية (HCA).....
16.....	معلومات التجميد العميق.....	6.....	أشياء يجب عملها لتوفير الطاقة.....
17.....	حامل البيض.....	6.....	توصيات لمقصورة الطعام الطازج.....
17.....	وصف فلتر الروائح وتنظيفه:.....	7	3 التركيب
18.....	وحدة توزيع المياه.....	7.....	نقاط يجب مراعاتها عند نقل الثلاجة.....
20.....	صندوق التخزين الدوار.....	7.....	قبل تشغيل الثلاجة.....
21.....	التجميد التلقائي.....	8.....	ضبط أقدام الثلاجة.....
21.....	مصباح أزرق.....	8.....	التوصيل الكهربائي.....
22.....	وحدة صنع الثلج وصندوق تخزين الثلج.....	8.....	التخلص من عبوة المنتج.....
23	6 الصيانة والتنظيف	8.....	التخلص من الثلاجة القديمة.....
23.....	حماية الأسطح البلاستيكية.....	8.....	الوضع والتركيب.....
24	7 استكشاف الأعطال وإصلاحها		



- | | | | |
|----|---------------------------------|----|----------------------------|
| 1 | رف صندوق الفريزر | 12 | درج |
| 2 | التجميد التلقائي | 13 | أقدام قابلة للضبط |
| 3 | رف تخزين الثلج | 14 | أرفف باب صندوق الفريزر |
| 4 | خزان المياه ذو التجميد التلقائي | 15 | حامل البيض |
| 5 | مؤشر إعدادات درجة الحرارة | 16 | حاوية تعبئة موزع المياه |
| 6 | أرفف زجاجية قابلة للضبط | 17 | خزان توزيع المياه |
| 7 | فلتر الروائح | 18 | أرفف باب صندوق الثلاجة |
| 8 | عدسات الإضاءة | 19 | حاويات تخزين دوارة ومنزلقة |
| 9 | رف الزجاجات | 20 | حائقم |
| 10 | أدراج الوجبات الخفيفة | 21 | مقصورة الفريزر |
| 11 | غطاء الدرج | 22 | مقصورة الثلاجة |

* اختياري

① الأشكال الواردة في دليل التعليمات هذا هي رسومات بيانية وقد لا تتطابق تمامًا مع المنتج. إذا لم تكن هذه القطع واردة في هذا الجهاز الذي اشتريته، فإبناها مناسبة لأنواع أخرى.

2 تحذيرات السلامة المهمة

- لا تلمس الطعام المجمد باليد، فقد يلتصق بيديك.
- افصل قابس التيار الكهربائي قبل تنظيف الثلاجة أو إزالة الثلج.
- لا يجب استخدام البخار أو مواد التنظيف بالبخار أبدًا في تنظيف أو عمليات إزالة الثلج من الثلاجة. ففي مثل هذه الحالة، قد يتفاعل البخار مع القطع الكهربائية ويؤدي إلى قطع التيار الكهربائي أو وقوع صدمة كهربائية.
- لا تستخدم مطلقًا قطع الثلجة، مثل الباب كوسيلة دعم أو للوقوف عليه.
- لا تستخدم أي أجهزة كهربائية داخل الثلاجة.
- لا تتلف الأجزاء حيث يتم تدوير الهواء البارد بأدوات حفر أو قطع. فقد ينفجر المبرد عند ثقب قنوات الغاز أو المبخر أو وصلات الأنابيب أو طلاءات السطح، وقد يتسبب ذلك في حدوث احتراق للجلد وإصابات للعين.
- لا تغط فتحات تهوية الثلاجة أو تسدها بأي مواد.
- يجب إجراء الإصلاحات بواسطة شخص مؤهل فقط. فعمليات الإصلاح التي يقوم بها أشخاص غير مؤهلين قد تمثل خطورة على المستخدم.
- في حالة وقوع أي عطل أو أثناء أي عملية صيانة أو أعمال إصلاح، افصل الثلاجة عن مصدر التيار الكهربائي الرئيسي إما بإغلاق المنصهر المعني أو بنزع قابس التيار الكهربائي الخاص بالجهاز.
- لا تجنب الكابل - بل اجذب من المقبس.
- ضع المشروبات راسياً وهي مغطاة بإحكام.
- يجب عدم الاحتفاظ في الثلاجة بالمواد القابلة للاشتعال أو المنتجات التي تحتوي على غازات قابلة للاشتعال (مثل الإسبراي) وكذلك المواد القابلة للانفجار.
- يجب عدم استخدام أدوات ميكانيكية أو أية وسائل أخرى للتسريع من عملية إزالة التجميد، بخلاف الأدوات التي توصي بها الجهة المصنعة.
- يرجى فحص المعلومات التالية. ربما يؤدي الإخفاق في اتباع هذه المعلومات إلى إصابات أو تلف للممتلكات. ومن ثم، قد تصبح كل التزامات الضمان غير سارية.
- يمتد العمر الافتراضي لاستخدام المنتج إلى 10 سنوات. وهذه هي فترة الإبقاء على عمل قطع الغيار المطلوبة للوحدة على النحو المبين.

الغرض المخصص

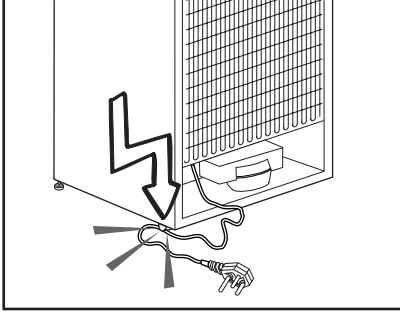
هذا المنتج مخصص لاستخدام

- داخل المنزل وفي الأماكن المغلقة كالمنازل.
- وفي بيئات العمل المغلقة مثل المخازن والمكاتب
- في مناطق السكن المغلقة مثل منازل المزرعة والفنادق والشقق الفندقية.
- لذا، يجب عدم استخدامه في الأماكن الخارجية.

السلامة العامة

- إذا أردت التخلص من الجهاز، فيوصى باستشارة مركز الصيانة المعتمد لمعرفة المعلومات المطلوبة والهيئات المعتمدة.
- استشر مركز الصيانة المعتمد حول كل الاستفسارات والمشكلات المتعلقة بالثلاجة. لا تتدخل ولا تدع أحدًا يتدخل في صيانة الجهاز دون إخبار مراكز الصيانة المعتمدة.
- بالنسبة للمنتجات المزودة بمقصورة فريزر، لا تأكل بسكويت الأيس كريم ومكعبات الثلج مباشرة بعد إخراجها من صندوق الفريزر. (فقد يسبب هذا لسعة صقيع داخل فمك.)
- بالنسبة للمنتجات المزودة بمقصورة فريزر، لا تضع المشروبات المثلجة المغلقة أو الموضوع في زجاجات في صندوق الفريزر. وإلا، فقد تنتفجر.

- لا تصل الثلاجة إذا كان منفذ التيار الكهربائي غير محكم.
- ينبغي عدم نثر الماء مباشرة على الأجزاء الداخلية أو الخارجية للثلاجة لدواعي السلامة.
- لا ترش مواد قابلة للاشتعال مثل غاز البروبين بالقرب من الثلاجة بسبب مخاطر نشوب النيران والانفجار.
- لا تضع أشياء مملوئة بالماء أعلى الثلاجة فقد تؤدي إلى صدمة كهربائية أو نشوب حريق.



- لا تزيد من حمولة الثلاجة بطعام إضافي. إذا كانت الثلاجة بها حمل زائد، فقد يسقط الطعام ويصيبك وي تلف الثلاجة عند فتح الباب. لا تضع أشياء ثقيلة أعلى الثلاجة حيث قد تقع عند فتح باب الثلاجة أو غلقه.
- ينبغي عدم حفظ المنتجات التي تحتاج إلى تحكم دقيق في درجات الحرارة (الأمصال أو الأدوية ذات الحساسية للحرارة أو المواد العلمية أو ما شابه) في الثلاجة.
- إذا لم يتم استخدام الثلاجة لفترة طويلة، فيجب فصلها عن التيار الكهربائي. قد تتسبب أي مشكلة في عزل الكابل في نشوب حريق.

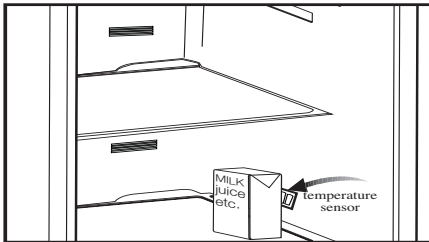
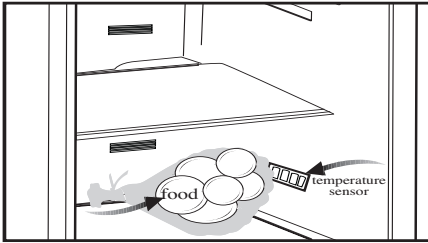
- هذا الجهاز غير مُعد للاستخدام بواسطة الأفراد (بما في ذلك الأطفال) ذوي القدرات الجسمية والحسية والذهنية المحدودة، أو الأفراد الذين يفتقدون للخبرة والمعرفة ما لم يتم الإشراف عليهم أو إعطائهم تعليمات استخدام الجهاز بواسطة شخص مسؤل عن سلامتهم أو الشخص الذي سيقوم بإعطائهم التعليمات الخاصة باستخدام المنتج.
- لا تقم بتشغيل الثلاجة وهي تالفة. استشر مركز الصيانة إذا لديك أي شك.
- يمكن ضمان السلامة الكهربائية للثلاجة فقط إذا كان نظام التوصيل الأرضي في منزلك يتوافق مع المعايير.
- إن تعريض الجهاز للأمطار والتلج والشمس والرياح يمثل خطورة فيما يتعلق بالسلامة الكهربائية.
- اتصل بفني خدمة مؤهل في حالة وجود تلف بكابل الطاقة لتجنب المخاطر.
- لا تقم بتوصيل الثلاجة بمنفذ الحائط أبداً أثناء عملية التركيب. وإلا، فهناك خطر أن تلقى مصرعك أو تلحق بك إصابة خطيرة.
- تم تصميم هذه الثلاجة فقط لحفظ الطعام. يجب ألا تستخدم لأية أغراض أخرى.
- يوجد ملصق التصنيف الذي يحتوي على المواصفات الفنية للمنتج في الجزء الأيسر الداخلي للثلاجة.
- لا تصل الثلاجة بأي نظم إلكترونية لتوفير الطاقة فقد يتلف المنتج.
- إذا كانت الثلاجة بها لون أزرق، فلا تنظر إلى اللون الأزرق من خلال أجهزة بصرية.
- إذا تم فصل التيار الكهربائي في الثلاجات المتحكم فيها يدوياً، يرجى الانتظار لمدة 5 دقائق قبل إعادة توصيل التيار الكهربائي.
- ينبغي تسليم دليل التشغيل هذا إلى المالك الجديد للثلاجة عند بيعها للآخرين.
- تجنب تلف كابل الطاقة أثناء نقل الثلاجة. قد يتسبب الكابل المثني في نشوب حريق. لا تضع أي أشياء ثقيلة على كابل الطاقة. لا تقم بلمس القابس بأيدي مبتلة عند توصيل قابس الثلاجة.

- يجب تنظيف طرف قابس التيار الكهربائي بشكل دوري وإلا فقد يتسبب في نشوب حريق.
- من الممكن أن تتحرك الثلاجة إذا لم يتم تثبيتها بإحكام على الأرض. يمكن للأقدام القابلة للضبط المثبتة بإحكام على الأرض أن تثبت الثلاجة في مكانها ولا تتحرك.
- عند حمل الثلاجة، لا تمسكها من مقبض الباب. وإلا فيكسر.
- عندما ترغب في تشغيل ثلاجتك بجوار ثلاجة أخرى، اترك مسافة 8 سم على الأقل بينهما. وإلا فقد تصبح الحوائط الجانبية المقابلة لبعضها البعض رطبة.
- يجب وضع الطعام في علب مغلقة.
- بالنسبة للمنتجات المزودة بمقصورة فريزر، يمكنك تخزين الحد الأقصى من كمية الطعام في الفريزر عندما تقوم بإخراج الرفوف أو الأدراج منه. استهلاك الطاقة المنكورة والخاص بالثلاجة تم تحديده أثناء إخراج الرف والدرج من الفريزر وتحمله بالحد الأقصى للحمولة. ولا توجد خطورة من استخدام الرف أو الدرج وفقاً للأشكال وأحجام الأطعمة المطلوب تجميدها.
- إزابة الطعام المجمد في مقصورة الثلاجة ستوفر الطاقة وتحفظ جودة الطعام.

توصيات لمقصورة الطعام الطازج

يرأيتخا *

- يرجى عدم ترك أي أغذية تصل إلى مستشعر درجة الحرارة في مقصورة الطعام الطازج. وللحفاظ على مقصورة الطعام الطازج في درجة حرارة التخزين المثالية، لا يجب تغطية المستشعر بأية أغذية.
- لا تقم بوضع طعام ساخن في الجهاز الخاص بك.



بالنسبة للمنتجات المزودة بموزع الماء،

- يجب ألا يقل ضغط خط المياه الرئيسي عن 1 بار. يجب ألا يزيد ضغط خط المياه الرئيسي عن 8 بارات.
- استخدم ماء قابلًا للشرب فقط.

تأمين سلامة الأطفال

- إذا كان الباب مزودًا بقل، فينبغي الاحتفاظ بالمفتاح بعيدًا عن متناول الأطفال.
- يجب رقابة الأطفال حتى لا يعجبوا بالمنتج.

تحذير الحرارة والتبريد والتهوية (HCA)

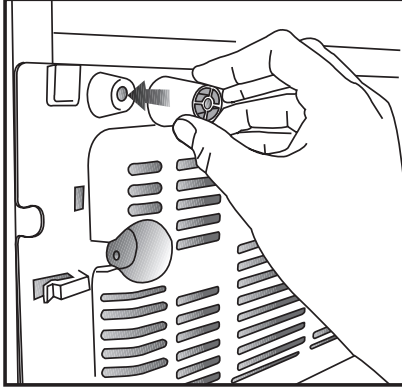
إذا كان المنتج مزودًا بنظام تبريد يحتوي على R600a: هذا الغاز قابل للاشتعال. ولذا، يجب توخي الحذر حتى لا يتم إتلاف نظام التبريد والأبواب أثناء الاستخدام والنقل. في حالة التلف، لا تتخلص من المنتج بإلقائه في النيران، واحتفظ به بعيدًا عن مصادر النيران المحتملة والتي يمكن أن تتسبب في نشوب النيران بالمنتج واحرص على تهوية الحجرة التي تحتفظ بالمنتج فيها.

إذا كان المنتج مزودًا بنظام تبريد يحتوي على R134a: نوع الغاز المستخدم في هذا المنتج مذكور على لوحة النوع الموجودة على الجانب الأيسر الداخلي للثلاجة. لا تتخلص من المنتج مطلقًا بإلقائه في النيران.

أشياء يجب عملها لتوفير الطاقة

- لا تترك أبواب الثلاجة مفتوحة لفترة طويلة.
- لا تضع الأطعمة أو الخضروات الساخنة في الثلاجة.
- لا تزيد حمل الثلاجة بحيث لا تمنع دورة الهواء داخلها.
- لا تترك الثلاجة تحت أشعة الشمس المباشرة أو بالقرب من أجهزة تنبعث من حرارة مثل الفرن أو غسالة الأطباق أو المشع.

2. يرجى تركيب إسفينين بلاستيكيين كما هو موضح في الشكل التوضيحي. سيوفر هذان الإسفينان المسافة المطلوبة بين الثلاجة والحائط، مما سيسمح بتدوير الهواء. (الشكل الموضح ما هو إلا مثال ولا يطابق المنتج بشكل تام.)



3. نظف الجزء الداخلي للثلاجة كما هو موصى به في قسم "الصيانة والتنظيف".

4. قم بتوصيل القابس بمنفذ الكهرباء بالحائط. عند فتح باب الثلاجة، سيضيء مصباح مقصورة الثلاجة الداخلي.

5. سوف تسمع ضوضاء عند بدء عمل جهاز ضغط الهواء. تؤدي السوائل والغازات المتسربة من جهاز الثلاجة إلى إحداث ضوضاء، حتى إن كان جهاز ضغط الهواء لا يعمل وهذا أمر طبيعي.

6. قد يكون ملمس الحواف الأمامية للثلاجة دافئًا. هذا شيء طبيعي. حيث تم تصميم هذه المناطق حتى تكون دافئة تجنبًا للتكثف.

⚠ يرجى تذكر أن المصنّع لن يتحمل أي مسؤولية في حالة عدم اتباع المعلومات الواردة في دليل التعليمات.

نقاط يجب مراعاتها عند نقل الثلاجة

1. يجب إفراغ الثلاجة وتنظيفها قبل أي عملية نقل.
2. يجب تثبيت الأرفف والملحقات والأدراج وخلافه في الثلاجة بإحكام بشرط لاصق ضد الارتجاج قبل إعادة تعبئتها بالعبوة.
3. يجب إحكام العبوة بأشرطة لاصقة سميكة وحبال قوية، كما يجب إتباع تعليمات النقل المطبوعة على العبوة.

يرجى ألا تنسى...

يجب عدم التخلص من أية مواد قابلة لإعادة التدوير حفاظًا على الطبيعة والموارد القومية. إذا رغبت في المساهمة في إعادة تدوير مواد التعبئة، يمكنك الحصول على معلومات إضافية من الهيئات البيئية أو السلطات المحلية.

قبل تشغيل الثلاجة

1. قبل البدء في استخدام الثلاجة، تحقق مما يلي:
هل الجزء الداخلي للثلاجة جاف، وهل الهواء يدور بحرية في الجزء الخلفي؟

التوصيل الكهربائي

صل المنتج بمنفذ توصيل أرضي محمي بمنصهر ذي سعة مناسبة.
هام:

- يجب أن يتوافق التوصيل مع اللوائح الوطنية.
- يجب أن يكون قابس كابل التيار في مكان يسهل الوصول إليه بعد التركيب.
- يجب أن تكون الفولتية المقررة مساوية لفولتية منفذ التيار الرئيسي.
- يجب عدم استخدام الوصلات الكهربائية والمقابس متعددة المسالك للتوصيل.
- ⚠ يجب يتم استبدال كابل التيار التالف بواسطة فني الكهرباء المعتمد.
- ⚠ يجب ألا يتم تشغيل المنتج قبل إصلاحه! حيث يوجد خطر يكمن في التعرض لصدمة كهربائية!

التخلص من عبوة المنتج

قد تكون مواد التغليف خطرة على الأطفال. احتفظ بمواد التغليف بعيداً عن متناول الأطفال أو تخلص منها بتصنيفها وفقاً لتعليمات التخلص من المخلفات. لا تتخلص منها مع مخلفات المنزل العادية.
يتم تصنيع حزمة تعبئة الثلجة من مواد قابلة لإعادة التدوير.

التخلص من الثلجة القديمة

- تخلص من الجهاز القديم دون إحداث أي ضرر بالبيئة.
 - يمكنك استشارة الوكيل المعتمد لديك أو مركز تجميع النفايات بمدينتك حول التخلص من الثلجة القديمة.
- قبل التخلص من الثلجة، اقطع القابس الكهربائي، وفي حالة وجود أي أفتال على باب الثلجة، اجعلها غير قابلة للتشغيل لحماية الأطفال من أي خطر.

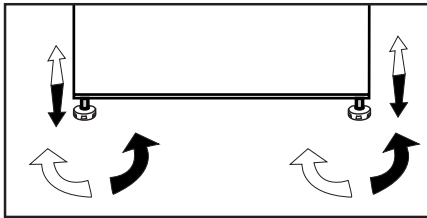
الوضع والتركيب

⚠ إذا كان باب الحجره التي ستوضع بها الثلجة ضيق بدرجة لا تسمح بمرور الثلجة من خلاله، فاتصل بمركز الصيانة المعتمد لإزالة أبواب الثلجة وتمريرها وهي مائلة من الباب.

1. ركب الثلجة في مكان يسمح بسهولة الاستخدام.
2. ضع الثلجة بعيداً عن مصادر الحرارة والمناطق الرطبة وأشعة الشمس المباشرة.
3. يجب أن تتوفر التهوية المناسبة حول الثلجة للحصول على تشغيل يتسم بالكفاءة. إذا كانت الثلجة ستوضع في تجويف داخل الحائط، فيجب أن يكون يترك 5 سم على الأقل بينها وبين السقف و 5 سم على الأقل بينها وبين الحائط. إذا كانت الأرضية مغطاة بسجادة، فيجب رفع الجهاز 2.5 سم على الأقل عن الأرض.
4. ضع الثلجة على سطح مستو لمنع الحركة المفاجئة.
5. لا تضع الثلجة في درجات حرارة محيطية تقل عن 10 درجة مئوية.

ضبط أقدام الثلجة

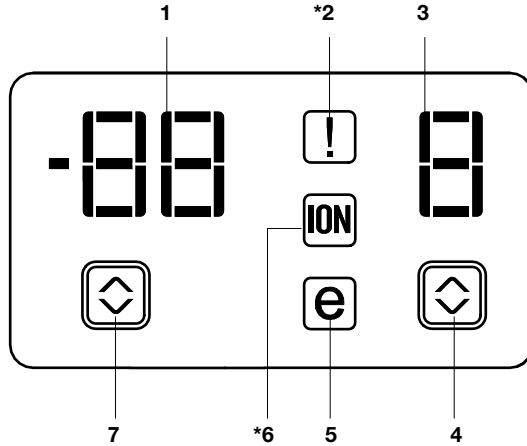
إذا كانت الثلجة غير متزنة؛ يمكن ضبط اتزان الثلجة بتدوير الأقدام الأمامية كما هو موضح بالشكل. يتم خفض الركن الموجود به القدم عند التدوير باتجاه السهم الأسود ويرتفع عند التدوير في الاتجاه المعاكس. ستساعد الاستعانة بشخص آخر في رفع الثلجة قليلاً في إنجاز هذه العملية.



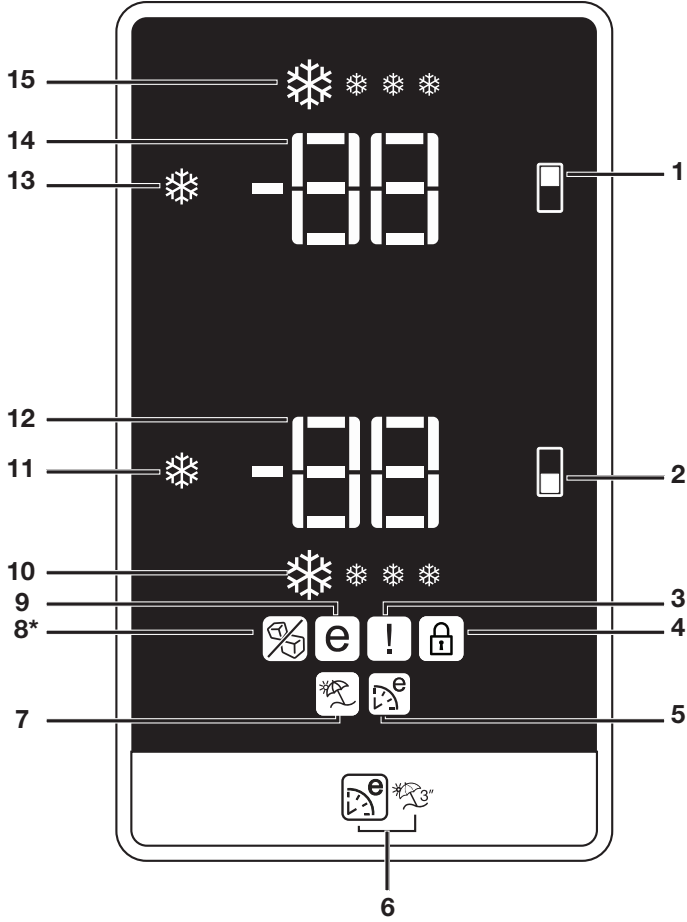
- ❗ يجب تركيب الثلاجة على بعد 30 سم على الأقل من مصادر الحرارة مثل المواقد والأفران والسخان المركزي والمواقد وعلى بعد 5 سم على الأقل من الأفران الكهربائية ويجب عدم وضعها في ضوء الشمس المباشر.
- ❗ يجب أن تكون درجة الحرارة المحيطة للغرفة التي تضع فيها الثلاجة 10 درجة مئوية على الأقل. ولا يُوصى بتشغيل الثلاجة في ظروف درجة حرارة أقل من ذلك تحقياً لكفائها.
- ❗ يُرجى التأكد من تنظيف الثلاجة من الداخل بعناية.
- ❗ إذا كنت بصدد تركيب ثلاجتين جنباً إلى جنب، فيجب المباشرة بينهما بمسافة 2 سم على الأقل.
- ❗ عند تشغيل الثلاجة للمرة الأولى، يُرجى مراعاة التعليمات التالية أثناء الساعات الستة الأولى.
- يجب عدم فتح الباب بصورة متكررة.
- يجب تشغيلها وهي خاوية بدون أي أطعمة داخلها.
- لا تنزع قابس التيار الكهربى للثلاجة إذا توقف التيار الكهربى رغماً عنك، فيرجى قراءة التحذيرات الواردة في قسم "حلول مقترحة للمشكلات".
- ❗ يجب الحفاظ على العبوة الأصلية ومواد التغليف المصاحبة لأغراض النقل المستقبلى أو الانتقال.

قد تختلف لوحات المؤشر وفقاً لموديل المنتج الخاص بك.

تساعد لوحة المؤشر في استخدام الثلاجة بواسطة وظائفها المسموعة والمرئية.



1. مؤشر درجة حرارة صندوق الفريزر
 2. مؤشر حالة الخطأ
 3. مؤشر درجة حرارة صندوق الثلاجة
 4. زر ضبط درجة حرارة صندوق الثلاجة
 5. مؤشر الوضع الاقتصادي
 6. مؤشر التأيين
 7. زر ضبط درجة حرارة صندوق الفريزر
3. مؤشر درجة حرارة صندوق الثلاجة
يوضح درجة الحرارة المضبوطة لصندوق الثلاجة.
 4. زر ضبط درجة حرارة صندوق الثلاجة
اضغط على هذا الزر لضبط درجة حرارة صندوق الثلاجة على 8 و6 و2 و8 ... بالترتيب. اضغط على هذا الزر لضبط درجة الحرارة المرغوبة لصندوق الثلاجة.
 5. مؤشر الوضع الاقتصادي
يوضح أن الثلاجة تعمل باستخدام وضع موفر للطاقة.
 6. مؤشر التأيين
يضيء المصباح باستمرار. يشير هذا المصباح إلى أن الثلاجة محمية من البكتريا.
 7. زر ضبط درجة حرارة صندوق الفريزر
اضغط على هذا الزر لضبط درجة حرارة صندوق الفريزر على 18- و20- و22- و24- و18- ... بالترتيب. اضغط على هذا الزر لضبط درجة الحرارة المرغوبة لصندوق الفريزر.
1. مؤشر درجة حرارة صندوق الفريزر
يوضح درجة الحرارة المضبوطة لصندوق الفريزر.
 2. مؤشر حالة الخطأ
إذا لم تقم الثلاجة بالتبريد بالشكل الكافي أو إذا أخفق المستشعر، يتم تنشيط هذا المؤشر. عندما يتم تنشيط هذا المؤشر، يعرض مؤشر درجة حرارة صندوق الفريزر "E" ويعرض مؤشر درجة حرارة صندوق الثلاجة أرقامًا مثل "1 و2 و3 ...". توفر تلك الأرقام الموجودة على المؤشر معلومات حول الخطأ بالنسبة لموظفين الخدمة.



- | | | | |
|--|----|------------------------------------|-----|
| إعداد صندوق الفريزر / مفتاح تشغيل إيقاف لتجميد | .1 | مؤشر الاستخدام الاقتصادي | .9 |
| زر ضبط درجة حرارة مقصورة التلاجة | .2 | مؤشر وظيفة التبريد السريعة | .10 |
| مؤشر حالة الخطأ | .3 | زر التبريد السريع "Quick fridge" | .11 |
| مؤشر تأمين المفاتيح | .4 | مؤشر ضبط درجة حرارة التلاجة | .12 |
| مؤشر وظيفة Eco Extra | .5 | زر التجميد السريع "Quick freeze" | .13 |
| زر التوفير الإضافي/الإجازة | .6 | مؤشر ضبط درجة حرارة مقصورة الفريزر | .14 |
| مؤشر وظيفة الإجازة | .7 | مؤشر وظيفة التجميد السريع | .15 |
| مؤشر إيقاف التجميد (في بعض الموديلات) | .8 | | |

1. إعداد صندوق الفريزر / مفتاح تشغيل إيقاف التجميد

تسمح لك هذه الوظيفة بضبط درجة حرارة صندوق الفريزر. اضغط على هذا الزر لضبط درجة حرارة صندوق الفريزر على 18- و20- و22- و24- بالترتيب. لإيقاف تكوين الثلج؛ اضغط على نفس الزر لمدة 3 ثوانٍ. سيتوقف تدفق المياه من خزان المياه عندما يتم اختيار هذه الوظيفة. ومع ذلك؛ يمكن إخراج الثلج الموجود من وحدة التوزيع. لإيقاف تكوين الثلج؛ اضغط على نفس الزر لمدة 3 ثوانٍ.

2. زر ضبط درجة حرارة مقصورة الثلجة

تسمح لك هذه الوظيفة بضبط درجة حرارة مقصورة الثلجة. اضغط على هذا الزر لضبط درجة حرارة صندوق الثلجة على 18- و20- و22- و24- ... بالترتيب.

3. مؤشر حالة الخطأ

إذا لم تقم الثلجة بالتبريد بالشكل الكافي أو إذا أخفق المستشعر، يتم تنشيط هذا المؤشر. عندما يتم تنشيط هذا المؤشر، يعرض مؤشر درجة حرارة مقصورة الفريزر "E" ويعرض مؤشر درجة حرارة صندوق الثلجة أرقاماً مثل "1" و"2" و"3". توفر تلك الأرقام الموجودة على المؤشر معلومات حول الخطأ بالنسبة لموظفين الخدمة. عندما تضع طعام ساخن في مقصورة الفريزر، أو إذا تركت الباب مفتوحاً لفترة طويلة، فستومض علامة تعجب لبعض الوقت. هذا ليس خطأً، فهذا التنبيه سيختفي عندما يبرد الطعام.

4. مؤشر قفل المفاتيح

استخدم تلك الوظيفة إذا كنت لا تريد تغيير ضبط درجة حرارة الثلجة. اضغط على زر التبريد السريع و زر ضبط درجة حرارة صندوق التخزين متعدد المناطق معاً لمدة 3 ثواني لتنشيط تلك الخاصية.

5. مؤشر وظيفة Eco Extra

يوضح أن وظيفة Eco Extra في وضع نشط. في حالة تنشيط هذه الوظيفة، ستكتشف ثلاجتك تلقائياً أقل فترات الاستخدام وستعمل وظيفة التبريد الموفرة للطاقة خلال تلك الفترات. سيتم تنشيط مؤشر الاقتصاد أثناء عمل وظيفة التبريد الموفرة للطاقة. اضغط على الزر المخصص مرة أخرى لإلغاء تنشيط هذه الوظيفة.

6. زر التوفير الإضافي/الإجازة

اضغط على هذا الزر لفترة قصيرة لتنشيط وظيفة التوفير الإضافي. اضغط باستمرار على هذا الزر لمدة 3 ثوانٍ لتنشيط وظيفة الإجازة. اضغط على هذا الزر لإلغاء تنشيط الوظيفة المحدده.

7. مؤشر وظيفة الإجازة

يوضح أن وظيفة الإجازة في وضع نشط. إذا كانت تلك الوظيفة نشطة، فسيظهر " - " على مؤشر صندوق الثلجة ولن تظهر أي علامات تبريد في صندوق الثلجة. يتم تبريد المقصورات الأخرى بالتوافق مع درجة الحرارة التي تم ضبطها لهم. اضغط على الزر المخصص مرة أخرى لإلغاء تنشيط هذه الوظيفة.

8. مؤشر إيقاف تكوين الثلج

لن يعمل التجميد عندما يكون مؤشر هذه الوظيفة قيد التشغيل. أنظر العنصر 1 لتفعيل التجميد.

9. مؤشر الوضع الاقتصادي

يوضح أن التلاجة تعمل باستخدام وضع موفر للطاقة. درجة حرارة مقصورة الفريزر يكون هذا المؤشر نشط إذا تم ضبط الوظيفة على درجة حرارة 18 أو كانت وظيفة التبريد الموفرة للطاقة تعمل نتيجة لوظيفة Eco-Extra.

10. مؤشر التبريد السريع

يوضح هذا الرمز بشكل مجسم عند تنشيط وظيفة التبريد السريع.

11. وظيفة التبريد السريع

عند الضغط على زر التبريد السريع "Quick

Fridge"، تصبح درجة حرارة الصندوق أبرد من القيم المضبوطة.

يمكن استخدام هذه الوظيفة للطعام الموضوع في مقصورة التلاجة والمطلوب تجميده بسرعة.

إذا أردت تبريد كمية كبيرة من الطعام الطازج، يوصى بتنشيط هذه الميزة قبل وضع الطعام في التلاجة.

يتم تشغيل مؤشر التجميد السريع عند تشغيل وظيفة التجميد السريع. لإلغاء هذا الوظيفة، اضغط على زر

Quick Fridge مرة أخرى.

إذا لم يتم إلغاؤها، ستلغي وظيفة التثليج السريع نفسها تلقائياً بعد مرور 4 ساعات أو عندما تصل درجة حرارة مقصورة التلاجة إلى الدرجة المطلوبة.

لن يتم استدعاء هذه الوظيفة عندما يتم استعادة التيار الكهربائي بعد انقطاعه.

12. مؤشر ضبط درجة حرارة مقصورة التلاجة

يبين درجة الحرارة المضبوطة لمقصورة التلاجة.

13. مؤشر ضبط درجة حرارة مقصورة الفريزر

يبين درجة الحرارة المضبوطة مقصورة الفريزر.

14. وظيفة التجميد السريع

يتم تشغيل مؤشر التجميد السريع عند تشغيل وظيفة

التجميد السريع. لإلغاء هذا الوظيفة، اضغط على زر

Quick Freeze مرة أخرى. ينطفئ مؤشر التجميد

السريع وتعود الإعدادات إلى الوضع الطبيعي. إذا لم يتم

إلغاؤها، ستلغي وظيفة التجميد السريع نفسها تلقائياً بعد

مرور 8 ساعات أو عندما تصل درجة حرارة صندوق

الفريزر إلى الدرجة المطلوبة.

إذا أردت تجميد كمية كبيرة من الطعام الطازج، يرجى

الضغط على زر Quick Freeze 24 ساعة قبل وضع

الطعام في صندوق الفريزر.

إذا ضغطت على زر QuickFreeze (التجميد السريع)

بشكل متكرر لفترات قصيرة، سيتم تنشيط حماية الدائرة

الإلكترونية ولن يبدأ تشغيل الضاغط فوراً.

لن يتم استدعاء هذه الوظيفة عندما يتم استعادة التيار

الكهربي بعد انقطاعه.

15. مؤشر التجميد السريع

يوضح هذا الرمز بشكل مجسم عند تنشيط وظيفة التجميد

السريع.

تحذير فتح الباب

(قد تختلف هذه الخاصية وفقاً لباب المنتج وقد لا

تكون موجودة في بعض الموديلات.)

يتم سماع صوت تحذير عندما يكون باب مقصورة التلاجة

مفتوحاً لمدة 1 دقيقة على الأقل. سيتوقف هذا التحذير عندما

يتم إغلاق الباب أو تم الضغط على أياً من مفاتيح العرض

(إن وجدت).

- يجب تبريد الطعام الساخن إلى درجة حرارة الغرفة قبل وضعه في الثلاجة.
 - يجب أن يكون الطعام المراد تجميده جيداً وطازجاً.
 - يجب تقسيم الأطعمة إلى أجزاء طبقاً للاستهلاك اليومي للعائلة أو الوجبة اليومية.
 - * يجب تعبئة الأطعمة بطريقة محكمة لمنع جفاف أي منها إذا كانت ستُحفظ لوقت قصير.
 - يجب أن تكون المواد المستخدمة في التعبئة ضد القطع ومقاومة للبرد والرطوبة والرائحة والزيوت والأحماض كما يجب أن تكون محكمة الهواء. وبالإضافة إلى ذلك، يجب أن تكون هذه المواد مغلقة ومصنوعة من مواد سهلة الاستخدام ومناسبة للاستخدام في الفريزر.
 - يجب استخدام الطعام المجمد مباشرة بعد إذابته، كما يجب عدم إعادة تجميده مطلقاً.
 - يرجى اتباع التعليمات الآتية للحصول على أفضل النتائج.
1. * لا تقم بتجميد كميات كبيرة من الطعام مرة واحدة في نفس الوقت. يتم الاحتفاظ بجودة الطعام بشكل أفضل عند تجميده بطريقة صحيحة بالكامل في أسرع وقت ممكن.
 2. يتسبب وضع الطعام دافئ في تجويف الفريزر إلى عمل نظام التبريد باستمرار حتى يتم تجميد الطعام وجعله صلباً.
 3. توخ الحذر جيداً لعدم خلط الأطعمة المجمدة فعلياً بالأطعمة الطازجة.

إعداد مقصورة الفريزر	إعداد مقصورة الثلاجة	توضيحات
18- درجة مئوية	4 درجة مئوية	هذا هو الضبط الموصى به بشكل طبيعي.
20 أو 22- أو 24- درجة مئوية	4 درجة مئوية	هذه هي إعدادات الضبط الموصى بها عندما تتجاوز درجة الحرارة المحيطة 30 درجة مئوية.
التجميد السريع	4 درجة مئوية	استخدم هذا عندما ترغب في تجميد الطعام في وقت قصير. سترجع الثلاجة إلى وضعها السابق عندما تنتهي هذه العملية.
18- درجة مئوية أو أقل	2 درجة مئوية	إذا اعتقدت أن مقصورة الثلاجة غير بارد بدرجة كافية بسبب الظروف الساخنة أو الفتح المتكرر للأبواب أو إغلاقها، فيمكن الضبط على هذه القيم.
18- درجة مئوية أو أقل	التبريد السريع	يمكن استخدامها عندما يكون صندوق الثلاجة ذا حمل زائد أو عندما ترغب في تبريد الطعام بسرعة. يوصى بتنشيط وظيفة التبريد السريع من 4 إلى 8 ساعات قبل وضع الطعام فيها.

وضع الطعام

توصيات المحافظة على الأطعمة المجمدة

- * يجب حفظ الأطعمة المجمدة التجارية مسبقاً بالتعبئة وفقاً لإرشادات مصنع الطعام المجمد بالنسبة لصندوق حفظ الطعام المجمد [***] * (4 نجوم).
 - لضمان المحافظة على أفضل جودة لدى جهة تصنيع الطعام المجمد والبنائع؛ يجب تذكر ما يلي:
 1. توضع العبوات في الفريزر بأسرع ما يمكن بعد الشراء.
 2. تأكد من أن المحتويات مملصة على العبوة ومدون عليها التاريخ.
 3. يجب عدم تجاوز تاريخ 'استخدام حتى' أو 'يفضل قبل' على العبوة.
- إزالة الثلج**
يقوم تجويف الفريزر بإزالة الثلج بشكل تلقائي.

أرفف صندوق الفريزر	طعام مجمد متنوع مثل اللحم والسمك والأيس كريم والخضروات إلخ.
حامل البيض	البيض
أرفف صندوق التلاجة	الطعام في معلبات وأطباق مغطاة وعلب مغلقة.
أرفف باب صندوق التلاجة	طعام قليل أو مغلف أو مشروبات (مثل اللبن وعصائر الفواكه)
درج	الخضروات والفاكهة
مقصورة منطقة الطعام الطازج	منتجات الأطعمة المعلبة (الجبن والزبد والسلامي... إلخ.)

معلومات التجميد العميق

يجب تجميد الطعام بأسرع ما يمكن عند وضعه في الثلاجة للحفاظ على جودته.

يتطلب قانون TSE (وفقاً لظروف قياس معينة) التلاجة أن تجمد 4.5 كجم من الطعام عند درجة حرارة 32 درجة مئوية إلى 18- درجة مئوية أو أقل في خلال 24 ساعة لكل 100 لتر من حجم الفريزر.

يمكن الحفاظ على الطعام لفترة أطول فقط عند درجة حرارة 18- درجة مئوية أو درجات حرارة أقل.

يمكن الحفاظ على طازجة الطعام لشهور عديدة (عند درجة حرارة 18- أو أقل في الديب فريزر).

⚠ تحذير!

• يجب تقسيم الأطعمة إلى أجزاء طبقاً للاستهلاك اليومي للعائلة أو الوجبة اليومية.

• يجب تغليف الأطعمة بطريقة محكمة لمنع جفاف أي منها إذا كانت ستُحفظ لوقت قصير.

المواد الضرورية للتعبئة.

• شريط لاصق مقاوم للبرد

• شريط لاصق ذاتي

• حلقات مطاطية

• قلم

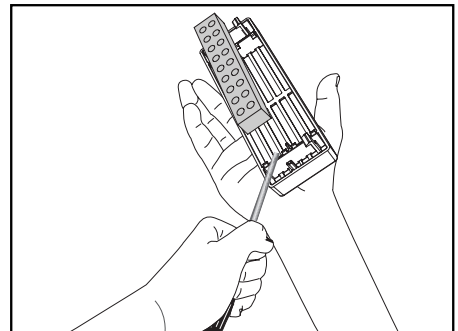
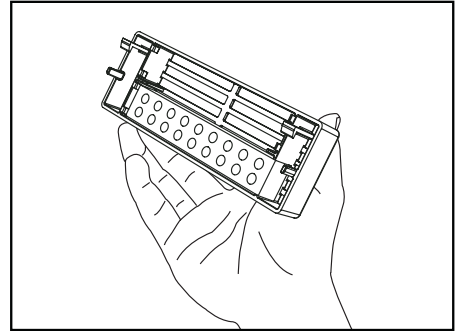
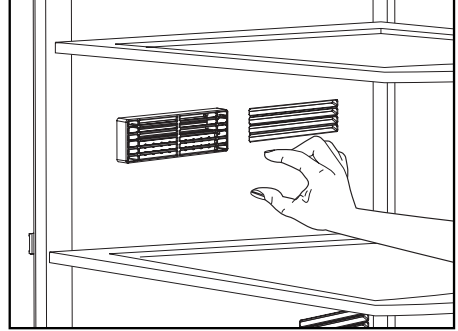
يجب أن تكون المواد المزمع استخدامها لتعبئة الطعام مقاومة للقطع وللبرد والرطوبة والزيت والأحماض.

يجب عدم ملامسة الأطعمة المزمع تجميدها للمواد المذابة سابقاً لمنع الإذابة الجزئية.

يجب استخدام الطعام المجمد مباشرة بعد إذابته، كما يجب عدم إعادة تجميده مطلقاً.

وصف فلتر الروائح وتنظيفه:

يمنع فلتر الروائح تراكم الروائح الكريهة داخل الثلاجة. اجذب الغطاء المركب فيه فلتر الروائح لأسفل وأخرجه كما هو موضح في الشكل. اترك الفلتر معرضاً لأشعة الشمس لمدة يوم واحد. سيتم تنظيف الفلتر خلال هذه المدة الزمنية. قم بتركيب الفلتر مرة أخرى في مكانه. يجب تنظيف فلتر الروائح مرة كل عام.



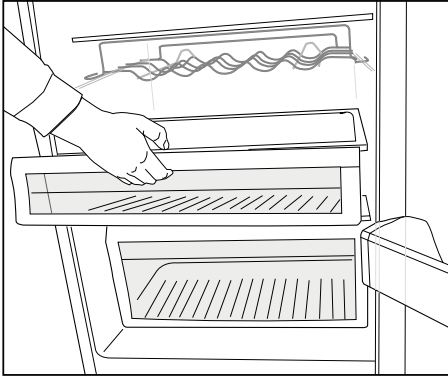
أدراج الوجبات الخفيفة

استخدم هذه المقصورات لأطعمتك التي ترغب في تخزينها في درجة حرارة لدرجات أقل قليلاً من مقصورة الثلاجة.

يمكن زيادة الحجم الداخلي للثلاجة بإخراج أي من صناديق الوجبات الخفيفة.

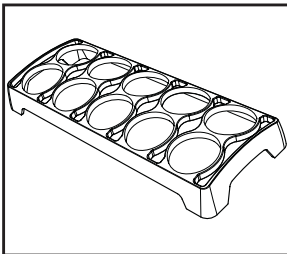
1. اجذب الصندوق تجاهك حتى يوقفه الحاجز.
2. ارفع القسم الأمامي واسحبه نحوك لإزالة المقصورة من مكانها.

يمكنك وضع الطعام الذي تريد تجميده لإعداده ليتجمد في هذه الصناديق لإعداده للتجميد.



حامل البيض

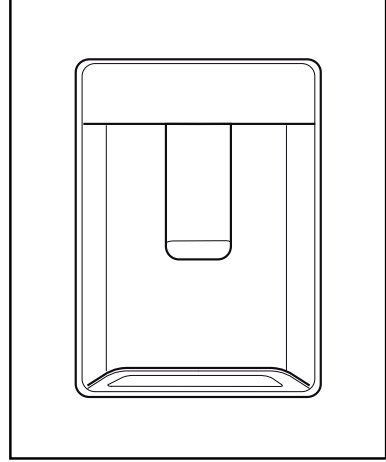
يمكن تركيب حامل البيض بالباب المطلوب أو رف الجسم. لا تخزن حامل البيض في مقصورة الفريزر أبداً.



وحدة توزيع المياه

(في بعض الموديلات)

يعتبر موزع المياه ميزة مفيدة للحصول على ماء بارد بدون فتح باب الثلاجة. ولأنه لن تضطر إلى فتح باب الثلاجة بصورة متكررة، فسوف تقلل من استهلاك الثلاجة للطاقة.

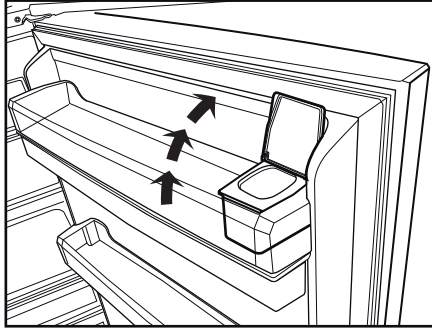
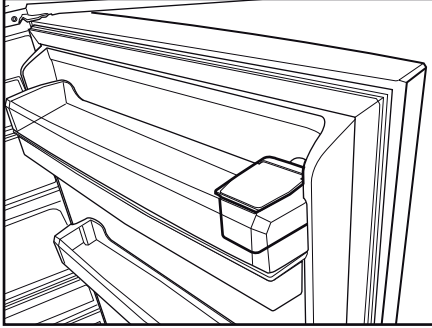


استخدام صنبور الماء

اضغط على مزلاج صنبور الماء بالكوب. سيتوقف موزع المياه عن العمل بمجرد أن تحرر المزلاج. عند تشغيل موزع المياه، يتم الحصول على أقصى تدفق للمياه بالضغط الكامل على المزلاج. تذكر أن كمية تدفق المياه من موزع المياه يخضع لدرجة الضغط على المزلاج. وكلما ارتفع مستوى المياه في الكوب / الكأس، خفف كمية الضغط على المزلاج لتجنب زيادة التدفق. إذا ضغطت برفق على المزلاج، سيقطر الماء، وهذا أمر طبيعي وليس عيباً.

ملا خزان مياه موزع الماء.

يوجد صهريج ملى خزان المياه بداخل رف الباب. افتح غطاء الصهريج وقم بملئه بمياه شرب نظيفة. وبعدها، أغلق الغطاء.



تحذير!

- لا تملأ خزان المياه بأى سائل آخر غير مياه الشرب والمشروبات مثل عصائر الفاكهة والمشروبات الغازية، أما المشروبات الكحولية فغير مناسبة للاستخدام في موزع المياه. سيتلف موزع المياه بشكل لا يمكن إصلاحه إذا تم استخدام هذا النوع من السوائل. ولا يشمل الضمان هذا النوع من الاستخدامات فبعض المواد الكيماوية والإضافات الموجودة في هذه السوائل/المشروبات قد تتلف مواد خزان المياه.

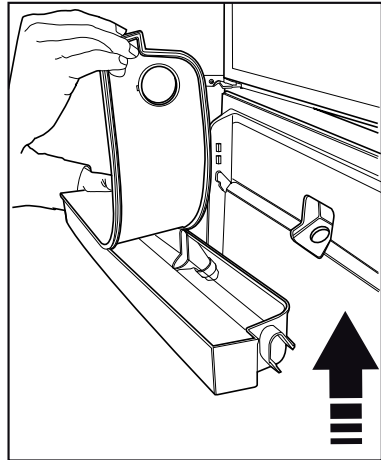
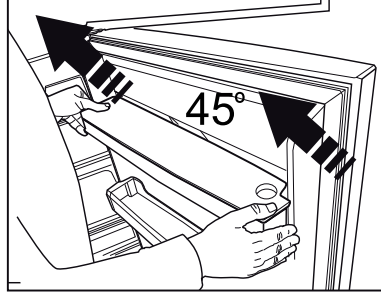
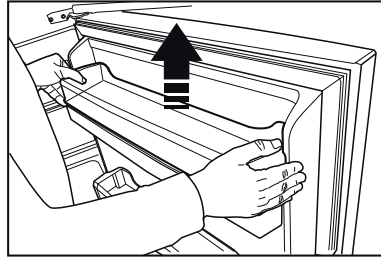
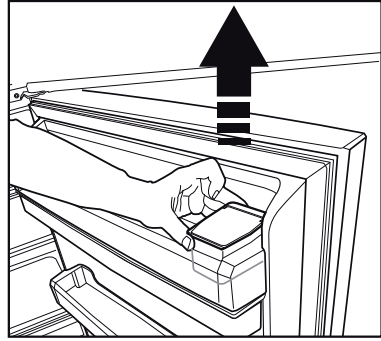
- استخدم فقط مياه شرب نقية ونظيفة.
- سعة خزان المياه 3 لتر ، لا تملأه على نحو مفرط.
- اضغط على مزلاج صنبور الماء بالكوب. إذا كنت تستخدم أكواب بلاستيكية، فاضغط على المزلاج بأصابعك من خلف الكوب.

تنظيف خزان المياه

- قم بفك صهريج تعبئة المياه داخل رف الباب.
- قم بفك رف الباب بإمساكه من كلا الجانبين.
- امسك خزان المياه من كلا الجانبين وقم بفكه بزاوية 45 درجة
- قم بتنظيف خزان المياه بفك غطاؤه.

هام:

يجب ألا يتم غسل أجزاء خزان المياه وموزع المياه في غسله الأطباق.



صندوق التخزين الدوار

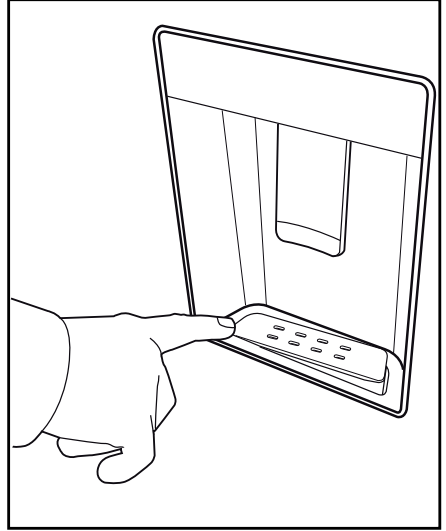
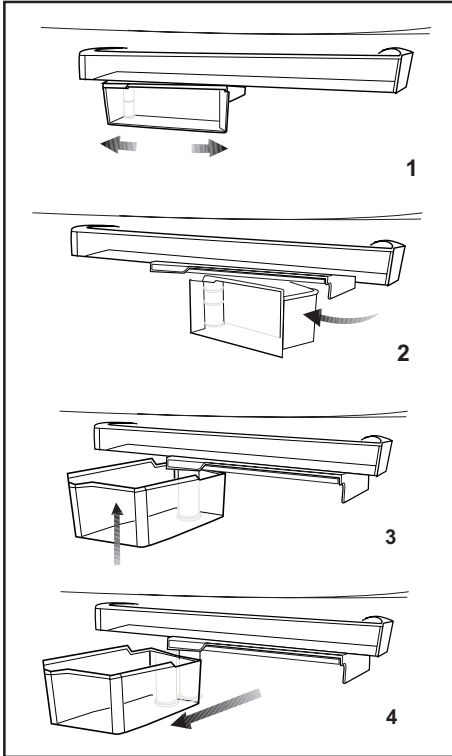
(في بعض الموديلات)

يمكن تحريك الرف المائل لليسار أو اليمين للسماح بوضع زجاجات طويلة أو العلب أو الصناديق في رف سفلي (الشكل 1).
يمكن الوصول إلى الطعام الذي وضعته في الرف من خلال جذبته وتدويره من حافته اليمنى (الشكل 2).
عندما تريد تحميله أو إخراجه لتنظيفه، أدبه بمقدار 90 درجة وارفعه واجذبه تجاهك (الشكل 3-4).

درج المياه

المياه التي تتساقط أثناء استخدام موزع المياه تتجمع في درج المياه.

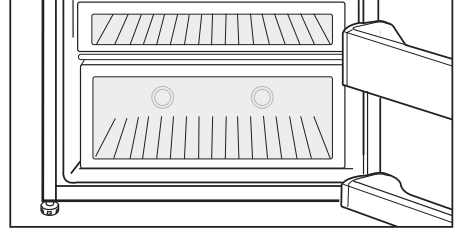
اسحب المصفاة البلاستيكية كما يظهر في الشكل.
بقطعة قماش نظيفة وجافة، قم بإزالة المياه التي تراكمت تنبيه: قم بتوصيل خط مياه شرب نقية فقط.



مصباح أزرق

(في بعض الموديلات)

يحتفظ الطعام المخزن في الأدراج المضاءة باللون الأزرق بطازجته عن طريق تأثير طول الموجة للضوء الأزرق وبالتالي يحتفظ بطازجته ويزيد من محتويات البروتين.



التجميد التلقائي

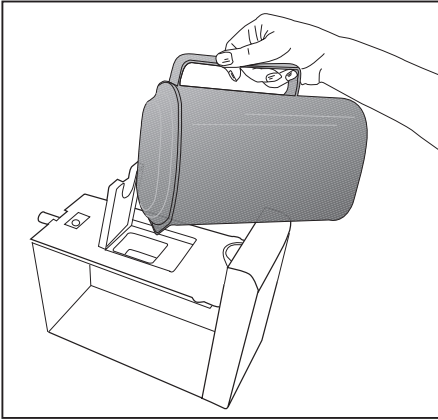
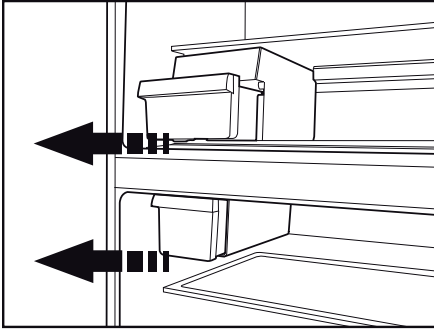
(في بعض الموديلات)

يسمح نظام التجميد التلقائي لك بالحصول على الثلج من التلاجة بسهولة. قم بإزالة خزان المياه في مقصورة التلاجة، واملأه بالمياه وقم بتركيبه مرة أخرى للحصول على التلاجة من درج الثلج.

ستكون أول مكعبات ثلجية جاهزة في خلال ساعتين تقريباً في درج الثلج الموجود في مقصورة الفريزر.

إذا ملئت خزان المياه بالكامل، ستستطيع الحصول على حوالي 60-70 مكعب ثلجي.

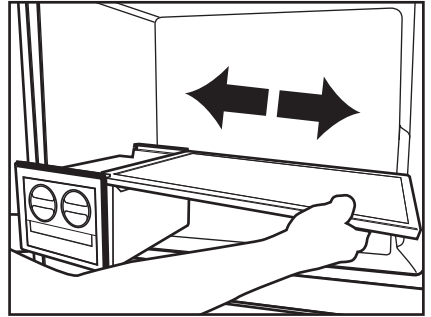
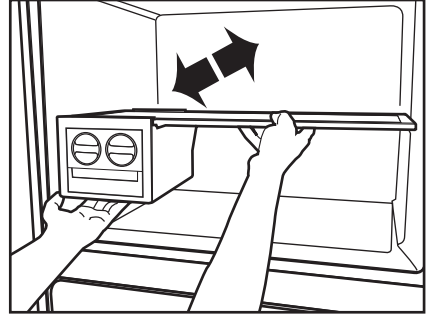
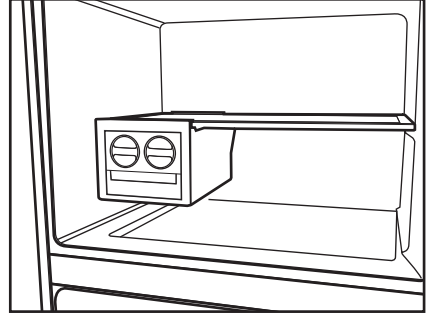
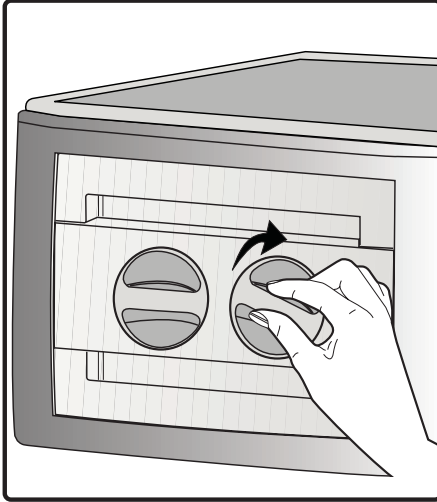
قم بتغيير المياه في خزان المياه إذا ظلت هناك لمدة 2-3 أسابيع.



وحدة صنع الثلج وصندوق تخزين الثلج

استخدام وحدة صنع الثلج
أملء جهاز عمل الثلج بالمياه وضعه في
مكانه. سيتم إعداد الثلج في حوالي ساعتين
تقريباً. لا تخرج صندوق الثلج من مكانه
لإخراج الثلج.
أدر المقابض باتجاه عقارب الساعة كما هو
موضح في الشكل.
ستسقط مكعبات الثلج في خزان الثلج أدناه.
يمكن إخراج خزان الثلج وتقديم مكعبات
الثلج.

يمكن الاحتفاظ بمكعبات الثلج في خزان
الثلج إذا أردت.
صندوق تخزين الثلج
فخزان الثلج مخصص فقط لتجميع مكعبات
الثلج. لا تضع ماء فيه. وإلا فيكسر.



حماية الأسطح البلاستيكية

ج لا تضع زيوتاً سائلة أو وجبات مطبوخة بالزيت في الثلاجة في علب غير معزولة، إذ قد تتسبب في تلف الأسطح البلاستيكية للثلاجة. في حالة انسكاب زيت أو تسربه على الأسطح البلاستيكية، نظف هذا الجزء واشطفه فوراً بماء دافئ.

- ⚠ لا تستخدم الجازولين أو البنزين أو أي مواد مشابهة لأغراض التنظيف.
- ⚠ نوصي بفصل الجهاز عن التيار الكهربائي قبل تنظيفه.
- ⚠ لا تستخدم أبداً أي مواد كاشطة، أو صابون أو منظفات منزلية أو منظفات غسيل أو شمع التلميع عند التنظيف.
- ⚠ استخدم المياه الفاترة لتنظيف صندوق الثلاجة ثم امسحه ليجف.
- ⚠ استخدم قطعة من القماش الملتوية والرطبة مع ملء ملعقة شاي من بيكربونات الصودا مضافة لجالون من الماء لتنظيف الداخل ثم يجفف.
- ⚠ تأكد من عدم دخول المياه إلى مبيت المصباح وغيره من العناصر الكهربائية.
- ⚠ إذا كانت الثلاجة لن تستعمل لفترة زمنية طويلة، فافصل كابل التيار الكهربائي ثم أفرغ جميع الأطعمة ثم نظفها وارك الباب مفتوح جزئياً.
- ⓘ قم بفحص موانع التسرب في الباب بانتظام للتأكد من سلامتهم وخلوهم من جزيئات الطعام.
- ⚠ لإزالة أرفف الباب، أخرج جميع المحتويات ثم ادفع رف الباب لأعلى بعيداً عن القاعدة.

7 استكشاف الأعطال وإصلاحها

يرجى مراجعة هذه القائمة قبل الاتصال بمركز الخدمة. فقد يوفر عليك وقتاً ومالاً. تشمل هذه القائمة الشكاوى التي لم تنتج عن عيوب صناعة أو المواد المستخدمة. قد لا تتوفر بعض الميزات الواردة في هذا الدليل في المنتج الخاص بك.

الثلاجة لا تعمل.

- الثلاجة غير متصلة بالقابس بشكل صحيح. <<< قم بتوصيل القابس بمنفذ الكهرباء بالحائط بإحكام.
- احترق منصهر القابس المتصلة به الثلاجة أو المنصهر الرئيسي. <<< افحص المنصهر.

وجود تكاثف في جانب صندوق الثلاجة (المنطقة المتعددة، التحكم في التبريد، والمنطقة المرنة).

- البيئة المحيطة باردة جداً. <<< لا تقم بتركيب الثلاجة في أماكن تقل فيها درجة الحرارة عن 10 درجة مئوية.
- باب الثلاجة ترك مفتوحاً بشكل متكرر. <<< تجنب تكرار فتح الباب وإغلاقه.
- البيئة المحيطة رطبة جداً. <<< لا تقم بتركيب الثلاجة في أماكن ذات نسبة رطوبة عالية.
- تم تخزين طعاماً يحتوي على سائل في أوعية مفتوحة. <<< لا تخزن طعاماً يحتوي على سائل في أوعية مفتوحة.
- باب الثلاجة مفتوح جزئياً. <<< أغلق باب الثلاجة.
- تم ضبط الترموستات على درجة باردة جداً. <<< اضبط وضع الترموستات إلى الدرجة المناسبة.

جهاز ضغط الهواء لا يعمل

- **i** جسينصهر العازل الحراري لجهاز ضغط الهواء أثناء الانقطاع المفاجئ للتيار الكهربائي أو توصيل قابس الثلاجة بالتيار الكهربائي أو فصله، لأن ضغط الثلاجة في نظام تبريد الثلاجة لم يتوازن بعد. ستبدأ الثلاجة في العمل بعد 6 دقائق تقريباً. يُرجى الاتصال بمركز الصيانة إذا لم تبدأ الثلاجة في العمل بعد انتهاء هذه المدة.
- الثلاجة في دورة إزالة الثلج. <<< هذا أمر عادي لكل الثلاجات الأوتوماتيكية التي تزيل الثلج. تحدث عملية إزالة الثلج دورياً.
- الثلاجة غير متصلة بالقابس. <<< تأكد أن القابس موضوع بإحكام في المقبس.
- لم يتم ضبط درجة الحرارة بشكل سليم. <<< اختر درجة الحرارة المناسبة.
- انقطاع التيار الكهربائي. <<< تعود الثلاجة للتشغيل الطبيعي بعد رجوع التيار الكهربائي.

تزداد حدة ضوضاء التشغيل عند تشغيل الثلاجة.

- **i** قد يتغير أداء الثلاجة تبعاً للتغيرات في درجة الحرارة المحيطة بالثلاجة. وهذا طبيعي ولا يعد ذلك عيباً.



- قد يكون عرض الثلاجة الجديدة أكبر من عرض الثلاجة القديمة. الثلاجات الكبيرة تعمل لفترات أطول.
- قد تكون درجة حرارة المكان مرتفعة. <<< من الطبيعي أن يتم تشغيل المنتج لفترات أطول في الأماكن ذات درجة الحرارة المرتفعة.
- الثلاجة متصلة بالتيار الكهربائي أو تم تحميلها بالطعام مؤخرًا. <<< عندما تكون الثلاجة متصلة بالتيار الكهربائي أو تم تحميلها بالطعام مؤخرًا، فستأخذ وقتًا أطول للوصول إلى درجة الحرارة المضبوطة. هذا شيء طبيعي.
- قد تكون هناك كميات كبيرة من الطعام الساخن تم وضعها في الثلاجة مؤخرًا. <<< لا تضع الأطعمة الساخنة بالثلاجة.
- قد تكون الأبواب مفتوحة بصورة متكررة أو مفتوحة جزئيًا لفترة طويلة. <<< يتسبب الهواء الساخن الذي دخل الثلاجة في تشغيل الثلاجة لفترة أطول. تجنب تكرار فتح الباب.
- قد يكون باب صندوق الفريزر أو الثلاجة مفتوح جزئيًا. <<< تأكد أن الأبواب مغلقة تمامًا.
- تم ضبط الثلاجة على درجة باردة جدًا. <<< اضبط درجة حرارة الفريزر على درجة أعلى وانظر حتى تصل إلى درجة الحرارة المطلوبة.
- قد يكون عازل باب الثلاجة أو الفريزر متسخًا أو باليًا أو متهتكًا أو مثبت بطريقة غير صحيحة. <<< نظف العازل أو استبدله، لأن العازل التالف أو المتهتك يتسبب في أن تعمل الثلاجة لفترات أطول للحفاظ على درجة الحرارة الحالية.

درجة حرارة الفريزر منخفضة جدًا بينما درجة حرارة الثلاجة غير كافية.

- تم ضبط الفريزر على درجة باردة جدًا. <<< اضبط درجة حرارة الفريزر على درجة أعلى ثم تأكد ثانية.

درجة حرارة الثلاجة منخفضة جدًا بينما درجة حرارة الفريزر غير كافية.

- تم ضبط الثلاجة على درجة حرارة باردة جدًا. <<< اضبط درجة حرارة الثلاجة على درجة أعلى ثم تحقق ثانية.

تجمد الطعام المحفوظ في أدراج صندوق الثلاجة.

- تم ضبط الثلاجة على درجة حرارة عالية جدًا. <<< اضبط درجة حرارة الثلاجة على درجة أعلى ثم تحقق ثانية.

درجة حرارة الثلاجة أو الفريزر عالية جدًا.

- تم ضبط الثلاجة على درجة حرارة عالية جدًا. <<< يؤثر ضبط درجة حرارة الثلاجة على درجة حرارة الفريزر. قم بتغيير درجة حرارة الثلاجة أو الفريزر حتى تصل إلى درجة الحرارة المطلوبة لكلا الصندوقين.
- قد تكون الأبواب مفتوحة بصورة متكررة أو مفتوحة جزئيًا لفترة طويلة. <<< تجنب تكرار فتح الباب.
- الباب مفتوح جزئيًا. <<< أغلق الباب تمامًا.
- الثلاجة متصلة بالتيار الكهربائي أو تم تحميلها بالطعام مؤخرًا. <<< هذا شيء طبيعي. عندما تكون الثلاجة متصلة بالتيار الكهربائي أو تم تحميلها بالطعام مؤخرًا، فستأخذ وقتًا أطول للوصول إلى درجة الحرارة المضبوطة.
- قد تكون هناك كميات كبيرة من الطعام الساخن تم وضعها في الثلاجة مؤخرًا. <<< لا تضع الأطعمة الساخنة بالثلاجة.

اهتزازات أو ضوضاء.

- الأرض ليست مستوية أو قوية. <<< إذا كانت الثلاجة تهتز أثناء تحريكها قليلًا، فقم بضبط توازنها من خلال ضبط أرجلها. تأكد من أن الأرض قوية بما يكفي لتحمل الثلاجة ومستوية.
- قد يصدر صوت من الأشياء الموضوعة على الثلاجة <<< قم بإبعاد الأشياء الموجودة عليها.

توجد ضوضاء صادرة من الثلاجة مثل صوت انسكاب سائل أو تثاره.

i تنساب السوائل والغازات وفقًا لقواعد تشغيل الثلاجة. وهذا طبيعي ولا يعد ذلك عيبًا.

سماع صوت صفارة صادر من الثلاجة.

i تستخدم المراوح لتبريد الثلاجة. وهذا طبيعي ولا يعد ذلك عيبًا.

وجود تكاثف في الحوائط الداخلية للثلاجة.

i يزيد الطقس الحار والرطب من التلجيج والتكاثف. وهذا طبيعي ولا يعد ذلك عيبًا.

- قد تكون الأبواب مفتوحة بصورة متكررة أو مفتوحة جزئيًا لفترة طويلة. <<< تجنب تكرار فتح الباب. أغلق الأبواب إذا كانت مفتوحة.
- الباب مفتوح جزئيًا. <<< أغلق الباب تمامًا.

تحديث الرطوبة في الإطار الخارجي للثلاجة أو بين الأبواب.

i قد تكون هناك رطوبة في الهواء وهذا طبيعيًا في الجو الرطب. وعندما تكون الرطوبة أقل؛ يختفي التكثف.

توجد رائحة كريهة داخل الثلاجة.

- لم يتم التنظيف بشكل دوري. << نظف داخل الثلاجة بانتظام مستخدماً قطعة أسفنجية وماء دافئ أو ماء مكرين .
- قد تتسبب بعض الأوعية أو مواد التعبئة في هذه الرائحة. << استخدم وعاء مختلف أو مواد تعبئة مختلفة .
- تم وضع الأطعمة بالثلاجة في أوعية بدون غطاء. << يجب حفظ الأطعمة في أوعية مغطاة. حيث قد تتسبب الكائنات الدقيقة الصادرة عن الأطعمة غير المغطاة في انبعاث روائح كريهة .



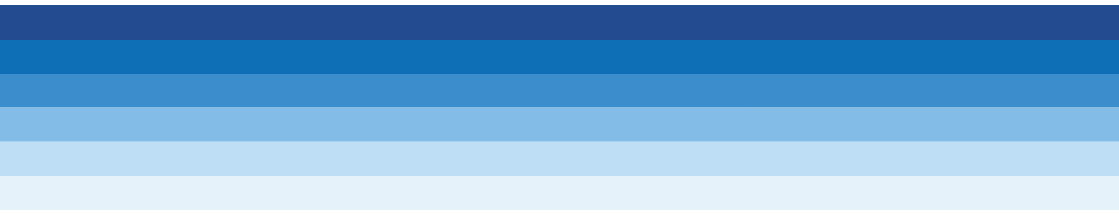
ينبغي عدم الاحتفاظ بالأطعمة منتهية الصلاحية والأطعمة الفاسدة في الثلاجة.

الباب لا يغلق.

- معلبات الطعام تمنع إغلاق الباب. << غير وضع عبوات الطعام التي تعيق الباب .
- الثلاجة ليست موضوعة بشكل رأسي كامل على الأرض. << قم بتعديل الأرجل لضبط اتزان الثلاجة .
- الأرض ليست مستوية أو قوية. << تأكد من أن الأرض مستوية وتحمل الثلاجة .

الأدراج عالقة.

- قد يكون الطعام ملامساً لسقف الدرج. << أعد ترتيب وضع الطعام في الدرج بحيث لا يعوق حركته .



57 1272 0100/AB
EN-AR

Free Manuals Download Website

<http://myh66.com>

<http://usermanuals.us>

<http://www.somanuals.com>

<http://www.4manuals.cc>

<http://www.manual-lib.com>

<http://www.404manual.com>

<http://www.luxmanual.com>

<http://aubethermostatmanual.com>

Golf course search by state

<http://golfingnear.com>

Email search by domain

<http://emailbydomain.com>

Auto manuals search

<http://auto.somanuals.com>

TV manuals search

<http://tv.somanuals.com>