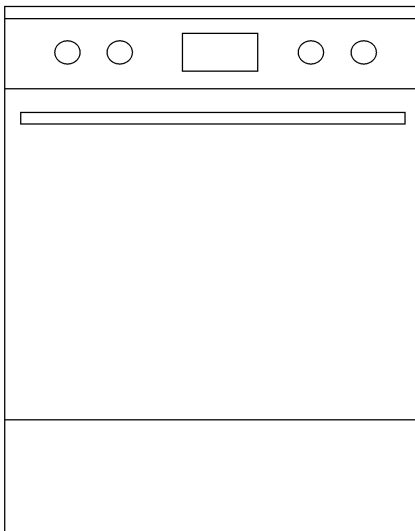


Oven
User Manual

Cuisinière
Manuel d'utilisation

GM 15120 DX PR
GM 15120 DA PR



Please read this user manual first!

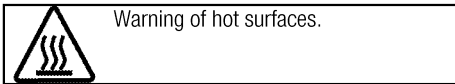
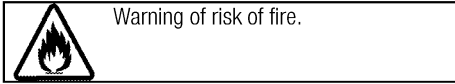
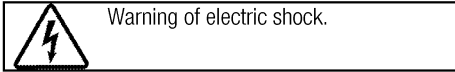
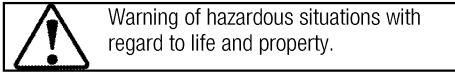
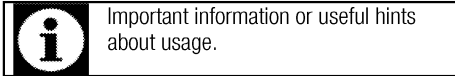
Dear Customer,

Thank you for purchasing this Beko product. We hope that you get the best results from your product which has been manufactured with high quality and state-of-the-art technology. Therefore, please read this entire user manual and all other accompanying documents carefully before using the product and keep it as a reference for future use. If you handover the product to someone else, give the user manual as well. Follow all warnings and information in the user manual.

Remember that this user manual is also applicable for several other models. Differences between models will be identified in the manual.

Explanation of symbols

Throughout this user manual the following symbols are used:



Arçelik A.Ş.

Karaağaç caddesi No:2-6
34445 Sütlüce/İstanbul/TURKEY

Made in TURKEY



This product was manufactured using the latest technology in environmentally friendly conditions.

TABLE OF CONTENTS

1 Important instructions and warnings for safety and environment 4

General safety.....	4
Safety when working with gas.....	4
Electrical safety.....	5
Product safety.....	6
Intended use.....	7
Safety for children.....	8
Disposing of the old product.....	8
Package information.....	8

2 General information 9

Overview.....	9
Package contents.....	10
Technical specifications.....	11
Injector table.....	12

3 Installation 13

Before installation.....	13
Installation and connection.....	14
Gas conversion.....	16
Future Transportation.....	17

4 Preparation 18

Tips for saving energy.....	18
Initial use.....	18
Time setting.....	18
First cleaning of the appliance.....	18
Initial heating.....	18

5 How to use the hob 19

General information about cooking.....	19
Using the hobs.....	19

6 How to operate the oven 21

General information on baking, roasting and grilling.....	21
How to operate the electric oven.....	21
Operating modes.....	22
Using the oven clock.....	22
Cooking times table.....	23
How to operate the grill.....	24
Cooking times table for grilling.....	24

7 Maintenance and care 25

General information.....	25
Cleaning the hob.....	25
Cleaning the control panel.....	25
Cleaning the oven.....	25
Removing the oven door.....	26
Removing the door inner glass.....	26
Replacing the oven lamp.....	27

8 Troubleshooting 28

1 Important instructions and warnings for safety and environment

This section contains safety instructions that will help protect from risk of personal injury or property damage. Failure to follow these instructions shall void any warranty.

General safety

- This appliance can be used by children aged from 8 years and above and persons with reduced physical, sensory or mental capabilities or lack of experience and knowledge if they have been given supervision or instruction concerning use of the appliance in a safe way and understand the hazards involved.

Children shall not play with the appliance. Cleaning and user maintenance shall not be made by children without supervision.

- Never place the product on a carpet-covered floor. Otherwise, lack of airflow beneath the product will cause electrical parts to overheat. This will cause problems with your product.
- Installation and repair procedures must always be performed by Authorized Service Agents. The manufacturer shall not be held responsible for damages arising from procedures carried out by unauthorized persons which may

also void the warranty. Before installation, read the instructions carefully.

- Do not operate the product if it is defective or has any visible damage.
- Control that the product function knobs are switched off after every use.

Safety when working with gas

- Any works on gas equipment and systems may only be carried out by authorised qualified persons who are Gas Safe registered.
- Prior to the installation, ensure that the local distribution conditions (nature of the gas and gas pressure) and the adjustment of the appliance are compatible.
- This appliance is not connected to a combustion products or evacuation device. It shall be installed and connected in accordance with current installation regulations. Particular attention shall be given to the relevant requirements regarding ventilation; See *Before installation*, page 13
- The use of gas cooking appliance results in the production of heat and moisture in the room in which it is installed. Ensure that the

kitchen is well ventilated: keep natural ventilation holes open or install a mechanical ventilation device (mechanical extractor hood). Prolonged intensive use of the appliance may call for additional ventilation, for example increasing the level of the mechanical ventilation where present.

- Gas appliances and systems must be regularly checked for proper functioning. Regulator, hose and its clamp must be checked regularly and replaced within the periods recommended by its manufacturer or when necessary.
- Clean the gas burners regularly. The flames should be blue and burn evenly.
- Good combustion is required in gas appliances. In case of incomplete combustion, carbon monoxide (CO) might develop. Carbon monoxide is a colourless, odourless and very toxic gas, which has a lethal effect even in very small doses.
- Request information about gas emergency telephone numbers and safety measures in case of gas smell from you local gas provider.

What to do when you smell gas

- Do not use open flame or do not smoke. Do not operate any

electrical buttons (e.g. lamp button, door bell and etc.) Do not use fixed or mobile phones. Risk of explosion and toxication!

- Open doors and windows.
- Turn off all valves on gas appliances and gas meter at the main control valve, unless it's in a confined space or cellar.
- Check all tubes and connections for tightness. If you still smell gas leave the property.
- Warn the neighbours.
- Call the fire-brigade. Use a telephone outside the house.
- Do not re-enter the property until you are told it is safe to do so.

Electrical safety

- If the product has a failure, it should not be operated unless it is repaired by the Authorized Service Agent. There is the risk of electric shock!
- Only connect the product to a grounded outlet/line with the voltage and protection as specified in the "Technical specifications". Have the grounding installation made by a qualified electrician while using the product with or without a transformer. Our company shall not be liable for any problems arising due to the product not being earthed in accordance with the local regulations.

- Never wash the product by spreading or pouring water onto it! There is the risk of electric shock!
- ever touch the plug with wet hands! Never unplug by pulling on the cable, always pull out by grabbing the plug.
- The product must be unplugged during installation, maintenance, cleaning and repairing procedures.
- If the power connection cable for the product is damaged, it must be replaced by the manufacturer, its service agent or similiary qualified persons in order to avoid a hazard.
- The appliance must be installed so that it can be completely disconnected from the network. The separation must be provided either by a mains plug, or a switch built into the fixed electrical installation, according to construction regulations.
- Rear surface of the oven gets hot when it is in use. Make sure that the gas/electrical connection does not contact the rear surface; otherwise, connections can get damaged.
- Do not trap the mains cable between the oven door and frame and do not route it over hot surfaces. Otherwise, cable insulation may melt and cause fire as a result of short circuit.
- Any work on electrical equipment and systems should only be carried out by authorized and qualified persons.
- In case of any damage, switch off the product and disconnect it from the mains. To do this, turn off the fuse at home.
- Make sure that fuse rating is compatible with the product.

Product safety

- The appliance and its accessible parts become hot during use. Care should be taken to avoid touching heating elements. Children less than 8 years of age shall be kept away unless continuously supervised.
- Never use the product when your judgment or coordination is impaired by the use of alcohol and/or drugs.
- Be careful when using alcoholic drinks in your dishes. Alcohol evaporates at high temperatures and may cause fire since it can ignite when it comes into contact with hot surfaces.
- Do not place any flammable materials close to the product as the sides may become hot during use.
- During use the appliance becomes hot. Care should be taken to avoid touching heating elements inside the oven.

- Keep all ventilation slots clear of obstructions.
- Do not heat closed tins and glass jars in the oven. The pressure that would build-up in the tin/jar may cause it to burst.
- Do not place baking trays, dishes or aluminium foil directly onto the bottom of the oven. The heat accumulation might damage the bottom of the oven.
- Do not use harsh abrasive cleaners or sharp metal scrapers to clean the oven door glass since they can scratch the surface, which may result in shattering of the glass.
- Do not use steam cleaners to clean the appliance as this may cause an electric shock.
- Use the shelves as described in "How to operate the electric oven".
- Do not use the product if the front door glass removed or cracked.
- Oven handle is not towel dryer. Do not hang up towel, gloves, or similar textile products when the grill function is at open door.
- Always use heat resistant oven gloves when putting in or removing dishes into/from the hot oven.
- Ensure that the appliance is switched off before replacing the lamp to avoid the possibility of electric shock.
- Unattended cooking on a hob with fat or oil can be dangerous and may result in fire. NEVER try to extinguish a fire with water, but

switch off the appliance and then cover flame e.g. with a lid or a fire blanket.

- Danger of fire: Do not store items on the cooking surfaces.

For the reliability of the fire of the product;

- Make sure the plug is fitting to socket as well for not cause to spark.
- Do not use damaged or cutted or extension cable except the original cable.
- Make sure that not whether liquid or moisture on the socket is plugged to product .
- Make sure your gas connection is installed as well for not cause the gas leakage.

Intended use

- This product is designed for domestic use. Commercial use will void the guarantee.
- This appliance is for cooking purposes only. It must not be used for other purposes, for example room heating.
- This product should not be used for warming the plates under the grill, drying towels, dish cloths etc. by hanging them on the oven door handles. This product should also not be used for room heating purposes.
- The manufacturer shall not be liable for any damage caused by improper use or handling errors.

- The oven can be used for defrosting, baking, roasting and grilling food.

Safety for children

- Accessible parts may become hot during use. Young children should be kept away.
- The packaging materials will be dangerous for children. Keep the packaging materials away from children. Please dispose of all parts of the packaging according to environmental standards.
- Electrical and/or gas products are dangerous to children. Keep children away from the product when it is operating and do not allow them to play with the product.
- Do not place any items above the appliance that children may reach for.
- When the door is open, do not load any heavy object on it and do not allow children to sit on it. It may overturn or door hinges may get damaged.

Disposing of the old product

Compliance with the WEEE Directive and Disposing of the Waste Product:



This product complies with EU WEEE Directive (2012/19/EU). This product bears a classification symbol for waste electrical and electronic equipment (WEEE).

This product has been manufactured with high quality parts and materials which can be reused and are suitable for recycling. Do not dispose of the waste product with normal domestic and other wastes at the end of its service life. Take it to the collection center for the recycling of electrical and electronic equipment. Please consult your local authorities to learn about these collection centers.

Compliance with RoHS Directive:

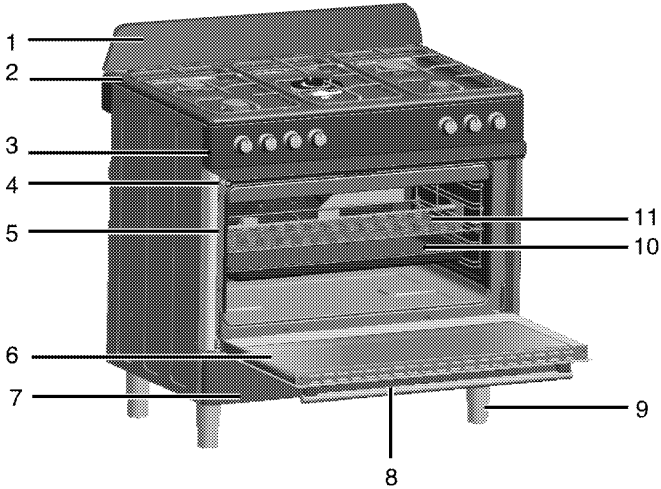
The product you have purchased complies with EU RoHS Directive (2011/65/EU). It does not contain harmful and prohibited materials specified in the Directive.

Package information

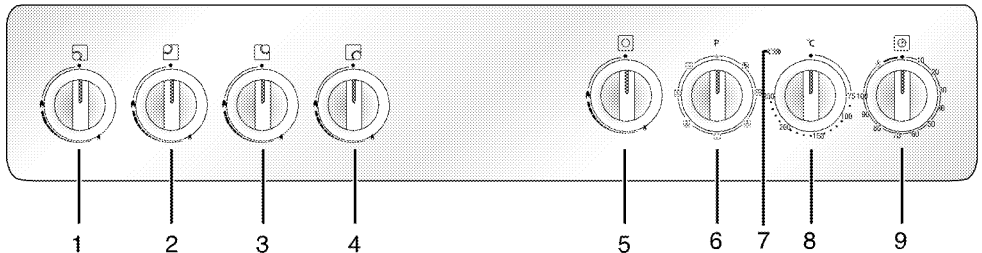
- Packaging materials of the product are manufactured from recyclable materials in accordance with our National Environment Regulations. Do not dispose of the packaging materials together with the domestic or other wastes. Take them to the packaging material collection points designated by the local authorities.

2 General information

Overview



- | | | | |
|---|-----------------|----|---------------------|
| 1 | Splashback | 7 | Storage Compartment |
| 2 | Burner plate | 8 | Handle |
| 3 | Control panel | 9 | Foot |
| 4 | Grill switch | 10 | Tray |
| 5 | Shelf positions | 11 | Wire shelf |
| 6 | Front door | | |



- | | |
|---|------------------------------|
| 1 | Normal burner Front left |
| 2 | Normal burner Rear left |
| 3 | Rapid burner Rear right |
| 4 | Auxiliary burner Front right |
| 5 | Wok burner Middle |
| 6 | Oven knob |
| 7 | Thermostat lamp |
| 8 | Thermostat knob |
| 9 | Minute minder |

Package contents

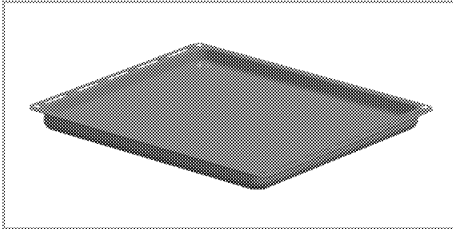


Accessories supplied can vary depending on the product model. Not every accessory described in the user manual may exist on your product.

1. User manual

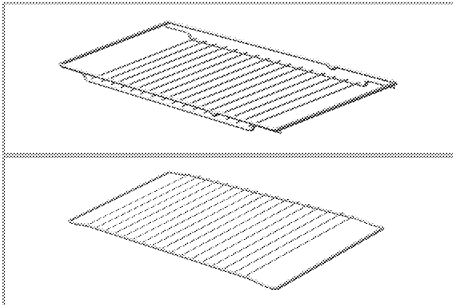
2. Oven tray

Used for pastries, frozen foods and big roasts.



3. Wire Shelf

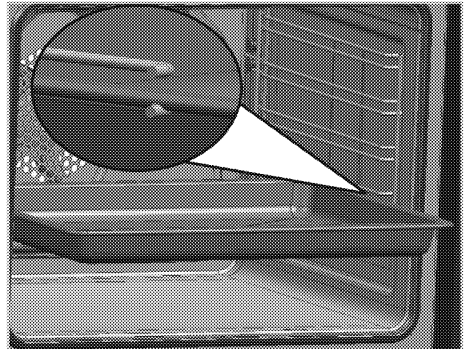
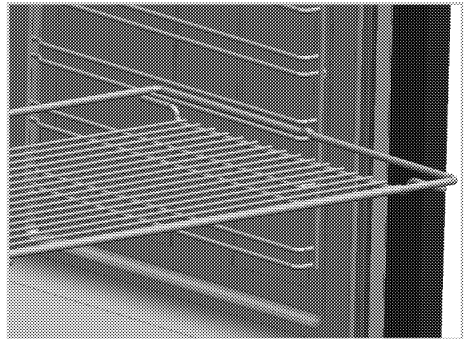
Used for roasting and for placing the food to be baked, roasted or cooked in casserole dishes to the desired rack.



4. Placing the wire shelf and tray onto the wire racks properly

Products without telescopic pull-out: With product without a telescopic pull-out, the baking tray and grill are pushed in with their edges between the runners on the side mounts.

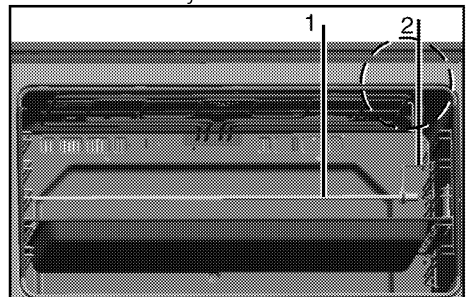
It is important to place the wire shelf and/or tray onto the rack properly. Slide the wire shelf or tray between 2 rails and make sure that it is balanced before placing food on it (Please see the following figure).



5. Rotisserie chicken

Used to grill meat, poultry and fish evenly from all sides.

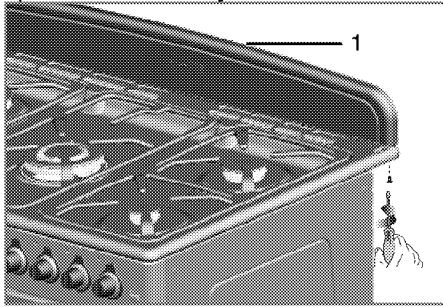
- Fix the food to be grilled to the turn spit with the forks.
- Insert sharp edge of the turn spit into the driver on the left side of the oven cavity and hang up the other end into the turn spit hook on the right side of the oven cavity.



1 Turn spit

2 Turn spit hook

6. Splash back assembly



and bolts required for fixing the splash back to the product.

Position the splash back assembly as indicated.

Secure the splash back assembly to the hob with the nuts and bolts provided. Do not over tighten the bolts in order to avoid any damages to the hob or splash back assembly.

1 Splash back assembly

Remove the splash back assembly from the packaging taking care to retain the two nuts

Technical specifications

GENERAL	
External dimensions (height / width / depth)	850 mm (min) - 920 mm max//900 mm/600 mm
Voltage / frequency	220 - 240 V ~ 50 Hz
Total power consumption	2900 W
Fuse	min. 13 A
Cable type / section	H05VV-FG 3 x 1,5 mm ²
Cable length	max. 2 m
Category of gas product	BE II 2E+3+ / NL II 2L3B/P
Gas type / pressure	NG G 20/20 mbar
Total gas consumption	11.5kW
Converting the gas type / pressure ^S	LPG G 30/28-30 mbar
— optional	Propane31/37 mbar - NG G 25/25 mbar
HOB	
Burners	
Front left	Normal burner
Power	2000 W
Rear left	Normal burner
Power	2000 W
Middle	Wok burner
Power	3600 W
Rear right	Rapid burner
Power	2900 W
Front right	Auxiliary burner
Power	1000 W
OVEN/GRILL	
Main oven	Fan oven
Inner lamp	240 V/15–25 W/E14 SES/T 300 °C
Grill power consumption	2500 W



Technical specifications may be changed without prior notice to improve the quality of the product.



Figures in this manual are schematic and may not exactly match your product.



Values stated on the product labels or in the documentation accompanying it are obtained in laboratory conditions in accordance with relevant standards. Depending on operational and environmental conditions of the product, these values may vary.

Injector table

Position hob zone	2000 W Front left	2000 W Rear left	3600 W Middle	2900 W Rear right	1000 W Front right
Gas type / Gas pressure					
G 20/20 mbar	103	103	147	115	72
G 30/28-30 mbar	72	72	96	87	50
G 25/25 mbar	103	103	147	115	72
G 31/ 37 mbar	72	72	96	87	50

3 Installation

Product must be installed by a qualified person in accordance with the regulations in force. The manufacturer shall not be held responsible for damages arising from procedures carried out by unauthorized persons which may also void the warranty.



Preparation of location and electrical and gas installation for the product is under customer's responsibility.



DANGER:

The product must be installed in accordance with all local gas and/or electrical regulations.



DANGER:

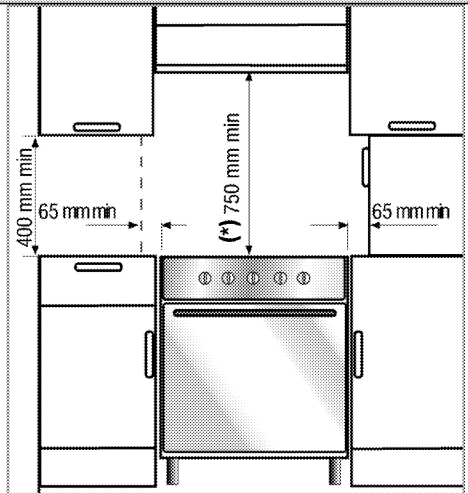
Prior to installation, visually check if the product has any defects on it. If so, do not have it installed.
Damaged products cause risks for your safety.

Before installation

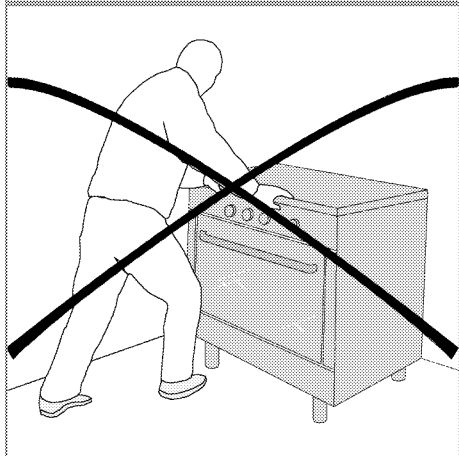
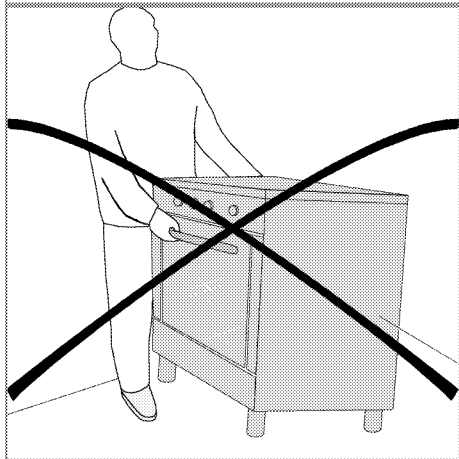
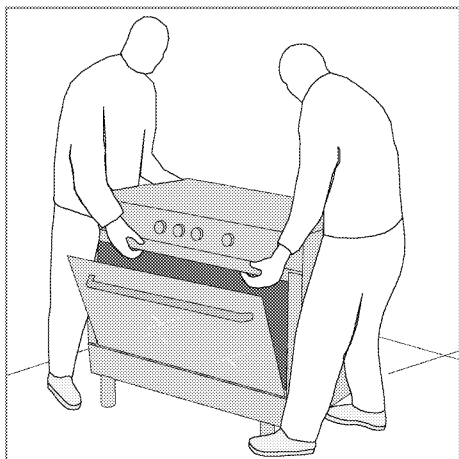
Please note the product is packed without the feet fitted, therefore please ensure the feet are fitted as per the instructions; see *Installation and connection*, page 14 before the appliance is placed in its final position.

To ensure that critical air gaps are maintained under the appliance, we recommend that this appliance is mounted on a solid base and that the feet do not sink into any carpet or soft flooring.

The kitchen floor must be able to carry the weight of the appliance plus the additional weight of cookware and bakeware and food.



- It can be used with cabinets on either side but in order to have a minimum distance of 400mm above hotplate level allow a side clearance of 65mm between the appliance and any wall, partition or tall cupboard.
- It can also be used in a free standing position. Allow a minimum distance of 750 mm above the hob surface.
- (*) If a cooker hood is to be installed above the cooker, refer to cooker hood manufacturer' instructions regarding installation height (min 650 mm).
- Movement of your appliance is most easily achieved by lifting the front as indicated in the drawing. Open the oven door sufficiently to allow a comfortable and safe grip on the underside of the oven roof avoid causing any damage to the grill element or any internal parts of the oven. Do not move by pulling on the door handle or knobs. Move the appliance a bit at a time until placed in the position required.



- The appliance corresponds to device class 1, i.e. it may be placed with the rear and **one**

side to kitchen walls, kitchen furniture or equipment of any size. The kitchen furniture or equipment on the **other** side may only be of the same size or smaller.

- Any kitchen furniture next to the appliance must be heat-resistant (100 °C min.).

Room ventilation

All rooms require an openable window, or equivalent, and some rooms will require a permanent vent as well.

The air for combustion is taken from the room air and the exhaust gases are emitted directly into the room.

Good room ventilation is essential for safe operation of your appliance. If there is no window or door available for room ventilation, an extra ventilation must be installed.

The appliance may be located in a kitchen, kitchen/diner or a bed-sitting room, but not in a room containing a bath or shower. The appliance must not be installed in a bed-sitting room of less than 20m³.

Do not install this appliance in a room below ground level unless it is open to ground level on at least one side.

Room size	Ventilation opening
smaller than 5 m ³	min. 100 cm ²
5 m ³ to 10 m ³	min. 50 cm ²
greater than 10 m ³ /den	not required
In the cellar or basement	min. 65 cm ²

Installation and connection

Product can only be installed and connected in accordance with the statutory installation rules.

i Do not install the product next to refrigerators or freezers. The heat emitted by the product will increase the energy consumption of cooling appliances.

- Carry the product with at least two persons.
- Product must be placed directly on the floor. It must not be placed onto a base or a pedestal.

i Do not use the door and/or handle to carry or move the product. The door, handle or hinges get damaged.

Electrical connection

Connect the product to a grounded outlet/line protected by a fuse of suitable capacity as stated in the "Technical specifications" table. Have the grounding installation made by a qualified electrician while using the product with or without a transformer. Our company shall not be liable for any damages that will arise due to using the product without a grounding installation in accordance with the local regulations.



DANGER:

The product must be connected to the mains supply only by an authorised and qualified person. The product's warranty period starts only after correct installation.

Manufacturer shall not be held responsible for damages arising from procedures carried out by unauthorised persons.



DANGER:

The power cable must not be clamped, bent or trapped or come into contact with hot parts of the product.

A damaged power cable must be replaced by a qualified electrician. Otherwise, there is risk of electric shock, short circuit or fire!

The mains supply data must correspond to the data specified on the type label of the product. The rating plate is either seen when the door or the lower cover is opened or it is located at the rear wall of the unit depending on the unit type. Power cable of your product must comply with the values in "Technical specifications" table.



Power cable plug must be within easy reach after installation (do not route it above the hob).



DANGER:

Before starting any work on the electrical installation, disconnect the product from the mains supply. There is the risk of electric shock!

Plug the power cable into the socket.

Gas connection



DANGER:

Product can be connected to gas supply system only by an authorised and qualified person. Risk of explosion or toxication due to unprofessional repairs! Manufacturer shall not be held responsible for damages arising from procedures carried out by unauthorised persons.



DANGER:

Before starting any work on the gas installation, disconnect the gas supply. There is the risk of explosion!

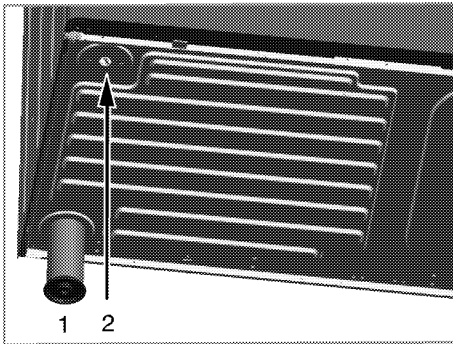
- Gas adjustment conditions and values are stated on labels (or ion type label).
- Refer to the detailed gas connection and gas conversion information in the user manual supplied with your product.



DANGER:

The gas hose must not be clamped, bent or trapped or come into contact with hot parts of the product. There is the risk of explosion due to damaged gas hose.

- Push the product towards the kitchen wall.
- **Adjusting the feet of oven**
Vibrations during use may cause cooking vessels to move. This dangerous situation can be avoided if the product is level and balanced.
For your own safety please ensure the product is level by adjusting the four feet at the bottom by turning left or right and align level with the work top.
- **Adjusting the feet of oven**
4 feet are supplied together with your oven. Each foot must be installed into respective slots located at 4 corners under the oven. Screw the thread of the foot by turning in clockwise.
For your safety, make sure that they are level when screwing all 4 feet. Unbalance of the legs has negative influence on cooking.



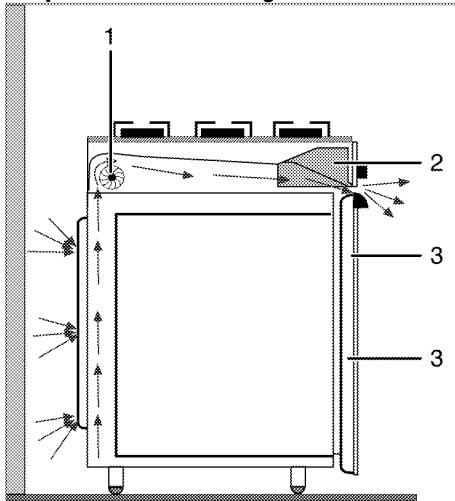
- 1 Foot
- 2 Foot slot

Final check

1. Check electrical functions.
2. Open gas supply.
3. Check gas installations for secure fitting and tightness.
4. Ignite burners and check appearance of the flame.

i Flame must be blue and have a regular shape. If the flame is yellowish, check if the burner cap is seated securely or clean the burner.

For products with cooling fan



- 1 Cooling fan
- 2 Control panel
- 3 Door

The cooling fan cools both the control panel and the front of the appliance.

i Cooling fan continues to run for up to 20-30 minutes (approx.) even after the oven is turned off.

Gas conversion

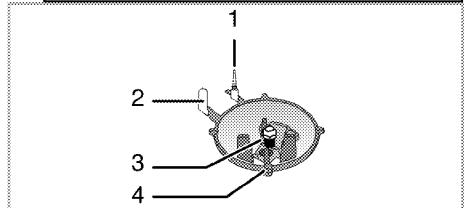
DANGER:
Before starting any work on the gas installation, disconnect the gas supply. There is the risk of explosion!

In order to change your appliance's gas type, change all injectors and make flame adjustment for all valves at reduced flow rate position.

Exchange of injector for the burners

1. Take off burner cap and burner body.
2. Unscrew injectors by turning the counter-clockwise.
3. Fit new injectors.
4. Check all connections for secure fitting and tightness.

i New injectors have their position marked on their packing or injector table on *Injector table, page 12* can be referred to.



- 1 Flame failure device (model dependant)
- 2 Spark plug
- 3 Injector
- 4 Burner

i Unless there is an abnormal condition, do not attempt to remove the gas burner taps. You must call an Authorised service agent if it is necessary to change the taps.

Reduced gas flow rate setting for hob taps

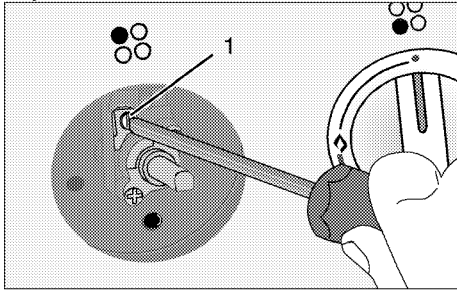
1. Ignite the burner that is to be adjusted and turn the knob to the reduced position.
2. Remove the knob from the gas tap.
3. Use an appropriately sized screwdriver to adjust the flow rate adjustment screw.

For LPG (Butane - Propane) turn the screw clockwise. For the natural gas, you should turn the screw **counter-clockwise** once.

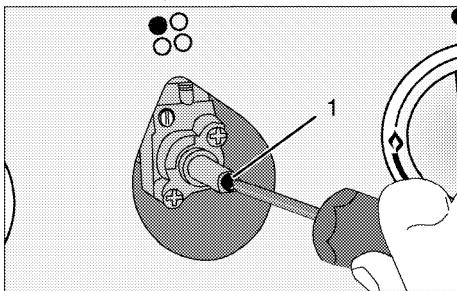
» The normal length of a straight flame in the reduced position should be 6-7 mm.

4. If the flame is higher than the desired position, turn the screw clockwise. If it is smaller turn anticlockwise.
5. For the last control, bring the burner both to high-flame and reduced positions and check whether the flame is on or off.

Depending on the type of gas tap used in your appliance the adjustment screw position may vary.



1 Flow rate adjustment screw



1 Flow rate adjustment screw

i If the gas type of the unit is changed, then the rating plate that shows the gas type of the unit must also be changed.

Future Transportation

- Keep the product's original carton and transport the product in it. Follow the instructions on the carton. If you do not have the original carton, pack the product in bubble wrap or thick cardboard and tape it securely.
- To prevent the wire grill and tray inside the oven from damaging the oven door, place a strip of cardboard onto the inside of the oven door that lines up with the position of the trays. Tape the oven door to the side walls.
- Secure the caps and pan supports with adhesive tape.
- Do not use the door or handle to lift or move the product.

i Do not place any objects onto the product and move it in upright position.

i Check the general appearance of your product for any damages that might have occurred during transportation.

4 Preparation

Tips for saving energy

The following information will help you to use your appliance in an ecological way, and to save energy:

- Use dark coloured or enamel coated cookware in the oven since the heat transmission will be better.
- While cooking your dishes, perform a preheating operation if it is advised in the user manual or cooking instructions.
- Do not open the door of the oven frequently during cooking.
- Try to cook more than one dish in the oven at the same time whenever possible. You can cook by placing two cooking vessels onto the wire shelf.
- Cook more than one dish one after another. The oven will already be hot.
- You can save energy by switching off your oven a few minutes before the end of the cooking time. Do not open the oven door.
- Defrost frozen dishes before cooking them.
- Use pots/pans with cover for cooking. If there is no cover, energy consumption may increase 4 times.
- Select the burner which is suitable for the bottom size of the pot to be used. Always select the correct pot size for your dishes. Larger pots require more energy.

Initial use

Time setting

First cleaning of the appliance



The surface might get damaged by some detergents or cleaning materials.

Do not use aggressive detergents, cleaning powders/creams or any sharp objects during cleaning.

Do not use harsh abrasive cleaners or sharp metal scrapers to clean the oven door glass since they can scratch the surface, which may result in shattering of the glass.

1. Remove all packaging materials.
2. Wipe the surfaces of the appliance with a damp cloth or sponge and dry with a cloth.

Initial heating

Heat up the product for about 30 minutes and then switch it off. Thus, any production residues or layers will be burnt off and removed.



WARNING

Hot surfaces cause burns!

Product may be hot when it is in use. Never touch the hot burners, inner sections of the oven, heaters and etc. Keep children away. Always use heat resistant oven gloves when putting in or removing dishes into/from the hot oven.

Electric oven

1. Take all baking trays and the wire grill out of the oven.
2. Close the oven door.
3. Select Static position.
4. Select the highest oven power; See *How to operate the electric oven, page 21*.
5. Operate the oven for about 30 minutes.
6. Turn off your oven; See *How to operate the electric oven, page 21*

Grill oven

1. Take all baking trays and the wire grill out of the oven.
2. Close the oven door.
3. Select the highest grill power; see *How to operate the grill, page 24*.
4. Operate the grill about 30 minutes.
5. Turn off your grill; see *How to operate the grill, page 24*



Smoke and smell may emit for a couple of hours during the initial operation. This is quite normal. Ensure that the room is well ventilated to remove the smoke and smell. Avoid directly inhaling the smoke and the smell that emits.

5 How to use the hob

General information about cooking



Never fill the pan with oil more than one third of it. Do not leave the hob unattended when heating oil. Overheated oils bring risk of fire. **Never attempt to extinguish a possible fire with water!** When oil catches fire, cover it with a fire blanket or damp cloth. Turn off the hob if it is safe to do so and call the fire department.

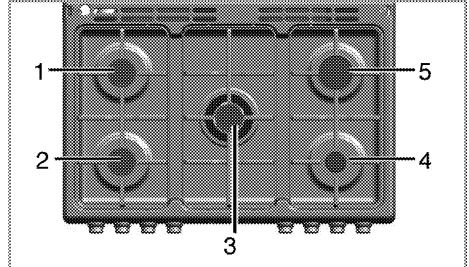
- Before frying foods, always dry them well and gently place into the hot oil. Ensure complete thawing of frozen foods before frying.
- Do not cover the vessel you use when heating oil.
- Place the pans and saucepans in a manner so that their handles are not over the hob to prevent heating of the handles. Do not place unbalanced and easily tilting vessels on the hob.
- Do not place empty vessels and saucepans on cooking zones that are switched on. They might get damaged.
- Operating a cooking zone without a vessel or saucepan on it will cause damage to the product. Turn off the cooking zones after the cooking is complete.
- As the surface of the product can be hot, do not put plastic and aluminum vessels on it. Such vessels should not be used to keep foods either.
- Use flat bottomed saucepans or vessels only.
- Put appropriate amount of food in saucepans and pans. Thus, you will not have to make any unnecessary cleaning by preventing the dishes from overflowing. Do not put covers of saucepans or pans on cooking zones. Place the saucepans in a manner so that they are centered on the cooking zone. When you want to move the saucepan onto another cooking zone, lift and place it onto

the cooking zone you want instead of sliding it.

Gas cooking

- Size of the vessel and the flame must match each other. Adjust the gas flames so that they will not extend the bottom of the vessel and center the vessel on saucepan carrier.

Using the hobs



- 1 Normal burner 18–20 cm
- 2 Normal burner 18–20 cm
- 3 Wok burner 22-24 cm
- 4 Auxiliary burner 16-18 cm
- 5 Rapid burner 20-22 cm is list of advised diameter of pots to be used on related burners.

Large flame symbol indicates the highest cooking power and small flame symbol indicates the lowest cooking symbol. In turned off position (top), gas is not supplied to the burners.

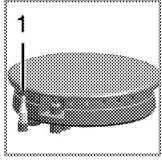
Igniting the gas burners

1. Keep burner knob pressed.
 2. Turn it counter clockwise to large flame symbol.
- » Gas is ignited with the spark created.
3. Adjust it to the desired cooking power.

Turning off the gas burners

Turn the keep warm zone knob to off (upper) position.

Gas shut off safety system (in models with thermic component)



1. Gas shut off safety

As a counter measure against blow out due to fluid overflows at burners, safety mechanism trips and shuts off the gas.

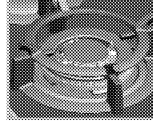
- Push the knob inwards and turn it counter clockwise to ignite.
- After the gas ignites, keep the knob pressed for 3-5 seconds more to engage the safety system.
- If the gas does not ignite after you press and release the knob, repeat the same procedure by keeping the knob pressed for 15 seconds.



DANGER:

Release the button if the burner is not ignited within 15 seconds.
Wait at least 1 minute before trying again.
There is the risk of gas accumulation and explosion!

Wok burner



Wok burners help you to cook faster. Wok, which is particularly used in Asian kitchen is a kind of deep and flat fry-pan made of sheet metal, which is used to cook minced vegetable and meat at strong flame in a short time.

Since meals are cooked at strong flame and in a very short time in such fry-pans that conduct the heat rapidly and evenly, the nutrition value of the food is preserved and vegetables remain crispy. You can use wok burner for regular saucepans as well.

6 How to operate the oven

General information on baking, roasting and grilling



WARNING

Hot surfaces cause burns!

Product may be hot when it is in use. Never touch the hot burners, inner sections of the oven, heaters and etc. Keep children away. Always use heat resistant oven gloves when putting in or removing dishes into/from the hot oven.



DANGER:

Be careful when opening the oven door as steam may escape. Exiting steam can scald your hands, face and/or eyes.

Tips for baking

- Use non-sticky coated appropriate metal plates or aluminum vessels or heat-resistant silicone moulds.
- Make best use of the space on the rack.
- Place the baking mould in the middle of the shelf.
- Select the correct rack position before turning the oven or grill on. Do not change the rack position when the oven is hot.
- Keep the oven door closed.

Tips for roasting

- Treating whole chicken, turkey and large piece of meat with dressings such as lemon juice and black pepper before cooking will increase the cooking performance.
- It takes about 15 to 30 minutes longer to roast meat with bones when compared to roasting the same size of meat without bones.
- Each centimeter of meat thickness requires approximately 4 to 5 minutes of cooking time.
- Let meat rest in the oven for about 10 minutes after the cooking time is over. The juice is better distributed all over the roast and does not run out when the meat is cut.

- Fish should be placed on the middle or lower rack in a heat-resistant plate.

Tips for grilling

When meat, fish and poultry are grilled, they quickly get brown, have a nice crust and do not get dry. Flat pieces, meat skewers and sausages are particularly suited for grilling as are vegetables with high water content such as tomatoes and onions.

- Distribute the pieces to be grilled on the wire shelf or in the baking tray with wire shelf in such a way that the space covered does not exceed the size of the heater.
- Slide the wire shelf or baking tray with grill into the desired level in the oven. If you are grilling on the wire shelf, slide the baking tray to the lower rack to collect fats. Add some water in the tray for easy cleaning.

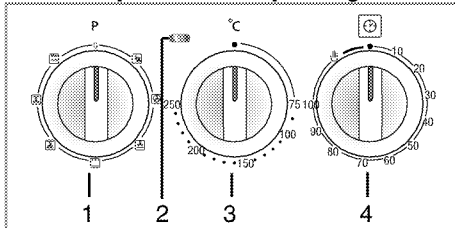


Foods that are not suitable for grilling carry the risk of fire. Only grill food which is suitable for intensive grilling heat.

Do not place the food too far in the back of the grill. This is the hottest area and fatty food may catch fire.

How to operate the electric oven

Select temperature and operating mode



- 1 Oven knob
- 2 Thermostat lamp
- 3 Thermostat knob
- 4 Minute minder

1. Set the oven timer to the desired cooking time; see *Using the oven clock*, page 22.
2. Set the Temperature knob to the desired temperature.
3. Set the Function knob to the desired operating mode.

» Oven heats up to the adjusted temperature and maintains it. During heating, temperature lamp stays on.

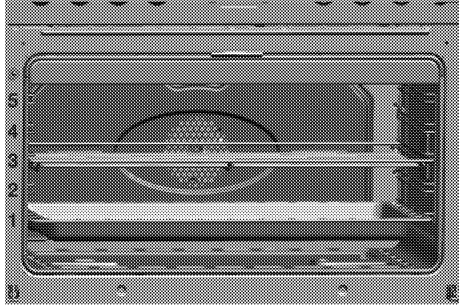
Switching off the electric oven

Switch the oven timer to off position.



When the timer is set to a certain time, it will turn off automatically; see *Using the oven clock*, page 22

Turn the function knob and temperature knob to off (upper) position.



Rack positions (For models with wire shelf)

Operating modes

The order of operating modes shown here may be different from the arrangement on your product.

Top and bottom heating



Top and bottom heating are in operation. Food is heated simultaneously from the top and bottom. For example, it is suitable for cakes, pastries, or cakes and casseroles in baking moulds. Cook with one tray only.

Fan supported bottom/top heating



Top heating, bottom heating plus fan (in the rear wall) are in operation. Hot air is evenly distributed throughout the oven rapidly by means of the fan. Cook with one tray only.

Fan assisted top heating



Top heating and the fan (in the rear wall) are in operation. Hot air is distributed better with fan when compared to the situation where only top heating is in operation.

Fan assisted bottom heating



Bottom heating and the fan (in the rear wall) are in operation. Hot air is distributed better with fan when compared to the situation where only bottom heating is in operation.

Operating with fan



The oven is not heated. Only the oven lamp and the fan (in the rear wall) are in operation. Suitable for thawing frozen granular food slowly at room temperature and cooling down the cooked food.

Fan Heating



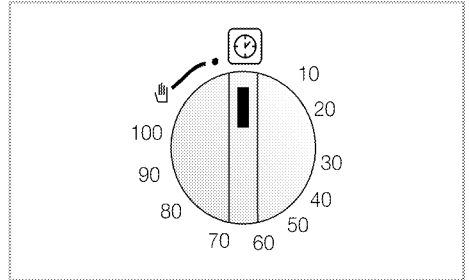
Warm air heated by the rear heater is evenly distributed throughout the oven rapidly by means of the fan. It is suitable for cooking your meals in different rack levels and preheating is not required in most cases. Suitable for cooking with multi trays.

Full grill with turnspit



Full grill and turnspit are in operation. It is suitable for grilling and making rotisserie with large pieces of meat.

Using the oven clock



Starting the cooking



In order to operate the oven, you must select cooking mode and the desired temperature and set the time. Otherwise, the oven will not operate.

1. Turn the Time Adjustment knob clockwise to set the cooking time.
2. Put your dish into the oven.

3. Select operation mode and temperature; see. *How to operate the electric oven, page 21.*

» The oven will be heated up to the preset temperature and will maintain this temperature until the end of the cooking time you selected.

4. Once the cooking time is over, Time Setting knob will automatically rotate counterclockwise. A warning sound indicating that the set time is over is heard and the power is cut.



If you do not want to use the timer function, turn the knob counterclockwise towards the hand symbol.

5. Turn off the oven with the Time Setting knob, function knob and temperature knob.

Turning off the oven before the set time

1. Turn the Time Adjustment knob counterclockwise until it stops.
2. Turn off the oven with the Function knob and Temperature knob.

Cooking times table



The timings in this chart are meant as a guide. Timings may vary due to temperature of food, thickness, type and your own preference of cooking.

Baking and roasting



1st rack of the oven is the **bottom** rack.

Dish	Cooking level number		Rack position	Temperature (°C)	Cooking time (approx. in min.)
**Cakes in tray	One level		2-3	175	25 ... 35
**Cakes in mould	One level		2-3	180	40 ... 50
**Cakes in cooking paper	One level		2-3	175	25 ... 35
	2 levels		1-4	175	30 ... 45
**Sponge cake	One level		2-3	200	10 ... 15
	2 levels		1-4	175	20 ... 35
**Cookie	One level		2-3	175	25 ... 35
	2 levels		1-4	170 ... 190	30 ... 45
**Dough pastry	One level		2-3	200	30 ... 45
**Rich pastry	One level		2-3	200	30 ... 40
	2 levels		1-4	200	40 ... 50
**Leaven	One level		2-3	200	35 ... 50
**Lasagna	One level		2-3	200	30 ... 45
**Pizza (thick)	One level		2-3	200 ... 220	15 ... 20
**Pizza (thin)	One level		2-3	200	10 ... 15
Beef steak (whole) / Roast	One level		2-3	25 min. 250/max, then 180 ... 190	100 ... 120
Leg of Lamb (casserole)	One level		2-3	25 min. 250/max, then 190	70 ... 90
Roasted chicken	One level		2-3	15 min. 250/max, then 180 ... 190	55 ... 65
Turkey (5.5 kg)	One level		1	25 min. 250/max, then 180 ... 190	150 ... 210
Fish	One level		2-3	200	20 ... 30

When cooking with 2 trays at the same time, place the deeper tray on the upper rack and the other one on the lower rack.

How to operate the grill



WARNING

Close oven door during grilling.
Hot surfaces may cause burns!

- Turn the Time Adjustment knob counter clockwise to Hand symbol when grilling.

There is a switch on the door. As a safety precaution, this switch prevents operation of the grill when the door is OPEN.

Switching on the grill

1. Turn the Function knob to the desired grill symbol.
2. Then, select the desired grilling temperature.
3. If required, perform a preheating of about 5 minutes.

» Temperature light turns on.

Switching off the grill

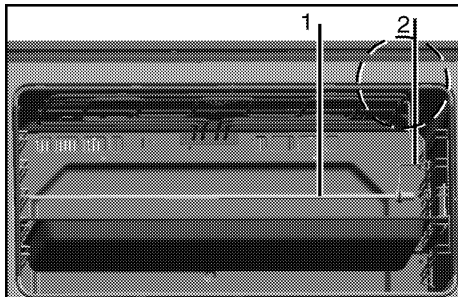
1. Turn the Function knob to Off (top) position.



Foods that are not suitable for grilling carry the risk of fire. Only grill food which is suitable for intensive grilling heat. Do not place the food too far in the back of the grill. This is the hottest area and fatty food may catch fire.

Turnspit function

Used to grill meat, poultry and fish evenly from all sides.



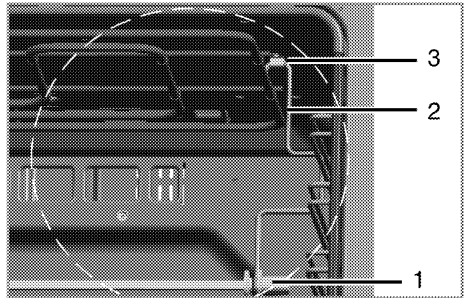
- 1 Turnspit
- 2 Turn spit hook

Cooking times table for grilling

Grilling with electric grill

Food	Insertion level	Grilling time (approx.)
Fish	3..4	20...25 min. #
Sliced chicken	3..4	15...20 min.
Lamb chops	3..4	12...15 min.
Roast beef	3..4	15...25 min. #
Veal chops	3..4	15...25 min. #

depending on thickness



- 3 Turnspit slot

- Fix the food to be grilled to the turn spit with the forks.
- Insert the turn spit into the driver on the left side of the oven cavity and hang up the other end into the turn spit hook (2) on the right side of the oven cavity. Make sure that the turn spit hook is inserted into the turn spit slot (3).
- Place a tray to one of the lower racks in order to collect the fats. Put some water into the tray for ease of cleaning.
- **Do not forget to remove the plastic handle of the turn spit.**
- When cooking completes, attach the plastic handle and remove your food from the oven.



Maximum weight of a chicken or turkey that will be cooked with rotisserie function can not exceed 5 kg.

7 Maintenance and care

General information

Service life of the product will extend and the possibility of problems will decrease if the product is cleaned at regular intervals.

**DANGER:**

Disconnect the product from mains supply before starting maintenance and cleaning works.

There is the risk of electric shock!

**DANGER:**

Allow the product to cool down before you clean it.

Hot surfaces may cause burns!

- Clean the product thoroughly after each use. In this way it will be possible to remove cooking residues more easily, thus avoiding these from burning the next time the appliance is used.
- No special cleaning agents are required for cleaning the product. Use warm water with washing liquid, a soft cloth or sponge to clean the product and wipe it with a dry cloth.
- Always ensure any excess liquid is thoroughly wiped off after cleaning and any spillage is immediately wiped dry.
- Do not use cleaning agents that contain acid or chloride to clean the stainless or inox surfaces and the handle. Use a soft cloth with a liquid detergent (not abrasive) to wipe those parts clean, paying attention to sweep in one direction.



The surface might get damaged by some detergents or cleaning materials.

Do not use aggressive detergents, cleaning powders/creams or any sharp objects during cleaning.

Do not use harsh abrasive cleaners or sharp metal scrapers to clean the oven door glass since they can scratch the surface, which may result in shattering of the glass.



Do not use steam cleaners to clean the appliance as this may cause an electric shock.

Cleaning the hob

Gas hobs

1. Remove and clean the saucepan carriers and burner caps.
2. Clean the hob.
3. Install the burner caps and make sure that they are seated correctly.
4. When installing the upper grills, pay attention to place the saucepan carriers so that the burners are centered.

Cleaning the control panel

Clean the control panel and knobs with a damp cloth and wipe them dry.



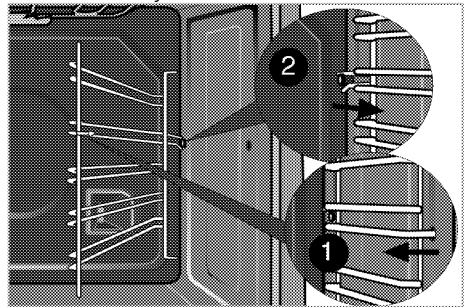
Do not remove the control buttons/knobs to clean the control panel.

Control panel may get damaged!

Cleaning the oven

To clean the side wall

1. Remove the front section of the side rack by pulling it in the opposite direction of the side wall.
2. Remove the side rack completely by pulling it towards you.



Clean oven door

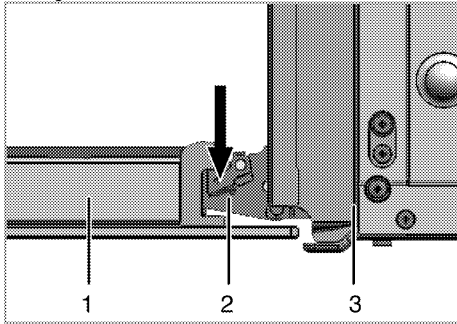
To clean the oven door, use warm water with washing liquid, a soft cloth or sponge to clean the product and wipe it with a dry cloth.



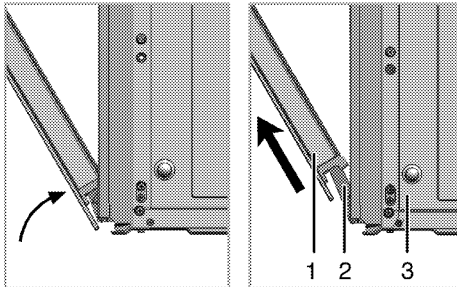
Don't use any harsh abrasive cleaners or sharp metal scrapers for cleaning the oven door. They could scratch the surface and destroy the glass.

Removing the oven door

1. Open the front door (1).
2. Open the clips at the hinge housing (2) on the right and left hand sides of the front door by pressing them down as illustrated in the figure.



- 1 Front door
- 2 Hinge
- 3 Oven



3. Move the front door to half-way.
4. Remove the front door by pulling it upwards to release it from the right and left hinges.



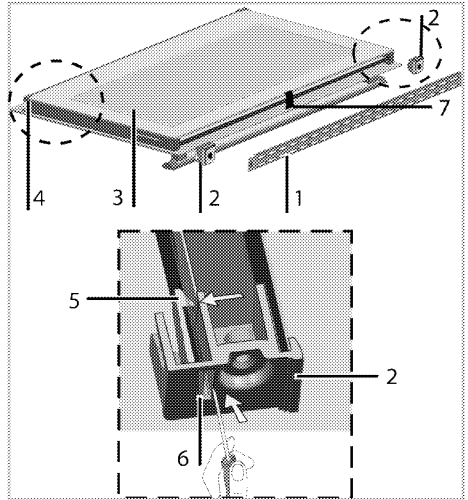
Steps carried out during removing process should be performed in reverse order to install the door. Do not forget to close the clips at the hinge housing when reinstalling the door.

Removing the door inner glass

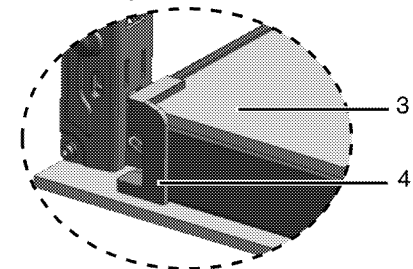
The inner glass panel of the oven door can be removed for cleaning.

1. Open the oven door.
2. Remove the metal part (1) by removing the screws that secure it.

3. To remove the plastic holders (2), use a flat metal or plastic, e.g., a knife, slotted screwdriver, to free the fixing foot (5).
4. Push the fixing foot through the window (6) in arrow direction.



- 1 Metal part
- 2 Plastic carrier
- 3 Inner glass panel
- 4 Lower plastic slot
- 5 Fixing foot
- 6 Window
- 7 Part of glass holder



5. Pull the part (7) in middle toward yourself to release the inner glass panels.
6. Pull the inner glass panel (3) towards yourself until it detaches from its plastic slots (4).
7. Pull Innermost glass panel towards yourself until it detaches from its plastic slots (4) like inner glass panel.

- When reinstalling the glass panel, make sure that it is seated into the plastic slots.

Do not forget to put it back the part of glass holder to its place.

Replacing the oven lamp



DANGER:

Before replacing the oven lamp, make sure that the product is disconnected from mains and cooled down in order to avoid the risk of an electrical shock. Hot surfaces may cause burns!



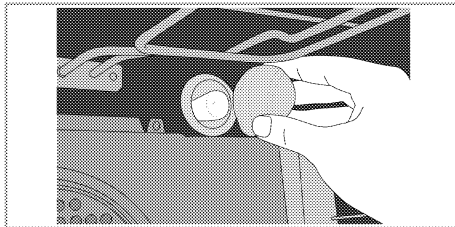
The oven lamp is a special electric light bulb that can resist up to 300 °C. See *Technical specifications, page 11* for details. Oven lamps can be obtained from Authorised Service Agents.



Position of lamp might vary from the figure.

If your oven is equipped with a round lamp:

- Disconnect the product from mains.
- Turn the glass cover counter clockwise to remove it.



- Remove the oven lamp by turning it counter clockwise and replace it with the new one.
- Install the glass cover.

8 Troubleshooting

Oven emits steam when it is in use.

- It is normal that steam escapes during operation. >>> *This is not a fault.*

Product emits metal noises while heating and cooling.

- When the metal parts are heated, they may expand and cause noise. >>> *This is not a fault.*

Product does not operate.

- The mains fuse is defective or has tripped. >>> *Check fuses in the fuse box. If necessary, replace or reset them.*
- Product is not plugged into the (grounded) socket. >>> *Check the plug connection.*

Oven light does not work.

- Oven lamp is defective. >>> *Replace oven lamp.*
- Power is cut. >>> *Check if there is power. Check the fuses in the fuse box. If necessary, replace or reset the fuses.*

Oven does not heat.

- Function and/or Temperature are not set. >>> *Set the function and the temperature with the Function and/or Temperature knob/key.*
- In models equipped with a timer, the timer is not adjusted. >>> *Adjust the time.* (In products with microwave oven, timer controls only microwave oven.)
- Power is cut. >>> *Check if there is power. Check the fuses in the fuse box. If necessary, replace or reset the fuses.*

There is no ignition spark.

- No current. >>> *Check fuses in the fuse box.*
- Time is not set. >>> *Set the time.*

There is no gas.

- Main gas valve is closed. >>> *Open gas valve.*
- Gas pipe is bent. >>> *Install gas pipe properly.*

Burners are not burning properly or at all.

- Burners are dirty. >>> *Clean burner components.*
- Burners are wet. >>> *Dry the burner components.*
- Burner cap is not mounted safely. >>> *Mount the burner cap properly.*
- Gas valve is closed. >>> *Open gas valve.*
- Gas cylinder is empty (when using LPG). >>> *Replace gas cylinder.*

(In models with timer) Clock display is blinking or clock symbol is on.

- A previous power outage has occurred. >>> *Adjust the time / Switch of the product and switch it on again.*



Consult the Authorised Service Agent or the dealer where you have purchased the product if you can not remedy the trouble although you have implemented the instructions in this section. Never attempt to repair a defective product yourself.

Avant de commencer, bien vouloir lire ce manuel d'utilisation !

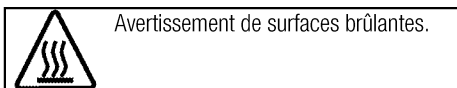
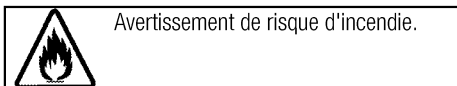
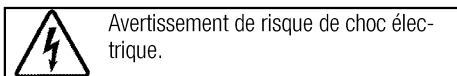
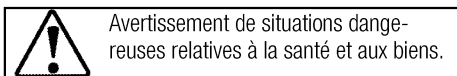
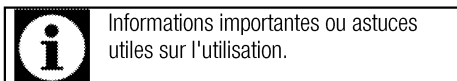
Chère cliente, cher client,

Nous vous remercions d'avoir porté votre choix sur un produit Beko. Nous espérons que vous tirerez le meilleur parti de votre produit, qui a été fabriqué avec une technologie de pointe et de qualité supérieure. C'est pourquoi nous vous prions de lire attentivement le présent manuel et tous les autres documents connexes dans leur intégralité avant d'utiliser le produit et de les conserver ensuite car vous pourrez avoir besoin de vous en servir ultérieurement. Si vous cédez l'appareil à une tierce personne, n'oubliez pas de lui fournir le Manuel d'utilisation également. Respectez tous les avertissements et informations contenus dans le manuel d'utilisation.

Souvenez-vous que ce Manuel d'utilisation s'applique également à plusieurs autres modèles. Les différences entre les modèles seront identifiées dans le manuel.

Explication des symboles

Vous trouverez les symboles suivants dans ce Manuel d'utilisation :



Arçelik A.Ş.
Karaağaç caddesi No:2-6
34445 Sülüce/Istanbul/TURKEY
Made in TURKEY

1 Instructions importantes et mises en garde relatives à la sécurité et à l'environnement 4

Sécurité générale4
 Sécurité lors de travaux concernant le gaz4
 Sécurité électrique6
 Sécurité du produit.....7
 Utilisation prévue.....8
 Sécurité des enfants.....8
 Mise au rebut de l'ancien appareil.....9
 Elimination des emballages.....9

2 Généralités 10

Vue d'ensemble10
 Contenu de l'emballage.....11
 Caractéristiques techniques12
 Tableau des injecteurs.....13

3 Installation 14

Avant l'installation14
 Installation et branchement.....15
 Conversion du gaz.....17
 Déplacement ultérieur18

4 Préparations 20

Conseils pour faire des économies d'énergie .20
 Première utilisation20
 Réglage du temps initial20
 Premier nettoyage de l'appareil.....20
 Première cuisson20

5 Utilisation de la table de cuisson 21

Généralités concernant la cuisson 21
 Utilisation des tables de cuisson..... 21

6 Utilisation du four 23

Informations générales concernant la pâtisserie, la rôtisserie et les grillades..... 23
 Utilisation du four électrique..... 24
 Modes de fonctionnement..... 24
 Utilisation de l'horloge du four 25
 Tableau des temps de cuisson 25
 Utilisation du grill..... 26
 Tableau des temps de cuisson pour le grill.... 27

7 Maintenance et entretien 28

Généralités 28
 Nettoyage de la table de cuisson 28
 Nettoyage du bandeau de commande..... 28
 Nettoyage du four..... 28
 Retirer la porte du four..... 29
 Retrait de la vitre de la porte 29
 Remplacement de l'ampoule du four 30

8 Recherche et résolution des pannes 31

1 Instructions importantes et mises en garde relatives à la sécurité et à l'environnement

Ce chapitre contient les instructions de sécurité qui vous aideront à éviter les risques de blessure corporelle ou de dégâts matériels. Le non respect de ces instructions entraînera l'annulation de toute garantie.

Sécurité générale

- Cet appareil peut être utilisé par des enfants de 8 ans et plus et des personnes aux capacités physiques, sensorielles ou mentales réduites ou des personnes dénuées d'expérience ou de connaissance si elles ont pu bénéficier d'une surveillance ou d'instructions concernant l'utilisation de l'appareil en toute sécurité et comprennent les risques encourus.

Les enfants ne doivent pas jouer avec l'appareil. Le nettoyage et l'entretien ne doivent pas être effectués par un enfant sans surveillance.

- Ne jamais poser l'appareil sur un sol recouvert de moquette. Dans le cas contraire, l'absence de circulation d'air en-dessous de l'appareil entraînera la surchauffe des pièces électriques. Cette surchauffe causera des dommages à votre appareil.

- Les procédures d'installation et de réparation doivent en tout temps être effectuées par des agents d'entretien qualifiés. Le fabricant ne sera pas responsable des dommages causés à la suite d'une utilisation faite par des personnes non qualifiées, situation susceptible d'annuler aussi la garantie. Avant l'installation, lisez attentivement les instructions.
- Ne faites pas fonctionner l'appareil s'il est défectueux ou présente des dégâts visibles.
- Assurez-vous que les boutons de fonctionnement de l'appareil sont en position d'arrêt après chaque utilisation.

Sécurité lors de travaux concernant le gaz

- Toutes les opérations sur des équipements et des systèmes de gaz ne peuvent être réalisées que par des personnes habilitées et qualifiées.
- Avant l'installation, assurez-vous que les conditions de distribution locale (type et pression du gaz) sont compatibles aux réglages de l'appareil.
- Cet appareil n'est pas raccordé à un dispositif d'évacuation des produits de la combustion. Il doit

être installé et raccordé conformément aux réglementations d'installation en vigueur. Une attention particulière doit être portée aux exigences applicables concernant la ventilation; consultez *Avant l'installation*, page 14.

- L'utilisation d'un appareil de cuisson à gaz produit de la chaleur, de l'humidité et des produits de combustion dans la pièce où il est installé. Veillez à ce que la cuisine soit bien ventilée. Notamment quand l'appareil est en fonctionnement: Gardez les espaces de ventilation ouverts ou installez un appareil de ventilation mécanique (hotte aspirante). Une utilisation intensive prolongée de l'appareil peut nécessiter une ventilation supplémentaire. À titre d'exemple, vous pouvez renforcer le niveau de ventilation mécanique le cas échéant.
- Les appareils et les systèmes à gaz doivent être vérifiés régulièrement pour assurer leur fonctionnement correct. Le régulateur, le tuyau et son collier de serrage doivent être vérifiés régulièrement et remplacés à la fréquence recommandée par le fabricant ou lorsque nécessaire.
- Nettoyez régulièrement les brûleurs à gaz. Les flammes doivent

être bleues et brûler de manière uniforme.

- Une bonne combustion est nécessaire dans les appareils à gaz. En cas de combustion incomplète, du monoxyde de carbone (CO) pourrait être généré. Le monoxyde de carbone est incolore, inodore et très toxique, pouvant être mortel même à très petites doses.
- Demandez les informations concernant les numéros de téléphone d'urgence et les mesures de sécurité à prendre en cas d'odeur de gaz auprès de votre fournisseur en gaz.

Que faire si vous sentez une odeur de gaz

- N'utilisez pas de flamme nue et ne fumez pas. N'appuyez sur aucun bouton électrique (ex., bouton de l'ampoule, sonnette d'entrée, etc.) N'utilisez pas de téléphone fixe ou de téléphone portable. Risque d'explosion et d'intoxication !
- Ouvrez les portes et fenêtres.
- Fermez toutes les valves sur les appareils à gaz et les compteurs de gaz.
- Vérifiez le branchement de tous les tuyaux et raccords. Si vous sentez toujours une odeur de gaz, quittez l'appartement.
- Avertissez les voisins.

- Contactez les pompiers. Utilisez un téléphone en-dehors de votre domicile.
- Ne rentrez pas dans votre domicile tant qu'on ne vous a pas indiqué que cela pouvait se faire en toute sécurité.

Sécurité électrique

- Si le produit est en panne, ne l'utilisez pas, à moins qu'il ne soit réparé par un Agent d'entretien agréé. Vous risqueriez un choc électrique !
- Branchez l'appareil uniquement à une sortie/ligne avec mise à la terre ainsi que la tension et la protection spécifiées dans le chapitre « Spécifications techniques ». Faites installer la mise à la terre par un électricien qualifié lorsque vous utilisez l'appareil avec ou sans transformateur. Notre entreprise décline sa responsabilité par rapport à tout problème consécutif à la non mise à la terre de l'appareil suivant la réglementation locale en vigueur.
- Ne lavez jamais l'appareil en y versant de l'eau. Vous risqueriez un choc électrique !
- Ne touchez jamais la prise si vous avez des mains mouillées ! De même, ne débranchez jamais l'appareil en le tirant par le câble. Pour ce faire, il est conseillé de toujours tenir la prise avant de la tirer.
- Débranchez l'appareil pendant les opérations d'installation, d'entretien, de nettoyage et de réparation.
- Si le cordon d'alimentation est endommagé, il doit être remplacé par le fabricant, l'un de ses techniciens ou une personne de qualification similaire afin d'éviter tout risque.
- Installez l'appareil de sorte que l'on puisse le déconnecter complètement du réseau. La séparation doit être effectuée par une prise secteur ou un commutateur intégré à l'installation électrique fixe, suivant la réglementation en matière de construction.
- La surface arrière du four devient chaude pendant l'utilisation. Vérifiez que le raccordement de gaz/électrique n'est pas en contact avec la surface arrière, cela pourrait endommager les connexions.
- Ne pas coincer le câble d'alimentation entre la porte du four et le châssis et ne pas le faire passer sur des surfaces brûlantes. Dans le cas contraire, l'isolation du câble pourrait fondre et provoquer un incendie suite à un court-circuit.

- Toutes les opérations sur des équipements et des systèmes électriques ne peuvent être réalisées que par des personnes habilitées et qualifiées.
- En cas de dégâts, éteignez l'appareil et débranchez-le du secteur. Pour ce faire, coupez le fusible domestique.
- Vérifiez que la tension du fusible est compatible avec l'appareil.

Sécurité du produit

- Les parties accessibles de l'appareil deviennent chaudes au cours de son utilisation. Des mesures doivent être prises pour éviter de toucher aux éléments de chauffage. Les enfants de moins de 8 ans doivent être maintenus à l'écart, sauf s'ils sont continuellement surveillés.
- Ne jamais utiliser l'appareil lorsque le jugement ou la coordination est affectée par l'alcool et/ou la drogue.
- Prenez garde lorsque vous utilisez des boissons alcoolisées dans vos plats. L'alcool s'évapore à températures élevées et peut provoquer un incendie étant donné qu'il peut s'enflammer lorsqu'il entre en contact avec des surfaces chaudes.
- Assurez-vous qu'aucune substance inflammable ne soit placée à proximité de l'appareil étant

donné que les côtés peuvent chauffer pendant son utilisation.

- L'appareil chauffe pendant son utilisation. Des mesures doivent être prises pour éviter de toucher aux éléments de chauffage qui se trouvent à l'intérieur du four.
- épargnez les ouvertures de ventilation d'éventuelles obstructions.
- Ne pas faire chauffer de boîtes de conserves et de bocaux en verre clos dans le four. La pression qui s'accumulerait dans la boîte/le bocal pourrait le faire éclater.
- Ne placez pas de plaques de cuisson, de plats ou de feuille d'aluminium directement sur le bas du four. L'accumulation de chaleur pourrait endommager le fond du four.
- N'utilisez pas de nettoyeurs fortement abrasifs ou de grattoir en métal affûté pour nettoyer la porte vitrée du four car ils peuvent rayer la surface, ce qui peut entraîner fêler la vitre.
- N'utilisez pas de nettoyeurs à vapeur pour le nettoyage de l'appareil, car ceux-ci présentent un risque d'électrocution.
- Utilisez les grilles telles que décrites dans la section « Utilisation du four électrique ».
- Ne pas utiliser l'appareil si la porte en verre est absente ou fendue.

- La poignée du four n'est pas un sèche-serviettes. Ne pendez pas de serviettes, gants ou produits textiles similaires lorsque la porte est ouverte avec la fonction grill.
- Utilisez toujours des gants de protection thermique lorsque vous placez dans ou retirez des plats du four chaud.
- Assurez-vous d'avoir éteint l'appareil avant de procéder au remplacement de l'ampoule. Cette précaution vous évite tout risque de choc électrique.
- Le fait de cuire les aliments contenant de l'huile ou des matières grasses sur une table de cuisson sans surveillance peut s'avérer dangereux, au point de provoquer un incendie. N'essayez JAMAIS d'éteindre le feu avec de l'eau. Coupez plutôt l'alimentation de l'appareil, puis couvrez la flamme avec un couvercle ou une couverture pare-flammes.
- Danger d'incendie : ne rien conserver sur les surfaces de cuisson.

Pour que le feu produit par votre appareil soit fiable,

- veillez à ce que la fiche soit bien branchée dans la prise afin que des étincelles ne se produisent pas.
- Utilisez uniquement les câbles de rallonge d'origine, et veillez à ce

qu'ils ne soient pas coupés ou autrement endommagés.

- Assurez-vous également que la prise ne contient pas de liquide ni de moisissure avant de brancher l'appareil.
- Veillez enfin à ce que votre connexion au gaz soit installée afin d'éviter toute fuite de gaz.

Utilisation prévue

- Cet appareil est conçu pour un usage domestique. L'utilisation commerciale est interdite.
- Cette appareil doit être utilisé seulement à des fins de cuisson. Il ne doit pas être utilisé à d'autres fins, par exemple le chauffage de la pièce.'
- Évitez d'utiliser cet appareil pour réchauffer les assiettes sous le grill, accrocher des serviettes et des torchons, etc. sur les poignées, sécher et réchauffer quoi que ce soit.
- Le fabricant ne saurait être tenu responsable des dégâts causés par une utilisation ou une manipulation incorrecte.
- Le four peut être utilisé pour décongeler, cuire, rôti et griller des aliments.

Sécurité des enfants

- Les parties accessibles peuvent s'échauffer pendant l'utilisation. Les enfants doivent être tenus à l'écart.

- Les matériaux d'emballage peuvent présenter un danger pour les enfants. Gardez les matériaux d'emballage hors de portée des enfants. Veuillez jeter les pièces de l'emballage en respectant les normes écologiques.
- Les appareils électriques et/ou à gaz sont dangereux pour les enfants. Tenez les enfants à l'écart de l'appareil lorsqu'il fonctionne et interdisez-leur de jouer avec.
- Ne rangez pas d'objets au dessus de l'appareil que les enfants pourraient atteindre.
- Lorsque la porte avant est ouverte, **ne posez pas** d'objets lourds dessus et **ne permettez pas** aux enfants de s'y asseoir. Il pourrait basculer ou les charnières de porte être endommagées.

Mise au rebut de l'ancien appareil

Conformité avec la directive DEEE et mise au rebut des déchets :



Ce produit est conforme à la directive DEEE (2012/19/UE) de l'Union européenne). Ce produit porte un symbole de classification pour la mise au rebut des équipements électriques et électroniques (DEEE).

Le présent produit a été fabriqué avec des pièces et du matériel de qualité

supérieure susceptibles d'être réutilisés et adaptés au recyclage. Par conséquent, nous vous conseillons de ne pas le mettre au rebut avec les ordures ménagères et d'autres déchets à la fin de sa durée de vie. Au contraire, rendez-vous dans un point de collecte pour le recyclage de tout matériel électrique et électronique. Veuillez vous rapprocher des autorités de votre localité pour plus d'informations concernant le point de collecte le plus proche.

Conformité avec la directive LdSD :

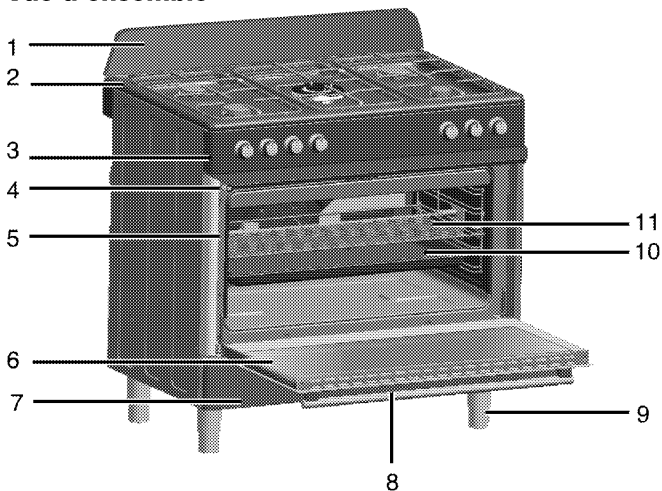
L'appareil que vous avez acheté est conforme à la directive LdSD (2011/65/UE) de l'Union européenne. Il ne comporte pas les matériels dangereux et interdits mentionnés dans la directive.

Elimination des emballages

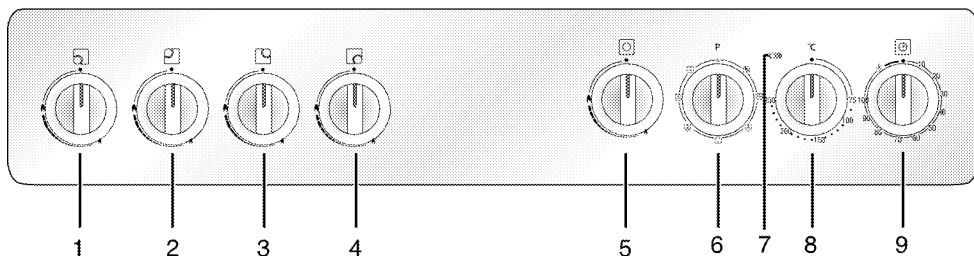
- Les emballages sont dangereux pour les enfants. Conservez les emballages en lieu sûr à l'écart des enfants. Les emballages de l'appareil sont fabriqués à partir de matériaux recyclés. Éliminez-les de manière appropriée et triez-les en fonction des instructions de recyclage des déchets. Ne les jetez pas avec les déchets domestiques normaux.

2 Généralités

Vue d'ensemble



- | | | | |
|---|------------------------|----|---------------------------|
| 1 | Revêtement | 7 | Compartiment de rangement |
| 2 | Plaque de brûleur | 8 | Poignée |
| 3 | Bandeau de commande | 9 | Pied |
| 4 | Interrupteur du grill | 10 | Plaque |
| 5 | Positions de la grille | 11 | Grille |
| 6 | Porte frontale | | |



- | | |
|---|----------------------------------|
| 1 | Brûleur normal Avant gauche |
| 2 | Brûleur normal Arrière gauche |
| 3 | Brûleur rapide Arrière droit |
| 4 | Brûleur auxiliaire Avant droit |
| 5 | Brûleur à wok Centre |
| 6 | Manette du four |
| 7 | Lampe de thermostat |
| 8 | Molette de réglage du thermostat |
| 9 | Minutes restantes |

Contenu de l'emballage

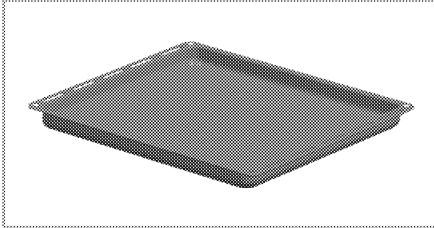


Les accessoires fournis peuvent varier selon le modèle de l'appareil. Tous les accessoires décrits dans le manuel d'utilisation peuvent ne pas faire partie de votre appareil.

1. Manuel de l'utilisateur

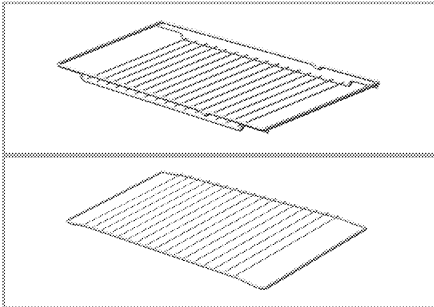
2. Plaque a four

Utilisée pour les pâtisseries, les aliments congelés et les grands rôtis.



3. Grille

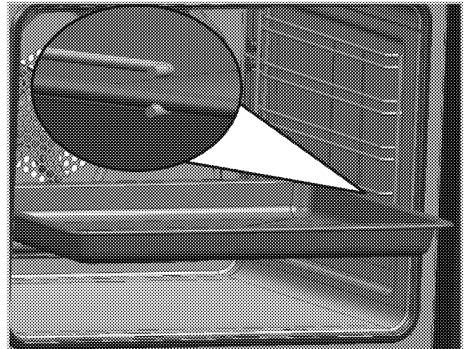
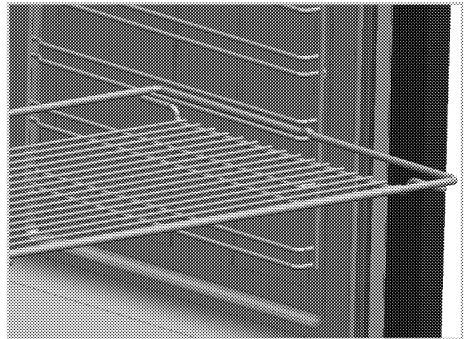
Utilisée pour les rôtis et pour les aliments à cuire, rôtir ou pour les ragoûts, elle se place dans le châssis à la hauteur souhaitée.



4. Placer correctement l'étagère métallique et la plaque sur les châssis métalliques

Appareils sans extension télescopique Avec les appareils sans extension télescopique, les plaques de cuisson et le gril sont insérés avec leurs bords entre les rails des supports latéraux.

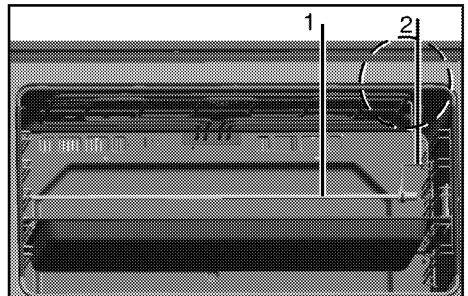
Il est important de placer l'étagère métallique et/ou la plaque correctement sur le châssis. Faites coulisser l'étagère métallique ou le plat entre 2 glissières de coulisserment et vérifiez-en l'équilibre avant de placer des aliments dessus (Observez l'illustration suivante).



5. Rôtissoire

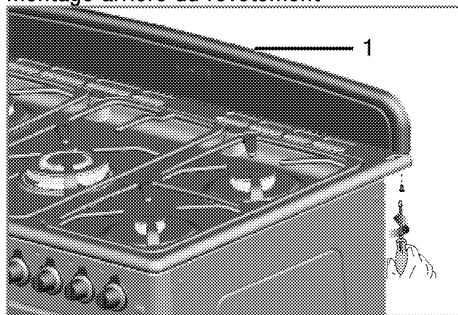
Utilisée pour faire griller la viande, les volailles et le poisson de manière uniforme sur tous les côtés.

- Fixez la nourriture à griller sur le tournebroche avec les broches.
- Insérez le côté pointu du tournebroche dans le moteur d'entraînement du côté gauche de la cavité du four et accrochez l'autre extrémité au crochet destiné au tournebroche du côté droit de la cavité du four.



- 1 Tournebroche
- 2 Crochet du tournebroche

6. Montage arrière du revêtement



écrous et boulons nécessaires à la fixation du revêtement arrière de l'appareil. Positionnez le montage arrière du revêtement comme indiqué.

Fixez le montage arrière du revêtement à la table de cuisson avec les écrous et boulons fournis. Ne serrez pas les écrous trop fort afin d'éviter d'endommager la plaque de cuisson ou le montage arrière du revêtement.

- 1 Montage arrière du revêtement
ôtez le montage arrière du revêtement de l'emballage en veillant à retenir les deux

Caractéristiques techniques

GENERALITES	
Dimensions extérieures (hauteur/longueur/profondeur)	850 mm (min) - 920 mm max//900 mm/600 mm
Tension/fréquence	220 - 240 V ~ 50 Hz
Consommation d'énergie totale	2900 W
Fusible	min. 13 A
Type de câble/section	H05VV-FG 3 x 1,5 mm ²
Longueur de câble	max. 2 m
Catégorie de produit à gaz	BE II 2E+3+ / NL II 2L3B/P
Type /pression de gaz	NG G 20/20 mbar
Consommation totale de gaz	11.5kW
Type / pression de conversion au gaz ^S	LPG G 30/28-30 mbar
- en option	Propane 31/37 mbar - NG G 25/25 mbar
Table de cuisson	
Brûleurs	
Avant gauche	Brûleur normal
Puissance	2000 W
Arrière gauche	Brûleur normal
Puissance	2000 W
Centre	Brûleur à wok
Puissance	3600 W
Arrière droit	Brûleur rapide
Puissance	2900 W
Avant droit	Brûleur auxiliaire
Puissance	1000 W
FOUR/GRILL	
Four principal	Four à ventilateur
Ampoule interne	240 W/15-25 W/E14 SES/T 300 °C
Consommation électrique du grill	2500 W



Les caractéristiques techniques peuvent changer sans avis préalable afin d'améliorer la qualité de l'appareil.



Les illustrations comprises dans ce manuel sont schématiques et peuvent ne pas correspondre exactement à l'appareil.



Les valeurs mentionnées sur les étiquettes de l'appareil ou dans la documentation qui l'accompagnent sont obtenues dans des conditions de laboratoire conformément aux normes correspondantes. En fonction des conditions de fonctionnement et de l'environnement de l'appareil, ces valeurs peuvent varier.

Tableau des injecteurs

Position de la zone de la table de cuisson	2000 W Avant gauche	2000 W Arrière gauche	3600 W Centre	2900 W Arrière droit	1000 W Avant droit
Type /pression de gaz					
G 20/20 mbar	103	103	147	115	72
G 30/28-30 mbar	72	72	96	87	50
G 25/25 mbar	103	103	147	115	72
G 31/ 37 mbar	72	72	96	87	50

3 Installation

Le produit doit être installé par une personne qualifiée conformément à la réglementation en vigueur. Dans le cas contraire, la garantie n'est pas valable. Le fabricant se sera pas tenu pour responsable des dégâts consécutifs à des procédures réalisées par des personnes non autorisées et pourra annuler la garantie dans ce cas.



La préparation de l'emplacement et l'installation du gaz et de l'électricité pour l'appareil sont sous la responsabilité du client.



DANGER:

Installez l'appareil conformément aux réglementations en matière de gaz et d'électricité en vigueur dans votre localité.



DANGER:

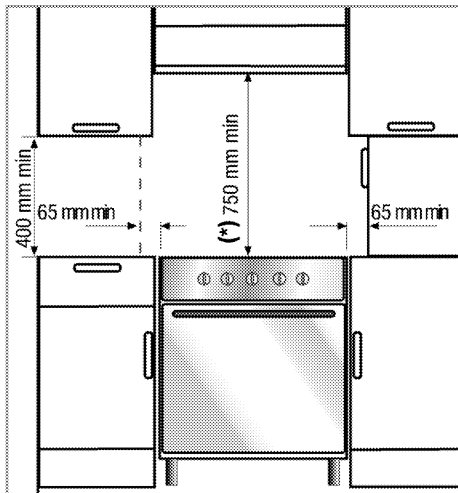
Avant l'installation, regardez si l'appareil présente des défauts. Si tel est le cas, ne le faites pas installer. Les appareils endommagés présentent des risques pour votre sécurité.

Avant l'installation

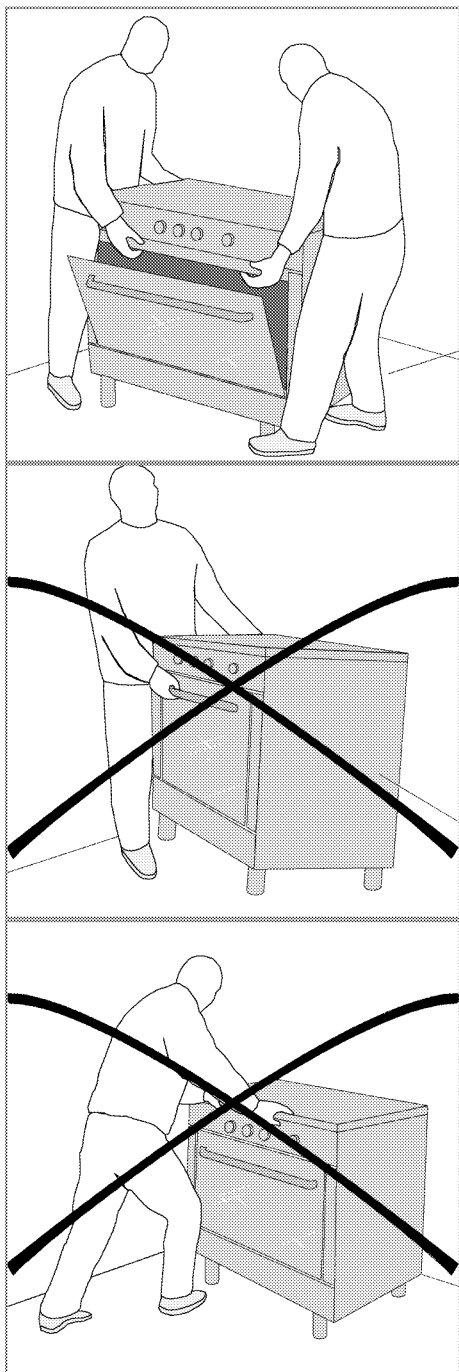
Veillez noter que le produit est emballé sans que les pieds soient ajustés, assurez-vous que les pieds soient ajustés conformément aux instructions, voir *Installation et branchement*, page 15 avant que l'appareil soit placé dans sa position définitive.

Pour veiller à ce qu'une distance libre soit conservée sous l'appareil, nous vous recommandons de monter l'appareil sur une base solide et de veiller à ce que ses pieds ne transpercent pas le tapis, la moquette, ou tout autre revêtement de sol.

Le sol de la cuisine doit pouvoir supporter le poids de l'appareil plus le poids des instruments de cuisine et de la nourriture.



- Vous pouvez l'utiliser avec des meubles de part et d'autre, mais en prévoyant une distance minimale de 400 mm au-dessus du niveau de la plaque chauffante ; prévoyez un écart de 65 mm entre l'appareil et le mur, la cloison ou le placard géant.
- Il peut aussi être utilisé en position debout, de manière autonome. Laissez une distance minimum de 750 mm au-dessus de la surface de la table de cuisson.
- S'il faut encastrier une hotte au-dessus de la cuisinière, reportez-vous aux consignes du fabricant de la hotte concernant la hauteur d'installation (Min 650 mm)..
- Vous pouvez déplacer votre cuisinière beaucoup plus facilement en soulevant la partie avant comme indiqué dans le schéma. Ouvrez suffisamment la porte du four pour permettre une prise confortable et solide sur le bord antérieur du plafond du four en évitant d'endommager l'élément du grill ou d'autres parties internes du four. Ne déplacez pas l'appareil en tirant sur la poignée de la porte ou sur les manettes. Déplacez légèrement l'appareil pendant un moment jusqu'à ce que celui-ci soit positionné comme souhaité.



placé avec le côté arrière et **un** côté contre les murs de la cuisine, des meubles ou des équipements de toute taille. Les meubles ou les équipements de cuisine situés sur **l'autre** côté doivent être de taille inférieure ou égale.

- Tout meuble de cuisine situé à côté de l'appareil doit résister à la chaleur (100 °C min.).

Ventilation de la pièce

Toutes les pièces nécessitent une fenêtre ouvrable, ou équivalent, et certaines pièces nécessiteront également un orifice d'aération permanent.

L'air de combustion est prélevé dans l'air de la pièce. Les gaz émis sont directement rejetés dans la pièce.

Une bonne ventilation est essentielle au fonctionnement en toute sécurité de votre appareil. S'il n'y a pas de porte ou de fenêtre pour la ventilation de la pièce, une ventilation d'appoint doit être installée.

Vous pouvez installer votre appareil à la cuisine, dans la salle à manger ou dans la chambre-salon, mais jamais dans une salle de douches ou de bains. La cuisinière ne doit pas être installée dans une chambre-salon de moins de 20 m³. Évitez d'installer cet appareil dans une pièce en dessous du niveau du sol à moins que cette pièce soit ouverte au niveau du sol sur l'un des côtés au moins.

Taille de la pièce	Ouverture de ventilation
inférieure à 5 m ³	min. 100 cm ²
5 m ³ à 10 m ³	min. 50 cm ²
supérieure à 10 m ³ den	facultatif
Dans une cave ou sous-sol	min. 65 cm ²

Installation et branchement

L'appareil doit être installé et raccordé conformément aux réglementations d'installation en vigueur.

- L'appareil correspond à un appareil de classe 1. En d'autres termes, il peut être



N'installez pas l'appareil à proximité de réfrigérateurs ou congélateurs. La chaleur émise par l'appareil augmenterait la consommation d'énergie des dispositifs de refroidissement.

- Transportez l'appareil avec au moins deux personnes.
- L'unité doit être placée directement au sol. Elle ne doit pas être placée sur une base ou un socle.



N'utilisez pas la porte et/ou la poignée pour porter ou déplacer l'appareil. Cela endommage la porte, la poignée et les charnières.

Raccordement électrique

Branchez l'appareil à une ligne de terre protégée par un fusible de capacité suffisante tel qu'indiqué dans le tableau "Caractéristiques techniques". Faites installer la mise à la terre par un électricien qualifié lorsque vous utilisez l'appareil avec ou sans transformateur. Notre société ne sera pas tenue pour responsable des dégâts qui surviendraient de l'utilisation de l'appareil sans une installation de mise à la terre conforme aux réglementations locales en vigueur.



DANGER:

L'appareil doit uniquement être raccordé à l'alimentation électrique par une personne autorisée et qualifiée. La période de garantie de l'appareil démarre uniquement après son installation correcte.

Le fabricant se sera pas tenu pour responsable des dégâts consécutifs à des procédures réalisées par des personnes non autorisées.



DANGER:

Le câble d'alimentation ne doit pas être serré, plié ou pincé ou entrer en contact avec des pièces chaudes de l'appareil.

Un câble d'alimentation endommagé doit être remplacé par un électricien qualifié. Dans le cas contraire, il présente un risque d'électrocution, de court-circuit ou d'incendie !

Les valeurs de l'alimentation électrique doivent correspondre aux valeurs figurant sur la plaque signalétique de l'appareil. La plaque signalétique est visible lorsque la porte ou le couvercle inférieur sont ouverts, ou elle est située sur la paroi arrière de l'appareil, en fonction du type de l'appareil.

Le câble d'alimentation de l'appareil doit être conforme aux valeurs du tableau "Caractéristiques techniques".



La prise du câble d'alimentation doit être facile d'accès après l'installation (ne le faites pas passer au-dessus de la table de cuisson).



DANGER:

Avant d'effectuer tout travail sur l'installation électrique, l'appareil doit être débranché du réseau d'alimentation électrique.

Vous risqueriez un choc électrique !

Branchez le câble d'alimentation dans la prise.

Raccordement au gaz



DANGER:

L'appareil doit être connecté au système d'alimentation en gaz uniquement par un technicien autorisé et qualifié. Risque d'explosion et d'intoxication causé par des réparations effectuées par des personnes non professionnelles !

Le fabricant se sera pas tenu pour responsable des dégâts consécutifs à des procédures réalisées par des personnes non autorisées.



DANGER:

Avant d'effectuer tout travail sur l'installation de gaz, l'appareil doit être débranché du réseau de distribution du gaz.

Vous risqueriez une explosion !

- Les conditions et valeurs de réglages du gaz sont indiquées sur les plaques signalétiques (ou plaques type ion)
- Consultez les informations détaillées sur le raccordement et la conversion au gaz dans le manuel d'utilisateur fourni avec votre produit.

**DANGER:**

Le tuyau de gaz ne doit pas être serré, plié ou pincé ou entrer en contact avec des pièces chaudes de l'appareil. Un tuyau de gaz endommagé vous expose à un risque d'explosion.

- Poussez le produit vers le mur de la cuisine.

- **Réglages des pieds du four**

Les vibrations pendant l'usage peuvent faire bouger les plats de cuisson. Cette situation dangereuse peut être évitée si le produit est équilibré et stable.

Pour votre sécurité; veuillez vérifier que le produit est stable en réglant les quatre pieds en bas en tournant vers la gauche et la droite et en les alignant avec le haut.

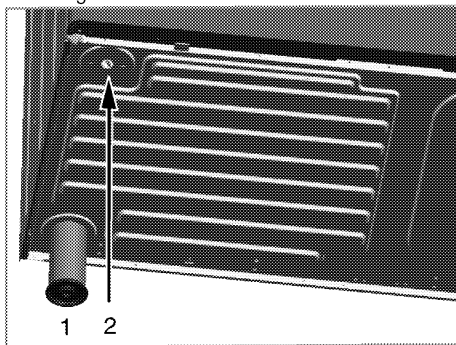
- **Réglages des pieds du four**

Les 4 pieds sont fournis avec votre four. Chaque pied doit être installé dans les encoches respectives situées aux 4 coins sous le four.

Vissez la tête du pied en le tournant dans le sens des aiguilles d'une montre.

Pour votre sécurité, assurez-vous qu'ils sont équilibrés quand vous vissez les 4 pieds.

Le déséquilibre des pieds a une influence négative sur la cuisson.



- 1 Pied
- 2 Encoche du pied

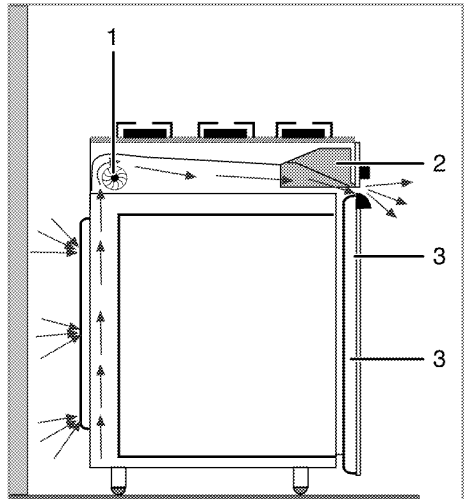
Vérification finale

1. Vérifiez les fonctions électriques.
2. Ouvrez le robinet de gaz.
3. Vérifiez les raccords de l'installation de gaz.

4. Allumez les brûleurs et vérifiez l'aspect de la flamme.



La flamme doit être bleue et avoir une forme régulière. Si elle est jaunâtre, assurez-vous que le bouchon du brûleur est solidement installé et nettoyez le brûleur.

Pour les produits équipés d'un ventilateur

- 1 Ventilateur
- 2 Bandeau de commande
- 3 Porte

Le ventilateur refroidit à la fois le bandeau de commande et la façade de l'appareil.



Le ventilateur continue de fonctionner pendant 20 à 30 minutes même après l'extinction du four.

Conversion du gaz**DANGER:**

Avant d'effectuer tout travail sur l'installation de gaz, l'appareil doit être débranché du réseau de distribution du gaz. Vous risqueriez une explosion !

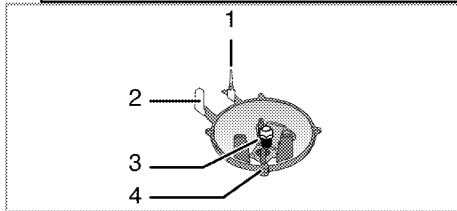
Pour changer le type de gaz de votre appareil, changez tous les injecteurs et réglez les flammes de toutes les valves à la position de débit réduit.

Changement de l'injecteur des brûleurs.

1. Retirez le couvercle de brûleur et le corps du brûleur.

2. Dévissez les injecteurs en tournant dans le sens contraire des aiguilles du montre.
3. Fixez les nouveaux injecteurs.
4. Vérifiez le branchement de tous les raccords.

i La position des nouveaux injecteurs est marquée sur leurs emballage ou le tableau de l'injecteur. *Tableau des injecteurs, page 13* peut être consulté.



- 1 Dispositif de sécurité à l'allumage (modèle dépendant)
- 2 Electrode
- 3 Injecteur
- 4 Brûleur

i Sauf en cas de condition anormale, ne tentez pas de retirer les robinets des brûleurs de gaz. Vous devez contacter le service agréé s'il est nécessaire de changer les robinets.

Réglage de débit de gaz réduit pour les robinets de la plaque de cuisson

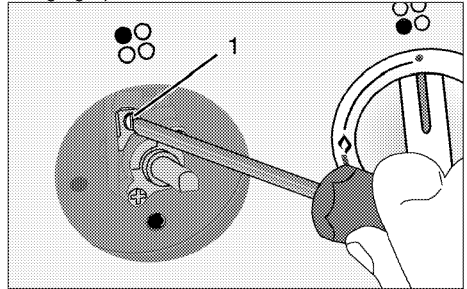
1. Allumez le brûleur à régler et positionnez la manette sur la position inférieure.
2. Enlevez le bouton du robinet de gaz.
3. Utilisez un tournevis conventionnel pour ajuster la vis de réglage du débit.

Pour le LPG (Butane - Propane), tournez le tournevis dans le sens contraire des aiguilles d'une montre. Pour l'alimentation en gaz naturel, tournez une fois la vis **dans le sens inverse des aiguilles d'une montre**.

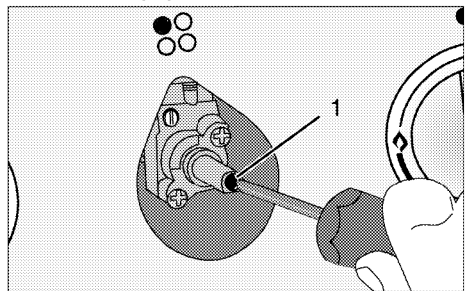
» La hauteur normale d'une flamme régulière en débit réduit doit être de 6-7 mm.

4. Si la flamme est plus grande que la longueur souhaitée, tournez la vis dans le sens des aiguilles d'une montre. Si elle est plus petite, tournez dans le sens contraire des aiguilles d'une montre.

5. Pour le dernier contrôle, placez le brûleur sur les positions flamme haute et flamme réduite et vérifiez si la flamme est allumée ou éteinte.
6. En fonction du type de robinet de gaz utilisé sur votre appareil, la position de la vis de réglage peut varier.



- 1 Vis de réglage du débit



- 1 Vis de réglage du débit

i Si le type de gaz de l'appareil est modifié, alors la plaque signalétique indiquant le type de gaz utilisé par l'appareil doit également être modifiée.

Déplacement ultérieur

- Conservez le carton d'origine de l'appareil et utilisez-le pour déplacer le produit. Suivez les instructions figurant sur le carton. Si vous n'avez plus le carton original, emballez l'appareil dans du film à bulles ou du carton épais avec du ruban adhésif pour maintenir le tout.
- Afin d'éviter que la grille et la plaque situés à l'intérieur du four n'endommagent la porte, placez une bande de carton sur la contre-porte à hauteur des plaques. Attachez la

porte du four aux parois latérales à l'aide de ruban adhésif.

- Attachez les couvercles et grilles de support avec du ruban adhésif.
- N'utilisez pas la porte ou la poignée pour soulever ou déplacer l'appareil.



Ne placez aucun objet sur l'appareil et déplacez-le bien à plat.



Inspectez l'aspect général de l'appareil pour déceler les dégâts potentiellement dus au transport.

4 Préparations

Conseils pour faire des économies d'énergie

Les conseils suivants vous permettront d'utiliser votre appareil de façon écologique et d'économiser ainsi de l'énergie :

- Utilisez des ustensiles de cuisine de couleur obscure et recouverts d'émail car la transmission de chaleur sera améliorée.
- Lorsque vous cuisinez, lancez un préchauffage si cela est conseillé dans le manuel d'utilisation ou la description de la recette.
- N'ouvrez pas la porte du four trop souvent pendant la cuisson.
- Essayez de faire cuire plusieurs plats simultanément dans le four lorsque vous le pouvez. Vous pouvez placer deux plats de cuisson sur le châssis métallique.
- Faites cuire plusieurs plats successivement. Le four sera déjà à température.
- Vous pouvez économiser de l'énergie en éteignant votre four quelques minutes avant la fin du temps de cuisson. N'ouvrez pas la porte du four.
- Décongelez les plats surgelés avant de les cuire.
- Utilisez des récipients munis de couvercles. Sans couvercle, la consommation d'énergie peut être 4 fois plus importante.
- Sélectionnez le brûleur le mieux adapté à la taille du bas de la casserole utilisée. Sélectionnez toujours la casserole à la taille la plus appropriée pour vos plats. Les grandes casseroles nécessitent davantage d'énergie.

Première utilisation

Réglage du temps initial

Premier nettoyage de l'appareil



La surface pourrait être endommagée par certains détergents ou produits de nettoyage.

N'utilisez pas de détergents agressifs, de poudre/crèmes de nettoyage ou d'objets tranchants pour le nettoyage.

1. Retirez tous les matériaux d'emballage.
2. Essuyez les surfaces de l'appareil à l'aide d'un chiffon humide ou d'une éponge et terminez avec un chiffon.

Première cuisson

Faites chauffer l'appareil pendant 30 minutes puis éteignez-le. De cette manière, tous les résidus de production ou les couches de conservation seront brûlés et supprimés.



AVERTISSEMENT

Les surfaces chaudes peuvent provoquer des brûlures !

L'appareil peut être très chaud pendant son utilisation. Ne touchez jamais les brûleurs, sections internes du four, résistances, etc. lorsqu'ils sont chauds. Tenez les enfants à l'écart.

Utilisez toujours des gants de protection thermique lorsque vous placez dans ou retirez des plats du four chaud.

Four électrique

1. Sortez toutes les plaques de cuisson et la grille métallique du four.
2. Fermez la porte du four.
3. Sélectionnez la position "Traditionnel".
4. Sélectionnez l'intensité la plus forte pour le grill ; voir *Utilisation du four électrique*, page 24.
5. Faites fonctionner le four environ 30 minutes.
6. Eteignez votre four ; voir *Utilisation du four électrique*, page 24

Four à grill

1. Sortez toutes les plaques de cuisson et la grille métallique du four.
2. Fermez la porte du four.
3. Sélectionnez l'intensité la plus forte pour le grill ; voir *Utilisation du grill*, page 26.
4. Faites fonctionner le four environ 30 minutes.
5. Eteignez votre grill ; voir *Utilisation du grill*, page 26



Une odeur et de la fumée peuvent se dégager pendant quelques heures au cours de la première utilisation. Ce phénomène est tout à fait normal. Assurez-vous que la pièce est bien aérée pour évacuer l'odeur et la fumée. Évitez d'avaler la fumée et l'odeur qui se dégagent.

5 Utilisation de la table de cuisson

Généralités concernant la cuisson



Ne remplissez jamais la poêle à plus d'un tiers. Ne laissez pas la table de cuisson sans surveillance lorsque vous chauffez de l'huile. Une huile surchauffée expose au risque d'incendie. **Ne tentez jamais d'éteindre un éventuel incendie avec de l'eau !** Lorsque l'huile s'enflamme, couvrez-la avec une couverture pare-flammes ou un chiffon humide. Éteignez la table de cuisson si cela ne pose aucun risque et appelez les sapeurs-pompiers.

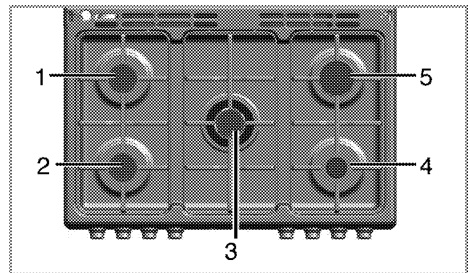
- Avant de faire frire des aliments, séchez-les toujours avant de les tremper dans l'huile chaude. Assurez-vous que les aliments surgelés soient bien décongelés avant de les faire frire.
- Ne couvrez pas le récipient lorsque vous faites chauffer de l'huile.
- Disposez les poêles et casseroles de manière à ce que leur poignée ne se trouve pas au-dessus de la table de cuisson afin d'éviter de faire chauffer les poignées. Ne placez pas de récipients instables et pouvant se renverser facilement sur la table de cuisson.
- Ne placez pas de récipients et de casseroles vides sur les foyers qui sont allumés. Ils pourraient être endommagés.
- Faire chauffer un foyer en l'absence d'un récipient ou d'une casserole peut entraîner des dommages pour l'appareil. Arrêtez les foyers de cuisson une fois la cuisson terminée.
- La surface de l'appareil peut être brûlante, évitez donc de poser des récipients en plastique ou en aluminium dessus. Évitez également d'utiliser ce type de récipients pour y conserver de la nourriture.
- N'utilisez que des casseroles à fond plat.
- Placez la quantité de nourriture appropriée dans les casseroles utilisées. Ainsi, vous

n'aurez pas à effectuer un nettoyage superflu en évitant que vos plats ne débordent. Ne posez pas les couvercles de vos poêles et casseroles sur les foyers de cuisson. Placez les casseroles de manière à ce qu'elles soient centrées sur le foyer de cuisson. Lorsque vous voulez déplacer la casserole sur un autre foyer de cuisson, soulevez-la et placez-la sur le foyer de cuisson souhaité au lieu de la faire glisser.

Cuisson au gaz

- La taille du récipient et celle de la flamme doivent correspondre. Réglez les flammes du gaz afin qu'elles ne dépassent pas du fond du récipient et centrez ce dernier sur la grille.

Utilisation des tables de cuisson



- 1 Brûleur normal 18–20 cm
- 2 Brûleur normal 18–20 cm
- 3 Brûleur à wok 22–24 cm
- 4 Brûleur auxiliaire 16–18 cm
- 5 Brûleur rapide 20–22 cm est une liste des diamètres de récipients recommandés à utiliser sur les brûleurs correspondants.

Le symbole représentant une grande flamme indique la puissance de cuisson la plus élevée et le symbole représentant une petite flamme indique la puissance de cuisson la moins élevée. En position OFF (indicateur vers le haut), les brûleurs ne sont pas alimentés en gaz.

Allumage des brûleurs à gaz

1. Maintenez le bouton du brûleur approprié enfoncé.

2. Tournez-le dans le sens anti-horaire vers le symbole représentant la grande flamme.
» Le gaz s'allume grâce à l'étincelle ainsi générée.
3. Réglez la puissance de cuisson souhaitée.

Arrêt des brûleurs à gaz.

Tournez le bouton de la zone garde-au-chaud sur la position OFF (indicateur vers le haut).

Système de coupure de sécurité du gaz (sur les modèles dotés d'un composant thermique)



1. Sécurité de coupure du gaz

Un mécanisme de sécurité fait office de contre-mesure et se déclenche pour couper l'arrivée de gaz en cas de débordement de liquide sur les brûleurs.

- Appuyez sur le bouton et tournez-le dans le sens anti-horaire pour allumer le gaz.
- Maintenez ensuite le bouton enfoncé pendant 3 à 5 secondes supplémentaires pour activer le système de sécurité.
- Si le gaz ne s'allume pas après avoir appuyé et relâché le bouton, répétez l'opéra-

tion en maintenant le bouton enfoncé pendant une quinzaine de secondes.



DANGER:

Relâchez le bouton si le brûleur à gaz ne s'allume pas après 15 secondes. Patientez au moins 1 minute avant de réessayer. Vous risqueriez une accumulation de gaz et une explosion !

Brûleur à wok



Les brûleurs à wok vous permettent de cuire vos aliments plus rapidement. Le wok s'apparente à une poêle à frire profonde et plate en métal. Il est surtout utilisé dans la cuisine asiatique pour cuire des légumes et de la viande émincés à feu vif en très peu de temps.

Dans ce type de poêle à frire qui conduit la chaleur rapidement et de manière uniforme, les plats sont cuits à feu vif en très peu de temps, la valeur nutritionnelle des aliments est ainsi préservée et les légumes restent croquants. Vous pouvez également utiliser le brûleur à wok pour vos casseroles normales.

6 Utilisation du four

Informations générales concernant la pâtisserie, la rôtisserie et les grillades



AVERTISSEMENT

Les surfaces chaudes peuvent provoquer des brûlures !

L'appareil peut être très chaud pendant son utilisation. Ne touchez jamais les brûleurs, sections internes du four, résistances, etc. lorsqu'ils sont chauds. Tenez les enfants à l'écart.

Utilisez toujours des gants de protection thermique lorsque vous placez dans ou retirez des plats du four chaud.



DANGER:

Faites attention lors de l'ouverture du four car de la vapeur peut s'en échapper.

La vapeur peut provoquer des brûlures sur vos mains, votre visage et/ou vos yeux.

Conseils pour la pâtisserie

- Utilisez des plats en métal anti-adhérent adaptés ou des ustensiles en aluminium ou des moules en silicone résistant à la chaleur.
- Utilisez l'espace de la plaque au mieux.
- Placez le moule de cuisson au milieu.
- Sélectionnez l'emplacement adapté avant d'allumer le four ou le grill. Ne changez pas d'emplacement lorsque le four est chaud.
- Gardez la porte du four fermée.

Conseils pour rôtir

- Assaisonner les poulets entiers, dindes et gros morceaux de viande avec du jus de citron et du poivre noir avant la cuisson augmentera la performance de cuisson.
- La viande rôtie met 15 à 30 minutes de plus à cuire avec des os par rapport à un rôti équivalent sans os.
- Chaque centimètre d'épaisseur de viande requiert environ 4 à 5 minutes de temps de cuisson.
- Laissez la viande reposer dans le four pendant environ 10 minutes après le temps de

cuisson. Le jus se répartira sur l'ensemble de la viande et ne coulera pas à sa découpe.

- Le poisson doit être placé au milieu du four ou plus bas dans un plat résistant au feu.

Conseils pour les grillades

Lorsque la viande, poissons et volailles sont grillés, ils brunissent rapidement, deviennent croustillants et ne sèchent pas. Les morceaux minces, les brochettes de viandes et les saucisses mais également les légumes à forte teneur en liquide (par exemple les tomates et les oignons, sont particulièrement adaptés à cette cuisson.

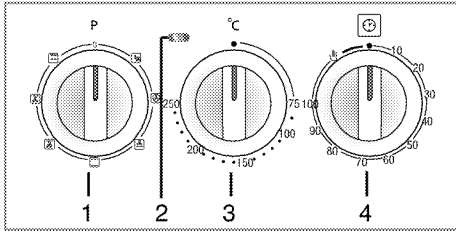
- Répartissez les morceaux à griller sur la grille métallique ou la plaque de cuisson avec la grille métallique de manière à ce que l'espace couvert ne dépasse pas la taille de la résistance.
- Glissez la grille ou la plaque de cuisson avec la grille dans le four au niveau souhaité. Si vous faites des grillades sur la grille, glissez la plaque de cuisson sur le châssis pour recueillir les graisses. Ajoutez un peu d'eau dans la plaque de cuisson pour faciliter le nettoyage.



Les aliments non adaptés pour le grill exposent à des risques d'incendie. N'utilisez que des aliments à griller adaptés à une chaleur de grill intense. Ne placez pas la nourriture trop au fond du grill. Il s'agit de la zone la plus chaude et les aliments gras pourraient prendre feu.

Utilisation du four électrique

Sélection d'une température et d'un mode de fonctionnement.



- 1 Manette du four
 - 2 Lampe de thermostat
 - 3 Molette de réglage du thermostat
 - 4 Minutes restantes
1. Réglez le minuteur de four sur la durée de cuisson désirée ; voir *Utilisation de l'horloge du four*, page 25
 2. Réglez la manette Température sur la température souhaitée.
 3. Réglez la manette des fonctions sur la température souhaitée.

» Le four chauffe à la température réglée et garde cette température. Pendant le chauffage, l'ampoule de la température reste allumée.

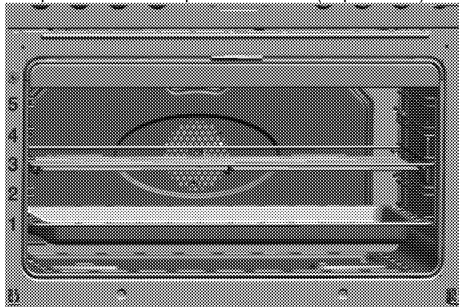
Arrêt du four électrique

Placez le minuteur de four sur la position arrêt.



Lorsque le minuteur est réglé sur une période définie, il s'arrêtera automatiquement ; voir *Utilisation de l'horloge du four*, page 25

Tournez la manette des fonctions et celle de la température sur la position arrêt (supérieure).



Positions des châssis (pour modèle avec grill)

Modes de fonctionnement

L'ordre des modes de fonctionnement présenté peut varier sur votre appareil.

Chauffage supérieur et inférieur



Le chauffage supérieur et inférieur fonctionne. Les aliments sont cuits simultanément par le dessus et le dessous. Par exemple, il est adapté pour des gâteaux, des pâtisseries ou des gâteaux et des ragoûts dans des moules. Cuisson avec une seule plaque.

Élément chauffant supérieur/inférieur avec ventilateur



Les éléments supérieur et inférieur et le ventilateur (dans la paroi arrière) sont en marche. De l'air chaud est rapidement envoyé également dans le four au moyen du ventilateur. Cuisson avec une seule plaque.

Élément chauffant supérieur avec ventilateur



Les éléments supérieur et inférieur et le ventilateur (dans la paroi arrière) sont en marche. De l'air chaud est distribué mieux avec le ventilateur comparé à la situation où seul l'élément supérieur chauffant fonctionne.

Élément chauffant inférieur avec ventilateur



Les éléments supérieur et inférieur et le ventilateur (dans la paroi arrière) sont en marche. De l'air chaud est distribué mieux avec le ventilateur comparé à la situation où seul l'élément inférieur chauffant fonctionne.

Fonctionnement avec ventilateur



Le four n'est pas chauffé. Seuls l'ampoule du four et le ventilateur (dans la paroi arrière) sont en marche. Adapté pour décongeler les aliments granulaires surgelés lentement à température ambiante et refroidir les aliments cuisinés.

Chaleur tournante



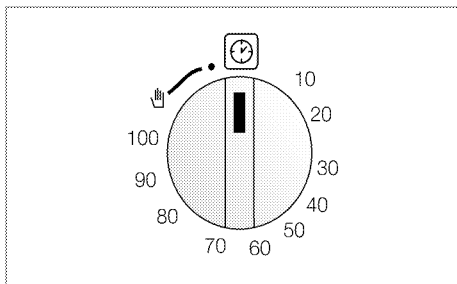
L'air chaud généré par la résistance arrière est réparti rapidement et de façon uniforme dans le four à l'aide du ventilateur. Cela permet de cuire des plats sur différents châssis et le préchauffage n'est pas nécessaire dans la plupart des cas. Adapté pour la cuisson avec des plaques multiples.

Grill fort avec tournebroche



Le grill et le tournebroche sont en marche. Adapté pour les grillades et la rotisserie de grands morceaux de viande.

Utilisation de l'horloge du four



Démarrage de la cuisson



Pour faire fonctionner le four, vous devez sélectionner le mode de cuisson et la température désirée et régler l'heure. Dans le cas contraire, le four ne fonctionnera pas.

1. Tournez la manette de réglage de l'heure dans le sens des aiguilles d'une montre pour régler le temps de cuisson.
2. Placez votre plat dans le four.

3. Sélectionnez une température et un mode de fonctionnement, voir. *Utilisation du four électrique, page 24.*

» Le four chauffera jusqu'à la température définie et il maintiendra cette température jusqu'à la fin de la durée de cuisson sélectionnée.

4. Lorsque la durée de cuisson est terminée, le bouton de réglage de la durée tournera automatiquement dans le sens inverse des aiguilles d'une montre. Un son avertisseur retentit pour indiquer que la durée définie est arrivée à échéance et l'alimentation électrique est coupée.



Si vous ne souhaitez pas utiliser la fonction de minuterie, tournez la manette dans le sens inverse des aiguilles d'une montre sur le symbole de la main.

5. Eteignez le four à l'aide du bouton de réglage du temps, la manette des fonctions ou celle des températures.

Eteindre le four avant l'heure régler

1. Tournez la manette de réglage du temps dans le sens contraire des aiguilles d'une montre jusqu'à son arrêt.
2. Eteignez le four à l'aide du bouton de réglage des températures et de la manette des fonctions.

Tableau des temps de cuisson



Les durées indiquées dans ce tableau ne servent que d'exemple. Elles peuvent varier selon la température, l'épaisseur et le type d'aliments, ainsi que vos préférences de cuisson.

Cuisson au four et rôtisserie



Le 1er étage du four est l'emplacement du châssis du bas.

Plat	Numéro du niveau de cuisson		Emplacement du châssis	Température (°C)	Temps de cuisson (approx. en min.)
**Gâteaux sur plaque	Un niveau		2-3	175	25 ... 35
**Gâteaux en moule	Un niveau		2-3	180	40 ... 50
**Gâteaux dans du papier alimentaire	Un niveau		2-3	175	25 ... 35
	2 niveaux		1-4	175	30 ... 45
**Génoise	Un niveau		2-3	200	10 ... 15

	2 niveaux		1-4	175	20 ... 35
**Cookies	Un niveau		2-3	175	25 ... 35
	2 niveaux		1-4	170 ... 190	30 ... 45
**Pâte à choux	Un niveau		2-3	200	30 ... 45
**Pâte au beurre	Un niveau		2-3	200	30 ... 40
	2 niveaux		1-4	200	40 ... 50
**Levain de pâte	Un niveau		2-3	200	35 ... 50
**Lasagnes	Un niveau		2-3	200	30 ... 45
**Pizza (épaisse)	Un niveau		2-3	200 ... 220	15 ... 20
**Pizza (fine)	Un niveau		2-3	200	10 ... 15
Bifteck (entier) / Rôti	Un niveau		2-3	25 min. 250/max. puis 180 ... 190	100 ... 120
Gigot d'agneau (casserole)	Un niveau		2-3	25 min. 250/max. puis 190	70 ... 90
Poulet rôti	Un niveau		2-3	15 min. 250/max. puis 180 ... 190	55 ... 65
Dinde (5,5 kg)	Un niveau		1	25 min. 250/max. puis 180 ... 190	150 ... 210
Poisson	Un niveau		2-3	200	20 ... 30

Lors de la cuisson avec deux plaques simultanées, placez la plaque creuse sur la partie supérieure et l'autre plaque sur la partie inférieure.

Utilisation du grill



AVERTISSEMENT

Fermez la porte du four pendant les grillades.

Les surfaces chaudes peuvent brûler !

- Tournez la manette de réglage de l'heure dans le sens inverse des aiguilles d'une montre sur le symbole main pendant le grill.

Il y a un interrupteur sur la porte. Agissant comme un dispositif de sécurité, cet interrupteur empêche le grill de fonctionner lorsque la porte est OUVERTE.

Allumage du grill

1. Tournez la manette Fonction dans le sens des aiguilles d'une montre sur le symbole du grill.
2. Réglez ensuite la température désirée du grill.
3. Si nécessaire, effectuez un préchauffage d'environ 5 minutes.

» Le voyant du thermostat (température) s'allume.

Extinction du grill

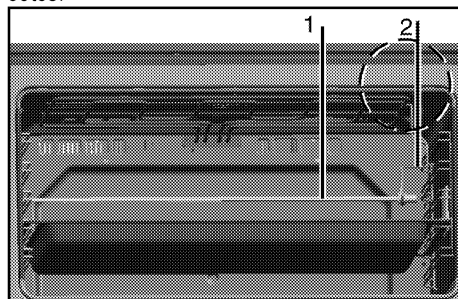
1. Tournez la manette des fonctions sur la position arrêt (haut).



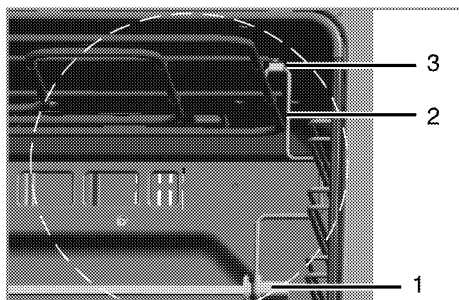
Les aliments non adaptés pour le grill exposent à des risques d'incendie. N'utilisez que des aliments à griller adaptés à une chaleur de grill intense. Ne placez pas la nourriture trop au fond du grill. Il s'agit de la zone la plus chaude et les aliments gras pourraient prendre feu.

Fonction tournebroche

Utilisée pour faire griller la viande, les volailles et le poisson de manière uniforme sur tous les côtés.



- 1 Tournebroche
- 2 Crochet du tournebroche



- 3 Encoche du tournebroche.
- Fixez la nourriture à griller sur le tournebroche avec les broches.
 - Insérez le côté pointu du tournebroche dans le moteur d'entraînement du côté gauche de la cavité du four et accrochez l'autre ex-

trémité au crochet (2) destiné au tournebroche du côté droit de la cavité du four. Assurez vous que le crochet du tournebroche est insérez dans l'encoche du tournebroche (3).

- Placez une plaque sur l'un des châssis inférieur pour recueillir la graisse. Mettez de l'eau dans la plaque pour faciliter le nettoyage.
- **N'oubliez pas d'enlever la poignée en plastique du tournebroche.**
- Quand la cuisson est achevée, attachez la poignée en plastique et enlevez votre plat du four.

i Le poids maximum d'un poulet ou d'une dinde à cuire avec la fonction rôtisserie ne doit pas excéder 5 kg.

Tableau des temps de cuisson pour le grill

Grillade par grill électrique

Aliments	Position de la grille	Temps de grillade (environ)
Poisson	3..4	20...25 min. #
Ailes ou cuisses de poulet	3..4	15...20 min.
Côtelettes d'agneau	3..4	12...15 min.
Rôti de bœuf	3..4	15...25 min. #
Côtelettes de veau	3..4	15...25 min. #

selon l'épaisseur

7 Maintenance et entretien

Généralités

Un nettoyage régulier de l'appareil en rallongera la durée de vie et diminuera l'apparition de problèmes.



DANGER:

Débranchez l'appareil de la prise d'alimentation avant de commencer le nettoyage et l'entretien.

Vous risqueriez un choc électrique !



DANGER:

Laissez l'appareil refroidir avant de le nettoyer.

Les surfaces chaudes peuvent brûler !

- Nettoyez l'appareil après chaque utilisation. Il vous sera ainsi possible d'ôter plus facilement les résidus de nourriture éventuels, évitant ainsi qu'ils ne brûlent lors de l'utilisation suivante.
- Aucun produit nettoyant particulier n'est nécessaire pour nettoyer l'appareil. Utilisez de l'eau tiède avec du détergent, un chiffon doux ou une éponge pour nettoyer l'appareil et essuyez-le à l'aide d'un chiffon sec.
- Veillez toujours à bien essuyer les excès de liquide après le nettoyage et essuyez immédiatement tout déversement.
- N'utilisez pas de détergents contenant de l'acide ou du chlore pour nettoyer les surfaces en acier inoxydable et la poignée. Utilisez un chiffon doux avec un détergent liquide non abrasif pour nettoyer ces parties, en prenant soin de toujours frotter dans le même sens.



La surface pourrait être endommagée par certains détergents ou produits de nettoyage.

N'utilisez pas de détergents agressifs, de poudre/crèmes de nettoyage ou d'objets tranchants pour le nettoyage.



N'utilisez pas de nettoyeurs à vapeur pour le nettoyage de l'appareil, car ceux-ci présentent un risque d'électrocution.

Nettoyage de la table de cuisson

Tables de cuisson à gaz

1. Retirez et nettoyez les grilles et les chapeaux de brûleurs.
2. Nettoyez la table de cuisson.
3. Installez les chapeaux de brûleurs et vérifiez qu'ils sont bien posés.
4. Lorsque vous installez la grille supérieure, veillez à bien positionner les grilles afin de centrer les brûleurs.

Nettoyage du bandeau de commande

Nettoyez le bandeau de commande et les boutons de commande avec un chiffon humide et essuyez-les.



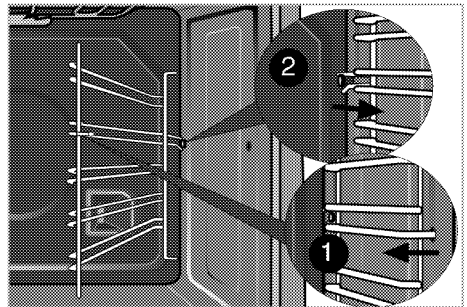
Ne retirez pas les boutons de commande pour nettoyer le bandeau de commande.

Le panneau de commande pourrait être endommagé !

Nettoyage du four

Pour nettoyer la paroi latérale

1. Retirez la partie avant du rail latéral en le tirant vers le côté opposé de la paroi latérale.
2. Retirez le rail latéral complètement en le tirant vers vous.



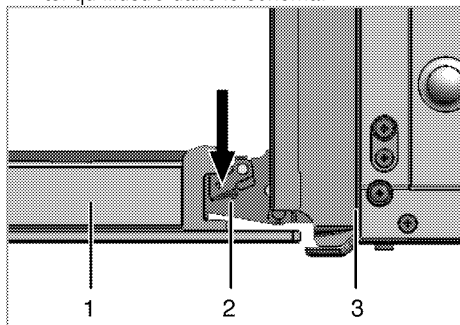
Nettoyage de la porte du four.

Utilisez de l'eau tiède avec du détergent, un chiffon doux ou une éponge pour nettoyer la porte du four et essuyez l'appareil à l'aide d'un chiffon sec.

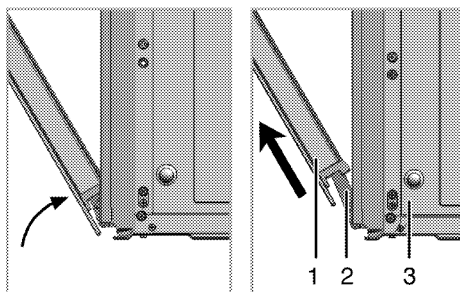
i N'utilisez pas de détergents abrasifs ou de grattoirs en métal dur pour nettoyer la porte du four. Vous pourriez rayer la surface et endommager la vitre.

Retirer la porte du four.

1. Ouvrez la porte frontale (1).
2. Ouvrez les clips sur le logement de la charnière (2) sur les côtés droit et gauche de la porte frontale en faisant pression sur les clips, tel qu'illustré dans le schéma.



- 1 Porte frontale
- 2 Charnière
- 3 Four



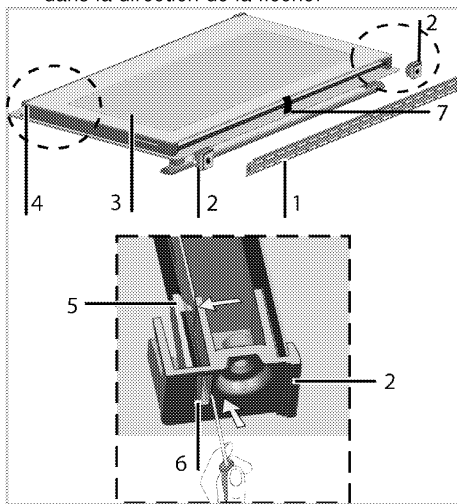
3. Ouvrez la porte frontale à moitié.
4. Retirez la porte frontale en la tirant vers le haut pour la libérer des charnières droite et gauche.

i Les étapes effectuées pendant le processus de retrait doivent être suivies dans l'ordre inverse pour installer la porte. N'oubliez pas de fermer les clips du logement de la charnière lors de la réinstallation de la porte.

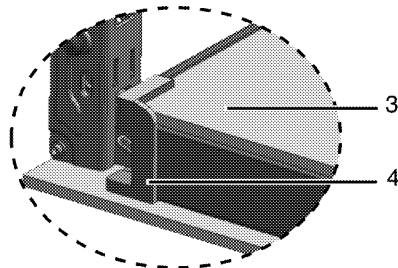
Retrait de la vitre de la porte

Le panneau vitré interne de la porte du four peut être retiré pour le nettoyage.

1. Ouvrez la porte du four.
2. Enlevez la partie en métal (1) en enlevant les vis qui la fixent.
3. Pour enlever les supports en plastique (2), utilisez un métal plat ou plastique, par exemple un couteau, un tourne-vis four libérez le pied de fixation (5).
4. Poussez le pied de fixation dans la fenêtre (6) dans la direction de la flèche.



- 1 Pièce métallique
- 2 Grille en plastique
- 3 Panneau vitré du fond
- 4 Encoche inférieure en plastique
- 5 Pied de fixation
- 6 Fenêtre
- 7 Tôle de support à verre



5. Tirez vers vous la tôle (7) qui se trouve au milieu pour libérer les panneaux en verre intérieurs.
6. Tirez le panneau en verre intérieur (3) vers vous jusqu'à ce qu'il se détache de ses encoches en plastique (4).
7. Tirez le panneau vitré du fond vers vous jusqu'à ce qu'il se détache de ses encoches en plastique (4) comme dans le cas des panneaux de verre intérieurs.
8. Quand vous réinstallez le panneau en verre, vérifiez qu'il est enclenché dans les encoches en plastique.

N'oubliez pas de remettre la tôle en place.

Remplacement de l'ampoule du four



DANGER:

Avant de remplacer l'ampoule de four, vérifiez que l'appareil est débranché de l'alimentation et froid afin d'éviter tout risque de choc électrique.

Les surfaces chaudes peuvent brûler !



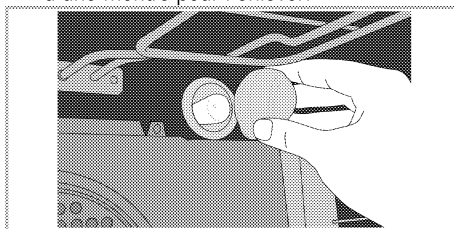
L'ampoule du four est une ampoule électrique d'éclairage spéciale pouvant résister à des chaleurs allant jusqu'à 300°C. Reportez-vous aux *Caractéristiques techniques*, page 12 pour les détails. Des ampoules de four sont disponibles auprès de votre technicien autorisé.



L'emplacement de la lampe peut varier par rapport à l'illustration.

Si votre four est équipé d'une lampe ronde :

1. Débranchez l'appareil de l'alimentation.
2. Dévissez le cache de l'ampoule en le tournant dans le sens contraire des aiguilles d'une montre pour l'enlever.



3. Dévissez l'ampoule du four en la tournant dans le sens inverse des aiguilles d'une montre et remplacez-la par une ampoule neuve.
4. Remettez en place le cache de l'ampoule.

8 Recherche et résolution des pannes

Le four émet de la vapeur lorsqu'il est en marche..

- Il est normal que de la vapeur s'échappe pendant le fonctionnement. >>> *Cela n'est pas un défaut.*

Le four émet des bruits métalliques lors des phases de chauffage et de refroidissement.

- Lorsque les pièces métalliques sont chauffées, elles peuvent se détendre et émettre ces bruits. >>> *Cela n'est pas un défaut.*

Le four ne fonctionne pas.

- Le fusible d'alimentation est défectueux ou grillé. >>> *Vérifiez les fusibles dans la boîte à fusibles. Remplacez ou réactivez-les le cas échéant.*
- L'appareil n'est pas relié à la prise de mise à la terre. >>> *Vérifiez le branchement de la prise.*

La lumière du four ne s'allume pas.

- L'ampoule du four est défectueuse. >>> *Remplacer l'ampoule du four.*
- L'alimentation est coupée. >>> *Vérifiez s'il y a du courant. Vérifiez les fusibles dans la boîte à fusibles. Remplacez ou réactivez-les le cas échéant.*

Le four ne chauffe pas.

- La fonction et /ou la température ne sont pas réglées. >>> *Réglez la fonction et la température avec les touches/manettes fonction et/ou température.*
- Sur les modèles équipés d'un minuteur, le minuteur n'est pas réglé. >>> *Réglez l'heure.* (Sur les produits avec four micro-ondes, le minuteur ne contrôle que le micro-ondes.)
- L'alimentation est coupée. >>> *Vérifiez s'il y a du courant. Vérifiez les fusibles dans la boîte à fusibles. Remplacez ou réactivez-les le cas échéant.*

Il n'y a pas d'étincelle d'allumage.

- Pas de courant. >>> *Vérifiez les fusibles dans la boîte à fusibles.*
- L'heure n'est pas réglée. >>> *Réglez l'heure.*

Il n'y a pas de gaz.

- Le robinet de gaz principal est fermé. >>> *Ouvrez le robinet du gaz.*
- Le tuyau du gaz est plié. >>> *Installez le tuyau du gaz correctement.*

Les brûleurs ne s'allument pas correctement ou pas du tout.

- Les brûleurs sont sales. >>> *Nettoyez les composants des brûleurs.*
- Les brûleurs sont humides. >>> *Séchez les composants des brûleurs.*
- Le couvercle du brûleur n'est pas assemblé correctement. >>> *Assemblez le couvercle du brûleur correctement.*
- Le robinet de gaz principal est fermé. >>> *Ouvrez le robinet du gaz.*
- La bonbonne de gaz est vide (en cas d'utilisation du LPG). >>> *Remplacez la bonbonne du gaz.*

(Sur les modèles avec un minuteur) L'écran de l'horloge clignote ou le symbole de l'horloge est allumé.

- Une coupure de courant a eu lieu. >>> *Réglez l'heure / Eteignez l'appareil, puis rallumez-le.*



Consultez le technicien autorisé ou le revendeur qui vous a vendu l'appareil si vous ne parvenez pas à résoudre le problème après avoir suivi les instructions comprises dans ce chapitre. N'essayez jamais de réparer un appareil défectueux vous-même.

485.9303.26/R.AA/27.10.2014/2-1

Free Manuals Download Website

<http://myh66.com>

<http://usermanuals.us>

<http://www.somanuals.com>

<http://www.4manuals.cc>

<http://www.manual-lib.com>

<http://www.404manual.com>

<http://www.luxmanual.com>

<http://aubethermostatmanual.com>

Golf course search by state

<http://golfingnear.com>

Email search by domain

<http://emailbydomain.com>

Auto manuals search

<http://auto.somanuals.com>

TV manuals search

<http://tv.somanuals.com>