

BEKO



BK 9550 NF

GB

Instructions for use



Index

1-7

Safety first	/1
Electrical requirements	/2
Transportation instructions	/2
Installation instructions	/2
Getting to know your appliance	/3
Suggested arrangement of food in the appliance	/3
Before operating	/4
Temperature control and adjustment	/4
Storing frozen food	/5
Freezing fresh food	/5
How to use the accessories	/5
Replacing the interior light bulb	/6
Cleaning and care	/6
Do's and don'ts	/7
Trouble - shooting	/7

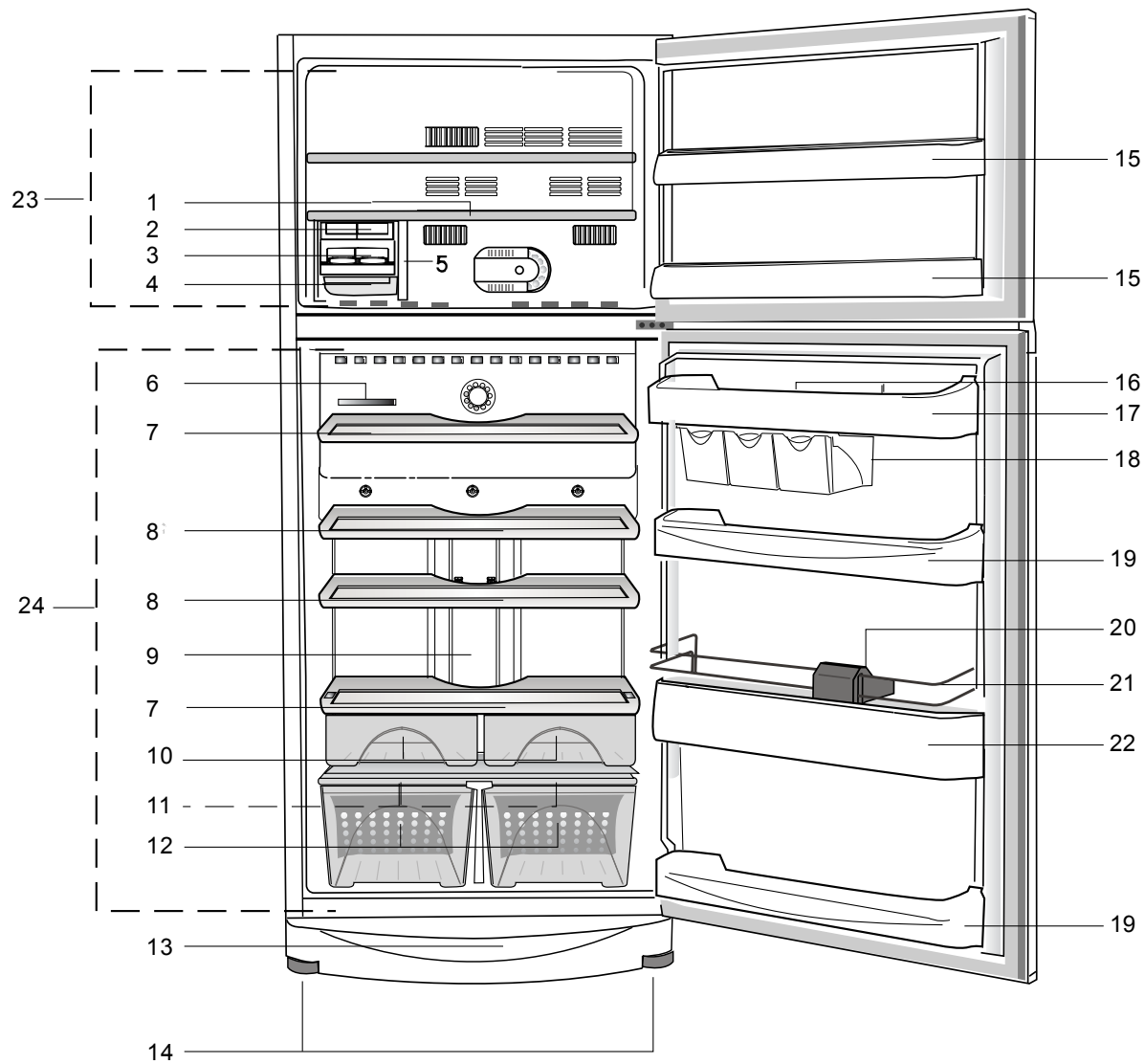


Fig.1

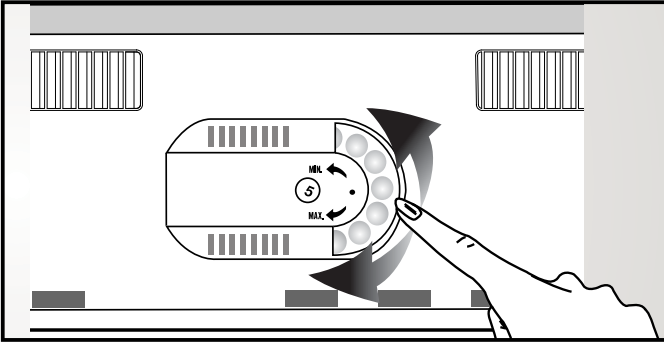


Fig.2

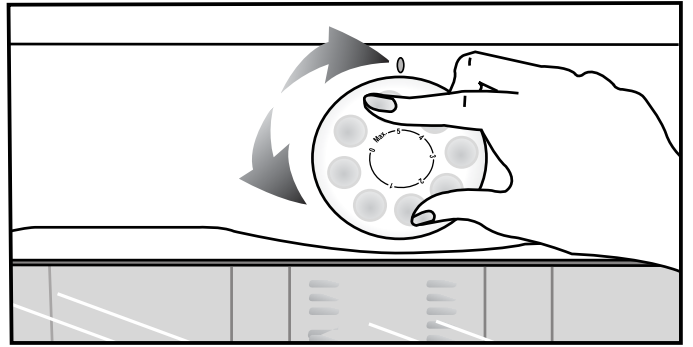


Fig.3

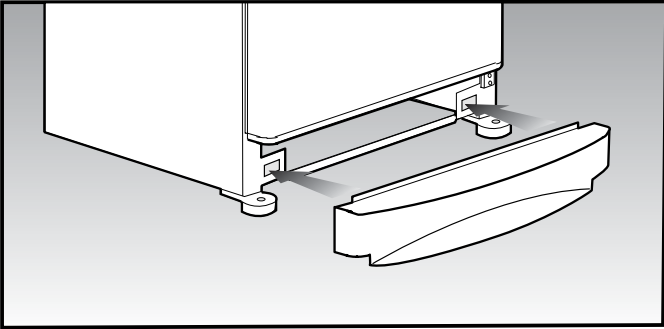


Fig.4

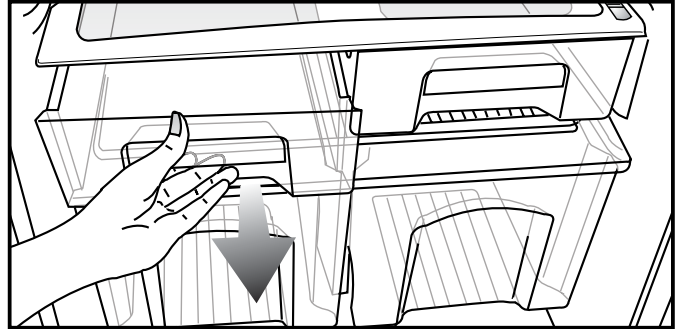


Fig.5

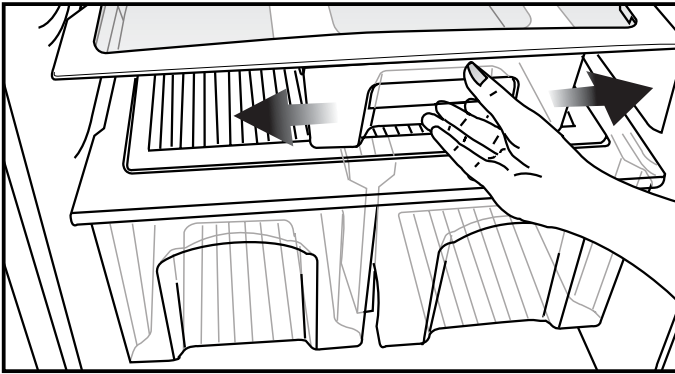


Fig.6

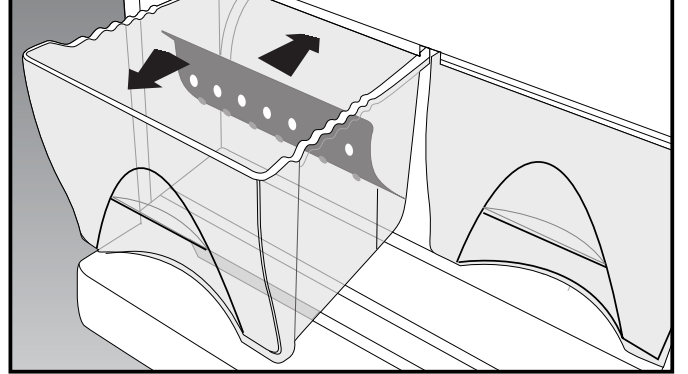


Fig.7

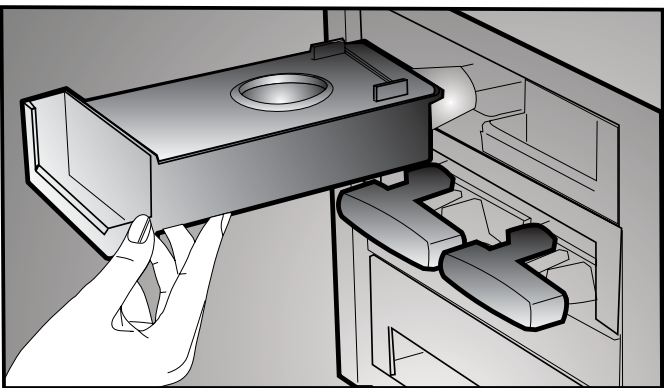


Fig.8

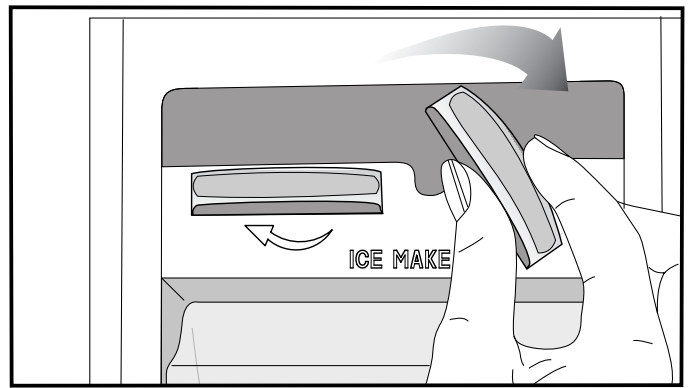


Fig.9

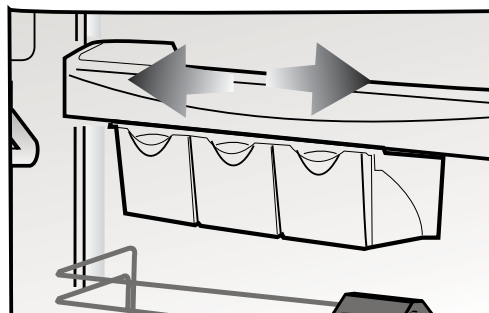


Fig.10

Congratulations on your choice of a **BEKO** Quality Appliance, designed to give you many years of service.

Safety first!

Do not connect your appliance to the electricity supply until all packing and transit protectors have been removed.

- Leave to stand for at least 4 hours before switching on, to allow compressor oil to settle, if transported horizontally.
- If you are discarding an old appliance with a lock or latch fitted to the door, ensure that it is left in a safe condition to prevent the entrapment of children.
- This appliance must only be used for its intended purpose i.e. the storing and freezing of edible foodstuff.
- Do not dispose of the appliance on a fire. Your appliance contains non CFC substances in the insulation which are flammable. We suggest you contact your local authority for information on disposal and available facilities.
- We do not recommend use of this appliance in an unheated, cold room. (e.g. garage, conservatory, annex, shed, out-house etc.)

To obtain the best possible performance and trouble free operation from your appliance it is very important to read these instructions carefully. Failure to observe these instructions may invalidate your right to free service during the guarantee period.

Please keep these instructions in a safe place for easy reference.

Electrical requirements

Before inserting the plug into the wall socket make sure that the voltage and the frequency shown in the rating plate inside the appliance corresponds to your electricity supply.

- Take care to ensure that the plug remains readily accessible. Do not use multiple adapter bar or extension cable.

Warning! This appliance must be grounded.

Repairs to electrical equipment should only be performed by a qualified technician. Incorrect repairs carried out by an unqualified person carry risks that may have critical consequences for the user of the appliance.

Transportation instructions

1. The appliance should be transported only in upright position. The packing as supplied must be intact during transportation.
2. If during the course of transport the appliance, has been positioned horizontally, it must not be operated for at least 4 hours, to allow the system to settle.
3. Failure to comply with the above instructions could result in damage to the appliance, for which the manufacturer will not be held liable for.
4. The appliance must be protected against rain, moisture and other atmospheric influences.

Important!

- Do not attempt to sit or stand on top of your appliance as it is not designed for such use. You could injure yourself or damage the appliance.
- Make sure that the mains cable is not caught under the appliance during and after moving, as this could damage the cable.
- Do not allow children to play with the appliance or tamper with the controls.

Installation instructions

1. Do not keep your appliance in a room where the temperature is likely to fall below 10 degrees C at night and/or especially in winter, as it is designed to operate in ambient temperatures between +10 and +43 degrees C. At lower temperatures the appliance may not operate, resulting in a reduction in the storage life of the food.
2. Do not place the appliance near cookers or radiators or in direct sunlight, as this will cause extra strain on the appliance's functions. If installed next to a source of heat or a freezer, maintain the following minimum side clearances:
 - From Cookers 30 mm
 - From Radiators 300 mm
 - From Freezers 25 mm
3. Make sure that sufficient room is provided around the appliance to ensure free air circulation.
 - Fit the bottom airing lid given in your appliance as shown in the diagram to the pins facing one another on the feet at the bottom of the door. Make sure claws and pins to hold each other for the pins-claws connection (**Fig. 4**).
4. The appliance should be positioned on a smooth surface. The two front feet can be adjusted as required. To ensure that your appliance is standing upright adjust the two front feet by turning clockwise or counter clockwise, until firm contact is secured with the floor. Correct adjustment of feet prevents excessive vibration and noise.
5. Refer to "Cleaning and Care" section to prepare your appliance for use.

Getting to know your appliance (Fig. 1)

1. Freezer - compartment plastic shelf
2. Ice - matic water transfer box
3. Ice - matic
4. Ice - box
5. Ice - matic back cover
6. Odor filters
7. Bottle - holder shelf
8. Fridge - compartment glass shelf
9. Fridge - compartment lighting
10. Second floor crisper
11. Humidity filters
12. Crispers
13. Lower air - circulation cover
14. Adjustable front feets
15. Freezer - compartment door shelf
16. Egg racks
17. Fridge - compartment door shelf with slider
18. Sliding storage boxes
19. Fridge - compartment door shelf
20. Bottle holder
21. Wire frame
22. Bottle shelf
23. Freezer - compartment
24. Fridge - compartment

Suggested arrangement of food in the appliance

Guidelines for obtaining optimum storage and hygiene:

1. The fridge compartment is for the short-term storage of fresh food and drinks.
2. The freezer compartment is *** ** ***rated and suitable for the freezing and storage of pre-frozen food. The recommendation for *** ** *** storage as stated on the food packaging should be observed at all times.
3. •Hot meals should be cooled down to room temperature before putting into the refrigerator.
 - Food that you want to freeze should be fresh and in good quality.

- Food should be separated into portions according to the daily or meal needs.
 - Even if food will be stored for a short period, food should be wrapped so that will not leak air to prevent drying. Packing materials should be resistant to cold, being torn, moisture, odor, oil and acid. And also should not let air-pass through. Besides they should be closed well, handy and made of convenient material for using in the deep freezers.
4. Dairy products should be stored in the special compartment provided in the door liner.
 5. Cooked dishes should be stored in airtight containers.
 6. Fresh wrapped products can be kept on the shelf. Fresh fruit and vegetables should be cleaned and stored in the crisper bins.
 7. Bottles can be kept in the door section.
 8. To store raw meat, wrap in polythene bags and place on the zero temperature compartment. Do not allow to come into contact with cooked food, to avoid contamination. For safety, only store raw meat for two to three days.
 9. For maximum efficiency, the removable shelves should not be covered with paper or other materials to allow free circulation of cool air.
 10. Do not keep vegetable oil on door shelves. Keep the food packed, wrapped or covered. Allow hot food and beverages to cool before refrigerating. Leftover canned food should not be stored in the can.
 11. Fizzy drinks should not be frozen and products such as flavoured water ices should not be consumed too cold.
 12. Some fruit and vegetables suffer damage if kept at temperatures near 0 °C. Therefore wrap pineapples, melons, cucumbers, tomatoes and similar produce in polythene bags and store in vegetable crisper.
 13. High-proof alcohol must be stored upright in tightly closed containers. Never store products that contain an inflammable propellant gas (e.g. cream dispensers, spray cans, etc.) or explosive substances. These are an explosion hazard.

Before operating

Final Check

Before you start using the appliance check that:

1. The feet have been adjusted for perfect levelling.
2. The interior is dry and air can circulate freely at the rear.
3. The interior is clean as recommended under "Cleaning and care."
4. The plug has been inserted into the wall socket and the electricity is switched on. When the door is open the interior light will come on.

And note that:

5. You will hear a noise as the compressor starts up. The liquid and gases sealed within the refrigeration system may also make some (noise), whether the compressor is running or not. This is quite normal.
6. Slight undulation of the top of the cabinet is quite normal due to the manufacturing process used; it is not a defect.
7. We recommend setting the thermostat knob midway and monitor the temperature to ensure the appliance maintains desired storage temperatures (See section Temperature Control and Adjustment).
8. Do not load the appliance immediately it is switched on. Wait until the correct storage temperature has been reached. We recommend checking the temperature with an accurate thermometer (see; Temperature Control and Adjustment).

Temperature control and adjustment

- Internal temperature changes of the refrigerator which consists freezer compartment and refrigeration compartment can be adjusted by the thermostat adjustment knob on the illuminated panel.

Operating temperatures are controlled by the thermostat knob (**Fig. 2-3**) and may be set at any position between MIN. and MAX. (the coldest position).

The average temperature inside the fridge should be around +5°C.

Therefore adjust the thermostat to obtain the desired temperature. Some sections of the fridge may be cooler or warmer (such as salad crisper and top part of the cabinet) which is quite normal. We recommend that you check the temperature periodically with a thermometer to ensure that the cabinet is kept to this temperature. Frequent door openings cause internal temperatures to rise, so it is advisable to close the door as soon as possible after use.

•Refrigeration compartment temperature adjustment

The temperature of the refrigeration compartment depends on the amount of air coming from the freezer compartment. You can make the temperature adjustment of the refrigeration compartment by bringing the adjuster that is placed on the back wall of the refrigeration compartment between "1" and "5" positions. (**Fig. 3**)

Please note that the freezer compartment stops working if the thermostat knob is settled to "0" position.

Important !

- The temperature of freezer compartment is affected by environmental conditions and upper compartments.
- When the temperatures of the freezer and refrigeration compartments are adjusted to maximum, food stored just below the adjuster of the refrigeration compartment may freeze.

Storing frozen food

Your freezer is suitable for the long-term storage of commercially frozen foods and also can be used to freeze and store fresh food. If there is a power failure, do not open the door. Frozen food should not be affected if the failure lasts for less than 15 hrs. If the failure is longer, then the food should be checked and either eaten immediately or cooked and then re-frozen

Freezing fresh food

Please observe the following instructions to obtain the best results.

Do not freeze too large a quantity at any one time. The quality of the food is best preserved when it is frozen right through to the core as quickly as possible.

Do not exceed the freezing capacity of your appliance in 24 h.

Placing warm food into the freezer compartment causes the refrigeration machine to operate continuously until the food is frozen solid. This can temporarily lead to excessive cooling of the refrigeration compartment.

When freezing fresh food, keep the thermostat knob at medium position. Small quantities of food up to 1/2 kg. (1 lb) can be frozen without adjusting the temperature control knob.

Take special care not to mix already frozen food and fresh food.

How to use the accessories

Zero temperature compartment (Fig. 5/6)

This compartment has been designed to store frozen food which would be thawed slowly (meat, fish, chicken...etc.) as required or food wouldn't be frozen and after a short time would be consumed in a better and healthier condition. Don't put dairy products or similar foods won't be frozen as required into this

compartment which is the coldest place of the refrigerating compartment.

Crisper separators (Fig. 7)

These colourful separators in the crispers have been designed to keep your vegetables and fruit fresh and protect them against smashing. By moving the separator forward, you can keep them in the created room at the back of it. As it is not required in use, the separator can be pushed back and locked.

Ice – matic (Fig. 8/9)

Ice – matic water is fed from the ice – matic water transfer box. After removing the ice - matic water transfer box, it should be filled with water. Waiting for two minutes, put it on its place. The water reservoirs of the ice – matic will be filled automatically. Your ice will be ready in about two hours. You needn't take the ice-matic out in order to get ice; just turn it 90 to the right., and the ice will drop into the ice-bowl below. Then take out the ice-bowl to serve the ice. If you wish, you can leave the ice in the bowl for a while.

Attention! After filling and putting on its place, the ice-matic water transfer box should be pushed until hearing the "click" voice. If there exists some ice in the box you should wait it to melt. When the elastic part, which is attached to the front of the ice-matic water transfer box, is removed it should be reattached so that the water transfer hole should be placed to the bottom. It should be carefully controlled that this elastic part attached well.

Sliding storage boxes (Fig. 10)

This accessory is designed to use the door shelves' volume more efficiently. Its property of moving right or left helps to easily settle high bottles to the lower shelf.

Temperature adjustable compartments (Fig. 6)

These compartments are designed for optional usage. You can either use these compartments for zero temperature compartment or for second floor crisper when you need extra volume for your vegetables.

Attention! You can extend your fridge's volume by removing the left-side second floor crisper. To do this, pull the crisper and the crisper will stop because it will reach the stopper. Raise the front part of the crisper 1 cm., repull the crisper and it will be removed easily. The right-side second floor crisper can be moved right and left by the help of its sliding mechanism. So you can move this compartment according to the volume of the pots in the fridge.

Replacing the interior light bulb

Should the light fail, switch off at the socket outlet and pull out the mains plug.

Then ensure the bulb is screwed securely in the bulb holder. Replace the plug and switch on.

If the light still fails, obtain a replacement E14 screw-cap type 15 Watt (Max) bulb from your local electrical store and then fit it.

Carefully dispose of the burnt-out light bulb immediately.

Cleaning and care

1. We recommend that you switch off the appliance at the socket outlet and pull out the mains plug before cleaning.
 2. Never use any sharp instruments or abrasive substances, soap, household cleaner, detergent or wax polish for cleaning.
 3. Use lukewarm water to clean the cabinet of the appliance and wipe it dry.
 4. Use a damp cloth wrung out in a solution of one teaspoon of bicarbonate of soda to one pint of water to clean the interior and wipe it dry.
 5. Make sure that no water enters the temperature control box.
 6. If the appliance is not going to be used for a long period of time, switch it off, remove all food, clean it and leave the door ajar.
 7. We recommend that you polish the metal parts of the product (i.e. door exterior, cabinet sides) with a silicone wax (car polish) to protect the high quality paint finish.
 8. Check door seals regularly to ensure they are clean and free from food particles.
 9. Never:
 - Clean the appliance with unsuitable material; e.g. petroleum based products.
 - Subject it to high temperatures in any way,
 - Scour, rub etc., with abrasive material.
 10. Removal of dairy cover and door tray :
 - To remove the dairy cover, first lift the cover up by about an inch and pull it off from the side where there is an opening on the cover.
 - To remove a door tray, remove all the contents and then simply push the door tray upwards from the base.
 11. Make sure that the special plastic tray at the bottom of the appliance which collects defrost water is clean at all times. If you want to remove the tray to clean it, follow the instructions below:
 - Take out the ventilation cover that is located at the bottom of the appliance by pulling it toward yourself.
 - Pull out the plastic tray at the bottom.
 - Put this tray in its place after cleaning it with soapy water.
 - Insert the bottom ventilation cover in its place by pressing.
- Note: Never use gasoline or similar materials for cleaning purposes.

Do's and don'ts

Do- Wrap all food in aluminium foil or freezer quality polythene bags and make sure any air is excluded.

Do- Prepare fresh food for freezing in small portions to ensure rapid freezing.

Do- Always choose high quality fresh food and be sure it is thoroughly clean before you freeze it.

Do- Store commercially frozen food in accordance with the instructions given on the packets.

Do- Keep food for as short a time as possible and adhere to "Best Before" and "Use by" etc. dates.

Do- Check contents of the freezer every so often.

Do- Wrap cheese firstly in greaseproof paper and then in a polythene bag, excluding as much air as possible. For best results, take out of the fridge compartment an hour before eating.

Do- Wrap bread well to keep it fresh.

Do- Chill white wines, beer, lager and mineral water before serving.

Do- Wrap frozen food immediately after purchasing and put it in to the freezer as soon as possible.

Don't- Store bananas in your fridge compartment.

Don't- Cover the shelves with any protective materials which may obstruct air circulation.

Don't- Store poisonous or any dangerous substances in your appliance. It has been designed for the storage of edible foodstuffs only.

Don't- Consume food which has been refrigerated for an excessive length of time.

Don't- Store cooked and fresh food together in the same container. They should be packaged and stored separately.

Don't- Leave the door open for long periods, as this will make the appliance more costly to run.

Don't- Put hot food into the appliance. Let it cool down first.

Don't- Put liquid-filled bottles or sealed cans

containing carbonated liquids into the freezer, as they may burst.

Don't- Exceed the maximum freezing loads when freezing fresh food.

Don't- Give children ice-cream and water ices direct from the freezer. The low temperature may cause 'freezer burns' on lips.

Don't- Freeze fizzy drinks.

Don't- Try to keep frozen food which has thawed; it should be eaten within 24 hours or cooked and refrozen.

Don't- Remove items from the freezer with wet hands.

Trouble - shooting

If the appliance does not operate when switched on, check;

- That the plug is inserted properly in the socket and that the power supply is on. (To check the power supply to the socket, plug in another appliance)
- Whether the fuse has blown/circuit breaker has tripped/main distribution switch has been turned off.
- That the temperature control has been set correctly.
- That the new plug is wired correctly, if you have changed the fitted, moulded plug.

If the appliance is still not operating at all after above checks, contact the dealer from whom you purchased the unit.

Please ensure that above checks have been done, as a charge will be made if no fault is found.

Free Manuals Download Website

<http://myh66.com>

<http://usermanuals.us>

<http://www.somanuals.com>

<http://www.4manuals.cc>

<http://www.manual-lib.com>

<http://www.404manual.com>

<http://www.luxmanual.com>

<http://aubethermostatmanual.com>

Golf course search by state

<http://golfingnear.com>

Email search by domain

<http://emailbydomain.com>

Auto manuals search

<http://auto.somanuals.com>

TV manuals search

<http://tv.somanuals.com>