

**BEKO**

*installation, operation &  
food storage instructions*

**Tall Larder  
Fridge**

**TLD 673 APB  
TLD 673 APW**



get the **best** from your new refrigerator

## Please read this manual first!

Dear Customer,

We hope that your product, which has been produced in modern plants and checked under the most meticulous quality control procedures, will provide you with years of good service.

For this, we recommend you to carefully read the entire manual of your product before using it and keep it at hand for future reference.




### This manual

- Will help you use your appliance quickly and safely.
- Read the manual before installing and operating your product.
- Follow the instructions, especially those for safety.
- Keep the manual in an easily accessible place as you may need it later.
- Besides, read also the other documents provided with your product.

Please note that this manual may be valid for other models as well.

### Symbols and their descriptions

This instruction manual contains the following symbols:

-  Important information or useful usage tips.
-  Warning against dangerous conditions for life and property.
-  Warning against electric voltage.



This product bears the selective sorting symbol for waste electrical and electronic equipment (WEEE).

This means that this product must be handled pursuant to European Directive 2002/96/EC in order to be recycled or dismantled to minimise its impact on the environment. For further information, please contact your local or regional authorities.

Electronic products not included in the selective sorting process are potentially dangerous for the environment and human health due to the presence of hazardous substances.

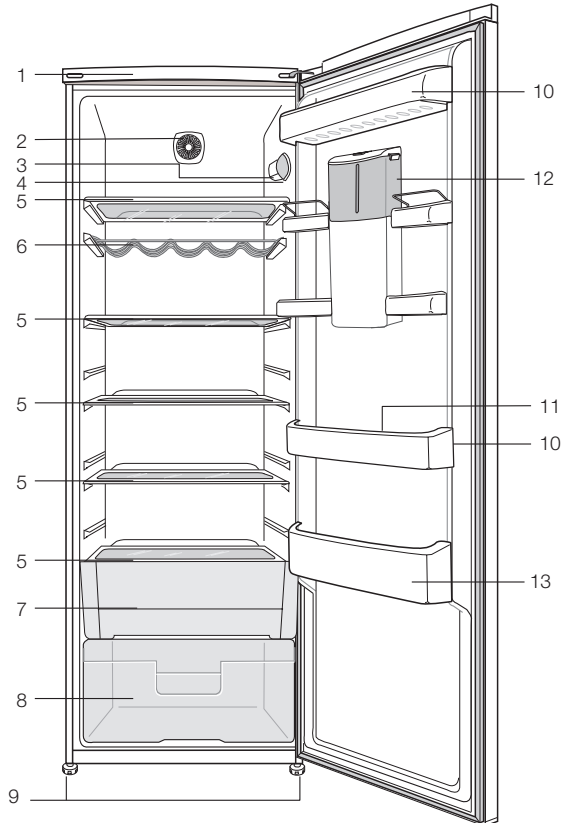
# CONTENTS

---

<b><u>1 Your refrigerator</u></b>	<b><u>3</u></b>	<b><u>5 Using your refrigerator</u></b>	<b><u>15</u></b>
		CHILLER ZONE COMPARTMENT	
<b><u>2 Warnings</u></b>	<b><u>4</u></b>	DRAWER.....	15
ELECTRICAL REQUIREMENTS.....	5	Water dispenser .....	17
WARNING! THIS APPLIANCE MUST BE EARTHED .....	5		
<b><u>3 Installation</u></b>	<b><u>7</u></b>	<b><u>6 Maintenance and cleaning</u></b>	<b><u>19</u></b>
TRANSPORTATION INSTRUCTIONS.	7		
INSTALLATION INSTRUCTIONS.....	7	<b><u>7 Do's and Don'ts</u></b>	<b><u>20</u></b>
REPLACING THE INTERIOR LIGHT BULB .....	10		
REVERSING THE DOORS.....	11		
<b><u>4 Before operating</u></b>	<b><u>14</u></b>		
STARTING.....	14		

# 1 Your refrigerator

Congratulations on your choice of a BEKO quality Appliance which has been designed to give you service for many years.



- |    |                    |     |                         |
|----|--------------------|-----|-------------------------|
| 1. | Front plastic trim | 7.  | 0 °C Compartment        |
| 2. | Interior light     | 8.  | Crisper                 |
| 3. | Fan                | 9.  | Adjustable front feet   |
| 4. | Thermostat knob    | 10. | Adjustable door shelves |
| 5. | Movable shelves    | 11. | Egg compartment         |
| 6. | Wine rack          | 12. | Water Dispenser         |
|    |                    | 13. | Bottle shelf            |

**i** Figures that take place in this instruction manual are schematic and may not correspond exactly with your product. If the subject parts are not included in the product you have purchased, then it is valid for other models.

## 2 Warnings

---

- DO NOT connect your appliance to the electricity supply until all packing and transit protectors have been removed.
- Leave to stand for at least 4 hours before switching on to allow compressor oil to settle if transported horizontally.
- If you are discarding an old refrigerator with a lock or latch fitted to the door, disable the lock/latch, ensure that it is left in a safe condition to prevent the entrapment of young children.
- This fridge/freezer must only be used for its intended purpose i.e the storing and freezing of edible foodstuff.
- Do not dispose of the appliance on a fire. At **BEKO**, the care and protection of our environment is an ongoing commitment. This appliance which is among the latest range introduced is particularly environment friendly. Your appliance contains non CFC / HFC natural substances in the cooling system (Called R600a) and in the insulation (Called cyclopentane) which are potentially flammable if exposed to fire. Therefore, take care not to damage, the cooling circuit / pipes of the appliance in transportation and in use. In case of damage do not expose the appliance to fire or potential ignition source and immediately ventilate the room where the appliance is situated.
- We suggest you contact your local authority for disposal information and facilities available.
- To obtain the best possible performance and trouble free operation from your appliance it is very important to carefully read these instructions.
- On delivery, check to make sure that the product is not damaged and that all the parts and accessories are in perfect condition.
- Ensure that the plug remains readily accessible. Do not use multiple adapter bar or extension cable.
- Failure to observe these instructions may invalidate your right to free service during the guarantee period.
- Keep ventilation openings, in the appliance enclosure or in the built-in structure, clear of obstruction.
- Do not use mechanical devices or other means to accelerate the defrosting process, other than those recommended by the manufacturer.
- Do not damage the refrigerant circuit.
- Do not use electrical appliances inside the food storage compartments of the appliance, unless they are of the type recommended by the manufacturer.
- We suggest you keep these instructions in a safe place for easy reference.
- This appliance is not intended for use by persons (including children) with reduced physical, sensory or mental capabilities, or lack of experience and knowledge, unless they have been given supervision or instruction concerning use of the appliance by a person responsible for their safety.
- Children should be supervised to ensure that they do not play with the appliance.

## **ELECTRICAL REQUIREMENTS**

Before you insert the plug into the wall socket make sure that the voltage and the frequency shown on the rating plate inside the appliance corresponds to your electricity supply.

Rating label is on the left hand side of fridge inner liner.

We recommend that this appliance be connected to the mains supply via a suitable switched and fused socket.

The appliance must be positioned so that the plug is accessible.

Should the mains lead of the appliance become damaged or should it need replacing at any time, it must be replaced by a special purpose made mains lead which can only be obtained from a BEKO Authorised Service Agent.

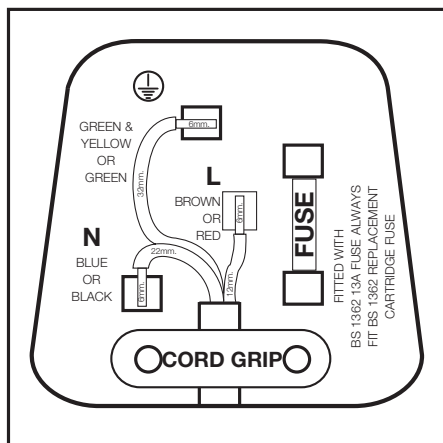
## **WARNING! THIS APPLIANCE MUST BE EARTHED**


If the fitted moulded plug is not suitable for your socket, then the plug should be cut off and an appropriate plug fitted. Destroy the old plug which is cut off as a plug with bared cord could cause a shock hazard if inserted into a socket elsewhere in the house.

The moulded plug on this appliance incorporates a 13 A fuse. Should the fuse need to be replaced an ASTABEAB approved BS 1362 fuse of the same rating must be used. Do not forget to refit the fuse cover. In the event of losing the fuse cover the plug must not be used until a replacement fuse cover has been fitted. Colour of the replacement fuse cover must be the same colour as that visible on the pin face of the plug. Fuse covers are available from any good electrical store.

## IMPORTANT! FITTING A DIFFERENT PLUG

As the colours of the wires in the mains lead of this appliance may not correspond with the coloured markings identifying the terminals in your plug proceed as follows: (See diagram).



1. Connect the green-yellow or green (Earth) wire to the terminal in the plug marked 'E' or with the symbol  or coloured green and yellow or green.
2. Connect the blue (Neutral) wire to the terminal in the plug marked 'N' or coloured black.
3. Connect the brown (Live) wire to the terminal in the plug marked 'L' or coloured red.

With alternative plugs a 13 A fuse must be fitted either in the plug or adaptor or in the main fuse box. If in doubt contact a qualified electrician.

## 3 Installation

### TRANSPORTATION INSTRUCTIONS

1. The appliance should be transported only in a vertical upright position. The packing as supplied must be intact during transportation.
2. If during the course of transport the appliance has to be transported horizontally, it must only be laid on its right hand side when standing in the front of the appliance. After bringing it to upright position, it must not be operated for at least 4 hours to allow the system to settle.
3. Failure to comply with the above instructions could result in damage occurring to the appliance. The manufacturer will not be held responsible if these instructions are disregarded.
4. The appliance must be protected against rain, moisture and other atmospheric influences.
5. When positioning your appliance take care not to damage your flooring, pipes, wall coverings etc. Do not move the appliance by pulling by the door or handle.
6. Empty any water in the drain tray before moving. See section 'Defrosting' and 'Care & cleaning' for further information.

**IMPORTANT :** Care must be taken while cleaning / carrying the appliance to avoid touching the bottom of the condenser metal wires at the back of the appliance as you might injure your fingers and hands.

**IMPORTANT :** This appliance is not designed for stacking with any other appliance.

Do not attempt to sit or stand on top of your appliance as it is not designed for such use. You could injure yourself or damage the appliance.

**"IMPORTANT:** Make sure that mains cable is not caught under the appliance during and after carrying / moving the appliance, to avoid the mains cable becoming cut or damaged."

Do not allow children to play with the appliance or tamper with the controls. V plc declines to accept any liability should the instructions not be followed.

### INSTALLATION INSTRUCTIONS

1. The space in the room where the appliance is installed must not be smaller than 10 cubic metres.
2. If possible avoid placing the appliance near cookers, radiators or in direct sunlight as this will cause the compressor to run for long periods. If installed next to a source of heat or refrigerator, maintain the following minimum side clearances:

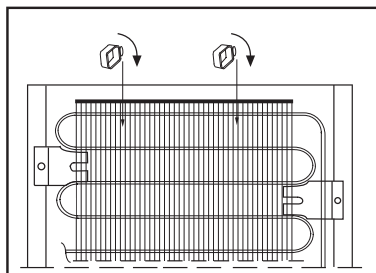


From Cookers  
From Radiators  
From Refrigerators or Freezers

2 (50 mm)  
12 (300 mm)  
1 (25 mm)

Allow a minimum of 60 mm (2.4 inches) between the top of the fridge and the ceiling or the underside of a wall cupboard.

3. Make sure that sufficient room is provided around the appliance to ensure free air circulation.



4. Fit the two plastic wall spacers supplied with the appliance rotating 1/4 turn to the condenser at the back of the refrigerator (see diagram).

5. The appliance should be located on a smooth surface. The two front feet can be adjusted as required. To ensure that your appliance is standing upright adjust the two front feet by turning clockwise or anti-clockwise, until the product is in firm contact with the floor. Correct adjustment of feet avoids excessive vibration and noise.

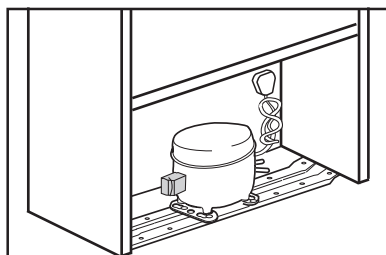
6. Refer to cleaning and care section to prepare your appliance for use.

7. This appliance has been designed to operate in ambient temperatures

between +10 and +32 degrees C (50 and 90 degrees F). Therefore if the appliance is installed in an unheated / cold room (E.g.: Conservatory /annex / shed / garage etc.) then the appliance may not operate and as a result the storage time of food may be reduced.

8. A special receptacle is supplied to store the mains plug during transit. The receptacle is fixed at the back of the cabinet, on the right hand side of the compressor. (See diagram) Gently remove the plug from the receptacle. Never pull the mains cord, you may damage the appliance.

In the case of transportation, ensure you locate the plug in the receptacle provided to avoid transit damage.



The following guidelines and recommendations are suggested to obtain the best results and storage hygiene.

1. The larger fridge is suitable for the short term storage of fresh food and drinks.

2. Cooked dishes must be stored in airtight covered containers.

3. Fresh wrapped produce can be placed on the shelf. Fresh fruit and vegetables should be cleaned and stored in the salad crisper bin.

4. Bottles can be placed upright in the door rack.

5. To store raw meat, wrap in polythene bags and place in the Chiller Zone Compartment . Do not allow to come into contact with cooked food to avoid contamination. For safety, only store raw meat for two to three days.

6. Keep the food packed, wrapped or covered. Allow hot food and beverages to cool before placing them in the fridge. Do not store poisonous or dangerous substances in the refrigerator. High proof alcohol must be stored upright in sealed containers. Left over canned food should not be stored in the can.

7. Some fruit and vegetables suffer damage if kept at temperatures near 0 degrees centigrade. Therefore wrap pineapples, melon, cucumbers, tomatoes and similar produce in polythene bags.

8. Do not leave frozen food at room temperature to thaw; the best way to defrost food is to put it in the fridge to thaw slowly. Make sure you avoid defrosting food or food juices drip onto other food.

## DEFROSTING

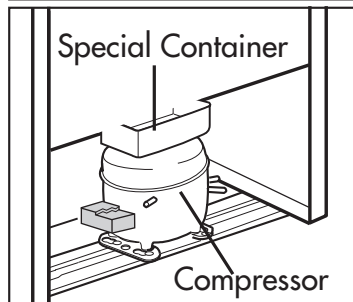
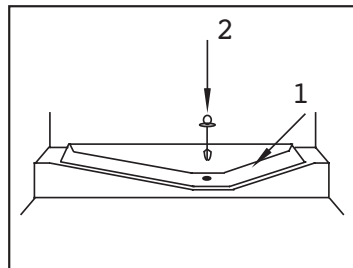
The larder refrigerator defrosts automatically. The defrosting water runs to the drain tube via a collection channel (1)

behind the Chiller Zone Compartment drawer and is evaporated in a special container at the back of the appliance (see diagrams).

Ensure that the container is fixed properly above the compressor. During defrosting water droplets may form at the back of the larder refrigerator where concealed evaporator is located. Some droplets may remain on the liner and refreeze when defrosting is completed.

Do not use pointed or sharp edged objects such as knives, forks to remove the droplets which have refrozen.

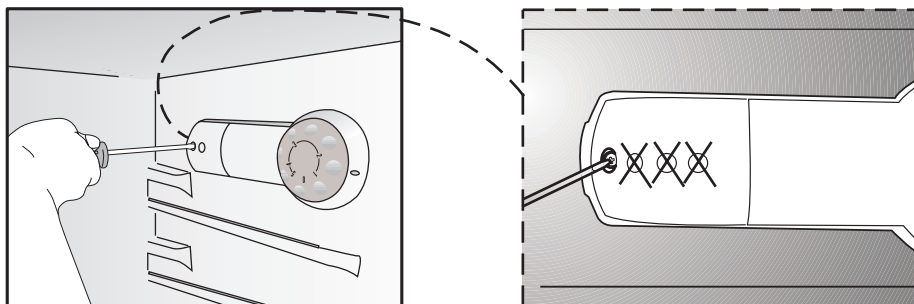
If at any time the defrost water does not drain from the collection channel, remove the Chiller Zone Compartment drawer and check to ensure that no food particles have blocked the drain tube. The drain tube can be cleared by pushing the special plastic plunger provided down the drain tube (2)



## REPLACING THE INTERIOR LIGHT BULB

Should the light fail to work, proceed as follows.

1. Switch off at the socket outlet and pull out the mains plug.  
You may find it useful to remove shelves for easy access.
  2. Remove the light diffuser cover screw. Use cross-headed screw driver.
  3. Pull off the light diffuser cover and remove the light bulb.
  4. Replace the burnt-out light bulb.
  5. Reassemble reversing the sequence and operations. First ensure the top of the cover is in place.
  6. Carefully dispose of the burnt-out light bulb immediately.
- “Replacement light bulb can easily be obtained from a good local electrical or DIYstore.”



## REVERSING THE DOORS

We recommend that you reverse doors before switching on for the first time.

Tools required: Small and medium size flat and cross-headed screwdrivers, a pair of pliers.

Spare Parts supplied in the plastic bag: The following parts, which are exclusively for left hand side fitted hinge operation are supplied in a plastic bag with the appliance:

- Door top trim hinge covers – there are 2 different parts, one for each side of top trim..

We suggest you keep all the parts supplied in the plastic bag and also parts, which have been removed when reversing doors, in a safe place for possible future, re-use.

**IMPORTANT:** We suggest you ask somebody to help you when moving the appliance around and to hold doors when removing / re-fitting hinges and doors to avoid any injury and damage to the product.

Please refer to diagrams supplied. To follow numbers in brackets below, refer to the main diagram.

1. Switch off the appliance at the socket outlet and pull out the mains plug.
2. Remove all loose items and fittings and food inside the appliance.

3. Gently prise off plastic hinge covers on both sides of front top panel using a small flat-headed screwdriver. (1-2)
4. Unscrew the bolts of the top hinge and remove top hinge. (3)
5. Remove door carefully off the bottom hinge and stand door upright in a safe place.(4)
6. Gently prise off plastic hinge cover on door top trim. Fit the other door top trim plastic off hinge cover supplied in the plastic bag.(5)
7. Gently tilt the appliance back against a strong wall on its rear side sufficiently to allow the lower hinge to be removed. Take care to protect the appliance, your wall and floor coverings. You can utilise the original packaging to do this.Once you tilt the appliance back, check to make sure the appliance is completely stable and safe before you carry on. (6)
8. Unscrew and remove the front feet and 1 bolt. (7)
9. Unscrew and remove the bottom hinge. (8)
10. Unscrew and remove the bottom hinge door stopper and bushing and reposition them on the other side while rotating the bushing 180°. (9)
11. Fit the bottom hinge and tighten the screws as shown in figure. (10)
12. Fit the other front feet as shown in figure. (11)
13. Rotate the top hinge 180°. Unscrew the hinge pin and re-tighten it to the opposite side. (12)
14. Fit the top hinge on the left hand side bushing of the door. (13)
15. Locate and re-fit door to bottom hinge pin. (14)

16. Re-fit the upper hinge on the opposite side by using a flat headed screwdriver. (15)

**17.** Fit front top panel plastic hinge covers on the opposite sides. (16)

18. Remove the handle cover gently taking care not to damage the appliance.(17)

19. Unscrew and remove the handle (18). Do not unscrew the yellow coloured screws!

20. Rotate 180 degrees and fit handle to the other side after removing hole plugs gently.(19,20)

**21.** Fit the handle cover.(21)

**22.** Adjust the two front feet if necessary.

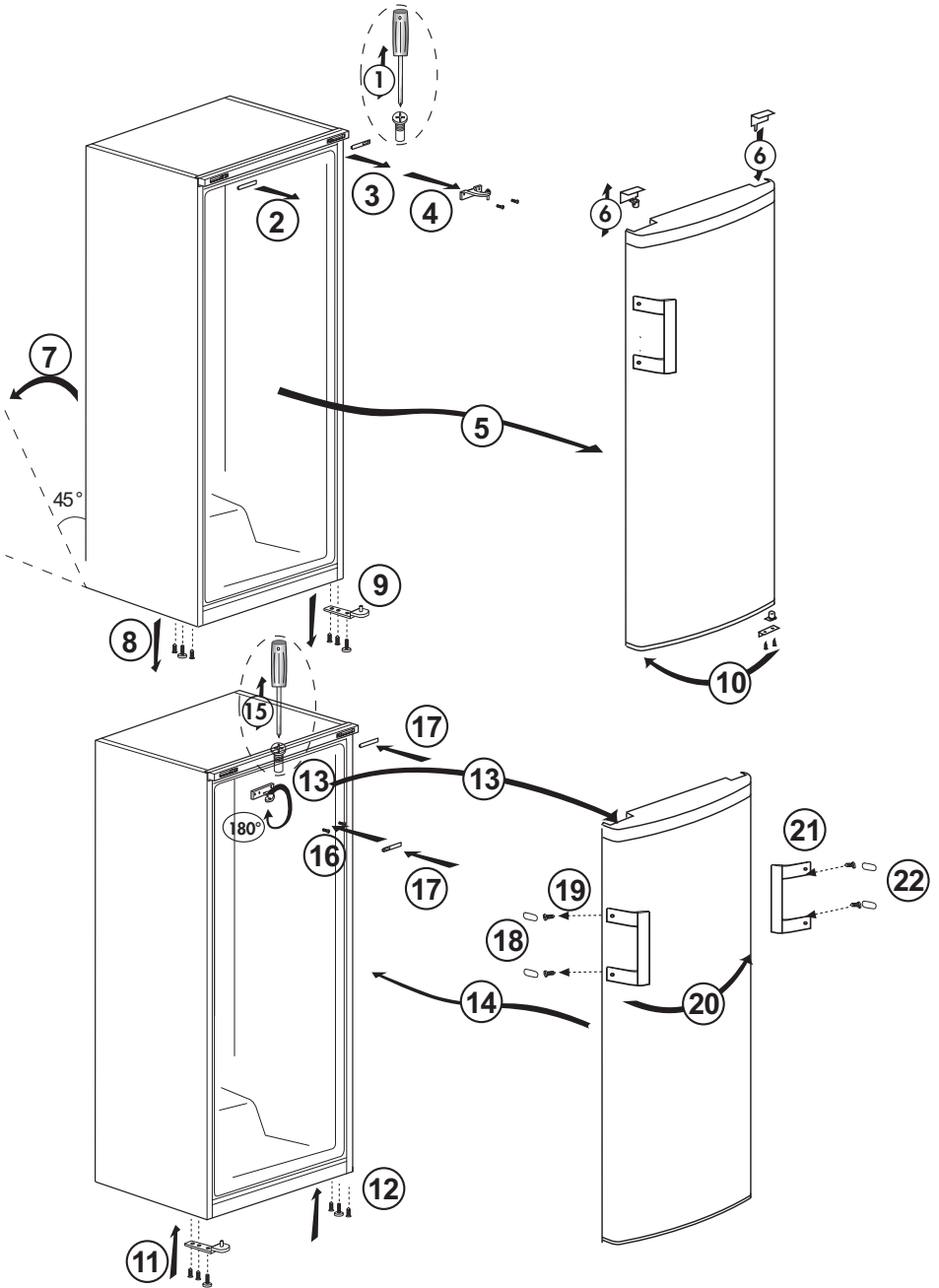
23. Check that door opens and closes easily, it is aligned correctly and there are no gaps allowing air into the cabinet. If there are gaps between the door seal and the cabinet, adjust the door seal by gently pulling away from the door using fingers.

24. Check that all the hinge screws are tightened. Avoid over tightening the screws.

25. Put all items, fittings back in the appliance.

26. Wait for at least 4 hours to allow the system to settle before switching on.

27. Once the correct storage temperatures have been reached in the appliance, put back all the food.



## 4 Before operating

---

### STARTING

#### Final Check

Before you start using the refrigerator check that:

- 1.The front feet have been adjusted so the appliance is level.
- 2.The interior is dry and air can circulate freely.
- 3.Clean the interior as recommended under "CLEANING AND CARE."
- 4.Insert the plug into the wall socket and switch on the electricity supply. When the door is open the interior light will come on.
- 5.You will hear a noise as the compressor starts up. The liquid and gases sealed within the refrigeration system may also give rise to noise, whether the compressor is running or not which is quite normal.
6. We recommend that you set the thermostat knob at 3 (three) and monitor the temperature to ensure the appliance maintains desired storage temperatures (See section Temperature Control and Adjustment).
7. Do not load the appliance immediately it is switched on. Wait until the correct storage temperature has been reached.

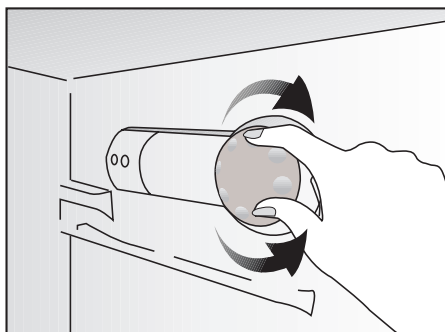
We recommend that you check the temperature with an accurate thermometer (see; Temperature Control and Adjustment).

### Important Note :

Ice formation at the back is normal, do not worry. (See Defrosting) fan guard as they may cause the cooling system to block and therefore operate less efficiently.

## 5 Using your refrigerator

### TEMPERATURE CONTROL AND ADJUSTMENT OF FRIDGE



Operating temperatures are controlled by the thermostat knob (Fig. 1) and may be set at any position between 1 and

5, 5 being the coldest position.

Towards 5 you will obtain a colder fridge temperature and vice versa. Set the thermostat

knob to ensure an average of  $+5\text{ }^{\circ}\text{C}$  ( $40^{\circ}\text{F}$ ) is achieved in the fridge and between  $-1.5\text{ }^{\circ}\text{C}$  and  $+3^{\circ}\text{C}$  is achieved in the Chiller Zone Compartment after 24 hours.

(Fig. 2) shows how you can switch off the appliance completely: Turn the thermostat knob to "0" (Zero) position.

The average temperature inside the fridge depends on the following factors:

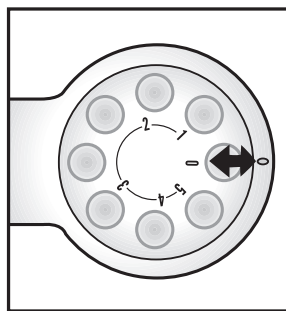
- Ambient temperature in the room (seasonal changes)
- Frequency of door opening
- Placing hot food inside the product
- Position of the product

We recommend that you check the temperature with an accurate thermometer to ensure that the storage compartments are kept to the desired temperature.

Remember you must take your reading very quickly since the thermometer temperature will rise very rapidly after you remove it from the appliance.

Please remember each time the door is opened cold air escapes and the internal temperature rises. Therefore never leave the door open and ensure it is closed immediately after food is put in or removed.

In case of a temporary ice build up in the fridge compartment, reduce the thermostat setting to 1. Once the ice build up disappears and the appliance starts auto defrosting again as normal, then you may increase the thermostat setting, if required.



### CHILLER ZONE COMPARTMENT DRAWER

Chiller Zone Compartment Drawer is ideal for storage of fresh fish, meat and easily perishable food like cooked chilled food. In order to best utilise this compartment, we recommend the following;



Monitor the temperature using an accurate fridge thermometer to ensure that the storage temperature is in the following range; approximately between -1.5 degrees C and +3 degrees C. Below thermostat setting positions are suggested to start with;

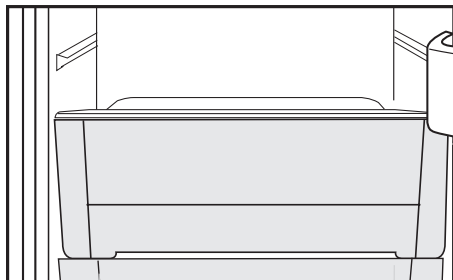
Approximate ambient temperature in the room where the appliance is (degrees C)	Suggested thermostat knob setting range *
10 degrees C	1 to 2
16 degrees C	1 1/2 to 2 1/2
20 degrees C	2 to 3
25 degrees C	2 1/2 to 3 1/2
32 degrees C	2 1/2 to 4

If above settings could not maintain the required temperatures, then adjust the thermostat knob accordingly; to obtain a colder temperature, turn the thermostat knob towards 5 and vice versa.

\*Also see factors affecting temperature inside the fridge on page 8 and adjust it accordingly to suit your specific situation.

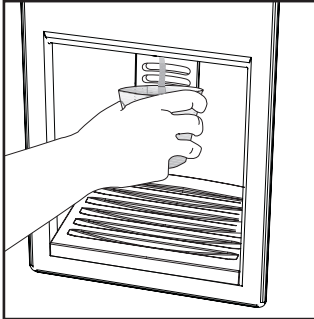
**Warning!**

Do not remove this glass shelf; otherwise Chiller Zone Compartment will not function to specifications.



## Water dispenser

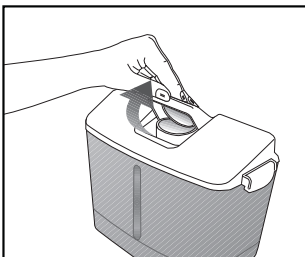
Water dispenser is a very useful feature to obtain chilled water without opening the door of your fridge. Since you do not have to open the door of your fridge frequently, you also save on electricity.



### Using the water dispenser

Push in the lever of the water dispenser with your glass. By releasing the lever, you cut off the dispensing.

When operating the water dispenser, maximum flow is achieved by fully depressing the lever. Please note, how much water flows from the dispenser depends on how far you depress the lever. As the level of water in your cup / glass rises, gently reduce the amount of pressure on the lever to avoid overflow. If you depress the lever a small amount, then water will trickle; this is perfectly normal and is not a fault.

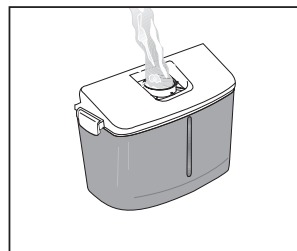


### Filling in the water tank of water dispenser

Open the cap of the water tank as illustrated in the figure. Fill in with pure and clean drinking water. Close the cap.

### Caution!

- Do not fill water tank with any liquid other than drinking water; beverages such as fruit juice, carbonated fizzy soda drinks, alcoholic drinks are not suitable for use with water dispenser. If such liquids are used, the water dispenser will malfunction and may be damaged beyond repair. The guarantee does not cover such uses. Some chemical ingredients and additives in such drinks / beverages may also attack and damage water tank material.
- Only use clean pure drinking water.
- Capacity of water dispenser tank is 2.2 litres [3.8 pints], do not overfill.
- Push the water dispenser lever with a rigid cup. If you are using a plastic disposable cup, then push the lever with your fingers from behind the cup.



## Cleaning the water tank

Remove the water tank, open the latches on both sides and detach the top cover mechanism from the water tank. Clean the water tank with warm clean water, reinstall the top cover mechanism and fasten the latches.

When installing the water tank, make sure that hooks behind it fits securely into the hangers on the door. Make sure that parts removed during cleaning (if any) are installed correctly into their original locations. Otherwise, water may leak.

### Important:

Water tank and components of water dispenser are not dishwasher-proof.

## Water tray

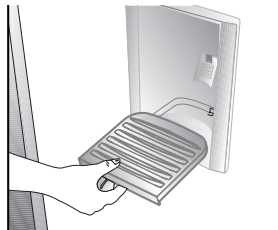
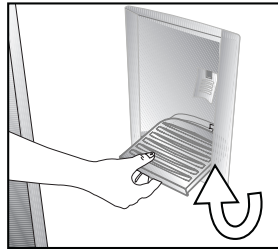
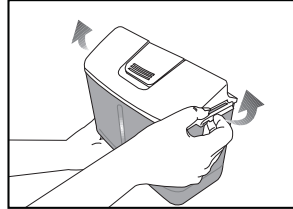
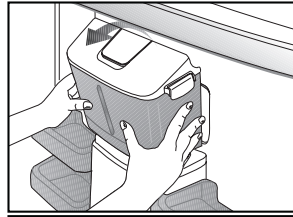
Water that drips while using the water dispenser accumulates in the drip tray housing. Remove the drip tray firstly pressing up from the front edge then pulling towards yourself. Then clean drip housing by a fabric or sponge that has water absorption tendency.

## Safety lock for Water Dispenser

You may use the lock in order to avoid small children tampering with the water dispenser. To do this, slide the locking latch from left to right as illustrated in the figure. You must slide the latch back to left position in order to use the water dispenser.

To avoid accidental water dispensing, we recommend you to lock the water dispenser.

**Maximum height of glass suitable for use with Stored Water Dispenser is 16 cm which includes most of the "Standard" pint glasses.**



## 6 Maintenance and cleaning

---

\*\* We recommend that you switch off the appliance at the socket outlet and pull out the mains plug before cleaning.

\*\* Never use any sharp abrasive instrument, soap, household cleaner, detergent and wax polish for cleaning.

\*\* Use luke warm water to clean the cabinet of the appliance and wipe it dry.

\*\* Use a damp cloth wrung out in a solution of one teaspoon of bicarbonate of soda to one pint of water to clean the interior and wipe it dry.

\*\* Make sure that no water enters the temperature control box.

\*\* If the larder refrigerator is not going to be used for a long period of time switch it off, remove all food, clean it and leave the door ajar.

\*\* Any dust that gathers on the condenser, which is located at the back of the appliance, should be removed once a year with a vacuum cleaner.

\*\* Check door seals regularly to ensure they are clean and free from food particles.

\*\* Removal of door rack :

\*\* To remove a door rack, remove all the contents and then simply push the door tray upwards from the base.

\*\* Make sure that the special plastic container (drain tray) at the back of the appliance which collects defrost water is clean at all times. If you want to remove the tray to clean it follow the instructions below :

- Switch off at the socket outlet and pull out the mains plug.
- Push the lug down with the tip of a screw driver & pull out firmly.
- Clean the drain tray and wipe it dry.
- Reassemble reversing the sequence and operations.

\*\* Removal of Chiller Zone Compartment Drawer:

Pull it out as far as possible and then lift up and remove it completely. Should the light fail to work switch off at the socket outlet and pull out the mains plug.

Use a cross headed screw driver to remove the light diffuser cover.

Then ensure the bulb is screwed in until it is secure in the bulb holder.

Replace the plug and switch on.

If the bulb functions, reassemble by reversing the above procedure, ensure the top cover is in place.

## 7 Do's and Don'ts

---

Dont- Clean your larder refrigerator regularly.

Dont- Keep raw meat and poultry below cooked food and dairy products and ideally in the chiller zone compartment drawer.

Dont- Keep food for as short a time as possible and adhere to 'Best Before' and "Use By" dates.

Dont- Take off any unusable leaves on vegetables and wipe off any soil.

Dont- Leave lettuce, cabbage, parsley and cauliflower on the stem.

Dont- Wrap cheese firstly in greaseproof paper and then in a polythene bag excluding as much air as possible.

Dont- Wrap meat, fish and offal in polythene bags.

Dont- Wrap bread well to keep it fresh..

Dont- Chill white wines, beer, lager and mineral water before serving.

Dont- Bananas in your fridge.

Dont- Melon in your fridge. It can be chilled for short periods as long as it is wrapped to avoid it flavouring other food.

Dont- The door open for long periods as this will make the larder refrigerator more costly to run.

Dont- Poisonous or any dangerous substances in the larder refrigerator. Your larder refrigerator has been

designed for the storage of edible foodstuffs only.

Dont- Consume food which has been stored for an excessive time in the larder refrigerator.

Dont- Store cooked and fresh food together in the same container. They should be packaged and stored separately..

Dont- Let defrosting food or food juices drip onto food in your larder refrigerator.

### PROBLEM SOLVING

If the appliance does not operate when switched on, check whether:

- The plug is inserted properly in the socket and that the power supply is on. (To check the power supply to the socket, plug in another appliance)
- The fuse has blown/circuit breaker has tripped/main distribution switch has been turned off.
- The temperature control has been set correctly.
- New plug is wired correctly if you have changed the fitted moulded plug.

If the appliance is still not operating after the above checks, please refer to the section on "How To Obtain Service".

Please ensure that above checks have been made as a charge will be made if no fault is found.

## HOW TO OBTAIN SERVICE

**Please keep your purchase receipt or other proof of purchase in a safe place; you will need to have it should the product require attention under guarantee.**

You should also complete the details below; it will help us assist you when requesting service. (The model number is printed on the Instruction Booklet and the serial number is printed on the Rating Label affixed to the appliance)

**Model No:            Serial No:            Retailer:            Date of purchase:**

**For service under guarantee simply telephone the appropriate number below**

### **UK Mainland & Northern Ireland**

Fridges & Freezers	0845 6004903
Electric Cookers	0845 6004902
Gas & Dual Fuel Cookers	0845 6004905
Washing Machines & Dishwashers	0845 6004906

### **Republic of Ireland**

All Refrigeration, All Cookers Washing Machines & Dishwashers	01 862 3411
--	-------------

**Before requesting service please check the trouble-shooting guide in the Operating Instructions as a charge may be levied where no fault is found even though your product may still be under guarantee.**

### **Service once the manufacturers guarantee has expired.**

If you have purchased an extended guarantee please refer to the instructions contained within the extended guarantee agreement document. Otherwise please call the appropriate number above where service can be obtained at a charge.

Should you experience any difficulty in obtaining service please contact the Beko Customer Help-Line. Tel: 0845 6004911 e-mail: [service@beko.co.uk](mailto:service@beko.co.uk)

## GUARANTEE DETAILS

Your new Beko product is guaranteed against the cost of breakdown repair for twelve months from the date of the original purchase.

### What is covered?

- Repairs necessary as a result of faulty materials, defective components or manufacturing defect.
- The cost of functional replacement parts, but excluding consumable items.
- The labour costs of a Beko approved repairer to carry out the repair.

### What is not covered?

- Transit, delivery or accidental damage or misuse and abuse.
- Cabinet or appearance parts, including knobs, flaps, handles or container lids.
- Accessories or consumable items including but not limited to, ice trays, scrapers, cutlery baskets, filters and light bulbs.
- Repairs required as a result of unauthorised repair or inexperienced installation that fails to meet the requirements contained in the user instruction book.
- Repairs to products used on commercial or non-residential household premises.
- Loss of frozen food in freezers or fridge/freezers. (Food loss insurance is often included within your household contents insurance policy, or may be available separately from your retailer).

### Important notes.

- Your Beko product is designed and built for domestic household use only.
- The guarantee will be void if the product is installed or used in commercial or non-residential domestic household premises.
- The product must be correctly installed, located and operated in accordance with the instructions contained in the User Instructions Booklet provided.
- Professional installation by a qualified Electrical Domestic Appliance Installer is recommended for all Washing Machines, Dishwashers and Electric Cookers
- Gas Cookers must only be installed by a Gas Safe (or BORD GAIS) registered Gas Installer.
- The guarantee is given only within the boundaries of the United Kingdom and the Republic of Ireland.
- The guarantee is applicable only to new products and is not transferable if the product is resold.
- Beko disclaims any liability for incidental or consequential damages.  
The guarantee does not in anyway diminish your statutory or legal rights.

# BEKO



BEKO plc  
Beko House  
Caxton Way  
Watford  
Hertfordshire  
WD18 8UF  
Tel: 0845 6004911  
Fax: 0845 6004922  
e-mail: [service@beko.co.uk](mailto:service@beko.co.uk)  
website: [www.beko.co.uk](http://www.beko.co.uk)

Printed in Turkey

Part no: **48 9724 0001**  
Revision no: **AA**



## Free Manuals Download Website

<http://myh66.com>

<http://usermanuals.us>

<http://www.somanuals.com>

<http://www.4manuals.cc>

<http://www.manual-lib.com>

<http://www.404manual.com>

<http://www.luxmanual.com>

<http://aubethermostatmanual.com>

Golf course search by state

<http://golfingnear.com>

Email search by domain

<http://emailbydomain.com>

Auto manuals search

<http://auto.somanuals.com>

TV manuals search

<http://tv.somanuals.com>